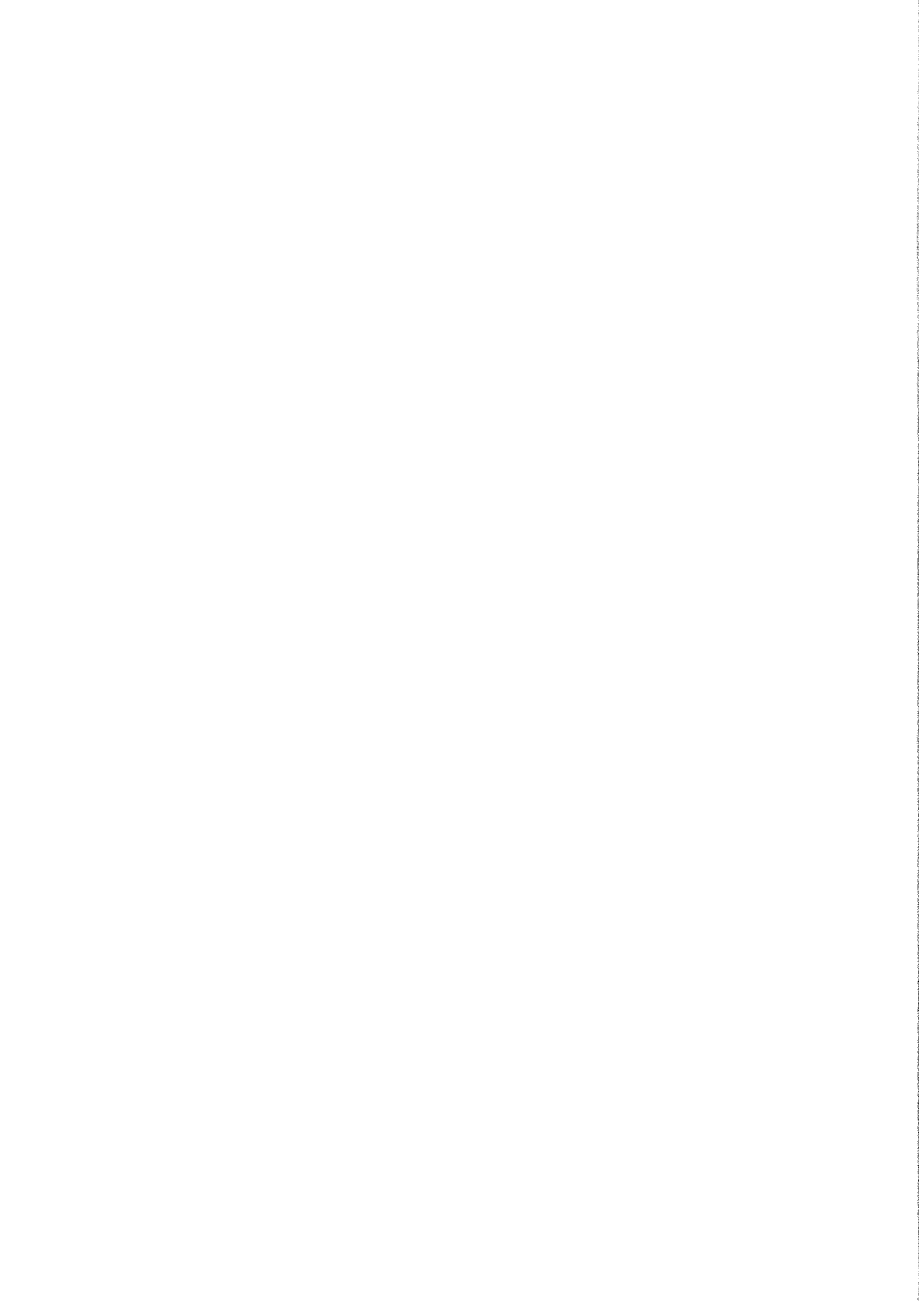


# CONTENTS

## UNIPLUS 2400 SPARE PARTS

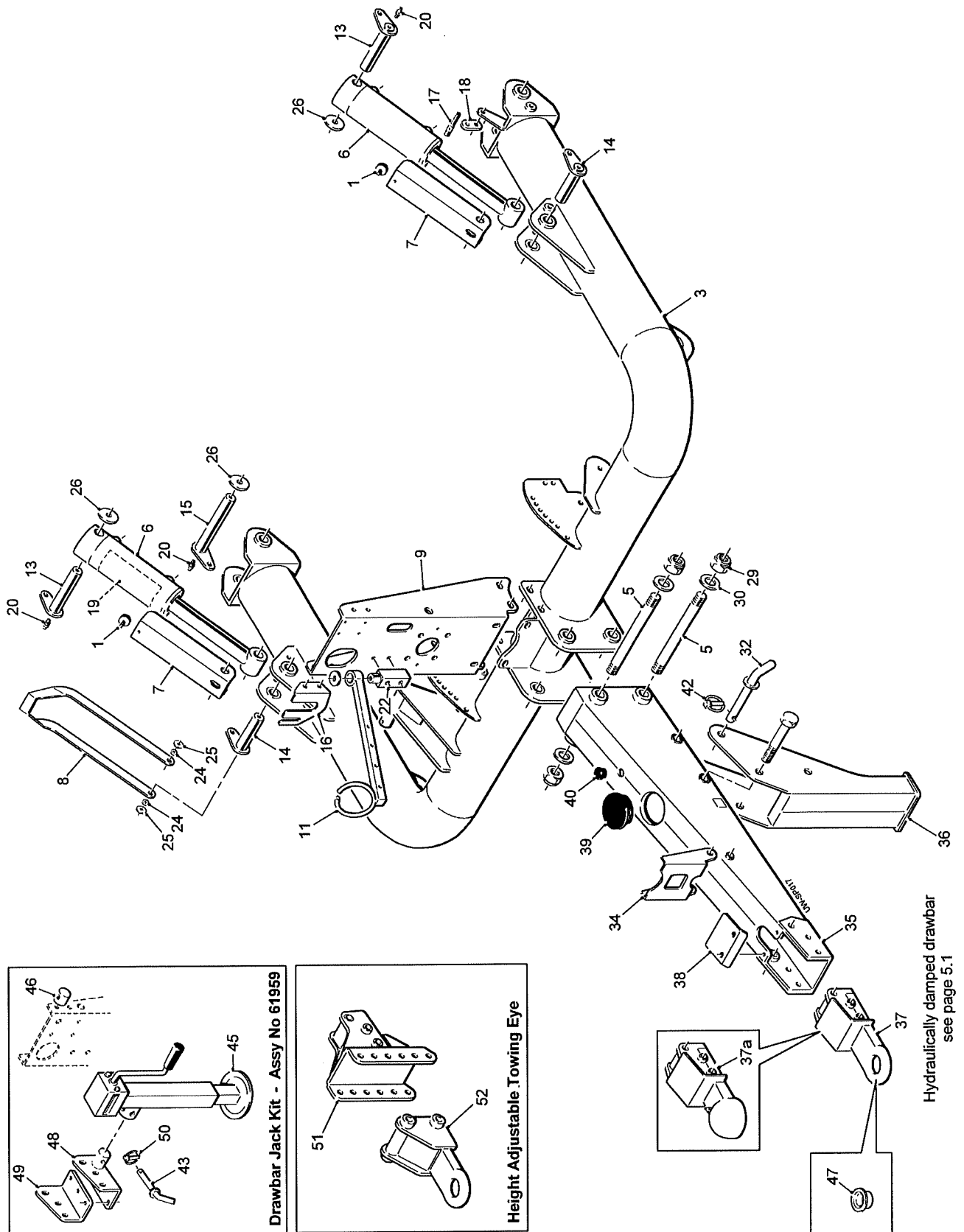
Front Chassis	3.1
Rear Chassis	3.2
Axle Assembly	3.4
Guards Assembly	3.5
Depth Roller Assembly	3.6
Disc Assemblies	3.7
Share Assemblies	3.8
Star Shafts 1 & 2	3.9
Star Shafts 3 & 4	3.10
Star Shafts 5,6,7,8,9 & 10	3.11
Inner Side Panel Assemblies	3.12
Underweb Assembly	3.14
Cross Conveyor Assembly	3.16
Input Drives	4.1
Belt Drives and Bearing Plates	4.2
Hydraulic Assembly	4.3
Electrical Assembly	4.4
Road Lights	4.5
Hydraulically Damped Drawbar	5.1
Rear Agitator Assembly (with eccentric rollers)	5.2
Front Agitator Assembly (with eccentric rollers)	5.2
Rear Agitator Assembly (with plain rollers)	5.3
Vari-Flow Assembly	5.4
Hydraulic Clod Mat Assembly	5.5
Boulder Box Assembly	5.6
Manual Draper Web Assembly	5.8
Electric Draper Web Assembly	5.8
Intake Web Assembly	5.9
Stone Elevator (with swan neck)	5.16
Stone Elevator Hydraulics (with swan neck)	5.17

**Note:** When using the following pages to order replacement parts, please quote the full serial number of your machine.



Machines from 2019

## Front Chassis



## 3.1a

## UNIPLUS 2400 SPARE PARTS

Machines from 2019

## Front Chassis

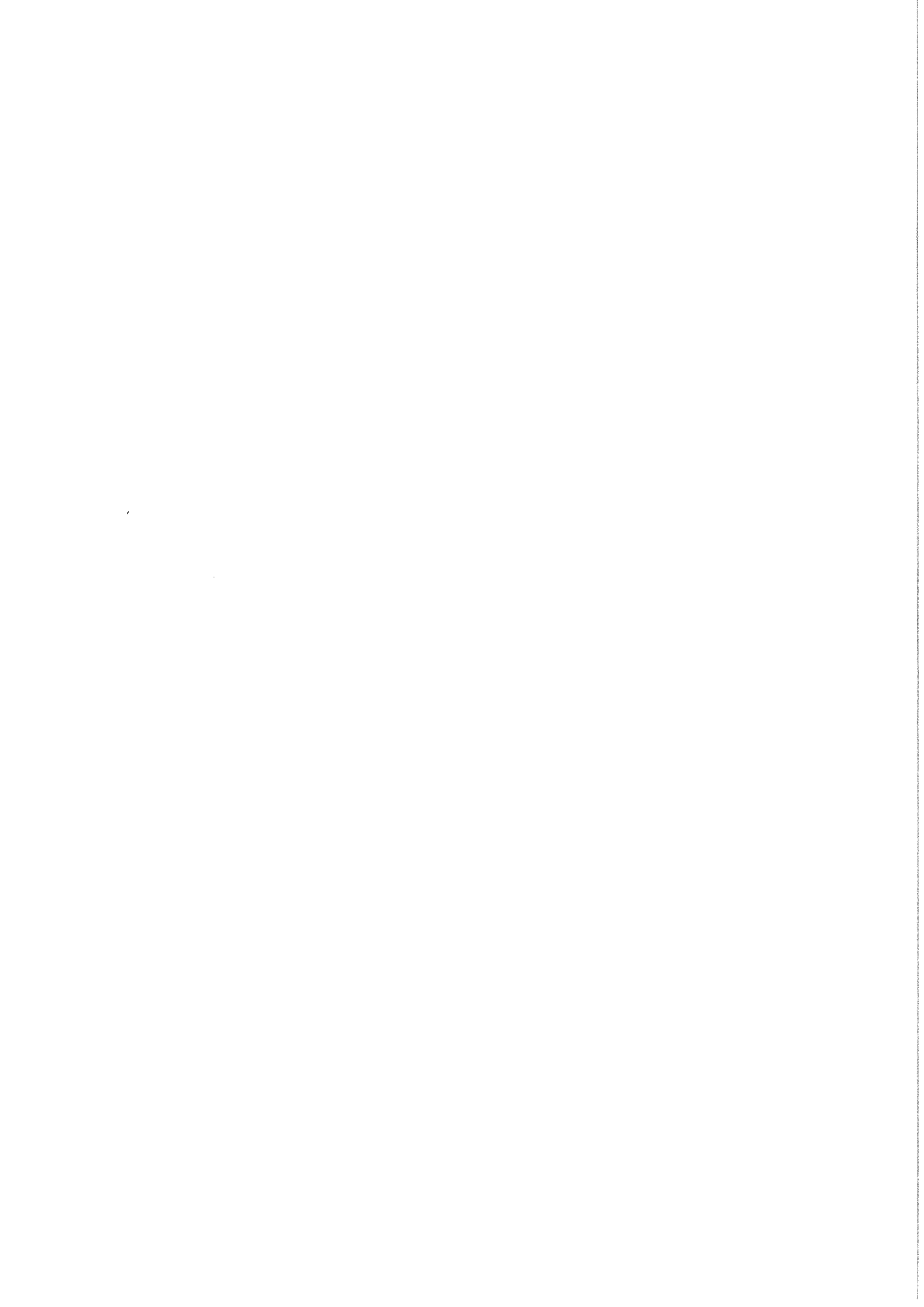
Item	Part No.	Description	Qty.	Remarks
1	43288	Ø25 Rubber Bump Stop	2	
2				
3	57563	Front Chassis Beam (2400mm)	1	
4				
5	57124	Drawbar Pin	2	
6	57135	Hydraulic Ram	2	
7	57186	Depth Ram Lock Plate	2	
8	57266	Depth Ram Indicator	1	
9	61732	Bearing Housing Mounting Plate	1	
10				
11	59570	Hose Support Arm	1	
12				
13	61230	Ram Pin (top)	2	
14	61231	Ram Pin (bottom)	2	
15	61233	Chassis Pivot Pin	2	
16	61514	Hose Support Plate	1	
17	36124	Proximity Sensor	1	Vari-Flow only
18	68077	Sensor Mounting Plate	1	Vari-Flow only
19	RPC632.305158	Depth Indicator Decal	1	
20	RPC648.081250	M8 Grease Nipple Straight	4	
21				
22	RPS230	Pivot Block	1	
23				
24	SS016011/005	Steel Spacer	2	
25	SS025011/003	Steel Spacer	2	
26	SS040013/005	Steel Spacer	4	
27				
28				
29	22041030	M30 Nyloc Nut	4	
30	22046030	M30 Flat Washer	4	
31				
32	57183	Stand Pin	1	
33				
34	61871A	PTO Rest	1	
35	61891	Drawbar	1	
36	61893	Stand	1	
37	61894	Towing Eye	1	
37a	68031	Spoon Hitch	1	Option
38	61895	Cover Plate	1	
39	61900	Blanking Plug	1	
40	61901	Grommet	1	
41				
42	REK215	Linchpin	1	
	<b>61959</b>	<b>Drawbar Jack Kit Consists Of:</b>		
43	41060	Pin	1	
44				
45	61024	Jack	1	
46	61025	Stowage Spigot	1	
47	61957	Towing Eye Bush	1	
48	68157	Mounting Bracket	1	Part was 61958
49	68158	Mountng Plate	1	
50	REK215	Linchpin	1	

**UNIPLUS 2400 SPARE PARTS****3.1b**

Machines from 2019

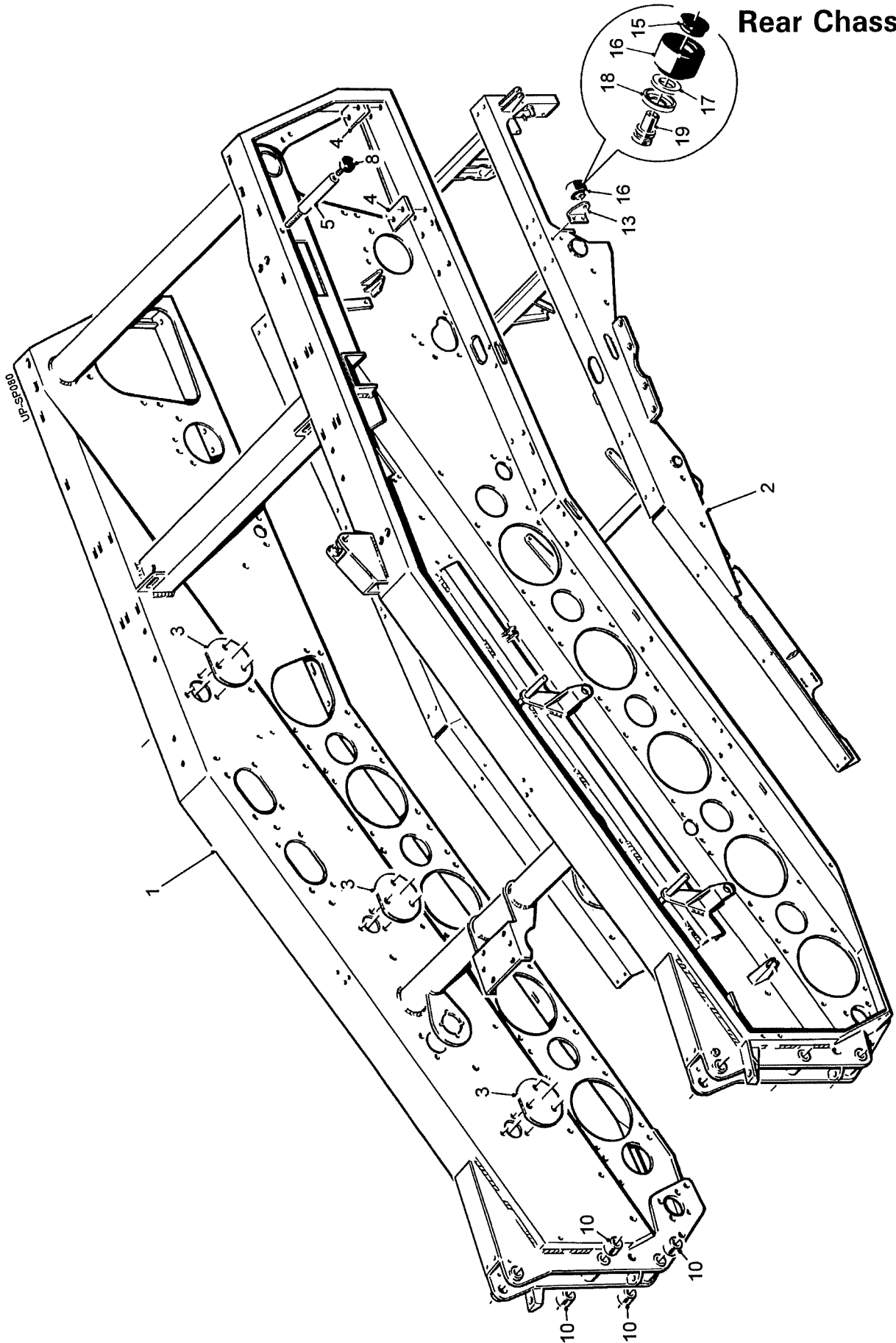
**Front Chassis**

Item	Part No.	Description	Qty.	Remarks
51	68072	Height Adjustable Towing Eye	1	
52	RPA610.300014	Consists Of: Towing Eye Mounting	1	
		Towing Eye	1	



Machines from 2019

Rear Chassis



**3.2a****UNIPLUS 2400 SPARE PARTS**

Machines from 2019

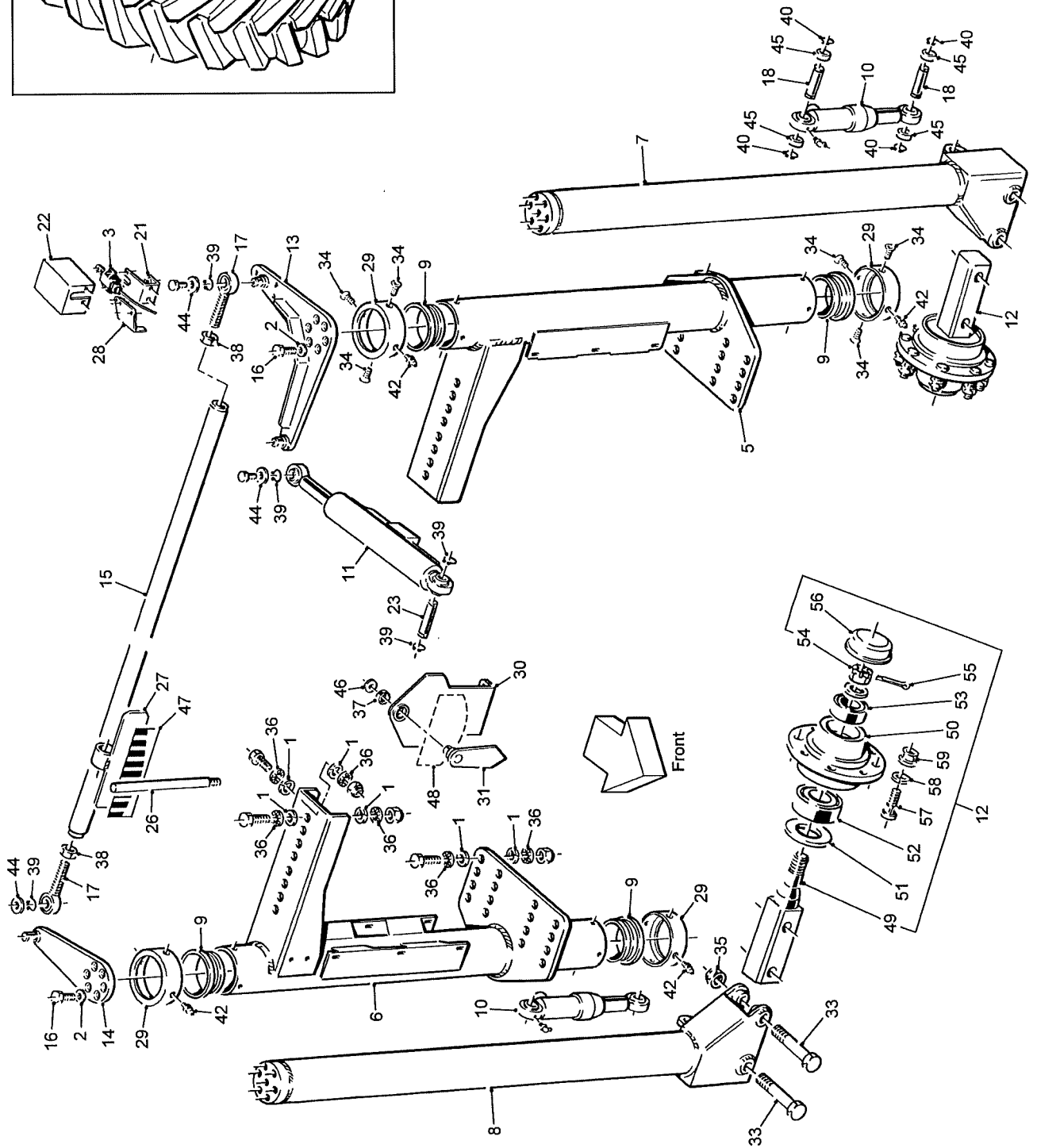
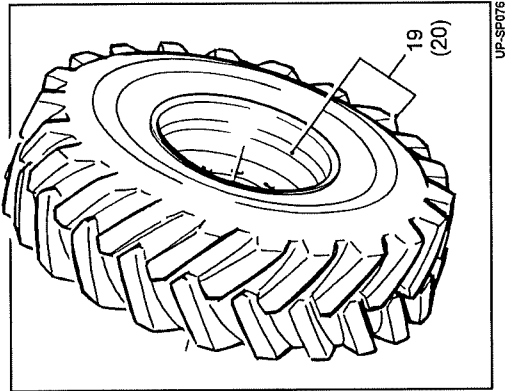
**Rear Chassis**

Item	Part No.	Description	Qty.	Remarks
1	57562	Rear Chassis (2400mm)	1	
2	57578	Bottom Frame (2400mm)	1	
3	57285	Blanking Plate	6	
4	57764A	Clamp Plate	2	
5	57829	Bump Stop Mounting	1	
6				
7				
8	DW901922	Ø50 Rubber Bump Stop	1	
9				
10	RPB250.303440	Bush	8	
11				
12				
13	68280	Roller Bracket	1	
14				
15	RPC620.303070	Cap	1	
16	RPC700.300148	Plain Roller c/w Bearings	1	
17	RPGM070.00446	Felt Seal	1	
18	RPGM089.00565	Roller Shield	1	
19	RPM180.303071	Pivot Bush	1	



Machines from 2019

## Axle Assembly Assy No 57587A



**3.4a****UNIPLUS 2400 SPARE PARTS**

Machines from 2019

**Axle Assembly**

Assy No 57587A

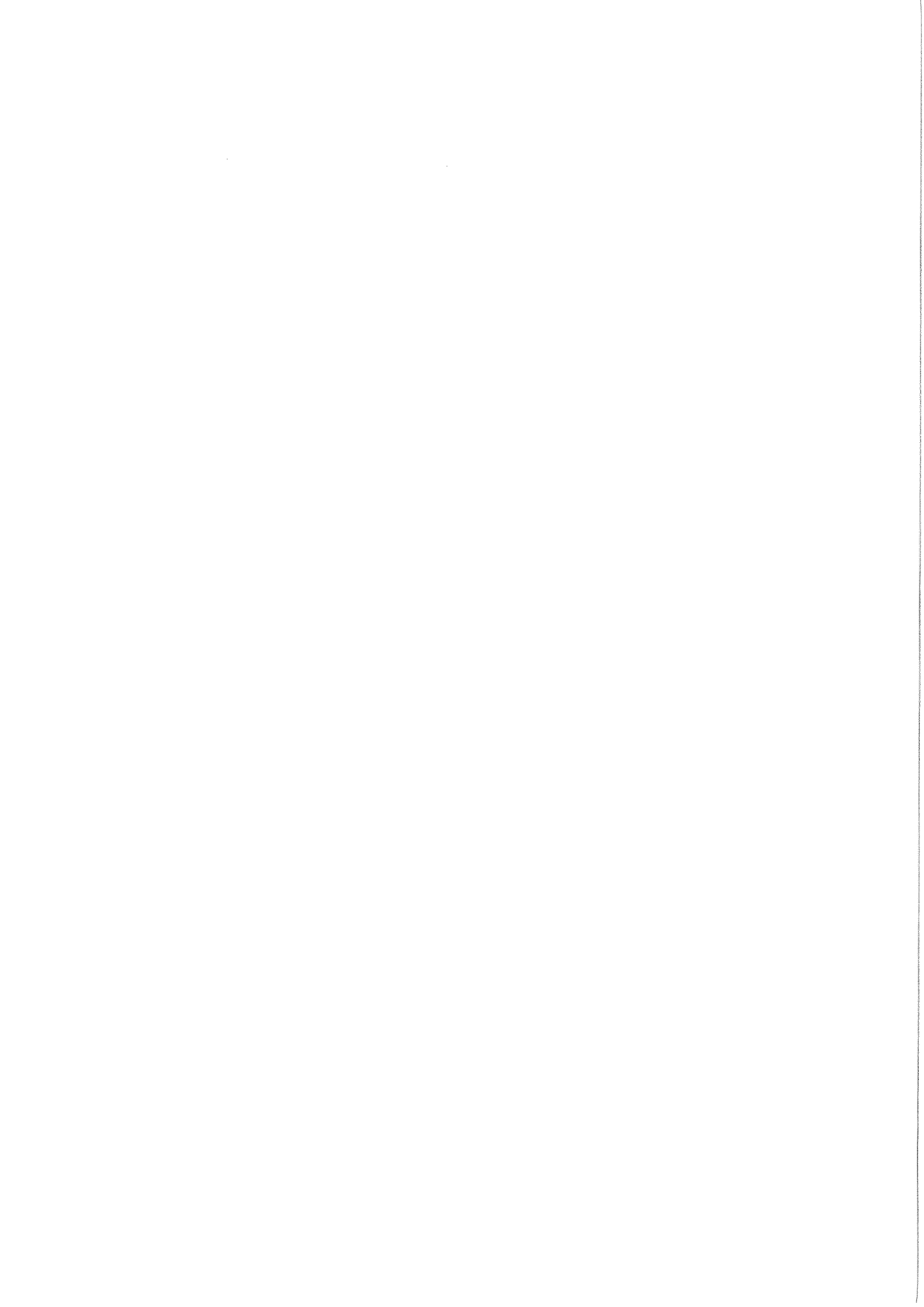
Item	Part No.	Description	Qty.	Remarks
1	42059A/8	M20 Spherical Spring Washer	32	
2	23255	M18 Spherical Spring Washer	12	
3	56320	Steering Sensor	1	
4				
5	61262	LH Outer Pillar	1	
6	61263	RH Outer Pillar	1	
7	61264	LH Inner Pillar	1	
8	61265	RH Inner Pillar	1	
9	57025	Axle Bush	4	
10	57028	Hydraulic Ram	2	
11	61285A	Hydraulic Ram	1	
12	57030	Stub Axle Complete	2	(see list at end)
13	57031	LH Steering Arm	1	
14	57032	RH Steering Arm	1	
15	57576	Track Rod	1	2.7m wheelings
	61219	Track Rod	1	2.5m wheelings
16	22123018/050	M18x50 Setscrew(grade 10.9)	12	
17	57035	Male Rod End	2	
18	57069	Ram Pin	4	
19	57450	LH 14.5x20 Trackgrip Tyre c/w Rim	1	Option
	57716	LH 18-19.5 Trackgrip Tyre c/wRim	1	Option
20	57451	RH 14.5x20 Trackgrip Tyre c/w Rim	1	Option
	57717	RH 18-19.5 Trackgrip Tyre c/wRim	1	Option
21	57152	Sensor Plate	1	
22	57154	Sensor Cover	1	
23	57161	Ram Pin	1	
24				
25				
26	57267	Steering Indicator Pin	1	
27	57686	Steering Indicator Plate	1	
28	57763	Sensor Arm Lug	1	
29	61267	Bush Retainer	4	
30	61000	Level Indicator Mounting	1	
31	61001	Pointer	1	
32				
33	22012030/200	M30x200 Bolt	4	
34	22016008/016	M8x16 CSK Socket Head Screw	12	
35	22041030	M30 Nyloc Nut	4	
36	22121020	M20 Nordlock Washer	32	
37	60052RS	Bearing	1	
38	22034024	M24 Half Nut	2	
39	RPF200.025200	Ø25 External Circlip	5	
40	RPF200.030200	Ø30 External Circlip	8	
41	RPC648.061002	M6 Grease Nipple 90°	2	
42	RPC648.081250	M8 Grease Nipple Straight	4	
43				
44	SS030011/005	Steel Spacer	3	
45	SS040031/008	Steel Spacer	8	
46	SS035011/002	Steel Spacer	1	
47	TR468	Steering Indicator Decal	1	
48	TR270	Level Indicator Decal	1	

**UNIPLUS 2400 SPARE PARTS****3.4b**

Machines from 2019

**Axle Assembly****Assy No 57587A**

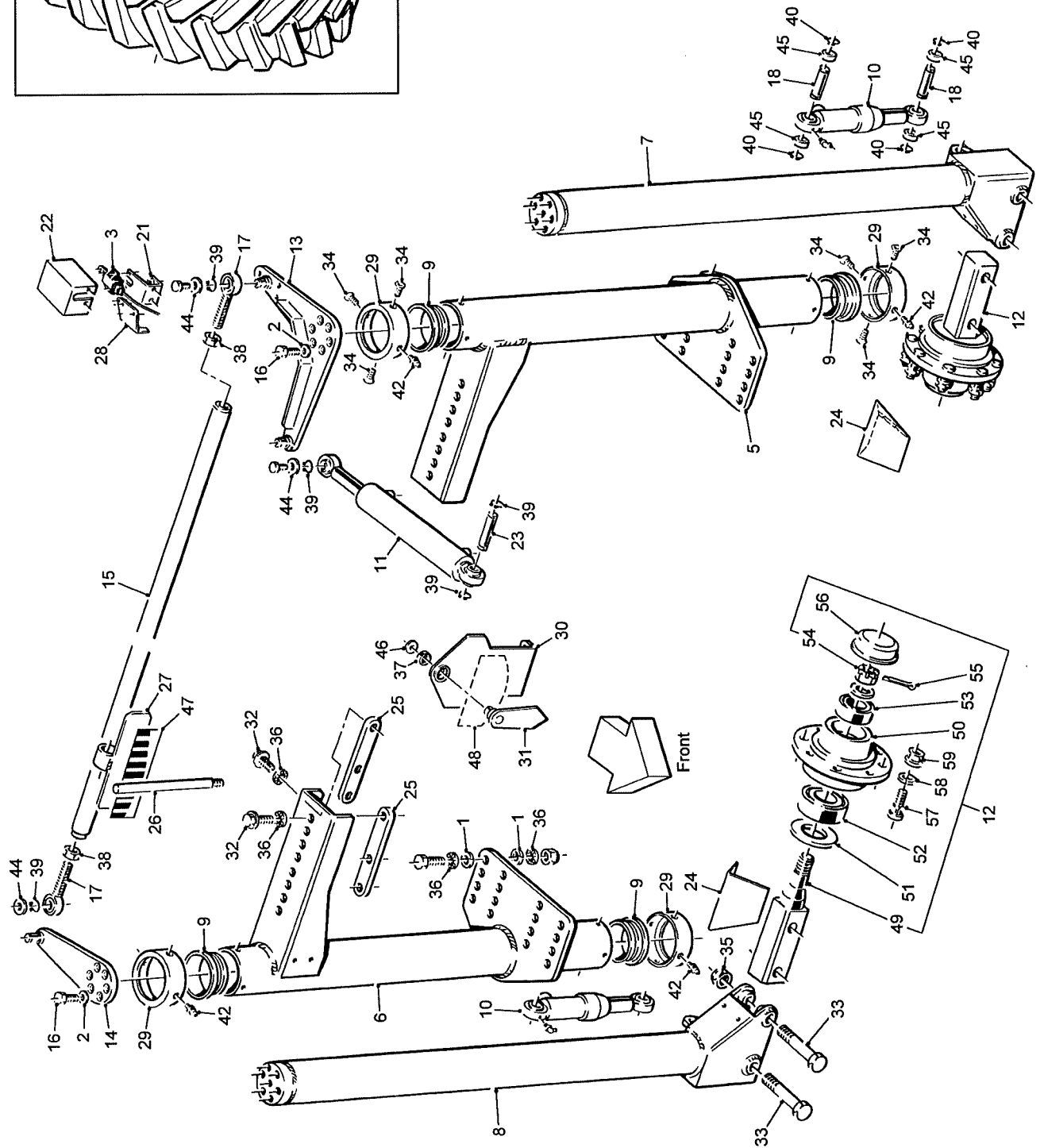
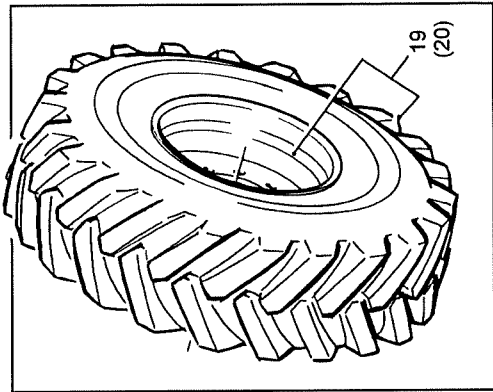
<b>Item</b>	<b>Part No.</b>	<b>Description</b>	<b>Qty.</b>	<b>Remarks</b>
	<b>57030</b>	<b>Stub Axle Complete Consists Of:</b>		
49	-	Stub Axle	1	
50	52028/1X/1	Hub	1	
51	52028/1X/2	Retaining Ring	1	
52	52028/1X/3	Bearing (inner)	1	
53	52028/1X/4	Bearing (outer)	1	
54	52028/1X/5	Castellated Nut	1	
55	52028/1X/6	Split Pin	1	
56	52028/1X/7	End Cap	1	
57	42059A/7	Wheel Stud	8	
58	42059A/8	Spring Washer	8	
59	42059A/9	Wheel Nut	8	



Machines from 2020

## Axle Assembly

Assy No 57587A



**3.4a****UNIPLUS 2400 SPARE PARTS**

Machines from 2020

**Axle Assembly**

Assy No 57587A

Item	Part No.	Description	Qty.	Remarks
1	42059A/8	M20 Spherical Spring Washer	16	
2	23255	M18 Spherical Spring Washer	12	
3	56320	Steering Sensor	1	
4				
5	61262	LH Outer Pillar	1	
6	61263	RH Outer Pillar	1	
7	61264	LH Inner Pillar	1	
8	61265	RH Inner Pillar	1	
9	57025	Axle Bush	4	
10	57028	Hydraulic Ram	2	
11	61285C	Hydraulic Ram	1	Supersedes 61285A
12	57030	Stub Axle Complete	2	(see list at end)
13	57031	LH Steering Arm	1	
14	57032	RH Steering Arm	1	
15	57576	Track Rod (2.7m wheelings)	1	With 18-19.5 tyres
	68060	Track Rod (2.7m wheelings)	1	With 14.5x20 tyres
	61219	Track Rod (2.5m wheelings)	1	
16	22123018/050	M18x50 Setscrew(grade 10.9)	12	
17	57035	Male Rod End	2	
18	57069	Ram Pin	4	
19	57450	LH 14.5x20 Trackgrip Tyre c/w Rim	1	Option
	57716	LH 18-19.5 Trackgrip Tyre c/wRim	1	Option
20	57451	RH 14.5x20 Trackgrip Tyre c/w Rim	1	Option
	57717	RH 18-19.5 Trackgrip Tyre c/wRim	1	Option
21	57152	Sensor Plate	1	
22	57154	Sensor Cover	1	
23	57161	Ram Pin	1	
24	68240	Stone Deflector	2	
25	68076A	Clamp Plate (3 threaded holes)	4	
26	57267	Steering Indicator Pin	1	
27	57686	Steering Indicator Plate	1	
28	57763	Sensor Arm Lug	1	
29	61267	Bush Retainer	4	
30	61000	Level Indicator Mounting	1	
31	61001	Pointer	1	
32	22132020/040	M20x40 Flanged Head Set Screw	8	
33	22012030/200	M30x200 Bolt	4	
34	22016008/016	M8x16 CSK Socket Head Screw	12	
35	22041030	M30 Nyloc Nut	4	
36	22121020	M20 Nordlock Washer	24	
37	60052RS	Bearing	1	
38	22034024	M24 Half Nut	2	
39	RPF200.025200	Ø25 External Circlip	5	
40	RPF200.030200	Ø30 External Circlip	8	
41	RPC648.061002	M6 Grease Nipple 90°	2	
42	RPC648.081250	M8 Grease Nipple Straight	4	
43				
44	SS030011/005	Steel Spacer	3	
45	SS040031/008	Steel Spacer	8	
46	SS035011/002	Steel Spacer	1	
47	TR468	Steering Indicator Decal	1	
48	TR270	Level Indicator Decal	1	

**UNIPLUS 2400 SPARE PARTS****3.4b**

Machines from 2020

**Axle Assembly****Assy No 57587A**

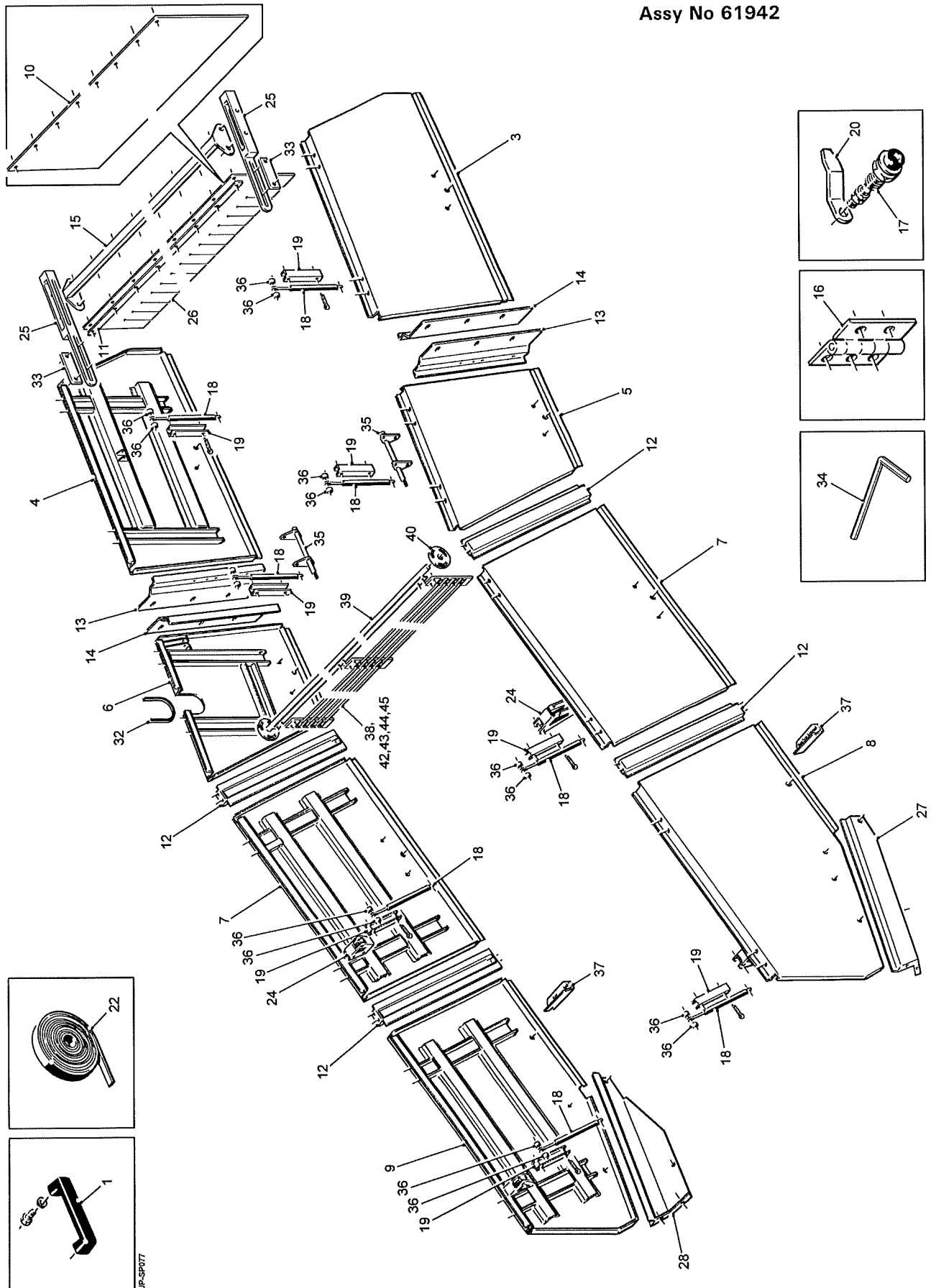
<b>Item</b>	<b>Part No.</b>	<b>Description</b>	<b>Qty.</b>	<b>Remarks</b>
	<b>57030</b>	<b>Stub Axle Complete Consists Of:</b>		
49	-	Stub Axle	1	
50	52028/1X/1	Hub	1	
51	52028/1X/2	Retaining Ring	1	
52	52028/1X/3	Bearing (inner)	1	
53	52028/1X/4	Bearing (outer)	1	
54	52028/1X/5	Castellated Nut	1	
55	52028/1X/6	Split Pin	1	
56	52028/1X/7	End Cap	1	
57	42059A/7	Wheel Stud	8	
58	42059A/8	Spring Washer	8	
59	42059A/9	Wheel Nut	8	





Machines from 2019

## Guards Assembly Assy No 61942



## 3.5a

## UNIPLUS 2400 SPARE PARTS

Machines from 2019

## Guards Assembly

Assy No 61942

Item	Part No.	Description	Qty.	Remarks
1	50047	Guard Handle	8	
2				
3	57687	Guard 4 LH	1	
4	57688	Guard 4 RH	1	
5	57073	Guard 3 LH	1	
6	57074	Guard 3 RH	1	Used without Vari-flow
	57287	Guard 3 RH	1	Used with Vari-flow
7	57075	Guard 2	2	
8	57077	Guard 1 LH	1	
9	57078	Guard 1 RH	1	
10	57665	Rubber Curtain (2400mm)	1	Used without boulder box
11	57666	Clamp Strip (2400mm)	1	
12	57106A	Door Post	4	
13	61968B	Infill Panel	2	2.7m wheelings
14	61969B	Infill Panel	2	2.7m wheelings
15	57667	Curtain Mounting (2400mm)	1	
16	57195	Hinge	16	
17	57199	Guard Lock	10	
18	57200	Gas Strut	8	
19	57201	Strut Stay	8	
20	57219	Lock Arm	10	
21				
22	57221	Black Foam Tape	25m	
23				
24	57991	Gas Strut Bracket	2	
25	57288A	Mounting Bracket	2	Used with boulder box
26	61211	Rubber Curtain (2400mm)	1	Used with boulder box
27	57316	Closing Plate LH	1	
28	57317	Closing Plate RH	1	
29				
30				
31				
32	43227	Edging Trim	0.3m	Used with Vari-flow
33	61101	Retaining Plate	2	
34	-	8mm Allen Key	1	
35	61970	Gas Strut Support	2	
36	SS012010/010	Steel Spacer	16	
37	61228	Dirt Deflector	2	
	<b>57678</b>	<b>Fence Curtain Assembly Consists Of:</b>		Used without fence roller
38	57719	Web Curtain Assembly	1	
39	57720	Curtain Mounting Bar	1	
40	57721	Mounting Plate	1	
41				

**UNIPLUS 2400 SPARE PARTS****3.5b**

Machines from 2019

**Guards Assembly**

Assy No 61942

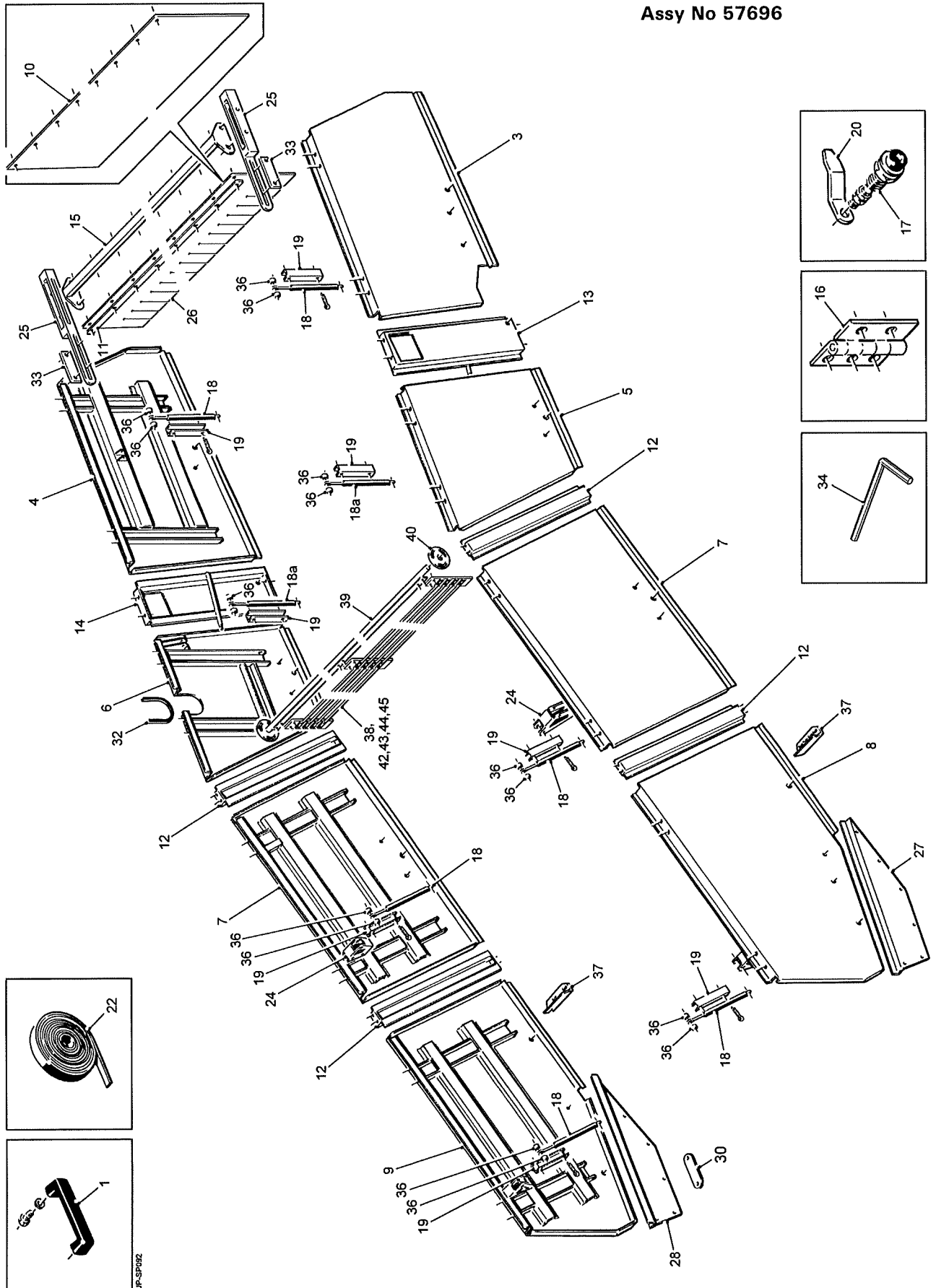
Item	Part No.	Description	Qty.	Remarks
42	57058/40/2	Web Belt	3	
43	57583/1	Web Rod	4	
44	12238/6	Web Rod Clamp Plate	18	
45	57058/3	Ø5.5x21 Rivet	24	



Machines from 2020

## Guards Assembly

Assy No 57696



## 3.5a

## UNIPLUS 2400 SPARE PARTS

Machines from 2020

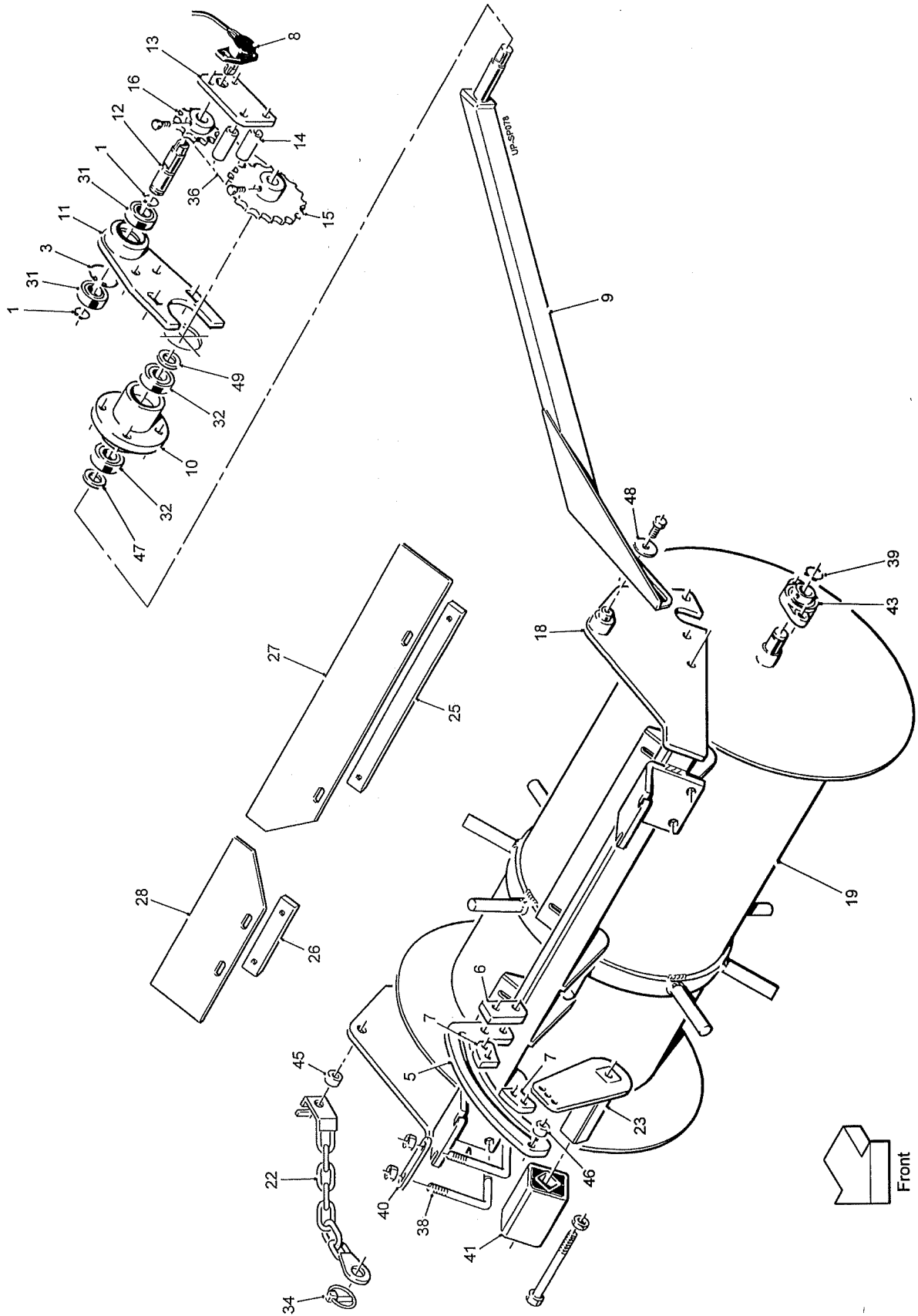
## Guards Assembly

Assy No 57696

Item	Part No.	Description	Qty.	Remarks
1	50047	Guard Handle	8	
2				
3	57687	Guard 4 LH	1	
4	57688	Guard 4 RH	1	
5	57073	Guard 3 LH	1	
6	57074	Guard 3 RH	1	Used without Vari-flow
	57287	Guard 3 RH	1	Used with Vari-flow
7	57075	Guard 2	2	
8	57077	Guard 1 LH	1	
9	57078	Guard 1 RH	1	
10	57665	Rubber Curtain (2400mm)	1	Used without boulder box
11	57666	Clamp Strip (2400mm)	1	
12	57106A	Door Post	4	
13	57697	Infill Panel LH	1	
14	57698	Infill Panel RH	1	
15	57667	Curtain Mounting (2400mm)	1	
16	57195	Hinge	16	
17	57199	Guard Lock	10	
18	57200	Gas Strut	6	Qty was x8
18a	58111	Gas Strut	2	
19	57201	Strut Stay	8	
20	57219	Lock Arm	10	
21				
22	57221	Black Foam Tape	25m	
23				
24	57991	Gas Strut Bracket	2	
25	57288A	Mounting Bracket	2	Used with boulder box
26	61211	Rubber Curtain (2400mm)	1	Used with boulder box
27	68083	Closing Plate LH	1	
28	68084	Closing Plate RH	1	
29				
30	61996	Cover Plate	1	
31				
32	43227	Edging Trim	0.3m	Used with Vari-flow
33	61101	Retaining Plate	2	
34	-	8mm Allen Key	1	
35				
36	SS012010/010	Steel Spacer	16	
37	68089	Dirt Deflector	2	
	<b>57678</b>	<b>Fence Curtain Assembly Consists Of:</b>		Used without fence roller
38	57719	Web Curtain Assembly	1	
39	57720	Curtain Mounting Bar	1	
40	57721	Mounting Plate	1	
41				
42	57058/40/2	Web Belt	3	
43	57583/1	Web Rod	4	
44	12238/6	Web Rod Clamp Plate	18	
45	57058/3	Ø5.5x21 Rivet	24	

Machines from 2019

## Depth Roller Assembly



**3.6a****UNIPLUS 2400 SPARE PARTS**

Machines from 2019

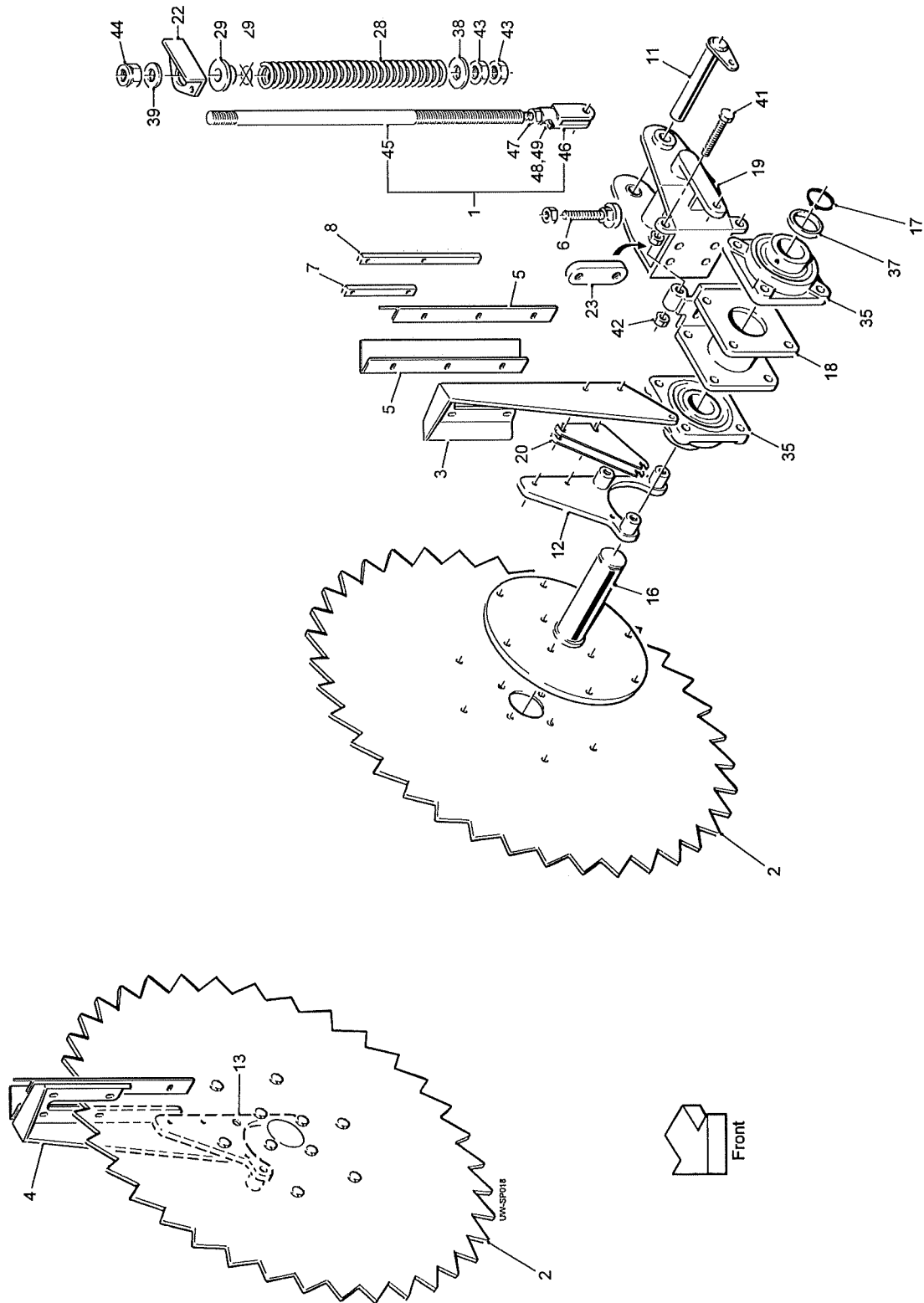
**Depth Roller Assembly**

Item	Part No.	Description	Qty.	Remarks
1	12298	Ø20 External Circlip	2	
2				
3	32338	Ø42 Internal Circlip	1	
4				
5	57357	Adjuster Plate	2	
6	57358	Spacer Plate	2	
7	57359	Stop Block	4	
8	57403	Rotary Transducer	1	
9	57729	Radius Arm (2400mm)	1	
10	57415	Bearing Housing	1	
11	57416	Tension Plate	1	
12	57417	Sensor Spindle	1	
13	57418	Sensor Plate	1	
14	57419	Spacer	2	
15	57420	32T 1/2"Pitch Sprocket	1	
16	57421	16T 1/2"Pitch Sprocket	1	
17				
18	57532A	Depth Roller Frame	1	
19	57531	Depth Roller (1200mm wide)	1	
20				
21				
22	61185A	Transport Chain	1	
23	61225	Quadrant Arm	2	
24				
25	61745A	Clamp Plate LH	1	
26	61746A	Clamp Plate RH	1	
27	61766A	Scraper LH	1	
28	61767A	Scraper RH	1	
29				
30				
31	6004RS	Bearing	2	
32	6005RS	Bearing	2	
33				
34	DW50934	Clip Pin	1	
35				
36	PH526/50	1/2"Pitch Drive Chain	1	
37				
38	RPF122.116115	M16 'L' Bolt	4	
39	RPF200.025200	Ø25 External Circlip	2	
40	RPGMRP025.01058	Keep Plate	2	
41	RPGMRP084.00001	Rubber Torsion Unit	2	
42				
43	SFT25	Bearing	2	
44				
45	SS020013/009	Steel Spacer	1	
46	SS025014/012	Steel Spacer	2	
47	SS038026/004	Steel Spacer	1	
48	SS040011/003	Steel Spacer	1	
49	SS040021/004	Steel Spacer	1	



Machines from 2019

## Disc Assemblies



## 3.7a

## UNIPLUS 2400 SPARE PARTS

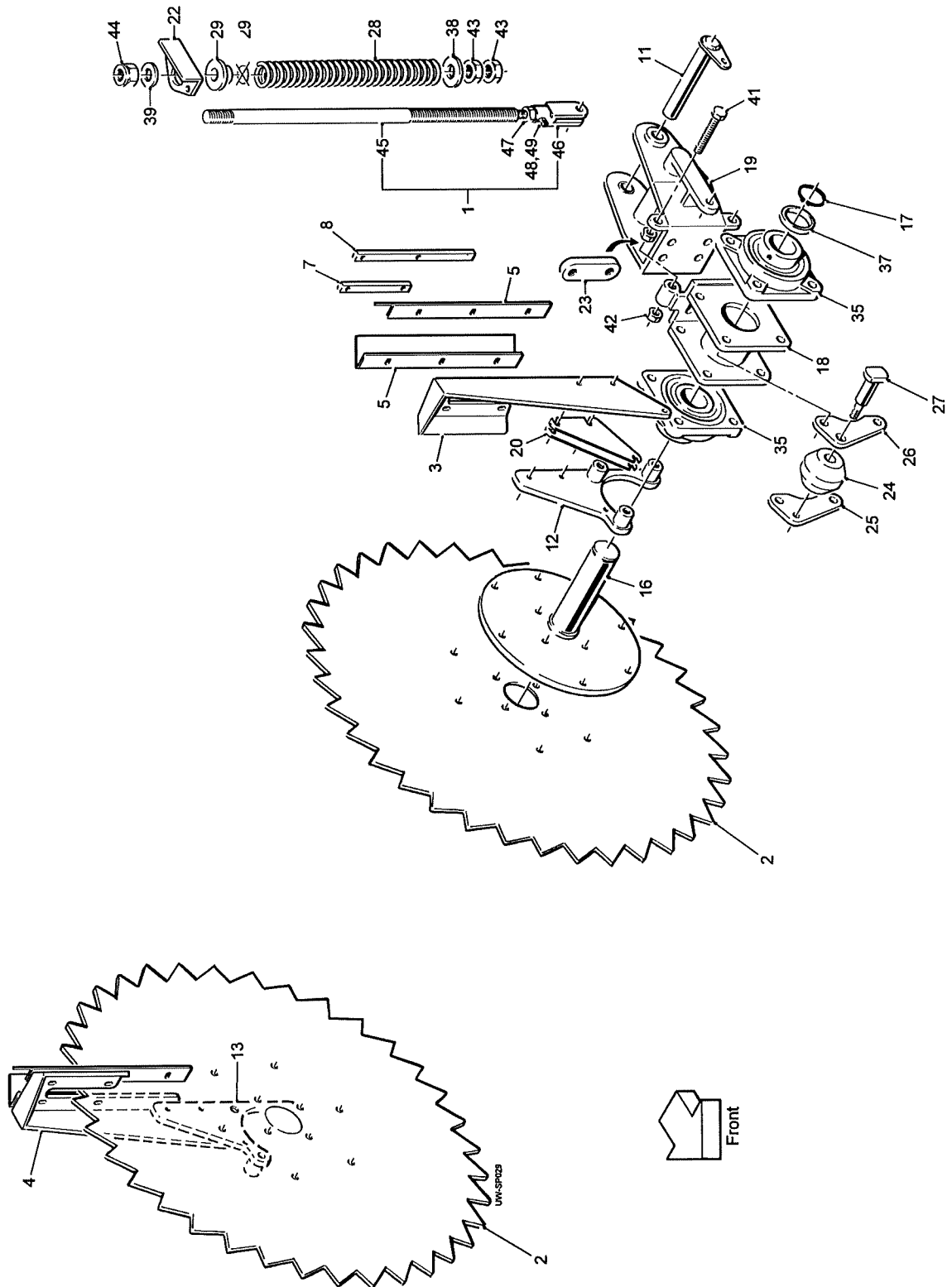
Machines from 2019

## Disc Assemblies

Item	Part No.	Description	Qty.	Remarks
1	61999	Tension Rod Complete	2	(see list at end)
2	57539	SawTooth Disc (Ø1140mm)	2	
3	57573	Scraper Mount LH	1	
4	57574	Scraper Mount RH	1	
5	57575	Scraper	4	
6	57740	Adjuster	2	
7	57741	Scraper Clamp Strip (short)	2	
8	57742	Scraper Clamp Strip (long)	2	
9				
10				
11	61233	Pivot Pin	2	
12	61782	Scraper Mounting LH	1	
13	61783	Scraper Mounting RH	1	
14				
15				
16	61741	Disc Spindle	2	
17	61750	Ø75 External Circlip	2	
18	61780	Disc Bearing Mount	2	
19	61781	Disc Mounting	2	
20	61784	3mm Shim	4	
21				
22	68049	Spacer Retainer	2	
23	68090	Clamp Plate	2	
24				
25				
26				
27				
28	RPC675.309312	Spring	2	
29	RPC700.309314	Spacer	2	
30				
31				
32				
33				
34				
35	SF75	Bearing	4	
36				
37	SS082076/012	Steel Spacer	2	
38	SS060028/004	Steel Spacer	2	
39	SS050031/005	Steel Spacer	2	
40				
41	22011020/160	M20x160 Setscrew	4	
42	22029020	M20 Full Nut	4	
43	22034027	M27 Half Nut	4	
44	22041027	M27 Nyloc Nut	2	
	<b>61999</b>	<b>Tension Rod Complete Consists Of:</b>		
45	61998	Spring Rod	1	
46	57279A	Rod End	1	
47	22034027	M27 Half Nut	1	
48	22018010/025	M10x25 Grubscrew	1	
49	22029010	M10 Plain Nut	1	

Machines from 2020

## Disc Assemblies



## 3.7a

## UNIPLUS 2400 SPARE PARTS

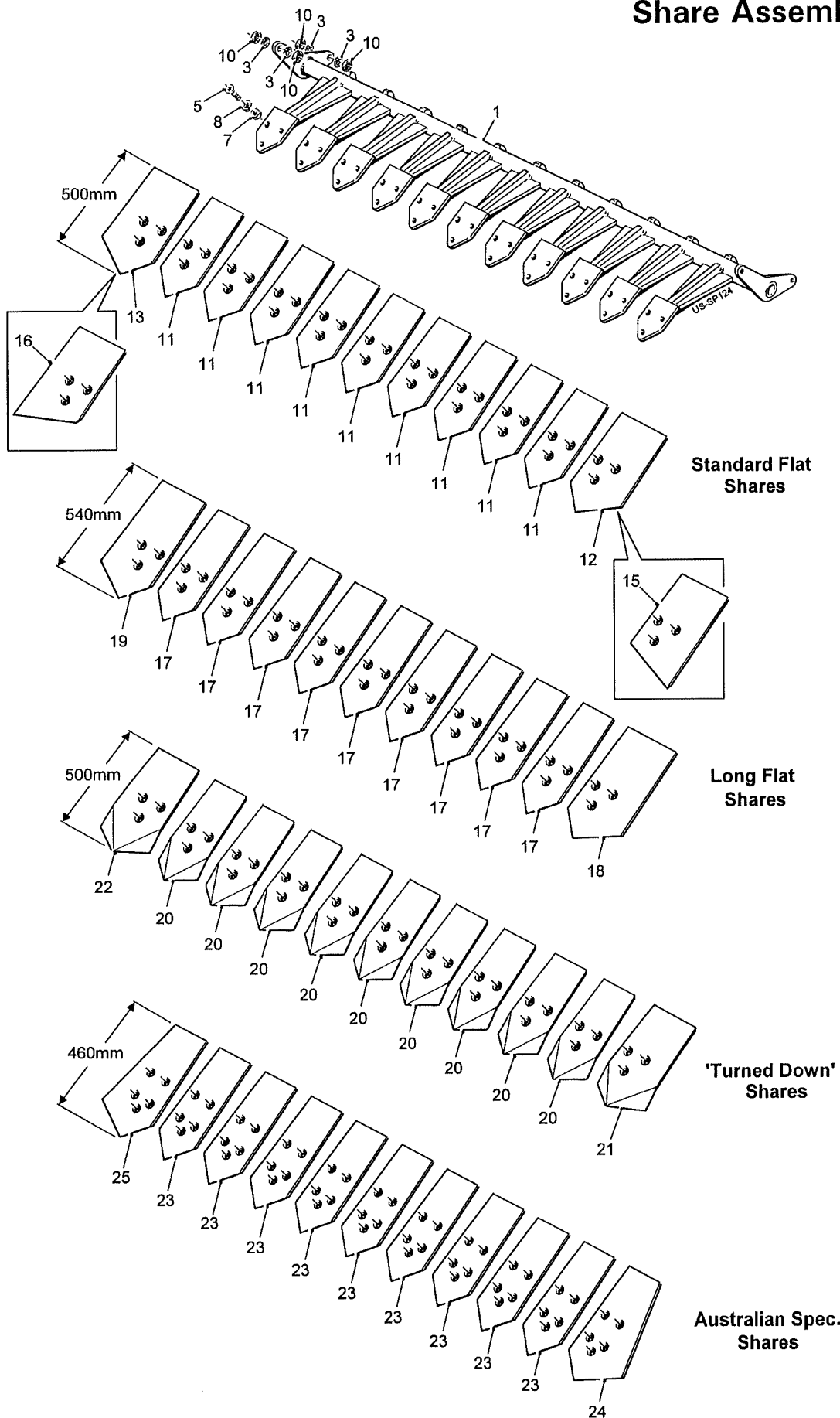
Machines from 2020

## Disc Assemblies

Item	Part No.	Description	Qty.	Remarks
1	61999	Tension Rod Complete	2	(see list at end)
2	57539	SawTooth Disc (Ø1140mm)	2	
3	57573	Scraper Mount LH	1	
4	57574	Scraper Mount RH	1	
5	57575	Scraper	4	
6				
7	57741	Scraper Clamp Strip (short)	2	
8	57742	Scraper Clamp Strip (long)	2	
9				
10				
11	61233	Pivot Pin	2	
12	61782	Scraper Mounting LH	1	
13	61783	Scraper Mounting RH	1	
14	68119	Retainer	2	
15				
16	61741	Disc Spindle	2	
17	61750	Ø75 External Circlip	2	
18	61780	Disc Bearing Mount	2	
19	61781	Disc Mounting	2	
20	61784	3mm Shim	4	
21				
22	68049	Spacer Retainer	2	
23	68090	Clamp Plate	2	
24	68126	Rubber Spring	2	
25	68127	Inner Plate	2	
26	68128	Outer plate	2	
27	68132	Shoulder Bolt	2	
28	RPC675.309312	Spring	2	
29	RPC700.309314	Spacer	2	
30				
31				
32				
33				
34				
35	SF75	Bearing	4	
36				
37	SS082076/012	Steel Spacer	2	
38	SS060028/004	Steel Spacer	2	
39	SS050031/005	Steel Spacer	2	
40				
41	22011020/160	M20x160 Setscrew	4	
42	22029020	M20 Full Nut	4	
43	22034027	M27 Half Nut	4	
44	22041027	M27 Nyloc Nut	2	
	<b>61999</b>	<b>Tension Rod Complete Consists Of:</b>		
45	61998	Spring Rod	1	
46	57279A	Rod End	1	
47	22034027	M27 Half Nut	1	
48	22018010/025	M10x25 Grubscrew	1	
49	22029010	M10 Plain Nut	1	

Machines from 2019

Share Assemblies



## 3.8a

## UNIPLUS 2400 SPARE PARTS

Machines from 2019

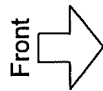
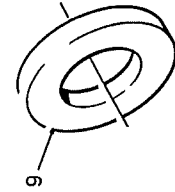
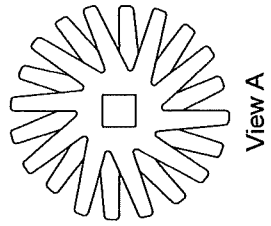
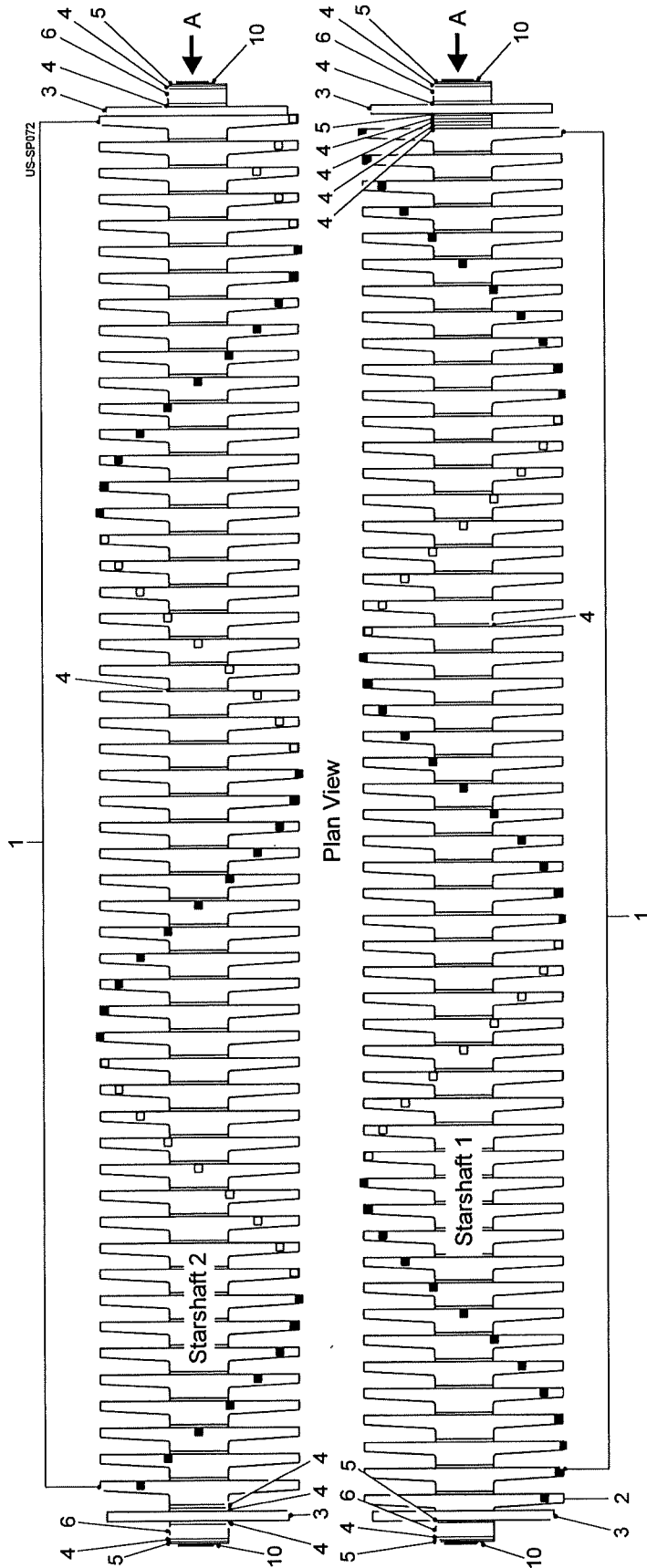
## Share Assemblies

Item	Part No.	Description	Qty.	Remarks
1	57577	Share Frame	1	
	61205	Share Frame	1	Australian spec m/c
2				
3	42059A/8	M20 Spring Washer	8	
4				
5	RPF134.112030	M12x30 CSK Socket Setscrew	33	
	22016012/040	M12x40 CSK Socket Setscrew	55	Australian spec m/c
6				
7	22029012	M12 Full Nut	33	
8	22052012	M12 Spring Washers	33	
10	22121020	M20 Nordlock Washer	8	
		<b>Standard Flat Shares Consist Of:</b>		
11	57437	Centre Share Blade	9	
12	57438	LH Share Blade	1	
13	57439	RH Share Blade	1	
14				
15	57543	LH Share Blade	1	Optional
16	57544	RH Share Blade	1	Optional
		<b>Long Flat Shares Consist Of:</b>		
17	57524	Centre Share Blade	9	
18	57525	LH Share Blade	1	
19	57526	RH Share Blade	1	
		<b>'Turned Down' Shares Consist Of:</b>		
20	57440	Centre Share	9	
21	57441	LH Share Blade	1	
22	57442	RH Share Blade	1	
		<b>Australian Spec. Shares Consists Of:</b>		
23	57762	Flat Share Blade	9	
24	61207	LH Share Blade	1	
25	61208	RH Share Blade	1	

Machines from 2019

Star Shafts 1 & 2

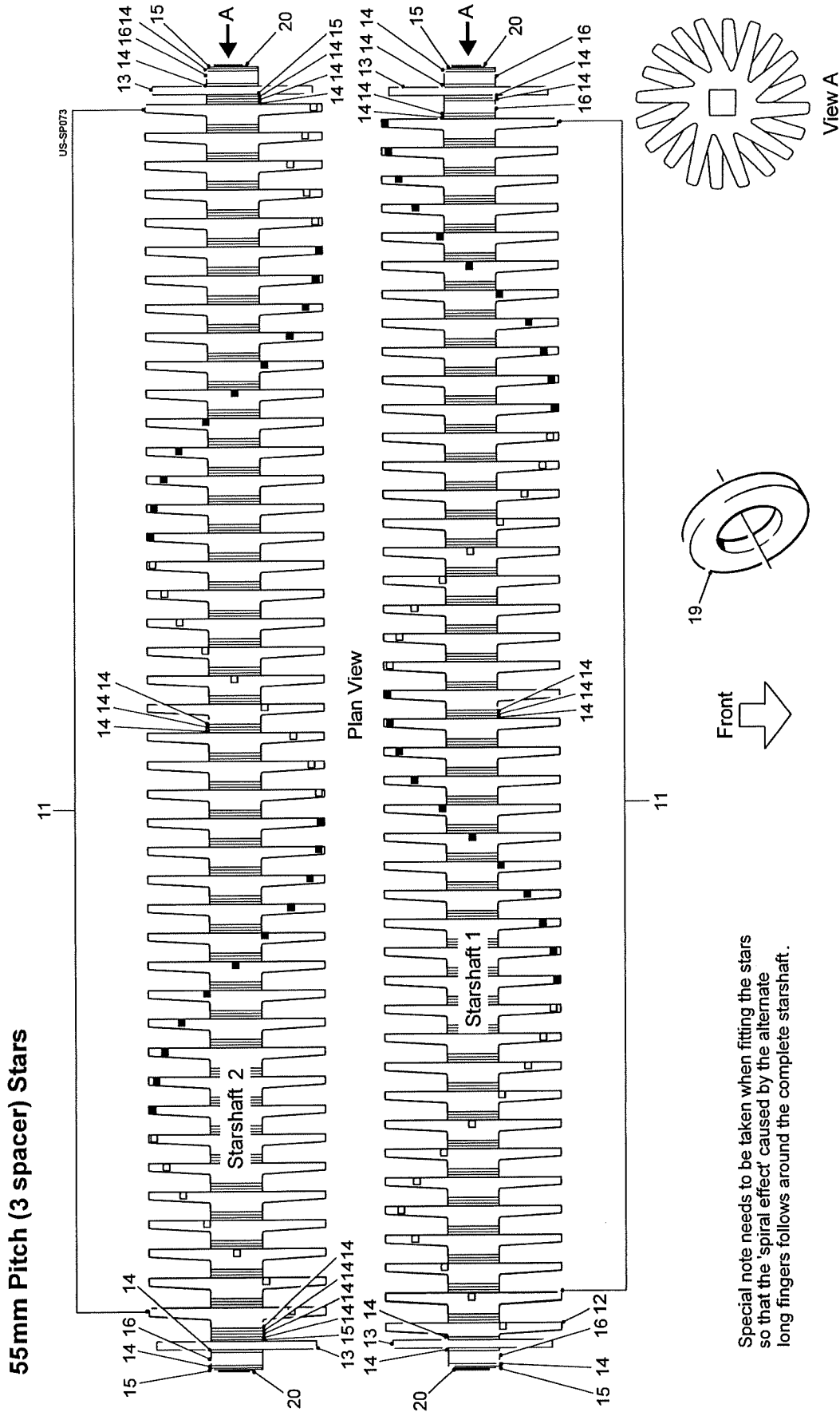
45mm Pitch (1 spacer) Stars



Special note needs to be taken when fitting the stars so that the 'spiral effect' caused by the alternate long fingers follows around the complete starshaft.

Machines from 2019

Star Shafts 1 & 2



Special note needs to be taken when fitting the stars so that the 'spiral effect' caused by the alternate long fingers follows around the complete starshaft.



**UNIPLUS 2400 SPARE PARTS****3.9b**

Machines from 2019

**Starshafts 1 & 2**

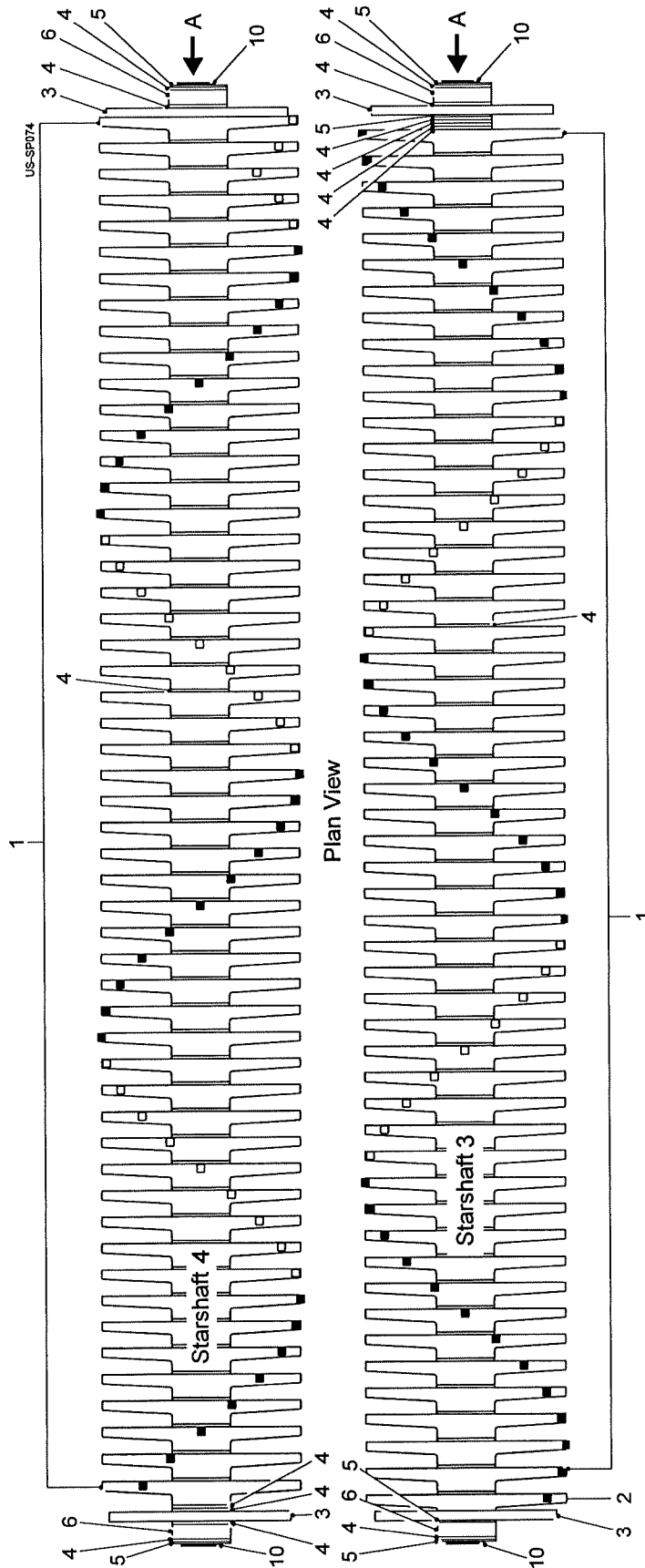
Item	Part No.	Description	Qty.	Qty.
		<b>45mm Pitch (1 spacer) Star</b>	<b>Shaft 1</b>	<b>Shaft 2</b>
		<b>Shafts Consist Of:</b>		
1	57329	10 Finger Star (40mm wide)	52	53
2	57330	10 Finger Star (30mm wide)	1	-
3	57369	Steel End Disc	2	2
4	57038	Plastic Spacer (5mm wide)	59	58
5	57039	Retaining Washer (2.6mm wide)	4	2
6	57324	Plastic Spacer (25mm wide)	2	2
7				
8				
9	57423	Spacer Ring (optional)	a/r	a/r
10	RPF200.060300	Ø60 External Circlip	2	2
		<b>55mm Pitch (3 spacer) Star</b>	<b>Shaft 1</b>	<b>Shaft 2</b>
		<b>Shafts Consist Of:</b>		
11	57329	10 Finger Star (40mm wide)	42	43
12	57330	10 Finger Star (30mm wide)	1	-
13	57369	Steel End Disc	2	2
14	57038	Plastic Spacer (5mm wide)	135	137
15	57039	Retaining Washer (2.6mm wide)	2	4
16	57324	Plastic Spacer (25mm wide)	3	2
17				
18				
19	57423	Spacer Ring (optional)	a/r	a/r
20	RPF200.060300	Ø60 External Circlip	2	2



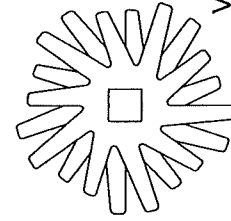
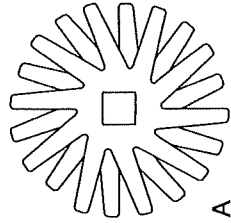
Machines from 2019

Star Shafts 3 & 4

45mm Pitch (1 spacer) Stars



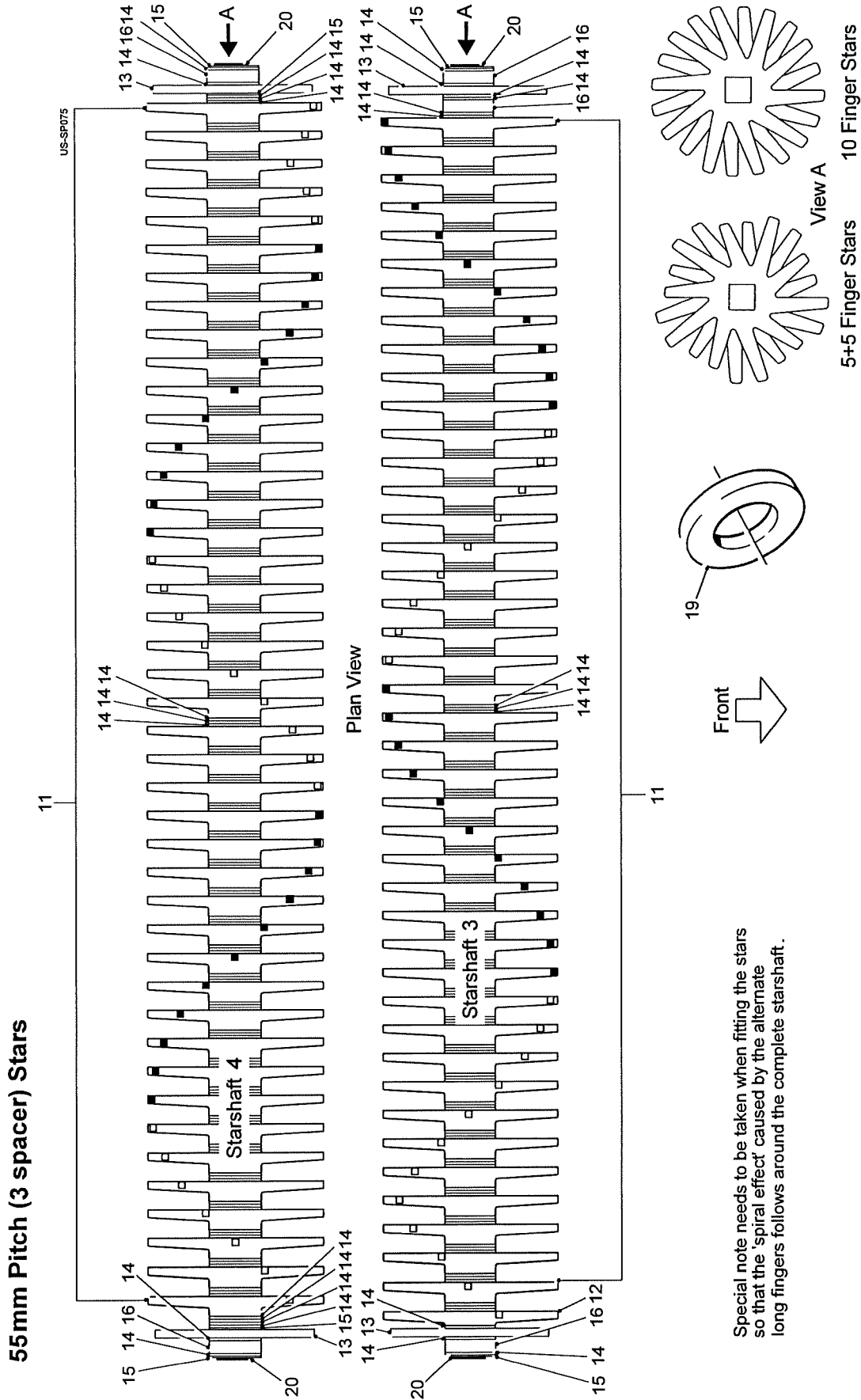
Front



Special note needs to be taken when fitting the stars so that the 'spiral effect' caused by the alternate long fingers follows around the complete starshaft.

Machines from 2019

Star Shafts 3 & 4



55mm Pitch (3 spacer) Stars

Special note needs to be taken when fitting the stars so that the 'spiral effect' caused by the alternate long fingers follows around the complete starshaft.

**UNIPLUS 2400 SPARE PARTS****3.10b**

Machines from 2019

**Starshafts 3 & 4**

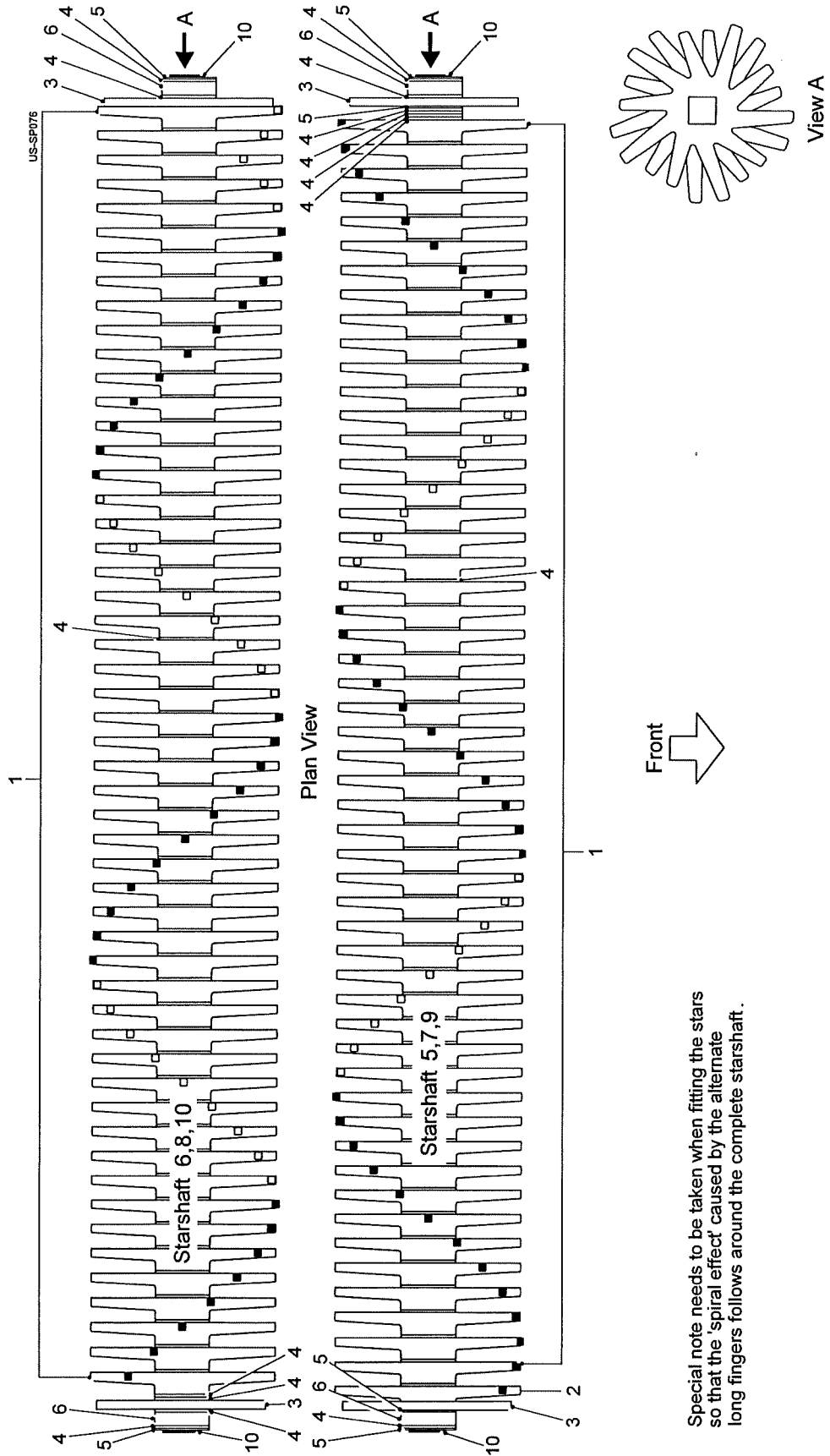
Item	Part No.	Description	Qty.	Qty.
		<b>45mm Pitch (1 spacer) Star</b>	<b>Shaft 3</b>	<b>Shaft 4</b>
		<b>Shafts Consist Of:</b>		
1	57001	5 + 5 Finger Star (40mm wide)	52	53
	57329	10 Finger Star (40mm wide)	52	53
2	57203	5 + 5 Finger Star (30mm wide)	1	-
	57330	10 Finger Star (30mm wide)	1	-
3	57369	Steel End Disc	2	2
4	57038	Plastic Spacer (5mm wide)	59	58
5	57039	Retaining Washer (2.6mm wide)	4	2
6	57324	Plastic Spacer (25mm wide)	2	2
7				
8				
9	57423	Spacer Ring (optional)	a/r	a/r
10	RPF200.060300	Ø60 External Circlip	2	2
		<b>55mm Pitch (3 spacer) Star</b>	<b>Shaft 3</b>	<b>Shaft 4</b>
		<b>Shafts Consist Of:</b>		
11	57001	5 + 5 Finger Star (40mm wide)	42	43
	57329	10 Finger Star (40mm wide)	42	43
12	57203	5 + 5 Finger Star (30mm wide)	1	-
	57330	10 Finger Star (30mm wide)	1	-
13	57369	Steel End Disc	2	2
14	57038	Plastic Spacer (5mm wide)	135	137
15	57039	Retaining Washer (2.6mm wide)	2	4
16	57324	Plastic Spacer (25mm wide)	3	2
17				
18				
19	57423	Spacer Ring (optional)	a/r	a/r
20	RPF200.060300	Ø60 External Circlip	2	2



Machines from 2019

Star Shafts 5, 6, 7, 8, 9 & 10

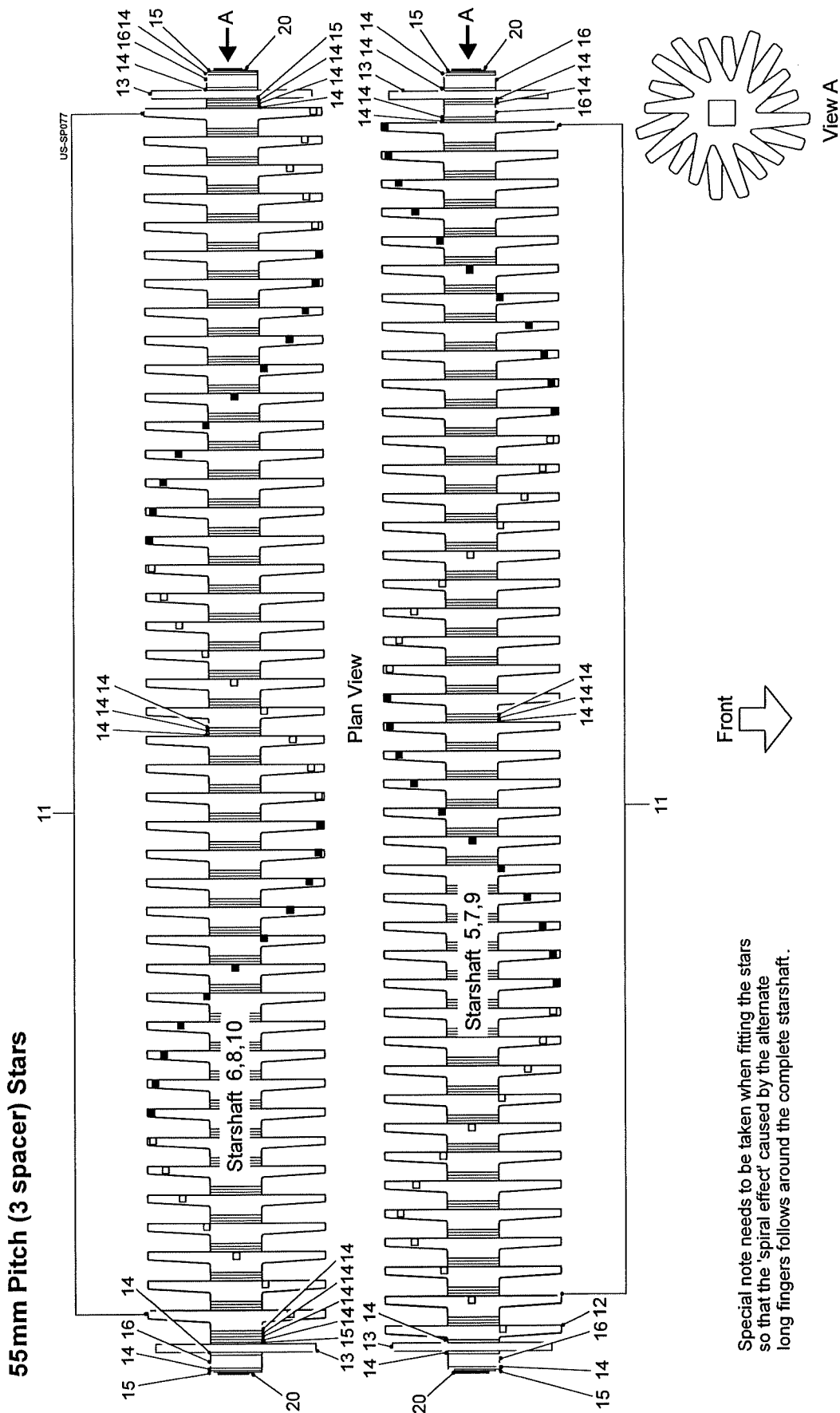
45mm Pitch (1 spacer) Stars



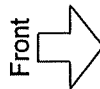
Special note needs to be taken when fitting the stars so that the 'spiral effect' caused by the alternate long fingers follows around the complete starshaft.

Machines from 2019

Star Shafts 5, 6, 7, 8, 9 & 10



Special note needs to be taken when fitting the stars so that the 'spiral effect' caused by the alternate long fingers follows around the complete starshaft.



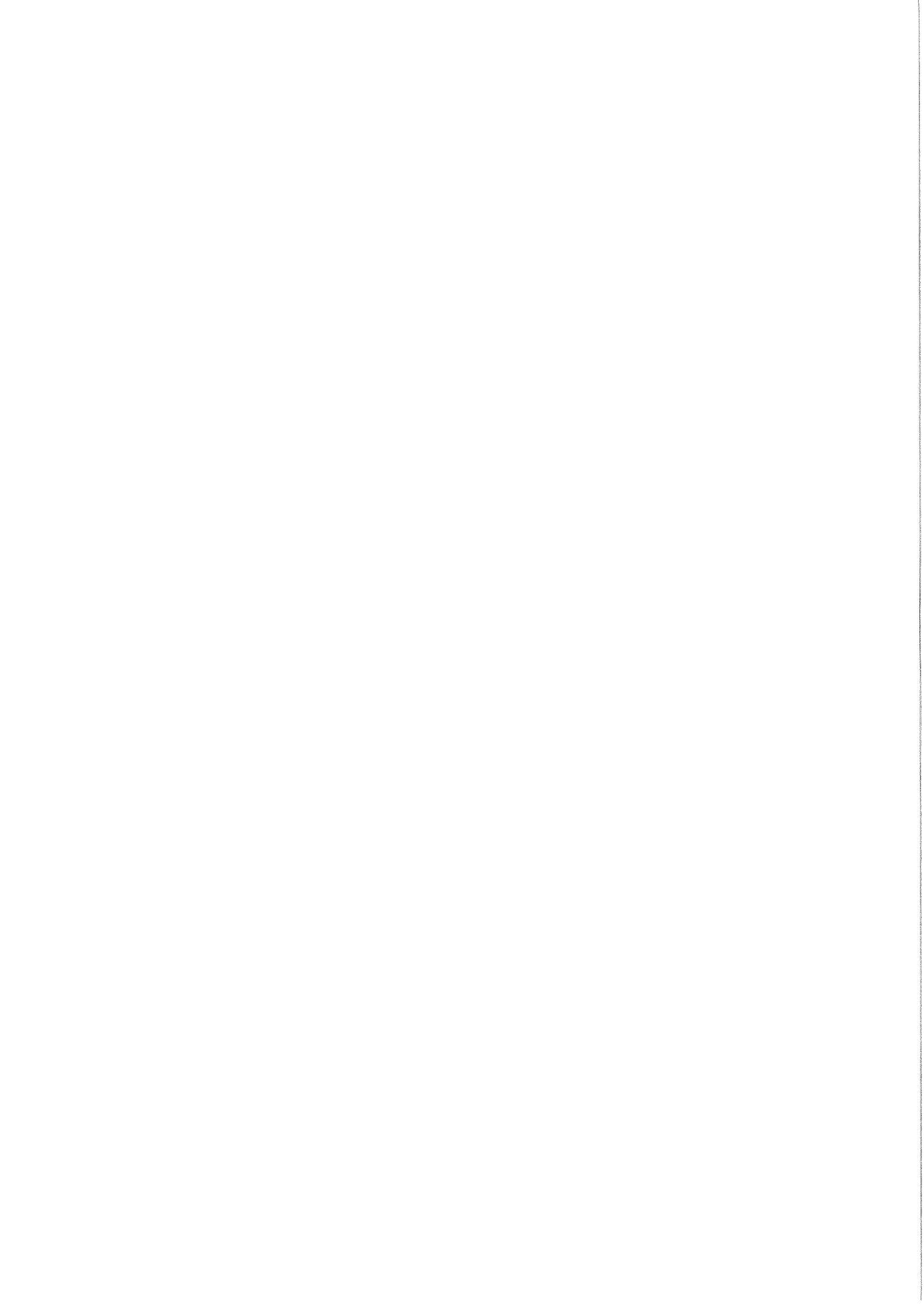


**UNIPLUS 2400 SPARE PARTS****3.11b**

Machines from 2019

**Starshafts 5, 6, 7, 8, 9 & 10**

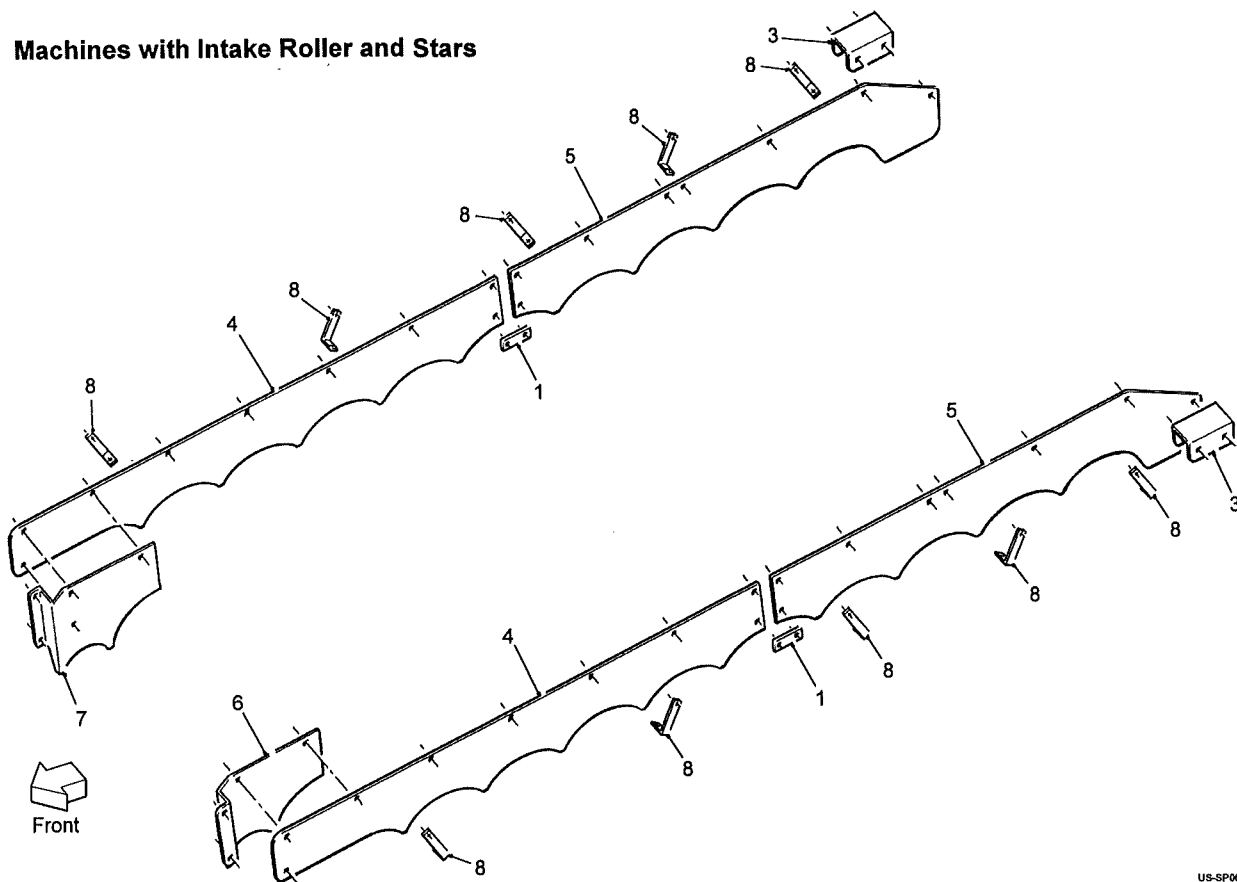
Item	Part No.	Description	Qty.	Qty.
		<b>45mm Pitch (1 spacer) Star</b>	<b>Shaft 5, 7 &amp; 9</b>	<b>Shaft 6, 8 &amp; 10</b>
		<b>Shafts Consist Of:</b>		
1	57001	5 + 5 Finger Star (40mm wide)	52	53
2	57203	5 + 5 Finger Star (30mm wide)	1	-
3	57369	Steel End Disc	2	2
4	57038	Plastic Spacer (5mm wide)	59	58
5	57039	Retaining Washer (2.6mm wide)	4	2
6	57324	Plastic Spacer (25mm wide)	2	2
7				
8				
9				
10	RPF200.060300	Ø60 External Circlip	2	2
		<b>55mm Pitch (3 spacer) Star</b>	<b>Shaft 5, 7 &amp; 9</b>	<b>Shaft 6, 8 &amp; 10</b>
		<b>Shafts Consist Of:</b>		
11	57001	5 + 5 Finger Star (40mm wide)	42	43
12	57203	5 + 5 Finger Star (30mm wide)	1	-
13	57369	Steel End Disc	2	2
14	57038	Plastic Spacer (5mm wide)	135	137
15	57039	Retaining Washer (2.6mm wide)	2	4
16	57324	Plastic Spacer (25mm wide)	3	2
17				
18				
19				
20	RPF200.060300	Ø60 External Circlip	2	2



Machines from 2019

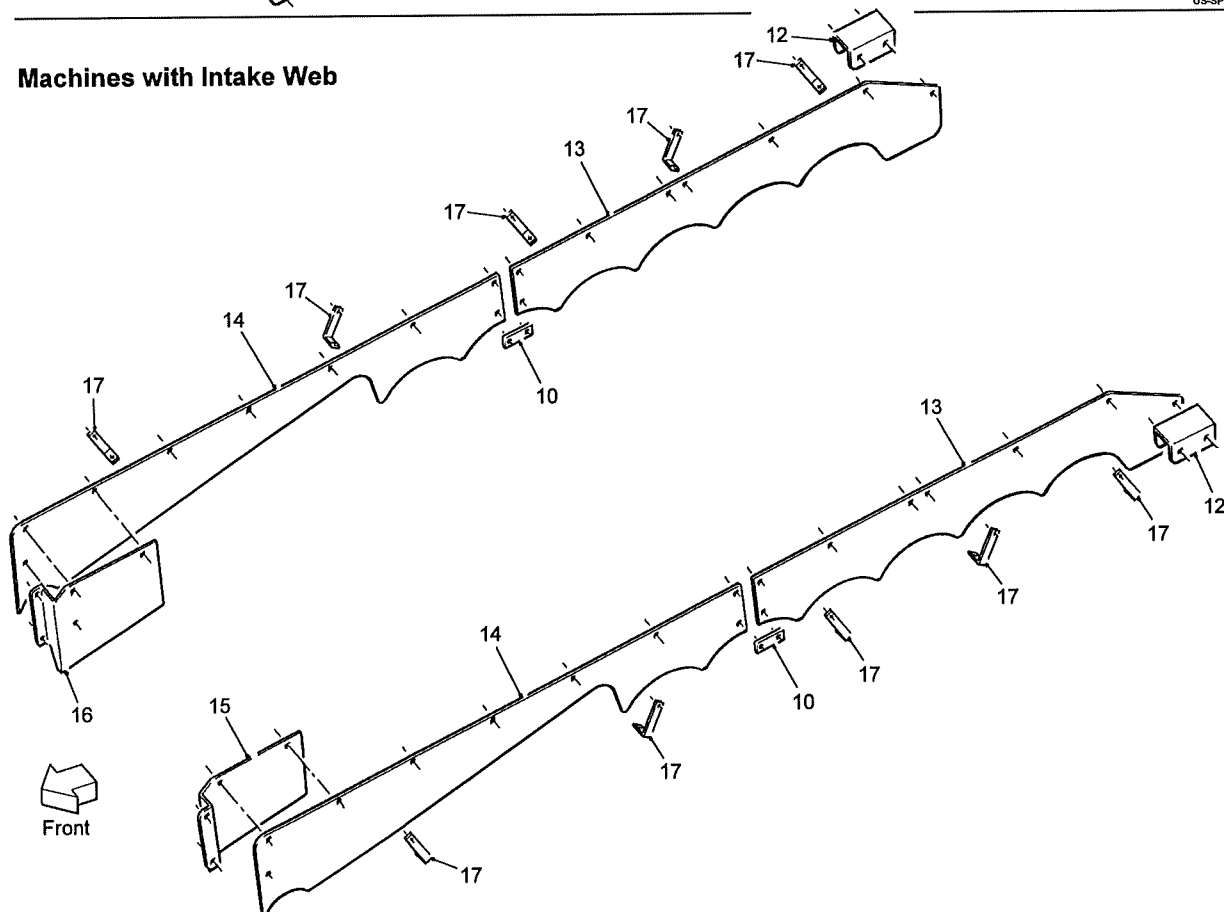
## Inner Side Panel Assemblies

### Machines with Intake Roller and Stars



US-SP061

### Machines with Intake Web



**3.12a****UNIPLUS 2400 SPARE PARTS**

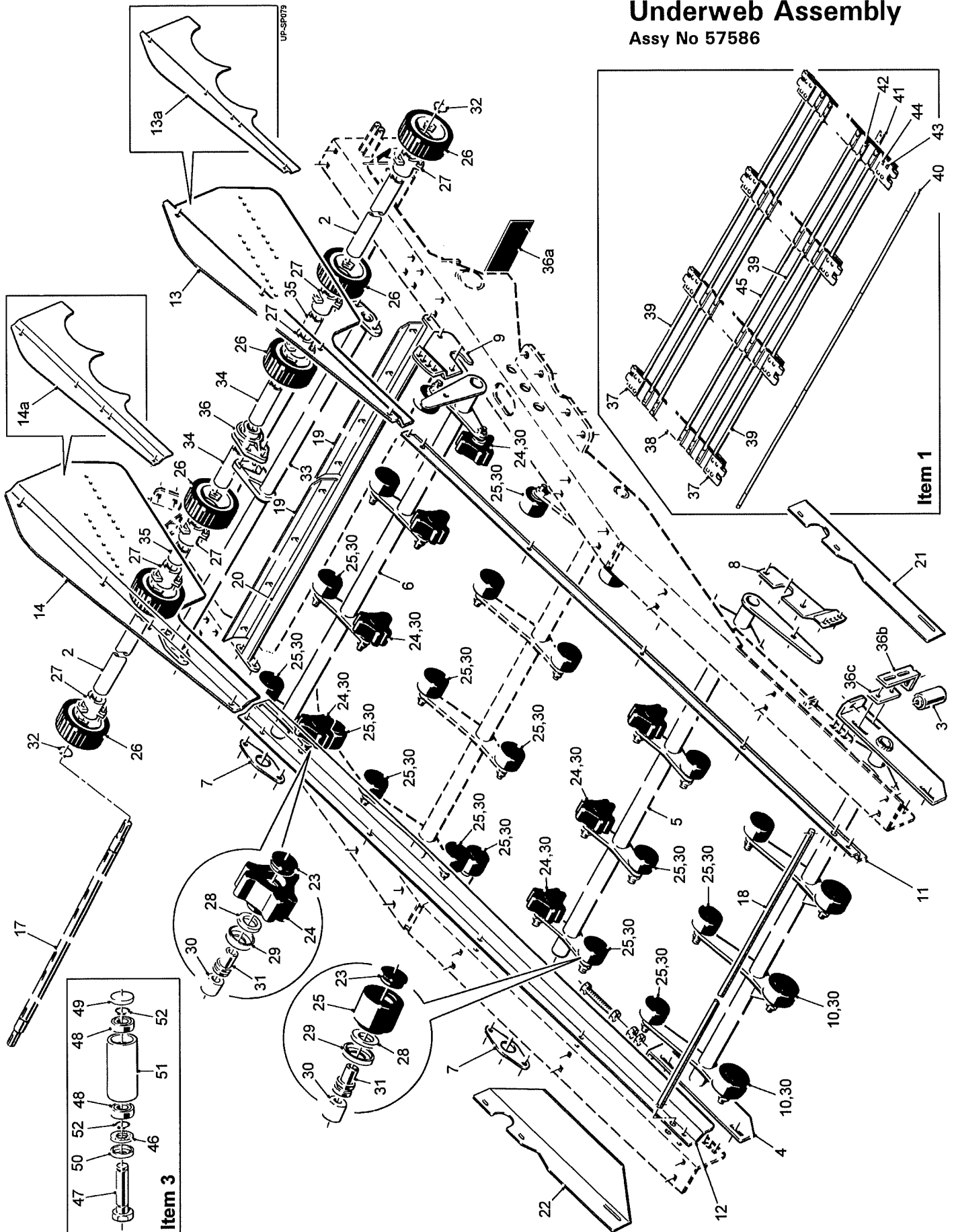
Machines from 2019

**Inner Side Panel Assemblies**

Item	Part No.	Description	Qty.	Remarks	
1	54013	<b>Inner Side Panels for Machines with Intake Roller and Stars Consists Of:</b> Joining Strip	2		
2					
3	57319		Support Plate	2	
4	57370F		Front Side Panel	2	
5	57370R		Rear Side Panel	2	
6	57371		LH Front Panel	1	
7	57372		RH Front Panel	1	
8	57639		Panel Support Bracket	10	
9					
		<hr/>			
		<b>Inner Side Panels for Machines with Intake Web Consists Of:</b>			
10	54013	Joining Strip	2		
11					
12	57319	Support Plate	2		
13	57370R	Rear Side Panel	2		
14	57467	Front Side Panel	2		
15	57468A	LH Front Panel	1		
16	57469A	RH Front Panel	1		
17	57639	Panel Support Bracket	10		

Machines from 2019

## Underweb Assembly Assy No 57586



## 3.14a

## UNIPLUS 2400 SPARE PARTS

Machines from 2019

## Underweb Assembly

Assy No 57586

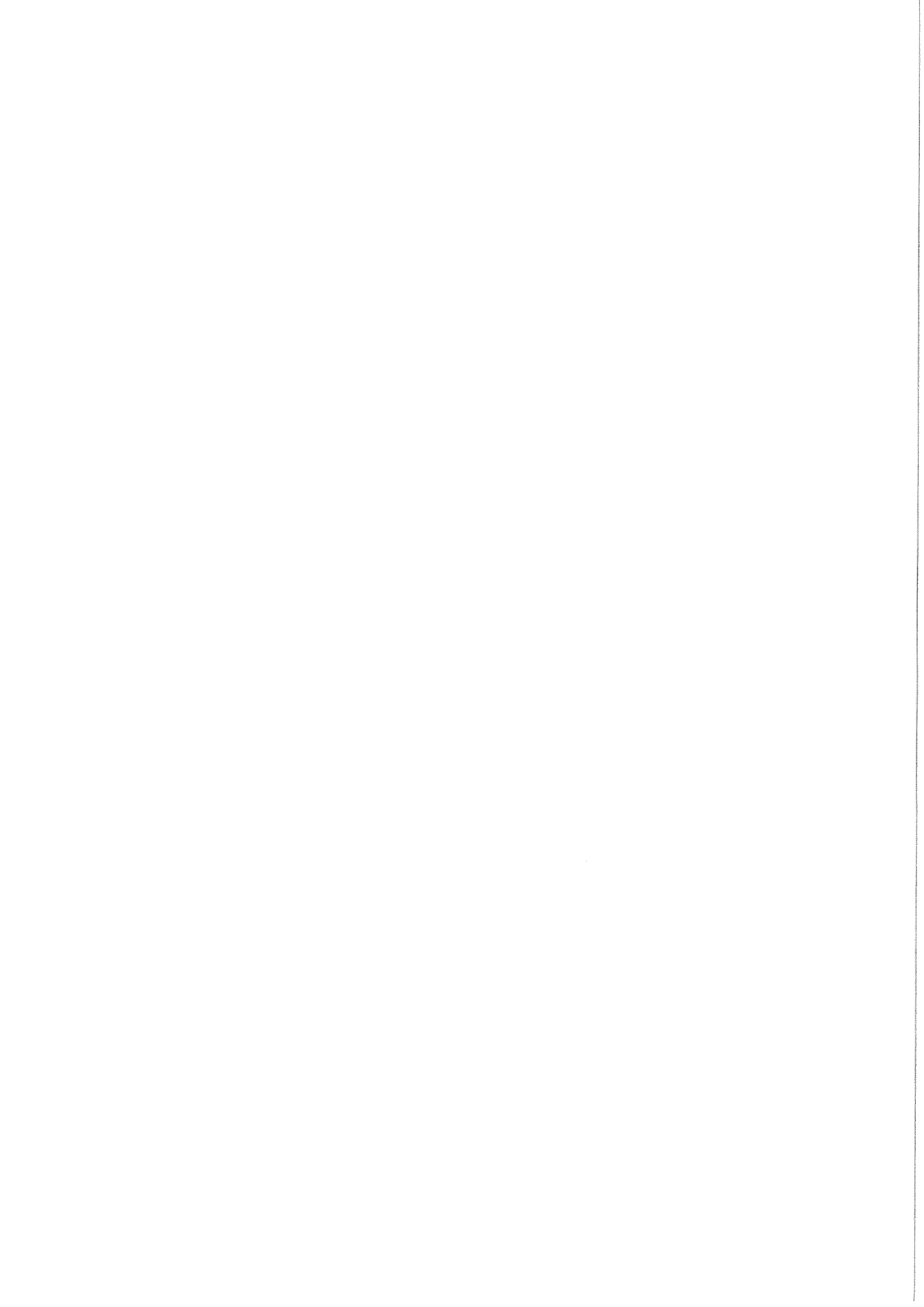
Item	Part No.	Description	Qty.	Remarks
1	57583A/40	40mm Pitch Web Assy	1	(see list at end)
	57583A/45	45mm Pitch Web Assy	1	(see list at end)
	57583A/50	50mm Pitch Web Assy	1	(see list at end)
2	57065	Spacer Tube (598mm)	2	
3	62906A	Roller Assembly	2	(see list at end)
4	57579	Front Roller Frame	1	
5	57580	Web Agitator Frame	1	Not used with hydraulic front agitator
6	57581	Web Agitator Frame	1	Not used with hydraulic rear agitator
7	57172	End Plate	2	
8	57173	Agitator Adjuster Plate	1	Not used with hydraulic front agitator
9	57174	Agitator Adjuster Plate	1	Not used with hydraulic rear agitator
10	57176	Roller Assembly	4	
	57176A	Roller Assembly (rubber covered)	4	Optional
11	57431	LH Plate	1	
12	57432	RH Plate	1	
13	57663	LH Rear Panel	1	Used without boulder box
13a	61163	LH Rear Panel	1	Used with boulder box
14	57664	RH Rear Panel	1	Used without boulder box
14a	61164	RH Rear Panel	1	Used with boulder box
15				
16				
17	57582	Web Drive Shaft	1	
18	57726	Trash Bar	1	
19	57728	Deflector Panel	2	
20	57727	Deflector Panel Mounting	1	
21	57552	LH Soil Deflector	1	
22	57553	RH Soil Deflector	1	
23	RPC620.303070	Cap	32	
24	RPC700.000808	Agitator Roller c/w Bearings	8	
25	RPC700.300147	Ø95 Plain Roller c/w Bearings	24	
26	RPC700.301267	Drive Roller	6	
27	RPGM006.00482	Drive Roller Hub	6	
28	RPGM070.00446	Felt Seal	32	
29	RPGM089.00565	Roller Shield	32	
30	RPM176.306318	30mm Spacer	36	
31	RPM180.303071	Pivot Bush	32	
32	RPF200.050300	Ø50External Circlip	2	
33	57618	Centre Bearing Support	1	
34	57656	Spacer Tube (268mm)	2	
35	SS060054/092	Steel Spacer	2	
36	UCFB210	Bearing	1	
36a	61221	Rubber Deflector	1	
36b	68069	Web Tracking Bracket	2	
36c	68070	Spacer Plate	2	
	<b>57583A/40</b>	<b>40mm Pitch Web Assy Consists of:</b>		
37	57058/40/1A	3 Hole 'F' Type Connector	8	4 Hole use 57058/40/1
38	57058/40/2	Web Belt	4	
39	57583/1	Ø11 Web Rod	119	
40	57583/2	Ø11 Joining Rod	1	
41	12238/6	Clamp Plate	588	
42	57058/3	Ø5.5x21 Rivet	1176	

**UNIPLUS 2400 SPARE PARTS****3.14b**

Machines from 2019

**Underweb Assembly****Assy No 57586**

Item	Part No.	Description	Qty.	Remarks
43	57058/4	Ø5.5x23 Rivet	16	
44	57058/5	Ø5.5x27 Rivet	16	
45	57583A/1	Ø12 Web Rod	30	Every 5th rod
	<b>57583A/45</b>	<b>45mm Pitch Web Assy Consists of:</b>		
37	57058/45/1A	3 Hole 'F' Type Connector	8	4 Hole use 57058/45/1
38	57058/45/2	Web Belt	4	
39	57583/1	Ø11 Web Rod	106	
40	57583/2	Ø11 Joining Rod	1	
41	12238/6	Clamp Plate	524	
42	57058/3	Ø5.5x21 Rivet	1048	
43	57058/4	Ø5.5x23 Rivet	16	
44	57058/5	Ø5.5x27 Rivet	16	
45	57583A/1	Ø12 Web Rod	27	Every 5th rod
	<b>57583A/50</b>	<b>50mm Pitch Web Assy Consists of:</b>		
37	57058/50/1A	3 Hole 'F' Type Connector	8	4 Hole use 57058/50/1
38	57058/50/2	Web Belt	4	
39	57583/1	Ø11 Web Rod	95	
40	57583/2	Ø11 Joining Rod	1	
41	12238/6	Clamp Plate	468	
42	57058/3	Ø5.5x21 Rivet	936	
43	57058/4	Ø5.5x23 Rivet	16	
44	57058/5	Ø5.5x27 Rivet	16	
45	57583A/1	Ø12 Web Rod	24	Every 5th rod
	<b>62906A</b>	<b>Roller Assembly Consists Of:</b>		
46	0000300504	Felt Seal	1	
47	11265C	Spindle	1	
48	60052RS	Bearing	2	
49	PH407	Seal	1	
50	PH408	Seal	1	
51	37056A	Ø60 Plain Roller	1	
52	PS843	Circlip	2	

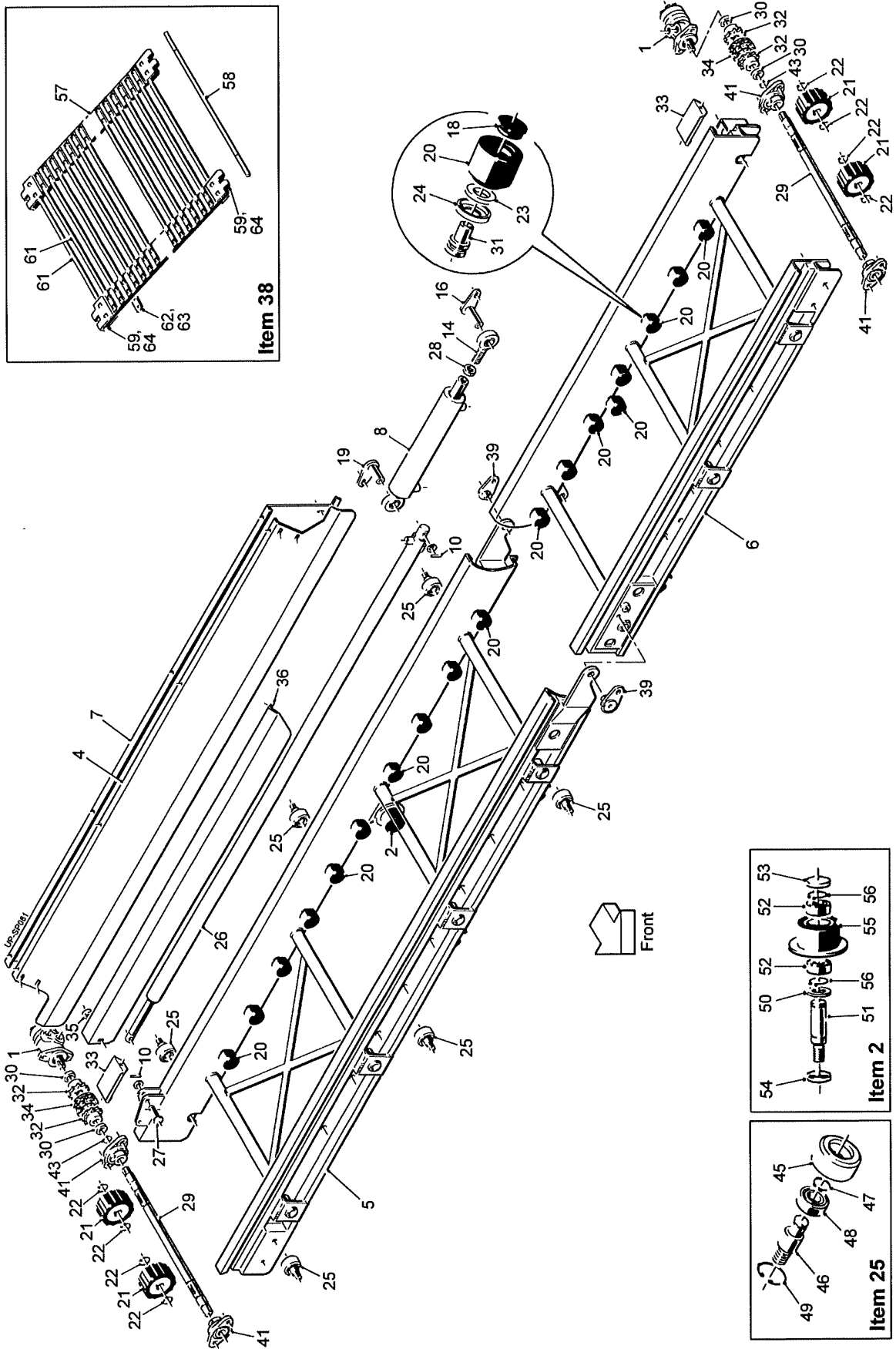




Machines from 2019

## Cross Conveyor Assembly

Assy No 57588



## 3.16a

## UNIPLUS 2400 SPARE PARTS

Machines from 2019

## Cross Conveyor Assembly

Assy No 57588

Item	Part No.	Description	Qty.	Remarks
1	11201	Hydraulic Motor	2	
2	12506	Roller Assembly	2	(see list at end)
3				
4	57692	Rear Panel	1	
5	61203	Conveyor Main Section	1	
6	61204	Conveyor End Section	1	
7	57693	Ram Shield	1	
8	61285B	Hydraulic Ram (255mm stroke)	1	UNP-258 was 57029
9				
10	22067005/030	Ø5x30 Roll Pin	2	
11				
12				
13				
14	57035	Male Rod End	2	
15				
16	61222	Ram Pin (long)	1	
17				
18	RPC620.303070	Cap	36	
19	RPA610.300659	Ram Pin (short)	1	
20	RPC700.300148	Plain Roller c/w Bearings	36	
21	RPGM076.00704	Drive Roller	4	
22	RPF200.035250	Ø35 External Circlip	8	
23	RPGM070.00446	Felt Seal	36	
24	RPGM089.00565	Roller Shield	36	
25	RPGM200.16854	Roller Assembly	6	(see list at end)
26	57670	Hydraulic Ram	1	
27	RPM146.303066	Ram Pin	1	
28	RPF174.524000	M24 Lock Nut	1	
29	57689	Drive Shaft	2	
30	RPM176.303034	Spacer	4	
31	RPM180.303071	Pivot Bush	36	
32	RPM182.303035	12T 3/4" Pitch Sprocket	4	
33	RPM206.304847	Cover	2	
34	RPT738.600012	3/4" Pitch Duplex Drive Chain	2	
35	RPM176.303064	Spacer (12mm)	1	
36	57756	Ram Shield	1	
37				
38	57680	20mm Pitch Web Assembly	1	(see list at end)
39	61751	Pivot Pin	2	
40				
41	SFT30	Bearing	4	
42				
43	W0166	Ø30 External Circlip	2	
44				
	<b>RPGM200.16854</b>	<b>Roller Assembly Consists Of:</b>		
45	RPM156.303068	Plain Roller	1	
46	RPM180.303067	Spindle	1	
47	RPF200.020175	Ø20 External Circlip	1	
48	63042RS	Bearing	1	
49	W0167	Ø52 Internal Circlip	1	

**UNIPLUS 2400 SPARE PARTS****3.16b**

Machines from 2019

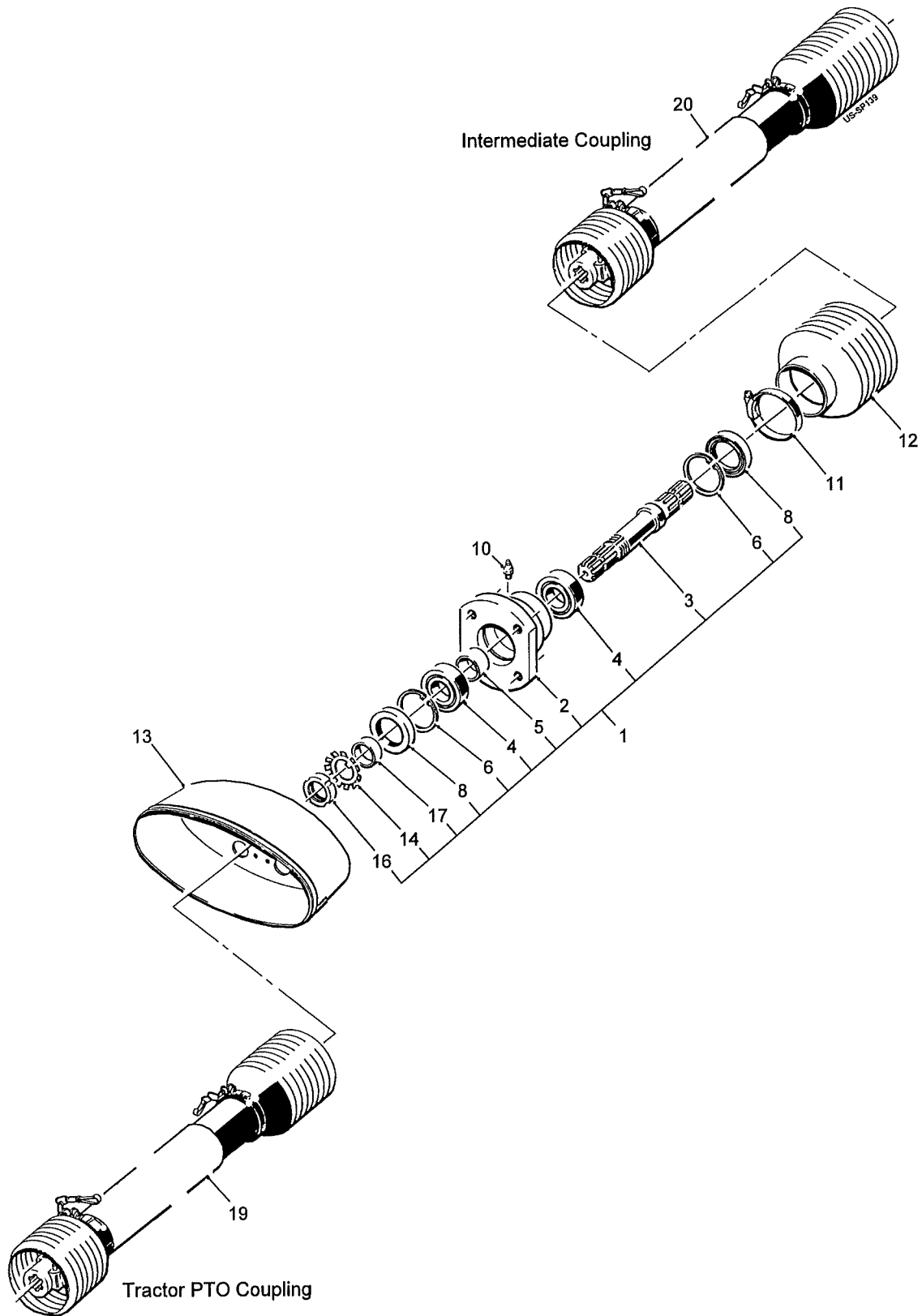
**Cross Conveyor Assembly****Assy No 57588**

Item	Part No.	Description	Qty.	Remarks
	<b>12506</b>	<b>Roller Assembly Consists Of:</b>		
50	0000300504	Felt Seal	1	
51	11265	Roller Spindle	1	
52	6005RS	Bearing	2	
53	PH407	Seal	1	
54	PH408	Seal	1	
55	PH51AR	Flanged Roller	1	
56	PS843	Circlip	2	
	<b>57680</b>	<b>20mm Pitch Web Assy Consists Of:</b>		
57	57680/3	Web Belt	2	
58	57680/2	Joining Rod	1	
59	57680/4	'F' Clip	4	
60				
61	57680/1	Web Rod	545	
62	RPW300.303144A3	Clamp Plate	1082	
63	RPW300.303144A2	Web Bar Rivet	2164	
64	RPW300.303144A7	Connector Rivet	16	



Machines from 2019

## Input Drives



**4.1a****UNIPLUS 2400 SPARE PARTS**

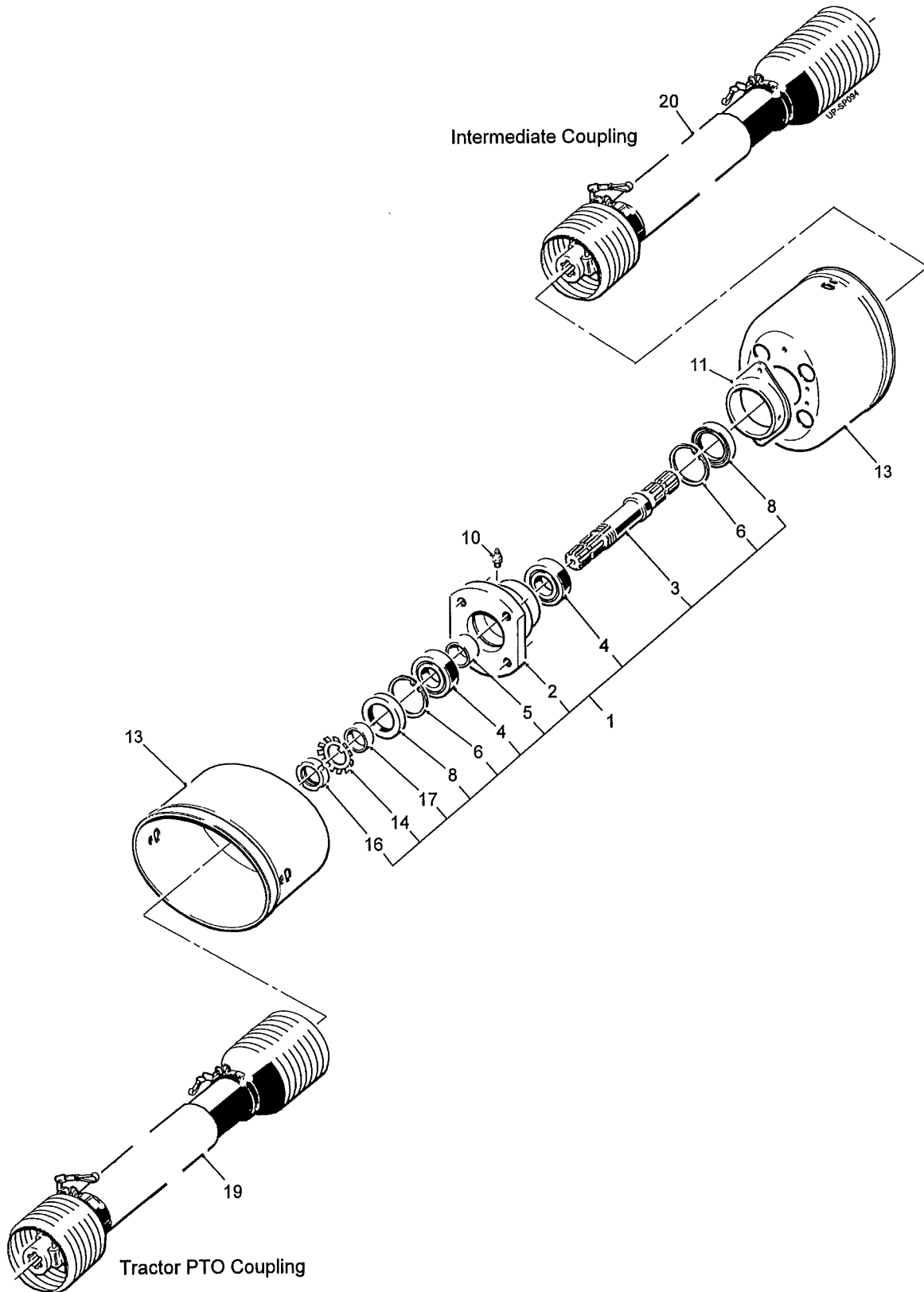
Machines from 2019

**Input Drives**

Item	Part No.	Description	Qty.	Remarks
1	RPS972	Drive Housing Assembly	1	
2	RPA610.306283	Housing	1	
3	RPS787B	Splined Shaft	1	
4	6208	Bearing	2	
5	RPGM060.00659	Spacer (37mm)	1	
6	W0161	Ø80 Internal Circlip	2	
7				
8	11876/4	Oil Seal (50x80x13)	2	
9				
10	RPC648.081250	M8 Straight Grease Nipple	1	
11	RPC654.303207	Hose Clip	1	
12	RPGMRPB95.01201	Guard Cone	1	
13	61020	PTO Guard Cone	1	
14	RPF284.140000	Lock Washer	1	
15				
16	45038	M40 Lock Nut	1	
17	61234	Spacer (20mm)	1	
18				
19	61018	PTO Drive Coupling Complete	1	
20	61019	Intermediate Drive Coupling Complete	1	

Machines from 2020

## Input Drives



## 4.1a

## UNIPLUS 2400 SPARE PARTS

Machines from 2020

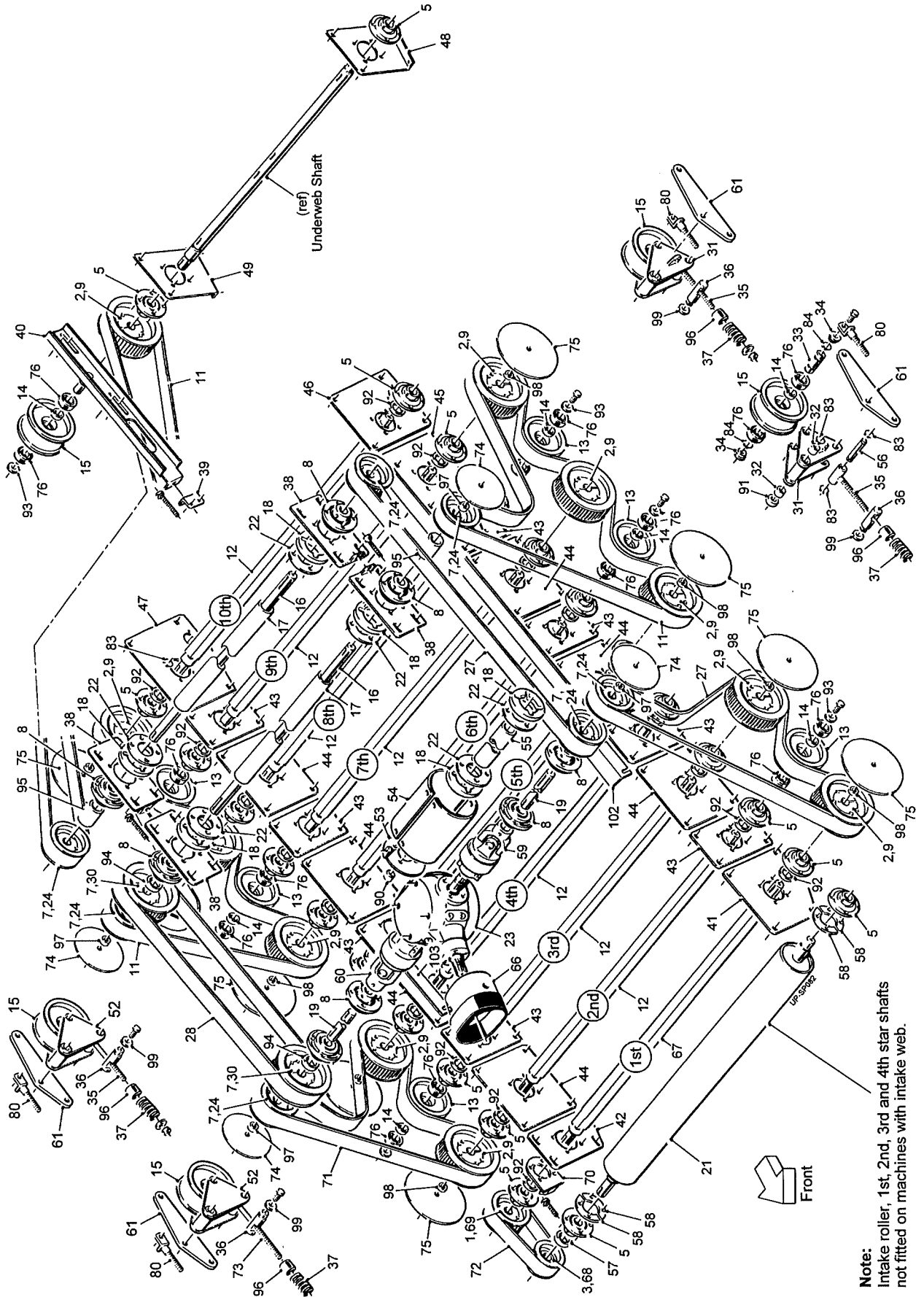
## Input Drives

Item	Part No.	Description	Qty.	Remarks
1	RPS972	Drive Housing Assembly	1	
2	RPA610.306283	Housing	1	
3	RPS787B	Splined Shaft	1	
4	6208	Bearing	2	
5	RPGM060.00659	Spacer (37mm)	1	
6	W0161	Ø80 Internal Circlip	2	
7				
8	11876/4	Oil Seal (50x80x13)	2	
9				
10	RPC648.081250	M8 Straight Grease Nipple	1	
11	68098	Guard Cone Mount	1	
12				
13	RPT842.306457	PTO Guard Cone	2	
14	RPF284.140000	Lock Washer	1	
15				
16	45038	M40 Lock Nut	1	
17	61234	Spacer (20mm)	1	
18				
19	61018	PTO Drive Coupling Complete	1	
20	61019	Intermediate Drive Coupling Complete	1	



Machines from 2019

## Belt Drives and Bearing Plates



**Note:**  
Intake roller, 1st, 2nd, 3rd and 4th star shafts  
not fitted on machines with intake web.

## 4.2a

## UNIPLUS 2400 SPARE PARTS

Machines from 2019

## Belt Drives and Bearing Plates

Item	Part No.	Description	Qty.	Remarks
1	33042	Taperlock Bush (3020-45)	1	
2	33156	Taperlock Bush (3525-45)	11	
3	33154	Taperlock Bush (2517-45)	1	
4				
5	MFC45	Bearing	24	
6				
7	57006	Taperlock Bush (3020-50)	9	
8	57283	Bearing	8	
9	57009	56T Pulley	11	
10				
11	57601	Drive Belt (85x4578mm)	3	
12	57619	Star Shaft	9	
13	57042	Idler Pulley	6	
14	57043	Spacer (16mm)	12	
15	57044	Tensioner Pulley	5	
16	57635	Lay Shaft	2	
17	57648	Plastic Guard Tube	2	
18	57051	Spacer Disc	8	
19	57636	Half Shaft	2	
20				
21	57733	Front Roller	1	
22	57070	Guard Tube Support Disc	8	
23	57098	Gearbox Assembly	1	
24	57100	40T Pulley	7	
25				
26				
27	57602	Drive Belt (85x3500mm)	2	
28	57604	Drive Belt (85x2800mm)	1	
29				
30	57010	48T Pulley	2	
31	57128LH	Tensioner Arm	2	
32	57129	Plastic Bush	8	
33	57130	Tensioner Shaft	4	
34	57131	Tensioner Bush	8	
35	57132	Tensioner Rod (short)	3	
36	57134	Tensioner Trunnion	4	
37	57136	Spring	4	
38	57137	Lay Shaft Adjuster Plate	4	
39	57138	Plate	1	
40	57139	Rear Tensioner Plate	1	
41	57671	Bearing Plate	1	
42	57672	Bearing Plate	1	
43	57673	Bearing Plate	8	
44	57674	Bearing Plate	7	
45	57675	Bearing Plate	1	
46	57676	Bearing Plate	1	
47	57677	Bearing Plate	1	
48	57722	LH Bearing Plate	1	
49	57723	RH Bearing Plate	1	
50				
51				
52	57128RH	Tensioner Arm RH	2	
53	57704	Guard Inner Support	2	
54	57649	Clutch Guard Half	4	

**UNIPLUS 2400 SPARE PARTS****4.2b**

Machines from 2019

**Belt Drives and Bearing Plates**

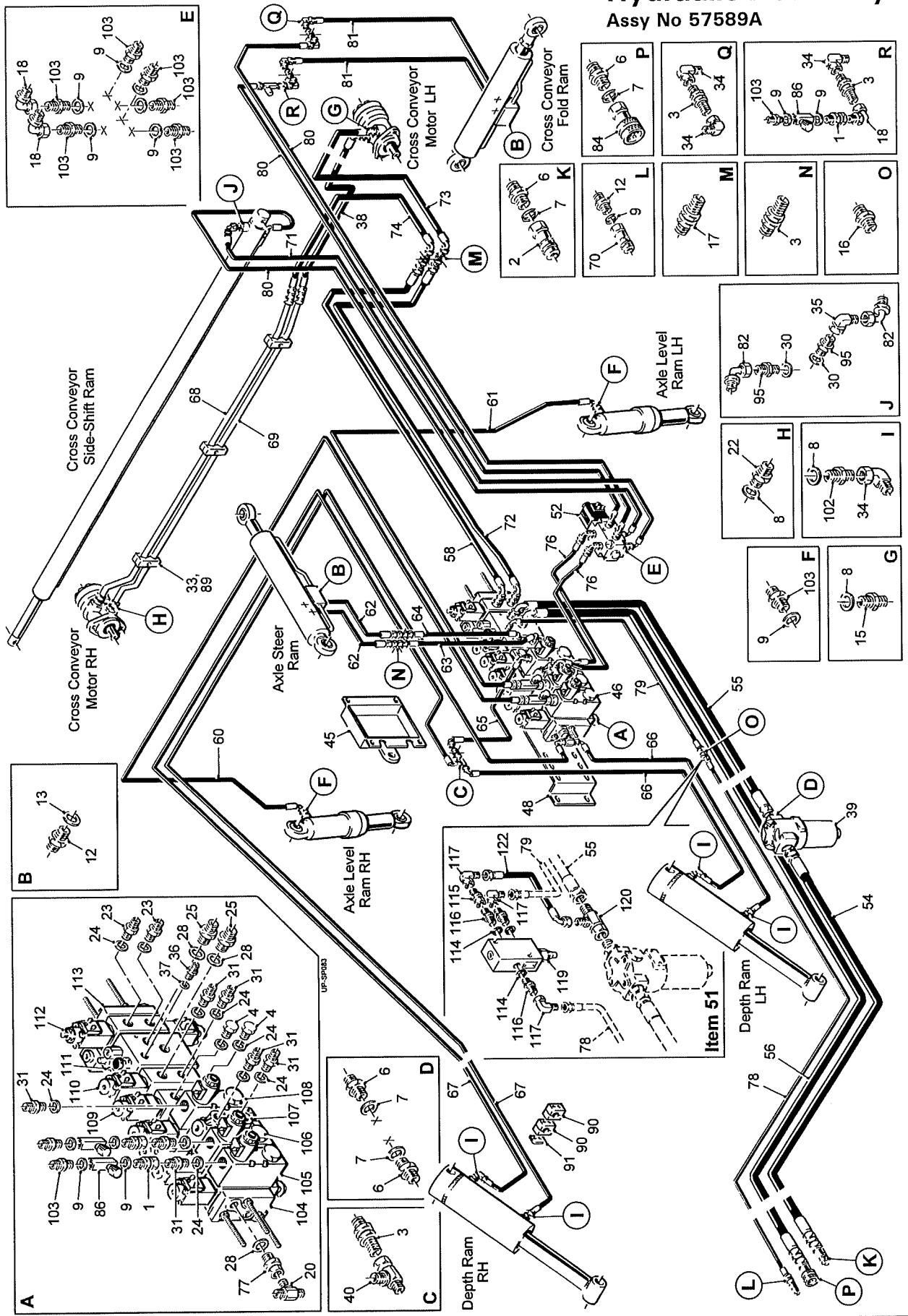
Item	Part No.	Description	Qty.	Remarks
55	57647	Guard Tube	2	
56	57161	Tensioner Pin	4	
57	57164	Spacer (8mm)	1	
58	57165	Half Spacer	4	
59	57633	2700 NM Auto Clutch Complete	1	
60	57632	4200 NM Auto Clutch Complete	1	
61	57862	Tensioner Support Plate	4	
62				
63				
64				
65				
66	61021	PTO Guard	1	
67	57734	1st Star Shaft	1	
68	57607	28T Pulley	1	
69	57513	38T Pulley	1	
70	57718	Tensioner Plate	1	
71	57313	Drive Belt (85x3150mm)	1	
72	57603	Drive Belt (85x994mm)	1	
73	57356	Tensioner Rod (long)	1	
74	57759	Ø220 Pulley Flange	4	
75	57760	Ø275 Pulley Flange	8	
76	62072RS	Bearing	24	
77				
78				
79				
80	RPA610.304444	Adjuster	4	
81			1	
82			1	
83	RPF200.025200	Ø25 External Circlip	12	
84	RPF200.035250	Ø35 External Circlip	8	
85			1	
86			1	
87			1	
88				
89			2	
90	SS025011/015	Steel Spacer	6	
91	SS035026/013	Steel Spacer	4	
92	SS051046/005	Steel Spacer	20	
93	SS045017/006	Steel Spacer	8	
94	SS060054/010	Steel Spacer	2	
95	SS060054/104	Steel Spacer	2	
96	SS030017/030	Steel Spacer	4	
97	SS030017/023	Steel Spacer	4	
98	SS030017/017	Steel Spacer	8	
99	SS040011/003	Steel Spacer	4	
100				
101				
102	57900	Infill Panel	1	
103	57901	Infill Panel	1	



Machines from 2019

## Hydraulic Assembly

Assy No 57589A



## 4.3a

## UNIPLUS 2400 SPARE PARTS

Machines from 2019

## Hydraulic Assembly

Assy No 57589A

Item	Part No.	Description	Qty.	Remarks
1	10128	3/8"BSP MF Swivel Adaptor	3	
2	11108A	3/4"BSP Male Probe	1	
3	10466	3/8"BSP Bulkhead Adaptor	5	
4				
5				
6	11115	3/4"BSP M M Adaptor	4	
7	11123	3/4"BSP Dowty Seal	4	
8	11124	1/2"BSP Dowty Seal	8	
9	11125	3/8"BSP Dowty Seal	18	
10				
11				
12	11336	1/4"BSPx3/8"BSP M M Adaptor	4	
13	11337	1/4"BSP Dowty Seal	4	
14				
15	12315	1/2"BSP M M Adaptor	2	
16	12316	1/4"BSP M M Adaptor	1	
17	12321	1/2"BSP Bulkhead Adaptor	2	
18	13189	3/8"BSP M F Swept 90°Adaptor	3	
19				
20	23139	3/8"BSP M M M Tee	1	
21				
22	27388	1/2"BSPx15L Male Stud Coupling	2	
23	27459	M18x1/2"BSP M M Adaptor	2	
24	27461	M18 Dowty Seal	9	
25	27904	M22x3/4"BSP M M Adaptor	2	
26				
27				
28	31167	M22 Dowty Seal	3	
29				
30	37104	M16 Dowty Seal	2	
31	37599	M18x3/8"BSP M M Adaptor	7	
32				
33	41401	Pipe Clamp (15-15)	3	
34	42343	3/8"BSP M F Compact 90°Adaptor	6	
35				
36	44207	M14x1/4"BSP M M Adaptor	1	
37	44208	M14 Dowty Seal	1	
38	60847	1/2"Hose Assembly (2950mm)	1	
39	46859	Pressure Filter Assembly	1	Element only 37770/1
40	46939	3/8"BSP F M M Tee	1	
41				
42				
43				
44				
45	57084	Valve Cover Plate	1	
46	61266	Valve Bank Assembly	1	(see list at end)
47				
48	57208	Valve Mounting Plate	1	
49				
50				
51	57612	Load Sensing Valve Kit	1	Optional
52	58255	6-Way Diverter Valve	1	
53				
54	60467	3/4"Hose Assembly (6570mm)	1	
55	60268	3/4"Hose Assembly (3200mm)	1	

# UNIPLUS 2400 SPARE PARTS

4.3b

Machines from 2019

## Hydraulic Assembly

Assy No 57589A

Item	Part No.	Description	Qty.	Remarks
56	60468	3/4"Hose Assembly (9600mm)	1	
57				
58	60090	1/2"Hose Assembly (2900mm)	1	
59				
60	60857	3/8"Hose Assembly (5100mm)	1	
61	40042	3/8"Hose Assembly (2400mm)	1	
62	60278	3/8"Hose Assembly (660mm)	2	
63	60279	3/8"Hose Assembly (760mm)	1	
64	60280	3/8"Hose Assembly (510mm)	1	
65	60281	3/8"Hose Assembly (560mm)	1	
66	60282	3/8"Hose Assembly (3660mm)	2	
67	60470	3/8"Hose Assembly (7860mm)	2	
68	60702	Ø15 Steel Pipe Assembly	1	
69	60701	Ø15 Steel Pipe Assembly	1	
70	60166	3/8"BSP Male Probe	1	
71	60648	3/8"Hose Assembly (1400mm)	1	
72	60476	1/2"Hose Assembly (2800mm)	1	
73	60721	1/2"Hose Assembly (2850mm)	1	
74	60482	1/2"Hose Assembly (5100mm)	1	
75				
76	60242	3/8"Hose Assembly (1050mm)	2	
77	60326	M22 Mx3/8"BSP FM Swivel Adaptor	1	
78	60469	1/4"Hose Assembly (7000mm)	1	
79	60457	1/4"Hose Assembly (3300mm)	1	
80	60248	3/8"Hose Assembly (2450mm)	3	
81	60858	3/8"Hose Assembly (5500mm)	2	
82	60491	3/8"BSP MF Swept 45° Adaptor	2	
83				
84	61600	3/4"BSP Fem Quick Release Coupling	1	
85				
86	KA17102	3/8"BSP Adjustable Restrictor Valve	3	
87				
88				
89	RPC654.308052	Pipe Clamp Plate	3	
90	RPC654.309034/1	Pipe Clamp (20)	2 pair	
91	RPC654.309035	Pipe Clamp Plate	1	
92				
93				
94				
95	RPH700.170616	M16x3/8"BSP M M Adaptor	2	
96				
97				
98				
99				
100				
101				
102	UC25	1/2"BSPx3/8"BSP M M Adaptor	4	
103	UC31A	3/8"BSP M M Adaptor	15	
	<b>61266</b>	<b>Valve Bank Assembly Consists Of:</b>		
104	57085/2	End Plate	1	
105	57085/6	'RH Axle Level' Section	1	
106	57085/6	'LH Axle Level' Section	1	
107	58051/1	'Conveyor Side Shift' Section	1	
108	57085/7	'Share Depth' Section	1	

## 4.3c

## UNIPLUS 2400 SPARE PARTS

Machines from 2019

## Hydraulic Assembly

Assy No 57589A

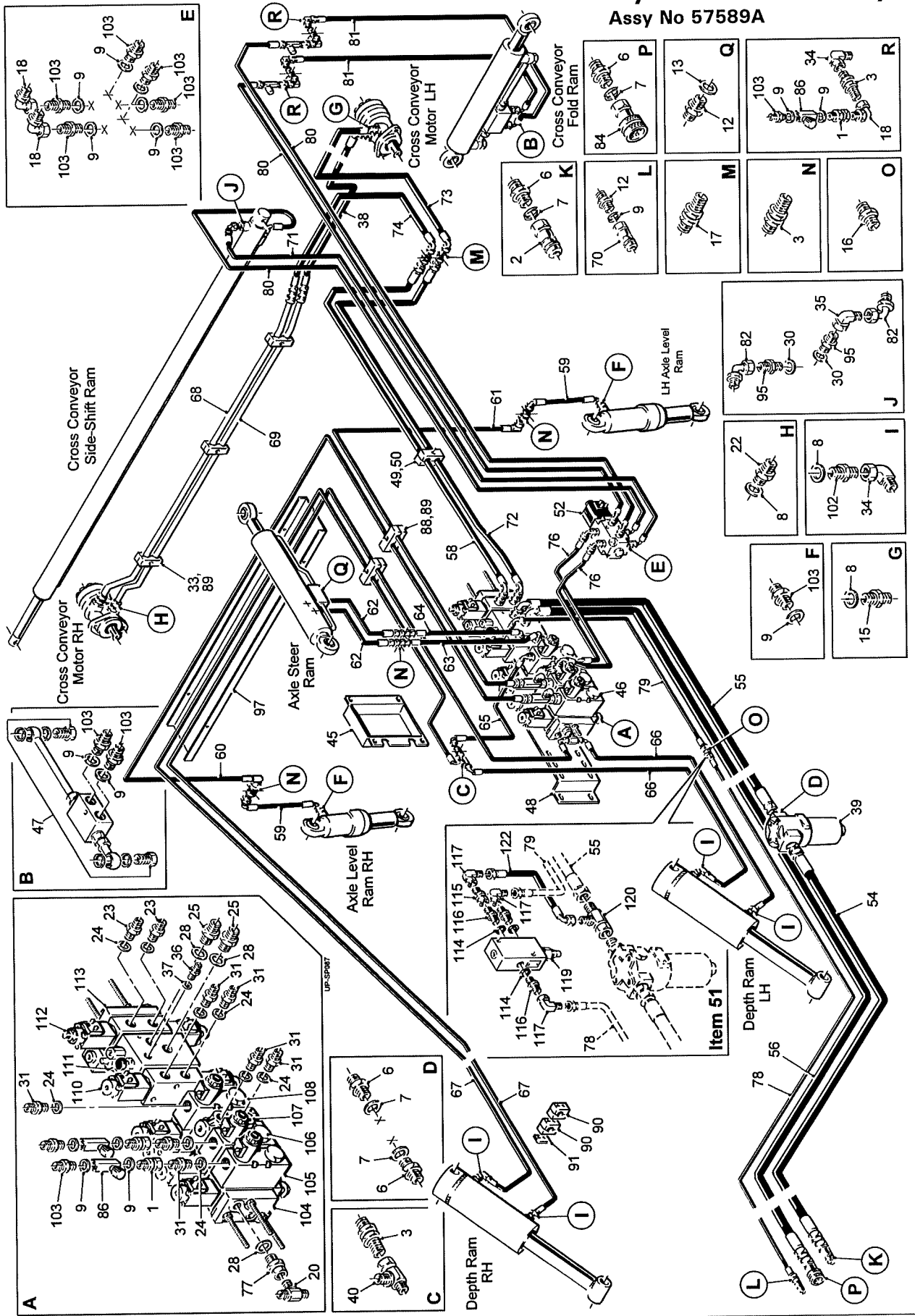
Item	Part No.	Description	Qty.	Remarks
109	46285/3	'Spare' Section	1	
110	46285/10	'Axle Steer' Section	1	
111	46285/4	Inlet Section	1	
112	57085/5	'Cross Conveyor Motors' Section	1	
113	57085/2	End Plate	1	
	<b>57612</b>	<b>Load Sensing Valve Kit Consists Of:</b>		
114	44208	M14 Dowty Seal	3	
115	41484	1/4"BSP M F Swivel Adaptor	1	
116	44207	M14x1/4"BSP M M Adaptor	3	
117	12378	1/4"BSP MF Swept 90°Adaptor	3	
118				
119	57523	Load Sensing Valve	1	
120	57613	3/4"Fx1/4"Mx3/4"M Tee	1	
121				
122	60458	1/4"Hose Assembly (570mm)	1	



Machines from 2020

## Hydraulic Assembly

Assy No 57589A



## 4.3a

## UNIPLUS 2400 SPARE PARTS

Machines from 2020

## Hydraulic Assembly

Assy No 57589A

Item	Part No.	Description	Qty.	Remarks
1	10128	3/8"BSP MF Swivel Adaptor	4	
2	11108A	3/4"BSP Male Probe	1	
3	10466	3/8"BSP Bulkhead Adaptor	7	
4				
5				
6	11115	3/4"BSP M M Adaptor	4	
7	11123	3/4"BSP Dowty Seal	4	
8	11124	1/2"BSP Dowty Seal	8	
9	11125	3/8"BSP Dowty Seal	20	
10				
11				
12	11336	1/4"BSPx3/8"BSP M M Adaptor	2	
13	11337	1/4"BSP Dowty Seal	2	
14				
15	12315	1/2"BSP M M Adaptor	2	
16	12316	1/4"BSP M M Adaptor	1	
17	12321	1/2"BSP Bulkhead Adaptor	2	
18	13189	3/8"BSP M F Swept 90°Adaptor	4	
19				
20	23139	3/8"BSP M M M Tee	1	
21				
22	27388	1/2"BSPx15L Male Stud Coupling	2	
23	27459	M18x1/2"BSP M M Adaptor	2	
24	27461	M18 Dowty Seal	7	
25	27904	M22x3/4"BSP M M Adaptor	2	
26				
27				
28	31167	M22 Dowty Seal	3	
29				
30	37104	M16 Dowty Seal	2	
31	37599	M18x3/8"BSP M M Adaptor	7	
32				
33	41401	Pipe Clamp (15-15)	3	
34	42343	3/8"BSP M F Compact 90°Adaptor	5	
35				
36	44207	M14x1/4"BSP M M Adaptor	1	
37	44208	M14 Dowty Seal	1	
38	60847	1/2"Hose Assembly (2950mm)	1	
39	46859	Pressure Filter Assembly	1	Element only 37770/1
40	46939	3/8"BSP F M M Tee	1	
41				
42				
43				
44				
45	57084A	Valve Cover Plate	1	Cover with roller lug 57084
46	61266	Valve Bank Assembly	1	(see list at end)
47	57115	Check Valve & Banjo Assembly	1	
48	57208	Valve Mounting Plate	1	
49	57224	Pipe Clamp (22-22)	1 pair	
50	57225	Pipe Clamp Plate	1	
51	57612	Load Sensing Valve Kit	1	Optional
52	58255	6-Way Diverter Valve	1	
53				
54	60467	3/4"Hose Assembly (6570mm)	1	
55	60268	3/4"Hose Assembly (3200mm)	1	

# UNIPLUS 2400 SPARE PARTS

4.3b

Machines from 2020

## Hydraulic Assembly

Assy No 57589A

Item	Part No.	Description	Qty.	Remarks
56	60468	3/4"Hose Assembly (9600mm)	1	
57				
58	60090	1/2"Hose Assembly (2900mm)	1	
59	60275	3/8"Hose Assembly (510mm)	2	
60	60471	3/8"Hose Assembly (4460mm)	1	
61	60277	3/8"Hose Assembly (1760mm)	1	
62	60278	3/8"Hose Assembly (660mm)	2	
63	60279	3/8"Hose Assembly (760mm)	1	
64	60280	3/8"Hose Assembly (510mm)	1	
65	60281	3/8"Hose Assembly (560mm)	1	
66	60282	3/8"Hose Assembly (3660mm)	2	
67	60470	3/8"Hose Assembly (7860mm)	2	
68	60702	Ø15 Steel Pipe Assembly	1	
69	60701	Ø15 Steel Pipe Assembly	1	
70	60166	3/8"BSP Male Probe	1	
71	60648	3/8"Hose Assembly (1400mm)	1	
72	60476	1/2"Hose Assembly (2800mm)	1	
73	60721	1/2"Hose Assembly (2850mm)	1	
74	60482	1/2"Hose Assembly (5100mm)	1	
75				
76	60242	3/8"Hose Assembly (1050mm)	2	
77	60326	M22 Mx3/8"BSP FM Swivel Adaptor	1	
78	60469	1/4"Hose Assembly (7000mm)	1	
79	60457	1/4"Hose Assembly (3300mm)	1	
80	60248	3/8"Hose Assembly (2450mm)	3	
81	60858	3/8"Hose Assembly (5500mm)	2	
82	60491	3/8"BSP MF Swept 45° Adaptor	2	
83				
84	61600	3/4"BSP Fem Quick Release Coupling	1	
85				
86	KA17102	3/8"BSP Adjustable Restrictor Valve	4	
87				
88	RPC654.308051	Pipe Clamp (18-18)	2 pair	
89	RPC654.308052	Pipe Clamp Plate	5	
90	RPC654.309034/1	Pipe Clamp (20)	2 pair	
91	RPC654.309035	Pipe Clamp Plate	1	
92				
93				
94				
95	RPH700.170616	M16x3/8"BSP M M Adaptor	2	
96				
97	68123C	Hose tray	1	
98				
99				
100				
101				
102	UC25	1/2"BSPx3/8"BSP M M Adaptor	4	
103	UC31A	3/8"BSP M M Adaptor	16	
	<b>61266</b>	<b>Valve Bank Assembly Consists Of:</b>		
104	57085/2	End Plate	1	
105	57085/6	'RH Axle Level' Section	1	
106	57085/6	'LH Axle Level' Section	1	

## 4.3c

## UNIPLUS 2400 SPARE PARTS

Machines from 2020

## Hydraulic Assembly

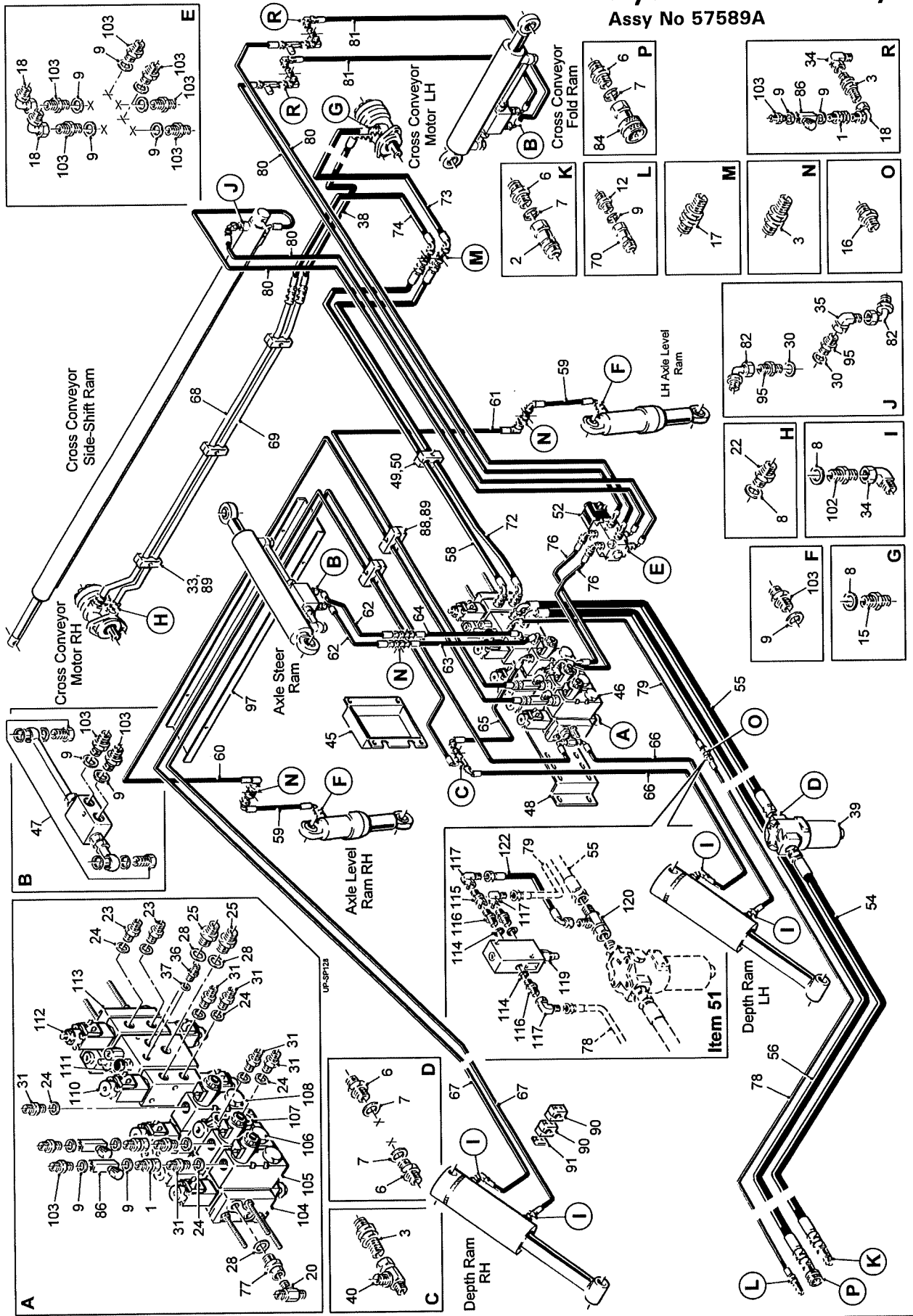
Assy No 57589A

Item	Part No.	Description	Qty.	Remarks
107	58051/1	'Conveyor Side Shift' Section	1	
108	57085/7	'Share Depth' Section	1	
109				
110	46285/10	'Axle Steer' Section	1	
111	46285/4	Inlet Section	1	
112	57085/5	'Cross Conveyor Motors' Section	1	
113	57085/2	End Plate	1	
	<b>57612</b>	<b>Load Sensing Valve Kit Consists Of:</b>		
114	44208	M14 Dowty Seal	3	
115	41484	1/4"BSP M F Swivel Adaptor	1	
116	44207	M14x1/4"BSP M M Adaptor	3	
117	12378	1/4"BSP MF Swept 90° Adaptor	3	
118				
119	57523	Load Sensing Valve	1	
120	57613	3/4"Fx1/4"Mx3/4"M Tee	1	
121				
122	60458	1/4"Hose Assembly (570mm)	1	

Machines from 2024

## Hydraulic Assembly

Assy No 57589A



## 4.3a

## UNIPLUS 2400 SPARE PARTS

Machines from 2024

## Hydraulic Assembly

Assy No 57589A

Item	Part No.	Description	Qty.	Remarks
1	10128	3/8"BSP MF Swivel Adaptor	4	
2	11108A	3/4"BSP Male Probe	1	
3	10466	3/8"BSP Bulkhead Adaptor	7	
4				
5				
6	11115	3/4"BSP M M Adaptor	4	
7	11123	3/4"BSP Dowty Seal	4	
8	11124	1/2"BSP Dowty Seal	8	
9	11125	3/8"BSP Dowty Seal	22	
10				
11				
12				
13				
14				
15	12315	1/2"BSP M M Adaptor	2	
16	12316	1/4"BSP M M Adaptor	1	
17	12321	1/2"BSP Bulkhead Adaptor	2	
18	13189	3/8"BSP M F Swept 90° Adaptor	4	
19				
20	23139	3/8"BSP M M M Tee	1	
21				
22	27388	1/2"BSPx15L Male Stud Coupling	2	
23	27459	M18x1/2"BSP M M Adaptor	2	
24	27461	M18 Dowty Seal	7	
25	27904	M22x3/4"BSP M M Adaptor	2	
26				
27				
28	31167	M22 Dowty Seal	3	
29				
30	37104	M16 Dowty Seal	2	
31	37599	M18x3/8"BSP M M Adaptor	7	
32				
33	41401	Pipe Clamp (15-15)	3	
34	42343	3/8"BSP M F Compact 90° Adaptor	5	
35				
36	44207	M14x1/4"BSP M M Adaptor	1	
37	44208	M14 Dowty Seal	1	
38	60847	1/2"Hose Assembly (2950mm)	1	
39	46859	Pressure Filter Assembly	1	Element only 37770/1
40	46939	3/8"BSP F M M Tee	1	
41				
42				
43				
44				
45	57084A	Valve Cover Plate	1	Cover with roller lug 57084
46	61266	Valve Bank Assembly	1	(see list at end)
47	57115	Check Valve & Banjo Assembly	2	
48	57208	Valve Mounting Plate	1	
49	57224	Pipe Clamp (22-22)	1 pair	
50	57225	Pipe Clamp Plate	1	
51	57612	Load Sensing Valve Kit	1	Optional
52	58255	6-Way Diverter Valve	1	
53				
54	60467	3/4"Hose Assembly (6570mm)	1	
55	60268	3/4"Hose Assembly (3200mm)	1	

# UNIPLUS 2400 SPARE PARTS

4.3b

Machines from 2024

## Hydraulic Assembly

Assy No 57589A

Item	Part No.	Description	Qty.	Remarks
56	60468	3/4"Hose Assembly (9600mm)	1	
57				
58	60090	1/2"Hose Assembly (2900mm)	1	
59	60275	3/8"Hose Assembly (510mm)	2	
60	60471	3/8"Hose Assembly (4460mm)	1	
61	60277	3/8"Hose Assembly (1760mm)	1	
62	60278	3/8"Hose Assembly (660mm)	2	
63	60279	3/8"Hose Assembly (760mm)	1	
64	60280	3/8"Hose Assembly (510mm)	1	
65	60281	3/8"Hose Assembly (560mm)	1	
66	60282	3/8"Hose Assembly (3660mm)	2	
67	60470	3/8"Hose Assembly (7860mm)	2	
68	60702	Ø15 Steel Pipe Assembly	1	
69	60701	Ø15 Steel Pipe Assembly	1	
70	60166	3/8"BSP Male Probe	1	
71				
72	60476	1/2"Hose Assembly (2800mm)	1	
73	60721	1/2"Hose Assembly (2850mm)	1	
74	60482	1/2"Hose Assembly (5100mm)	1	
75				
76	60242	3/8"Hose Assembly (1050mm)	2	
77	60326	M22 Mx3/8"BSP FM Swivel Adaptor	1	
78	60469	1/4"Hose Assembly (7000mm)	1	
79	60457	1/4"Hose Assembly (3300mm)	1	
80	60248	3/8"Hose Assembly (2450mm)	4	
81	60858	3/8"Hose Assembly (5500mm)	2	
82	60491	3/8"BSP MF Swept 45°Adaptor	2	
83				
84	61600	3/4"BSP Fem Quick Release Coupling	1	
85				
86	KA17102	3/8"BSP Adjustable Restrictor Valve	4	
87				
88	RPC654.308051	Pipe Clamp (18-18)	2 pair	
89	RPC654.308052	Pipe Clamp Plate	5	
90	RPC654.309034/1	Pipe Clamp (20)	2 pair	
91	RPC654.309035	Pipe Clamp Plate	1	
92				
93				
94				
95	RPH700.170616	M16x3/8"BSP M M Adaptor	2	
96				
97	68123C	Hose tray	1	
98				
99				
100				
101				
102	UC25	1/2"BSPx3/8"BSP M M Adaptor	4	
103	UC31A	3/8"BSP M M Adaptor	18	
	<b>61266</b>	<b>Valve Bank Assembly Consists Of:</b>		
104	57085/2	End Plate	1	
105	57085/6	'RH Axle Level' Section	1	
106	57085/6	'LH Axle Level' Section	1	

## 4.3c

## UNIPLUS 2400 SPARE PARTS

Machines from 2024

## Hydraulic Assembly

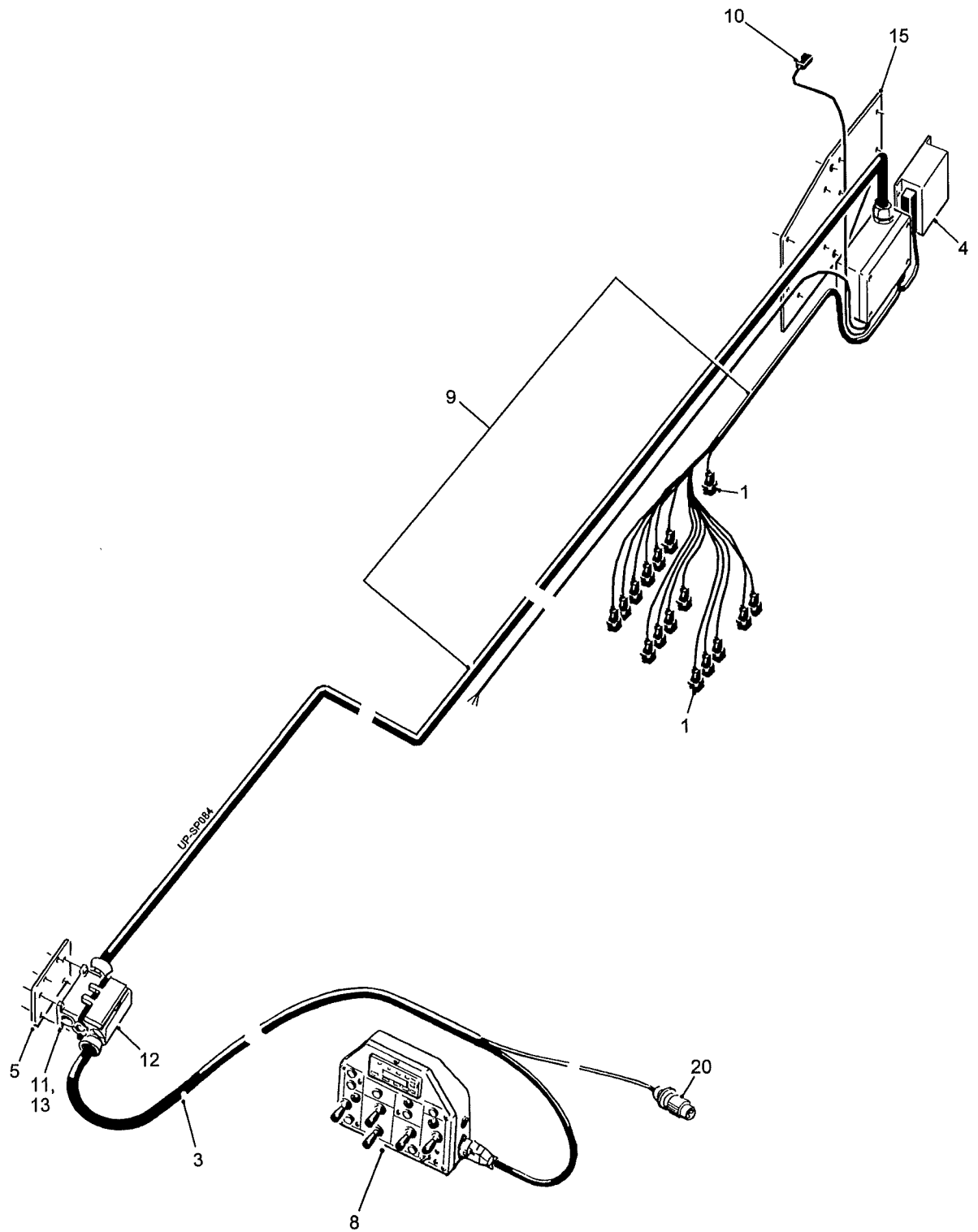
Assy No 57589A

Item	Part No.	Description	Qty.	Remarks
107	58051/1	'Conveyor Side Shift' Section	1	
108	57085/7	'Share Depth' Section	1	
109				
110	46285/10	'Axle Steer' Section	1	
111	46285/4	Inlet Section	1	
112	57085/5	'Cross Conveyor Motors' Section	1	
113	57085/2	End Plate	1	
	<b>57612</b>	<b>Load Sensing Valve Kit Consists Of:</b>		
114	44208	M14 Dowty Seal	3	
115	41484	1/4"BSP M F Swivel Adaptor	1	
116	44207	M14x1/4"BSP M M Adaptor	3	
117	12378	1/4"BSP MF Swept 90° Adaptor	3	
118				
119	57523	Load Sensing Valve	1	
120	57613	3/4"Fx1/4"Mx3/4"M Tee	1	
121				
122	60458	1/4"Hose Assembly (570mm)	1	



Machines from 2019

Electrical Assembly



## 4.4a

## UNIPLUS 2400 SPARE PARTS

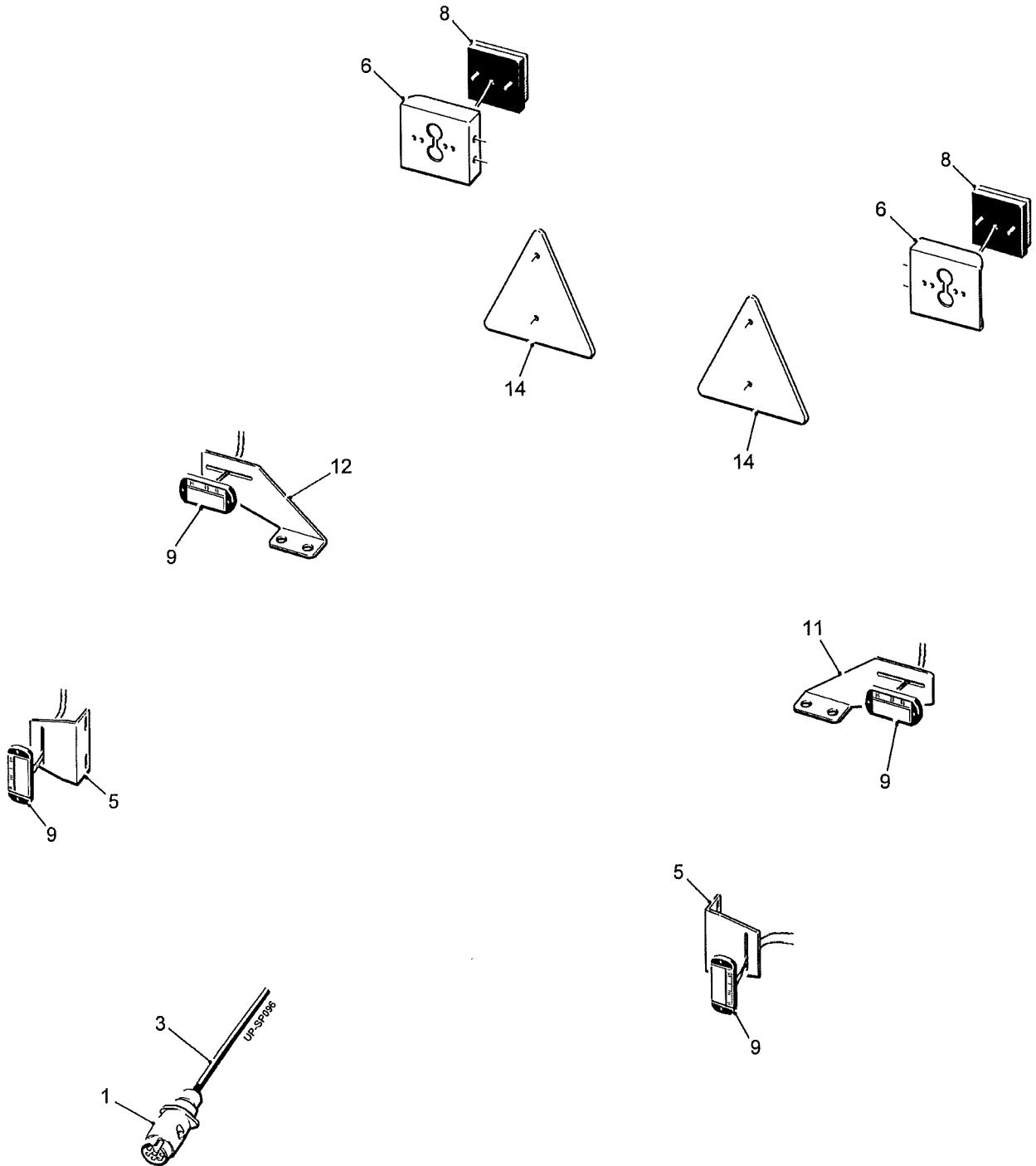
Machines from 2019

## Electrical Assembly

Item	Part No.	Description	Qty.	Remarks
1	59402	2-Way Terminal Plug	a/r	
2				
3	-	Control Box Loom Complete	1	
4	51231	Processor Module	1	
5	51257	Plug Mounting Plate	1	
6				
7				
8	57239	Control Box Assembly	1	
9	57240	Machine & Valve Loom c/w Plugs	1	
10	57325	Steering Sensor Cable c/w Plug	1	
11	-	Housing Only	1	
12	-	Housing Only	1	
13	-	Insert Only	1	
14				
15	57753A	Module Mounting Plate	1	
16				
17				
18				
19				
20	RPGMB94.01478	3-Pin 'D' Plug	1	

Machines from 2019

**Road Lights**  
Assy No 57241



**4.5a****UNIPLUS 2400 SPARE PARTS**

Machines from 2019

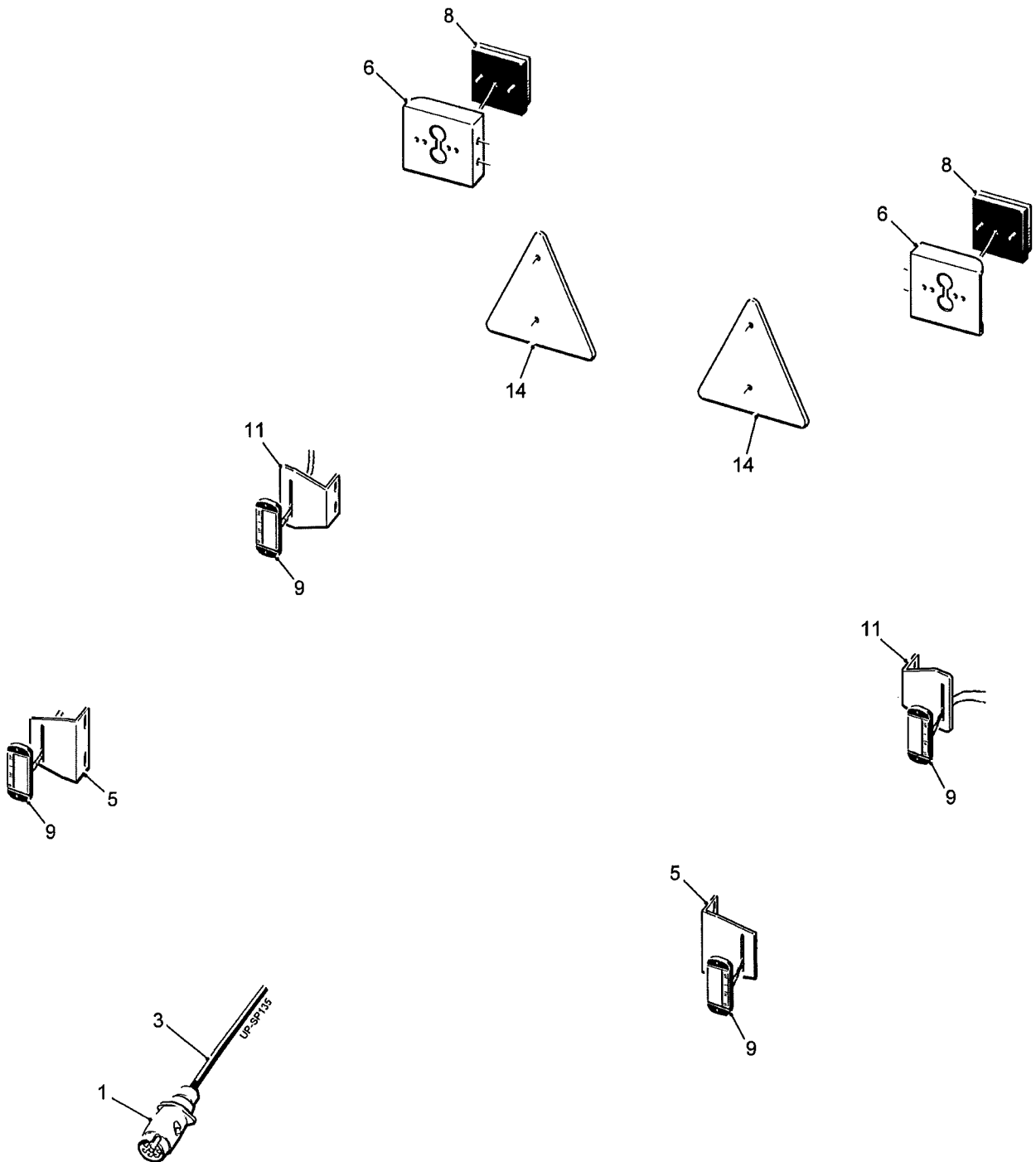
**Road Lights****Assy No 57241**

Item	Part No.	Description	Qty.	Remarks
1	10134	7 Pin Plug	1	
2				
3	11369	7 Core Cable	10.5m	
4				
5	57222A	Light Bracket Front	2	
6	57257A	Light Bracket Rear	2	Used with boulder box only
7				
8	62217A	LED Rear Light	2	
9	62470	LED Front Light	4	
10				
11	68054	Light Bracket LH	1	
12	68055	Light Bracket RH	1	
13				
14	RPE272.307748	Red Triangle Reflector	2	

Machines from 2024

## Road Lights

Assy No 57241



**4.5a****UNIPLUS 2400 SPARE PARTS**

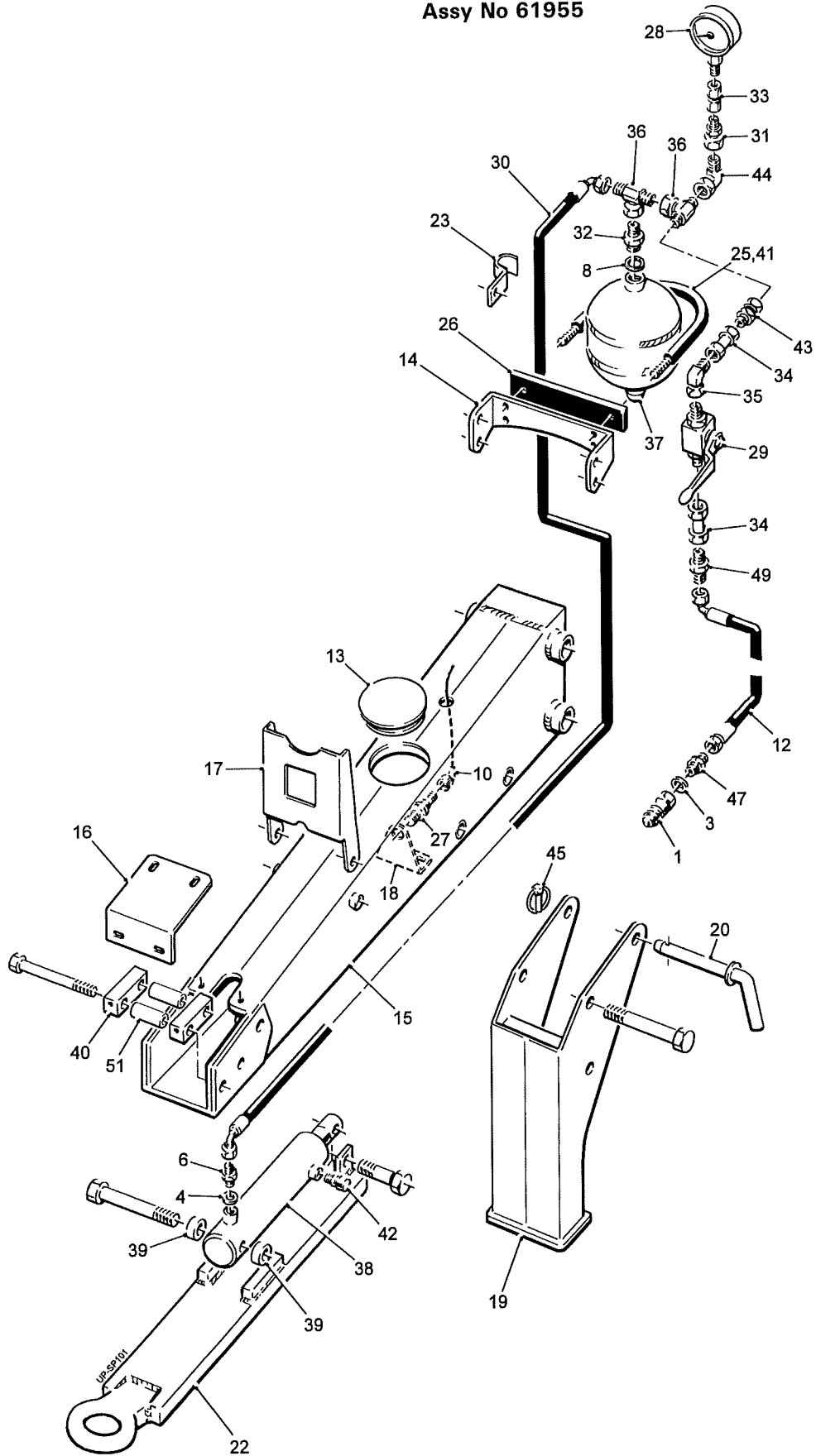
Machines from 2024

**Road Lights****Assy No 57241**

Item	Part No.	Description	Qty.	Remarks
1	10134	7 Pin Plug	1	
2				
3	11369	7 Core Cable	10.5m	
4				
5	57222A	Light Bracket Front	2	
6	57257A	Light Bracket Rear	2	Used with boulder box only
7				
8	62217A	LED Rear Light	2	
9	62470	LED Front Light	4	
10				
11	57222B	Light Bracket	2	
12				
13				
14	RPE272.307748	Red Triangle Reflector	2	

Machines from 2019

**Hydraulically Damped Drawbar**  
Assy No 61955



## 5.1a

## UNIPLUS 2400 SPARE PARTS

Machines from 2019

## Hydraulically Damped Drawbar

Assy No 61955

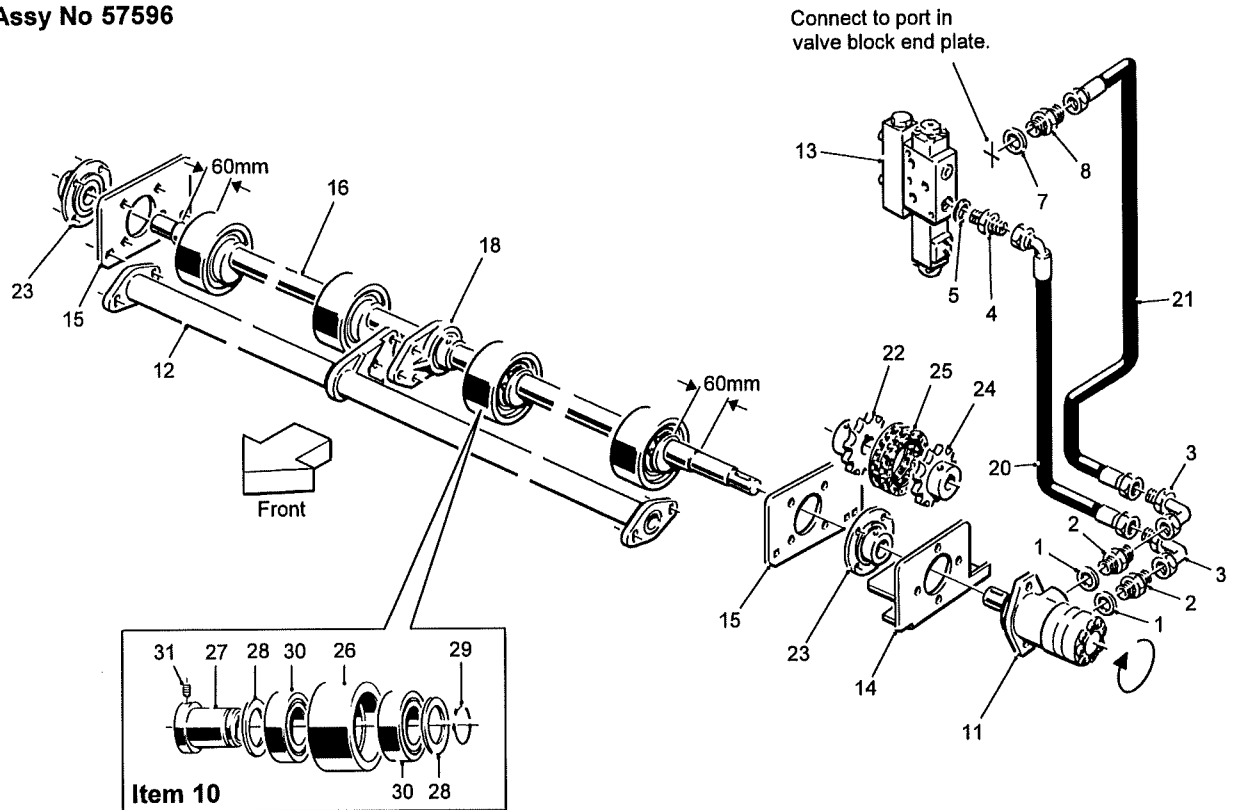
Item	Part No.	Description	Qty.	Remarks
1	10140	1/2"BSP Male Probe	1	
2				
3	11124	1/2"BSP Dowty Seal	1	
4	11125	3/8"BSP Dowty Seal	1	
5				
6	27391	3/8"BSPxØ15 Pipe M Stud Coupling	1	
7				
8	11123	3/4"BSP Dowty Seal	1	Was 31167
9				
10	32037/4	90°Sensor Cable (10m)	1	
11				
12	52312	3/8"Hose Assembly (3000mm)	1	
13	61900	Blanking Plug	1	
14	57365	Accumulator Bracket	1	
15	61891	Drawbar	1	
16	57367	Cover Plate	1	
17	61871A	PTO Support	1	
18	61892	Sensor Mounting	1	
19	61893	Stand	1	
20	57183	Stand Pin	1	
21				
22	RPA610.301557	Sliding Drawbar Section	1	
23	RPC626.311691	Hose Clamp	2	
24	RPC632.308429	'Pressurised System' Decal	1	(not shown)
25	RPC700.301645	Plastic Cover	1	
26	RPC730.301681	Rubber	1	
27	RPE282.303483X/1	Proximity Sensor	1	
28	RPGMB92.03258	Pressure Gauge	1	
29	RPGMB92.04031	Safety Lock Valve	1	
30	RPH405.301659	1/2"Hose Assembly (2080mm)	1	
31	RPH510.115082	Ø15xØ8 Straight Reducer Coupling	1	
32	60963	3/4"BSPxØ15 Male Stud Coupling	1	Was RPH512.122152
33	RPH516.204082	Pressure Gauge Coupling	1	
34	RPH522.100122	12L Straight Double Standpipe	2	
35	RPH532.100122	12L Adjustable Elbow	1	
36	RPH542.100152	15L M M F Tee	2	
37	RPH802.301657	3/4"BSP Accumulator (50 bar)	1	Accumulator was M22
38	RPH872.301552	Hydraulic Ram	1	
39	RPM176.301696	Spacer	2	
40	61897	Block	2	
41	RPM254.301644	Strap	1	
42	RPP500.202000	1/8"BSP Muffler	1	
43	RPH510.115122	12L Mx15L FM Reducer	1	
44	RPH532.100152	15L Adjustable Elbow	1	
45	REK215	Linchpin	1	
46				
47	UC25	1/2"BSPx3/8"BSP M M Adaptor	1	
48				
49	W0847	12Lx3/8"BSP M M Adaptor	1	
50				
51	SS030017/072	Steel Spacer	2	



Machines from 2019

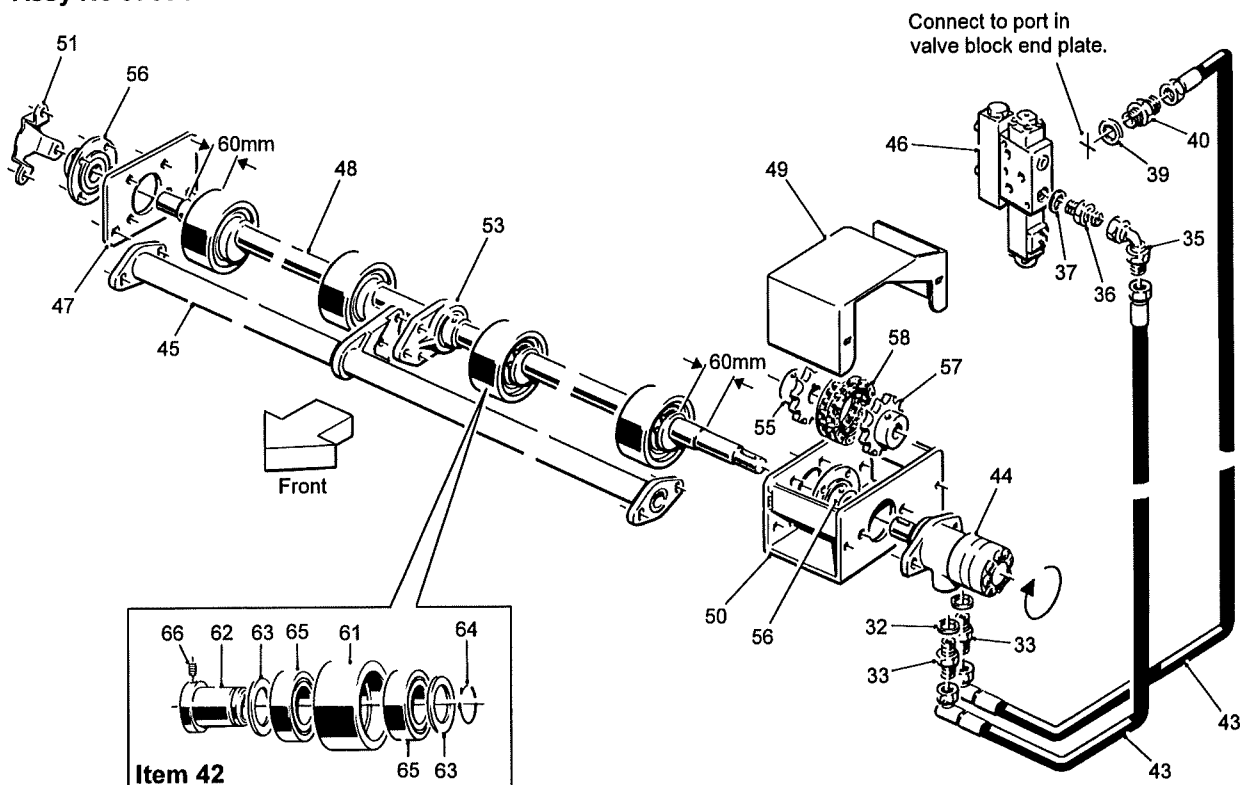
## Hydraulic Agitators (with eccentric rollers)

### Rear Agitator Assembly Assy No 57596



UP-SP097

### Front Agitator Assembly Assy No 57594



## 5.2a

## UNIPLUS 2400 SPARE PARTS

Machines from 2019

## Hydraulic Agitators (with eccentric rollers)

Item	Part No.	Description	Qty.	Remarks
	57596	Rear Agitator Assembly Consists Of:		
1	11124	1/2"BSP Dowty Seal	2	
2	12315	1/2"BSP M M Adaptor	2	
3	26086	1/2"BSP MF Swept 90° Adaptor	2	
4	27459	M18x1/2"BSP M M Adaptor	1	
5	27461	M18 Dowty Seal	1	
6				
7	31167	M22 Dowty Seal	1	
8	31168	M22x1/2"BSP M M Adaptor	1	
9				
10	68051	Eccentric Roller Assembly	4	(see list at end)
11	51633	Hydraulic Motor	1	
12	57618	Centre Bearing Support	1	
13	57217	Valve Section Complete	1	
14	57684B	Motor Plate	1	Prior to 2024 was 57684
15	57685	Bearing Plate	2	
16	57646	Agitator Shaft	1	
17				
18	UCFB210	Bearing	1	
19				
20	60250	1/2"Hose Assembly (1300mm)	1	
21	60346	1/2"Hose Assembly (1300mm)	1	
22	RPM182.300352	12T 3/4"Pitch Sprocket	1	
23	MFC35	Bearing	2	
24	RPM182.300350	12T 3/4"Pitch Sprocket	1	
25	RPT738.600012	3/4"Pitch Duplex Drive Chain	1	
	<b>68051</b>	<b>Eccentric Roller Assembly Consists Of:</b>		
26	56189	Roller	1	
27	56190	Hub	1	
28	56223	Washer	2	
29	56191	Circlip	1	
30	6014RS	Bearing	2	
31	22018008/010	M8 Grub Screw	1	
	<b>57594</b>	<b>Front Agitator Assembly Consists Of:</b>		
32	11124	1/2"BSP Dowty Seal	2	
33	12315	1/2"BSP M M Adaptor	2	
34				
35	26086	1/2"BSP MF Swept 90° Adaptor	1	
36	27459	M18x1/2"BSP M M Adaptor	1	
37	27461	M18 Dowty Seal	1	
38				
39	31167	M22 Dowty Seal	1	
40	31168	M22x1/2"BSP M M Adaptor	1	
41				
42	68051	Eccentric Roller Assembly	4	(see list at end)
43	51139	1/2"Hose Assembly (2500mm)	2	
44	51633	Hydraulic Motor	1	
45	57618	Centre Bearing Support	1	
46	57217	Valve Section Complete	1	

**UNIPLUS 2400 SPARE PARTS****5.2b**

Machines from 2019

**Hydraulic Agitators (with eccentric rollers)**

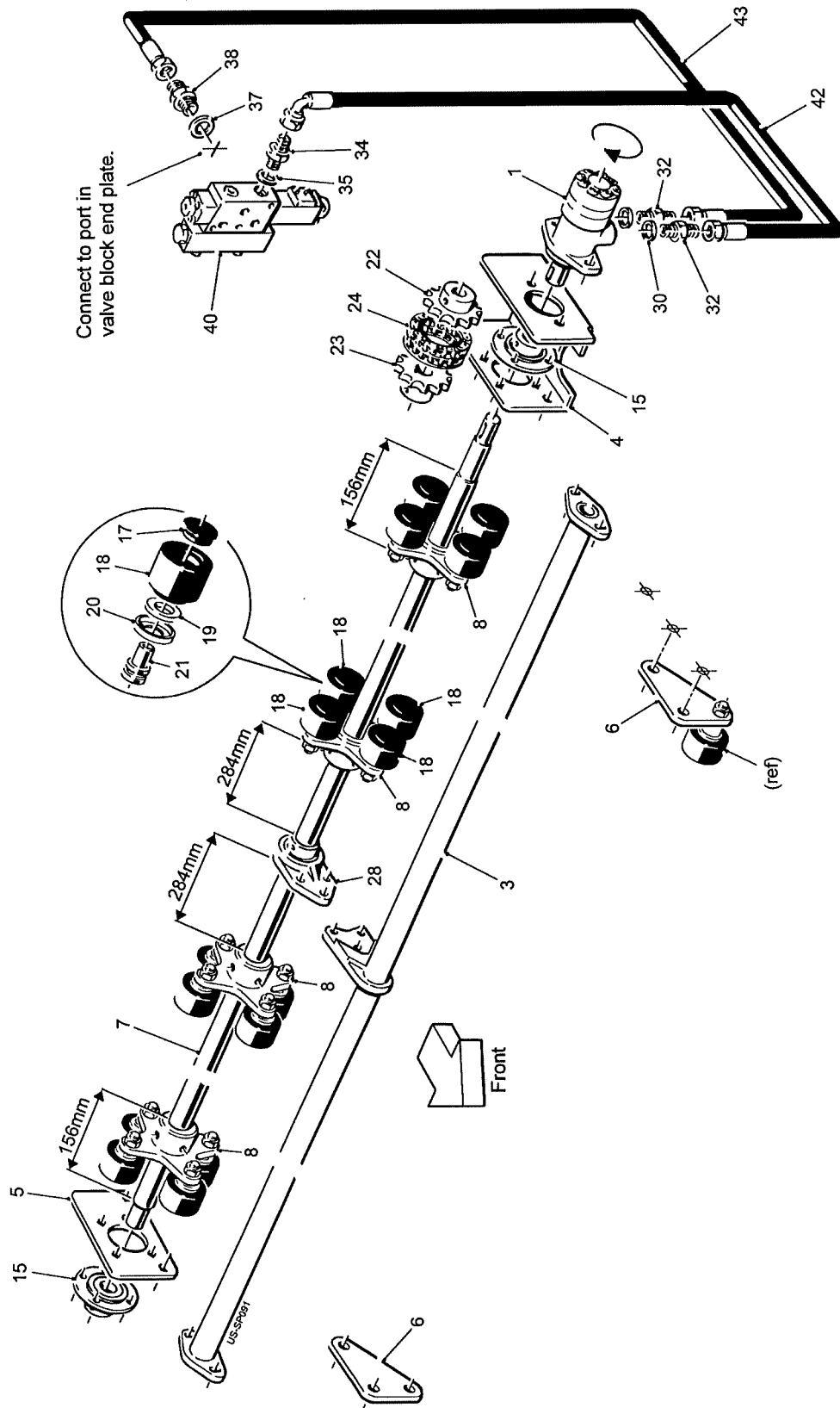
Item	Part No.	Description	Qty.	Remarks
47	57685	Bearing Plate	1	
48	57646	Agitator Shaft	1	
49	57462A	Drive Guard	1	
50	57683	Motor Plate	1	
51	57475	Bearing Shield	1	
52				
53	UCFB210	Bearing	1	
54				
55	RPM182.300352	12T 3/4"Pitch Sprocket	1	
56	MFC35	Bearing	2	
57	RPM182.300350	12T 3/4"Pitch Sprocket	1	
58	RPT738.600012	3/4"Pitch Duplex Drive Chain	1	
59				
60	TR478	'1st Agitator' Decal & Symbol Decal	1	(not shown)
	<b>68051</b>	<b>Eccentric Roller Assembly</b>		
		<b>Consists Of:</b>		
61	56189	Roller	1	
62	56190	Hub	1	
63	56223	Washer	2	
64	56191	Circlip	1	
65	6014RS	Bearing	2	
66	22018008/010	M8 Grub Screw	1	



Machines from 2019

## Hydraulic Rear Agitator (with plain rollers)

Assy No 57919



## 5.3a

## UNIPLUS 2400 SPARE PARTS

Machines from 2019

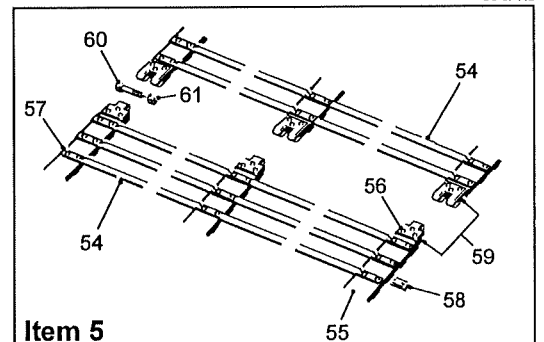
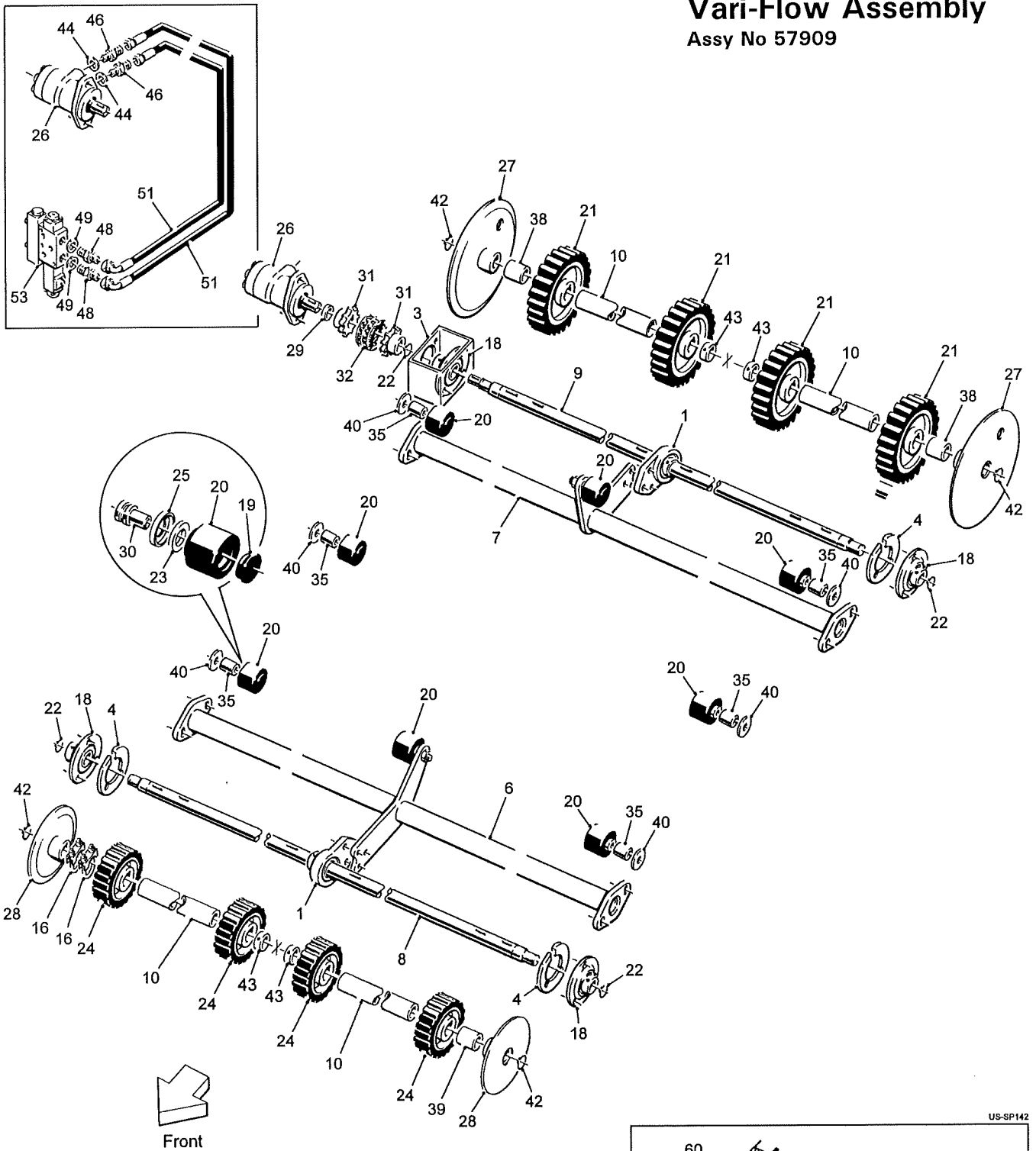
## Hydraulic Rear Agitator (with plain rollers)

Assy No 57919

Item	Part No.	Description	Qty.	Remarks
1	51633	Hydraulic Motor	1	
2				
3	57618	Centre Bearing Support	1	
4	57684	Motor Mounting	1	
5	57685	Bearing plate	1	
6	57905	Roller Drop Plate	2	
7	57920	Agitator Shaft	1	
8	57921	Roller Mounting	4	
9				
10				
11				
12				
13				
14				
15	MFC35	Bearing	2	
16				
17	RPC620.303070	Cap	16	
18	RPC700.300148	Ø75 Plain Roller c/w Bearings	16	
19	RPGM070.00446	Felt Seal	16	
20	RPGM089.00565	Roller Shield	16	
21	RPM180.303071	Pivot Bush	16	
22	RPM182.300350	12T 3/4"Pitch Sprocket (Ø25 bore)	1	
23	RPM182.300352	12T 3/4"Pitch Sprocket (Ø30 bore)	1	
24	RPT738.600012	3/4"Pitch Duplex Drive Chain	1	
25				
26				
27				
28	UCFB210	Bearing	1	
29				
		<b>Hydraulic Components Consist Of:</b>		
30	11124	1/2"BSP Dowty Seal	2	
31				
32	12315	1/2"BSP M M Adaptor	2	
33				
34	27459	M18x1/2"BSP M M Adaptor	1	
35	27461	M18 Dowty Seal	1	
36				
37	31167	M22 Dowty Seal	1	
38	31168	M22x1/2"BSP M M Adaptor	1	
39				
40	57217	Valve Section Complete	1	
41				
42	60250	1/2"Hose Assembly (1300mm)	1	
43	60346	1/2"Hose Assembly (1300mm)	1	

Machines from 2019

## Vari-Flow Assembly Assy No 57909



US-SP142

## 5.4a

## UNIPLUS 2400 SPARE PARTS

Machines from 2019

## Vari-Flow Assembly

Assy No 57909

Item	Part No.	Description	Qty.	Remarks
1	56601	Bearing	2	
2				
3	57260	Motor Mounting	1	
4	57262	Bearing Spacer Plate	3	
5	57913	Short Web Assembly	1	(see list at end)
6	57914	Front Roller Frame	1	
7	57915	Rear Roller Frame	1	
8	57916	Front Roller Shaft	1	
9	57917	Rear Roller Shaft	1	
10	57918	Spacer Tube	4	
11				
12				
13				
14				
15				
16	58122	Ø35mm Clamp Complete	2	
17				
18	RPB210.022062	Bearing	4	
19	RPC620.303070	Cap	8	
20	RPC700.300148	Ø75 Plain Roller c/w Bearings	8	
21	RPC700.302947	Drive Roller	4	
22	RPF200.030200	Ø30 External Circlip	4	
23	RPGM070.00446	Felt Seal	8	
24	RPGM076.00823A	Drive Roller	4	
25	RPGM089.00565	Roller Shield	8	
26	44563	Hydraulic Motor	1	
27	RPM124.303188	Flange	2	
28	RPM124.303321	Flange	2	
29	RPM176.303034	1 1/2" Spacer	1	
30	RPM180.303071	Pivot Bush	8	
31	RPM182.303035	12T 3/4"Pitch Sprocket	2	
32	RPT738.600012	3/4"Pitch Duplex Drive Chain	1	
33				
34				
35	SS040017/045	Steel Spacer	6	
36				
37				
38	SS042036/051	Steel Spacer	2	
39	SS042036/065	Steel Spacer	1	
40	SS070017/005	Steel Spacer	6	
41				
42	W0118	Ø35 External Circlip	4	
43	SPCT131	Ø35 Locking Collar	4	
		<b>Hydraulic Components Consists Of:</b>		
44	11124	1/2"BSP Dowty Seal	2	
45				
46	12315	1/2"BSP M M Adaptor	2	
47				
48	27459	M18x1/2"BSP M M Adaptor	2	
49	27461	M18 Dowty Seal	2	
50				
51	46296	1/2"Hose Assembly (3600mm)	2	
52				
53	57444	Valve Section Complete	1	



**UNIPLUS 2400 SPARE PARTS****5.4b**

Machines from 2019

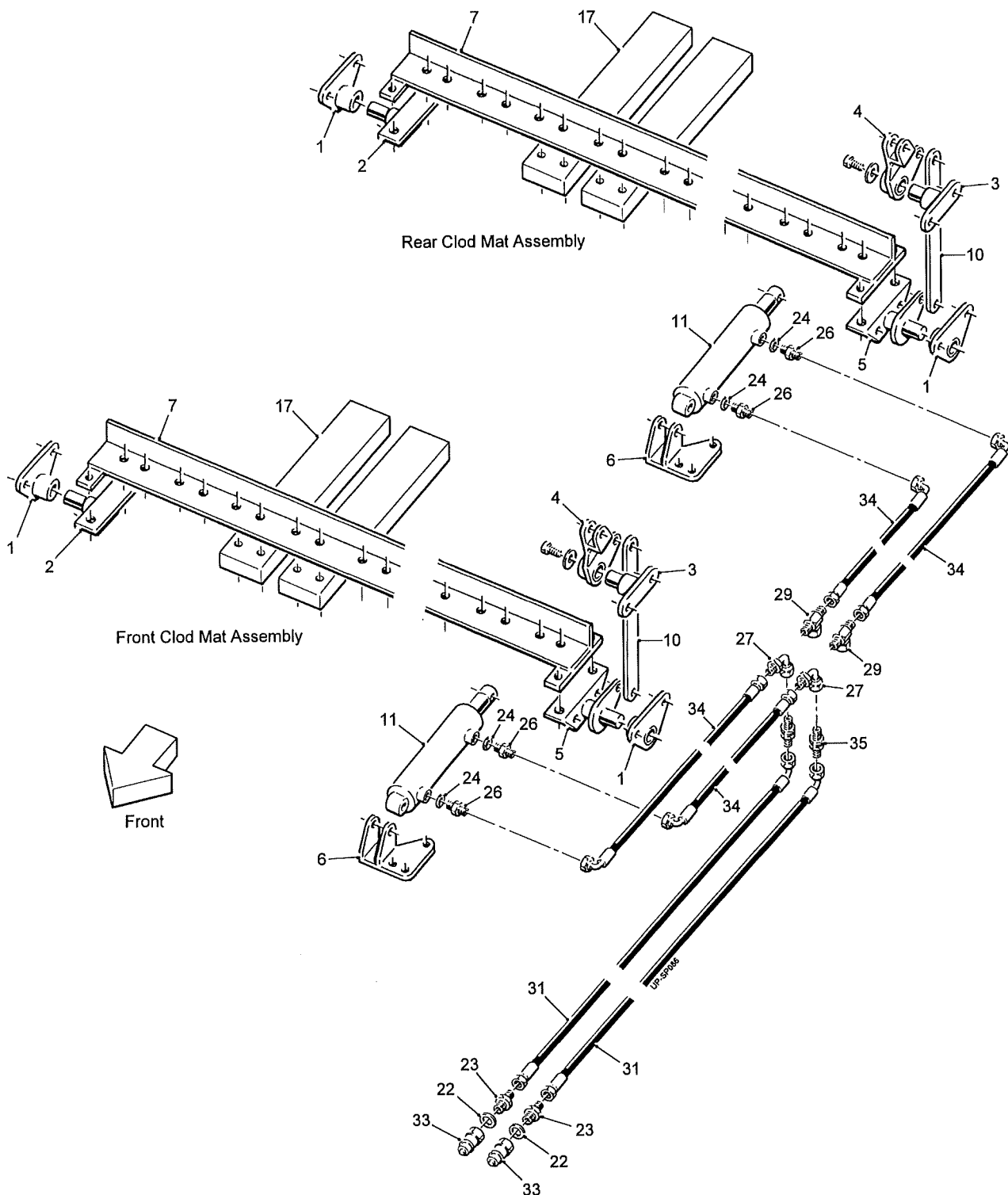
**Vari-Flow Assembly****Assy No 57909**

Item	Part No.	Description	Qty.	Remarks
	<b>57913</b>	<b>Short Web Assembly Consists Of:</b>		
54	57913/1	Ø15 Web Rod	48	
55	57263/2	Web Belt	3	
56	RPF240.150300	Connector Rivet	18	
57	RPF240.160250	Web Rod Rivet	288	
58	RPGM019.00069	Back Plate	144	
59	RPM419.264032	Connector Plates	3 pair	
60	22016010/080	M10x80 CSK Bolt	3	
61	22041010	M10 Nyloc Nut	3	



Machines from 2019

## Hydraulic Clod Mat Assembly



## 5.5a

## UNIPLUS 2400 SPARE PARTS

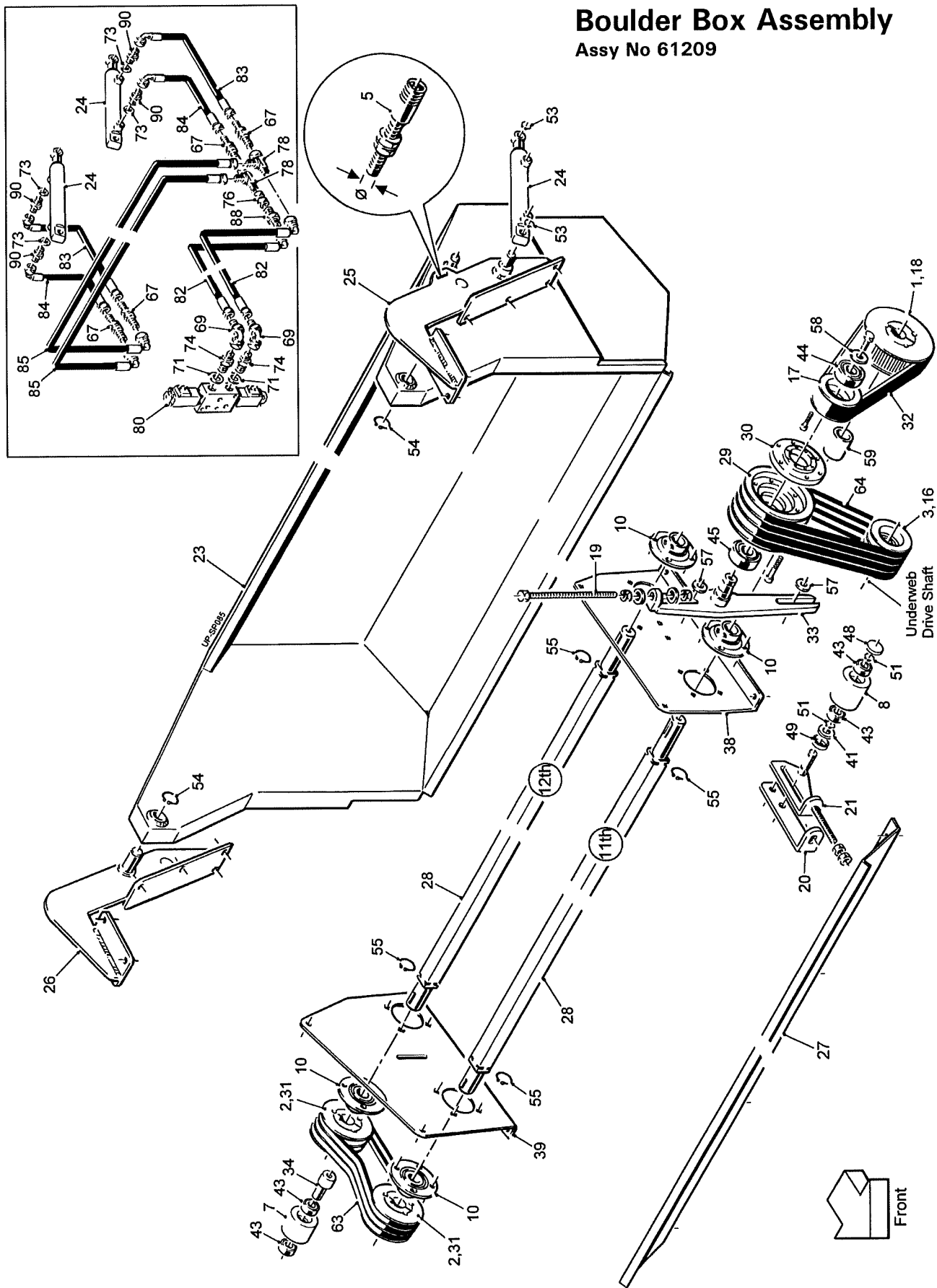
Machines from 2019

## Hydraulic Clod Mat Assembly

Item	Part No.	Description	Qty.	Remarks
1	57545	Pivot Boss	4	
2	57546	Pivot Spigot	2	
3	57658	Pivot Mounting	2	
4	57659	Pivot Arm	2	
5	57660	Pivot Arm	2	
6	57661	Ram Mounting	2	
7	57714	Clod Bracket	2	
8				
9				
10	57936	Long Link	2	
11	57999	Hydraulic Ram	2	
12				
13				
14				
15				
16				
17	RPS700.301088	Clod Mat Rubber	34	
18				
19	TR497	Decal	1	Not shown
20	TR499	Decal	1	Not shown
21				
		<b>Hydraulic Components Consist Of:</b>		
22	11124	1/2"BSP Dowty Seal	2	
23	16356	1/4"BSP x 1/2"BSP M M Adaptor	2	
24	11337	1/4"BSP Dowty Seal	4	
25				
26	12316	1/4"BSP M M Adaptor	4	
27	12378	1/4"BSP M F Swept 90° Adaptor	2	Single clod mat only
28				
29	37199	1/4"BSP M M F Tee	2	Double clod mat only
30				
31	52426	1/4"Hose Assembly (8000mm)	2	
32				
33	10140	1/2"BSP Male Probe	2	
34	60194	1/4"Hose Assembly (500mm)	4	
35	60483	1/4"BSP Bulkhead Adaptor	2	

Machines from 2019

## Boulder Box Assembly Assy No 61209



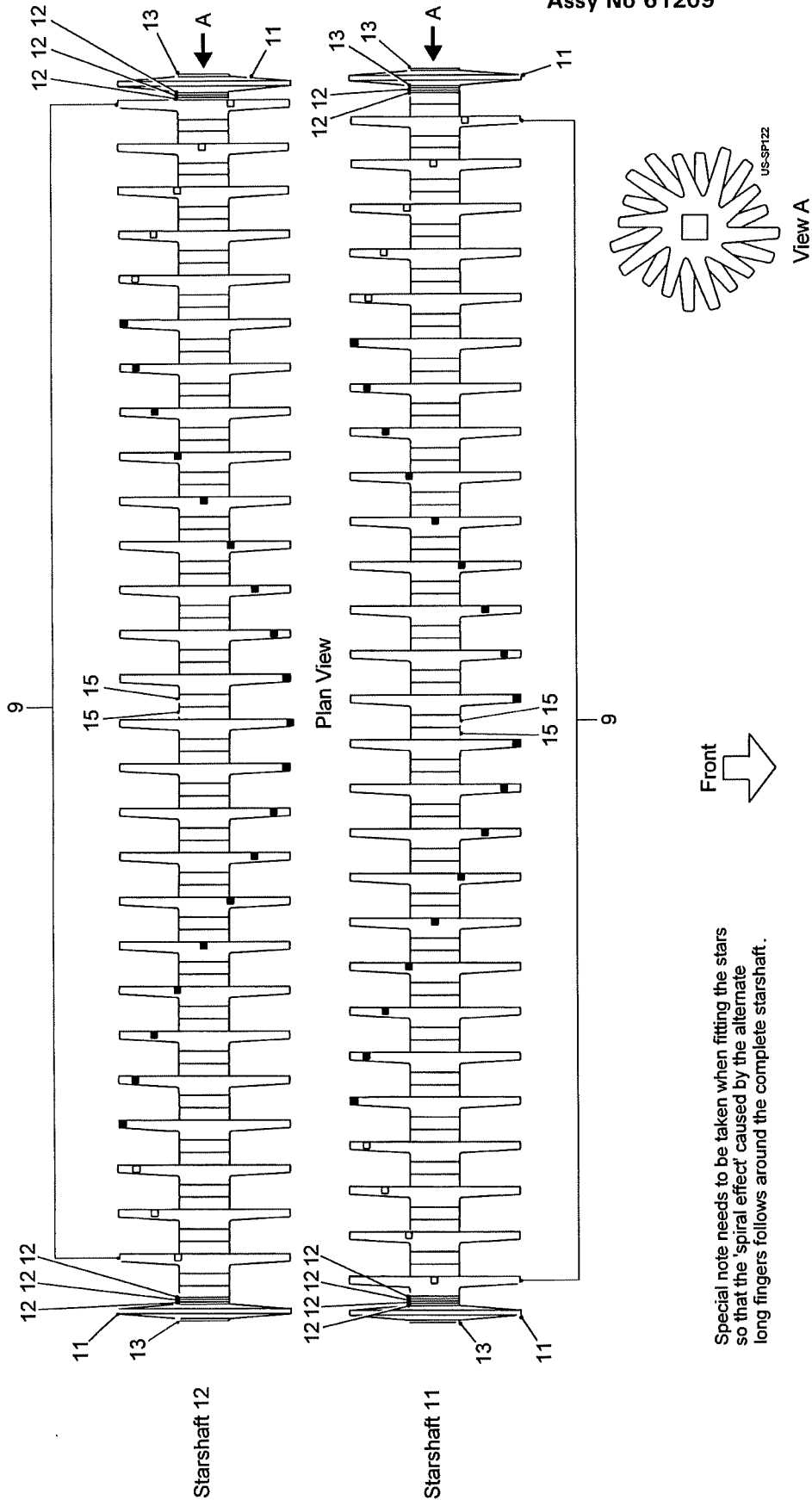
# 5.6a

# UNIPLUS 2400 SPARE PARTS

Machines from 2019

## Boulder Box Assembly

Assy No 61209



Special note needs to be taken when fitting the stars so that the 'spiral effect' caused by the alternate long fingers follows around the complete starshaft.

**UNIPLUS 2400 SPARE PARTS****5.6b**

Machines from 2019

**Boulder Box Assembly****Assy No 61209**

Item	Part No.	Description	Qty.	Remarks
1	33042	Taperlock Bush (3020-45)	1	
2	33154	Taperlock Bush (2517-45)	2	
3	33162	Taperlock Bush (2012-45)	1	
4				
5	41504	Proximity Sensor (Ø12)	1	Was 36124 (Ø8)
6				
7	37508	Ø75 Steel Roller (narrow)	1	
8	37508A	Ø75 Steel Roller (wide)	1	
9	57001	5 + 5 Finger Star (40mm wide)	54	
10	57002	Bearing	4	
11	57036	End Disc	4	
12	57038	Spacer (5mm wide)	12	
13	57039	Retaining Washer (2.6mm wide)	5	
14				
15	57324	Star Spacer (25mm wide)	108	
16	57333	Ø132 Pulley	1	
17	57744B	32T Pulley	1	
18	57745	56T Pulley	1	
19	57749	Tensioner Rod	1	
20	57754	Adjuster Bracket	1	
21	57755B	Roller Tensioner	1	
22				
23	61197	Boulder Box	1	
24	61198	Hydraulic Ram	2	
25	61199	LH Bracket	1	Not used with stone Elevator
26	61200	RH Bracket	1	Not used with stone Elevator
27	61201	Deflector Panel	1	
28	61202	Star Shaft	2	
29	61213	4 'V'Belt Pulley	1	
30	61214	Pulley Adaptor	1	
31	61215	Ø167 Pulley	2	
32	61216	Drive Belt	1	
33	61217	Tensioner Slide	1	
34	61218	Roller Spindle	1	
35				
36				
37				
38	57150	Bearing Plate LH	1	
39	57151	Bearing Plate RH	1	
40				
41	0000300504	Felt Seal	1	
42				
43	6005RS	Bearing	4	
44	63082RS	Bearing	1	
45	63102RS	Bearing	1	
46				
47				
48	PH407/1	Plastic Cap	1	
49	PH408	Plastic Cap	1	
50				
51	PS843	Ø25 External Circlip	2	
52				
53	RPF200.030200	Ø30 External Circlip	4	
54	RPF200.040250	Ø40 External Circlip	2	
55	RPF200.060300	Ø60 External Circlip	4	

**5.6c****UNIPLUS 2400 SPARE PARTS**

Machines from 2019

**Boulder Box Assembly**

Assy No 61209

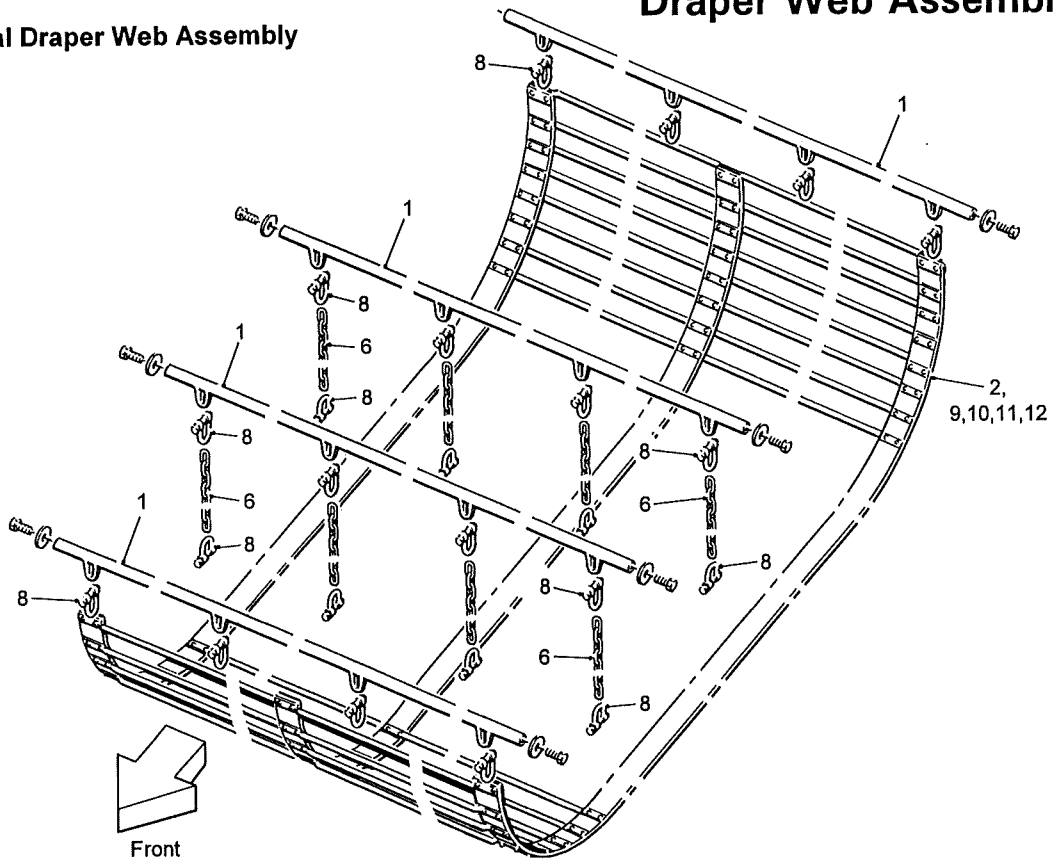
Item	Part No.	Description	Qty.	Remarks
56				
57	SS045013/006	Steel Spacer	2	
58	SS045017/006	Steel Spacer	1	
59	SS051046/072	Steel Spacer	1	
60				
61				
62				
63	VB91	'V' Belt	3	
64	VB96	'V' Belt	4	
65				
66				
67	10466	Hydraulic Components Consists Of: 3/8"BSP Bulkhead Adaptor	4	
68				
69	13189	3/8"BSP M F Swept 90° Adaptor	2	
70				
71	27461	M18 Dowty Seal	2	
72				
73	37104	M16 Dowty Seal	4	
74	37599	M18x3/8"BSP M M Adaptor	2	
75				
76	43592	3/8"BSP F F Adaptor	1	
77				
78	46939	3/8"BSP F M M Tee	2	
79				
80	57085/3	D/A Valve Section	1	
81				
82	60480	3/8"Hose Assembly (3200mm)	2	
83	60168	3/8"Hose Assembly (700mm)	2	
84	60280	3/8"Hose Assembly (510mm)	2	
85	52099	3/8"Hose Assembly (5200mm)	2	
86				
87				
88	DW222008066	3/8"BSP M M Restrictor	1	
89				
90	RPH700.170616	M16x3/8"BSP M M Adaptor	4	



Machines from 2019

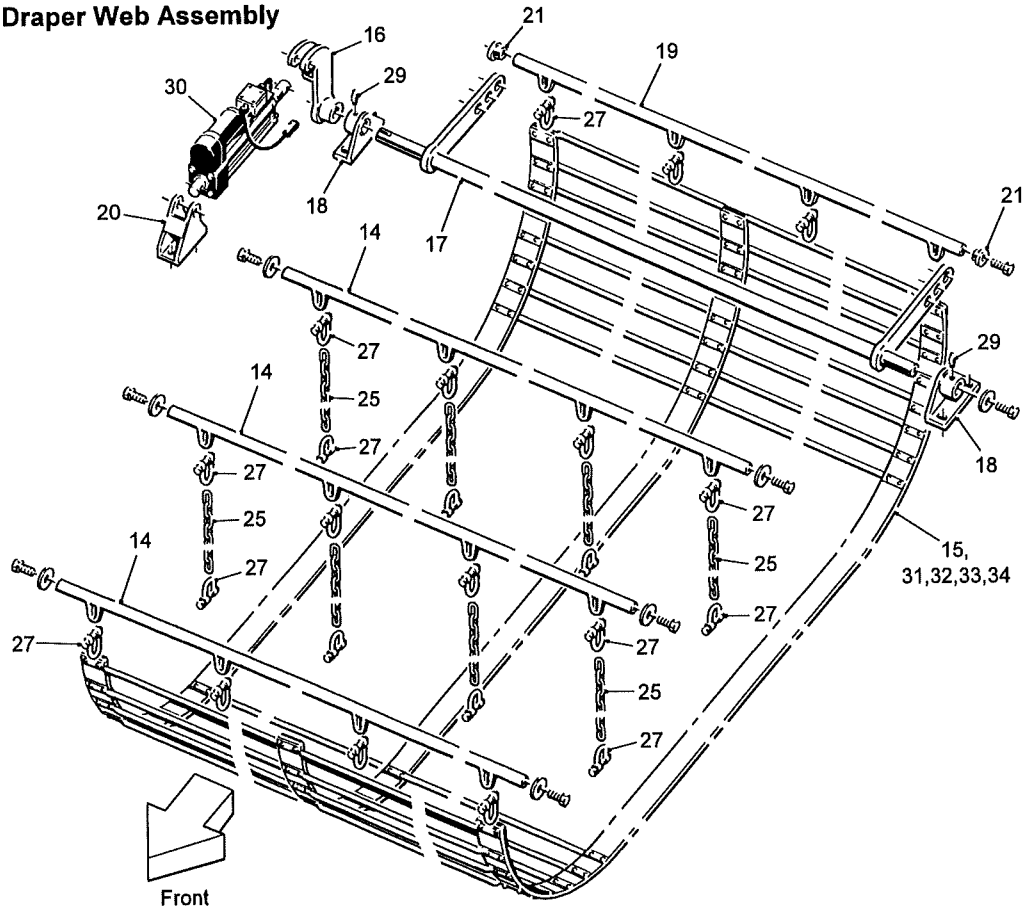
## Draper Web Assemblies

### Manual Draper Web Assembly



### Electric Draper Web Assembly

US-SP069



## 5.8a

## UNIPLUS 2400 SPARE PARTS

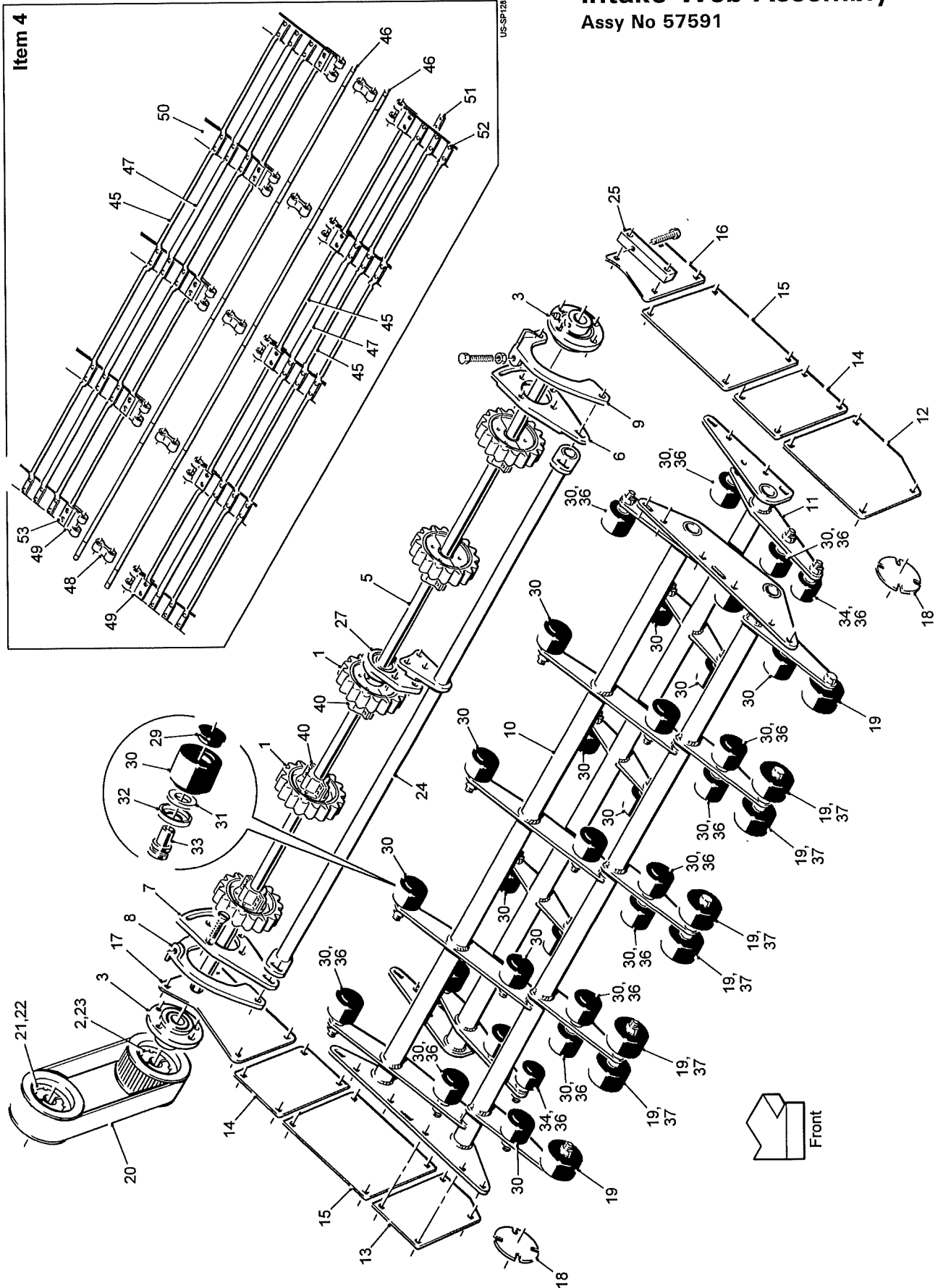
Machines from 2019

## Draper Web Assemblies

Item	Part No.	Description	Qty.	Remarks
1	57715	<b>Manual Draper Web Assy Consists Of:</b> Support Bar	4	(see list at end)
2	57707	Draper Web Complete (1485mm wide)	1	
3				
4				
5				
6	GS506/15	Chain	8	
7				
8	H171	Shackle	24	
	<b>57707</b>	<b>Draper Web Consists Of:</b>		
9	57707/1	Web Rod	38	
10	57263/2	Web Belt	3	
11	RPGM019.00069	Web Rod Backplate	114	
12	RPF240.160250	Rivet for Web Rod	228	
13				
		<b>Electric Draper Web Assy Consists Of:</b>		
14	57715	Support Bar	3	(see list at end)
15	57707	Draper Web (1485mm wide)	1	
16	57701	Lever	1	
17	57708	Lever Arm	1	
18	57703	Pivot Bracket	2	
19	57706	Support Bar	1	
20	57709	Actuator Mounting	1	
21	57725	Top Hat Washer	2	
22				
23				
24				
25	GS506/15	Chain	8	
26				
27	H171	Shackle	24	
28				
29	RPC648.081250	M8 Straight Grease Nipple	2	
30	RPE202.305394	Linear Actuator c/w Switch & Harness	1	
	<b>57707</b>	<b>Draper Web Consists Of:</b>		
31	57707/1	Web Rod	38	
32	57263/2	Web Belt	3	
33	RPGM019.00069	Web Rod Backplate	114	
34	RPF240.160250	Rivet for Web Rod	228	
35				

Machines from 2019

## Intake Web Assembly Assy No 57591



## 5.9a

## UNIPLUS 2400 SPARE PARTS

Machines from 2019

## Intake Web Assembly

Assy No 57591

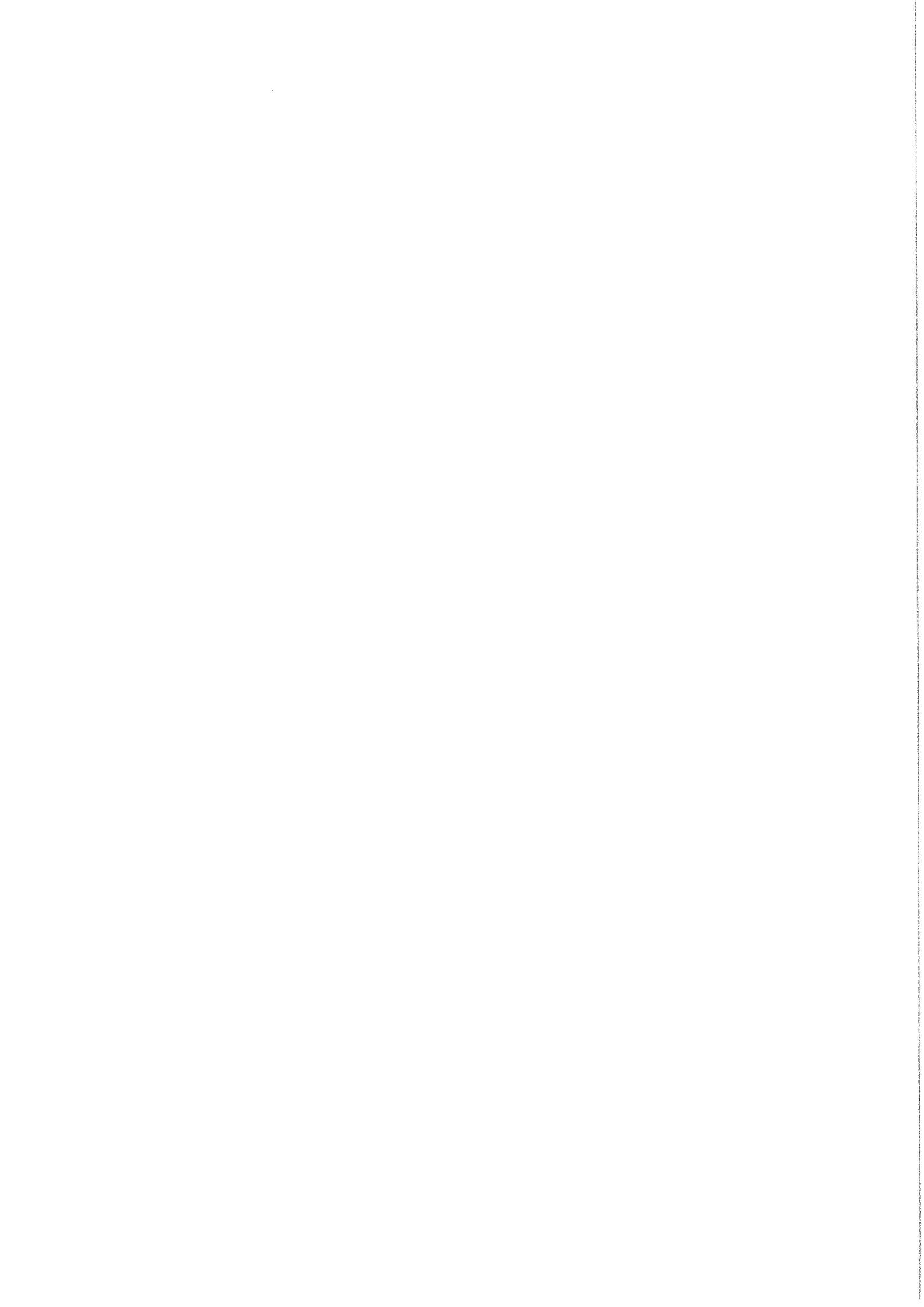
Item	Part No.	Description	Qty.	Remarks
1	61017/36/16	36mm Pitch Web Sprocket	5	Option
	61017/40/16	40mm Pitch Web Sprocket	5	Option
2	57608	Taperlock Bush (3030-50)	1	
3	57283	Bearing	2	
4	57992/36	36mm Pitch Web Assy (5 band)	1	Option
	57992/40	40mm Pitch Web Assy (5 band)	1	Option
5	61015	Web Drive Shaft	1	
6	57856	LH Bearing Mounting Plate	1	
7	57857	RH Bearing Mounting Plate	1	
8	57858	RH Adjuster Plate	1	
9	57859	LH Adjuster Plate	1	
10	57994/2400	Roller Support Frame	1	
11	57995/2400	Return Roller Frame	1	
12	57488	LH Front Blanking Plate	1	
13	57489	RH Front Blanking Plate	1	
14	57490	Blanking Plate (small)	2	
15	57491	Blanking Plate (large)	2	
16	57492	LH Rear Blanking Plate	1	
17	57493	RH Rear Blanking Plate	1	
18	57690	Front Blanking Plate	2	
19	57881	Roller Assembly	8	
20	57854	Drive Belt (115mm wide)	1	
21	57855	Taperlock Bush (3535-50)	1	
22	57853	56T Pulley (115mm wide)	1	
23	57852	48T Pulley (115mm wide)	1	
24	57640	Centre Bearing Support	1	
25	57912	Adjuster Bar	1	
26				
27	UCFB210	Bearing	1	
28				
29	RPC620.303070	Cap	30	
30	RPC700.300147	Ø95 Plain Roller c/w Bearings	28	
31	RPGM070.00446	Felt Seal Ring	30	
32	RPGM089.00565	Roller Shield	30	
33	RPM180.303071	Pivot Bush	30	
34	RPC700.300148	Ø75 Plain Roller c/w Bearings	2	
35				
36	SS025017/020	Steel Spacer	16	
37	SS025017/025	Steel Spacer	6	
38				
39				
40	61016	Drive Hub	5	
41				
42				
43				
44				
	<b>57992/36</b>	<b>36mm Pitch Web Assy Consists Of:</b>		
45	57992/1	Ø12 Web Rod	71	
46	57992/2	Ø11 Joining Rod	2	
47	57992/3	Ø15 Web Rod	14	
48	57642/36/4	36mm Pitch Double Pivot	5	
49	56155/2	36mm Pitch Female Joining Clip	10	

**UNIPLUS 2400 SPARE PARTS****5.9b**

Machines from 2019

**Intake Web Assembly****Assy No 57591**

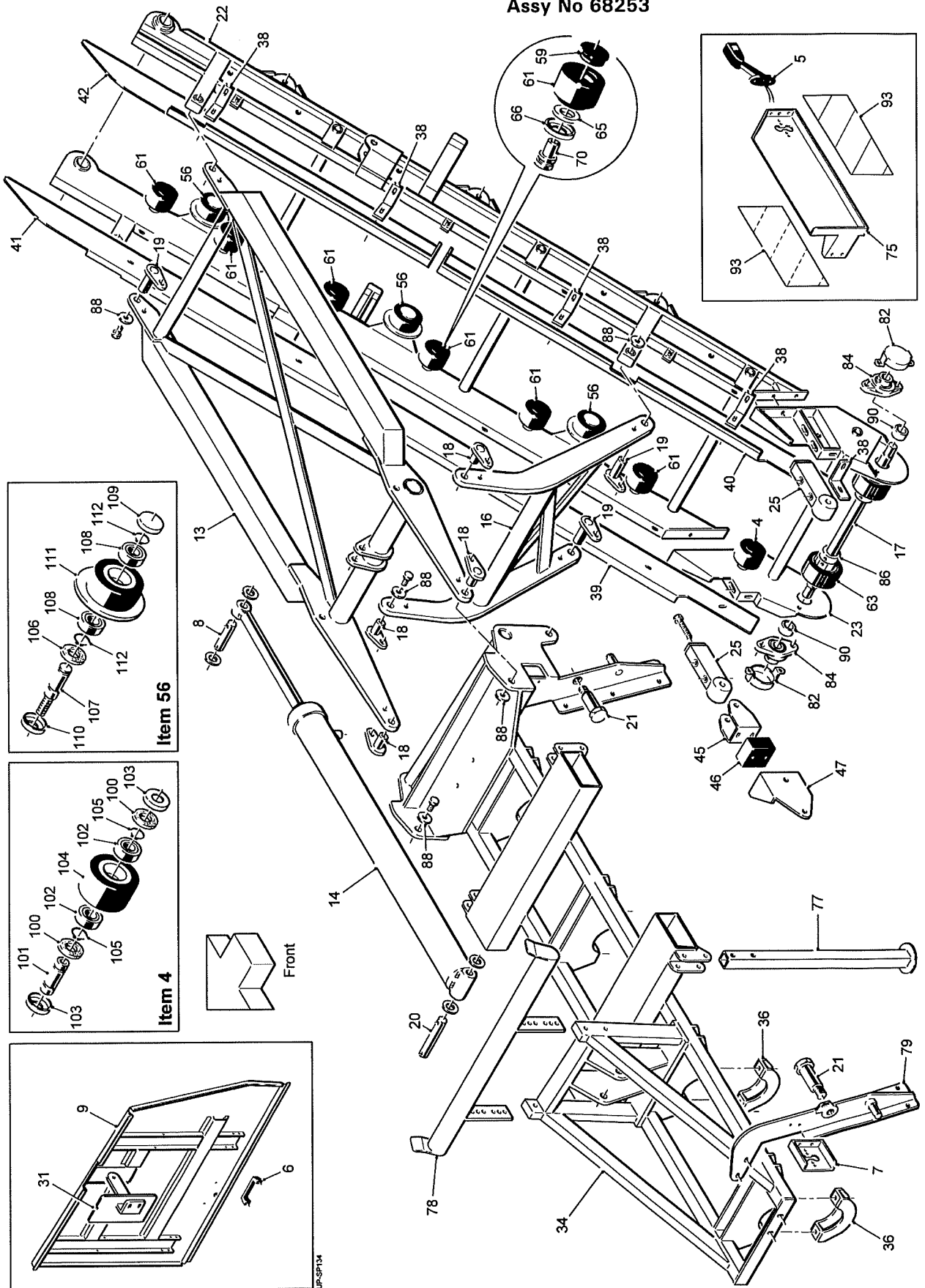
<b>Item</b>	<b>Part No.</b>	<b>Description</b>	<b>Qty.</b>	<b>Remarks</b>
50	57642/36/1	Web Belt	5	
51	56155/5	Clamp Plate	415	
52	RPF240.160250	Ø6 x25 Rivet	830	
53	RPF240.160300	Ø6x30 CSK Head Rivet	20	
54				
	<b>57992/40</b>	<b>40mm Pitch Web Assy Consists Of:</b>		
45	57992/1	Ø12 Web Rod	64	
46	57992/2	Ø11 Joining Rod	2	
47	57992/3	Ø15 Web Rod	13	
48	57642/40/4	40mm Pitch Double Pivot	5	
49	56156/2H	40mm Pitch Female Joining Clip	10	
50	57642/40/1	Web Belt	5	
51	56155/5	Clamp Plate	375	
52	RPF240.160250	Ø6 x25 Rivet	750	
53	RPF240.160300	Ø6x30 CSK Head Rivet	20	
54				



Machines from 2024

## Stone Elevator (with swan neck)

Assy No 68253



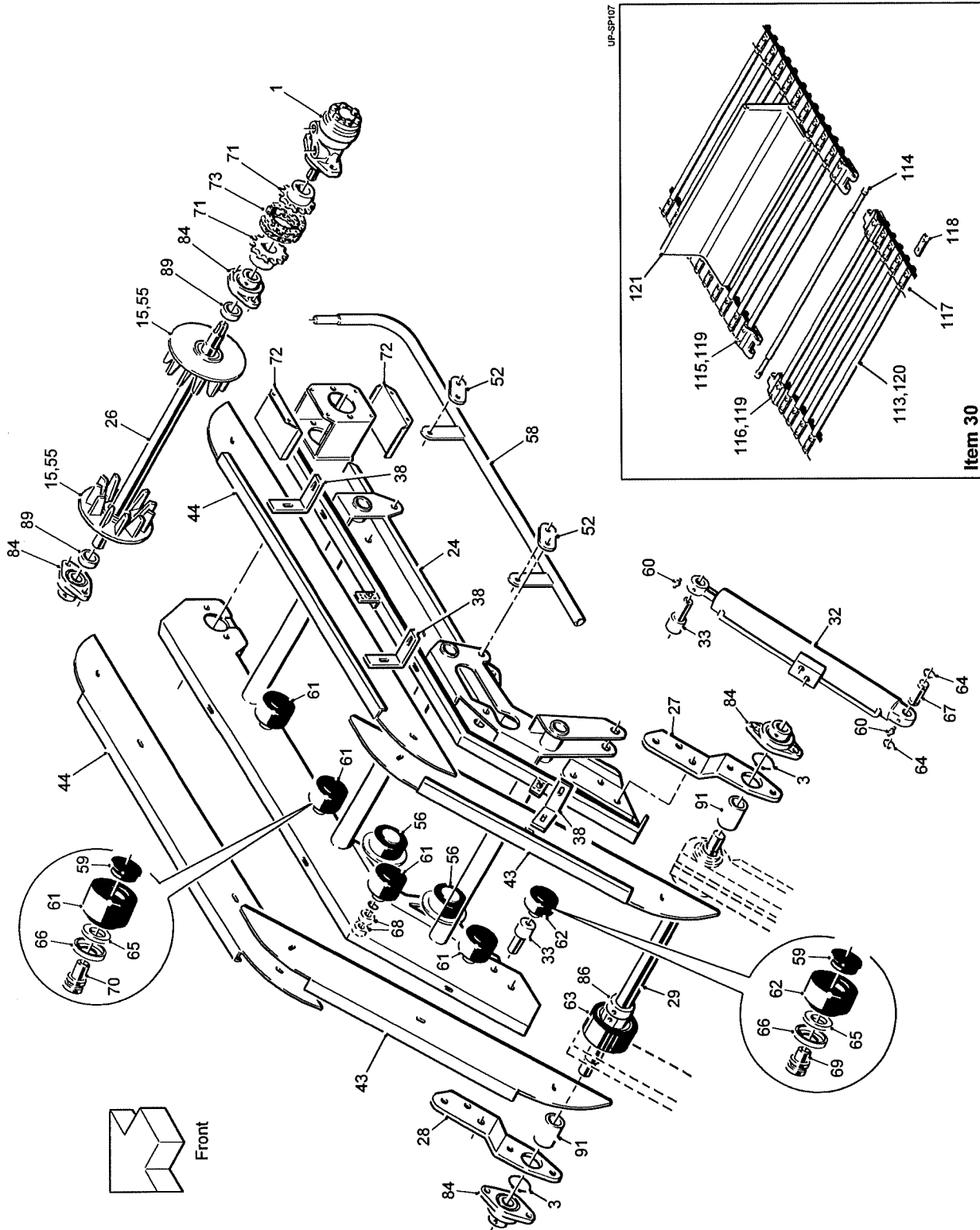
# 5.16a

# STAR UNIPLUS SPARE PARTS

Machines from 2024

## Stone Elevator (with swan neck)

Assy No 68253





**STAR UNIPLUS SPARE PARTS****5.16b**

Machines from 2024

**Stone Elevator (with swan neck)****Assy No 68253**

Item	Part No.	Description	Qty.	Remarks
1	11201	Hydraulic Motor	1	
2				
3	44176	Ø60 External Circlip	2	
4	47189	Ø90 Plain Roller Assembly	2	(see list at end)
5	50112	Marker Light	1	
6	50047	Guard Handle	1	
7	57257A	Rear Light Bracket LH	1	
8	52590	Ram Pin	1	
9	57688A	Guard 4 RH	1	
10				
11				
12				
13	68255	Lift Frame	1	
14	61007	Hydraulic Ram	1	
15	61010	28mm Pitch Web Sprocket	2	
16	68256	Lower Link	1	
17	68257	Roller Shaft (short)	1	
18	61043	Pivot Pin (short)	4	
19	61044	Pivot Pin (long)	4	
20	61045	Ram Pin	1	
21	68269	Boulder Box Shoulder Bolt	2	
22	68258	Elevator Centre Section	1	
23	68259	Elevator Bottom Section	1	
24	68260	Elevator Swan Neck Section	1	
25	61839	Roller Arm	2	
26	68261	Web Drive Shaft	1	
27	61843	Hinge Plate Rear	1	
28	61844	Hinge Plate Front	1	
29	68262	Roller Shaft (long)	1	
30	61850A	28mm Pitch Web Assembly	1	(see list at end)
31	68263	Support Bracket	1	
32	61864	Hydraulic Ram	2	
33	61873	Ram/Roller Pin	2	
34	68265	Elevator Mounting Frame	1	
35				
36	61965	Clamp	4	
37				
38	61977	Side Panel Support	16	
39	61978	Lower Side Panel Front	1	
40	61979	Lower Side Panel Rear	1	
41	61980	Upper Side Panel Front	1	
42	61981	Upper Side Panel Rear	1	
43	61982	Swan Neck Lower Side Panel	2	
44	61983	Swan Neck Upper Side Panel	2	
45	68264	Stop Block Support	2	
46	61991	Rubber Stop Block	2	
47	61992	Stop Block Bracket	1	
48				
49				
50				
51				
52	68156	Link Plate	4	
53				
54				
55	HERO9681A	Taperlock Bush (1610-35)	2	

## 5.16c

## STAR UNIPLUS SPARE PARTS

Machines from 2024

Stone Elevator (with swan neck)

Assy No 68253

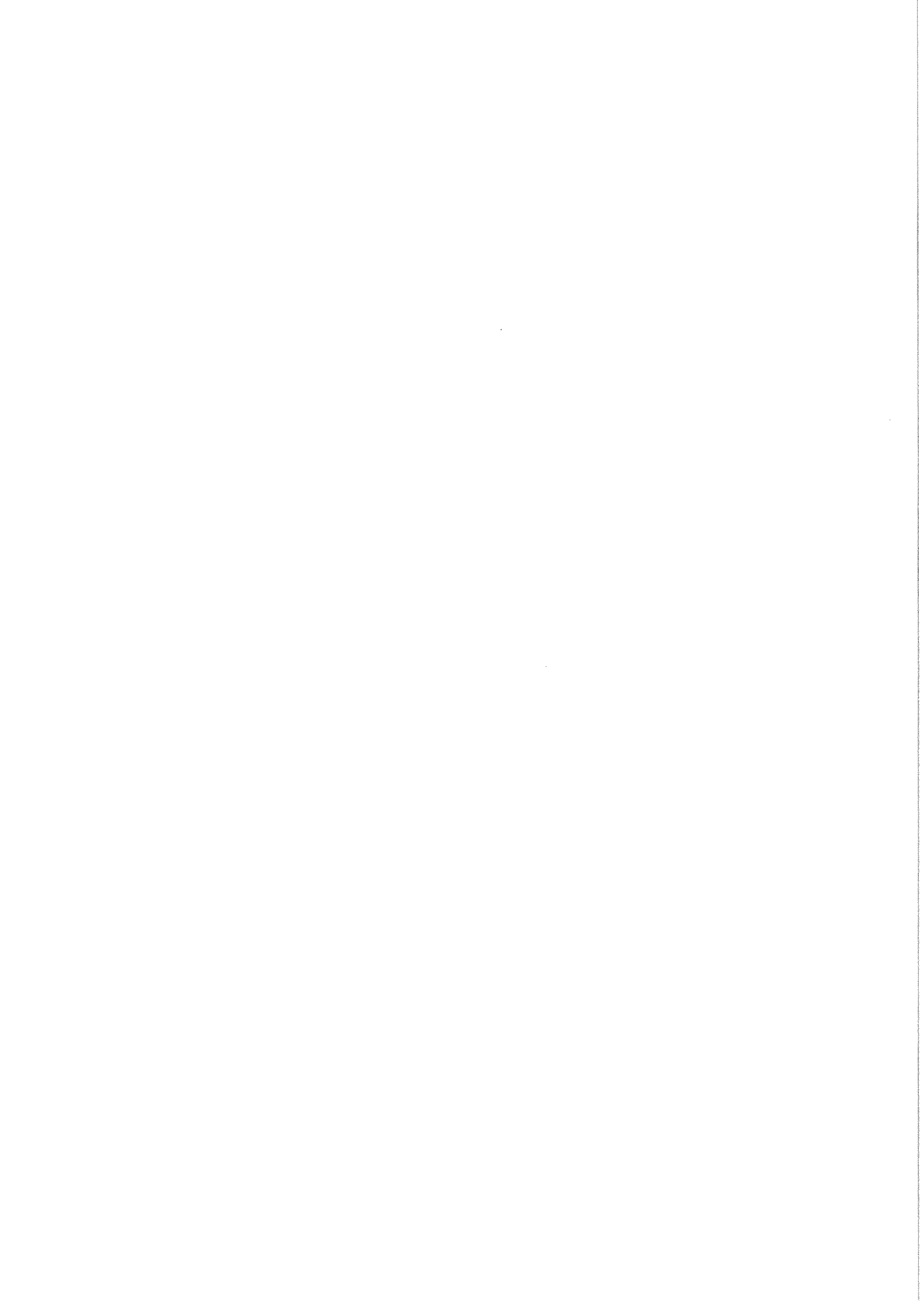
Item	Part No.	Description	Qty.	Remarks
56	KA16029	Ø90 Flanged Roller Assembly	10	(see list at end)
57				
58	RPA610.305953	Guard Rail	2	
59	RPC620.303070	Cap	24	
60	RPC648.081250	M8 Grease Nipple Straight	4	
61	RPC700.300147	Ø95 Plain Roller c/w Bearings	20	
62	RPC700.300227	Ø75 Plain Roller c/w Bearing	2	
63	RPC700.301543	Ø132 Roller	4	
64	RPF200.025200	Ø25 External Circlip	4	
65	RPGM070.00446	Felt Seal	24	
66	RPGM089.00565	Roller Shield	24	
67	RPM146.306262	Ram Pin	2	
68	RPM176.306318	Spacer (20mm)	4	
69	RPM180.300308	Roller Bush (30mm)	2	
70	RPM180.303071	Roller Bush (45mm)	24	
71	RPM182.300353	12T 3/4"Pitch Sprocket	2	
72	RPM216.306327	Guard	2	
73	RPT738.600012	3/4"Pitch Duplex Drive Chain	1	
74				
75	68139B	Rear Light Bracket RH	1	
76				
77	68266	Mounting Frame Legs	4	
78	68267	Elevator Rest	1	
79	68268	Boulder Box Mounting LH	1	
80				
81				
82	RPS603	Bearing Guard	2	
83				
84	SFT30	Bearing	6	
85				
86	SPCT131	Ø35 Stop Collar	4	
87				
88	SS040011/003	Steel Spacer	8	
89	SS042036/010	Steel spacer	2	
90	SS042036/022	Steel Spacer	2	
91	SS042036/082	Steel Spacer	2	
92				
93	TR496	Red/White Stripe Reflector Decal	2	
94				
95				
96				
97				
98				
99				
	<b>47189</b>	<b>Plain Roller Assembly Consists Of:</b>		
100	0000300504	Felt Seal	2	
101	47141	Roller Spindle	1	
102	6005RS	Bearing	2	
103	PH408	Seal	2	
104	PH77AR	Plain Roller	1	
105	PS843	Circlip	2	

**STAR UNIPLUS SPARE PARTS****5.16d**

Machines from 2024

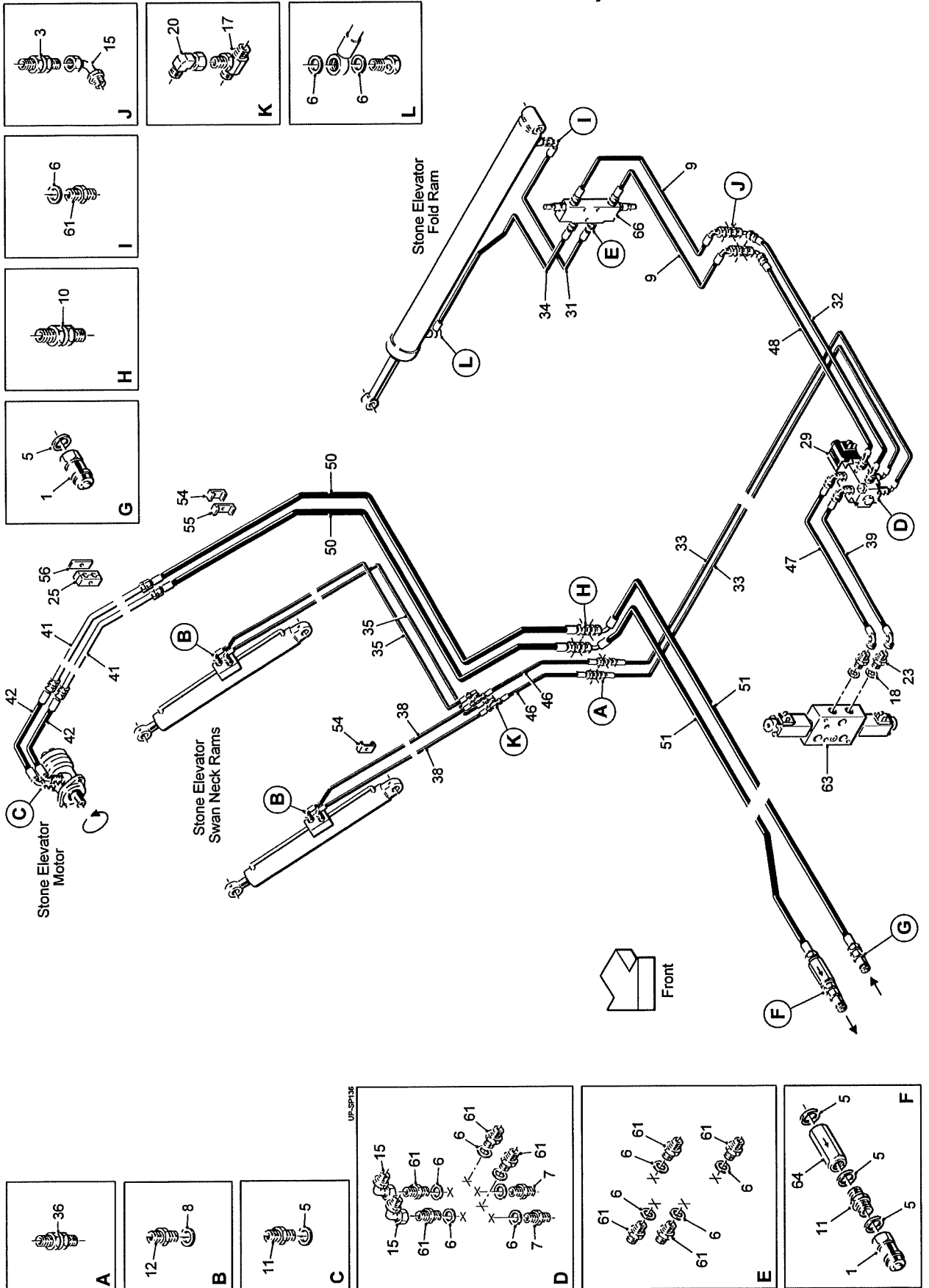
**Stone Elevator (with swan neck)****Assy No 68253**

Item	Part No.	Description	Qty.	Remarks
	<b>KA16029</b>	<b>Flanged Roller Assembly Consists Of:</b>		
106	0000300504	Felt Seal	1	
107	KA16029/2	Roller Spindle	1	
108	6005RS	Bearing	2	
109	PH407	Seal	1	
110	PH408	Seal	1	
111	KA16029/1	Flanged Roller	1	
112	PS843	Circlip	2	
	<b>61850A</b>	<b>28mm Pitch Web Assembly</b>		
		<b>Consists Of</b>		
113	-	Ø10 Web Rod	360	
114	-	Ø10 Joining Rod	1	
115	-	Female Connector	2	
116	-	Male Connector	2	
117	-	Web Belt	2	
118	-	Clamp Plate	a/r	
119	-	Joiner Rivet	a/r	
120	-	Web Bar Rivet	a/r	
121	-	Flight	36	



Machines from 2024

## Stone Elevator Hydraulics (with swan neck)



**5.17a****STAR UNIPLUS SPARE PARTS**

Machines from 2024

**Stone Elevator Hydraulics (with swan neck)**

Item	Part No.	Description	Qty.	Remarks
1	10140	1/2"BSP Quick-Release Probe	2	
2				
3	10466	3/8"BSP Bulkhead Adaptor	2	
4				
5	11124	1/2"BSP Dowty Seal	6	
6	11125	3/8"BSP Dowty Seal	13	
7	11336	1/4"BSPx3/8"BSP M M Adaptor	2	
8	11337	1/4"BSP Dowty Seal	4	
9	52122	3/8"Hose Assembly (1100mm)	2	
10	12321	1/2"BSP Bulkhead Adaptor	2	
11	12315	1/2"BSP M M Adaptor	3	
12	12316	1/4"BSP M M Adaptor	4	
13				
14				
15	13189	3/8"BSP M F Swept 90° Adaptor	4	
16				
17	27449	1/4"BSP M M M Tee	2	
18	27461	M18 Dowty Seal	2	
19				
20	32474	1/4"BSP M F Compact 90° Adaptor	2	
21				
22				
23	37599	M18x3/8"BSP M M Adaptor	2	
24				
25	41401	Pipe Clamp (Ø15-Ø15)	5	
26				
27				
28				
29	58255	6-Way Diverter Valve	1	
30				
31	60141	3/8"Hose Assembly (800mm)	1	
32	60169	3/8"Hose Assembly (1450mm)	1	
33	71072	1/4"Hose Assembly (5000mm)	2	
34	71075	3/8"Hose Assembly (1600mm)	1	
35	71073	1/4"Hose Assembly (3400mm)	2	
36	60483	1/4"BSP Bulkhead Adaptor	2	
37				
38	51527	1/4"Hose Assembly (2300mm)	2	
39	60733	3/8"Hose Assembly (550mm)	1	
40				
41	60807	Ø15 Steel Pipe Assembly	2	
42	60817	1/2"Hose Assembly (650mm)	2	
43				
44				
45				
46	60821	1/4"Hose Assembly (750mm)	2	
47	60822	3/8"Hose Assembly (600mm)	1	
48	60823	3/8"Hose Assembly (1350mm)	1	
49				
50	71017	1/2"Hose Assembly (4250mm)	2	
51	71074	1/2"Hose Assembly (11000mm)	2	
52				
53				
54	62401	Pipe Clamp	6	
55	-	Pipe Clamp	3	

**STAR UNIPLUS SPARE PARTS****5.17b**

Machines from 2024

**Stone Elevator Hydraulics (with swan neck)**

<b>Item</b>	<b>Part No.</b>	<b>Description</b>	<b>Qty.</b>	<b>Remarks</b>
56	RPC654.308052	Clamp Plate	5	
57				
58				
59				
60				
61	UC31A	3/8"BSP M M Adaptor	9	
62				
63	46285/3	Valve Section	1	
64	46807	In-line Check Valve	1	
65				
66	DWS1134/1	Over-centre Valve	1	