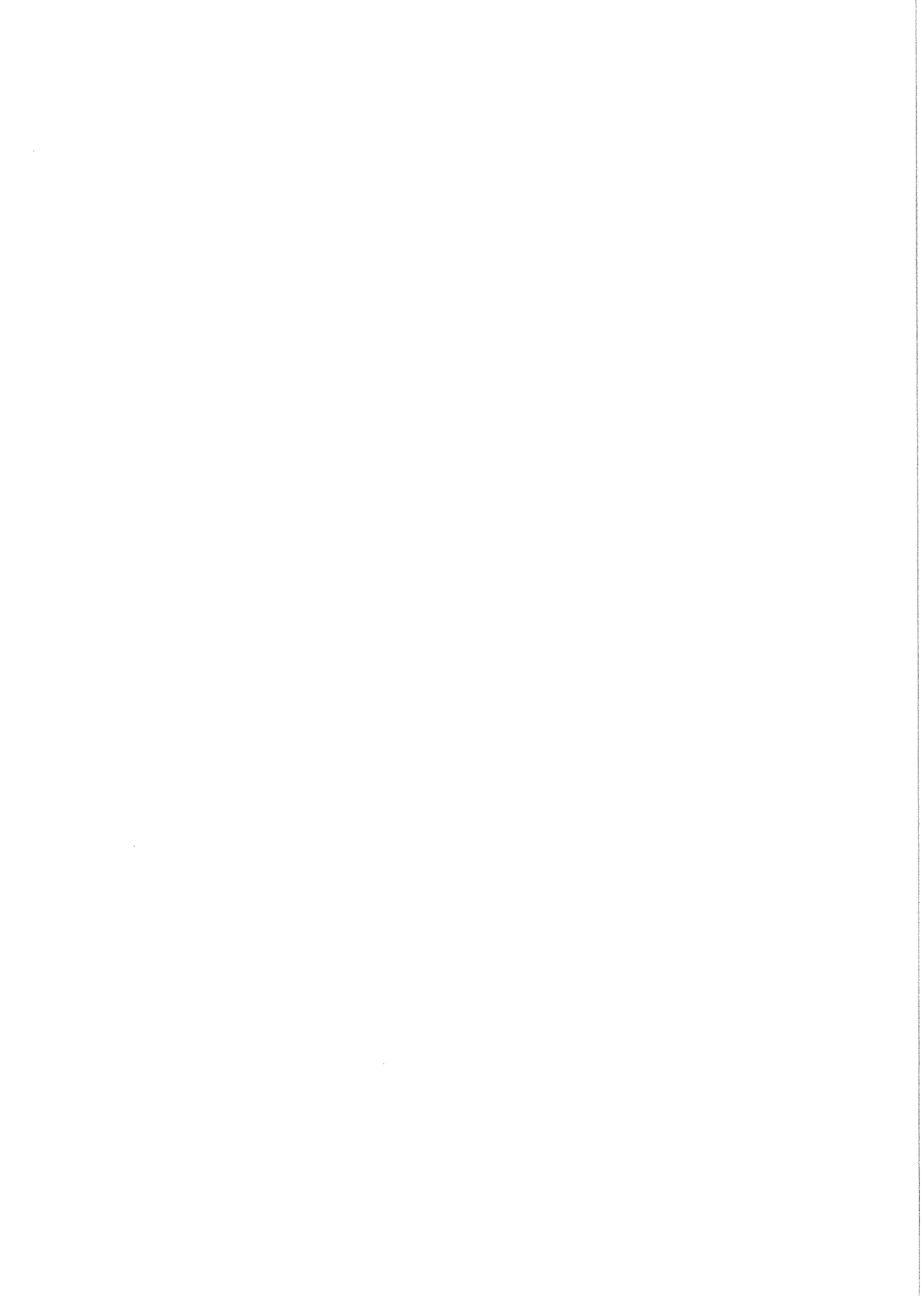


CONTENTS

STAR UNIPLUS SPARE PARTS

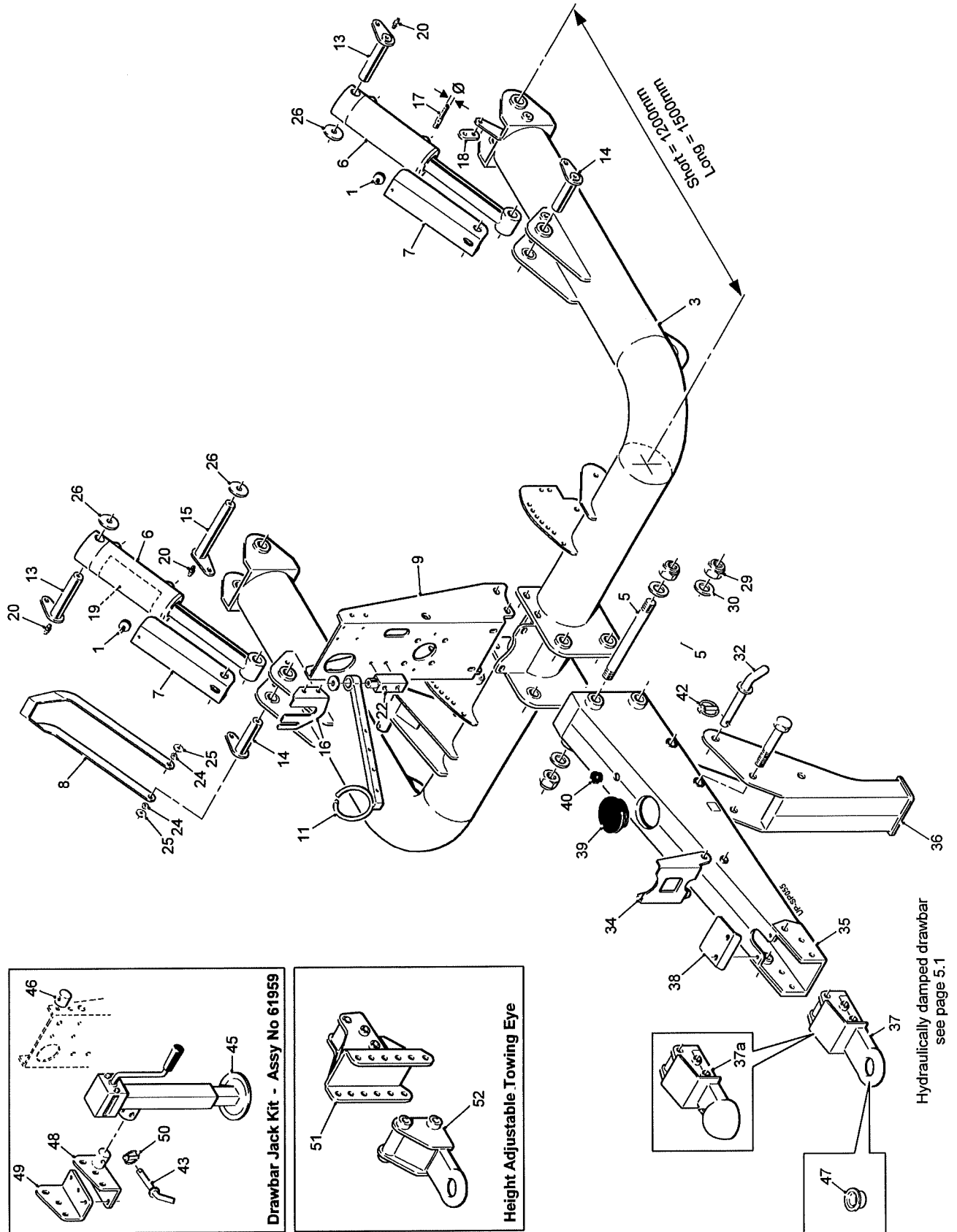
Front Chassis	3.1
Rear Chassis	3.2
Axle Assembly	3.4
Guards Assembly	3.5
Depth Roller Assembly	3.6
Disc Assemblies	3.7
Share Assemblies	3.8
Star Assemblies	3.9
Inner Side Panels (long underweb)	3.12
Inner Side Panels (short underweb)	3.13
Long Underweb Assembly	3.14
Short Underweb Assembly	3.15
Cross Conveyor Assembly	3.16
Input Drives	4.1
Belt Drives and Bearing Plates	4.2
Hydraulic Assembly	4.3
Electrical Assembly	4.4
Road Lights	4.5
Hydraulically Damped Drawbar	5.1
Rear Hydraulic Agitator	5.2
Vari-Flow Assembly	5.3
Top Mesh Cover Kit	5.4
Boulder Stars Assembly	5.6
Boulder Box Assembly	5.7
Manual Draper Web Assembly	5.8
Electric Draper Web Assembly	5.8
Rear Draper Web Assembly	5.9
Braked Axle Assembly	5.12
Central Greasing Kit	5.13
Stone Elevator (without swan neck)	5.14
Stone Elevator Hydraulics (without swan neck)	5.15
Stone Elevator (with swan neck)	5.16
Stone Elevator Hydraulics (with swan neck)	5.17
Full Depth Inner Side Panels	6.1
Soil Deflector Panels (Danish machines)	6.2

Note: When using the following pages to order replacement parts, please quote the full serial number of your machine.



Machines from 2019

Front Chassis



3.1a

STAR UNIPLUS SPARE PARTS

Machines from 2019

Front Chassis

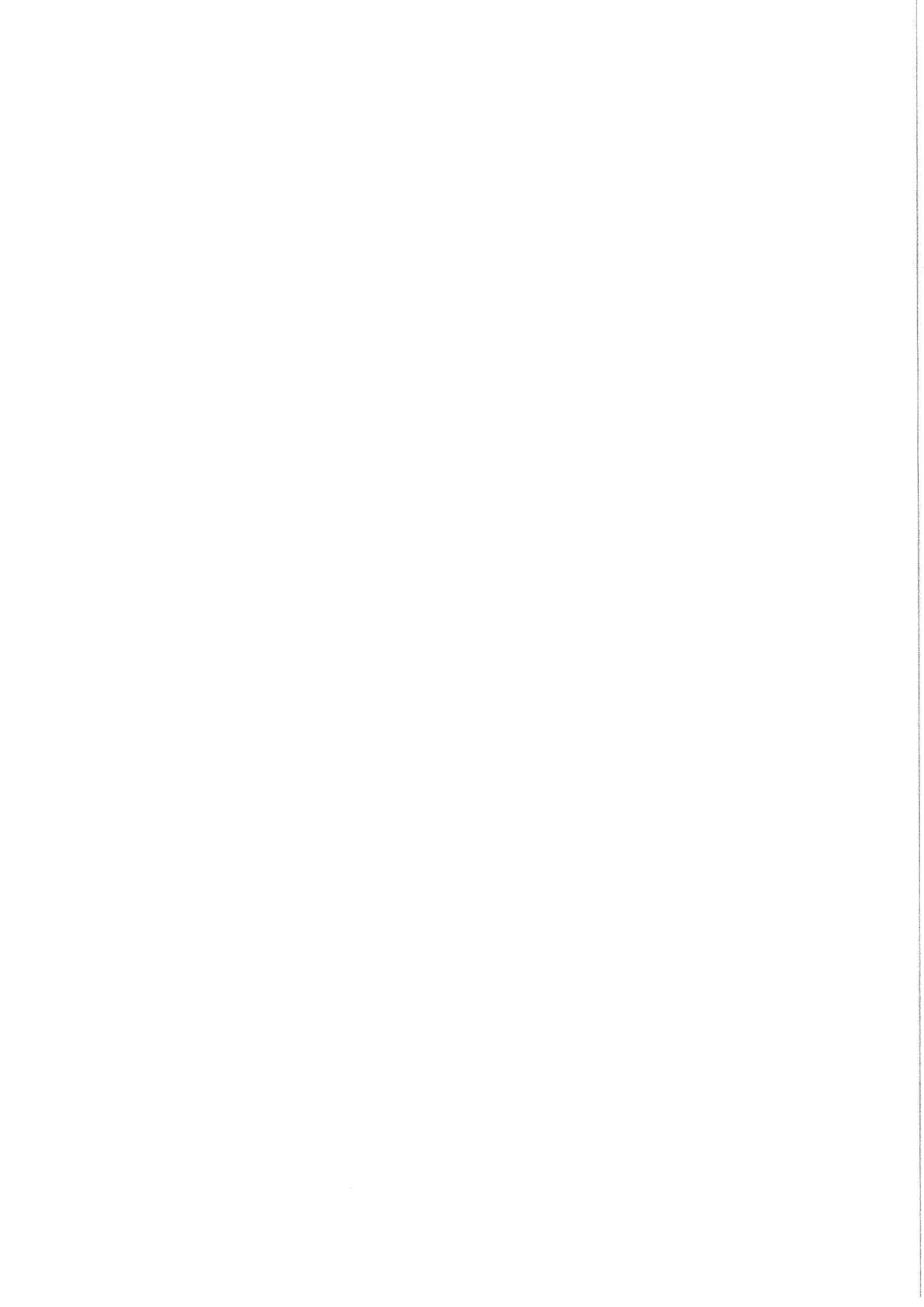
Item	Part No.	Description	Qty.	Remarks
1	43288	Ø25 Rubber Bump Stop	2	
2				
3	57019A	Short Front Chassis Beam (1700mm)	1	
	57019B	Short Front Chassis Beam (1500mm)	1	
	61753A	Long Front Chassis Beam (1700mm)	1	
	61753B	Long Front Chassis Beam (1500mm)	1	
	61753	Long Front Chassis Beam (1600mm)	1	
4				
5	57124	Drawbar Pin	2	
6	57135	Hydraulic Ram	2	
7	57186	Depth Ram Lock Plate	2	
8	57266	Depth Ram Indicator	1	
9	61732	Bearing Housing Mounting Plate	1	
10				
11	59570	Hose Support Arm	1	
12				
13	61230	Ram Pin (top)	2	
14	61231	Ram Pin (bottom)	2	
15	61233	Chassis Pivot Pin	2	
16	61514	Hose Support Plate	1	
17	41504	Ø12 Proximity Sensor (Vari-flowonly)	1	Was 36124 (Ø8)
18	68077A	Ø12 Sensor Mounting (Vari-flow only)	1	Was 68077 (Ø8)
19	RPC632.305158	Depth Indicator Decal	1	
20	RPC648.081250	M8 Grease Nipple Straight	4	
21				
22	RPS230	Pivot Block	1	
23				
24	SS016011/005	Steel Spacer	2	
25	SS025011/003	Steel Spacer	2	
26	SS040013/005	Steel Spacer	4	
27				
28				
29	22041030	M30 Nyloc Nut	4	
30	22046030	M30 Flat Washer	4	
31				
32	57183	Stand Pin	1	
33				
34	61871A	PTO Rest	1	
35	61891	Drawbar	1	
36	61893	Stand	1	
37	61894	Towing Eye	1	
37a	68031	Spoon Hitch	1	Option
38	61895	Cover Plate	1	
39	61900	Blanking Plug	1	
40	61901	Grommet	1	
41				
42	REK215	Linchpin	1	
	61959	Drawbar Jack Kit Consists Of:		
43	41060	Pin	1	
44				
45	61024	Jack	1	
46	61025	Stowage Spigot	1	

STAR UNIPLUS SPARE PARTS**3.1b**

Machines from 2019

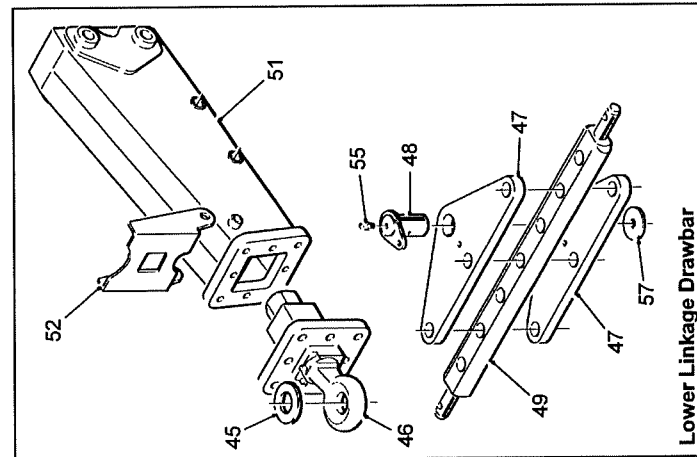
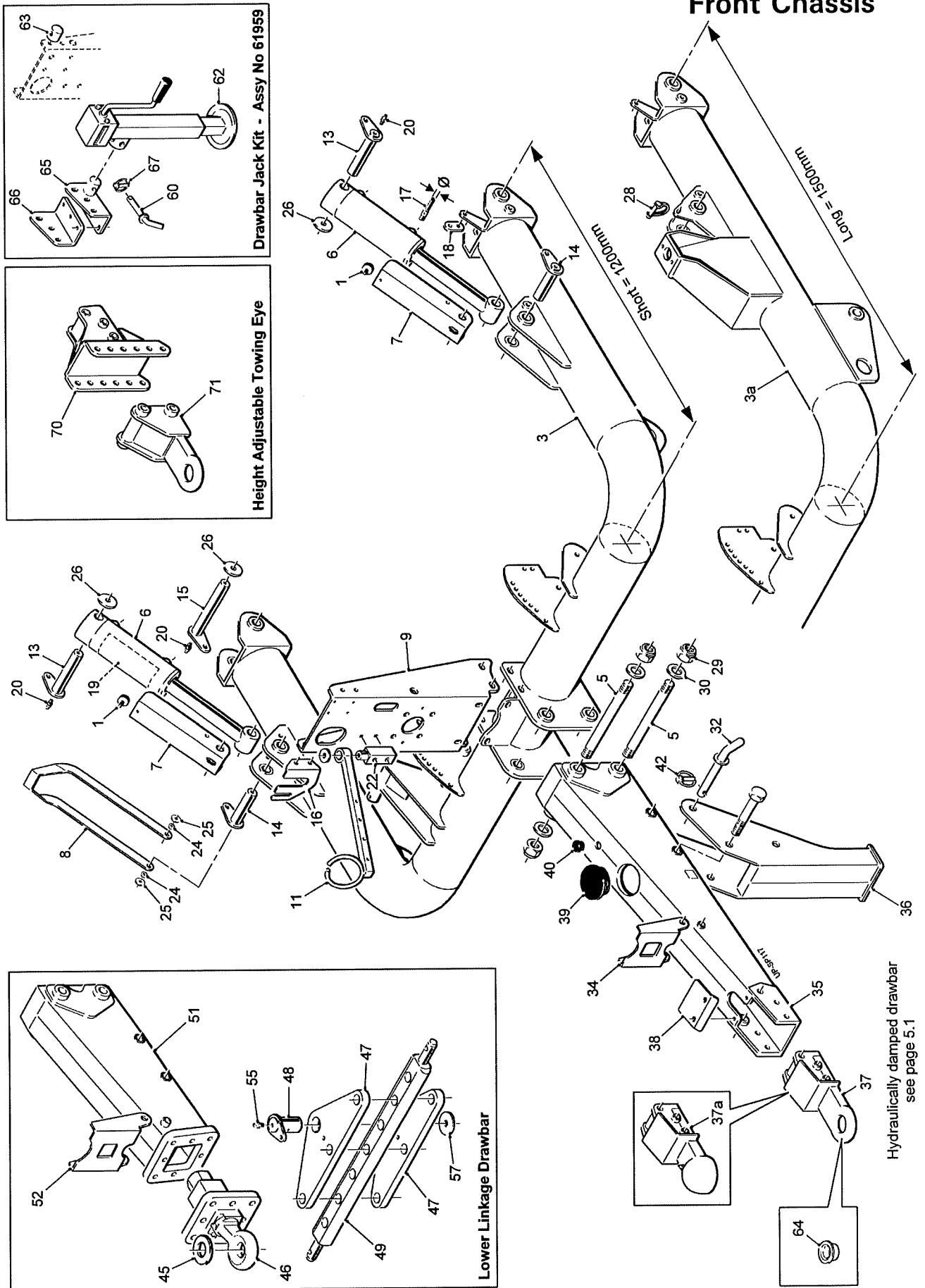
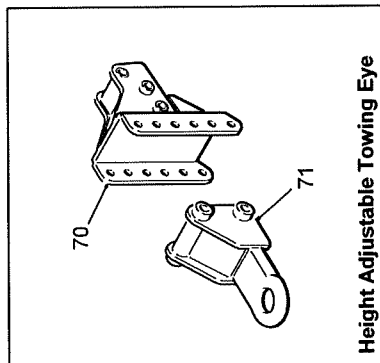
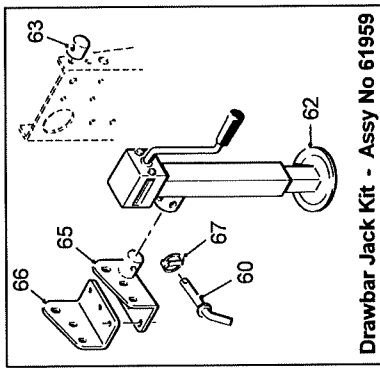
Front Chassis

Item	Part No.	Description	Qty.	Remarks
47	61957	Towing Eye Bush	1	Part was 61958
48	68157	Mounting Bracket	1	
49	68158	Mounting Plate	1	
50	REK215	Linchpin	1	
		Height Adjustable Towing Eye Consists Of:		
51	68072	Towing Eye Mounting	1	
52	RPA610.300014	Towing Eye	1	



Machines from 2021

Front Chassis



Hydraulically damped drawbar
see page 5.1

3.1a**STAR UNIPLUS SPARE PARTS**

Machines from 2021

Front Chassis

Item	Part No.	Description	Qty.	Remarks
1	43288	Ø25 Rubber Bump Stop	2	
2				
3	57019A	Short Front Chassis Beam (1700mm)	1	
	57019B	Short Front Chassis Beam (1500mm)	1	
3a	68170A	Long Front Chassis Beam (1700mm)	1	
	68170B	Long Front Chassis Beam (1500mm)	1	
	68170	Long Front Chassis Beam (1600mm)	1	
4				
5	57124	Drawbar Pin	2	
6	57135	Hydraulic Ram	2	
7	57186	Depth Ram Lock Plate	2	
8	57266	Depth Ram Indicator	1	
9	61732	Bearing Housing Mounting Plate	1	Short Front Chassis
	68197	Bearing Housing Mounting Plate	1	Long Front Chassis
10				
11	59570	Hose Support Arm	1	
12				
13	61230	Ram Pin (top)	2	
14	61231	Ram Pin (bottom)	2	
15	61233	Chassis Pivot Pin	2	
16	61514	Hose Support Plate	1	
17	41504	Ø12 Proximity Sensor	1	Vari-flow only
18	68077A	Ø12 Sensor Mounting	1	Vari-flow only
19	RPC632.305158	Depth Indicator Decal	1	
20	RPC648.081250	M8 Grease Nipple Straight	4	
21				
22	RPS230	Pivot Block	1	
23				
24	SS016011/005	Steel Spacer	2	
25	SS025011/003	Steel Spacer	2	
26	SS040013/005	Steel Spacer	4	
27				
28	10282	Quick Release Pin	2	Long front chassis only
29	22041030	M30 Nyloc Nut	4	
30	22046030	M30 Flat Washer	4	
31				
32	57183	Stand Pin	1	
33				
34	61871A	PTO Rest	1	
35	61891	Drawbar	1	
36	61893	Stand	1	
37	61894	Towing Eye	1	
37a	68031	Spoon Hitch	1	Option
38	61895	Cover Plate	1	
39	61900	Blanking Plug	1	
40	61901	Grommet	1	
41				
42	REK215	Linchpin	1	
43				
44				
45	56121	Thrust Washer	1	
46	58292	Swivel Hitch	1	
47	58293	Lower Link Plate	2	
48	58294	Pivot Pin	1	

STAR UNIPLUS SPARE PARTS**3.1b**

Machines from 2021

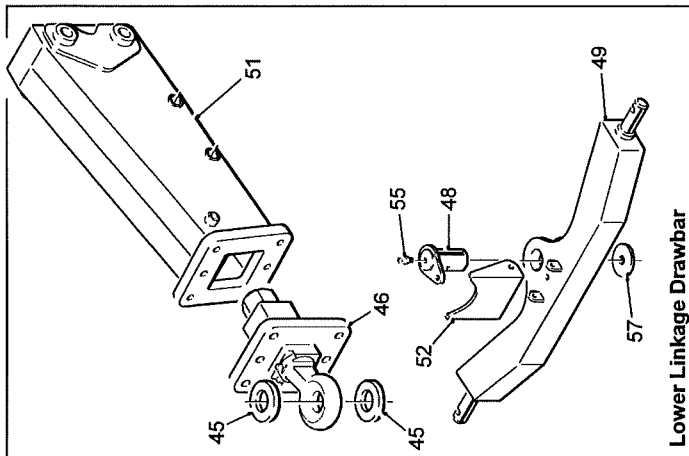
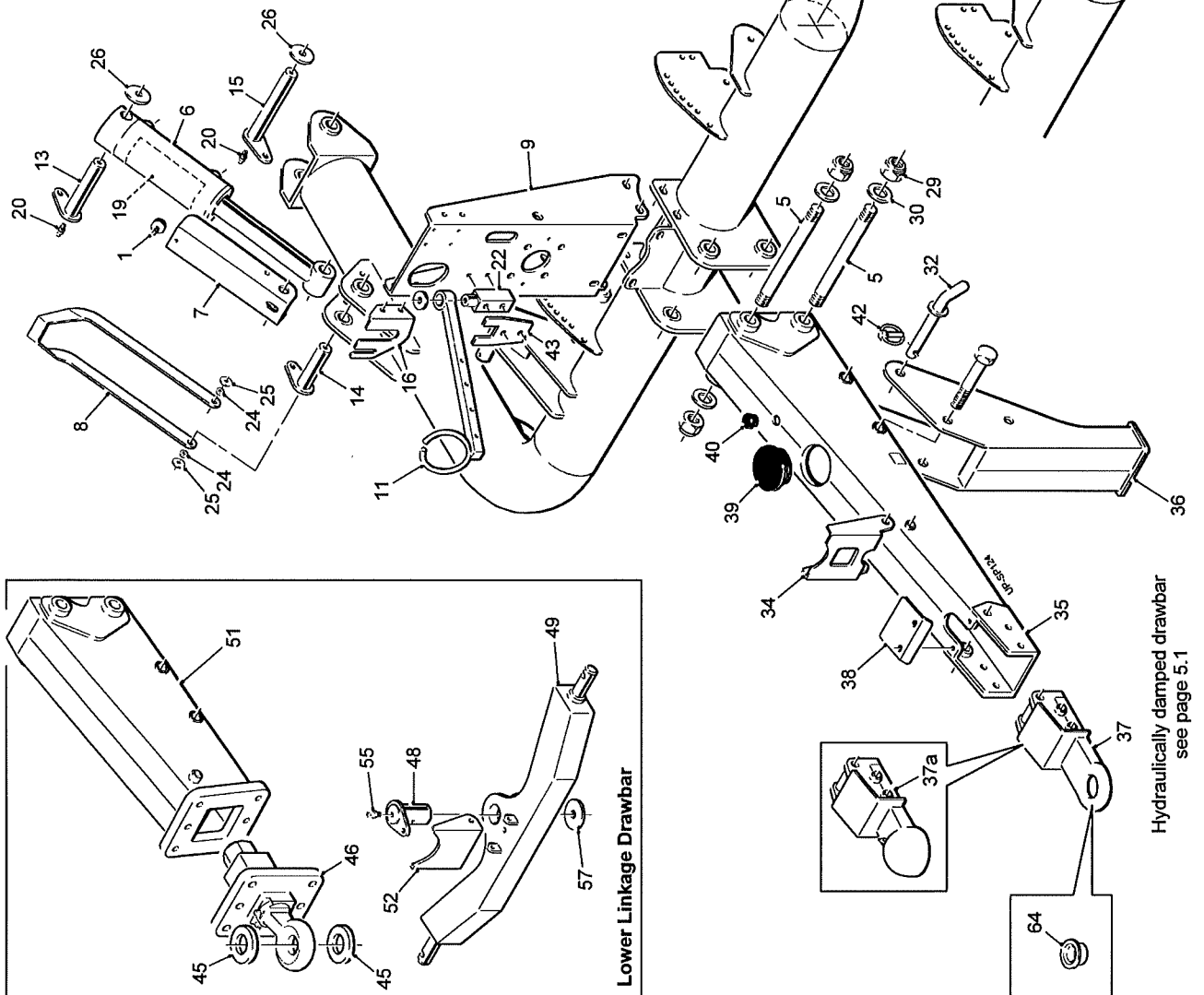
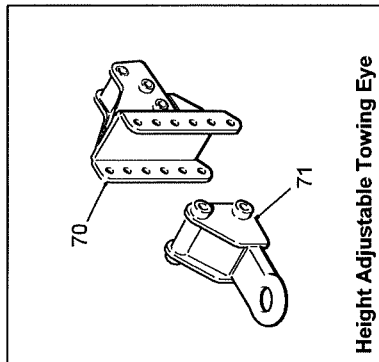
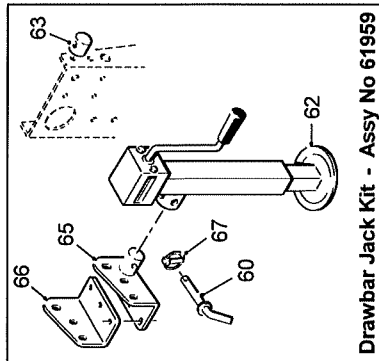
Front Chassis

Item	Part No.	Description	Qty.	Remarks
49	58295	CAT2 Lower Link Drawbar	1	
	RFRE0517	CAT3 Lower Link Drawbar	1	
50				
51	68180	Drawbar	1	
52	68181	PTO Rest	1	
53				
54				
55	RPC648.081250	M8 Grease Nipple Straight	1	
56				
57	SS070017/005	Steel Spacer	1	
	61959	Drawbar Jack Kit Consists Of:		
60	41060	Pin	1	
61				
62	61024	Jack	1	
63	61025	Stowage Spigot	1	
64	61957	Towing Eye Bush	1	
65	68157	Mounting Bracket	1	
66	68158	Mounting Plate	1	
67	REK215	Linchpin	1	
		Height Adjustable Towing Eye Consists Of:		
70	68072A	Towing Eye Mounting (6 holes)	1	
71	RPA610.300014	Towing Eye	1	



Machines from Serial No. UNP-304

Front Chassis



3.1a**STAR UNIPLUS SPARE PARTS**

Machines from Serial No. UNP-304

Front Chassis

Item	Part No.	Description	Qty.	Remarks
1	43288	Ø25 Rubber Bump Stop	2	
2				
3	57019A	Short Front Chassis Beam (1700mm)	1	
	57019B	Short Front Chassis Beam (1500mm)	1	
3a	68170A	Long Front Chassis Beam (1700mm)	1	
	68170B	Long Front Chassis Beam (1500mm)	1	
	68170	Long Front Chassis Beam (1600mm)	1	
4				
5	57124	Drawbar Pin	2	
6	57135	Hydraulic Ram	2	
7	57186	Depth Ram Lock Plate	2	
8	57266	Depth Ram Indicator	1	
9	61732	Bearing Housing Mounting Plate	1	Short Front Chassis
	68197	Bearing Housing Mounting Plate	1	Long Front Chassis
10				
11	59570	Hose Support Arm	1	
12				
13	61230	Ram Pin (top)	2	
14	61231	Ram Pin (bottom)	2	
15	61233	Chassis Pivot Pin	2	
16	61514	Hose Support Plate	1	
17	41504	Ø12 Proximity Sensor	1	Vari-flow only
18	68077A	Ø12 Sensor Mounting	1	Vari-flow only
19	RPC632.305158	Depth Indicator Decal	1	
20	RPC648.081250	M8 Grease Nipple Straight	4	
21				
22	RPS230	Pivot Block	1	
23				
24	SS016011/005	Steel Spacer	2	
25	SS025011/003	Steel Spacer	2	
26	SS040013/005	Steel Spacer	4	
27				
28	10282	Quick Release Pin	2	Long front chassis only
29	22041030	M30 Nyloc Nut	4	
30	22046030	M30 Flat Washer	4	
31				
32	57183	Stand Pin	1	
33				
34	61871A	PTO Rest	1	
35	61891	Drawbar	1	
36	61893	Stand	1	
37	61894	Towing Eye	1	
37a	68031	Spoon Hitch	1	Option
38	61895	Cover Plate	1	
39	61900	Blanking Plug	1	
40	61901	Grommet	1	
41				
42	REK215	Linchpin	1	
43	RPS232	Stop Plate	1	
44				
45	68204	Thrust Washer	2	
46	68206	Swivel Hitch	1	
47				
48	58294	Pivot Pin	1	

STAR UNIPLUS SPARE PARTS**3.1b**

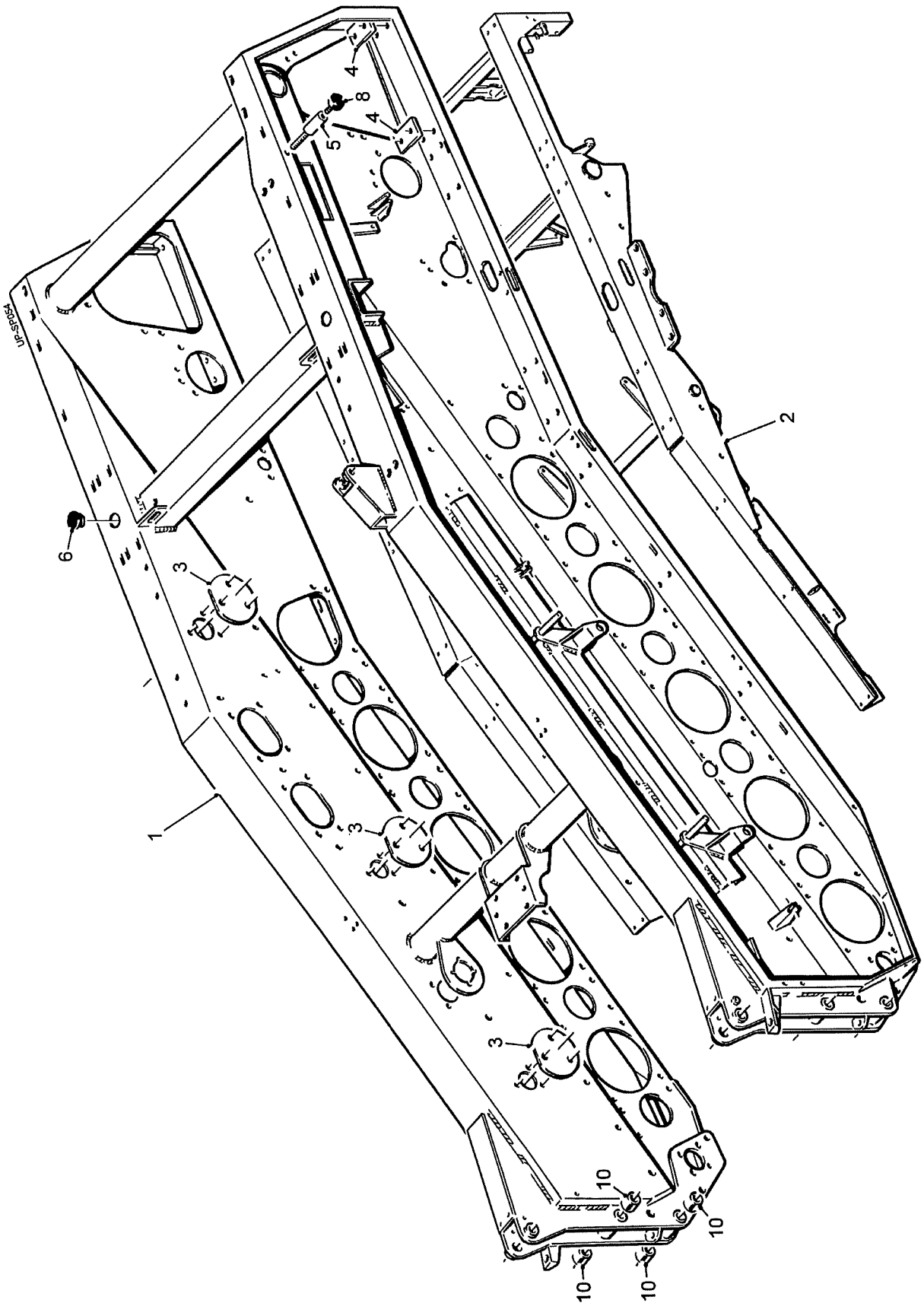
Machines from Serial No. UNP-304

Front Chassis

Item	Part No.	Description	Qty.	Remarks
49	68203	CAT3 Lower Link Drawbar	1	
50				
51	68180	Drawbar	1	
52	58278A	PTO Rest	1	
53				
54				
55	RPC648.081250	M8 Grease Nipple Straight	1	
56				
57	SS070017/005	Steel Spacer	1	
	61959	Drawbar Jack Kit Consists Of:		
60	41060	Pin	1	
61				
62	61024	Jack	1	
63	61025	Stowage Spigot	1	
64	61957	Towing Eye Bush	1	
65	68157	Mounting Bracket	1	
66	68158	Mounting Plate	1	
67	REK215	Linchpin	1	
		Height Adjustable Towing Eye Consists Of:		
70	68072A	Towing Eye Mounting (6 holes)	1	
71	RPA610.300014	Towing Eye	1	

Machines from 2019

Rear Chassis



3.2a**STAR UNIPLUS SPARE PARTS**

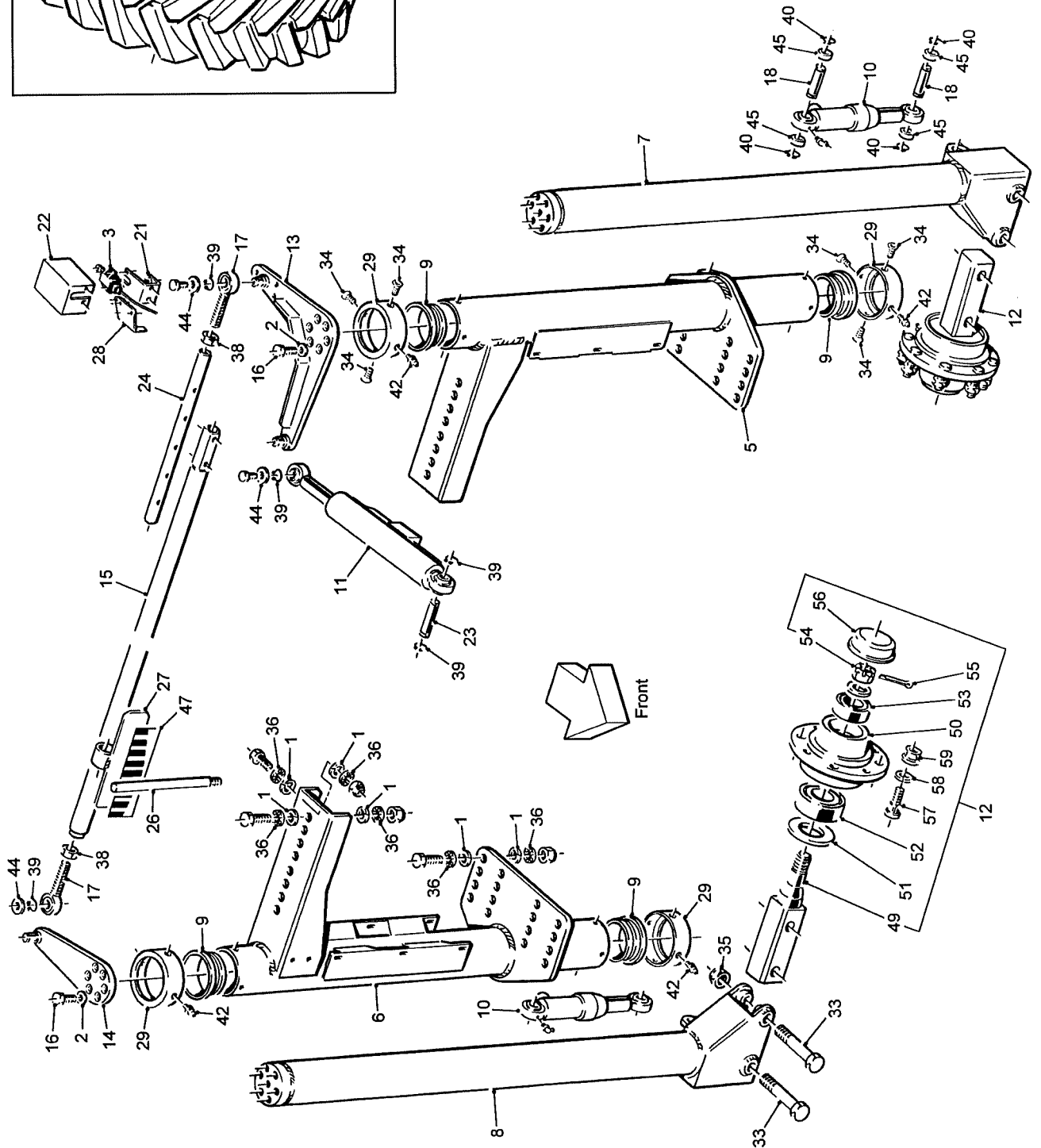
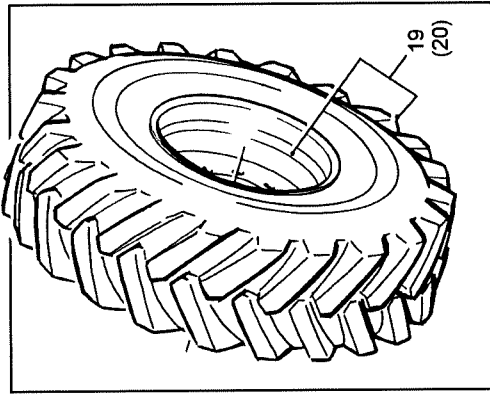
Machines from 2019

Rear Chassis

Item	Part No.	Description	Qty.	Remarks
1	57020A	Rear Chassis (1700mm)	1	
	57020B	Rear Chassis (1500mm)	1	
	57020	Rear Chassis (1600mm)	1	
2	57166A	Bottom Frame (1700mm)	1	
	57166B	Bottom Frame (1500mm)	1	
	57166	Bottom Frame (1600mm)	1	
3	57285	Blanking Plate	6	
4	57764	Clamp Plate	2	
5	68037	Bump Stop Mounting	1	
6	68215	Plastic Insert	2	
7				
8	DW901922	Ø50 Rubber Bump Stop	1	
9				
10	RPB250.303440	Bush	8	

Machines from 2019

Axle Assembly Assy No 57093A



3.4a

STAR UNIPLUS SPARE PARTS

Machines from 2019

Axle Assembly

Assy No 57093A

Item	Part No.	Description	Qty.	Remarks
1	42059A/8	M20 Spherical Spring Washer	32	
2	23255	M18 Spherical Spring Washer	12	
3	56320	Steering Sensor	1	
4				
5	61262	LH Outer Pillar	1	
6	61263	RH Outer Pillar	1	
7	61264	LH Inner Pillar	1	
8	61265	RH Inner Pillar	1	
9	57025	Axle Bush	4	
10	57028	Hydraulic Ram	2	
11	61285	Hydraulic Ram	1	
12	57030	Stub Axle Complete	2	(see list at end)
13	57031	LH Steering Arm	1	
14	57032	RH Steering Arm	1	
15	57694	Track Rod	1	
16	22123018/050	M18x50 Setscrew(grade 10.9)	12	
17	57035	Male Rod End	2	
18	57069	Ram Pin	4	
19	57450	LH 14.5x20 Trackgrip Tyre c/w Rim	1	
			1	
20	57451	RH 14.5x20 Trackgrip Tyre c/w Rim	1	
			1	
21	57152	Sensor Plate	1	
22	57154	Sensor Cover	1	
23	57161	Ram Pin	1	
24	57695	Track Rod End (1500mm)	1	
	57695A	Track Rod End (1700mm)	1	
25				
26	57267	Steering Indicator Pin	1	
27	57699	Steering Indicator Plate	1	
28	57763	Sensor Arm Lug	1	
29	61267	Bush Retainer	4	
30				
31				
32				
33	22012030/200	M30x200 Bolt	4	
34	22016008/016	M8x16 CSK Socket Head Screw	12	
35	22041030	M30 Nyloc Nut	4	
36	22121020	M20 Nordlock Washer	32	
37				
38	RPF174.524000	M24 Half Nut	2	
39	RPF200.025200	Ø25 External Circlip	5	
40	RPF200.030200	Ø30 External Circlip	8	
41	RPC648.061002	M6 Grease Nipple 90°	2	
42	RPC648.081250	M8 Grease Nipple Straight	4	
43				
44	SS030011/005	Steel Spacer	3	
45	SS040031/008	Steel Spacer	8	
46				
47	TR468	Steering Indicator Decal	1	
48				

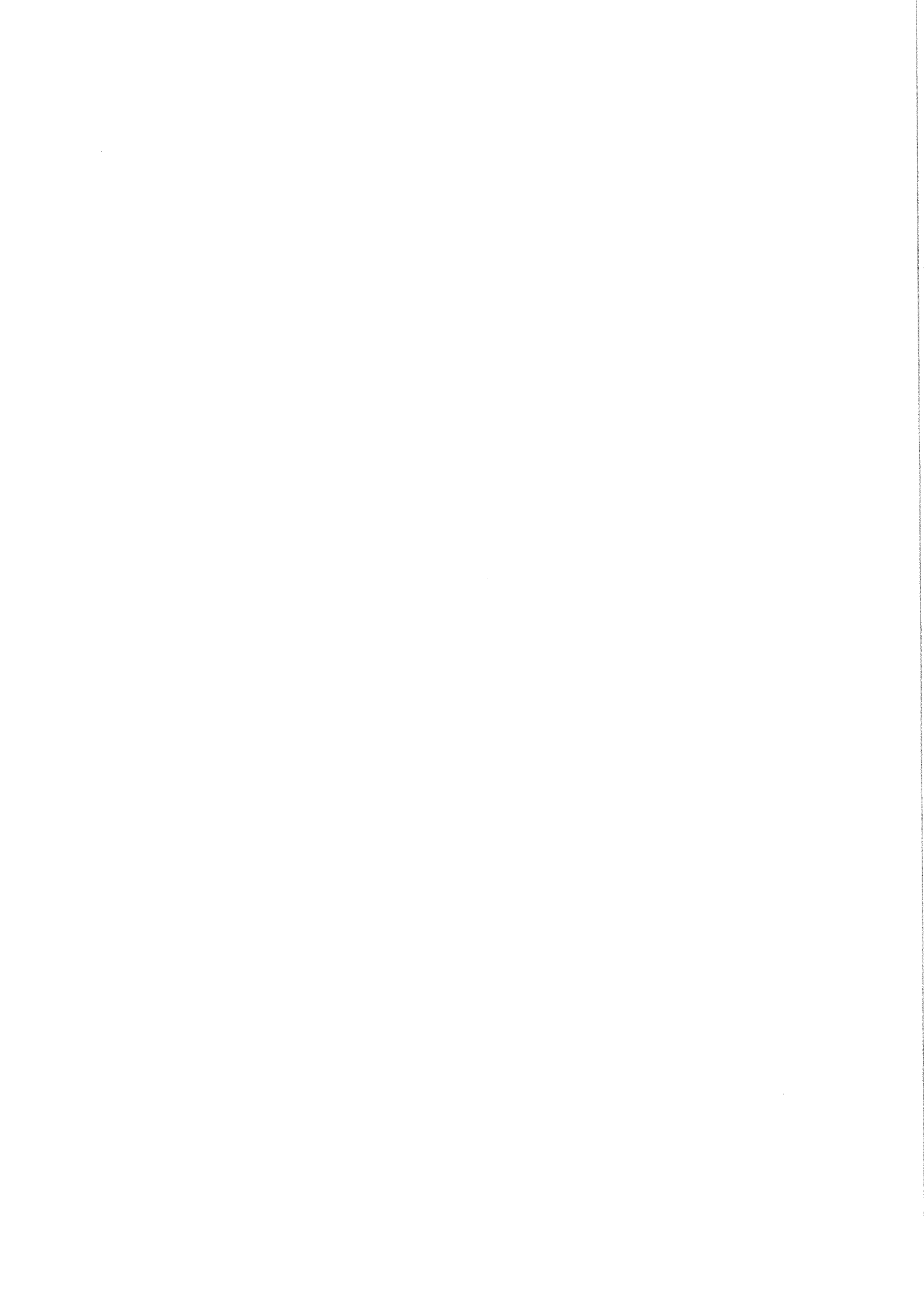
STAR UNIPLUS SPARE PARTS**3.4b**

Machines from 2019

Axle Assembly

Assy No 57093A

Item	Part No.	Description	Qty.	Remarks
	57030	Stub Axle Complete Consists Of:		
49	-	Stub Axle	1	
50	52028/1X/1	Hub	1	
51	52028/1X/2	Retaining Ring	1	
52	52028/1X/3	Bearing (inner)	1	
53	52028/1X/4	Bearing (outer)	1	
54	52028/1X/5	Castellated Nut	1	
55	52028/1X/6	Split Pin	1	
56	52028/1X/7	End Cap	1	
57	42059A/7	Wheel Stud	8	
58	42059A/8	Spring Washer	8	
59	42059A/9	Wheel Nut	8	



3.4a

STAR UNIPLUS SPARE PARTS

Machines from 2020

Axle Assembly

Assy No 57093A

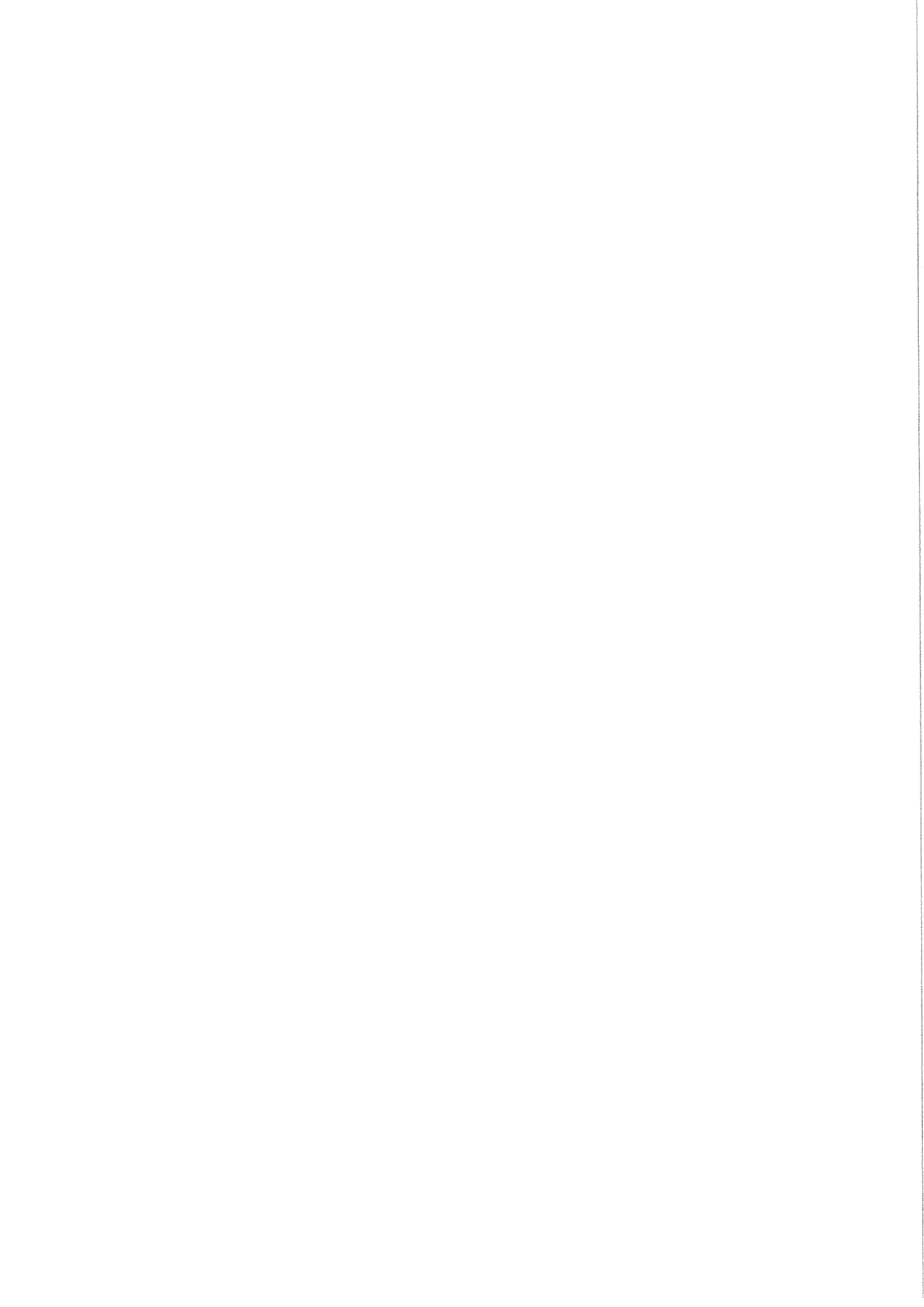
Item	Part No.	Description	Qty.	Remarks
1	42059A/8	M20 Spherical Spring Washer	16	
2	23255	M18 Spherical Spring Washer	12	
3	56320	Steering Sensor	1	
4				
5	61263	Outer Pillar (shown)	1	Front mounted levelling rams
	61262	Outer Pillar	1	Rear mounted levelling rams
6	61262	Outer Pillar (shown)	1	Front mounted levelling rams
	61263	Outer Pillar	1	Rear mounted levelling rams
7	61265	Inner Pillar (shown)	1	Front mounted levelling rams
	61264	Inner Pillar	1	Rear mounted levelling rams
8	61264	Inner Pillar (shown)	1	Front mounted levelling rams
	61265	Inner Pillar	1	Rear mounted levelling rams
9	57025	Axle Bush	4	
10	57028	Hydraulic Ram	2	
11	61285	Hydraulic Ram	1	
12	57030	Stub Axle Complete	2	(see list at end)
13	57031	LH Steering Arm	1	
14	57032	RH Steering Arm	1	
15	57694	Track Rod	1	
			1	
16	22123018/050	M18x50 Setscrew(grade 10.9)	12	
17	57035	Male Rod End	2	
18	57069	Ram Pin	4	
19	57450	LH 14.5x20 Trackgrip Tyre c/w Rim	1	
			1	
20	57451	RH 14.5x20 Trackgrip Tyre c/w Rim	1	
			1	
21	57152	Sensor Plate	1	
22	57154	Sensor Cover	1	
23	57161	Ram Pin	1	
24	57695	Track Rod End (1500mm & 1600mm)	1	
	57695A	Track Rod End (1700mm)	1	
25				
26	57267	Steering Indicator Pin	1	
27	57699	Steering Indicator Plate	1	
28	57763	Sensor Arm Lug	1	
29	61267	Bush Retainer	4	
30	68240	Stone Deflector	2	
31	68076	Clamp Plate	4	
32	22132020/040	M20 x40 Flanged Head Set Screw	8	
33	22012030/200	M30x200 Bolt	4	
34	22016008/016	M8x16 CSK Socket Head Screw	12	
35	22041030	M30 Nyloc Nut	4	
36	22121020	M20 Nordlock Washer	24	
37				
38	RPF174.524000	M24 Half Nut	2	
39	RPF200.025200	Ø25 External Circlip	5	
40	RPF200.030200	Ø30 External Circlip	8	

STAR UNIPLUS SPARE PARTS**3.4b**

Machines from 2020

Axle Assembly**Assy No 57093A**

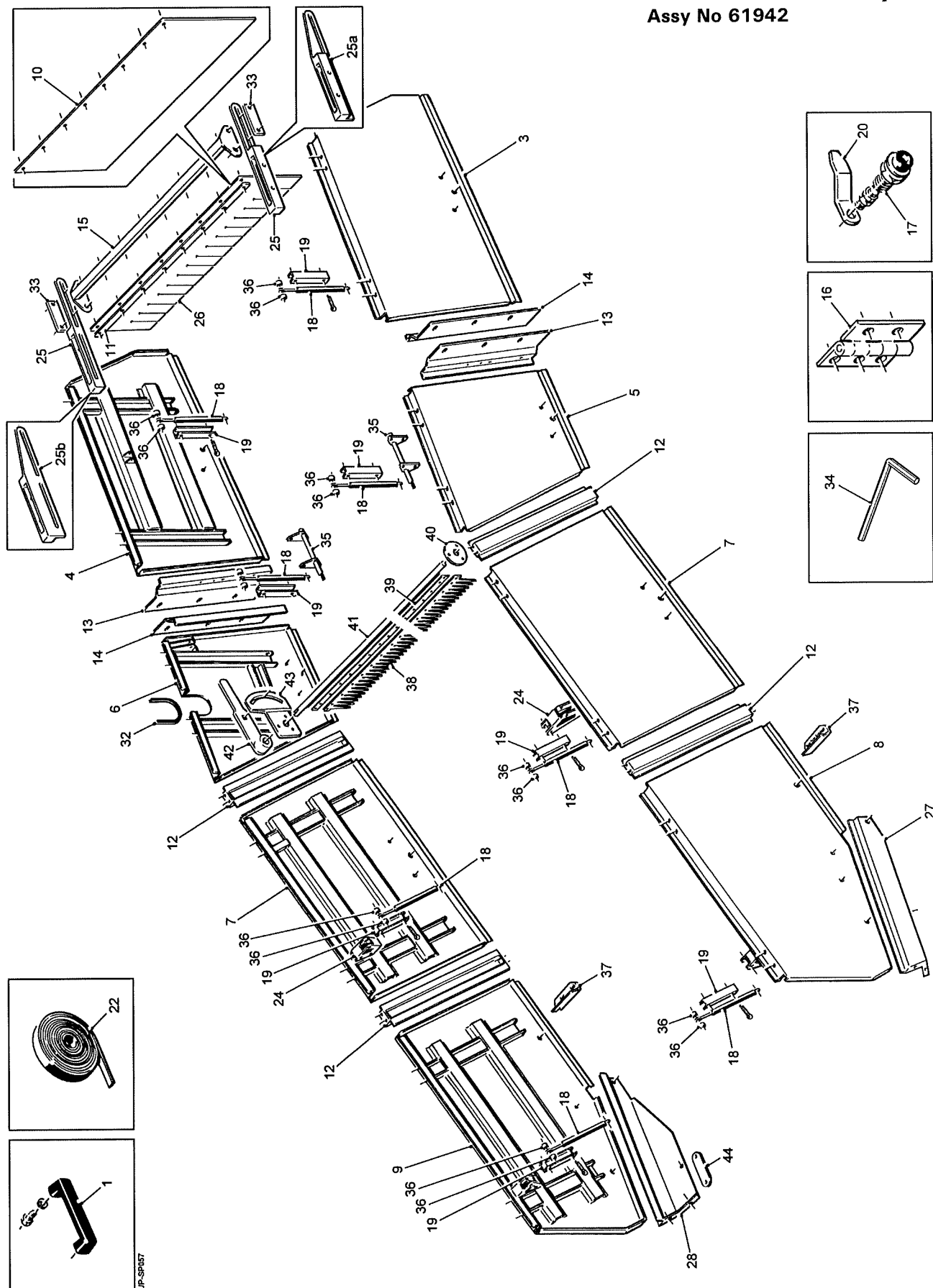
Item	Part No.	Description	Qty.	Remarks
41	RPC648.061002	M6 Grease Nipple 90°	2	
42	RPC648.081250	M8 Grease Nipple Straight	4	
43				
44	SS030011/005	Steel Spacer	3	
45	SS040031/008	Steel Spacer	8	
46				
47	TR468	Steering Indicator Decal	1	
48				
	57030	Stub Axle Complete Consists Of:		
49	-	Stub Axle	1	
50	52028/1X/1	Hub	1	
51	52028/1X/2	Retaining Ring	1	
52	52028/1X/3	Bearing (inner)	1	
53	52028/1X/4	Bearing (outer)	1	
54	52028/1X/5	Castellated Nut	1	
55	52028/1X/6	Split Pin	1	
56	52028/1X/7	End Cap	1	
57	42059A/7	Wheel Stud	8	
58	42059A/8	Spring Washer	8	
59	42059A/9	Wheel Nut	8	



Machines from 2019

Guards Assembly

Assy No 61942



3.5a**STAR UNIPLUS SPARE PARTS**

Machines from 2019

Guards Assembly

Assy No 61942

Item	Part No.	Description	Qty.	Remarks
1	50047	Guard Handle	8	
2				
3	57071	Guard 4 LH	1	Used with standard rear agitator
	57377	Guard 4 LH	1	Used with hydraulic rear agitator
4	57072	Guard 4 RH	1	
5	57073	Guard 3 LH	1	
6	57074	Guard 3 RH	1	Used without Vari-flow
	57287	Guard 3 RH	1	Used with Vari-flow
7	57075	Guard 2	2	
8	57077	Guard 1 LH	1	
9	57078	Guard 1 RH	1	
10	61500	Rubber Curtain (1500mm)	1	Used without boulder box
	61500A	Rubber Curtain (1700mm)	1	Used without boulder box
11	61446	Clamp Strip (1500mm)	1	
	61446A	Clamp Strip (1700mm)	1	
12	57106	Door Post	4	
13	61968A	Infill Panel (76" 1500mm) (84" 1700mm)	2	
	61968B	Infill Panel (72" 1500mm) (80" 1700mm)	2	
	61968C	Infill Panel (68" 1500mm) (76" 1700mm)	2	
	61968D	Infill Panel (64" 1500mm) (72" 1700mm)	2	
14	61969A	Infill Panel (76" 1500mm) (84" 1700mm)	2	
	61969B	Infill Panel (72" 1500mm) (80" 1700mm)	2	
	61969C	Infill Panel (68" 1500mm) (76" 1700mm)	2	
	61969D	Infill Panel (64" 1500mm) (72" 1700mm)	2	
15	61445A	Curtain Mounting (1700mm)	1	With boulder box
	61445B	Curtain Mounting (1500mm)	1	With boulder box
	68047/1700	Curtain Mounting (1700mm)	1	Without boulder box
	68047/1500	Curtain Mounting (1500mm)	1	Without boulder box
16	57195	Hinge	16	
17	57199	Guard Lock	10	
18	57200	Gas Strut	8	
19	57201	Strut Stay	8	
20	57219	Lock Arm	10	
21				
22	57221	Black Foam Tape	25m	
23				
24	57991	Gas Strut Bracket	2	
25	57288A	Boulder Box Curtain Mounting	2	Boulder box only
25a	68024	Boulder Box Curtain Mounting LH	1	Boulder box & stone elevator
25b	68025	Boulder Box Curtain Mounting RH	1	Boulder box & stone elevator
26	61444	Rubber Curtain (1500mm)	1	Used with boulder box
	61444A	Rubber Curtain (1700mm)	1	Used with boulder box
27	57316	Closing Plate LH	1	
28	57317	Closing Plate RH	1	
29				
30				

STAR UNIPLUS SPARE PARTS**3.5b**

Machines from 2019

Guards Assembly

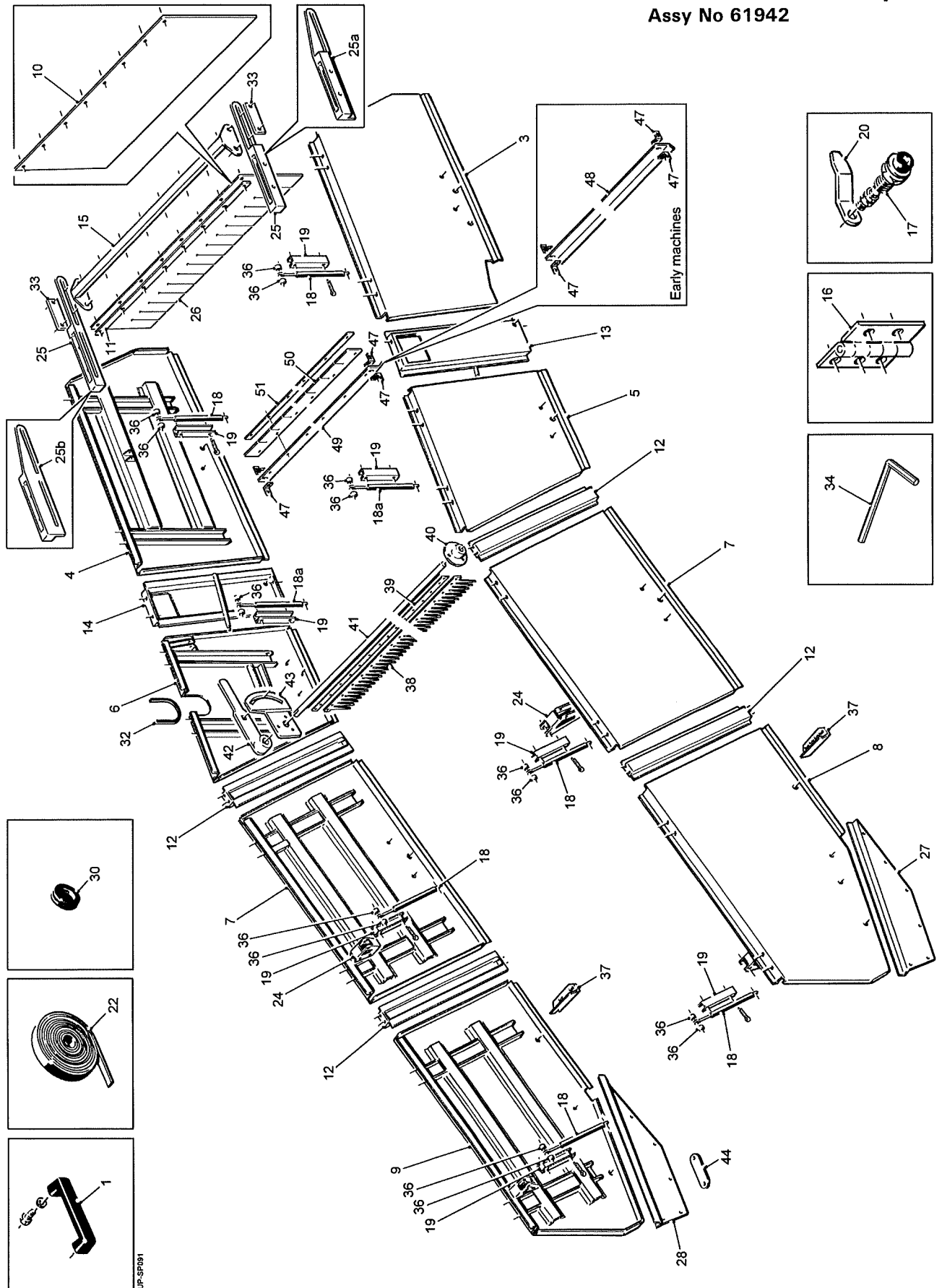
Assy No 61942

Item	Part No.	Description	Qty.	Remarks
31				
32	43227	Edging Trim	0.3m	Used with Vari-flow
33	61101	Retaining Plate	2	
34	-	8mm Allen Key	1	
35	61970	Gas Strut Support	2	
36	SS012010/010	Steel Spacer	16	
37	61228	Dirt Deflector	2	
38	57374A	Curtain Flap (1500mm)	1	
	57374C	Curtain Flap (1700mm)	1	
39	57644A	Clamp Strip (1500mm)	1	
	57644C	Clamp Strip (1700mm)	1	
40	57645	End Plate	1	
41	61789D	Mounting Bar (1500mm)	1	
	61789C	Mounting Bar (1700mm)	1	
42	61790	Adjuster Handle	1	
43	61853	Adjuster Plate	1	
44	61996	Cover Plate	1	

Machines from 2020

Guards Assembly

Assy No 61942



3.5a**STAR UNIPLUS SPARE PARTS**

Machines from 2020

Guards Assembly**Assy No 61942**

Item	Part No.	Description	Qty.	Remarks
1	50047	Guard Handle	8	
2				
3	57071	Guard 4 LH	1	Used with standard rear agitator
	57377	Guard 4 LH (with cut-out)	1	Used with hydraulic rear agitator
4	57072	Guard 4 RH	1	
5	57073	Guard 3 LH	1	
6	57074	Guard 3 RH	1	Used without Vari-flow
	57287	Guard 3 RH (with cut-out)	1	Used with Vari-flow
7	57075	Guard 2	2	
8	57077	Guard 1 LH	1	
9	57078	Guard 1 RH	1	
10	61500	Rubber Curtain (1500mm)	1	Used without boulder box
	61500A	Rubber Curtain (1700mm)	1	Used without boulder box
11	61446	Clamp Strip (1500mm)	1	
	61446A	Clamp Strip (1700mm)	1	
	57080	Clamp Strip (1600mm)	1	
12	57106A	Door Post	4	
13	57697	Infill Panel LH	1	
14	57698	Infill Panel RH	1	
15	61445A	Curtain Mounting (1700mm)	1	With boulder box
	61445B	Curtain Mounting (1500mm)	1	With boulder box
	57187	Curtain Mounting (1600mm)	1	With boulder box
	68047/1700	Curtain Mounting (1700mm)	1	Without boulder box
	68047/1500	Curtain Mounting (1500mm)	1	Without boulder box
16	57195	Hinge	16	
17	57199	Guard Lock	10	
18	57200	Gas Strut	6	Qty was x8
18a	58111	Gas Strut	2	
19	57201	Strut Stay	8	
20	57219	Lock Arm	10	
21				
22	57221	Black Foam Tape	25m	
23				
24	57991	Gas Strut Bracket	2	
25	57288A	Boulder Box Curtain Mounting	2	Boulder box only
25a	68024	Boulder Box Curtain Mounting LH	1	Boulder box & stone elevator
25b	68025	Boulder Box Curtain Mounting RH	1	Boulder box & stone elevator
26	61444	Rubber Curtain (1500mm)	1	Used with boulder box
	61444A	Rubber Curtain (1700mm)	1	Used with boulder box
	57299	Rubber Curtain (1600mm)	1	Used with boulder box
27	68083	Closing Plate LH	1	
28	68084	Closing Plate RH	1	
29				
30	62791	Ø20 Grommet	1	For LH rear guard door
31				
32	43227	Edging Trim	0.3m	Used with Vari-flow
33	61101	Retaining Plate	2	
34	-	8mm Allen Key	1	

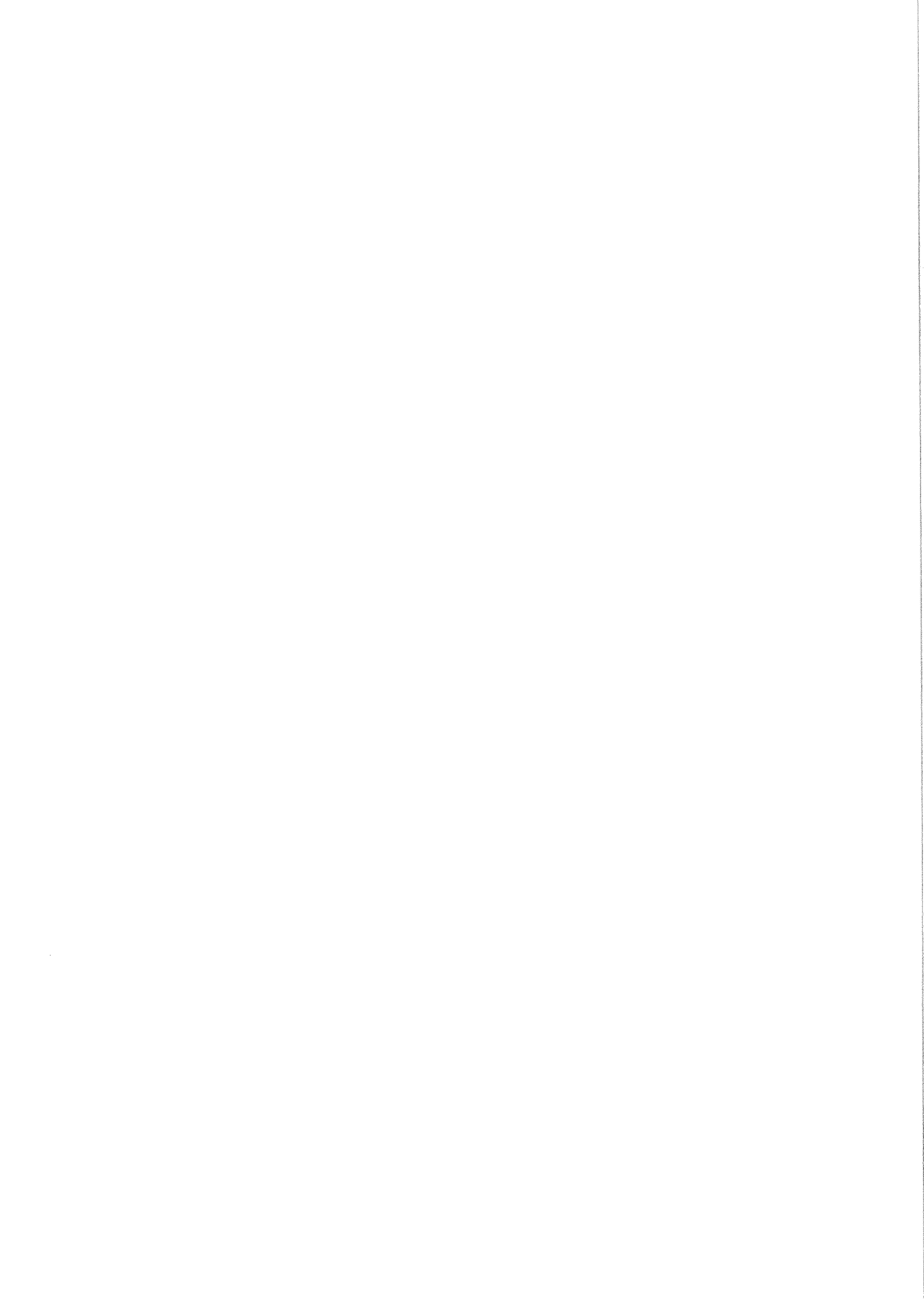
STAR UNIPLUS SPARE PARTS**3.5b**

Machines from 2020

Guards Assembly

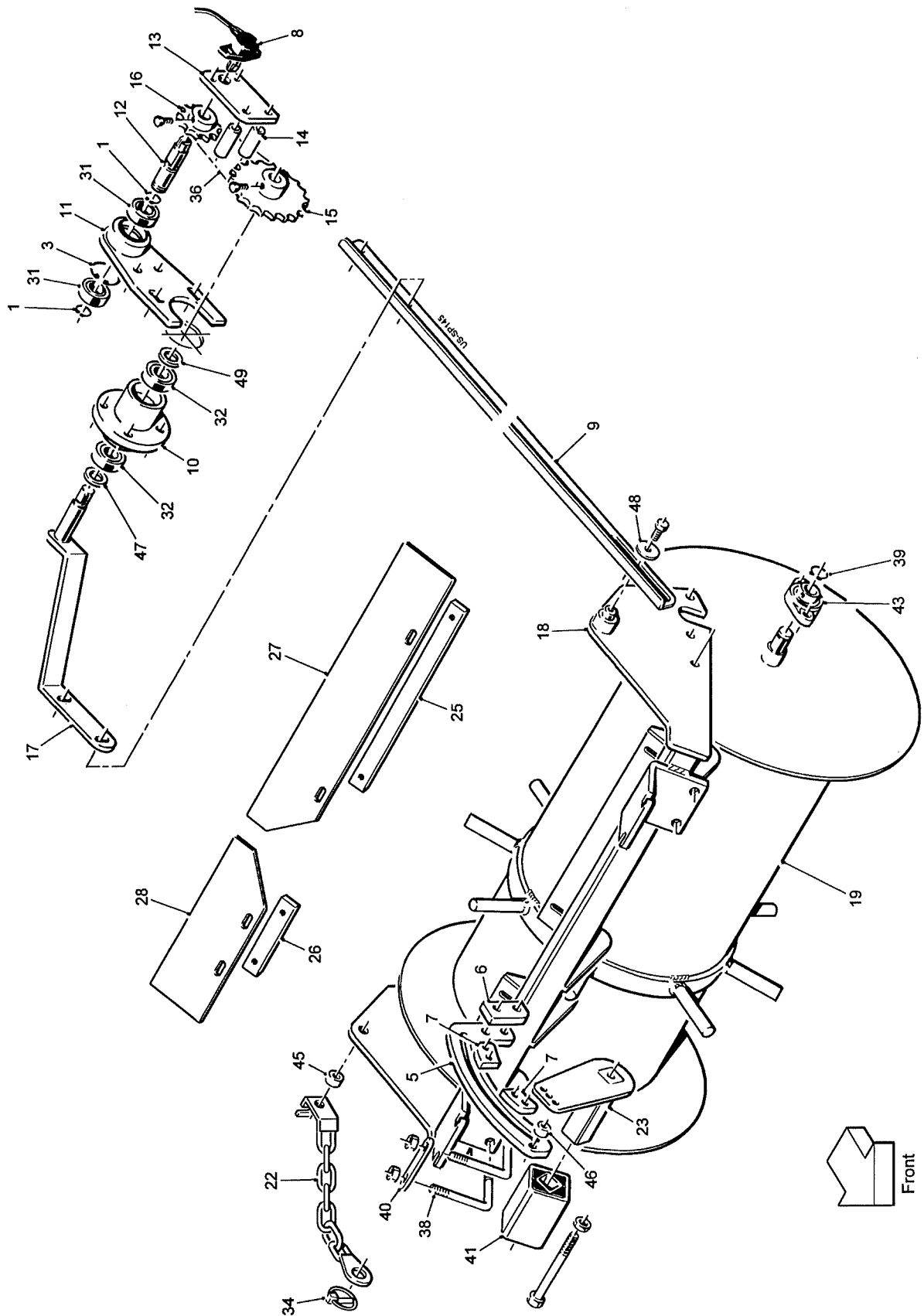
Assy No 61942

Item	Part No.	Description	Qty.	Remarks
35				
36	SS012010/010	Steel Spacer	16	
37	61228	Dirt Deflector	2	Part was 68089
38	57374A	Curtain Flap (1500mm)	1	
	57374C	Curtain Flap (1700mm)	1	
	57374B	Curtain Flap (1600mm)	1	
39	57644A	Clamp Strip (1500mm)	1	
	57644C	Clamp Strip (1700mm)	1	
	57664B	Clamp Strip (1600mm)	1	
40	57645	End Plate	1	
41	61789D	Mounting Bar (1500mm)	1	
	61789C	Mounting Bar (1700mm)	1	
	61789B	Mounting Bar (1600mm)	1	
42	61790	Adjuster Handle	1	
43	61853	Adjuster Plate	1	
44	61996	Cover Plate	1	
45				
46				
47	68062	Panel Bracket	4	
48	68114/1500	Deflector Panel (1500mm)	1	Early machines only
	68114/1700	Deflector Panel (1700mm)	1	Early machines only
49	68134/1500	Deflector Mounting Panel (1500mm)	1	
	68134/1700	Deflector Mounting Panel (1700mm)	1	
	68134/1600	Deflector Mounting Panel (1600mm)	1	
50	68135/1500	Rubber Deflector (1500mm)	1	
	68135/1700	Rubber Deflector (1700mm)	1	
	68135/1600	Rubber Deflector (1600mm)	1	
51	68136/1500	Clamp Plate (1500mm)	1	
	68136/1700	Clamp Plate (1700mm)	1	
	68136/1600	Clamp Plate (1600mm)	1	



Machines from 2019

Depth Roller Assembly



3.6a

STAR UNIPLUS SPARE PARTS

Machines from 2019

Depth Roller Assembly

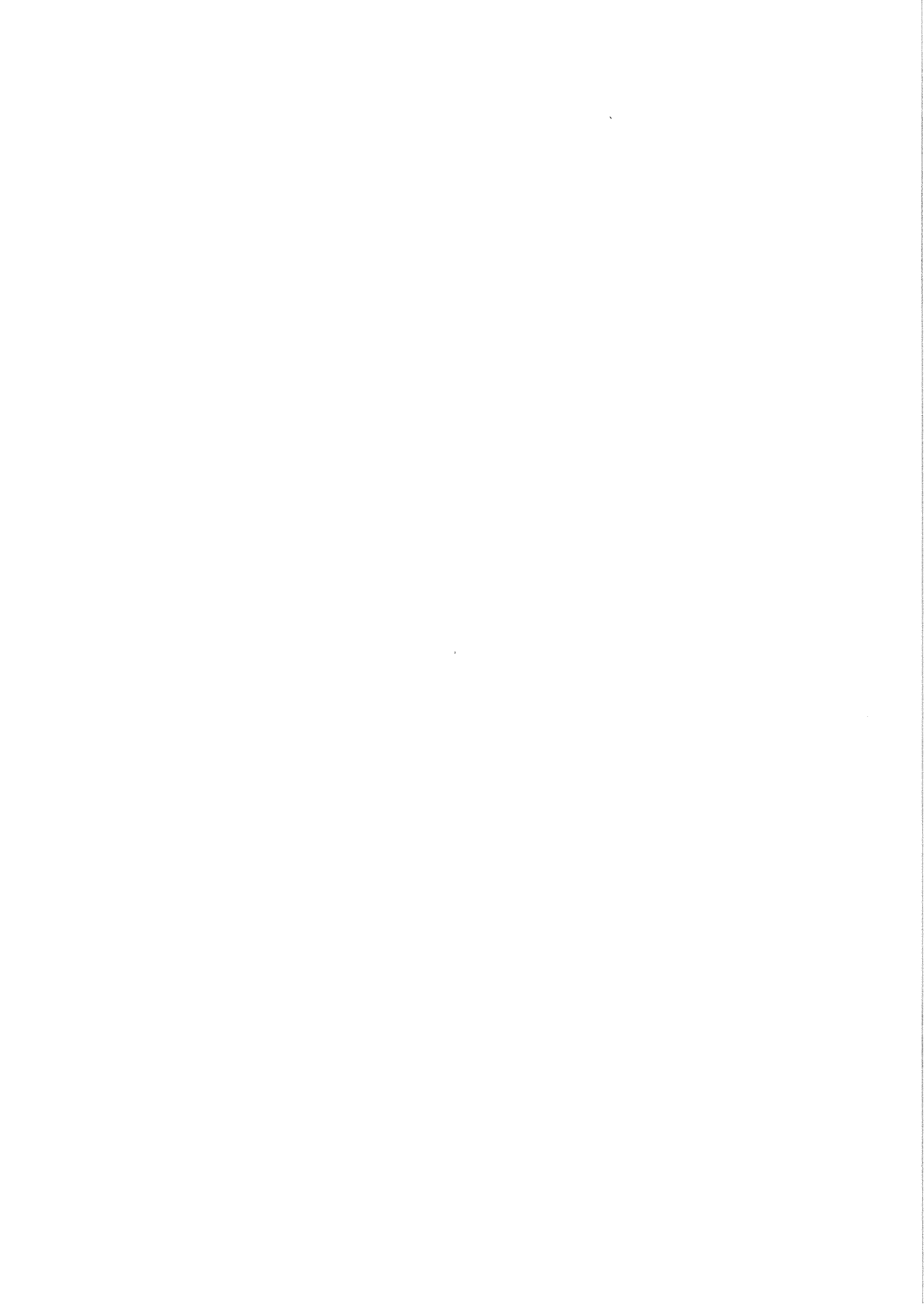
Item	Part No.	Description	Qty.	Remarks
1	12298	Ø20 External Circlip	2	
2				
3	32338	Ø42 Internal Circlip	1	
4				
5	57357	Adjuster Plate	2	
6	57358	Spacer Plate	2	
7	57359	Stop Block	4	
8	57403	Rotary Transducer	1	
9	57413	Radius Arm	1	Short front chassis
	57413A	Radius Arm	1	Long front chassis
10	57415	Bearing Housing	1	
11	57416	Tension Plate	1	
12	57417	Sensor Spindle	1	
13	57418	Sensor Plate	1	
14	57419	Spacer	2	
15	57420	32T 1/2"Pitch Sprocket	1	
16	57421	16T 1/2"Pitch Sprocket	1	
17	57567A	Depth Control Arm (1500mm)	1	
	57978	Depth Control Arm (1700mm)	1	
	57567	Depth Control Arm (1600mm)	1	
18	57564A	Depth Roller Frame	1	1020mm depth roller
	57532A	Depth Roller Frame	1	1200mm depth roller
19	57566	Depth Roller (1020mm wide)	1	
	57531	Depth Roller (1200mm wide)	1	
20				
21				
22	61185A	Transport Chain	1	
23	61225	Quadrant Arm	2	
24				
25	61745	Clamp Plate LH	1	1020mm depth roller
	61745A	Clamp Plate LH	1	1200mm depth roller
26	61746	Clamp Plate RH	1	1020mm depth roller
	61746A	Clamp Plate RH	1	1200mm depth roller
27	61766	Scraper LH	1	1020mm depth roller
	61766A	Scraper LH	1	1200mm depth roller
28	61767	Scraper RH	1	1020mm depth roller
	61767A	Scraper RH	1	1200mm depth roller
29				
30				
31	6004RS	Bearing	2	
32	6005RS	Bearing	2	
33				
34	DW50934	Clip Pin	1	
35				
36	PH526/50	1/2"Pitch Drive Chain	1	
37				
38	RPF122.116115	M16 'L' Bolt	4	
39	RPF200.025200	Ø25 External Circlip	2	
40	RPGMRP025.01058	Keep Plate	2	

STAR UNIPLUS SPARE PARTS**3.6b**

Machines from 2019

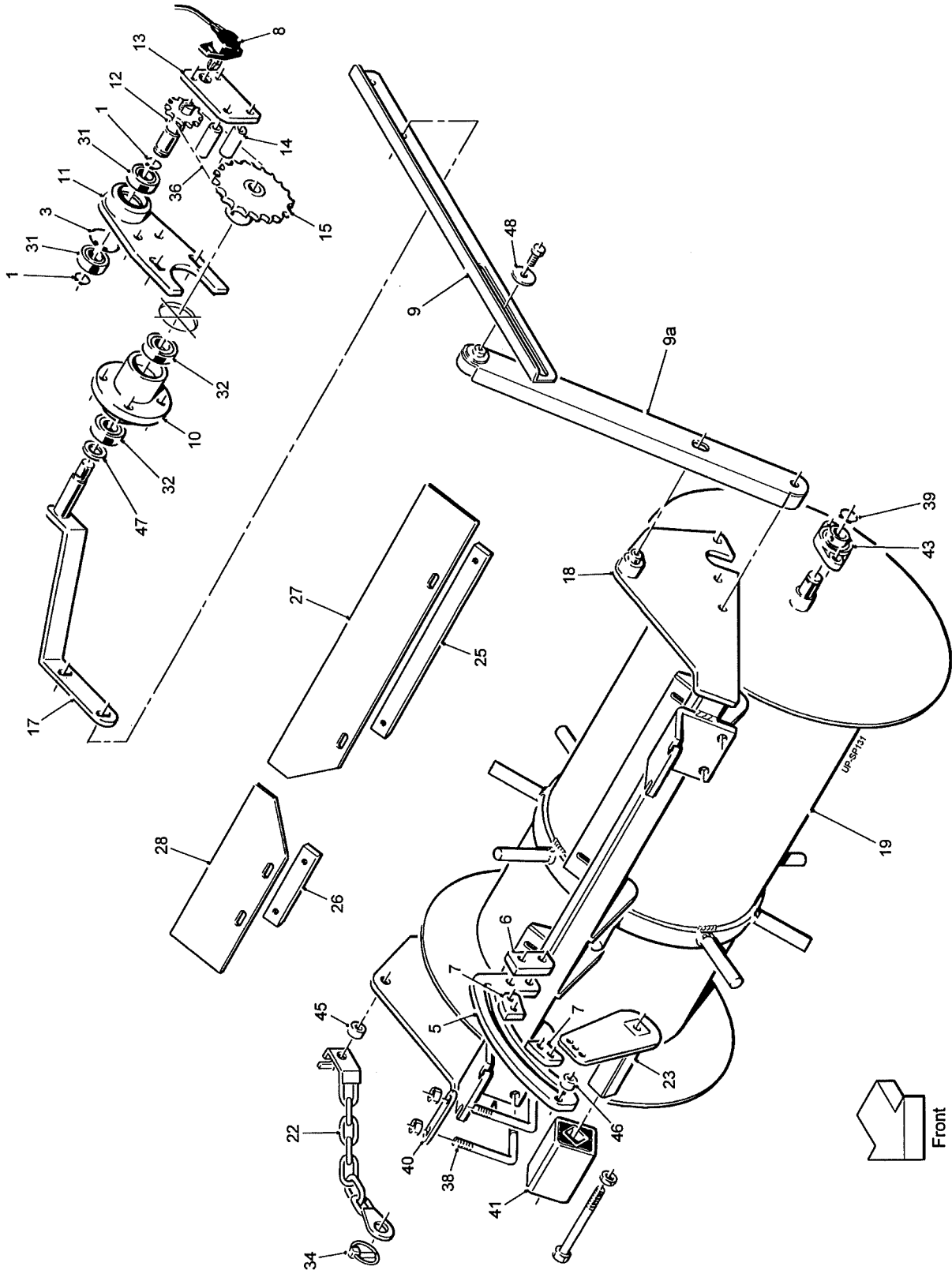
Depth Roller Assembly

Item	Part No.	Description	Qty.	Remarks
41	RPGMRP084.00001	Rubber Torsion Unit	2	
42				
43	SFT25	Bearing	2	
44				
45	SS020013/009	Steel Spacer	1	
46	SS025014/012	Steel Spacer	2	
47	SS038026/004	Steel Spacer	1	
48	SS040011/003	Steel Spacer	1	
49	SS040021/004	Steel Spacer	1	



Machines from 2024

Depth Roller Assembly



3.6a

STAR UNIPLUS SPARE PARTS

Machines from 2024

Depth Roller Assembly

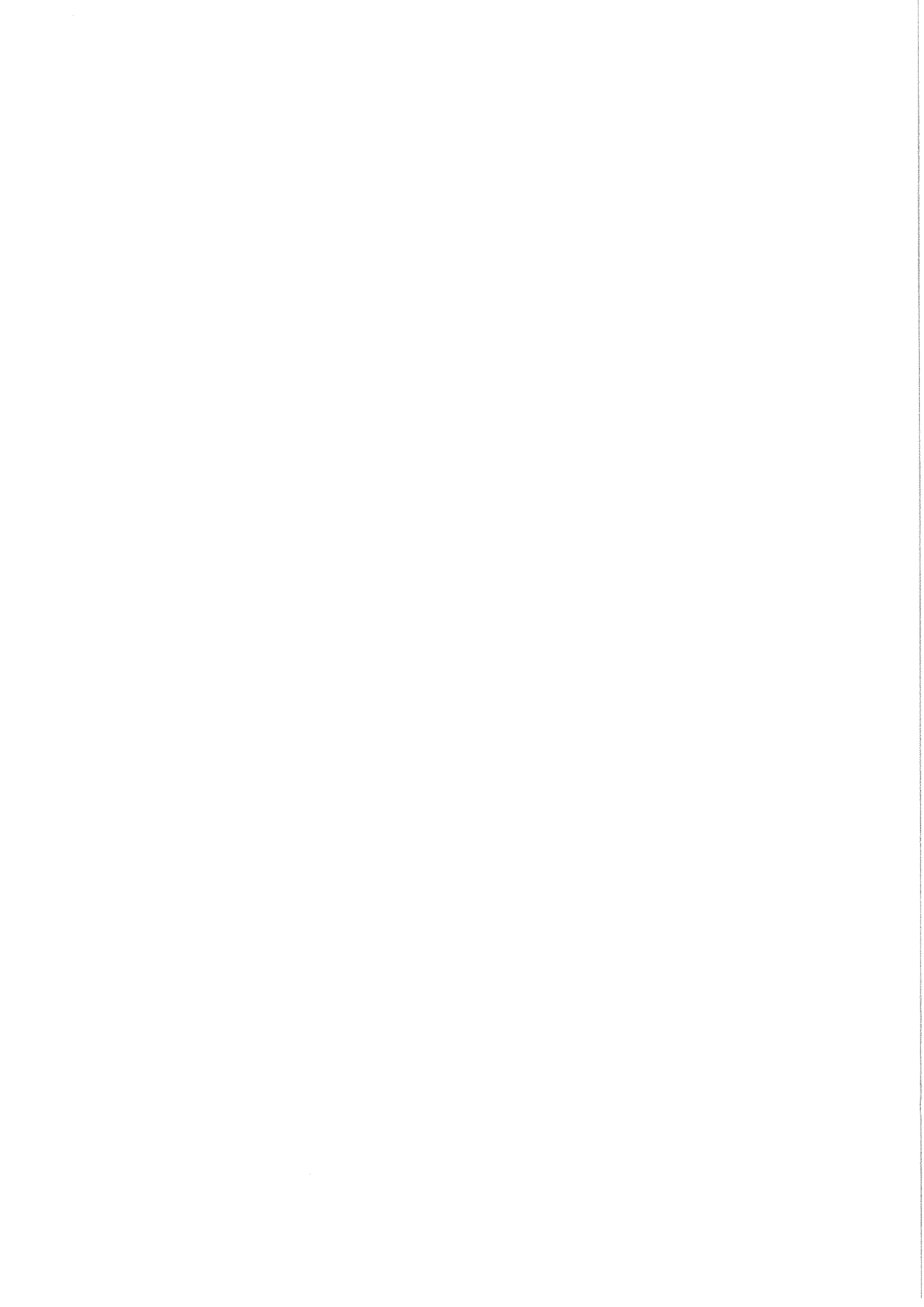
Item	Part No.	Description	Qty.	Remarks
1	12298	Ø20 External Circlip	2	
2				
3	32338	Ø42 Internal Circlip	1	
4				
5	57357	Adjuster Plate	2	
6	57358	Spacer Plate	2	
7	57359	Stop Block	4	
8	57403	Rotary Transducer	1	
9	57413B	Radius Arm	1	Short front chassis
	57413	Radius Arm	1	Long front chassis
9a	68235	Top Link Arm	1	
10	57415	Bearing Housing	1	
11	57416	Tension Plate	1	
12	68237	9T 1/2"Pitch Sprocket & Spindle	1	
13	57418	Sensor Plate	1	
14	57419	Spacer	2	
15	68236	36T 1/2"Pitch Sprocket	1	
16				
17	57567A	Depth Control Arm (1500mm)	1	
	57978	Depth Control Arm (1700mm)	1	
	57567	Depth Control Arm (1600mm)	1	
18	57564A	Depth Roller Frame	1	1020mm depth roller
	57532A	Depth Roller Frame	1	1200mm depth roller
19	57566	Depth Roller (1020mm wide)	1	
	57531	Depth Roller (1200mm wide)	1	
20				
21				
22	61185A	Transport Chain	1	
23	61225	Quadrant Arm	2	
24				
25	61745	Clamp Plate LH	1	1020mm depth roller
	61745A	Clamp Plate LH	1	1200mm depth roller
26	61746	Clamp Plate RH	1	1020mm depth roller
	61746A	Clamp Plate RH	1	1200mm depth roller
27	61766	Scraper LH	1	1020mm depth roller
	61766A	Scraper LH	1	1200mm depth roller
28	61767	Scraper RH	1	1020mm depth roller
	61767A	Scraper RH	1	1200mm depth roller
29				
30				
31	6004RS	Bearing	2	
32	6005RS	Bearing	2	
33				
34	DW50934	Clip Pin	1	
35				
36	PH526/49	1/2"Pitch Drive Chain	1	
37				
38	RPF122.116115	M16 'L' Bolt	4	
39	RPF200.025200	Ø25 External Circlip	2	
40	RPGMRP025.01058	Keep Plate	2	

STAR UNIPLUS SPARE PARTS**3.6b**

Machines from 2024

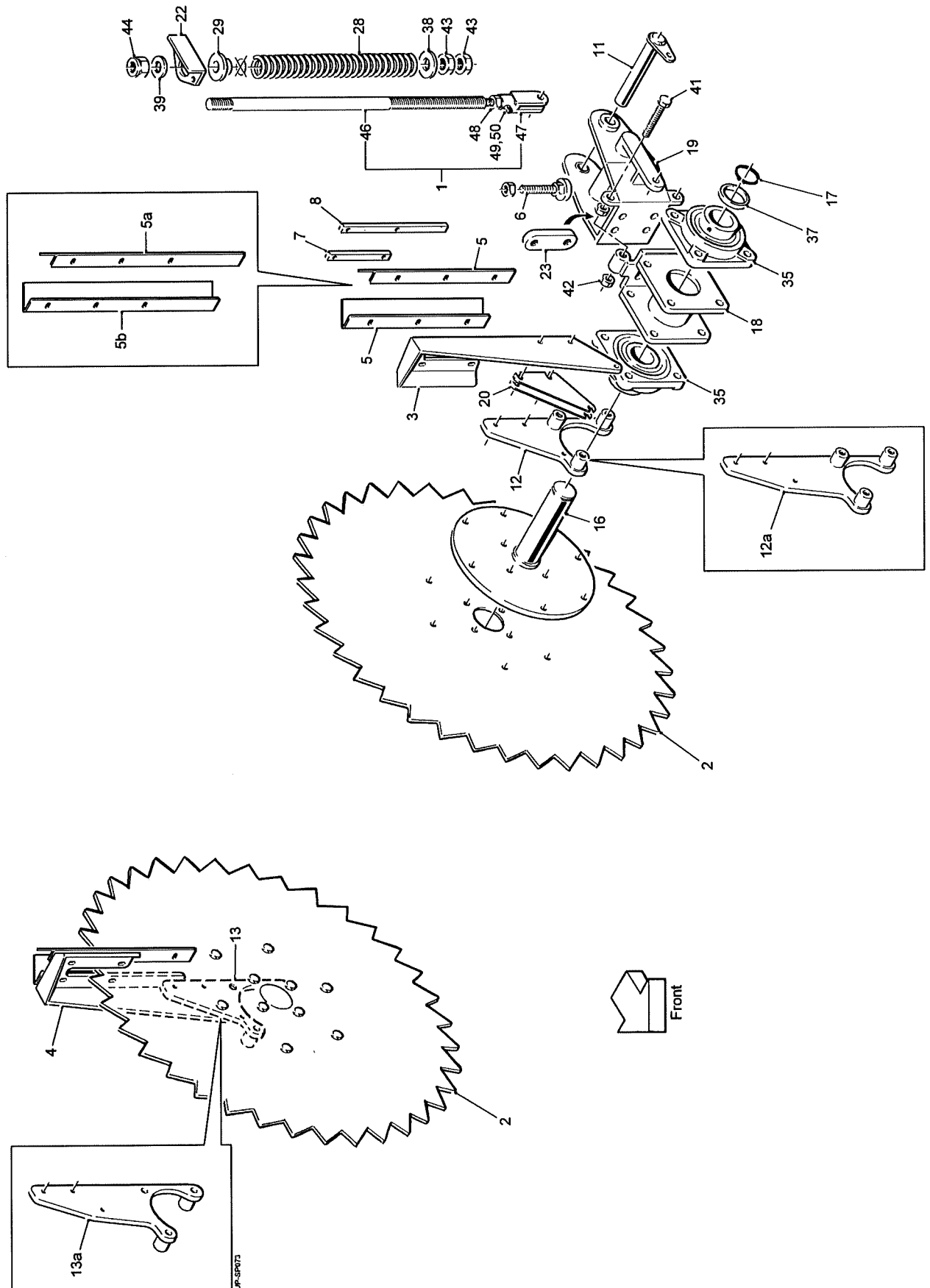
Depth Roller Assembly

Item	Part No.	Description	Qty.	Remarks
41	RPGMRP084.00001	Rubber Torsion Unit	2	
42				
43	SFT25	Bearing	2	
44				
45	SS020013/009	Steel Spacer	1	
46	SS025014/012	Steel Spacer	2	
47	SS038026/004	Steel Spacer	1	
48	SS040011/003	Steel Spacer	1	



Machines from 2019

Disc Assemblies



3.7a**STAR UNIPLUS SPARE PARTS**

Machines from 2019

Disc Assemblies

Item	Part No.	Description	Qty.	Remarks
1	61999	Tension Rod Complete	2	(see list at end)
2	57539	SawTooth Disc (Ø1140mm)	2	
	61669	SawTooth Disc (Ø1340mm)	2	
3	57573	Scraper Mount LH	1	
4	57574	Scraper Mount RH	1	
5	57575	Scraper	4	Ø1140mm Disc
5a	61738	Scraper	2	Ø1340mm Disc
5b	61739	Scraper	2	Ø1340mm Disc
6	57740	Adjuster	2	
7	57741	Scraper Clamp Strip (short)	2	
8	57742	Scraper Clamp Strip (long)	2	
9				
10				
11	61233	Pivot Pin	2	
12	61782	Scraper Mounting LH	1	Ø1140mm Disc
12a	61736	Scraper Mounting LH	1	Ø1340mm Disc
13	61783	Scraper Mounting RH	1	Ø1140mm Disc
13a	61737	Scraper Mounting RH	1	Ø1340mm Disc
14				
15				
16	61741	Disc Spindle	2	
17	61750	Ø75 External Circlip	2	
18	61780	Disc Bearing Mount	2	
19	61781	Disc Mounting	2	Ø1140mm Disc
	61781A	Disc Mounting	2	Ø1340mm Disc
20	61784	3mm Shim	4	
21				
22	68049	Spacer Retainer	2	
23	68090	Clamp Plate	2	
24				
25				
26				
27				
28	RPC675.309312	Spring	2	
29	RPC700.309314	Spacer	2	
30				
31				
32				
33				
34				
35	SF75	Bearing	4	
36				
37	SS082076/012	Steel Spacer	2	
38	SS060028/004	Steel Spacer	2	
39	SS050031/005	Steel Spacer	2	
40				
41	22011020/160	M20x160 Setscrew	4	
42	22029020	M20 Full Nut	4	
43	22034027	M27 Half Nut	4	
44	22041027	M27 Nyloc Nut	2	

STAR UNIPLUS SPARE PARTS**3.7b**

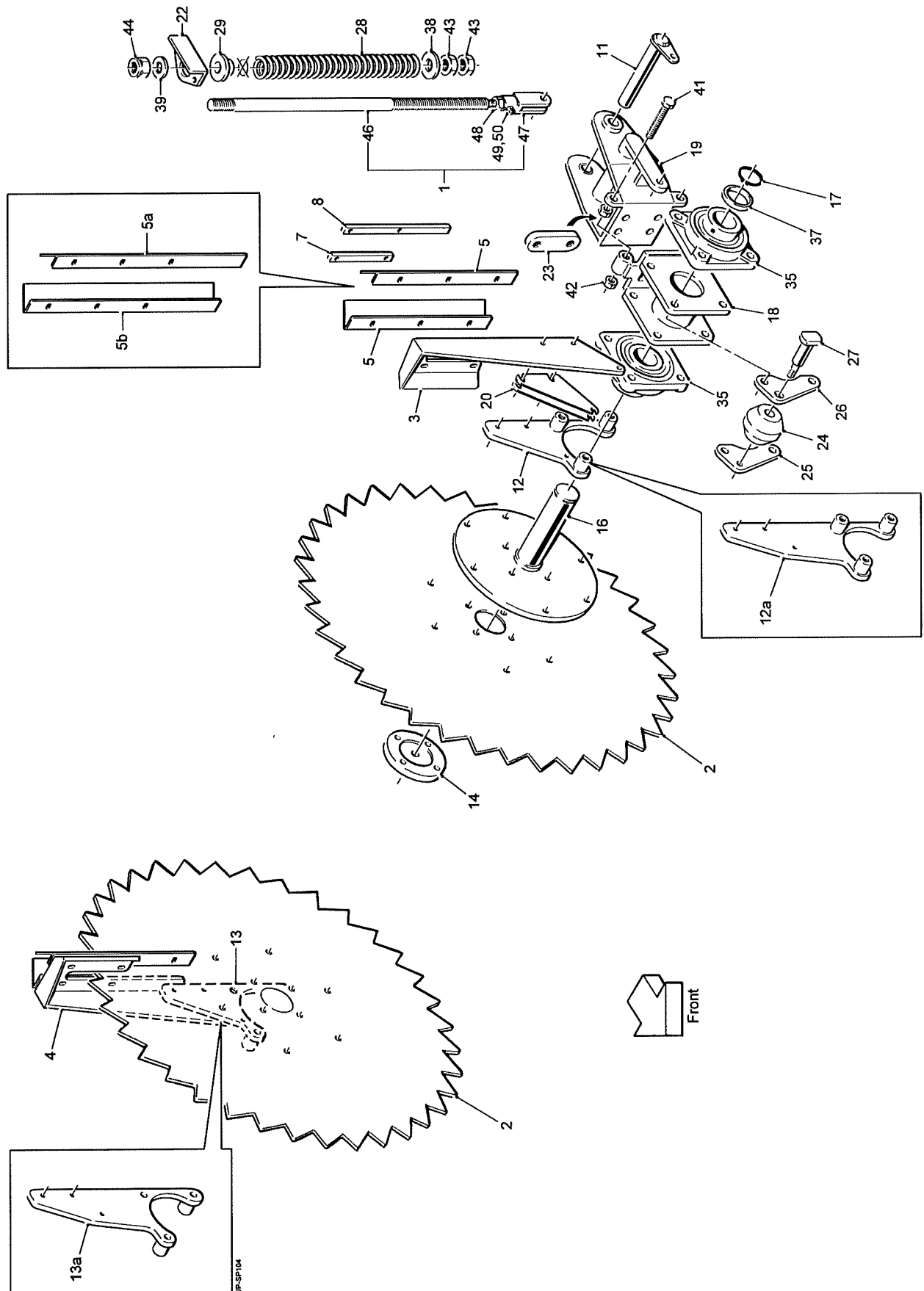
Machines from 2019

Disc Assemblies

Item	Part No.	Description	Qty.	Remarks
45				
	61999	Tension Rod Complete Consists Of:		
46	61998	Spring Rod	1	
47	57279A	Rod End	1	
48	22034027	M27Half Nut	1	
49	22018010/025	M10x25 Grubscrew	1	
50	22029010	M10 Plain Nut	1	

Machines from 2020

Disc Assemblies



3.7a

STAR UNIPLUS SPARE PARTS

Machines from 2020

Disc Assemblies

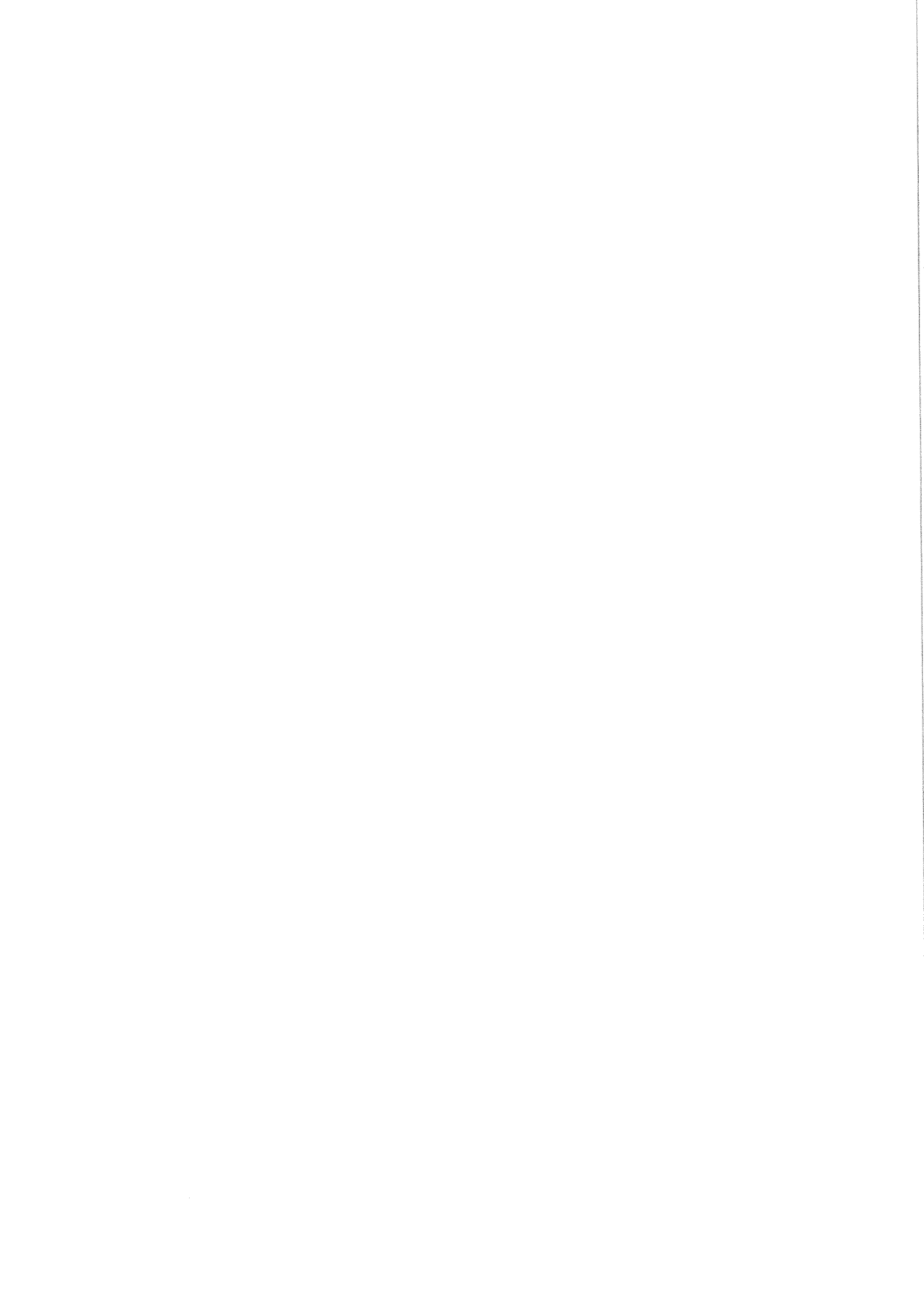
Item	Part No.	Description	Qty.	Remarks
1	61999	Tension Rod Complete	2	(see list at end)
2	57539	SawTooth Disc (Ø1140mm)	2	
	61669	SawTooth Disc (Ø1340mm)	2	
3	57573	Scraper Mount LH	1	
4	57574	Scraper Mount RH	1	
5	57575	Scraper	4	Ø1140mm Disc
5a	61738	Scraper	2	Ø1340mm Disc
5b	61739	Scraper	2	Ø1340mm Disc
6	57740	Adjuster	2	
7	57741	Scraper Clamp Strip (short)	2	
8	57742	Scraper Clamp Strip (long)	2	
9				
10				
11	61233	Pivot Pin	2	
12	61782	Scraper Mounting LH	1	Ø1140mm Disc
12a	61736	Scraper Mounting LH	1	Ø1340mm Disc
13	61783	Scraper Mounting RH	1	Ø1140mm Disc
13a	61737	Scraper Mounting RH	1	Ø1340mm Disc
14	68119	Retainer	2	
15				
16	61741	Disc Spindle	2	
17	61750	Ø75 External Circlip	2	
18	61780	Disc Bearing Mount	2	
19	61781	Disc Mounting	2	Ø1140mm Disc
	61781A	Disc Mounting	2	Ø1340mm Disc
20	61784	3mm Shim	4	
21				
22	68049	Spacer Retainer	2	
23	68090	Clamp Plate	2	
24	68126	Rubber Spring	2	
25	68127	Inner Plate	2	
26	68128	Outer Plate	2	
27	68132	Shoulder Bolt	2	
28	RPC675.309312	Spring	2	
29	RPC700.309314	Spacer	2	
30				
31				
32				
33				
34				
35	SF75	Bearing	4	
36				
37	SS082076/012	Steel Spacer	2	
38	SS060028/004	Steel Spacer	2	
39	SS050031/005	Steel Spacer	2	
40				
41	22011020/160	M20x160 Setscrew	4	
42	22029020	M20 Full Nut	4	
43	22034027	M27 Half Nut	4	
44	22041027	M27 Nyloc Nut	2	

STAR UNIPLUS SPARE PARTS**3.7b**

Machines from 2020

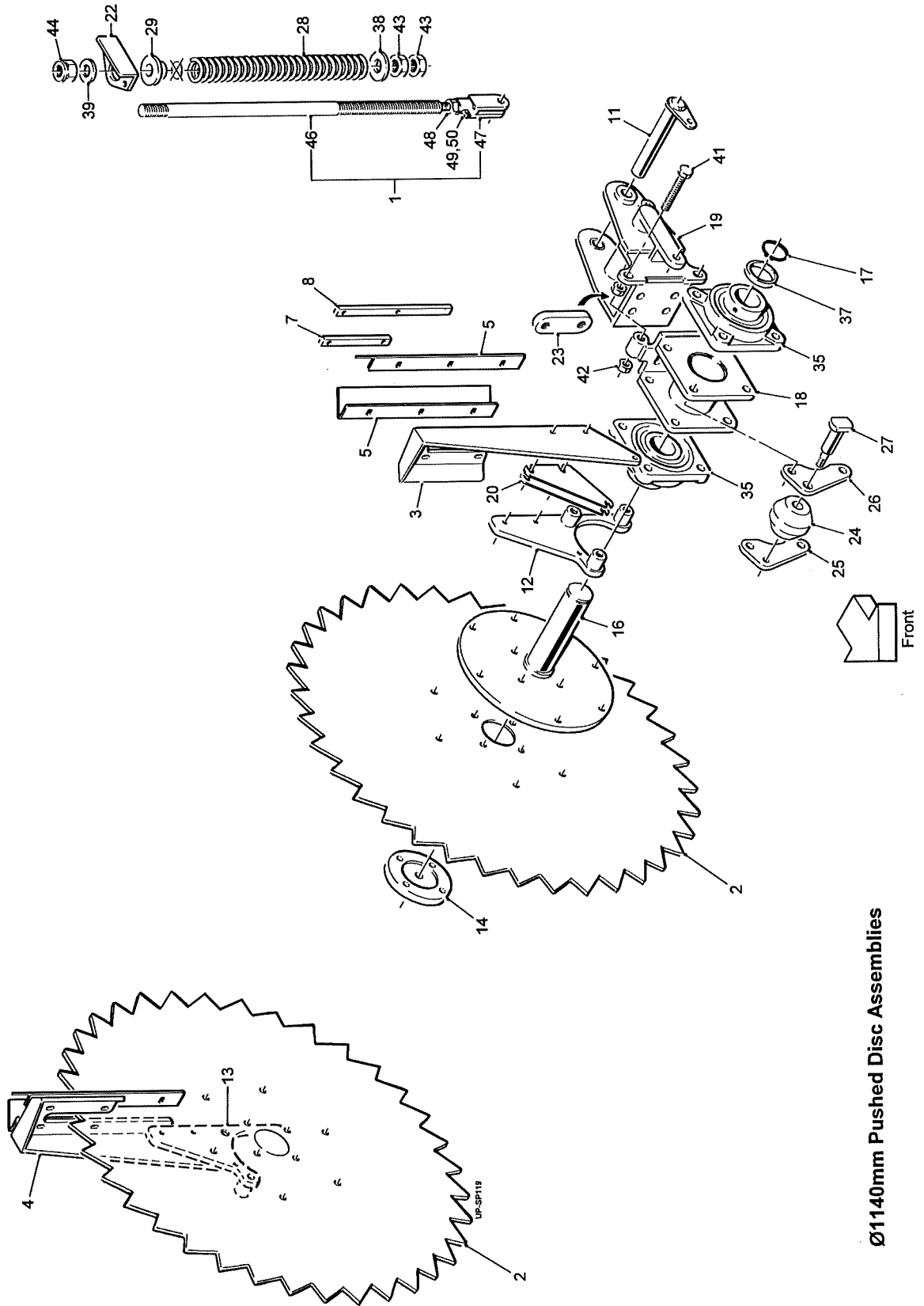
Disc Assemblies

Item	Part No.	Description	Qty.	Remarks
45				
	61999	Tension Rod Complete Consists Of:		
46	61998	Spring Rod	1	
47	57279A	Rod End	1	
48	22034027	M27Half Nut	1	
49	22018010/025	M10x25 Grubscrew	1	
50	22029010	M10 Plain Nut	1	



Machines from 2021

Disc Assemblies

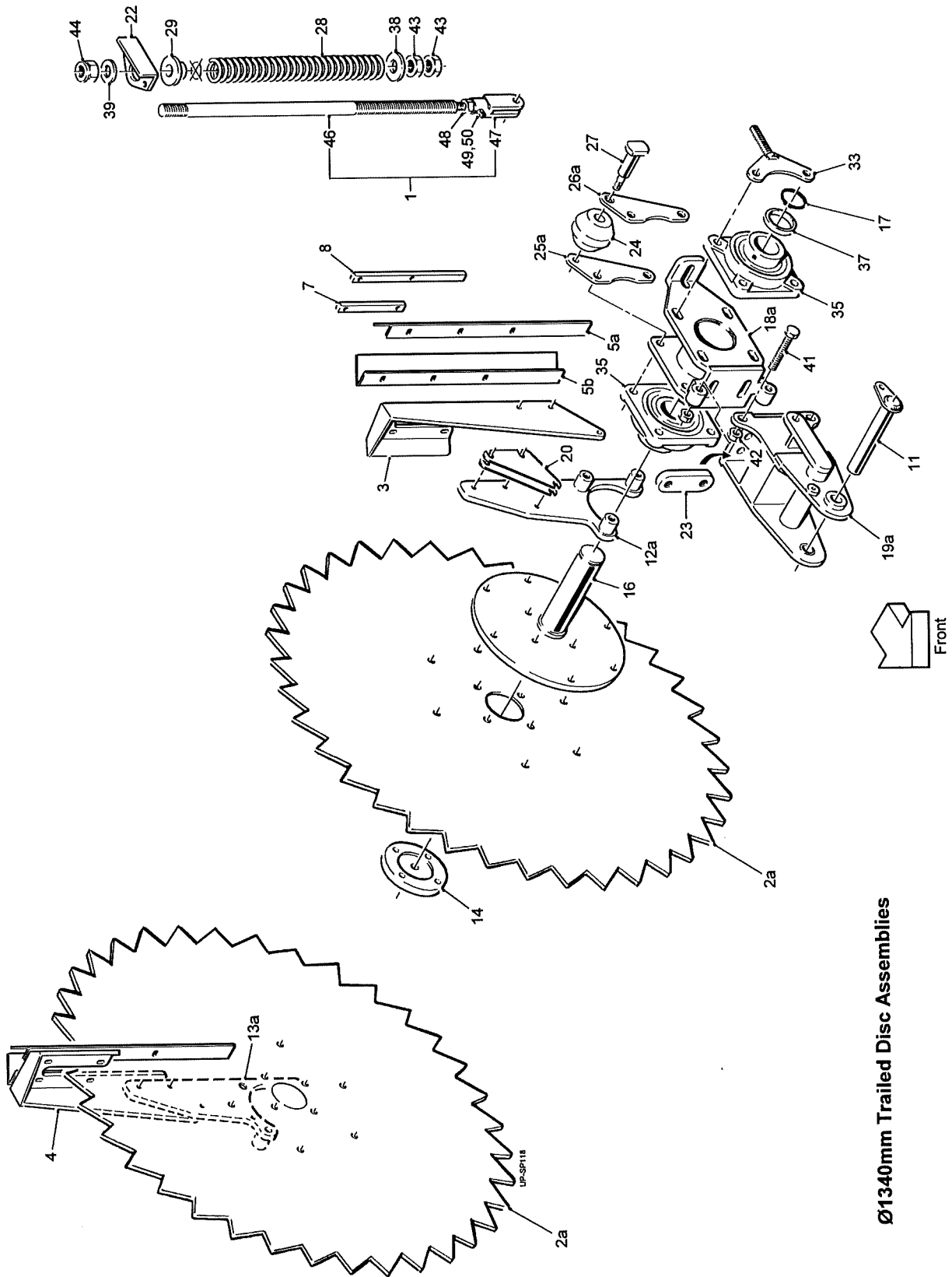


Ø1140mm Pushed Disc Assemblies

3.7a STAR UNIPLUS SPARE PARTS

Machines from 2021

Disc Assemblies



Ø1340mm Trailed Disc Assemblies

STAR UNIPLUS SPARE PARTS

3.7b

Machines from 2021

Disc Assemblies

Item	Part No.	Description	Qty.	Remarks
1	61999	Tension Rod Complete	2	(see list at end)
2	57539	SawTooth Disc (Ø1140mm)	2	
2a	61669	SawTooth Disc (Ø1340mm)	2	
3	57573	Scraper Mount LH	1	
4	57574	Scraper Mount RH	1	
5	57575	Scraper	4	Ø1140mm Disc
5a	61738	Scraper	2	Ø1340mm Disc
5b	61739	Scraper	2	Ø1340mm Disc
6	57740	Adjuster	2	
7	57741	Scraper Clamp Strip (short)	2	
8	57742	Scraper Clamp Strip (long)	2	
9				
10				
11	61233	Pivot Pin	2	
12	61782	Scraper Mounting LH	1	Ø1140mm Disc
12a	61736	Scraper Mounting LH	1	Ø1340mm Disc
13	61783	Scraper Mounting RH	1	Ø1140mm Disc
13a	61737	Scraper Mounting RH	1	Ø1340mm Disc
14	68119	Retainer	2	
15				
16	61741	Disc Spindle	2	
17	61750	Ø75 External Circlip	2	
18	61780	Disc Bearing Mount	2	Ø1140mm Disc
18a	61780A	Disc Bearing Mount	2	Ø1340mm Disc
19	61781	Disc Mounting	2	Ø1140mm Disc
19a	61781A	Disc Mounting	2	Ø1340mm Disc
20	61784	3mm Shim	4	
21				
22	68049	Spacer Retainer	2	
23	68090	Clamp Plate	2	
24	68126	Rubber Spring	2	
25	68127	Inner Plate	2	Ø1140mm Disc
25a	68127A	Inner Plate	2	Ø1340mm Disc
26	68128	Outer Plate	2	Ø1140mm Disc
26a	68128A	Outer Plate	2	Ø1340mm Disc
27	68132	Shoulder Bolt	2	
28	RPC675.309312	Spring	2	
29	RPC700.309314	Spacer	2	
30				
31				
32				
33	70035	Adjuster Bracket	2	Ø1340mm Disc only
34				
35	SF75	Bearing	4	
36				
37	SS082076/012	Steel Spacer	2	
38	SS060028/004	Steel Spacer	2	

3.7c**STAR UNIPLUS SPARE PARTS**

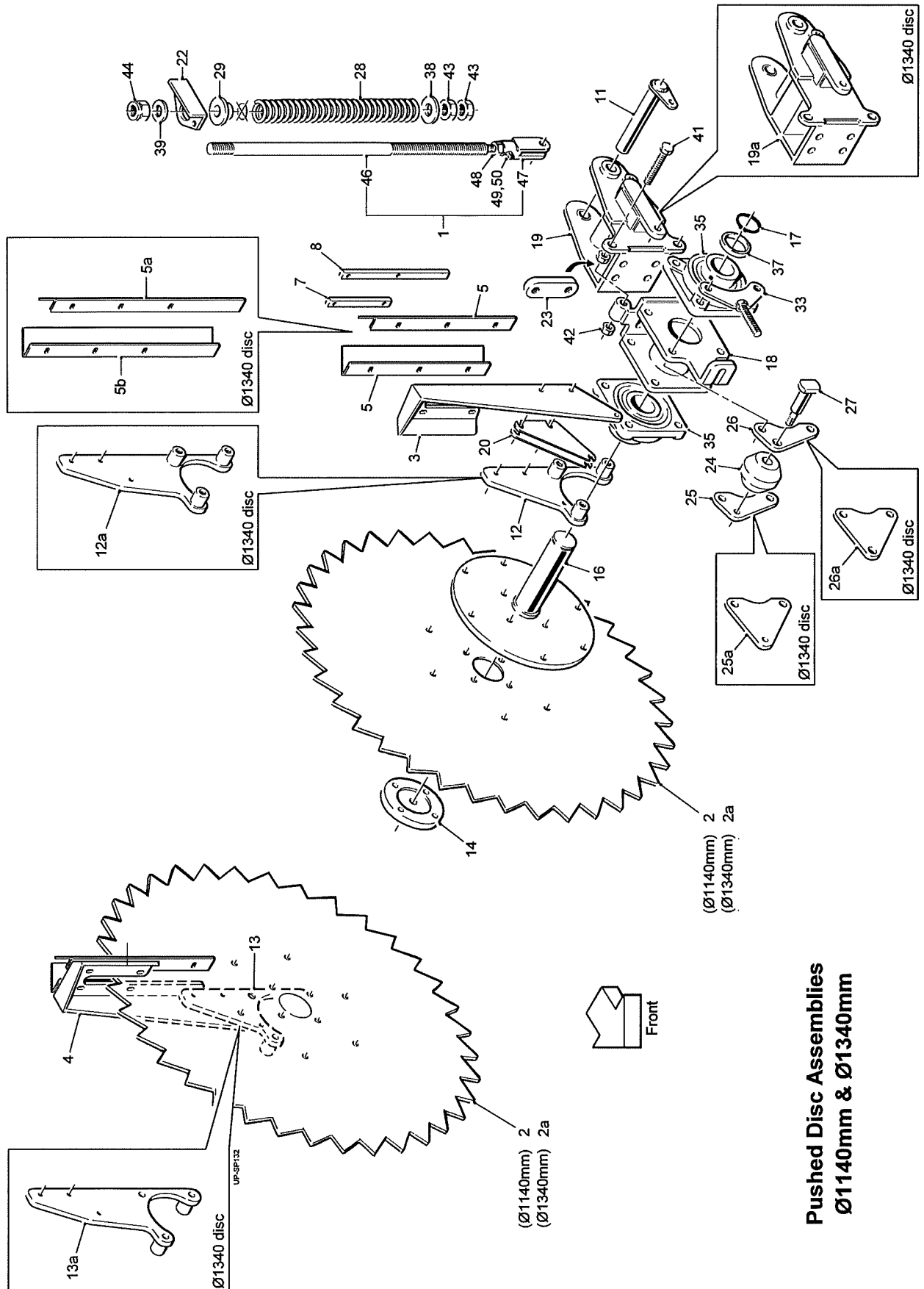
Machines from 2021

Disc Assemblies

Item	Part No.	Description	Qty.	Remarks
39	SS050031/005	Steel Spacer	2	
40				
41	22011020/160	M20x160 Setscrew	4	
42	22029020	M20 Full Nut	4	
43	22034027	M27 Half Nut	4	
44	22041027	M27 Nyloc Nut	2	
45				
	61999	Tension Rod Complete Consists Of:		
46	61998	Spring Rod	1	
47	57279A	Rod End	1	
48	22034027	M27Half Nut	1	
49	22018010/025	M10x25 Grubscrew	1	
50	22029010	M10 Plain Nut	1	

Machines from 2024

Disc Assemblies



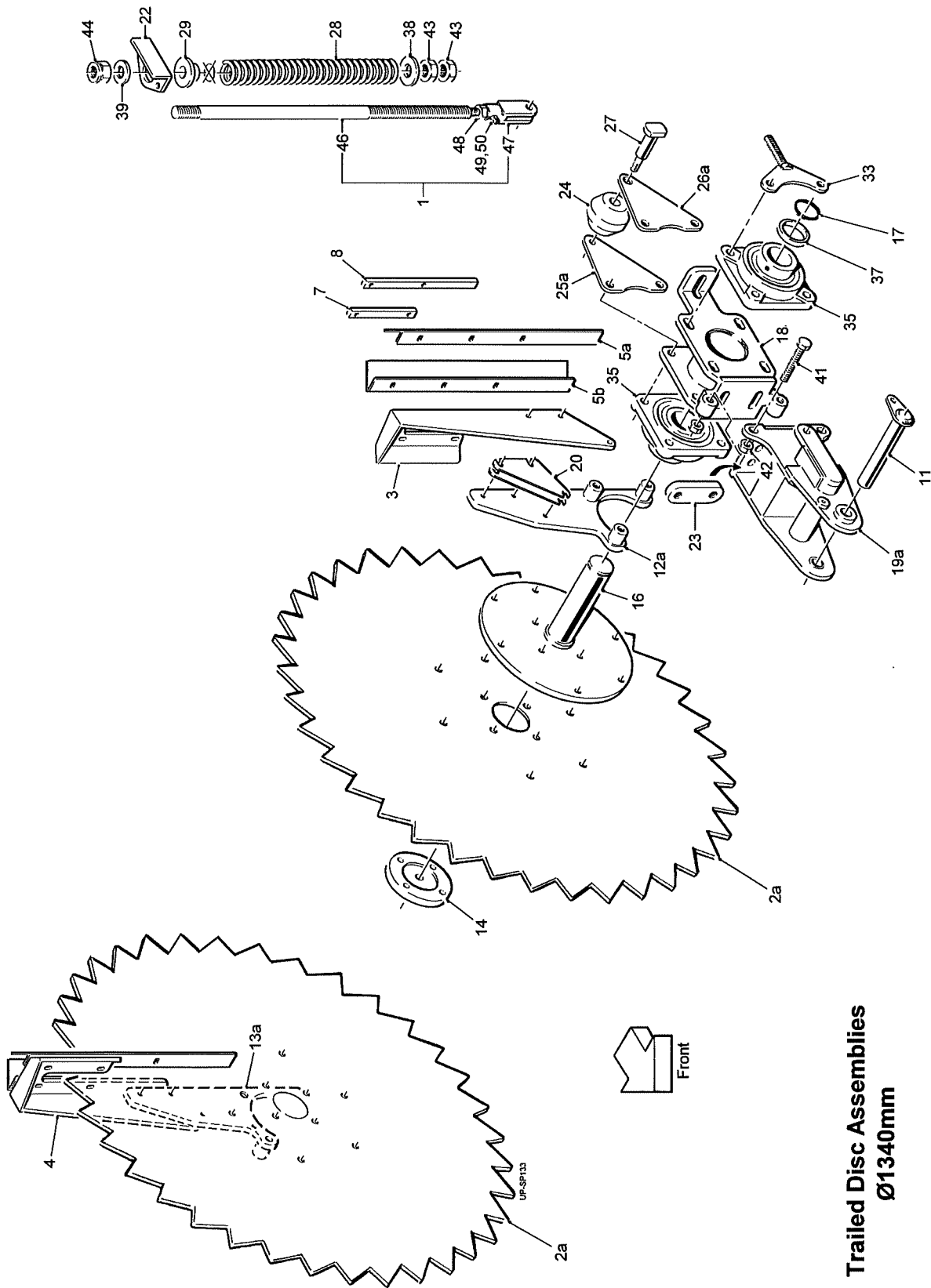
**Pushed Disc Assemblies
Ø1140mm & Ø1340mm**

3.7a

STAR UNIPLUS SPARE PARTS

Machines from 2024

Disc Assemblies



Machines from 2024

Disc Assemblies

Item	Part No.	Description	Qty.	Remarks
1	61999	Tension Rod Complete	2	(see list at end)
2	57539	SawTooth Disc (Ø1140mm)	2	
2a	61669	SawTooth Disc (Ø1340mm)	2	
3	57573	Scraper Mount LH	1	
4	57574	Scraper Mount RH	1	
5	57575	Scraper	4	Ø1140mm Disc
5a	61738	Scraper	2	Ø1340mm Disc
5b	61739	Scraper	2	Ø1340mm Disc
6	57740	Adjuster	2	
7	57741	Scraper Clamp Strip (short)	2	
8	57742	Scraper Clamp Strip (long)	2	
9				
10				
11	61233	Pivot Pin	2	
12	61782	Scraper Mounting LH	1	Ø1140mm Disc
12a	61736	Scraper Mounting LH	1	Ø1340mm Disc
13	61783	Scraper Mounting RH	1	Ø1140mm Disc
13a	61737	Scraper Mounting RH	1	Ø1340mm Disc
14	68119	Retainer	2	
15				
16	61741	Disc Spindle	2	
17	61750	Ø75 External Circlip	2	
18	61780	Disc Bearing Mount	2	
19	61781	Disc Mounting	2	Ø1140mm Disc
19a	61781A	Disc Mounting	2	Ø1340mm Disc
20	61784	3mm Shim	4	
21				
22	68049	Spacer Retainer	2	
23	68090	Clamp Plate	2	
24	68126	Rubber Spring	2	
25	68127	Inner Plate	2	Ø1140mm Disc
25a	68127B	Inner Plate	2	Ø1340mm Disc
26	68128	Outer Plate	2	Ø1140mm Disc
26a	68128B	Outer Plate	2	Ø1340mm Disc
27	68132	Shoulder Bolt	2	
28	RPC675.309312	Spring	2	
29	RPC700.309314	Spacer	2	
30				
31				
32				
33	70035	Adjuster Bracket	2	
34				
35	SF75	Bearing	4	
36				
37	SS082076/012	Steel Spacer	2	
38	SS060028/004	Steel Spacer	2	

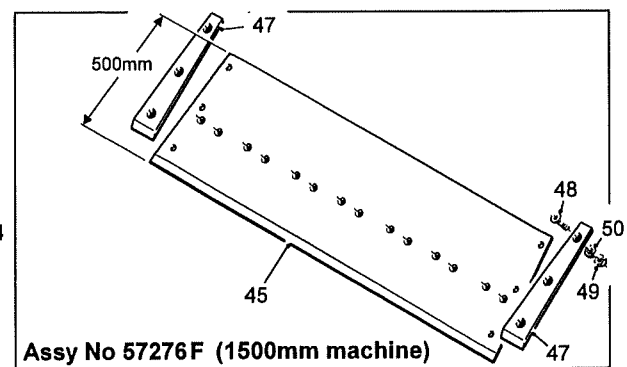
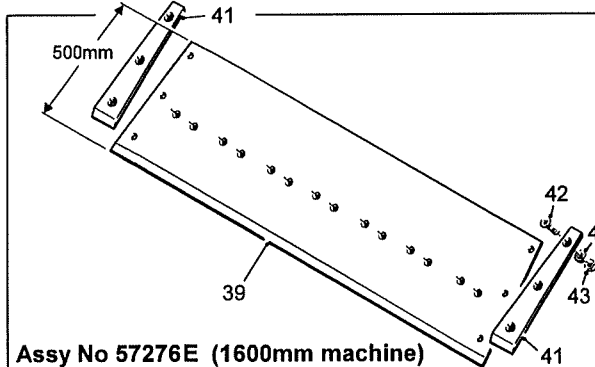
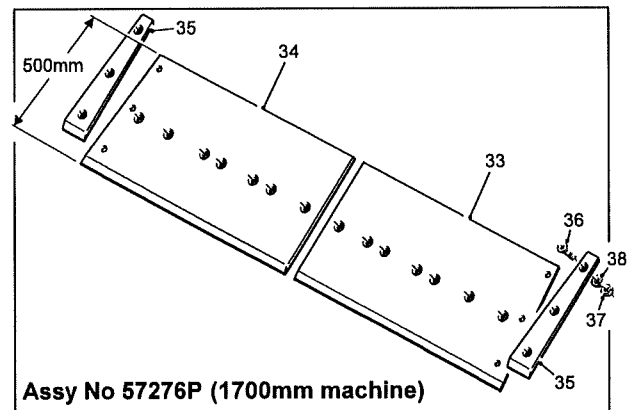
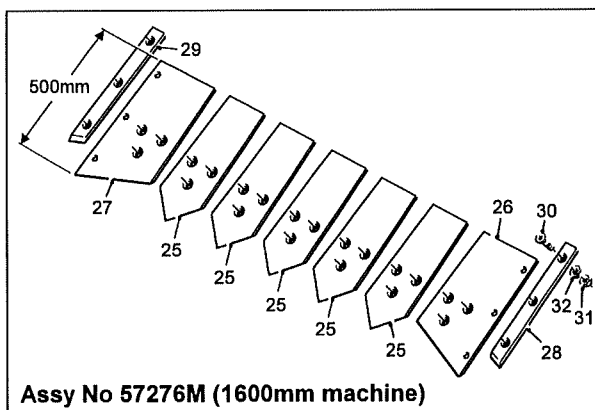
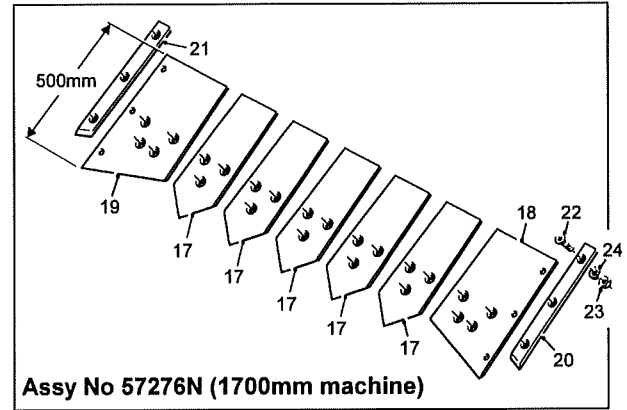
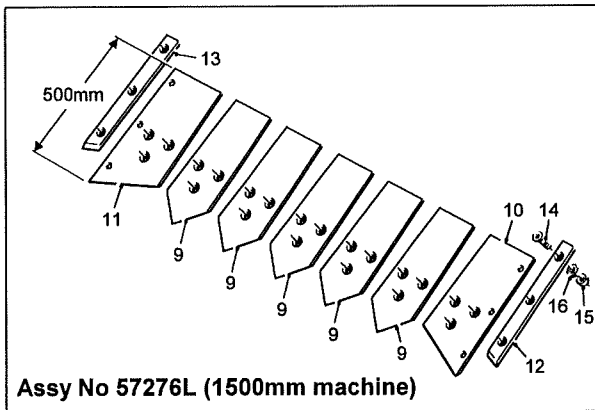
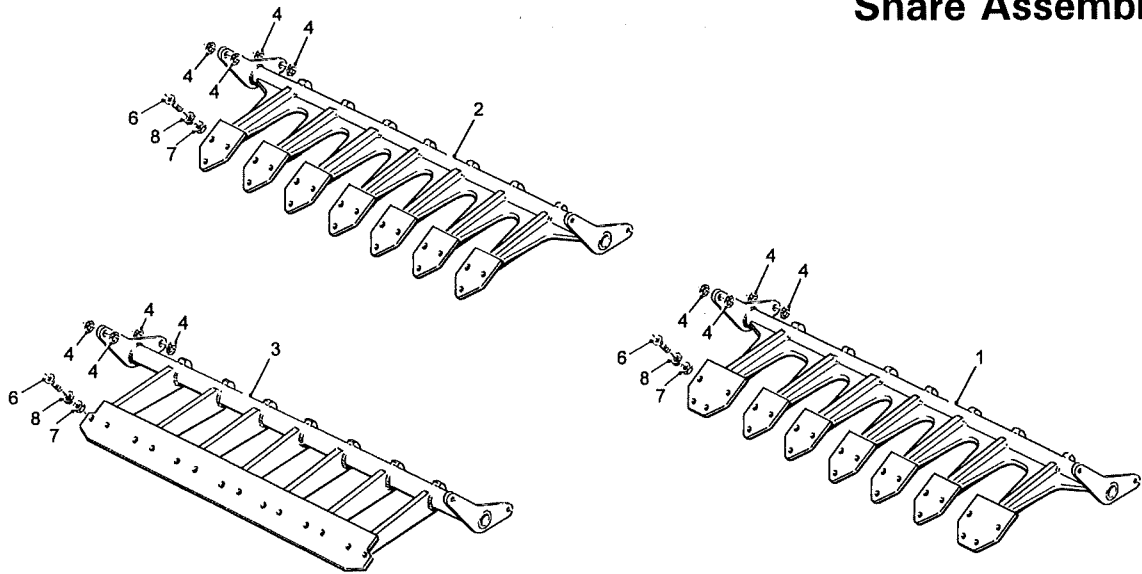
Machines from 2024

Disc Assemblies

Item	Part No.	Description	Qty.	Remarks
39	SS050031/005	Steel Spacer	2	
40				
41	22011020/160	M20x160 Setscrew	4	
42	22029020	M20 Full Nut	4	
43	22034027	M27 Half Nut	4	
44	22041027	M27 Nyloc Nut	2	
45				
	61999	Tension Rod Complete Consists Of:		
46	61998	Spring Rod	1	
47	57279A	Rod End	1	
48	22034027	M27Half Nut	1	
49	22018010/025	M10x25 Grubscrew	1	
50	22029010	M10 Plain Nut	1	

Machines from 2019

Share Assemblies



3.8a

STAR UNIPLUS SPARE PARTS

Machines from 2019

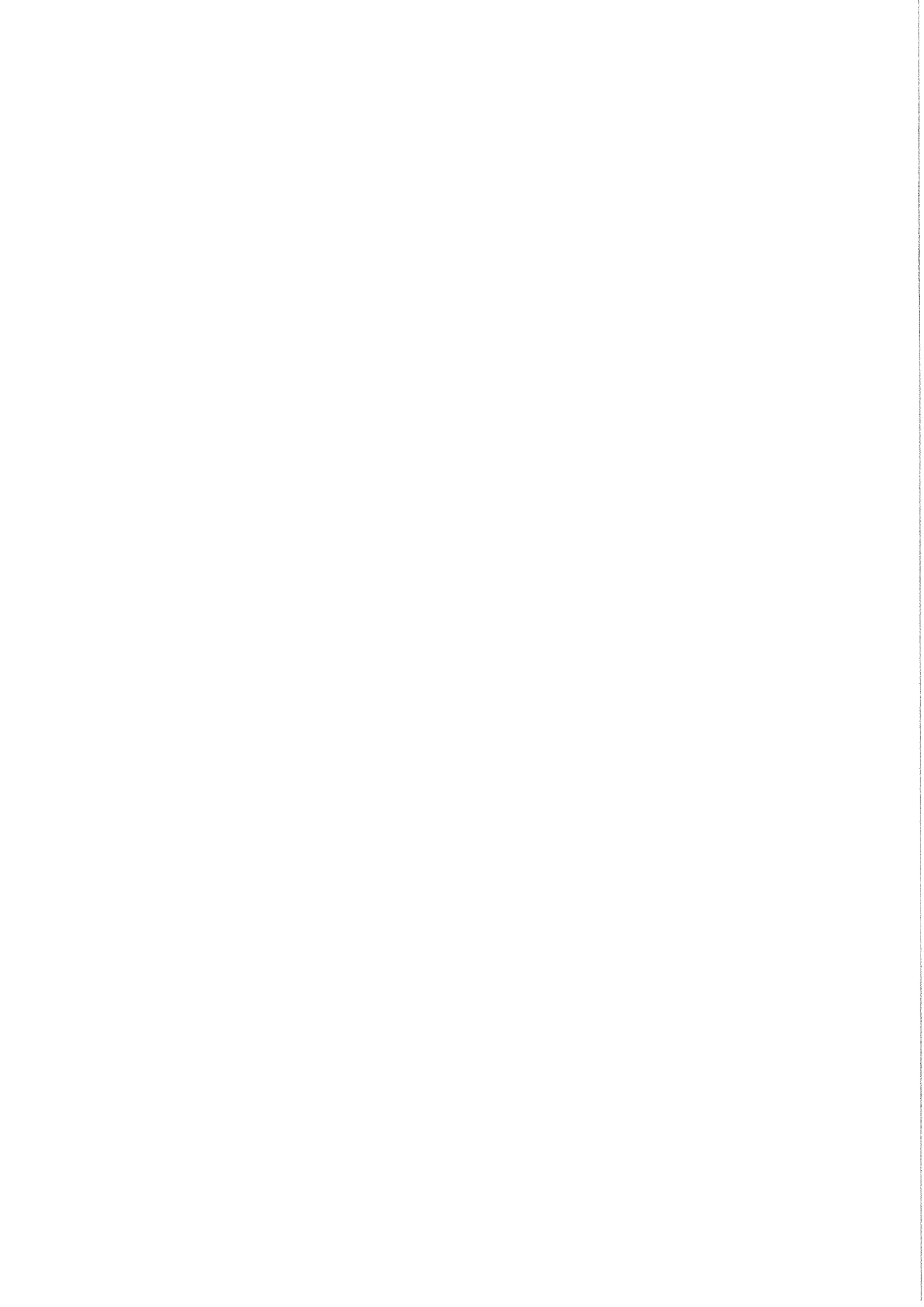
Share Assemblies

Item	Part No.	Description	Qty.	Remarks
1	57430A	Heavy Duty Share Frame (1700mm)	1	
2	57430B	Heavy Duty Share Frame (1500mm)	1	
	57430	Heavy Duty Share Frame (1600mm)	1	
3	68239	One Piece Share Frame (1500mm)	1	
	57352	One Piece Share Frame (1600mm)	1	
	68163	One Piece Share Frame (1700mm)	1	
4	42059A/8	Spring Washer	8	
5				
6	RPF134.112030	M12x30 CSK Socket Setscrew	21	1500mm & 1600mm
	RPF134.112030	M12x30 CSK Socket Setscrew	23	1700mm
7	22029012	M12 Full Nut	21	1500mm & 1600mm
	22029012	M12 Full Nut	23	1700mm
8	22052012	M12 Spring Washer	21	1500mm & 1600mm
	22052012	M12 Spring Washer	23	1700mm
	57276L	Flat Share Assembly with Wear Strips		1500mm machine
9	57437	Centre Share Blade (3 hole)	5	
10	61281	LH Share Blade (6 hole)	1	
11	61282	RH Share Blade (6 hole)	1	
12	61283	LH Wear Strip	1	
13	61284	RH Wear Strip	1	
14	RPF134.112030	M12x30 CSK Socket Setscrew	6	
15	22029012	M12 Full Nut	6	
16	22052012	M12 spring Washer	6	
	57276N	Flat Share Assembly with Wear Strips		1700mm machine
17	57437	Centre Share Blade (3 hole)	5	
18	61281B	LH Share Blade (7 hole)	1	
19	61282B	RH Share Blade (7 hole)	1	
20	61283	LH Wear Strip	1	
21	61284	RH Wear Strip	1	
22	RPF134.112030	M12x30 CSK Socket Setscrew	6	
23	22029012	M12 Full Nut	6	
24	22052012	M12 spring Washer	6	
	57276M	Flat Share Assembly with Wear Strips		1600mm machine
25	57437	Centre Share Blade (3 hole)	5	
26	61281A	LH Share Blade (6 hole)	1	
27	61282A	RH Share Blade (6 hole)	1	
28	61283	LH Wear Strip	1	
29	61284	RH Wear Strip	1	
30	RPF134.112030	M12x30 CSK Socket Setscrew	6	
31	22029012	M12 Full Nut	6	
32	22052012	M12 spring Washer	6	

Machines from 2019

Share Assemblies

Item	Part No.	Description	Qty.	Remarks
	57276P	One-Piece Share Assembly		1700mm machine
33	68164LH	LH Share Blade	1	
34	68164RH	RH Share Blade	1	
35	68238	Wear Strip	2	
36	RPF134.112030	M12x30 CSK Socket Setscrew	6	
37	22029012	M12 Full Nut	6	
38	22052012	M12 spring Washer	6	
	57276E	One-Piece Share Assembly		1600mm machine
39	57350	One Piece Share Blade	1	
40				
41	68238	Wear Strip	2	
42	RPF134.112030	M12x30 CSK Socket Setscrew	6	
43	22029012	M12 Full Nut	6	
44	22052012	M12 spring Washer	6	
	57276F	One-Piece Share Assembly		1500mm machine
45	57351	One Piece Share Blade	1	
46				
47	68238	Wear Strip	2	
48	RPF134.112030	M12x30 CSK Socket Setscrew	6	
49	22029012	M12 Full Nut	6	
50	22052012	M12 spring Washer	6	



3.9a

STAR UNIPLUS SPARE PARTS

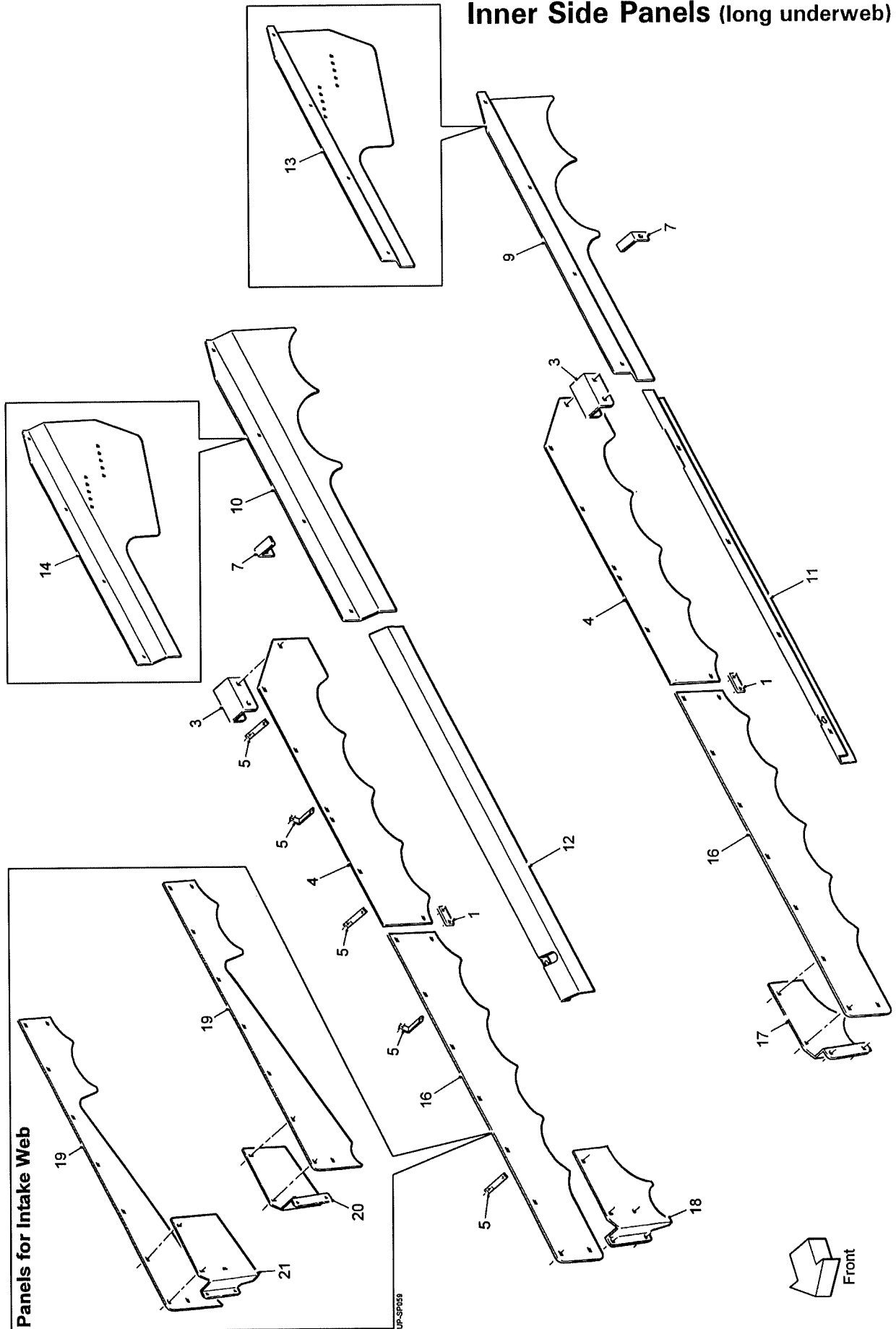
Machines from 2019

Star Assemblies

Item	Part No.	Description	Qty.	Remarks
1	57001	5 + 5 Finger Star (40mm wide)	a/r	
2	57203	5 + 5 Finger Star (30mm wide)	a/r	
3				
4	57329	10 Finger Star (40mm wide)	a/r	
5	57330	10 Finger Star (30mm wide)	a/r	
6				
7	57038	Plastic Spacer (5mm)	a/r	
8	57039	Steel Retaining Washer (2.6mm)	a/r	
9	57324	Plastic Spacer (25mm)	a/r	
10	57369	Steel End Disc	20	Qty x12 with intake web
11				
12				
13	61880	Spacer Ring (Ø160mm)	a/r	Used with short underweb
	57412	Spacer Ring (Ø250mm)	a/r	Optional
	57423	Spacer Ring (Ø200mm)	a/r	Optional
14				
15				
16	RPF200.060300	Ø60 External Circlip	20	Qty x12 with intake web

Machines from 2019

Inner Side Panels (long underweb)



3.12a

STAR UNIPLUS SPARE PARTS

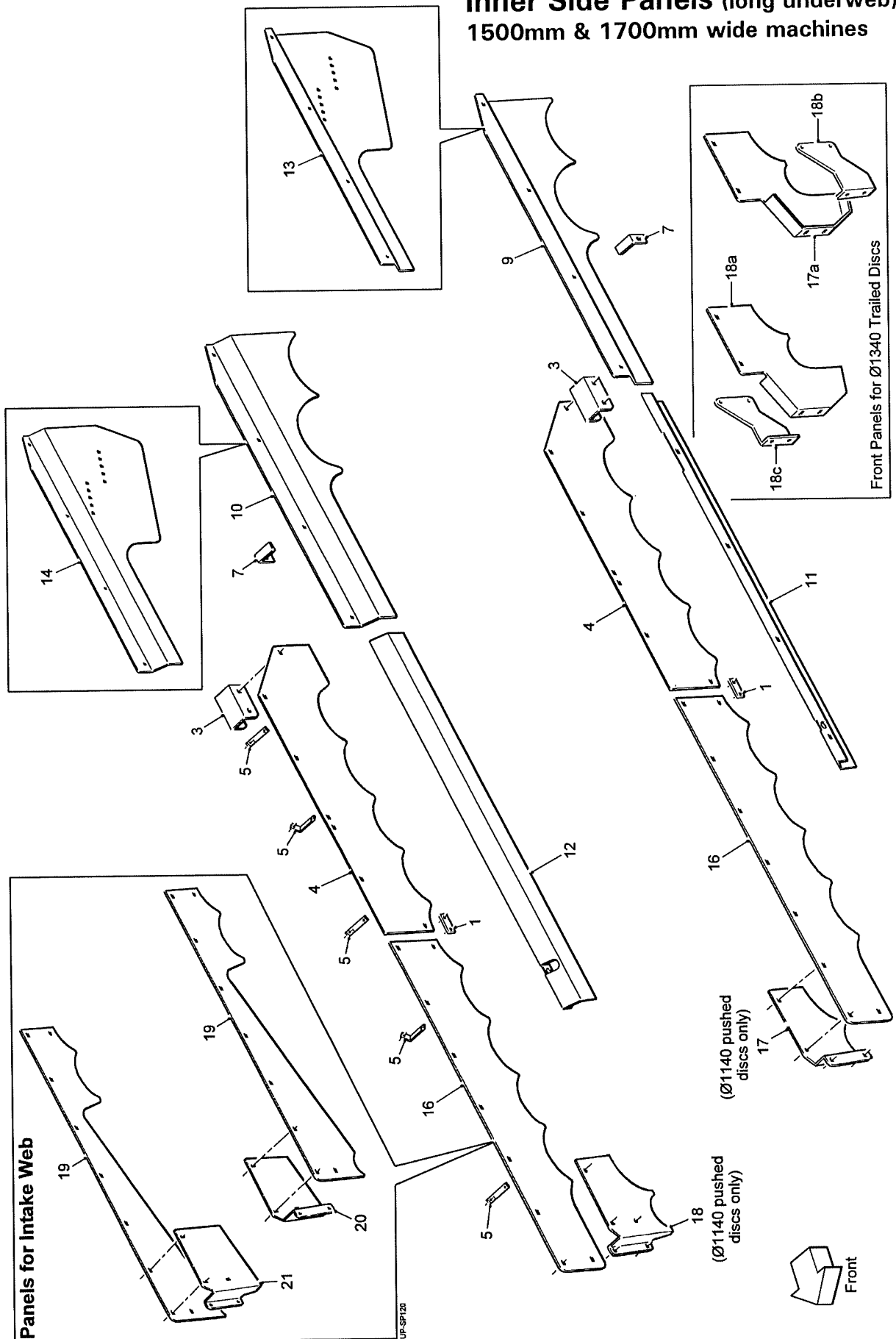
Machines from 2019

Inner Side Panels (long underweb)

Item	Part No.	Description	Qty.	Remarks
1	54013	Joining Strip	2	
2				
3	57319	Support Plate	2	
4	57370R	Rear Side Panel	2	
5	57639	Panel Support Bracket	8	
6				
7	68019	Side Panel Support	2	Used with boulder box stars
8				
9	61919	Side Panel LH	1	Used with boulder box stars
10	61920	Side Panel RH	1	Used with boulder box stars
11	61924A	Underweb Side Panel LH	1	
12	61925A	Underweb Side Panel RH	1	
13	61951	Side Panel LH	1	Used without boulder box
14	61952	Side Panel RH	1	Used without boulder box
15				
		<hr/>		
		Panels for Front Stars Consist Of:		
16	57370F	Front Side Panel	2	
17	57371	Front Panel LH	1	
18	57372	Front Panel RH	1	
		<hr/>		
		Panels for Intake Web Consist Of:		
19	57467	Front Side Panel	2	
20	57468A	Front Panel LH	1	
21	57469A	Front Panel RH	1	

Machines from 2020

Inner Side Panels (long underweb) 1500mm & 1700mm wide machines



Panels for Intake Web

19

20

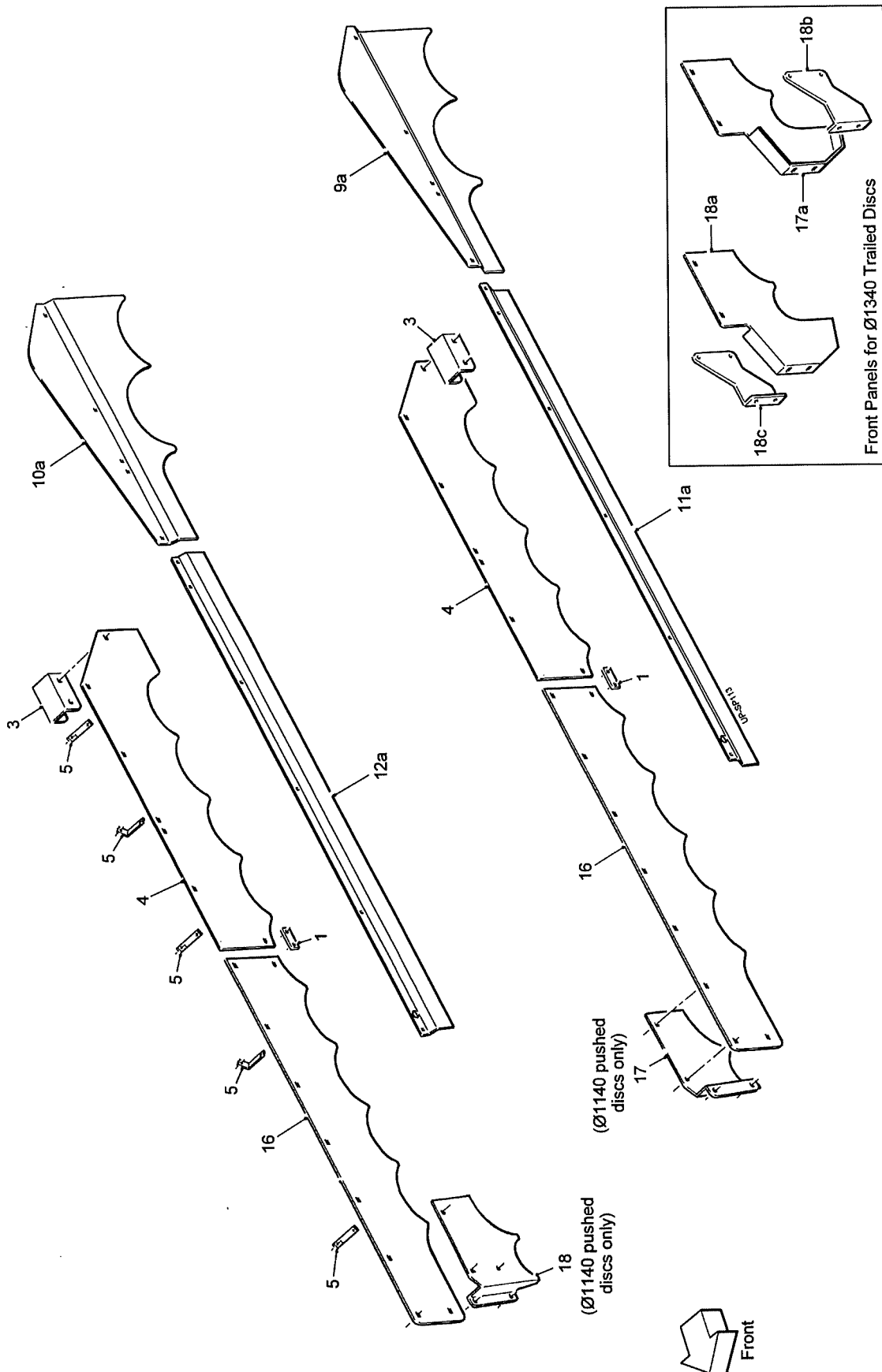
21

3.12a

STAR UNIPLUS SPARE PARTS

Machines from 2020

Inner Side Panels (long underweb)
1600mm wide machine



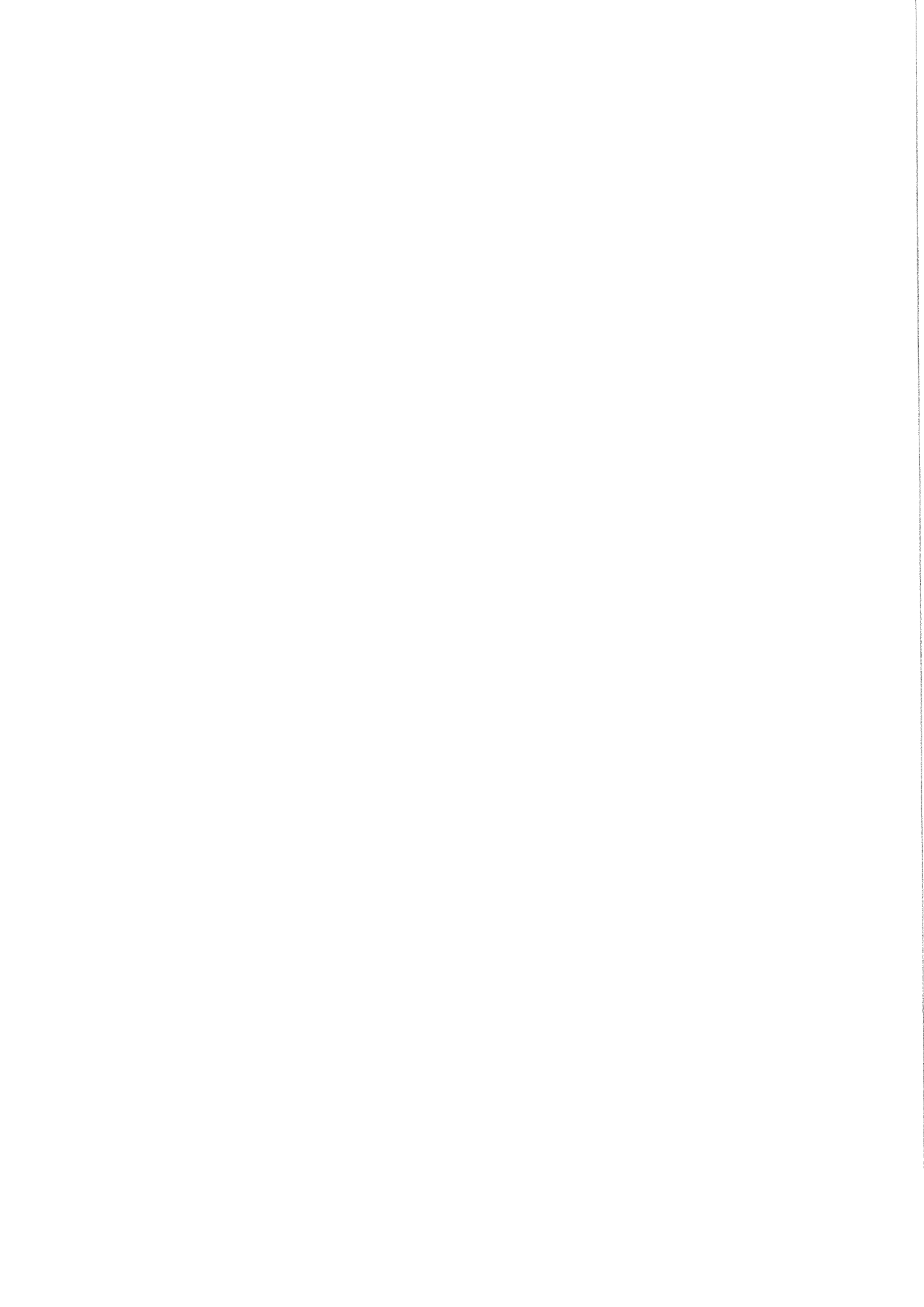
STAR UNIPLUS SPARE PARTS

3.12b

Machines from 2020

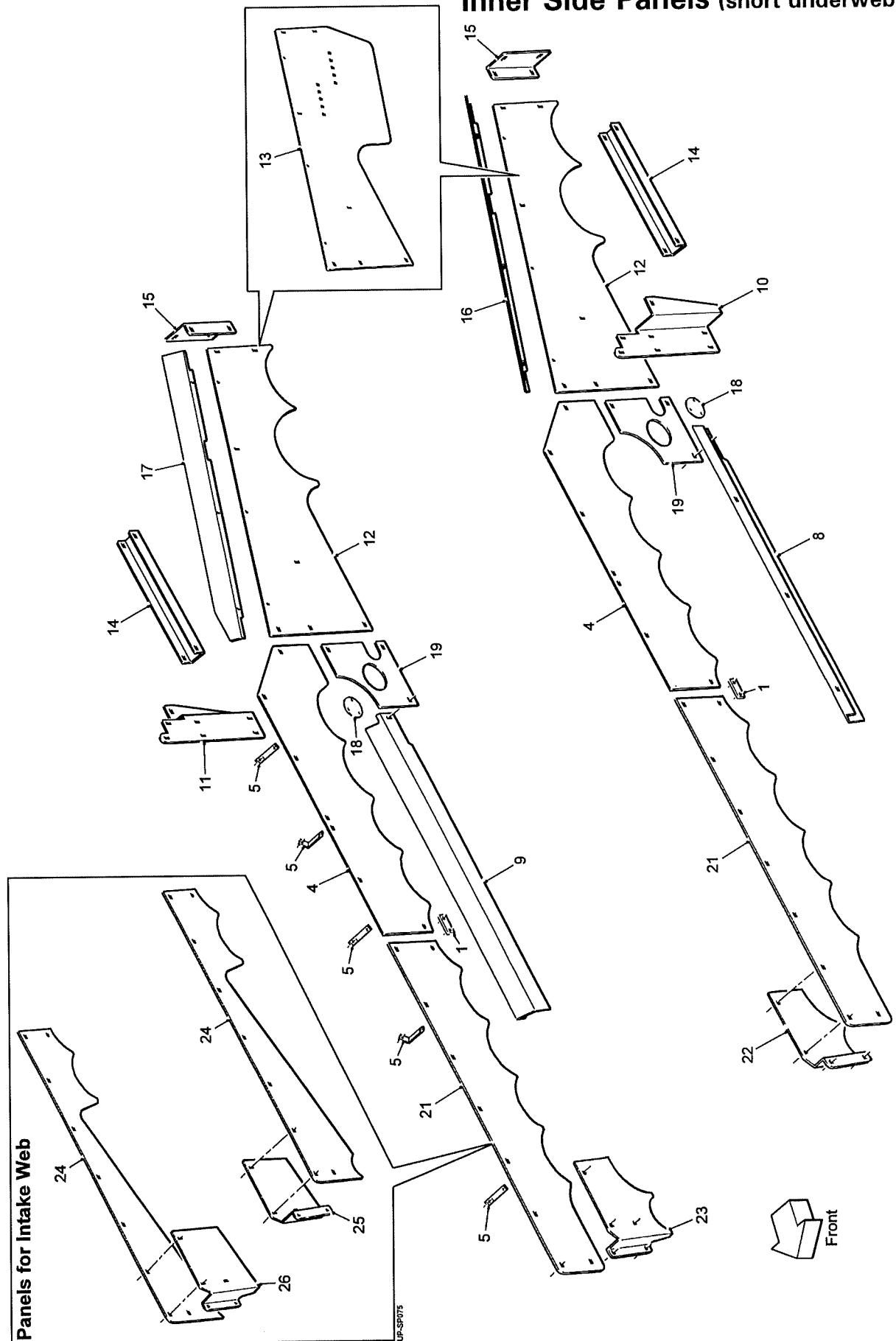
Inner Side Panels (long underweb)

Item	Part No.	Description	Qty.	Remarks
1	54013	Joining Strip	2	
2				
3	57319	Support Plate	2	
4	57370R	Rear Side Panel	2	
5	57639	Panel Support Bracket	10	
6				
7	68019	Side Panel Support	2	Used with boulder box stars
8				
9	68107	Side Panel LH (1500mm & 1700mm)	1	Used with boulder box stars
9a	57435	Side Panel LH (1600mm)	1	Used with boulder box stars
10	68108	Side Panel RH (1500mm & 1700mm)	1	Used with boulder box stars
10a	57436	Side Panel RH (1600mm)	1	Used with boulder box stars
11	61924A	Underweb Panel LH (1500mm & 1700mm)	1	
11a	57431	Underweb Panel LH (1600mm)	1	
12	61925A	Underweb Panel RH (1500mm & 1700mm)	1	
12a	57432	Underweb Panel RH (1600mm)	1	
13	61951	Side Panel LH	1	Used without boulder box
14	61952	Side Panel RH	1	Used without boulder box
15				
		<hr/>		
		Panels for Front Stars Consist Of:		
16	57370F	Front Side Panel	2	
17	57371	Front Panel LH	1	Used with Ø1140 pushed discs
17a	61701	Front Panel LH	1	Used with Ø1340 trailed discs
18	57372	Front Panel RH	1	Used with Ø1140 pushed discs
18a	61702	Front Panel RH	1	Used with Ø1340 trailed discs
18b	61815	Panel Support LH	1	Used with Ø1340 trailed discs
18c	61816	Panel Support RH	1	Used with Ø1340 trailed discs
		<hr/>		
		Panels for Intake Web Consist Of:		
19	57467	Front Side Panel	2	
20	57468A	Front Panel LH	1	
21	57469A	Front Panel RH	1	



Machines from 2019

Inner Side Panels (short underweb)



3.13a

STAR UNIPLUS SPARE PARTS

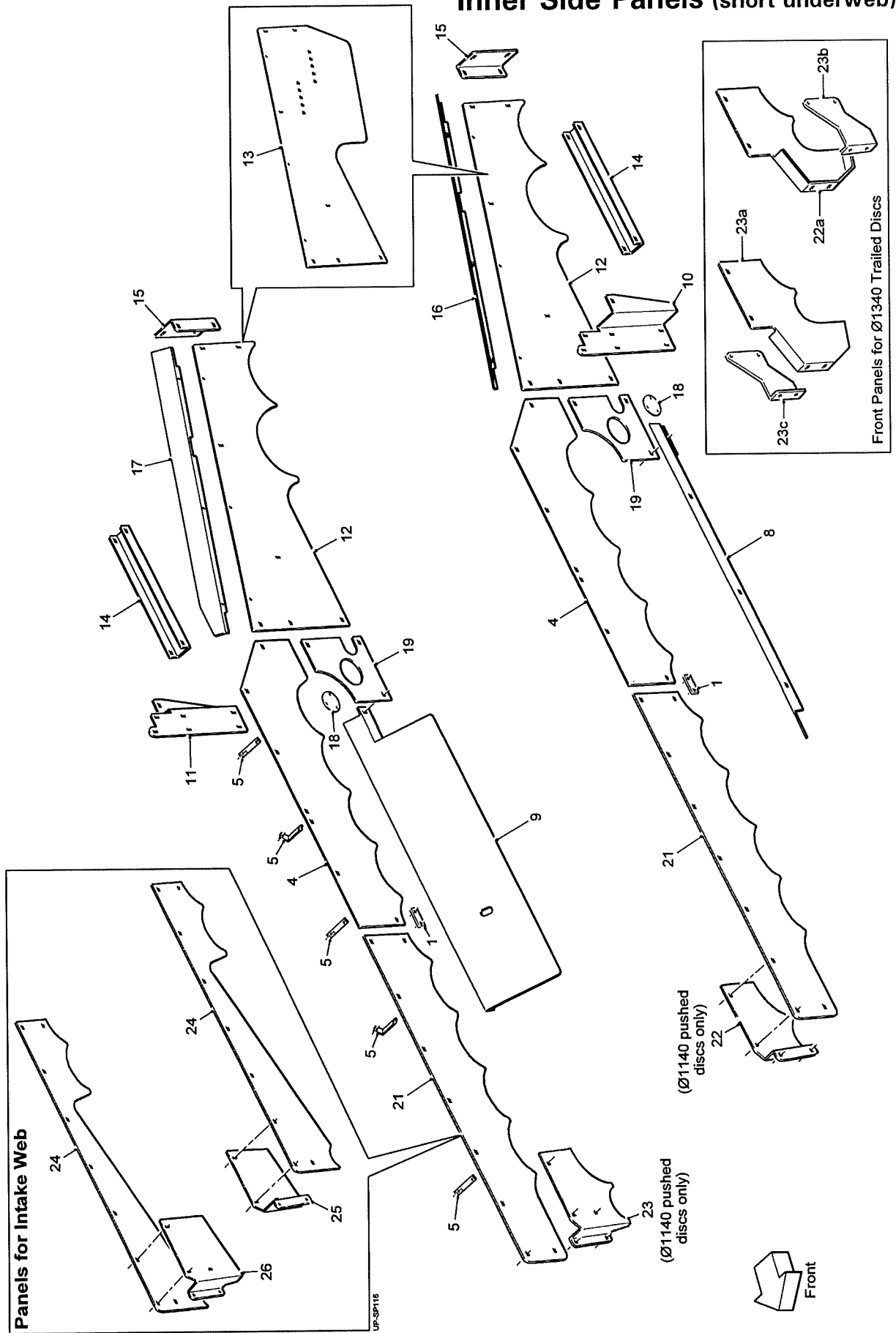
Machines from 2019

Inner Side Panels (short underweb)

Item	Part No.	Description	Qty.	Remarks
1	54013	Joining Strip	2	
2				
3				
4	57370R	Rear Side Panel	2	
5	57639	Panel Support Bracket	8	
6				
7				
8	68000	Side Panel LH	1	
9	68001	Side Panel RH	1	
10	68002	Side Panel Support LH	1	
11	68003	Side Panel Support RH	1	
12	68004	Rear Panel	2	Used with boulder box stars
13	68005	Rear Panel	2	Used without boulder box
14	68006	Intermediate Support	2	
15	68007	Rear Support	2	
16	68008	Infill Panel LH	1	
17	68009	Infill Panel RH	1	
18	68010	Blanking Plate	2	
19	61821	Side Panel	2	
20				
		Panels for Front Stars Consist Of:		
21	57370F	Front Side Panel	2	
22	57371	Front Panel LH	1	
23	57372	Front Panel RH	1	
		Panels for Intake Web Consist Of:		
24	57467	Front Side Panel	2	
25	57468A	Front Panel LH	1	
26	57469A	Front Panel RH	1	

Machines from 2020

Inner Side Panels (short underweb)



3.13a

STAR UNIPLUS SPARE PARTS

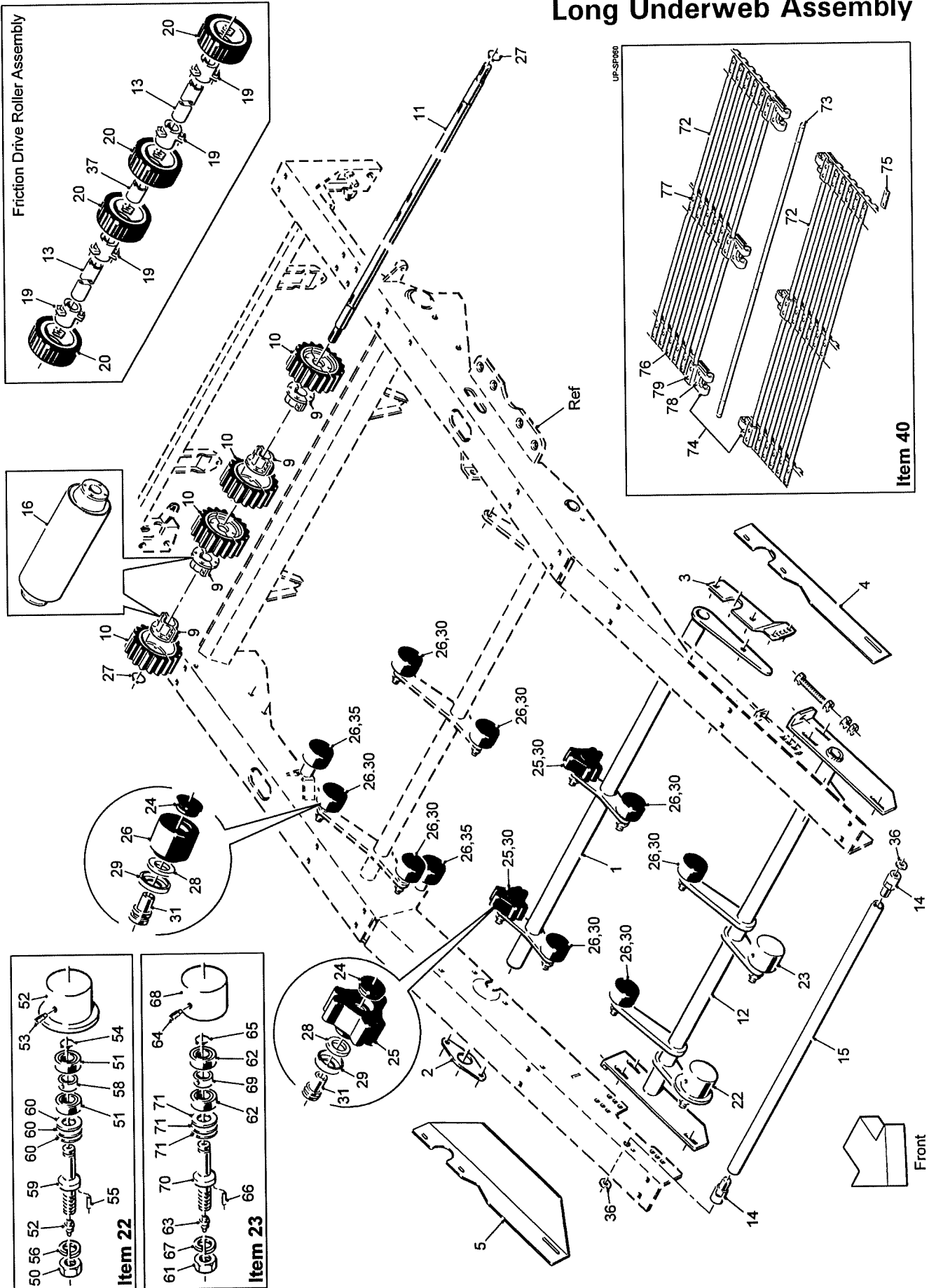
Machines from 2020

Inner Side Panels (short underweb)

Item	Part No.	Description	Qty.	Remarks
1	54013	Joining Strip	2	
2				
3				
4	57370R	Rear Side Panel	2	
5	57639	Panel Support Bracket	10	
6				
7				
8	68161	Soil Deflector Panel LH	1	
9	68162	Soil Deflector Panel RH	1	
10	68002	Side Panel Support LH	1	
11	68003	Side Panel Support RH	1	
12	68109	Rear Panel	2	Used with boulder box stars
13	68005	Rear Panel	2	Used without boulder box
14	68006	Intermediate Support	2	
15	68007	Rear Support	2	
16	68008	Infill Panel LH	1	
17	68009	Infill Panel RH	1	
18	68010	Blanking Plate	2	
19	61821	Side Panel	2	
20				
		Panels for Front Stars Consist Of:		
21	57370F	Front Side Panel	2	
22	57371	Front Panel LH	1	Used with Ø1140 pushed discs
22a	61701	Front Panel LH	1	Used with Ø1340 trailed discs
23	57372	Front Panel RH	1	Used with Ø1140 pushed discs
23a	61702	Front Panel RH	1	Used with Ø1340 trailed discs
23b	61815	Panel Support LH	1	Used with Ø1340 trailed discs
23c	61816	Panel Support RH	1	Used with Ø1340 trailed discs
		Panels for Intake Web Consist Of:		
24	57467	Front Side Panel	2	
25	57468A	Front Panel LH	1	
26	57469A	Front Panel RH	1	

Machines from 2019

Long Underweb Assembly



3.14a

STAR UNIPLUS SPARE PARTS

Machines from 2019

Long Underweb Assembly

Item	Part No.	Description	Qty.	Remarks
1	57168C	Agitator Frame (1700mm)	1	Manual front agitator only
	57168D	Agitator frame (1500mm)	1	Manual front agitator only
2	57172	End Plate	1	Manual front agitator only
3	57173	Agitator Adjuster Plate	1	Manual front agitator only
4	57552	Soil Deflector LH	1	
5	57553	Soil Deflector RH	1	
6				
7				
8				
9	61016	Drive Roller Hub	4	
10	61017/28/22	28mm Pitch Drive Roller	4	
	61017/32/18	32mm Pitch Drive Roller	4	
	61017/36/16	36mm Pitch Drive Roller	4	
	61017/40/16	40mm Pitch Drive Roller	4	
	61017/45/13	45mm Pitch Drive Roller	4	
	61017/50/12	50mm Pitch Drive Roller	4	
11	61368A	Drive Shaft (1700mm)	1	
	61368C	Drive Shaft (1500mm)	1	
12	61786A	Roller Frame Front (1700mm)	1	
	61786C	Roller Frame Front (1500mm)	1	
13	68057/1500	Spacer Tube (1500mm)	2	
	68057/1700	Spacer Tube (1700mm)	2	
14	61936	Mounting Boss	2	
15	61937/1500	Stone Bar (1500mm)	1	
	61937/1700	Stone Bar (1700mm)	1	
16	61972	Stone Barrel (32mm,36mm,45mm pitch)	2	Optional
17				
18				
19	RPGM006.00482	Friction Drive Roller Hub	4	
20	RPGM076.01022	Friction Drive Roller	4	
21				
22	RPA510.308681	Flanged Steel Roller Assembly	2	(see list at end)
23	RPA510.308684	Plain Steel Roller Assembly	1	(see list at end)
24	RPC620.303070	Cap	19	
25	RPC700.000808	Agitator Roller c/w Bearings	3	
26	RPC700.300147	Ø95 Roller c/w Bearings	16	
27	RPF200.050300	Ø50 External Circlip	2	
28	RPGM070.00446	Felt Seal	19	
29	RPGM089.00565	Roller Shield	19	
30	RPM176.306318	30mm Spacer	15	
31	RPM180.303071	Pivot Bush	19	
32				
33				
34				
35	SS040017/085	Steel Spacer	4	
36	SS050021/006	Steel Spacer	2	
37	SS060054/103	Steel Spacer	1	

STAR UNIPLUS SPARE PARTS

3.14b

Machines from 2019

Long Underweb Assembly

Item	Part No.	Description	Qty.	Remarks
38				
39				
40	61931/28	28mm Pitch Web Assembly	1	1500mm
	61931/32	32mm Pitch Web Assembly	1	1500mm
	61931/36	36mm Pitch Web Assembly	1	1500mm
	61931/40	40mm Pitch Web Assembly	1	1500mm
	61931/45	45mm Pitch Web Assembly	1	1500mm
	61931/50	50mm Pitch Web Assembly	1	1500mm
40	61932/28	28mm Pitch Web Assembly	1	1700mm
	61932/32	32mm Pitch Web Assembly	1	1700mm
	61932/36	36mm Pitch Web Assembly	1	1700mm
	61932/40	40mm Pitch Web Assembly	1	1700mm
	61932/45	45mm Pitch Web Assembly	1	1700mm
	61932/50	50mm Pitch Web Assembly	1	1700mm
41				
42				
43				
44				
45				
46				
47				
48				
49				
	RPA510.308681	Flanged Roller Assembly Consists Of:		
50	22029024	M24 Full Nut	1	
51	6205	Bearing	2	
52	RPC648.081250	M8 Grease Nipple	1	
53	RPF136.308016	M8x16 Dog Screw	1	
54	RPF200.025200	Ø25 External Circlip	1	
55	RPF222.060016	Ø6x16 Groove Pin	1	
56	RPF290.124000	M24 Shakeproof Washer	1	
57	RPGM001.00180	Flanged Steel Roller	1	
58	RPM176.307416	Spacer	1	
59	RPM180.307415	Spindle	1	
60	RPS210.002052	Metal Seal	3	
	RPA510.308684	Plain Roller Assembly Consists Of:		
61	22029024	M24 Full Nut	1	
62	6205	Bearing	2	
63	RPC648.081250	M8 Grease Nipple	1	
64	RPF136.308016	M8x16 Dog Screw	1	
65	RPF200.025200	Ø25 External Circlip	1	
66	RPF222.060016	Ø6x16 Groove Pin	1	
67	RPF290.124000	M24 Shakeproof Washer	1	
68	RPGM001.00059	Plain Steel Roller	1	
69	RPM176.307416	Spacer	1	
70	RPM180.307415	Spindle	1	
71	RPS210.002052	Metal Seal	3	

3.14c

STAR UNIPLUS SPARE PARTS

Machines from 2019

Long Underweb Assembly

Item	Part No.	Description	Qty.	Remarks
	61931/28	28mm Pitch Web Assembly		1500mm machine
		Consists Of:		
72	61334/1	Web Rod	214	
73	61334/2	Joining Rod	1	
74	61334/3/28	Joiner Complete	3	
75	47009N/35/7	Back Plate	642	
76	46847/3	Ø6x21 Rivet	856	
77	RPF240.160230	Ø6x23 Rivet	428	
78	RPF240.160280	Ø6x28 Rivet	12	
79	RPF240.160320	Ø6x32 Rivet	12	
	61931/32	32mm Pitch Web Assembly		1500mm machine
		Consists Of:		
72	61334/1	Web Rod	187	
73	61334/2	Joining Rod	1	
74	61334/3/32	Joiner Complete	3	
75	47009N/35/7	Back Plate	561	
76	46847/3	Ø6x21 Rivet	748	
77	RPF240.160230	Ø6x23 Rivet	374	
78	RPF240.160280	Ø6x28 Rivet	12	
79	RPF240.160320	Ø6x32 Rivet	12	
	61931/36	36mm Pitch Web Assembly		1500mm machine
		Consists Of:		
72	61334/1	Web Rod	166	
73	61334/2	Joining Rod	1	
74	61334/3/36	Joiner Complete	3	
75	47009N/35/7	Back Plate	498	
76	46847/3	Ø6x21 Rivet	664	
77	RPF240.160230	Ø6x23 Rivet	332	
78	RPF240.160280	Ø6x28 Rivet	12	
79	RPF240.160320	Ø6x32 Rivet	12	
	61931/40	40mm Pitch Web Assembly		1500mm machine
		Consists Of:		
72	61334/1	Web Rod	149	
73	61334/2	Joining Rod	1	
74	61334/3/40	Joiner Complete	3	
75	47009N/35/7	Back Plate	447	
76	46847/3	Ø6x21 Rivet	596	
77	RPF240.160230	Ø6x23 Rivet	298	
78	RPF240.160280	Ø6x28 Rivet	12	
79	RPF240.160320	Ø6x32 Rivet	12	
	61931/45	45mm Pitch Web Assembly		1500mm machine
		Consists Of:		
72	61334/1	Web Rod	133	
73	61334/2	Joining Rod	1	
74	61334/3/45	Joiner Complete	3	
75	47009N/35/7	Back Plate	399	
76	46847/3	Ø6x21 Rivet	532	
77	RPF240.160230	Ø6x23 Rivet	266	
78	RPF240.160280	Ø6x28 Rivet	12	
79	RPF240.160320	Ø6x32 Rivet	12	

Machines from 2019

Long Underweb Assembly

Item	Part No.	Description	Qty.	Remarks
	61931/50	50mm Pitch Web Assembly		1500mm machine
		Consists Of:		
72	61334/1	Web Rod	119	
73	61334/2	Joining Rod	1	
74	61334/3/50	Joiner Complete	3	
75	47009N/35/7	Back Plate	357	
76	46847/3	Ø6x21 Rivet	478	
77	RPF240.160230	Ø6x23 Rivet	239	
78	RPF240.160280	Ø6x28 Rivet	12	
79	RPF240.160320	Ø6x32 Rivet	12	
	61932/28	28mm Pitch Web Assembly		1700mm machine
		Consists Of:		
72	61540/1	Web Rod	214	
73	61540/2	Joining Rod	1	
74	61334/3/28	Joiner Complete	3	
75	47009N/35/7	Back Plate	642	
76	46847/3	Ø6x21 Rivet	854	
77	RPF240.160230	Ø6x23 Rivet	428	
78	RPF240.160280	Ø6x28 Rivet	12	
79	RPF240.160320	Ø6x32 Rivet	12	
	61932/32	32mm Pitch Web Assembly		1700mm machine
		Consists Of:		
72	61540/1	Web Rod	187	
73	61540/2	Joining Rod	1	
74	61334/3/32	Joiner Complete	3	
75	47009N/35/7	Back Plate	561	
76	46847/3	Ø6x21 Rivet	748	
77	RPF240.160230	Ø6x23 Rivet	374	
78	RPF240.160280	Ø6x28 Rivet	12	
79	RPF240.160320	Ø6x32 Rivet	12	
	61932/36	36mm Pitch Web Assembly		1700mm machine
		Consists Of:		
72	61540/1	Web Rod	166	
73	61540/2	Joining Rod	1	
74	61334/3/36	Joiner Complete	3	
75	47009N/35/7	Back Plate	498	
76	46847/3	Ø6x21 Rivet	664	
77	RPF240.160230	Ø6x23 Rivet	332	
78	RPF240.160280	Ø6x28 Rivet	12	
79	RPF240.160320	Ø6x32 Rivet	12	
	61932/40	40mm Pitch Web Assembly		1700mm machine
		Consists Of:		
72	61540/1	Web Rod	149	
73	61540/2	Joining Rod	1	
74	61334/3/40	Joiner Complete	3	
75	47009N/35/7	Back Plate	447	
76	46847/3	Ø6x21 Rivet	596	

3.14e

STAR UNIPLUS SPARE PARTS

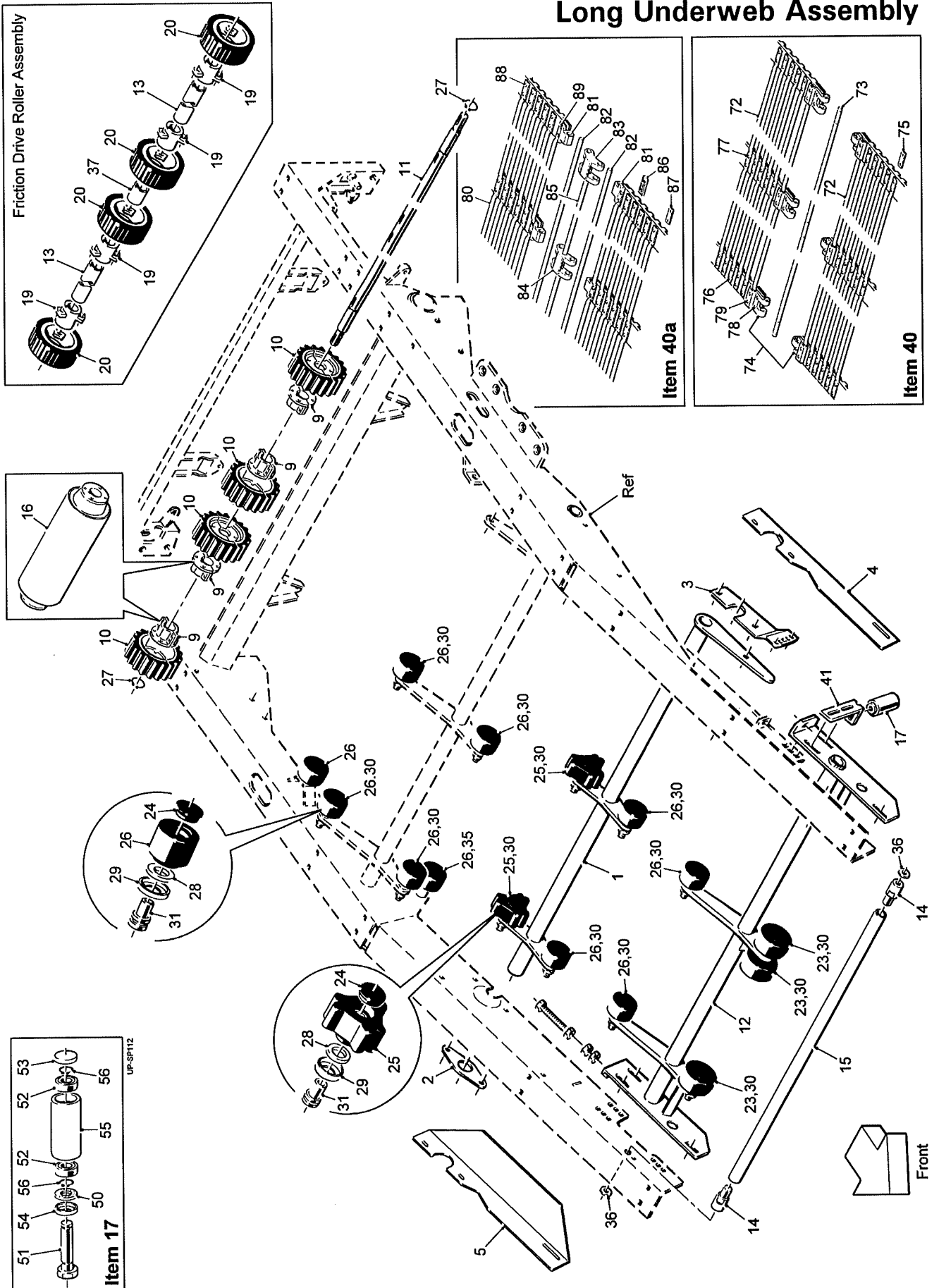
Machines from 2019

Long Underweb Assembly

Item	Part No.	Description	Qty.	Remarks
77	RPF240.160230	Ø6x23 Rivet	298	
78	RPF240.160280	Ø6x28 Rivet	12	
79	RPF240.160320	Ø6x32 Rivet	12	
	61932/45	45mm Pitch Web Assembly		1700mm machine
		Consists Of:		
72	61540/1	Web Rod	133	
73	61540/2	Joining Rod	1	
74	61334/3/45	Joiner Complete	3	
75	47009N/35/7	Back Plate	399	
76	46847/3	Ø6x21 Rivet	532	
77	RPF240.160230	Ø6x23 Rivet	266	
78	RPF240.160280	Ø6x28 Rivet	12	
79	RPF240.160320	Ø6x32 Rivet	12	
	61932/50	50mm Pitch Web Assembly		1700mm machine
		Consists Of:		
72	61540/1	Web Rod	119	
73	61540/2	Joining Rod	1	
74	61334/3/50	Joiner Complete	3	
75	47009N/35/7	Back Plate	357	
76	46847/3	Ø6x21 Rivet	476	
77	RPF240.160230	Ø6x23 Rivet	238	
78	RPF240.160280	Ø6x28 Rivet	12	
79	RPF240.160320	Ø6x32 Rivet	12	

Machines from 2020

Long Underweb Assembly



3.14a

STAR UNIPLUS SPARE PARTS

Machines from 2020

Long Underweb Assembly

Item	Part No.	Description	Qty.	Remarks
1	57168C	Agitator Frame (1700mm)	1	Manual front agitator only
	57168D	Agitator frame (1500mm)	1	Manual front agitator only
	57168	Agitator frame (1600mm)	1	Manual front agitator only
2	57172	End Plate	1	Manual front agitator only
3	57173	Agitator Adjuster Plate	1	Manual front agitator only
4	57552	Soil Deflector LH	1	
5	57553	Soil Deflector RH	1	
6				
7				
8				
9	61016	Drive Roller Hub	4	
10	61017/28/22	28mm Pitch Drive Roller	4	
	61017/32/18	32mm Pitch Drive Roller	4	
	61017/36/16	36mm Pitch Drive Roller	4	
	61017/40/16	40mm Pitch Drive Roller	4	
	61017/45/13	45mm Pitch Drive Roller	4	
	61017/50/12	50mm Pitch Drive Roller	4	
11	61368A	Drive Shaft (1700mm)	1	
	61368C	Drive Shaft (1500mm)	1	
	61368B	Drive Shaft (1600mm)	1	
12	57167C	Roller Frame Front (1700mm)	1	
	57167D	Roller Frame Front (1500mm)	1	
	57167	Roller Frame Front (1600mm)	1	
13	68057/1500	Spacer Tube (1500mm)	2	
	68057/1700	Spacer Tube (1700mm)	2	
	68057/1600	Spacer Tube (1600mm)	2	
14	61936	Mounting Boss	2	
15	61937/1500	Stone Bar (1500mm)	1	
	61937/1700	Stone Bar (1700mm)	1	
	61937/1600	Stone Bar (1600mm)	1	
16	61972	Stone Barrel (32mm,36mm,45mm pitch)	2	Optional
17	62906A	Roller Assembly	2	(see list at end)
18				
19	RPGM006.00482	Friction Drive Roller Hub	4	
20	RPGM076.01022	Friction Drive Roller	4	
21				
22				
23	57176A	Roller Assembly (rubber covered)	4	
24	RPC620.303070	Cap	19	
25	RPC700.000808	Agitator Roller c/w Bearings	3	
26	RPC700.300147	Ø95 Roller c/w Bearings	16	
27	RPF200.050300	Ø50 External Circlip	2	
28	RPGM070.00446	Felt Seal	19	
29	RPGM089.00565	Roller Shield	19	
30	RPM176.306318	30mm Spacer	19	
31	RPM180.303071	Pivot Bush	19	
32				

STAR UNIPLUS SPARE PARTS

3.14b

Machines from 2020

Long Underweb Assembly

Item	Part No.	Description	Qty.	Remarks
33				
34				
35	SS040017/085	Steel Spacer	2	
36	SS050021/006	Steel Spacer	2	
37	SS060054/103	Steel Spacer	1	
38				
39				
40	61931/28	28mm Pitch Web Assembly	1	1500mm
	61931/32	32mm Pitch Web Assembly	1	1500mm
	61931/36	36mm Pitch Web Assembly	1	1500mm
	61931/40	40mm Pitch Web Assembly	1	1500mm
	61931/45	45mm Pitch Web Assembly	1	1500mm
	61931/50	50mm Pitch Web Assembly	1	1500mm
40	61932/28	28mm Pitch Web Assembly	1	1700mm
	61932/32	32mm Pitch Web Assembly	1	1700mm
	61932/36	36mm Pitch Web Assembly	1	1700mm
	61932/40	40mm Pitch Web Assembly	1	1700mm
	61932/45	45mm Pitch Web Assembly	1	1700mm
	61932/50	50mm Pitch Web Assembly	1	1700mm
40a	57058/32	32mm Pitch Web Assembly	1	1600mm
41	68069	Web Tracking Bracket	2	
42				
43				
44				
45				
46				
47				
48				
49				
	62906A	Roller Assembly Consists Of:		
50	0000300504	Felt Seal	1	
51	11265C	Spindle	1	
52	60052RS	Bearing	2	
53	PH407	Seal	1	
54	PH408	Seal	1	
55	37056A	Ø60 Plain Roller	1	
56	PS843	Circlip	2	
	61931/28	28mm Pitch Web Assembly		1500mm machine
		Consists Of:		
72	61334/1	Web Rod	214	
73	61334/2	Joining Rod	1	
74	61334/3/28	Joiner Complete	3	
75	47009N/35/7	Back Plate	642	
76	46847/3	Ø6x21 Rivet	856	
77	RPF240.160230	Ø6x23 Rivet	428	
78	RPF240.160280	Ø6x28 Rivet	12	
79	RPF240.160320	Ø6x32 Rivet	12	

3.14c

STAR UNIPLUS SPARE PARTS

Machines from 2020

Long Underweb Assembly

Item	Part No.	Description	Qty.	Remarks
	61931/32	32mm Pitch Web Assembly		1500mm machine
		Consists Of:		
72	61334/1	Web Rod	187	
73	61334/2	Joining Rod	1	
74	61334/3/32	Joiner Complete	3	
75	47009N/35/7	Back Plate	561	
76	46847/3	Ø6x21 Rivet	748	
77	RPF240.160230	Ø6x23 Rivet	374	
78	RPF240.160280	Ø6x28 Rivet	12	
79	RPF240.160320	Ø6x32 Rivet	12	
	61931/36	36mm Pitch Web Assembly		1500mm machine
		Consists Of:		
72	61334/1	Web Rod	166	
73	61334/2	Joining Rod	1	
74	61334/3/36	Joiner Complete	3	
75	47009N/35/7	Back Plate	498	
76	46847/3	Ø6x21 Rivet	664	
77	RPF240.160230	Ø6x23 Rivet	332	
78	RPF240.160280	Ø6x28 Rivet	12	
79	RPF240.160320	Ø6x32 Rivet	12	
	61931/40	40mm Pitch Web Assembly		1500mm machine
		Consists Of:		
72	61334/1	Web Rod	149	
73	61334/2	Joining Rod	1	
74	61334/3/40	Joiner Complete	3	
75	47009N/35/7	Back Plate	447	
76	46847/3	Ø6x21 Rivet	596	
77	RPF240.160230	Ø6x23 Rivet	298	
78	RPF240.160280	Ø6x28 Rivet	12	
79	RPF240.160320	Ø6x32 Rivet	12	
	61931/45	45mm Pitch Web Assembly		1500mm machine
		Consists Of:		
72	61334/1	Web Rod	133	
73	61334/2	Joining Rod	1	
74	61334/3/45	Joiner Complete	3	
75	47009N/35/7	Back Plate	399	
76	46847/3	Ø6x21 Rivet	532	
77	RPF240.160230	Ø6x23 Rivet	266	
78	RPF240.160280	Ø6x28 Rivet	12	
79	RPF240.160320	Ø6x32 Rivet	12	
	61931/50	50mm Pitch Web Assembly		1500mm machine
		Consists Of:		
72	61334/1	Web Rod	119	
73	61334/2	Joining Rod	1	
74	61334/3/50	Joiner Complete	3	
75	47009N/35/7	Back Plate	357	
76	46847/3	Ø6x21 Rivet	478	
77	RPF240.160230	Ø6x23 Rivet	239	
78	RPF240.160280	Ø6x28 Rivet	12	
79	RPF240.160320	Ø6x32 Rivet	12	

Machines from 2020

Long Underweb Assembly

Item	Part No.	Description	Qty.	Remarks
	61932/28	28mm Pitch Web Assembly		1700mm machine
		Consists Of:		
72	61540/1	Web Rod	214	
73	61540/2	Joining Rod	1	
74	61334/3/28	Joiner Complete	3	
75	47009N/35/7	Back Plate	642	
76	46847/3	Ø6x21 Rivet	854	
77	RPF240.160230	Ø6x23 Rivet	428	
78	RPF240.160280	Ø6x28 Rivet	12	
79	RPF240.160320	Ø6x32 Rivet	12	
	61932/32	32mm Pitch Web Assembly		1700mm machine
		Consists Of:		
72	61540/1	Web Rod	187	
73	61540/2	Joining Rod	1	
74	61334/3/32	Joiner Complete	3	
75	47009N/35/7	Back Plate	561	
76	46847/3	Ø6x21 Rivet	748	
77	RPF240.160230	Ø6x23 Rivet	374	
78	RPF240.160280	Ø6x28 Rivet	12	
79	RPF240.160320	Ø6x32 Rivet	12	
	61932/36	36mm Pitch Web Assembly		1700mm machine
		Consists Of:		
72	61540/1	Web Rod	166	
73	61540/2	Joining Rod	1	
74	61334/3/36	Joiner Complete	3	
75	47009N/35/7	Back Plate	498	
76	46847/3	Ø6x21 Rivet	664	
77	RPF240.160230	Ø6x23 Rivet	332	
78	RPF240.160280	Ø6x28 Rivet	12	
79	RPF240.160320	Ø6x32 Rivet	12	
	61932/40	40mm Pitch Web Assembly		1700mm machine
		Consists Of:		
72	61540/1	Web Rod	149	
73	61540/2	Joining Rod	1	
74	61334/3/40	Joiner Complete	3	
75	47009N/35/7	Back Plate	447	
76	46847/3	Ø6x21 Rivet	596	
77	RPF240.160230	Ø6x23 Rivet	298	
78	RPF240.160280	Ø6x28 Rivet	12	
79	RPF240.160320	Ø6x32 Rivet	12	
	61932/45	45mm Pitch Web Assembly		1700mm machine
		Consists Of:		
72	61540/1	Web Rod	133	
73	61540/2	Joining Rod	1	
74	61334/3/45	Joiner Complete	3	
75	47009N/35/7	Back Plate	399	
76	46847/3	Ø6x21 Rivet	532	
77	RPF240.160230	Ø6x23 Rivet	266	
78	RPF240.160280	Ø6x28 Rivet	12	
79	RPF240.160320	Ø6x32 Rivet	12	

3.14e**STAR UNIPLUS SPARE PARTS**

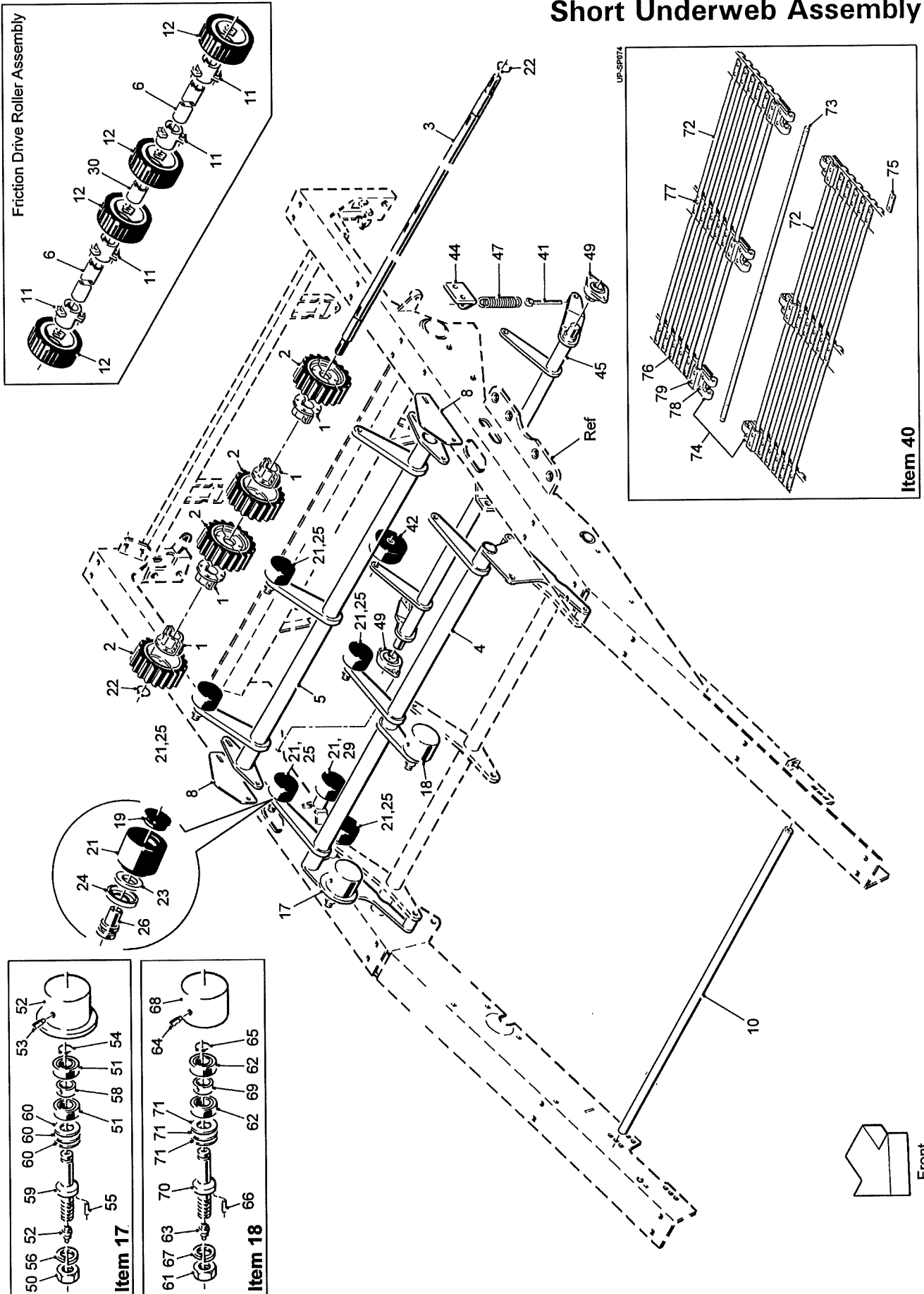
Machines from 2020

Long Underweb Assembly

Item	Part No.	Description	Qty.	Remarks
	61932/50	50mm Pitch Web Assembly		1700mm machine
		Consists Of:		
72	61540/1	Web Rod	119	
73	61540/2	Joining Rod	1	
74	61334/3/50	Joiner Complete	3	
75	47009N/35/7	Back Plate	357	
76	46847/3	Ø6x21 Rivet	476	
77	RPF240.160230	Ø6x23 Rivet	238	
78	RPF240.160280	Ø6x28 Rivet	12	
79	RPF240.160320	Ø6x32 Rivet	12	
	57058/32	32mm Pitch Web Assembly		1600mm machine
		Consists Of:		
80	57058/1	Ø11 Web Rod	183	
81	57058/32/1HD	32mm Pitch Male Joiners & Web Rod	2	c/w clamp plates & screws
82	57058/36/2HD	Joiner Rod (Ø11x1683)	2	
83	57456/32/2	32mm Pitch Outer Joining Lock	2	
84	57456/32/2A	32mm Pitch Inner Joining Lock	1	
85	57058/32/2HD	Centre Joiner Rod (Ø11x1653)	1	
86	57456/28/3	Tapped Clamp Plate (2 hole)	6	
87	56155/5	Clamp Plate (2 holes)	549	
88	RPF240.160250	Ø6x25 Rivet	1098	
89	22016006/020	M6x20 CSK Setscrew	12	

Machines from 2019

Short Underweb Assembly



3.15a

STAR UNIPLUS SPARE PARTS

Machines from 2019

Short Underweb Assembly

Item	Part No.	Description	Qty.	Remarks
1	61016	Drive Roller Hub	4	
2	61017/28/22	28mm Pitch Drive Roller	4	
	61017/32/18	32mm Pitch Drive Roller	4	
	61017/36/16	36mm Pitch Drive Roller	4	
	61017/40/16	40mm Pitch Drive Roller	4	
	61017/45/13	45mm Pitch Drive Roller	4	
	61017/50/12	50mm Pitch Drive Roller	4	
3	61368A	Drive Shaft (1700mm)	1	
	61368C	Drive Shaft (1500mm)	1	
4	61819/1500	Roller Frame Front (1500mm)	1	
	61819/1700	Roller Frame Front (1700mm)	1	
5	61820/1500	Roller Support (1500mm)	1	
	61820/1700	Roller Support (1700mm)	1	
6	68057/1500	Spacer Tube (1500mm)	2	
	68057/1700	Spacer Tube (1700mm)	2	
7				
8	68043	Blanking Plate	2	
9				
10	68012	Tie Bar (1500mm)	1	
	68012A	Tie Bar (1700mm)	1	
11	RPGM006.00482	Friction Drive Roller Hub	4	
12	RPGM076.01022	Friction Drive Roller	4	
13				
14				
15				
16				
17	RPA510.308681	Flanged Steel Roller Assembly	2	(see list at end)
18	RPA510.308684	Plain Steel Roller Assembly	1	(see list at end)
19	RPC620.303070	Cap	10	
20				
21	RPC700.300147	Ø95 Roller c/w Bearings	10	
22	RPF200.050300	Ø50 External Circlip	2	
23	RPGM070.00446	Felt Seal	10	
24	RPGM089.00565	Roller Shield	10	
25	RPM176.306318	30mm Spacer	8	
26	RPM180.303071	Pivot Bush	10	
27				
28				
29	SS040017/085	Steel Spacer	2	
30	SS060054/103	Steel Spacer	1	
31				
32				
33				
34				
35				
36				
37				
38				

Machines from 2019

Short Underweb Assembly

Item	Part No.	Description	Qty.	Remarks
39				
40	68041/28	28mm Pitch Web Assembly	1	1500mm
	68041/32	32mm Pitch Web Assembly	1	1500mm
	68041/36	36mm Pitch Web Assembly	1	1500mm
	68041/40	40mm Pitch Web Assembly	1	1500mm
	68041/45	45mm Pitch Web Assembly	1	1500mm
	68041/50	50mm Pitch Web Assembly	1	1500mm
40	68042/28	28mm Pitch Web Assembly	1	1700mm
	68042/32	32mm Pitch Web Assembly	1	1700mm
	68042/36	36mm Pitch Web Assembly	1	1700mm
	68042/40	40mm Pitch Web Assembly	1	1700mm
	68042/45	45mm Pitch Web Assembly	1	1700mm
	68042/50	50mm Pitch Web Assembly	1	1700mm
41	DW821965	M16 Eye Bolt	2	
42	57176	Roller Assembly	2	
43				
44	68035	Adjuster Bracket	2	
45	68039/1500	Tension Roller Frame (1500mm)	1	
	68039/1700	Tension Roller Frame (1700mm)	1	
46				
47	11648	Tension Spring	2	
48				
49	SFT25	Bearing	2	
	RPA510.308681	Flanged Roller Assembly Consists Of:		
50	22029024	M24 Full Nut	1	
51	6205	Bearing	2	
52	RPC648.081250	M8 Grease Nipple	1	
53	RPF136.308016	M8x16 Dog Screw	1	
54	RPF200.025200	Ø25 External Circlip	1	
55	RPF222.060016	Ø6x16 Groove Pin	1	
56	RPF290.124000	M24 Shakeproof Washer	1	
57	RPGM001.00180	Flanged Steel Roller	1	
58	RPM176.307416	Spacer	1	
59	RPM180.307415	Spindle	1	
60	RPS210.002052	Metal Seal	3	
	RPA510.308681	Plain Roller Assembly Consists Of:		
61	22029024	M24 Full Nut	1	
62	6205	Bearing	2	
63	RPC648.081250	M8 Grease Nipple	1	
64	RPF136.308016	M8x16 Dog Screw	1	
65	RPF200.025200	Ø25 External Circlip	1	
66	RPF222.060016	Ø6x16 Groove Pin	1	
67	RPF290.124000	M24 Shakeproof Washer	1	
68	RPGM001.00059	Plain Steel Roller	1	
69	RPM176.307416	Spacer	1	
70	RPM180.307415	Spindle	1	
71	RPS210.002052	Metal Seal	3	

3.15c

STAR UNIPLUS SPARE PARTS

Machines from 2019

Short Underweb Assembly

Item	Part No.	Description	Qty.	Remarks
	68041/28	28mm Pitch Web Assembly		1500mm machine
		Consists Of:		
72	61334/1	Web Rod	101	
73	61334/2	Joining Rod	1	
74	61334/3/28	Joiner Complete	3	
75	47009N/35/7	Back Plate	303	
76	46847/3	Ø6x21 Rivet	404	
77	RPF240.160230	Ø6x23 Rivet	202	
78	RPF240.160280	Ø6x28 Rivet	12	
79	RPF240.160320	Ø6x32 Rivet	12	
	68041/32	32mm Pitch Web Assembly		1500mm machine
		Consists Of:		
72	61334/1	Web Rod	88	
73	61334/2	Joining Rod	1	
74	61334/3/32	Joiner Complete	3	
75	47009N/35/7	Back Plate	264	
76	46847/3	Ø6x21 Rivet	352	
77	RPF240.160230	Ø6x23 Rivet	176	
78	RPF240.160280	Ø6x28 Rivet	12	
79	RPF240.160320	Ø6x32 Rivet	12	
	68041/36	36mm Pitch Web Assembly		1500mm machine
		Consists Of:		
72	61334/1	Web Rod	78	
73	61334/2	Joining Rod	1	
74	61334/3/36	Joiner Complete	3	
75	47009N/35/7	Back Plate	234	
76	46847/3	Ø6x21 Rivet	312	
77	RPF240.160230	Ø6x23 Rivet	156	
78	RPF240.160280	Ø6x28 Rivet	12	
79	RPF240.160320	Ø6x32 Rivet	12	
	68041/40	40mm Pitch Web Assembly		1500mm machine
		Consists Of:		
72	61334/1	Web Rod	70	
73	61334/2	Joining Rod	1	
74	61334/3/40	Joiner Complete	3	
75	47009N/35/7	Back Plate	210	
76	46847/3	Ø6x21 Rivet	280	
77	RPF240.160230	Ø6x23 Rivet	140	
78	RPF240.160280	Ø6x28 Rivet	12	
79	RPF240.160320	Ø6x32 Rivet	12	
	68041/45	45mm Pitch Web Assembly		1500mm machine
		Consists Of:		
72	61334/1	Web Rod	62	
73	61334/2	Joining Rod	1	
74	61334/3/45	Joiner Complete	3	
75	47009N/35/7	Back Plate	186	
76	46847/3	Ø6x21 Rivet	248	
77	RPF240.160230	Ø6x23 Rivet	124	
78	RPF240.160280	Ø6x28 Rivet	12	
79	RPF240.160320	Ø6x32 Rivet	12	

Machines from 2019

Short Underweb Assembly

Item	Part No.	Description	Qty.	Remarks
	68041/50	50mm Pitch Web Assembly		1500mm machine
		Consists Of:		
72	61334/1	Web Rod	56	
73	61334/2	Joining Rod	1	
74	61334/3/50	Joiner Complete	3	
75	47009N/35/7	Back Plate	168	
76	46847/3	Ø6x21 Rivet	224	
77	RPF240.160230	Ø6x23 Rivet	112	
78	RPF240.160280	Ø6x28 Rivet	12	
79	RPF240.160320	Ø6x32 Rivet	12	
	68042/28	28mm Pitch Web Assembly		1700mm machine
		Consists Of:		
72	61540/1	Web Rod	101	
73	61540/2	Joining Rod	1	
74	61334/3/28	Joiner Complete	3	
75	47009N/35/7	Back Plate	303	
76	46847/3	Ø6x21 Rivet	404	
77	RPF240.160230	Ø6x23 Rivet	202	
78	RPF240.160280	Ø6x28 Rivet	12	
79	RPF240.160320	Ø6x32 Rivet	12	
	68042/32	32mm Pitch Web Assembly		1700mm machine
		Consists Of:		
72	61540/1	Web Rod	88	
73	61540/2	Joining Rod	1	
74	61334/3/32	Joiner Complete	3	
75	47009N/35/7	Back Plate	264	
76	46847/3	Ø6x21 Rivet	352	
77	RPF240.160230	Ø6x23 Rivet	176	
78	RPF240.160280	Ø6x28 Rivet	12	
79	RPF240.160320	Ø6x32 Rivet	12	
	68042/36	36mm Pitch Web Assembly		1700mm machine
		Consists Of:		
72	61540/1	Web Rod	78	
73	61540/2	Joining Rod	1	
74	61334/3/36	Joiner Complete	3	
75	47009N/35/7	Back Plate	234	
76	46847/3	Ø6x21 Rivet	312	
77	RPF240.160230	Ø6x23 Rivet	156	
78	RPF240.160280	Ø6x28 Rivet	12	
79	RPF240.160320	Ø6x32 Rivet	12	
	68042/40	40mm Pitch Web Assembly		1700mm machine
		Consists Of:		
72	61540/1	Web Rod	70	
73	61540/2	Joining Rod	1	
74	61334/3/40	Joiner Complete	3	
75	47009N/35/7	Back Plate	210	
76	46847/3	Ø6x21 Rivet	280	

3.15e

STAR UNIPLUS SPARE PARTS

Machines from 2019

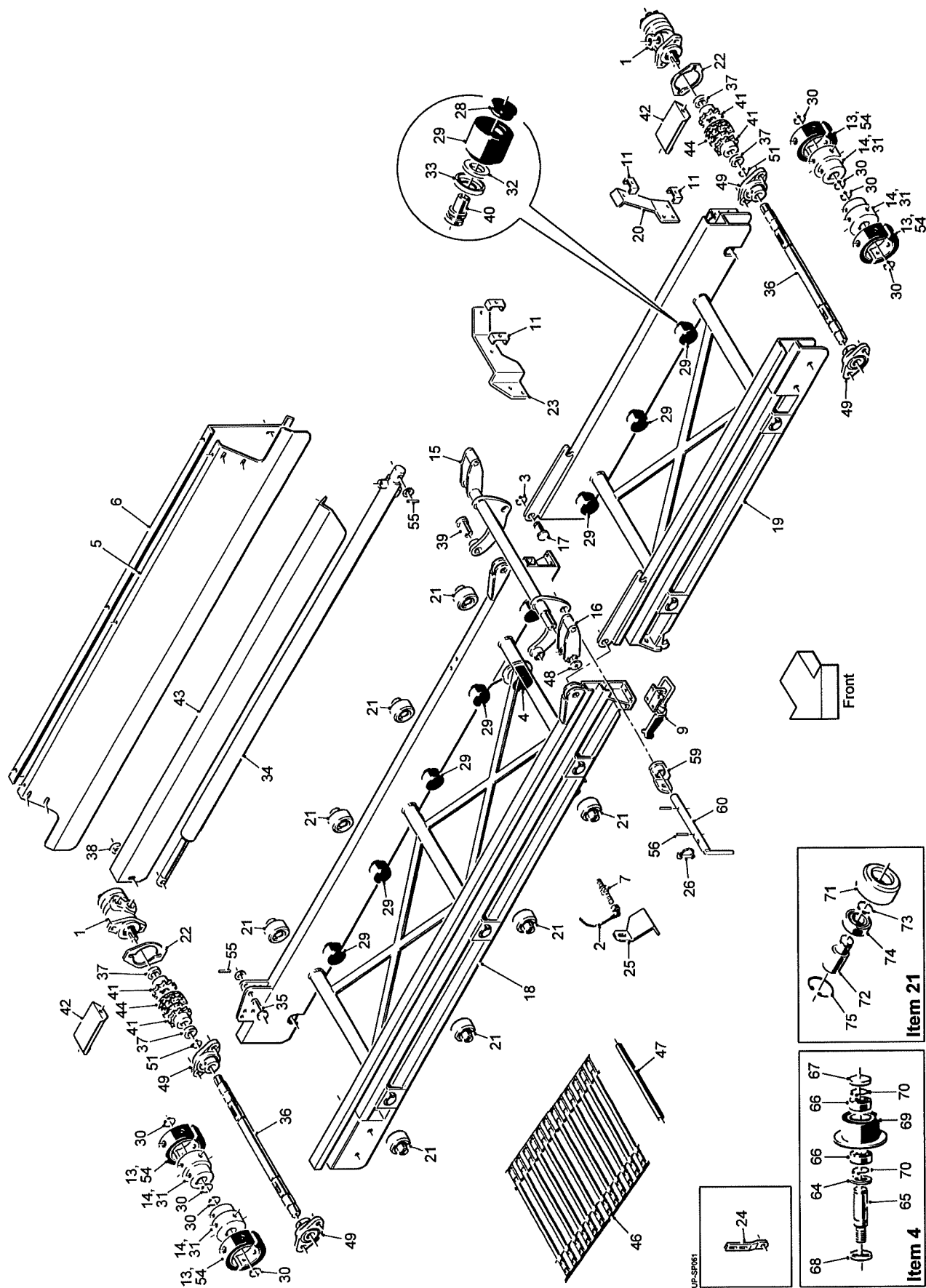
Short Underweb Assembly

Item	Part No.	Description	Qty.	Remarks
77	RPF240.160230	Ø6x23 Rivet	140	
78	RPF240.160280	Ø6x28 Rivet	12	
79	RPF240.160320	Ø6x32 Rivet	12	
	68042/45	45mm Pitch Web Assembly		1700mm machine
		Consists Of:		
72	61540/1	Web Rod	62	
73	61540/2	Joining Rod	1	
74	61334/3/45	Joiner Complete	3	
75	47009N/35/7	Back Plate	186	
76	46847/3	Ø6x21 Rivet	248	
77	RPF240.160230	Ø6x23 Rivet	124	
78	RPF240.160280	Ø6x28 Rivet	12	
79	RPF240.160320	Ø6x32 Rivet	12	
	68042/50	50mm Pitch Web Assembly		1700mm machine
		Consists Of:		
72	61540/1	Web Rod	56	
73	61540/2	Joining Rod	1	
74	61334/3/50	Joiner Complete	3	
75	47009N/35/7	Back Plate	168	
76	46847/3	Ø6x21 Rivet	224	
77	RPF240.160230	Ø6x23 Rivet	112	
78	RPF240.160280	Ø6x28 Rivet	12	
79	RPF240.160320	Ø6x32 Rivet	12	

Machines from 2019

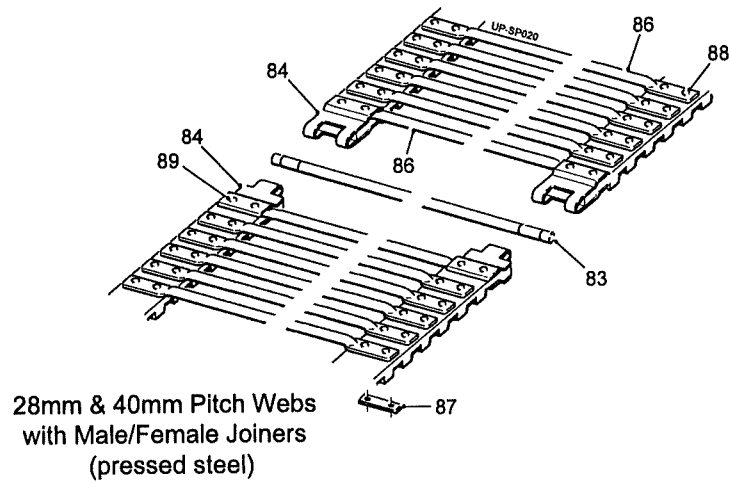
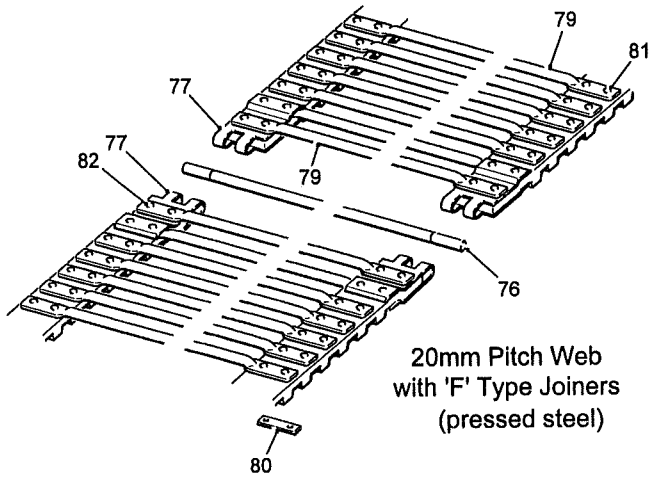
Cross Conveyor Assembly

Assy No 61976



Machines from 2019

Cross Conveyor Assembly
Assy No 61976



STAR UNIPLUS SPARE PARTS

3.16b

Machines from 2019

Cross Conveyor Assembly

Assy No 61976

Item	Part No.	Description	Qty.	Remarks
1	11201	Hydraulic Motor	2	
2	32037/2	90° Sensor Cable (5m)	1	
3	12298	Ø20 External Circlip	2	
4	12506	Flanged Roler Assembly	2	(see list at end)
5	57560A	Rear Panel (1700mm)	1	
	57560B	Rear Panel (1500mm)	1	
	57560	Rear Panel (1600mm)	1	
6	57561A	Ram Shield (1700mm)	1	
	57561B	Ram Shield (1500mm)	1	
	57561	Ram Shield (1600mm)	1	
7	41504	Proximity Sensor	1	
8				
9	58115	Latch Clamp	2	
10				
11	59295	Pipe Clamp	4	
12				
13	61035	Drive Shoe Half	8	
14	61036	Drive Hub	4	
15	61933A	Latch Frame	1	┌ Replaces 61933
16	68137	Adjustable Hook Point	1	└
17	61935	Conveyor Pivot Pin	2	
18	61938	Conveyor Main Section	1	
19	61939	Conveyor End Section	1	
20	61962	Pipe Support Bracket	1	
21	61985	Steel Roller Assembly	8	(see list at end)
22	62832A	Motor Spacer	2	
23	68028	Hose Retainer	1	
24	68033	Sensor Mounting	1	Used prior to 2021 only
25	68182	Sensor Shield	1	
26	10282	Linchpin	1	
27				
28	RPC620.303070	Cap	16	
29	RPC700.300148	Ø75 Plain Roller c/w Bearings	16	
30	RPF200.035250	Ø35 External Circlip	8	
31	RPF210.088040	8x8x40 RBE Key	4	
32	RPGM070.00446	Felt Seal	16	
33	RPGM089.00565	Roller Shield	16	
34	RPH871.303039	Hydraulic Ram	1	
35	RPM146.303066	Pin	1	
36	RPM162.304844	Drive Shaft	2	
37	RPM176.303034	Spacer (5mm)	4	
38	RPM176.303064	Spacer	1	
39	RPM178.307356	Spigot	2	
40	RPM180.303071	Pivot Bush	16	
41	RPM182.303035	12T 3/4"Pitch Sprocket	4	
42	RPM206.304847	Cover	2	
43	RPM224.304848	Ram Shield	1	
44	RPT738.600012	3/4"Pitch Duplex Chain	2	
45				
46	RPW300.303144A	20mm Pitch Web Assembly	1	(see list at end)
	RPW300.303144	28mm Pitch Web Assembly	1	(see list at end)
	RPW300.303145	40mm Pitch Web Assembly	1	(see list at end)
47	RPA580.303229	28mm Pitch Web Bar Cover Kit	1	Optional

3.16c

STAR UNIPLUS SPARE PARTS

Machines from 2019

Cross Conveyor Assembly

Assy No 61976

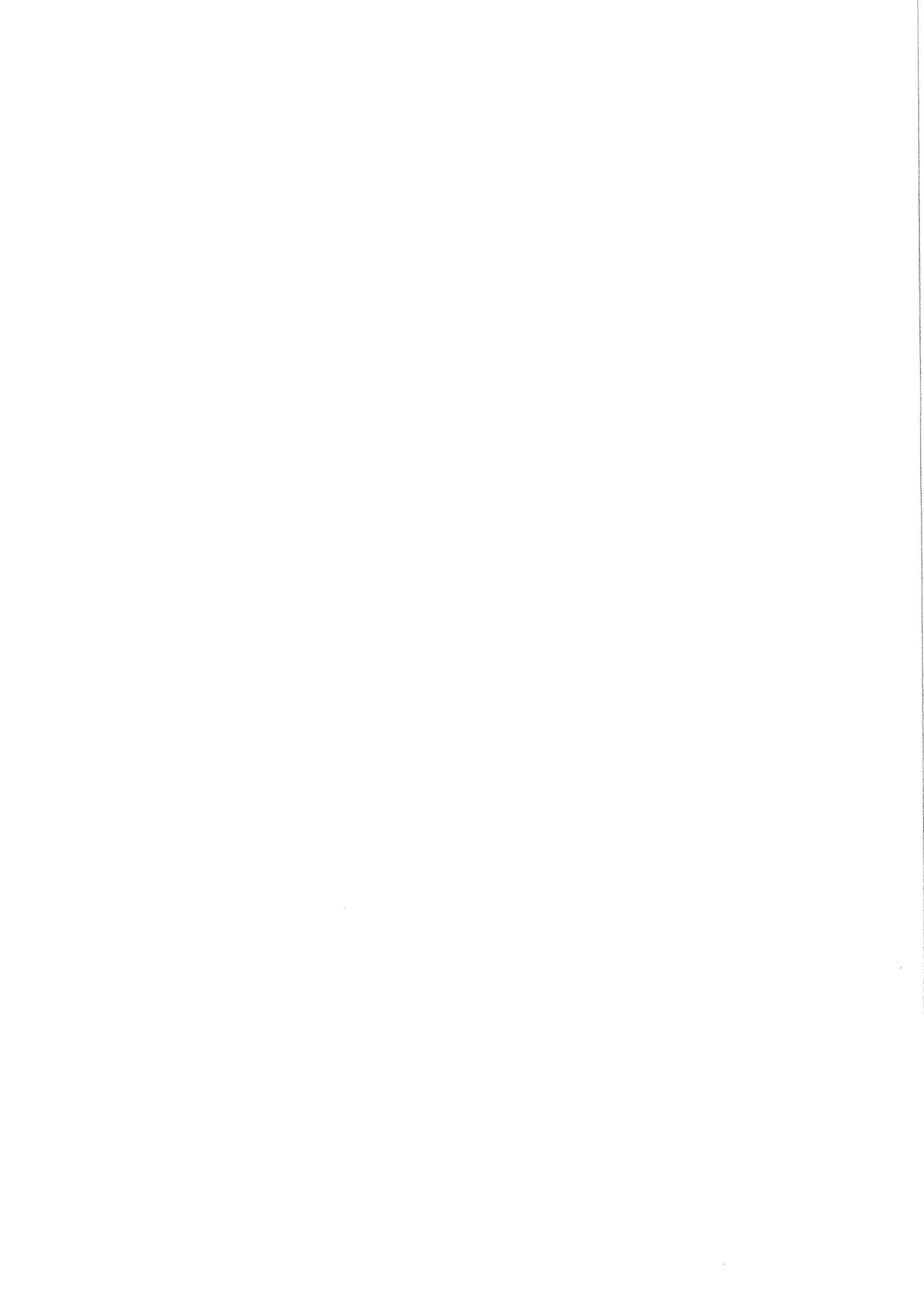
Item	Part No.	Description	Qty.	Remarks
48	SS040013/005	Steel Spacer	1	
49	SFT30	Bearing	4	
50				
51	W0166	Ø30 External Circlip	2	
52				
53				
54	22015008/025	M8x25 Socket Head Cap Screw	24	
55	22067005/030	Ø5x30 Roll Pin	2	
56	22067006/035	Ø6x35 Roll Pin	2	
57				
58				
59	68026	Pin Mounting Bracket	1	
60	68027	Locking Pin	1	
	12506	Flanged Roller Assembly Consists Of:		
64	0000300504	Felt Seal	1	
65	11265	Roller Spindle	1	
66	6005RS	Bearing	2	
67	PH407	Seal	1	
68	PH408	Seal	1	
69	PH51AR	Flanged Roller	1	
70	PS843	Circlip	2	
	61985	Steel Roller Assembly Consists Of:		
71	RPM156.303068	Plain Roller	1	
72	61984	Spindle	1	
73	RPF200.020175	Ø20 External Circlip	1	
74	63042RS	Bearing	1	
75	W0167	Ø52 Internal Circlip	1	
	RPW300.303144A	20mm Pitch Web with 'F' Type Joiners (pressed steel) Consists Of:		
76	RPW300.303144A8	Ø10 Joining Rod	1	
77	RPW300.303144A9	20mm Pitch 'F' Type Joiner (4 hole)	4	
78				
79	RPM222.304121	Ø10 Web Rod	377	
80	RPGM019.00155	Clamp Plate	746	
81	RPF240.155200	Ø5x20 Rivet	1492	
82	RPW300.303144A7	Ø5x26 Rivet	16	
	RPW300.303144	28mm Pitch Web with Male/Female Joiners (pressed steel) Consists Of:		
83	RPM222.101008	Ø10 Joining Rod	1	
	RPW300.303144A4	Ø11 Joining Rod	1	
84	RPM419.252824	28mm Pitch M & F Joiners (2 hole)	2 pairs	
85				
86	RPM222.304121	Ø10 Web Rod	265	
87	RPGM019.00155	Clamp Plate	526	
88	RPF240.150220	Ø5x22 Rivet	1052	
89	RPF240.150250	Ø5x25 Rivet	8	

STAR UNIPLUS SPARE PARTS**3.16d**

Machines from 2019

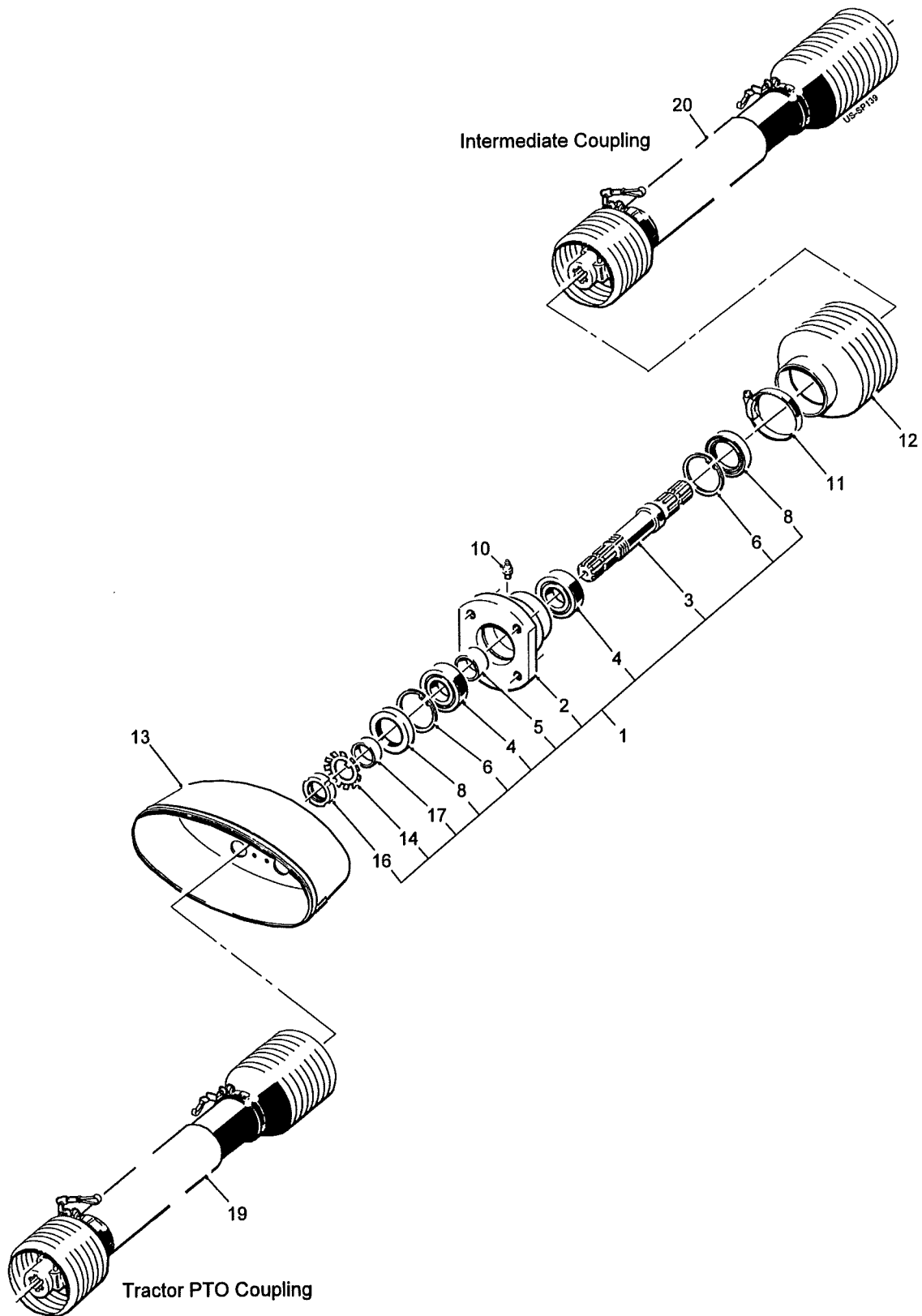
Cross Conveyor Assembly**Assy No 61976**

Item	Part No.	Description	Qty.	Remarks
	RPW300.303145	40mm Pitch Web with Male/Female Joiners (pressed steel) Consists Of:		
83	RPM222.101008	Ø10 Joining Rod	1	
	RPW300.303144A4	Ø11 Joining Rod	1	
84	RPM419.254024	40mm Pitch M & F Joiners (3 hole)	2 pairs	
85				
86	RPM222.304121	Ø10 Web Rod	186	
87	RPGM019.00155	Clamp Plate	368	
88	RPF240.150220	Ø5x22 Rivet	736	
89	RPF240.150250	Ø5x22 Rivet	12	



Machines from 2019

Input Drives



4.1a**STAR UNIPLUS SPARE PARTS**

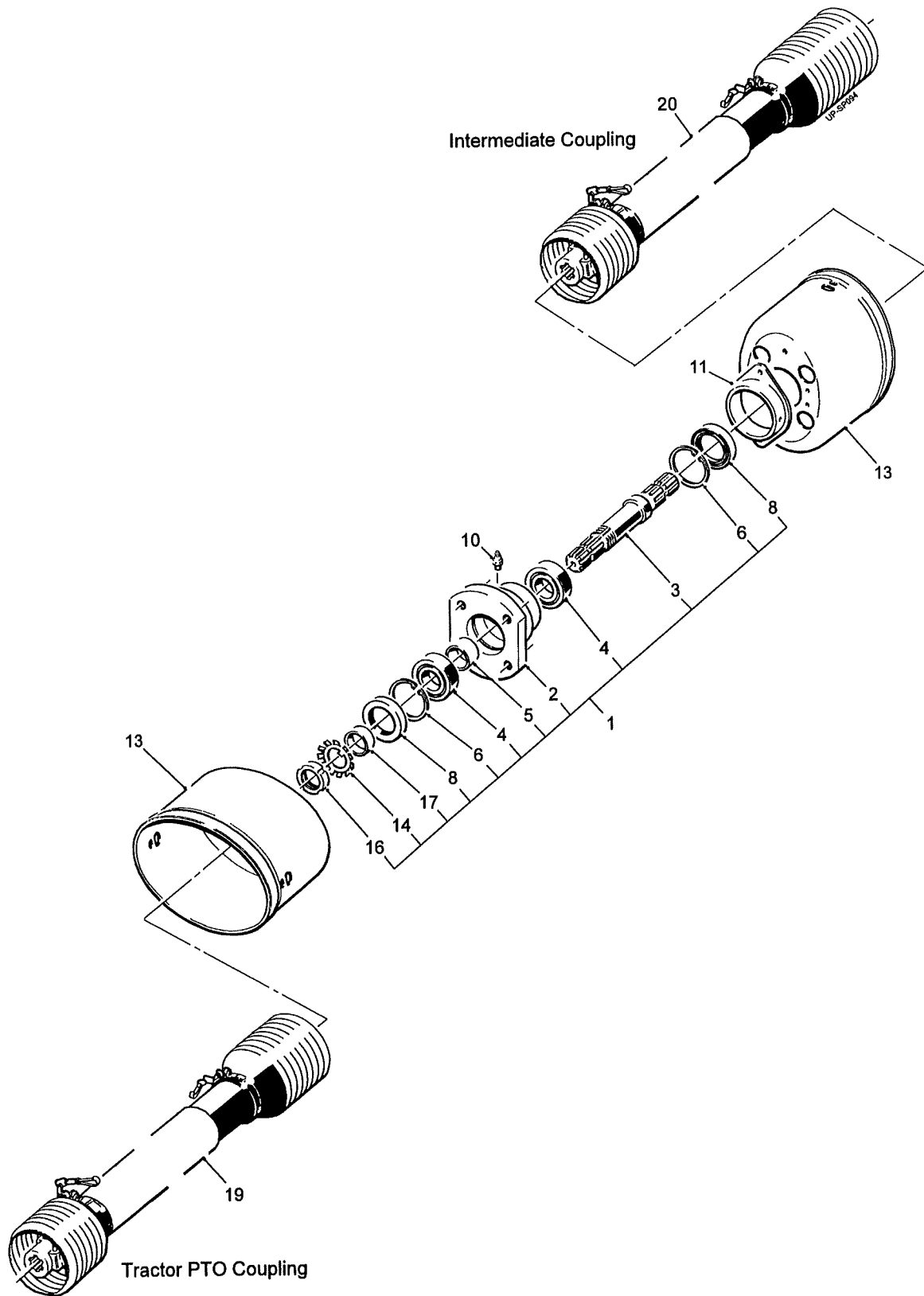
Machines from 2019

Input Drives

Item	Part No.	Description	Qty.	Remarks
1	RPS972	Drive Housing Assembly	1	
2	RPA610.306283	Housing	1	
3	RPS787B	Splined Shaft	1	
4	6208	Bearing	2	
5	RPGM060.00659	Spacer (37mm)	1	
6	W0161	Ø80 Internal Circlip	2	
7				
8	11876/4	Oil Seal (50x80x13)	2	
9				
10	RPC648.081250	M8 Straight Grease Nipple	1	
11	RPC654.303207	Hose Clip	1	
12	RPGMRPB95.01201	Guard Cone	1	
13	RPT842.306457	PTO Guard Cone (drilled)	1	
14	RPF284.140000	Lock Washer	1	
15				
16	45038	M40 Lock Nut	1	
17	61234	Spacer (20mm)	1	
18				
19	57055	PTO Drive Coupling Complete	1	
20	57113	Intermediate Drive Coupling Complete	1	

Machines from 2020

Input Drives



4.1a

STAR UNIPLUS SPARE PARTS

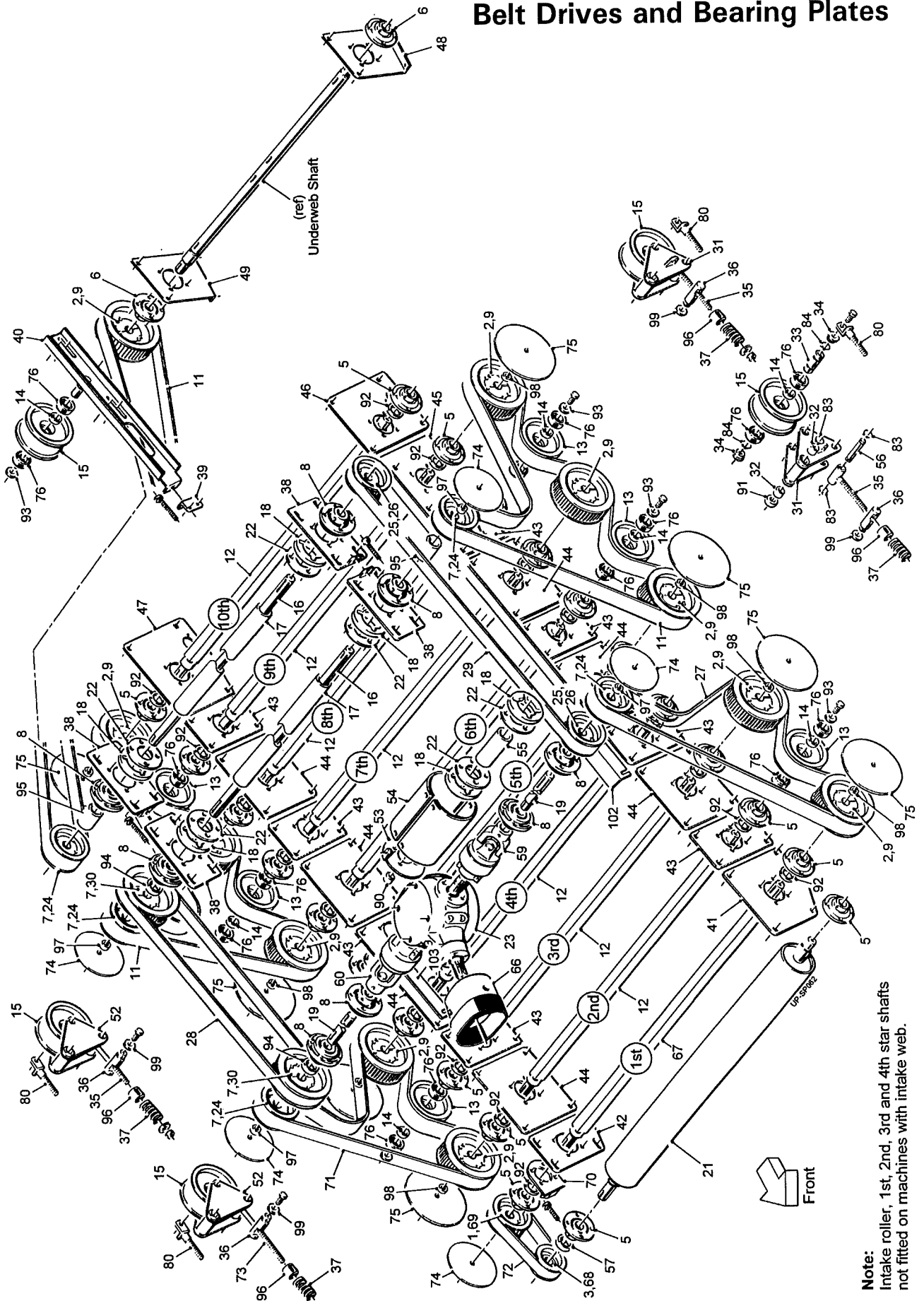
Machines from 2020

Input Drives

Item	Part No.	Description	Qty.	Remarks
1	RPS972	Drive Housing Assembly	1	
2	RPA610.306283	Housing	1	
3	RPS787B	Splined Shaft	1	
4	6208	Bearing	2	
5	RPGM060.00659	Spacer (37mm)	1	
6	W0161	Ø80 Internal Circlip	2	
7				
8	11876/4	Oil Seal (50x80x13)	2	
9				
10	RPC648.081250	M8 Straight Grease Nipple	1	
11	68098	Guard Cone Mount	1	
12				
13	RPT842.306457	PTO Guard Cone (drilled)	2	
14	RPF284.140000	Lock Washer	1	
15				
16	45038	M40 Lock Nut	1	
17	61234	Spacer (20mm)	1	
18				
19	57055	PTO Drive Coupling Complete	1	
20	57113	Intermediate Drive Coupling Complete	1	

Machines from 2019

Belt Drives and Bearing Plates



Note:
Intake roller, 1st, 2nd, 3rd and 4th star shafts
not fitted on machines with intake web.

4.2a

STAR UNIPLUS SPARE PARTS

Machines from 2019

Belt Drives and Bearing Plates

Item	Part No.	Description	Qty.	Remarks
1	33154	Taperlock Bush (2517-45)	1	
2	33156	Taperlock Bush (3525-45)	11	
3	33162	Taperlock Bush (2012-45)	1	
4				
5	MFC45	Bearing	22	
6	57002	Bearing	2	
7	57006	Taperlock Bush (3020-50)	7	
8	57283	Bearing	8	
9	57009	56T Pulley	11	
10				
11	57013	Drive Belt (4578mm)	3	
12	57037B	Star Shaft (1500mm)	9	
	57037C	Star Shaft (1700mm)	9	
13	57042	Nylon Idler Pulley	6	Steel Idler Pulley 57042S
14	57043	Spacer (16mm)	12	
15	57044	Tensioner Pulley	5	
16	57048A	Lay Shaft (1700mm)	2	
	57048B	Lay Shaft (1500mm)	2	
17	57049A	Plastic Guard Tube (1700mm)	2	
	57049B	Plastic Guard Tube (1500mm)	2	
18	57051	Spacer Disc	8	
19	57770A	Half Shaft (1700mm)	2	
	57770B	Half Shaft (1500mm)	2	
20				
21	61528	Front Roller (1700mm)	1	
	61787	Front Roller (1500mm)	1	
22	57070	Guard Tube Support Disc	8	
23	57098	Gearbox Assembly	1	
24	57100	40T Pulley	5	
25	57101	Taperlock Bush (2517-50)	2	
26	57102	40T Pulley	2	
27	57103	Drive Belt (3500mm)	1	
28	57104	Drive Belt (2800mm)	1	
29	57105	Drive Belt (3500mm)	1	
30	57114	48T Pulley	2	
31	57128LH	Tensioner Arm	2	
32	57129	Plastic Bush	8	
33	57130	Tensioner Shaft	4	
34	57131	Tensioner Bush	8	
35	57132	Tensioner Rod (short)	3	
36	57134	Tensioner Trunnion	4	
37	57136	Spring	4	
38	57137	Lay Shaft Adjuster Plate	4	
39	57138	Plate	1	
40	57139	Rear Tensioner Plate	1	
41	57671	Bearing Plate	1	
42	57672	Bearing Plate	1	
43	57673	Bearing Plate	8	
44	57674	Bearing Plate	7	

STAR UNIPLUS SPARE PARTS

4.2b

Machines from 2019

Belt Drives and Bearing Plates

Item	Part No.	Description	Qty.	Remarks
45	57675	Bearing Plate	1	
46	57676	Bearing Plate	1	
47	57677	Bearing Plate	1	
48	57148C	LH Bearing Plate	1	
49	57149C	RH Bearing Plate	1	
50				
51				
52	57128RH	Tensioner Arm RH	2	
53	57704	Guard Inner Support	2	
54	57878	Clutch Guard Half	4	
55	57766A	Guard Tube (1700mm)	2	
	57766B	Guard Tube (1500mm)	2	
56	57161	Tensioner Pin	4	
57	57164	Spacer (8mm)	1	
58				
59	57758	1800 NM Friction Clutch Complete	1	
60	57757	2700 NM Friction Clutch Complete	1	
61				
62				
63				
64				
65				
66	57238	PTO Guard	1	
67	57307A	1st Star Shaft (1700mm)	1	
	57307B	1st Star Shaft (1500mm)	1	
68	58066	28T Pulley (55mm wide)	1	
69	58082	38T Pulley (55mm wide)	1	
70	57718	Tensioner Plate	1	
71	57313	Drive Belt	1	
72	57401	Drive Belt (55mm wide)	1	
73	57356	Tensioner Rod (long)	1	Used with intake roller & stars only
	57132	Tensioner Rod (long)	1	Used with intake web only
74	57759	Ø220 Pulley Flange	5	
75	57760	Ø275 Pulley Flange	8	
76	62072RS	Bearing	24	
77				
78				
79				
80	RPA610.304444	Adjuster	4	
81				
82				
83	RPF200.025200	Ø25 External Circlip	12	
84	RPF200.035250	Ø35 External Circlip	8	
85				
86				
87				
88				
89				
90	SS025011/015	Steel Spacer	6	
91	SS035026/013	Steel Spacer	4	
92	SS051046/005	Steel Spacer	20	
93	SS045017/006	Steel Spacer	8	

4.2c

STAR UNIPLUS SPARE PARTS

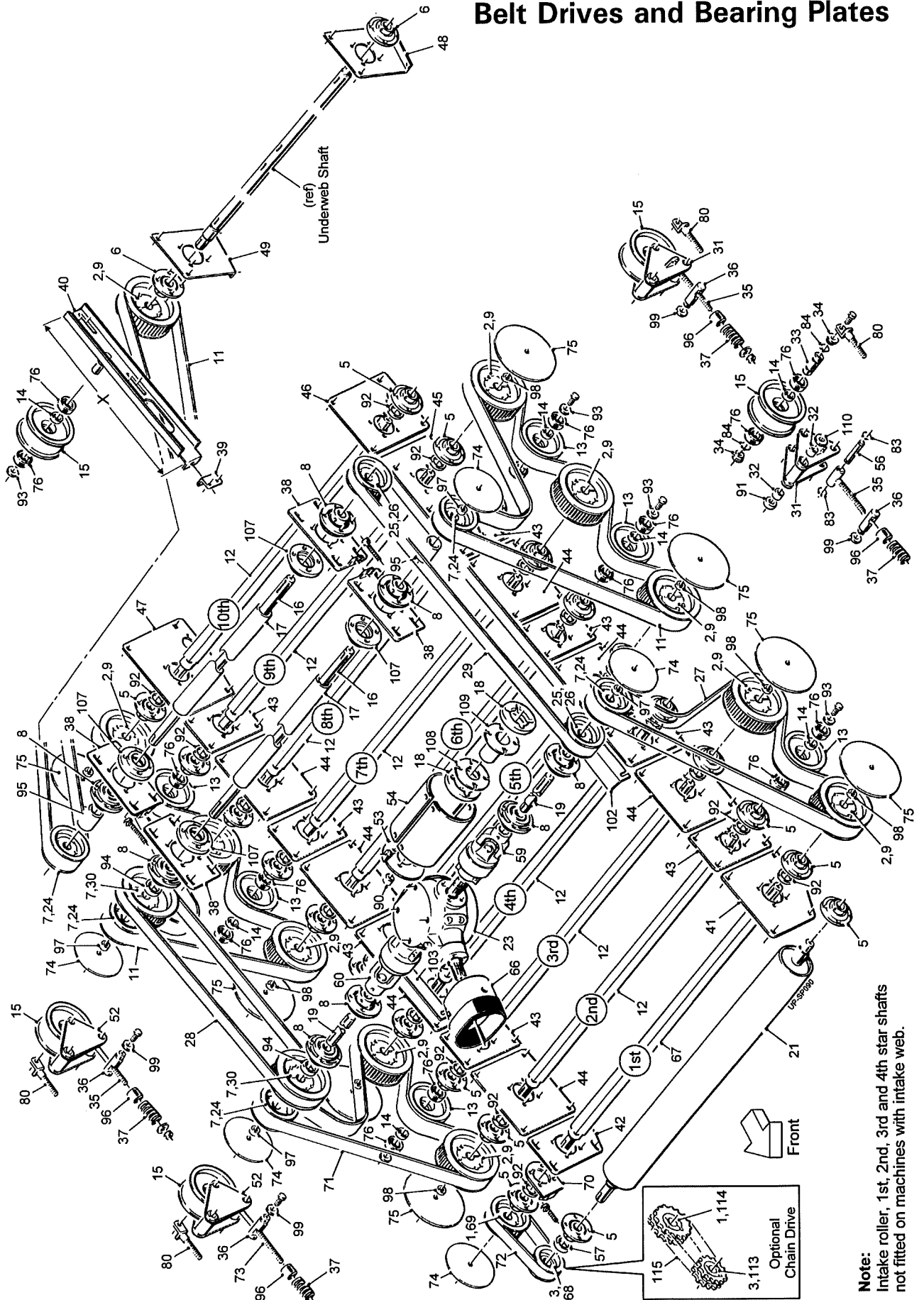
Machines from 2019

Belt Drives and Bearing Plates

Item	Part No.	Description	Qty.	Remarks
94	SS060054/010	Steel Spacer	2	
95	SS060054/086	Steel Spacer	2	
96	SS030017/030	Steel Spacer	4	
97	SS030017/023	Steel Spacer	4	
98	SS030017/017	Steel Spacer	8	
99	SS040011/003	Steel Spacer	4	
100	VB90	V' Belt	2	
101				
102	57900	Infill Panel	1	
103	57901	Infill Panel	1	

Machines from 2020

Belt Drives and Bearing Plates



4.2a

STAR UNIPLUS SPARE PARTS

Machines from 2020

Belt Drives and Bearing Plates

Item	Part No.	Description	Qty.	Remarks
1	33154	Taperlock Bush (2517-45)	1	
2	33156	Taperlock Bush (3525-45)	11	
3	33162	Taperlock Bush (2012-45)	1	
4				
5	MFC45	Bearing	22	
6	57002	Bearing	2	
7	57006	Taperlock Bush (3020-50)	7	
8	57283	Bearing	8	Danish m/c 57283A
9	57009	56T Pulley	11	
10				
11	57013	Drive Belt (4578mm)	3	
12	57037B	Star Shaft (1500mm)	9	
	57037C	Star Shaft (1700mm)	9	
	57037	Star Shaft (1600mm)	9	
13	57042	Nylon Idler Pulley	6	Steel Idler Pulley 57042S
14	57043	Spacer (16mm)	12	
15	57044	Tensioner Pulley	5	
16	57048A	Lay Shaft (1700mm)	2	
	57048B	Lay Shaft (1500mm)	2	
	57048	Lay Shaft (1600mm)	2	
17	57049A	Plastic Guard Tube (1700mm)	2	
	57049B	Plastic Guard Tube (1500mm)	2	
	57049	Plastic Guard Tube (1600mm)	2	
18	57051	Spacer Disc	4	
19	57770A	Half Shaft (1700mm)	2	
	57770B	Half Shaft (1500mm)	2	
	57770	Half Shaft (1600mm)	2	
20				
21	61528	Front Roller (1700mm)	1	
	61787	Front Roller (1500mm)	1	
	57315	Front Roller (1600mm)	1	
22				
23	57098	Gearbox Assembly	1	
24	57100	40T Pulley	5	
25	57101	Taperlock Bush (2517-50)	2	
26	57102	40T Pulley	2	
27	57103	Drive Belt (3500mm)	1	
28	57104	Drive Belt (2800mm)	1	
29	57105	Drive Belt (3500mm)	1	
30	57114	48T Pulley	2	
31	57128LH	Tensioner Arm	2	
32	57129	Plastic Bush	8	
33	57130	Tensioner Shaft	4	
34	57131	Tensioner Bush	8	
35	57132	Tensioner Rod (short)	3	
36	57134	Tensioner Trunnion	4	
37	57136	Spring	4	
38	57137	Lay Shaft Adjuster Plate	4	
39	57138	Plate	1	
40	57139	Rear Tensioner Plate (X=885mm)	1	
	68029	Rear Tensioner Plate (X=864mm)	1	

STAR UNIPLUS SPARE PARTS**4.2b**

Machines from 2020

Belt Drives and Bearing Plates

Item	Part No.	Description	Qty.	Remarks
41	57671	Bearing Plate	1	
42	57672	Bearing Plate	1	
43	57673	Bearing Plate	8	
44	57674	Bearing Plate	7	
45	57675	Bearing Plate	1	
46	57676	Bearing Plate	1	
47	57677	Bearing Plate	1	
48	57148A	LH Bearing Plate (was 57148D)	1	57148C with Rear Tensioner 68029
49	57149A	RH Bearing Plate (was 57149D)	1	57149C with Rear Tensioner 68029
50				
51				
52	57128RH	Tensioner Arm RH	2	
53	57704	Guard Inner Support	2	
54	57878	Clutch Guard Half	4	
55				
56	57161	Tensioner Pin	4	
57	57164	Spacer (8mm)	1	
58				
59	57758	1800 NM Friction Clutch Complete	1	
60	57757	2700 NM Friction Clutch Complete	1	
61				
62				
63				
64				
65				
66	57238	PTO Guard	1	
67	57307A	1st Star Shaft (1700mm)	1	
	57307B	1st Star Shaft (1500mm)	1	
	57307	1st Star Shaft (1600mm)	1	
68	58066	28T Pulley (55mm wide)	1	
69	58082	38T Pulley (55mm wide)	1	
70	57718	Tensioner Plate	1	
71	57313	Drive Belt	1	
72	57401	Drive Belt (55mm wide)	1	
73	57356	Tensioner Rod (long)	1	Used with intake roller & stars only
	57132	Tensioner Rod (long)	1	Used with intake web only
74	57759	Ø220 Pulley Flange	5	
75	57760	Ø275 Pulley Flange	8	
76	62072RS	Bearing	24	
77				
78				
79				
80	RPA610.304444	Adjuster	4	
81				
82				
83	RPF200.025200	Ø25 External Circlip	8	
84	RPF200.035250	Ø35 External Circlip	8	
85				
86				
87				
88				

4.2c

STAR UNIPLUS SPARE PARTS

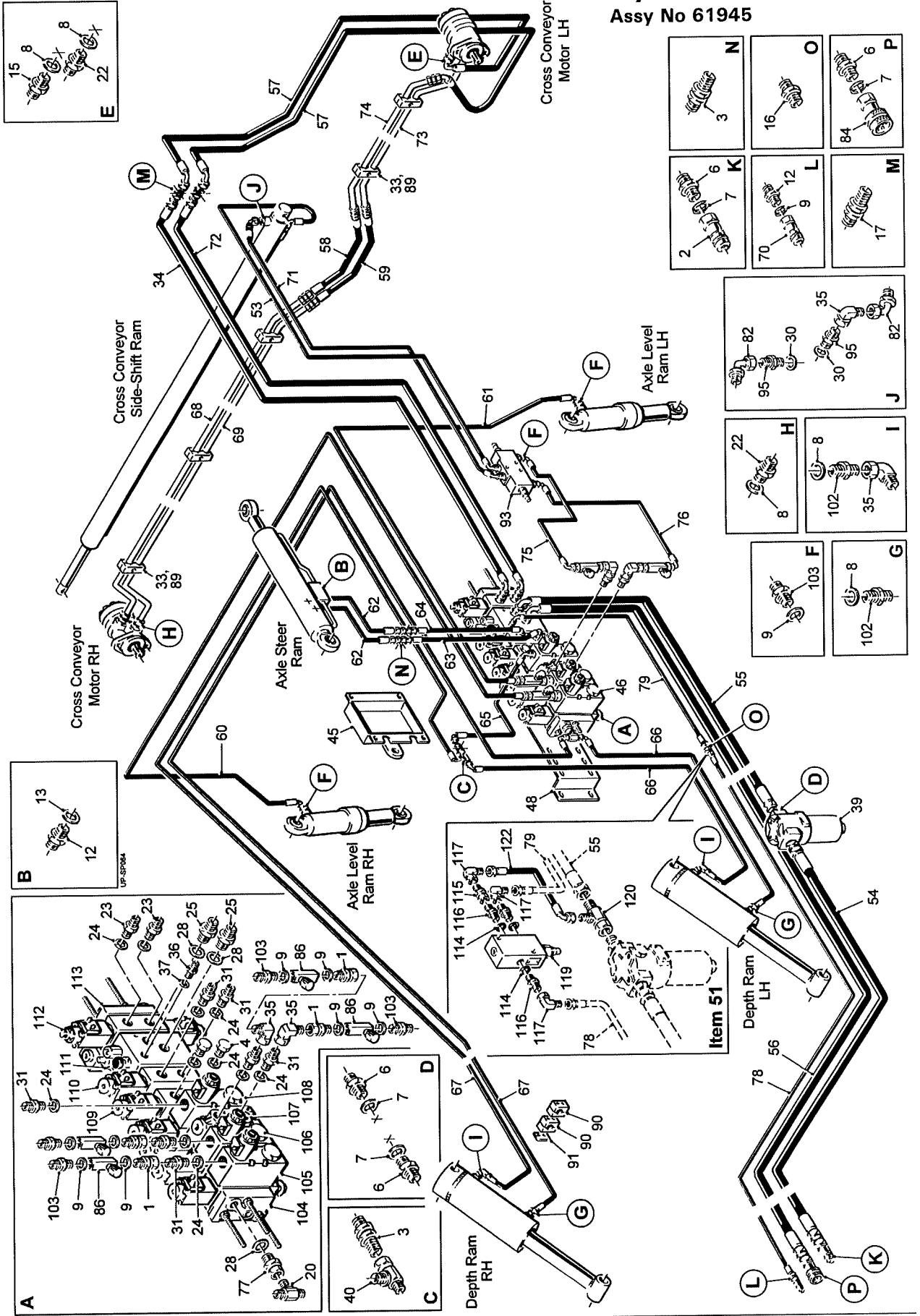
Machines from 2020

Belt Drives and Bearing Plates

Item	Part No.	Description	Qty.	Remarks
89				
90	SS025011/015	Steel Spacer	2	
91	SS035026/013	Steel Spacer	4	
92	SS051046/005	Steel Spacer	20	
93	SS045017/006	Steel Spacer	8	
94	SS060054/010	Steel Spacer	2	
95	SS060054/086	Steel Spacer	2	
96	SS030017/030	Steel Spacer	4	
97	SS030017/023	Steel Spacer	4	
98	SS030017/017	Steel Spacer	8	
99	SS040011/003	Steel Spacer	4	
100	VB90	V' Belt	2	
101				
102	57900	Infill Panel	1	
103	57901	Infill Panel	1	
105				
106				
107	68094	Guard Tube Support	4	
108	68096	Bearing Shield	2	
109	68097A	Shaft Shield (1700mm)	2	
	68097B	Shaft Shield (1500mm)	2	
	68097	Shaft Shield (1600mm)	2	
110	65532	Countersunk Washer	4	
111				
112				
113	57556	15T 1"Pitch Duplex Sprocket	1	
114	57557	20T 1"Pitch Duplex Sprocket	1	
115	57558	1"Pitch Drive Chain	1	

Machines from 2019

Hydraulic Assembly Assy No 61945



4.3a

STAR UNIPLUS SPARE PARTS

Machines from 2019

Hydraulic Assembly

Assy No 61945

Item	Part No.	Description	Qty.	Remarks
1	10128	3/8"BSP MF Swivel Adaptor	4	
2	11108A	3/4"BSP Male Probe	1	
3	10466	3/8"BSP Bulkhead Adaptor	3	
4	16454	M18 Blanking Plug	2	
5				
6	11115	3/4"BSP M M Adaptor	4	
7	11123	3/4"BSP Dowty Seal	4	
8	11124	1/2"BSP Dowty Seal	10	
9	11125	3/8"BSP Dowty Seal	14	
10	11295	1/2"BSPx3/4"BSP M M Adaptor	2	
11				
12	11336	1/4"BSP x3/8"BSP M M Adaptor	3	
13	11337	1/4"BSP Dowty Seal	2	
14				
15	12315	1/2"BSP M M Adaptor	1	
16	12316	1/4"BSP M M Adaptor	1	
17	12321	1/2"BSP Bulkhead Adaptor	2	
18				
19				
20	23139	3/8"BSP M M M Tee	1	
21				
22	27388	1/2"BSPx15L Male Stud Coupling	3	
23	27459	M18x1/2"BSP M M Adaptor	2	
24	27461	M18 Dowty Seal	9	
25	27904	M22x3/4"BSP M M Adaptor	2	
26				
27				
28	31167	M22 Dowty Seal	3	
29				
30	37104	M16 Dowty Seal	2	
31	37599	M18x3/8"BSP M M Adaptor	7	
32				
33	41401	Pipe Clamp (15-15)	5	
34	43207	1/2"Hose Assembly (2700mm)	1	
35	42343	3/8"BSP MF Compact 90° Adaptor	3	
36	44207	M14x1/4"BSP M M Adaptor	1	
37	44208	M14 Dowty Seal	1	
38				
39	46859	Pressure Filter Assembly	1	Element only 37770/1
40	46939	3/8"BSP F M M Tee	1	
41				
42				
43				
44				
45	57084	Valve Cover Plate	1	
46	61266	Valve Bank Assembly	1	(see list at end)
47				
48	57208	Valve Mounting Plate	1	
49				
50				
51	57612	Load Sensing Valve Kit	1	Optional
52				
53	60248	3/8"Hose Assembly (2460mm)	1	
54	60267	3/4"Hose Assembly (6070mm)	1	
55	60268	3/4"Hose Assembly (3200mm)	1	

STAR UNIPLUS SPARE PARTS

4.3b

Machines from 2019

Hydraulic Assembly

Assy No 61945

Item	Part No.	Description	Qty.	Remarks
56	60269	3/4"Hose Assembly (9100mm)	1	
57	60850	1/2"Hose Assembly (2810mm)	2	
58	60851	1/2"Hose Assembly (580mm)	1	
59	60852	1/2"Hose Assembly (630mm)	1	
60	60824	3/8"Hose Assembly (4400mm)	1	
61	40042	3/8"Hose Assembly (2400mm)	1	
62	60278	3/8"Hose Assembly (660mm)	2	
63	60279	3/8"Hose Assembly (760mm)	1	
64	60280	3/8"Hose Assembly (510mm)	1	
65	60281	3/8"Hose Assembly (560mm)	1	
66	60282	3/8"Hose Assembly (3660mm)	2	
67	60624	3/8"Hose Assembly (7085mm)	2	
68	60842	Ø15 Steel Pipe Assembly (top)	1	
69	60843	Ø15 Steel Pipe Assembly (bottom)	1	
70	60166	3/8"BSP Male Probe	1	
71	60846	3/8"Hose Assembly (2550mm)	1	
72	60292	1/2"Hose Assembly (2600mm)	1	
73	60844	Ø15 Steel Pipe Assembly	1	
74	60845	Ø15 Steel Pipe Assembly	1	
75	60848	3/8"Hose Assembly (1255mm)	1	
76	60849	3/8"Hose Assembly (755mm)	1	
77	60326	M22 Mx3/8"BSP FM Swivel Adaptor	1	
78	60456	1/4"Hose Assembly (5900mm)	1	
79	60457	1/4"Hose Assembly (3300mm)	1	
80				
81				
82	60491	3/8"BSP Swept 45° Adaptor	2	
83				
84	61600	3/4"BSP Fem Quick Release Coupling	1	
85				
86	KA17102	3/8"BSP Adjustable Restrictor Valve	4	
87				
88				
89	RPC654.308052	Pipe Clamp Plate	5	
90	RPC654.309034/1	Pipe Clamp (20)	2 pair	
91	RPC654.309035	Pipe Clamp plate	1	
92				
93	DWS1134/1	3/8"BSP Over-centre Valve	1	
94				
95	RPH700.170616	M16x3/8"BSP M M Adaptor	2	
96				
97				
98				
99				
100				
101				
102	UC25	1/2"BSPx3/8"BSP M M Adaptor	4	
103	UC31A	3/8"BSP M M Adaptor	10	
	61266	Valve Bank Assembly Consists Of:		
104	57085/2	End Plate	1	
105	57085/6	'RH Axle Level' Section	1	
106	57085/6	'LH Axle Level' Section	1	
107	58051/1	'Conveyor Side Shift' Section	1	
108	57085/7	'Share Depth' Section	1	

4.3c**STAR UNIPLUS SPARE PARTS**

Machines from 2019

Hydraulic Assembly

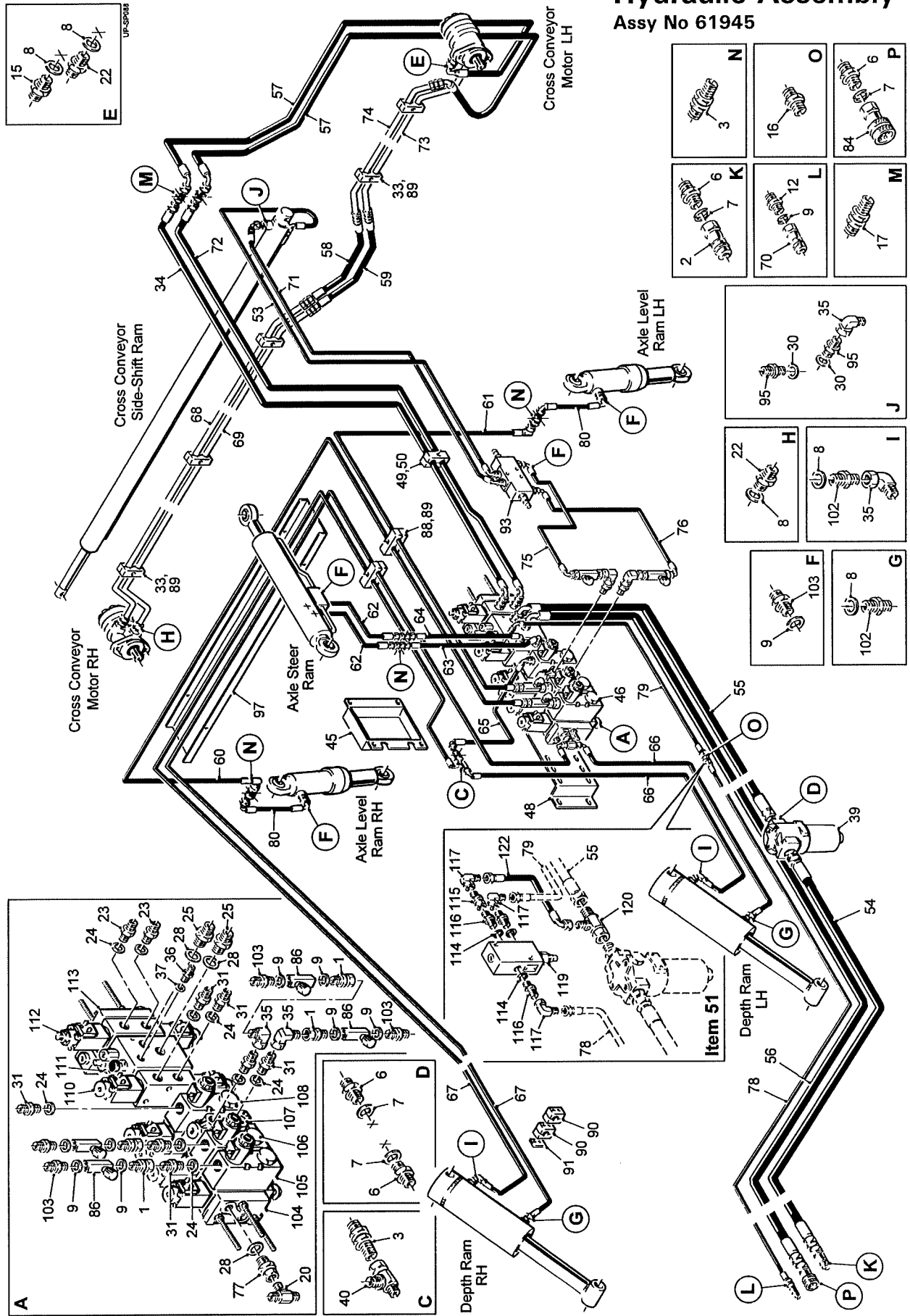
Assy No 61945

Item	Part No.	Description	Qty.	Remarks
109	46285/3	'Spare' Section	1	
110	46285/10	'Axle Steer' Section	1	
111	46285/4	Inlet Section	1	
112	57085/5	'Cross Conveyor Motors' Section	1	
113	57085/2	End Plate	1	
	57612	Load Sensing Valve Kit Consists Of:		
114	44208	M14 Dowty Seal	3	
115	41484	1/4"BSP M F Swivel Adaptor	1	
116	44207	M14x1/4"BSP M M Adaptor	3	
117	12378	1/4"BSP MF Swept 90°Adaptor	3	
118				
119	57523	Load Sensing Valve	1	
120	57613	3/4"Fx1/4"Mx3/4"M Tee	1	
121				
122	60458	1/4"Hose Assembly (570mm)	1	

Machines from 2020

Hydraulic Assembly

Assy No 61945



4.3a

STAR UNIPLUS SPARE PARTS

Machines from 2020

Hydraulic Assembly

Assy No 61945

Item	Part No.	Description	Qty.	Remarks
1	10128	3/8"BSP MF Swivel Adaptor	4	
2	11108A	3/4"BSP Male Probe	1	
3	10466	3/8"BSP Bulkhead Adaptor	5	
4				
5				
6	11115	3/4"BSP M M Adaptor	4	
7	11123	3/4"BSP Dowty Seal	4	
8	11124	1/2"BSP Dowty Seal	10	
9	11125	3/8"BSP Dowty Seal	18	
10				
11				
12	11336	1/4"BSP x3/8"BSP M M Adaptor	1	
13				
14				
15	12315	1/2"BSP M M Adaptor	1	
16	12316	1/4"BSP M M Adaptor	1	
17	12321	1/2"BSP Bulkhead Adaptor	2	
18				
19				
20	23139	3/8"BSP M M M Tee	1	
21				
22	27388	1/2"BSPx15L Male Stud Coupling	3	
23	27459	M18x1/2"BSP M M Adaptor	2	
24	27461	M18 Dowty Seal	7	
25	27904	M22x3/4"BSP M M Adaptor	2	
26				
27				
28	31167	M22 Dowty Seal	3	
29				
30	37104	M16 Dowty Seal	2	
31	37599	M18x3/8"BSP M M Adaptor	7	
32				
33	41401	Pipe Clamp (15-15)	5	
34	43207	1/2"Hose Assembly (2700mm)	1	
35	42343	3/8"BSP MF Compact 90° Adaptor	5	
36	44207	M14x1/4"BSP M M Adaptor	1	
37	44208	M14 Dowty Seal	1	
38				
39	46859	Pressure Filter Assembly	1	Element only 37770/1
40	46939	3/8"BSP F M M Tee	1	
41				
42				
43				
44				
45	57084A	Valve Cover Plate	1	Cover with roller lug 57084
46	61266	Valve Bank Assembly	1	(see list at end)
47				
48	57208	Valve Mounting Plate	1	
49	57224	Pipe Clamp (22-22)	1 pair	
50	57225	Pipe Clamp Plate	1	
51	57612	Load Sensing Valve Kit	1	Optional
52				
53	60248	3/8"Hose Assembly (2460mm)	1	
54	60267	3/4"Hose Assembly (6070mm)	1	
55	60268	3/4"Hose Assembly (3200mm)	1	

STAR UNIPLUS SPARE PARTS

4.3b

Machines from 2020

Hydraulic Assembly

Assy No 61945

Item	Part No.	Description	Qty.	Remarks
56	60269	3/4"Hose Assembly (9300mm)	1	
57	60850	1/2"Hose Assembly (2810mm)	2	
58	60851	1/2"Hose Assembly (580mm)	1	
59	60852	1/2"Hose Assembly (630mm)	1	
60	60276	3/8"Hose Assembly (3560mm)	1	
61	60277	3/8"Hose Assembly (1760mm)	1	
62	60278	3/8"Hose Assembly (660mm)	2	
63	60279	3/8"Hose Assembly (760mm)	1	
64	60280	3/8"Hose Assembly (510mm)	1	
65	60281	3/8"Hose Assembly (560mm)	1	
66	60282	3/8"Hose Assembly (3660mm)	2	
67	60624	3/8"Hose Assembly (7085mm)	2	
68	60842	Ø15 Steel Pipe Assembly (top)	1	
69	60843	Ø15 Steel Pipe Assembly (bottom)	1	
70	60166	3/8"BSP Male Probe	1	
71	60846	3/8"Hose Assembly (2550mm)	1	
72	60292	1/2"Hose Assembly (2600mm)	1	
73	60844	Ø15 Steel Pipe Assembly	1	
74	60845	Ø15 Steel Pipe Assembly	1	
75	60848	3/8"Hose Assembly (1255mm)	1	
76	60849	3/8"Hose Assembly (755mm)	1	
77	60326	M22 Mx3/8"BSP FM Swivel Adaptor	1	
78	60456	1/4"Hose Assembly (6700mm)	1	
79	60457	1/4"Hose Assembly (3300mm)	1	
80	60275	3/8"Hose Assembly (510mm)	2	
81				
82				
83				
84	61600	3/4"BSP Fem Quick Release Coupling	1	
85				
86	KA17102	3/8"BSP Adjustable Restrictor Valve	4	
87				
88	RPC654.308051	Pipe Clamp (18-18)	2 pair	
89	RPC654.308052	Pipe Clamp Plate	7	
90	RPC654.309034/1	Pipe Clamp (20)	2 pair	
91	RPC654.309035	Pipe Clamp plate	1	
92				
93	DWS1134/1	3/8"BSP Over-centre Valve	1	
94				
95	RPH700.170616	M16x3/8"BSP M M Adaptor	2	
96				
97	68123	Hose Tray	1	1500mm machine
	68123A	Hose Tray	1	1700mm machine
	68123B	Hose Tray	1	1600mm machine
98				
99				
100				
101				
102	UC25	1/2"BSPx3/8"BSP M M Adaptor	4	
103	UC31A	3/8"BSP M M Adaptor	12	
	61266	Valve Bank Assembly Consists Of:		
104	57085/2	End Plate	1	
105	57085/6	'RH Axle Level' Section	1	
106	57085/6	'LH Axle Level' Section	1	

4.3c

STAR UNIPLUS SPARE PARTS

Machines from 2020

Hydraulic Assembly

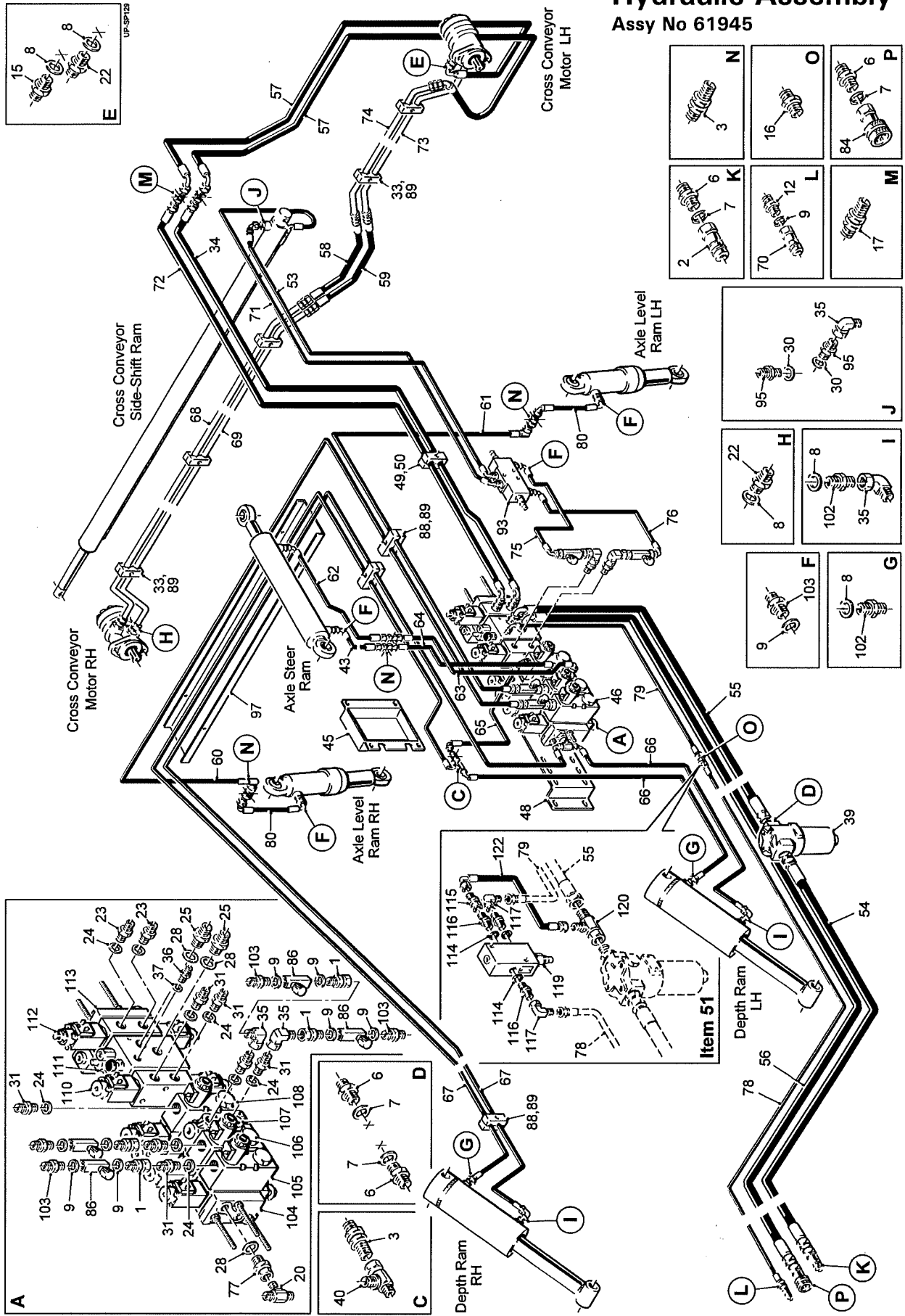
Assy No 61945

Item	Part No.	Description	Qty.	Remarks
107	58051/1	'Conveyor Side Shift' Section	1	
108	57085/7	'Share Depth' Section	1	
109				
110	46285/10	'Axle Steer' Section	1	
111	46285/4	Inlet Section	1	
112	57085/5	'Cross Conveyor Motors' Section	1	
113	57085/2	End Plate	1	
	57612	Load Sensing Valve Kit Consists Of:		
114	44208	M14 Dowty Seal	3	
115	41484	1/4"BSP M F Swivel Adaptor	1	
116	44207	M14x1/4"BSP M M Adaptor	3	
117	12378	1/4"BSP MF Swept 90° Adaptor	3	
118				
119	57523	Load Sensing Valve	1	
120	57613	3/4"Fx1/4"Mx3/4"M Tee	1	
121				
122	60458	1/4"Hose Assembly (570mm)	1	

Machines from 2024

Hydraulic Assembly

Assy No 61945



4.3a

STAR UNIPLUS SPARE PARTS

Machines from 2024

Hydraulic Assembly

Assy No 61945

Item	Part No.	Description	Qty.	Remarks
1	10128	3/8"BSP MF Swivel Adaptor	4	
2	11108A	3/4"BSP Male Probe	1	
3	10466	3/8"BSP Bulkhead Adaptor	5	
4				
5				
6	11115	3/4"BSP M M Adaptor	4	
7	11123	3/4"BSP Dowty Seal	4	
8	11124	1/2"BSP Dowty Seal	10	
9	11125	3/8"BSP Dowty Seal	18	
10				
11				
12	11336	1/4"BSP x3/8"BSP M M Adaptor	1	
13				
14				
15	12315	1/2"BSP M M Adaptor	1	
16	12316	1/4"BSP M M Adaptor	1	
17	12321	1/2"BSP Bulkhead Adaptor	2	
18				
19				
20	23139	3/8"BSP M M M Tee	1	
21				
22	27388	1/2"BSPx15L Male Stud Coupling	3	
23	27459	M18x1/2"BSP M M Adaptor	2	
24	27461	M18 Dowty Seal	7	
25	27904	M22x3/4"BSP M M Adaptor	2	
26				
27				
28	31167	M22 Dowty Seal	3	
29				
30	37104	M16 Dowty Seal	2	
31	37599	M18x3/8"BSP M M Adaptor	7	
32				
33	41401	Pipe Clamp (15-15)	5	
34	43207	1/2"Hose Assembly (2700mm)	1	
35	42343	3/8"BSP MF Compact 90°Adaptor	5	
36	44207	M14x1/4"BSP M M Adaptor	1	
37	44208	M14 Dowty Seal	1	
38				
39	46859	Pressure Filter Assembly	1	Element only 37770/1
40	46939	3/8"BSP F M M Tee	1	
41				
42				
43	52249	3/8"Hose Assembly (450mm)	1	
44				
45	57084A	Valve Cover Plate	1	Cover with roller lug 57084
46	61266	Valve Bank Assembly	1	(see list at end)
47				
48	57208	Valve Mounting Plate	1	
49	57224	Pipe Clamp (22-22)	1 pair	
50	57225	Pipe Clamp Plate	1	
51	57612	Load Sensing Valve Kit	1	Optional
52				
53	60248	3/8"Hose Assembly (2460mm)	1	
54	60267	3/4"Hose Assembly (6070mm)	1	
55	60268	3/4"Hose Assembly (3200mm)	1	

STAR UNIPLUS SPARE PARTS

4.3b

Machines from 2024

Hydraulic Assembly

Assy No 61945

Item	Part No.	Description	Qty.	Remarks
56	60269	3/4"Hose Assembly (9300mm)	1	
57	60850	1/2"Hose Assembly (2810mm)	2	
58	60851	1/2"Hose Assembly (580mm)	1	
59	60852	1/2"Hose Assembly (630mm)	1	
60	60276	3/8"Hose Assembly (3560mm)	1	
61	60277	3/8"Hose Assembly (1760mm)	1	
62	71016	3/8"Hose Assembly (850mm)	1	
63	60279	3/8"Hose Assembly (760mm)	1	
64	60280	3/8"Hose Assembly (510mm)	1	
65	60281	3/8"Hose Assembly (560mm)	1	
66	60282	3/8"Hose Assembly (3660mm)	2	
67	60624	3/8"Hose Assembly (7085mm)	2	
68	60842	Ø15 Steel Pipe Assembly (top)	1	
69	60843	Ø15 Steel Pipe Assembly (bottom)	1	
70	60166	3/8"BSP Male Probe	1	
71	60846	3/8"Hose Assembly (2550mm)	1	
72	60292	1/2"Hose Assembly (2600mm)	1	
73	60844	Ø15 Steel Pipe Assembly	1	
74	60845	Ø15 Steel Pipe Assembly	1	
75	60848	3/8"Hose Assembly (1255mm)	1	
76	60849	3/8"Hose Assembly (755mm)	1	
77	60326	M22 Mx3/8"BSP FM Swivel Adaptor	1	
78	60456	1/4"Hose Assembly (6700mm)	1	
79	60457	1/4"Hose Assembly (3300mm)	1	
80	60275	3/8"Hose Assembly (510mm)	2	
81				
82				
83				
84	61600	3/4"BSP Fem Quick Release Coupling	1	
85				
86	KA17102	3/8"BSP Adjustable Restrictor Valve	4	
87				
88	RPC654.308051	Pipe Clamp (18-18)	3 pair	
89	RPC654.308052	Pipe Clamp Plate	8	
90				
91				
92				
93	DWS1134/1	3/8"BSP Over-centre Valve	1	
94				
95	RPH700.170616	M16x3/8"BSP M M Adaptor	2	
96				
97	68123	Hose Tray	1	1500mm machine
	68123A	Hose Tray	1	1700mm machine
	68123B	Hose Tray	1	1600mm machine
98				
99				
100				
101				
102	UC25	1/2"BSPx3/8"BSP M M Adaptor	4	
103	UC31A	3/8"BSP M M Adaptor	12	
	61266	Valve Bank Assembly Consists Of:		
104	57085/2	End Plate	1	
105	57085/6	'RH Axle Level' Section	1	
106	57085/6	'LH Axle Level' Section	1	

4.3c

STAR UNIPLUS SPARE PARTS

Machines from 2024

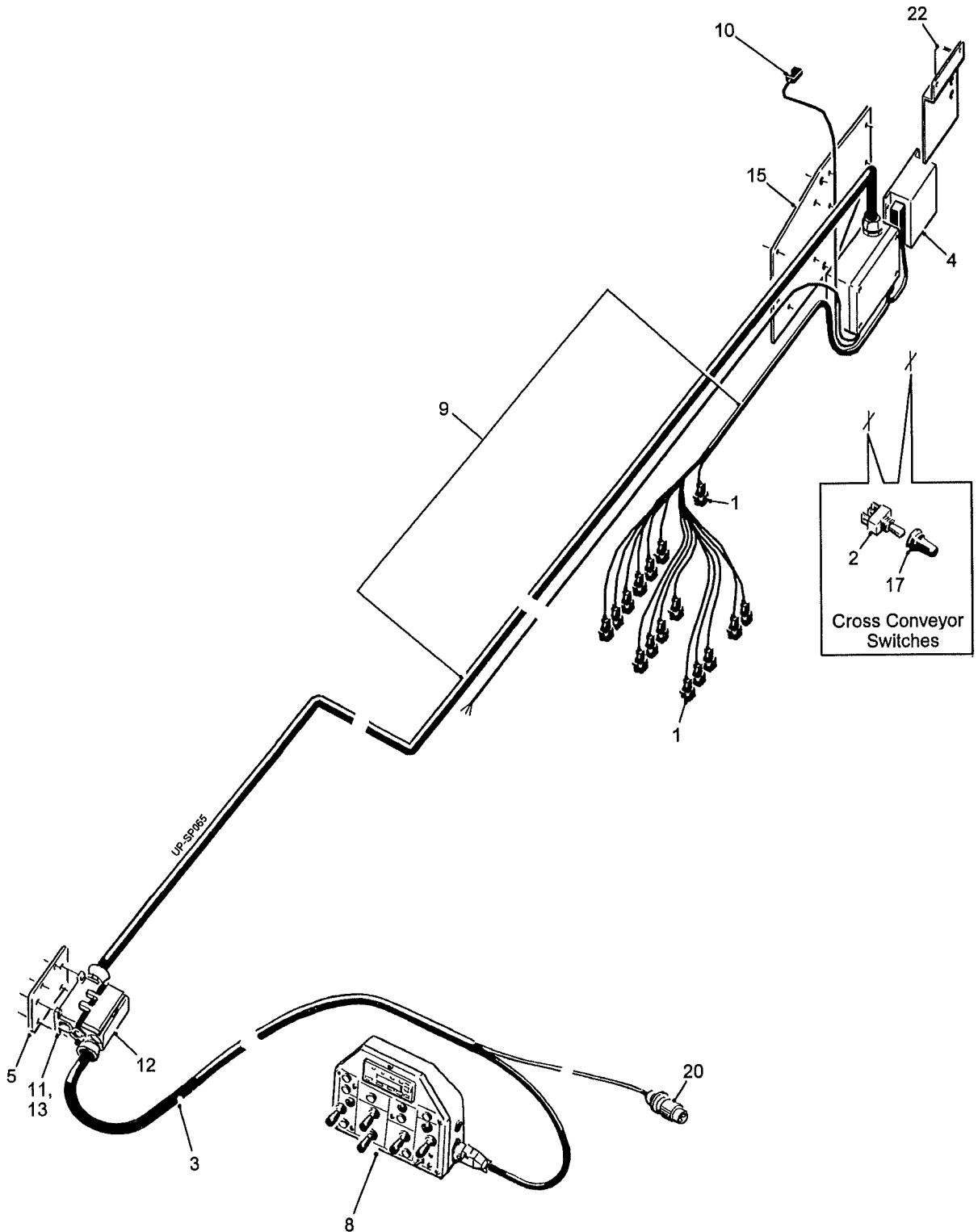
Hydraulic Assembly

Assy No 61945

Item	Part No.	Description	Qty.	Remarks
107	58051/1	'Axle Steer' Section	1	
108	57085/7	'Share Depth' Section	1	
109				
110	46285/10	'Conveyor Side Shift' Section	1	
111	46285/4	Inlet Section	1	
112	57085/5	'Cross Conveyor Motors' Section	1	
113	57085/2	End Plate	1	
	57612	Load Sensing Valve Kit Consists Of:		
114	44208	M14 Dowty Seal	3	
115	46724	1/4"BSP M F Swivel Adaptor	1	
116	44207	M14x1/4"BSP M M Adaptor	3	
117	32474	1/4"BSP MF Compact 90°Adaptor	2	
118				
119	57523	Load Sensing Valve	1	
120	57613	3/4"Fx1/4"Mx3/4"M Tee	1	
121				
122	60458	1/4"Hose Assembly (570mm)	1	

Machines from 2019

Electrical Assembly Assy No 61988



4.4a

STAR UNIPLUS SPARE PARTS

Machines from 2019

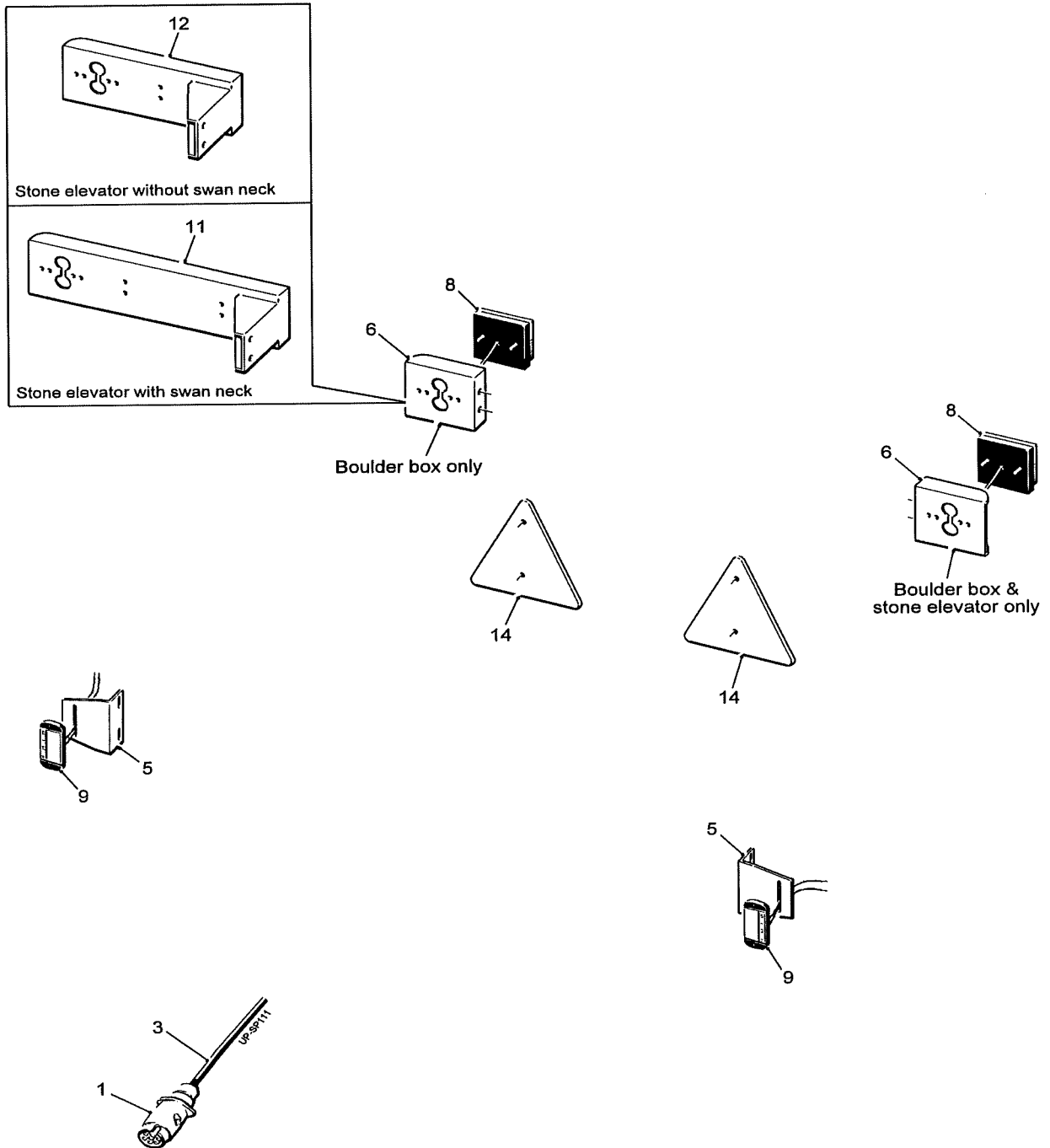
Electrical Assembly

Assy No 61988

Item	Part No.	Description	Qty.	Remarks
1	59402	2-Way Terminal Plug	a/r	
2	27468	3-Way Spring Back Switch	2	
3	-	Control Box Loom Complete	1	
4	-	Processor Module	1	
5	51257	Plug Mounting Plate	1	
6				
7				
8	61987	Control Box Assembly	1	
9	57240	Machine & Valve Loom c/w Plugs	1	
10	57325	Steering Sensor Cable c/w Plug	1	
11	-	Housing Only	1	
12	-	Housing Only	1	
13	-	Insert Only	1	
14				
15	57753A	Module Mounting Plate	1	
16				
17	61034	Switch Boot	2	
18				
19				
20	RPGMB94.01478	3-Pin 'D' Plug	1	
21				
22	68149	Processor Modue Guard	1	

Machines from 2019

Road Lights
Assy No 57241



4.5a**STAR UNIPLUS SPARE PARTS**

Machines from 2019

Road Lights

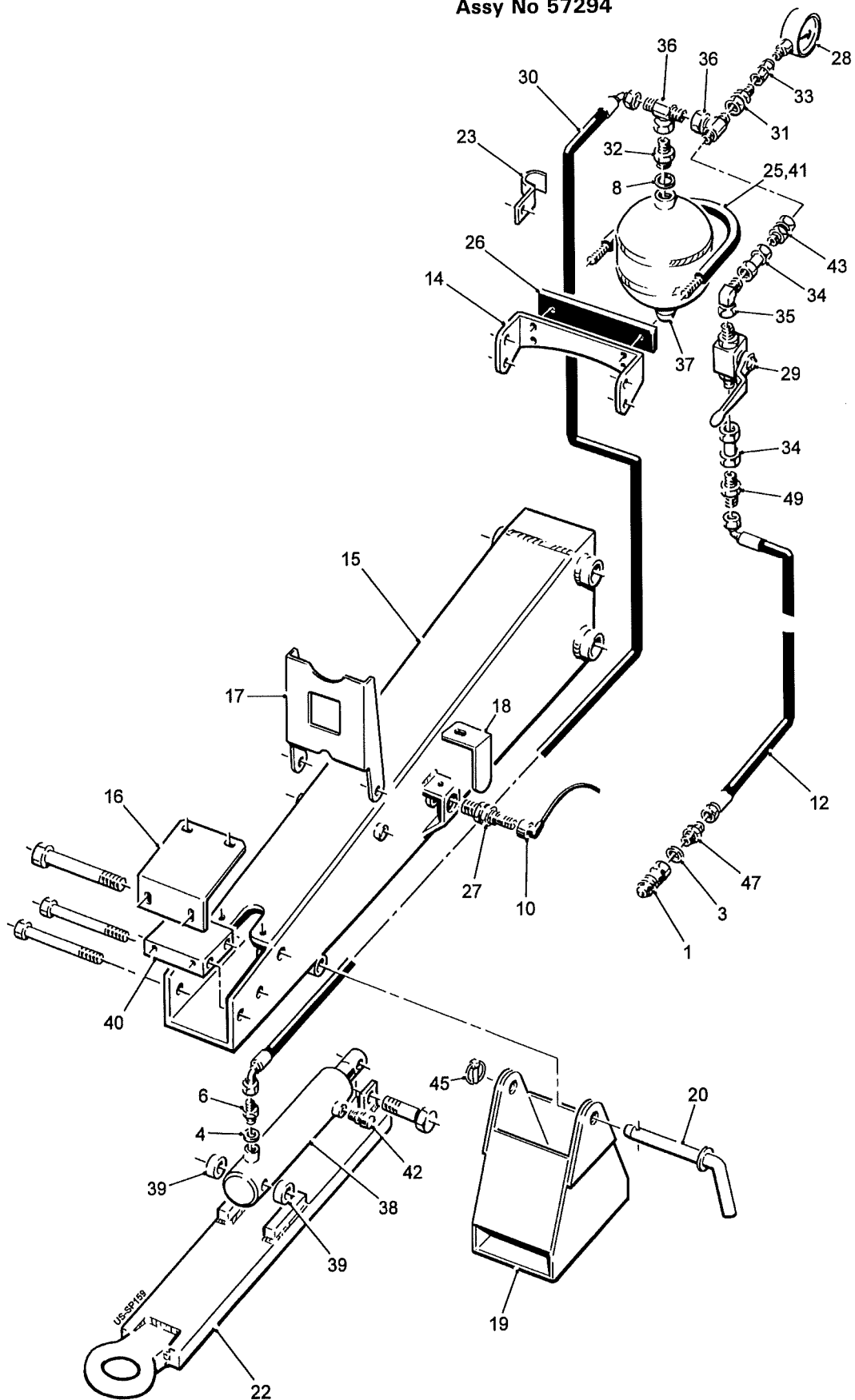
Assy No 57241

Item	Part No.	Description	Qty.	Remarks
1	10134	7 Pin Plug	1	
2				
3	11369	7 Core Cable	10.5m	
4				
5	57222A	Light Bracket Front	2	
6	57257A	Light Bracket Rear	2	Boulder box
	57257A	Light Bracket Rear	1	Stone elevator
7				
8	62217A	LED Rear Light	2	
9	62470	LED Front Light	2	
10				
11	68139	Light Bracket Rear RH	1	Stone elevator with swan neck
12	68139A	Light Bracket Rear RH	1	Stone elevator without swan neck
13				
14	RPE272.307748	Red Triangle Reflector	2	

Machines from 2019

Hydraulically Damped Drawbar

Assy No 57294



5.1a

STAR UNIPLUS SPARE PARTS

Machines from 2019

Hydraulically Damped Drawbar

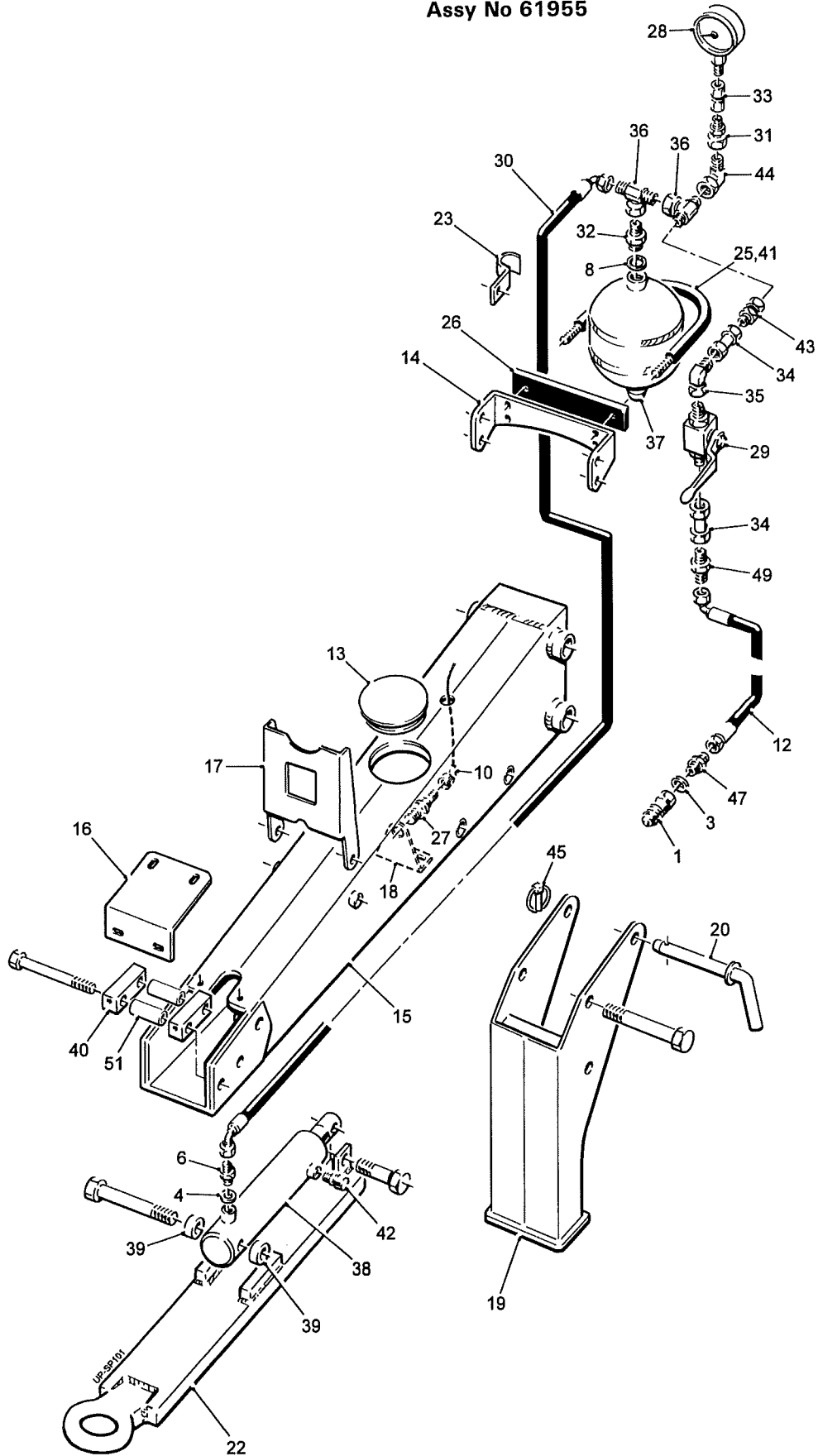
Assy No 57294

Item	Part No.	Description	Qty.	Remarks
1	10140	1/2"BSP Male Probe	1	
2				
3	11124	1/2"BSP Dowty Seal	1	
4	11125	3/8"BSP Dowty Seal	1	
5				
6	27391	3/8"BSPxØ15 Pipe M Stud Coupling	1	
7				
8	31167	M22 Dowty Seal	1	
9				
10	32037/4	90°Sensor Cable (10m)	1	
11				
12	52312	3/8"Hose Assembly (3000mm)	1	
13				
14	57365	Accumulator Bracket	1	
15	57366	Hydraulic Drawbar	1	
16	57367	Cover Plate	1	
17	61871A	PTO Support	1	
18	57990	Sensor Shield	1	
19	57182	Stand	1	
20	57183	Stand Pin	1	
21				
22	RPA610.301557	Sliding Drawbar Section	1	
23	RPC626.311691	Hose Clamp	2	
24	RPC632.308429	'Pressurised System' Decal	1	(not shown)
25	RPC700.301645	Plastic Cover	1	
26	RPC730.301681	Rubber	1	
27	RPE282.303483X/1	Proximity Sensor	1	
28	RPGMB92.03258	Pressure Gauge	1	
29	RPGMB92.04031	Safety Lock Valve	1	
30	RPH405.301659	1/2"Hose Assembly (2080mm)	1	
31	RPH510.115082	Ø15xØ8 Straight Reducer Coupling	1	
32	RPH512.122152	M22xØ15 Male Stud Coupling	1	
33	RPH516.204082	Pressure Gauge Coupling	1	
34	RPH522.100122	12L Straight Double Standpipe	2	
35	RPH532.100122	12L Adjustable Elbow	1	
36	RPH542.100152	15L M M F Tee	2	
37	RPH802.301657	Accumulator (50 bar)	1	
38	RPH872.301552	Hydraulic Ram	1	
39	RPM176.301696	Spacer	2	
40	RPM225.301555	Block	1	
41	RPM254.301644	Strap	1	
42	RPP500.202000	1/8"BSP Muffler	1	
43	RPH510.115122	12L Mx15L FM Reducer	1	
44				
45	REK215	Linchpin	1	
46				
47	UC25	1/2"BSPx3/8"BSP M M Adaptor	1	
48				
49	W0847	12Lx3/8"BSP M M Adaptor	1	

Machines from 2019

Hydraulically Damped Drawbar

Assy No 61955



5.1a

STAR UNIPLUS SPARE PARTS

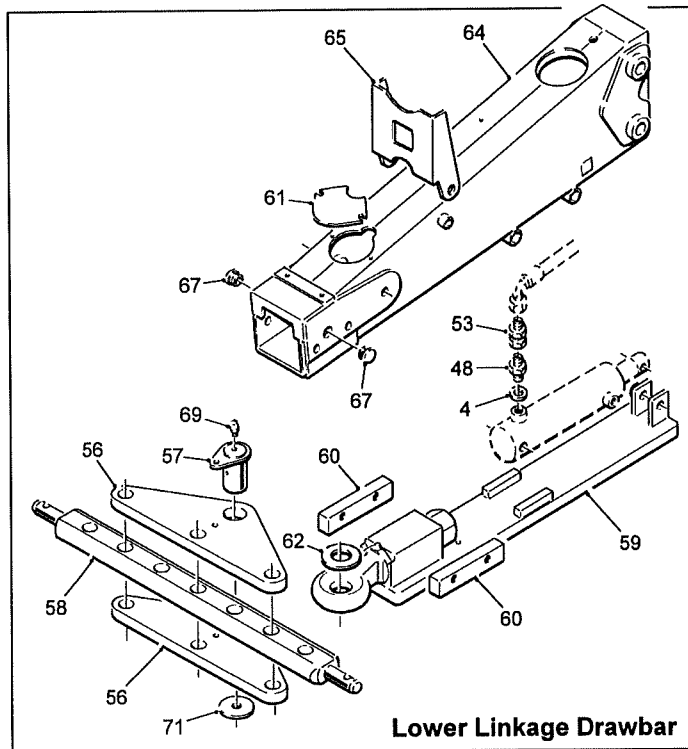
Machines from 2019

Hydraulically Damped Drawbar

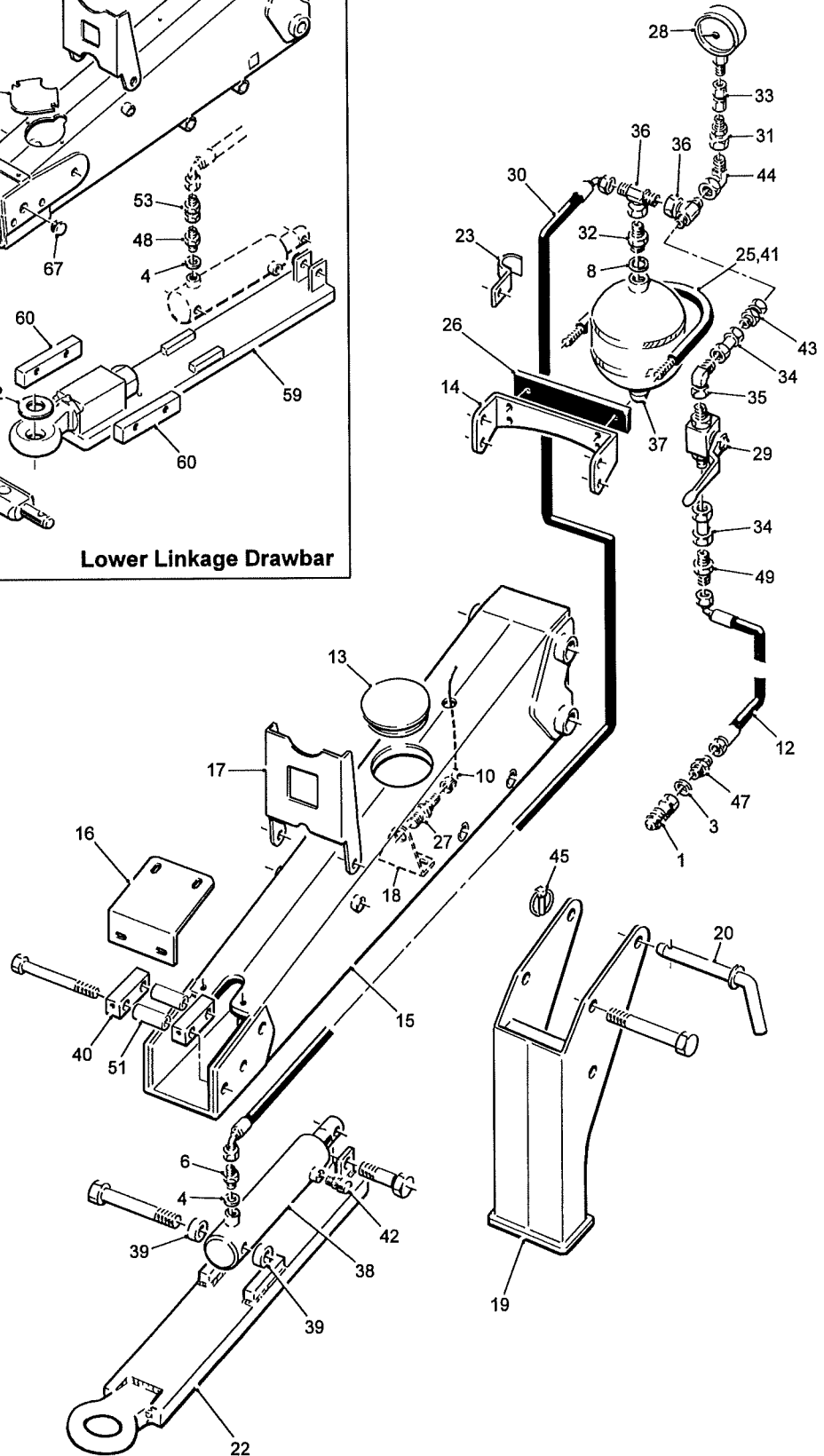
Assy No 61955

Item	Part No.	Description	Qty.	Remarks
1	10140	1/2"BSP Male Probe	1	
2				
3	11124	1/2"BSP Dowty Seal	1	
4	11125	3/8"BSP Dowty Seal	1	
5				
6	27391	3/8"BSPxØ15 Pipe M Stud Coupling	1	
7				
8	11123	3/4"BSP Dowty Seal	1	Was 31167
9				
10	32037/4	90°Sensor Cable (10m)	1	
11				
12	52312	3/8"Hose Assembly (3000mm)	1	
13	61900	Blanking Plug	1	
14	57365	Accumulator Bracket	1	
15	61891	Drawbar	1	
16	57367	Cover Plate	1	
17	61871A	PTO Support	1	
18	61892	Sensor Mounting	1	
19	61893	Stand	1	
20	57183	Stand Pin	1	
21				
22	RPA610.301557	Sliding Drawbar Section	1	
23	RPC626.311691	Hose Clamp	2	
24	RPC632.308429	'Pressurised System' Decal	1	(not shown)
25	RPC700.301645	Plastic Cover	1	
26	RPC730.301681	Rubber	1	
27	RPE282.303483X/1	Proximity Sensor	1	
28	RPGMB92.03258	Pressure Gauge	1	
29	RPGMB92.04031	Safety Lock Valve	1	
30	RPH405.301659	1/2"Hose Assembly (2080mm)	1	
31	RPH510.115082	Ø15xØ8 Straight Reducer Coupling	1	
32	60963	3/4"BSPxØ15 Male Stud Coupling	1	Was RPH512.122152
33	RPH516.204082	Pressure Gauge Coupling	1	
34	RPH522.100122	12L Straight Double Standpipe	2	
35	RPH532.100122	12L Adjustable Elbow	1	
36	RPH542.100152	15L M M F Tee	2	
37	RPH802.301657	3/4"BSP Accumulator (50 bar)	1	Accumulator was M22
38	RPH872.301552	Hydraulic Ram	1	
39	RPM176.301696	Spacer	2	
40	61897	Block	2	
41	RPM254.301644	Strap	1	
42	RPP500.202000	1/8"BSP Muffler	1	
43	RPH510.115122	12L Mx15L FM Reducer	1	
44	RPH532.100152	15L Adjustable Elbow	1	
45	REK215	Linchpin	1	
46				
47	UC25	1/2"BSPx3/8"BSP M M Adaptor	1	
48				
49	W0847	12Lx3/8"BSP M M Adaptor	1	
50				
51	SS030017/072	Steel Spacer	2	

Hydraulically Damped Drawbar



UP-SP121



5.1a

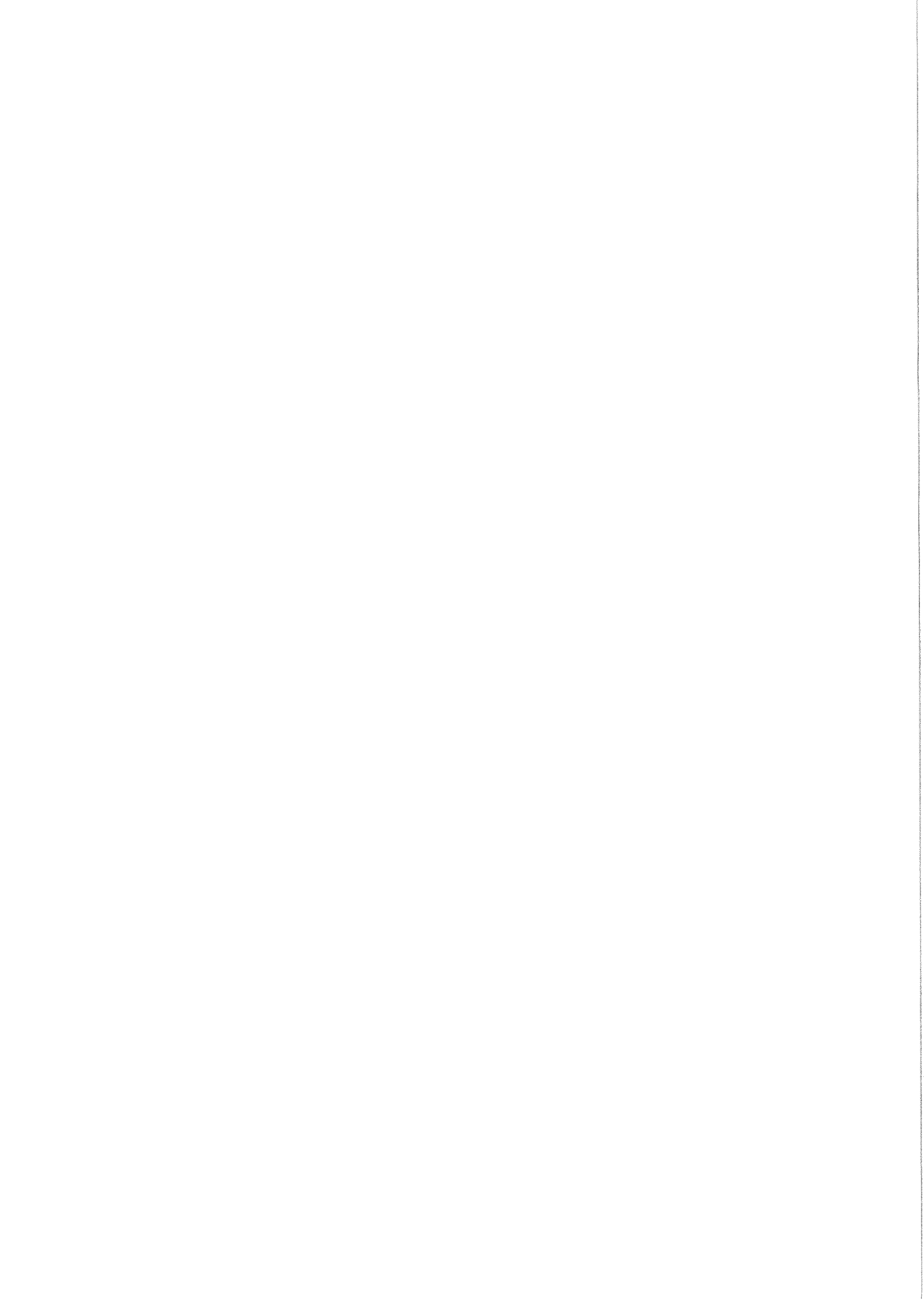
STAR UNIPLUS SPARE PARTS

Hydraulically Damped Drawbar

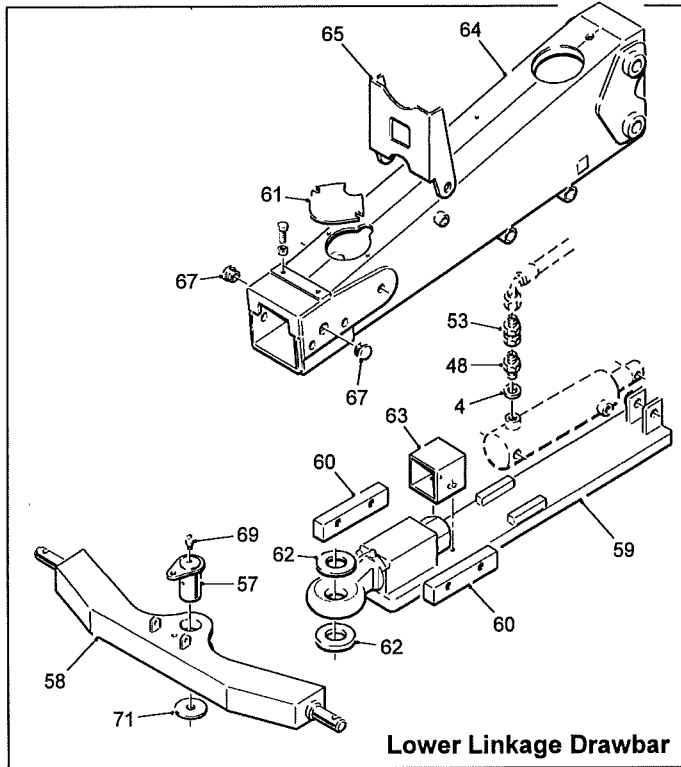
Item	Part No.	Description	Qty.	Remarks
1	10140	1/2" BSP Male Probe	1	
2				
3	11124	1/2" BSP Dowty Seal	1	
4	11125	3/8" BSP Dowty Seal	1	
5				
6	27391	3/8" BSPxØ15 Pipe M Stud Coupling	1	
7				
8	11123	3/4" BSP Dowty Seal	1	
9				
10	32037/4	90° Sensor Cable (10m)	1	
11				
12	52312	3/8" Hose Assembly (3000mm)	1	
13	61900	Blanking Plug	1	
14	57365	Accumulator Bracket	1	
15	61891	Drawbar	1	
16	57367	Cover Plate	1	
17	61871A	PTO Support	1	
18	61892	Sensor Mounting	1	
19	61893	Stand	1	
20	57183	Stand Pin	1	
21				
22	RPA610.301557	Sliding Section	1	
23	RPC626.311691	Hose Clamp	2	
24	RPC632.308429	'Pressurised System' Decal	1	(not shown)
25	RPC700.301645	Plastic Cover	1	
26	RPC730.301681	Rubber	1	
27	RPE282.303483X/1	Proximity Sensor	1	
28	RPGMB92.03258	Pressure Gauge	1	
29	RPGMB92.04031	Safety Lock Valve	1	
30	RPH405.301659	1/2" Hose Assembly (2080mm)	1	
31	RPH510.115082	Ø15xØ8 Straight Reducer Coupling	1	
32	60963	3/4" BSPxØ15 Male Stud Coupling	1	
33	RPH516.204082	Pressure Gauge Coupling	1	
34	RPH522.100122	12L Straight Double Standpipe	2	
35	RPH532.100122	12L Adjustable Elbow	1	
36	RPH542.100152	15L M M F Tee	2	
37	RPH802.301657	3/4" BSP Accumulator (50 bar)	1	
38	RPH872.301552	Hydraulic Ram	1	
39	RPM176.301696	Spacer	2	
40	61897	Block	2	
41	RPM254.301644	Strap	1	
42	RPP500.202000	1/8" BSP Muffler	1	
43	RPH510.115122	12L Mx15L FM Reducer	1	
44	RPH532.100152	15L Adjustable Elbow	1	
45	REK215	Linchpin	1	
46				
47	UC25	1/2" BSPx3/8" BSP M M Adaptor	1	
48	UC31A	3/8" BSP M M Adaptor	1	
49	W0847	12Lx3/8" BSP M M Adaptor	1	
50				
51	SS030017/072	Steel Spacer	2	
52				
53	KA17325	3/8" BSPFx1/2" BSPM Swivel Adaptor	1	
54				
55				

Hydraulically Damped Drawbar

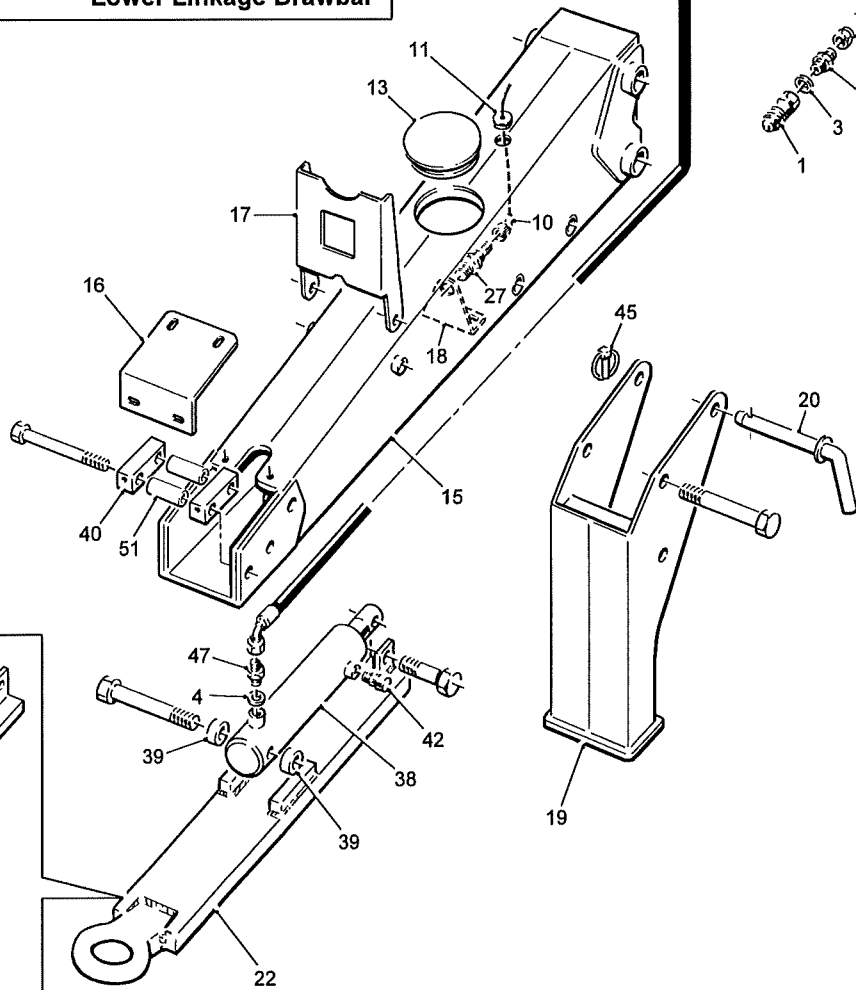
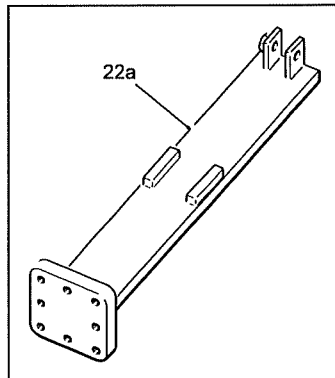
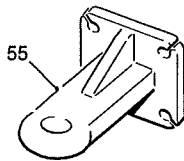
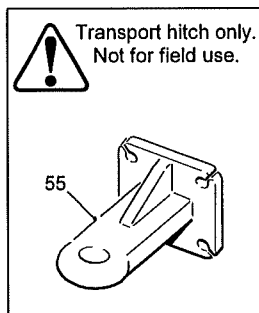
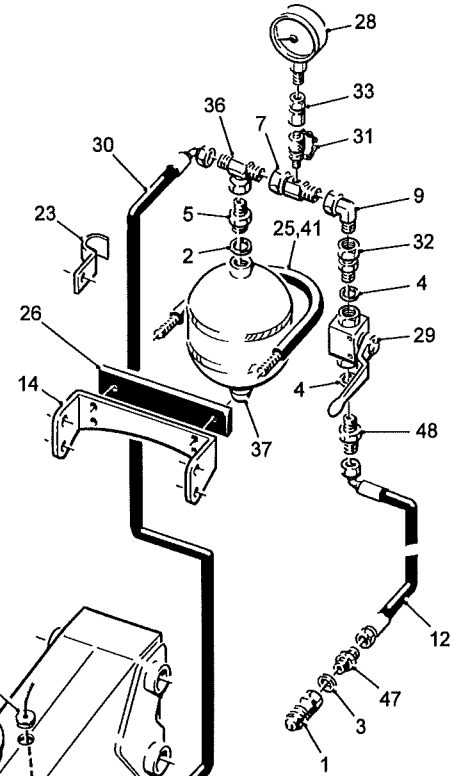
Item	Part No.	Description	Qty.	Remarks
56	58293	Lower Link Plate	2	
57	58294	Pivot Pin	1	
58	58295	CAT2 Lower Link Drawbar	1	
	RFRE0517	CAT3 Lower Link Drawbar	1	
59	58297	Sliding Section	1	
60	58298	Stop Plate	2	
61	58300	Cover	1	
62	56121	Thrust Washer	1	
63				
64	68179	Drawbar	1	
65	68181	PTO Support	1	
66				
67	37391	Plastic Insert	2	
68				
69	RPC648.081250	M8 Grease Nipple Straight	1	
70				
71	SS070017/005	Steel Spacer	1	



Hydraulically Damped Drawbar



UP-SP125

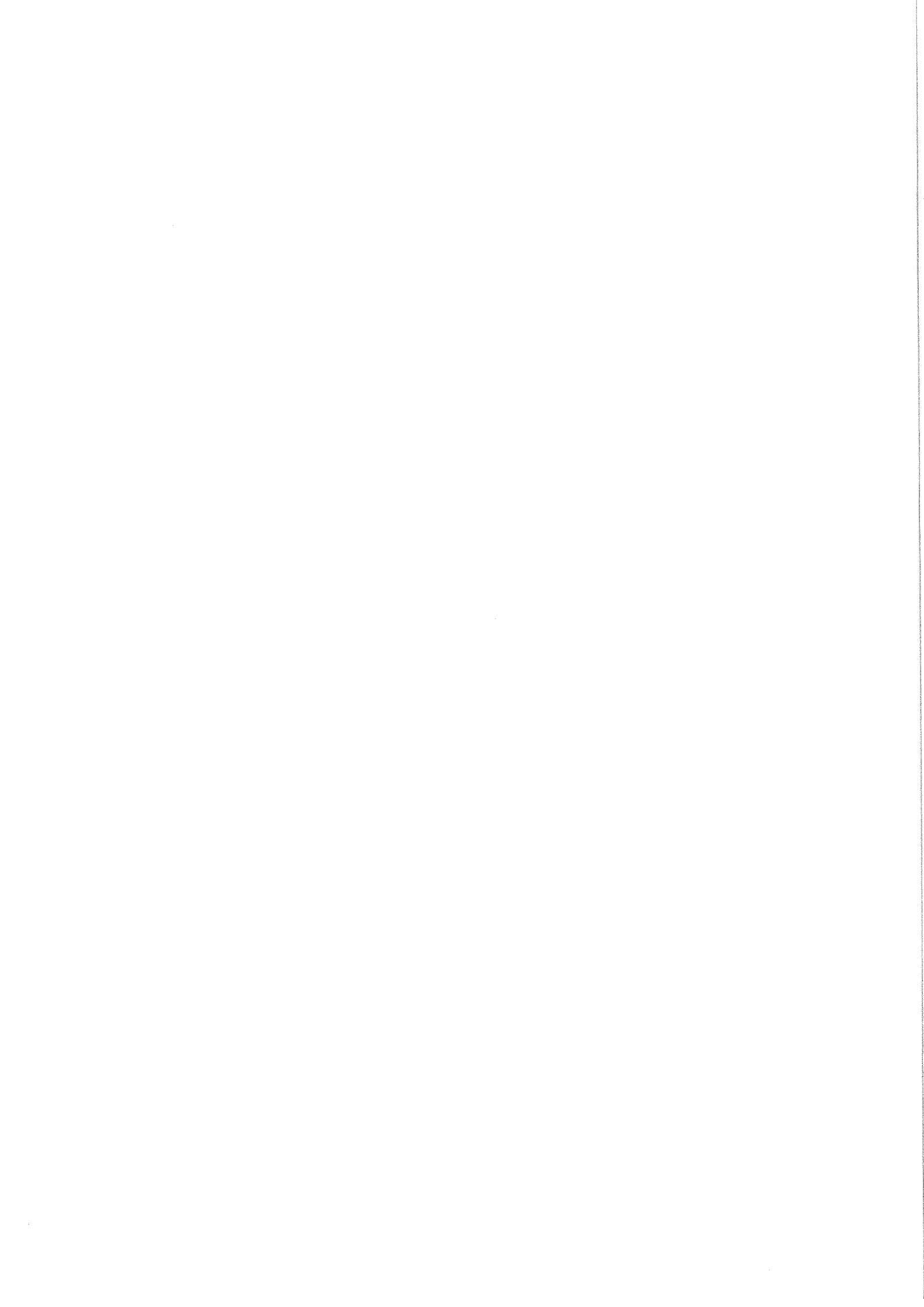


Hydraulically Damped Drawbar

Item	Part No.	Description	Qty.	Remarks
1	10140	1/2"BSP Male Probe	1	
2	11123	3/4"BSP Dowty Seal	1	
3	11124	1/2"BSP Dowty Seal	1	
4	11125	3/8"BSP Dowty Seal	3	
5	11295	1/2"BSPx3/4"BSP M M Adaptor	1	
6				
7	60161A	1/2"BSP M F Gauge Port	1	
8				
9	32475	1/2"BSP Compact 90°Adaptor	1	
10	32037/4	90°Sensor Cable (10m)	1	
11	61901	Ø20 Grommet	1	
12	52312	3/8"Hose Assembly (3000mm)	1	
13	61900	Blanking Plug	1	
14	57365	Accumulator Bracket	1	
15	61891	Drawbar	1	
16	57367	Cover Plate	1	
17	61871A	PTO Support	1	
18	61892	Sensor Mounting	1	
19	61893	Stand	1	
20	57183	Stand Pin	1	
21				
22	RPA610.301557	Sliding Section	1	
22a	68116	Sliding Section	1	
23	RPC626.311691	Hose Clamp	2	
24	RPC632.308429	'Pressurised System' Decal	1	(not shown)
25	RPC700.301645	Plastic Cover	1	
26	RPC730.301681	Rubber	1	
27	RPE282.303483X/1	Proximity Sensor	1	
28	46458	Pressure Gauge	1	
29	DW202046270	3/8"BSP Safety Lock Valve	1	
30	60437	1/2"Hose Assembly (2100mm)	1	
31	42305	1/8"BSP Gauge Port	1	
32	44044	3/8"BSPMx1/2"BSPF Swivel Adaptor	1	
33	46960	Pressure Gauge Adaptor	1	
34				
35				
36	37172	1/2"BSP M M F Tee	1	
37	RPH802.301657	3/4"BSP Accumulator (50 bar)	1	
38	RPH872.301552	Hydraulic Ram	1	
39	RPM176.301696	Spacer	2	
40	61897	Block	2	
41	RPM254.301644	Strap	1	
42	RPP500.202000	1/8"BSP Muffler	1	
43				
44				
45	REK215	Linchpin	1	
46				
47	UC25	1/2"BSPx3/8"BSP M M Adaptor	2	
48	UC31A	3/8"BSP M M Adaptor	1	
49				
50				
51	SS030017/072	Steel Spacer	2	
52				
53	KA17325	3/8"BSPFx1/2"BSPM Swivel Adaptor	1	
54				

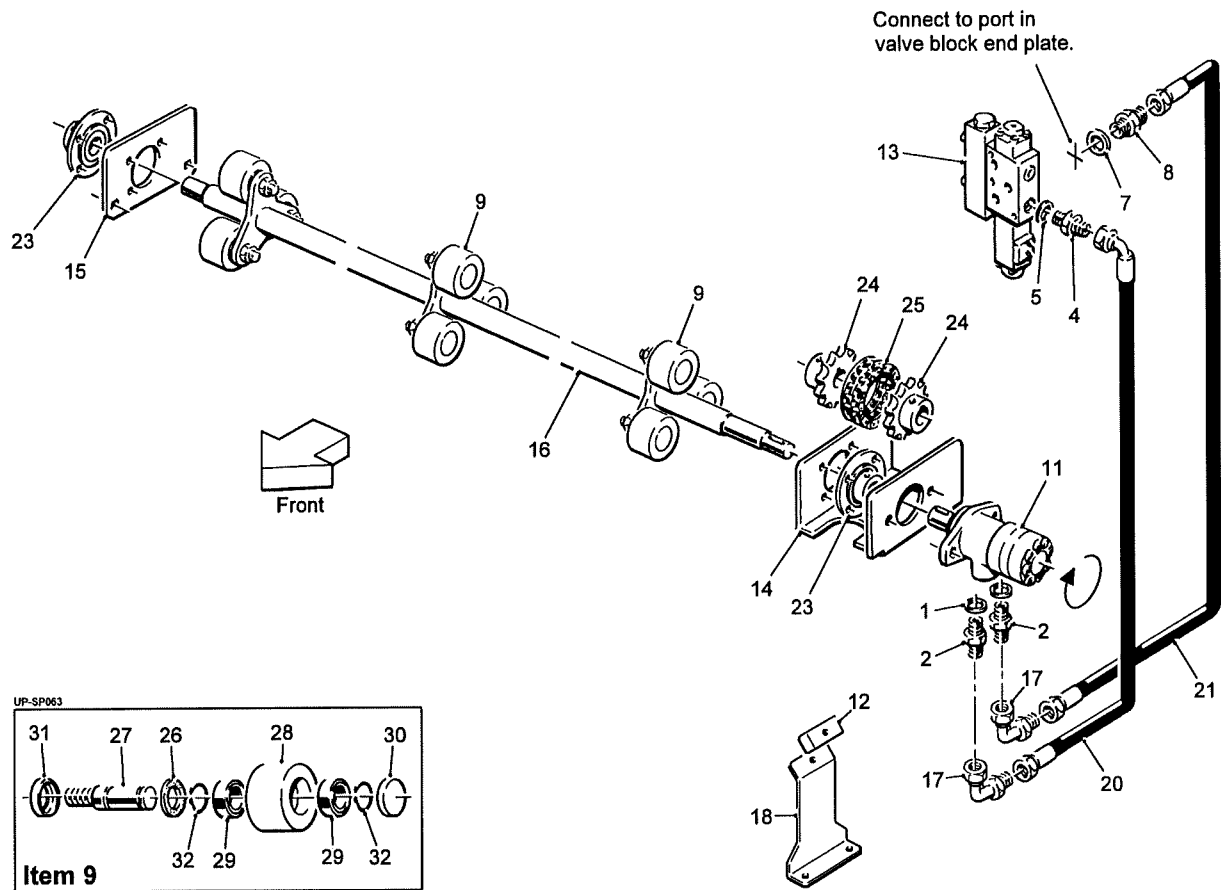
Hydraulically Damped Drawbar

Item	Part No.	Description	Qty.	Remarks
55	68122	Transport Hitch	1	
56				
57	58294	Pivot Pin	1	
58	68203	CAT3 Lower Link Drawbar	1	
59	58297	Sliding Section	1	
60	58298	Stop Plate	2	
61	58300	Cover	1	
62	68204	Thrust Washer	2	
63	58299	Extension Box	1	
64	68179	Drawbar	1	
65	68181	PTO Support	1	
66				
67	37391	Plastic Insert	2	
68				
69	RPC648.081250	M8 Grease Nipple Straight	1	
70				
71	SS070017/005	Steel Spacer	1	



Machines from 2019

Rear Hydraulic Agitator Assy No 61947



5.2a

STAR UNIPLUS SPARE PARTS

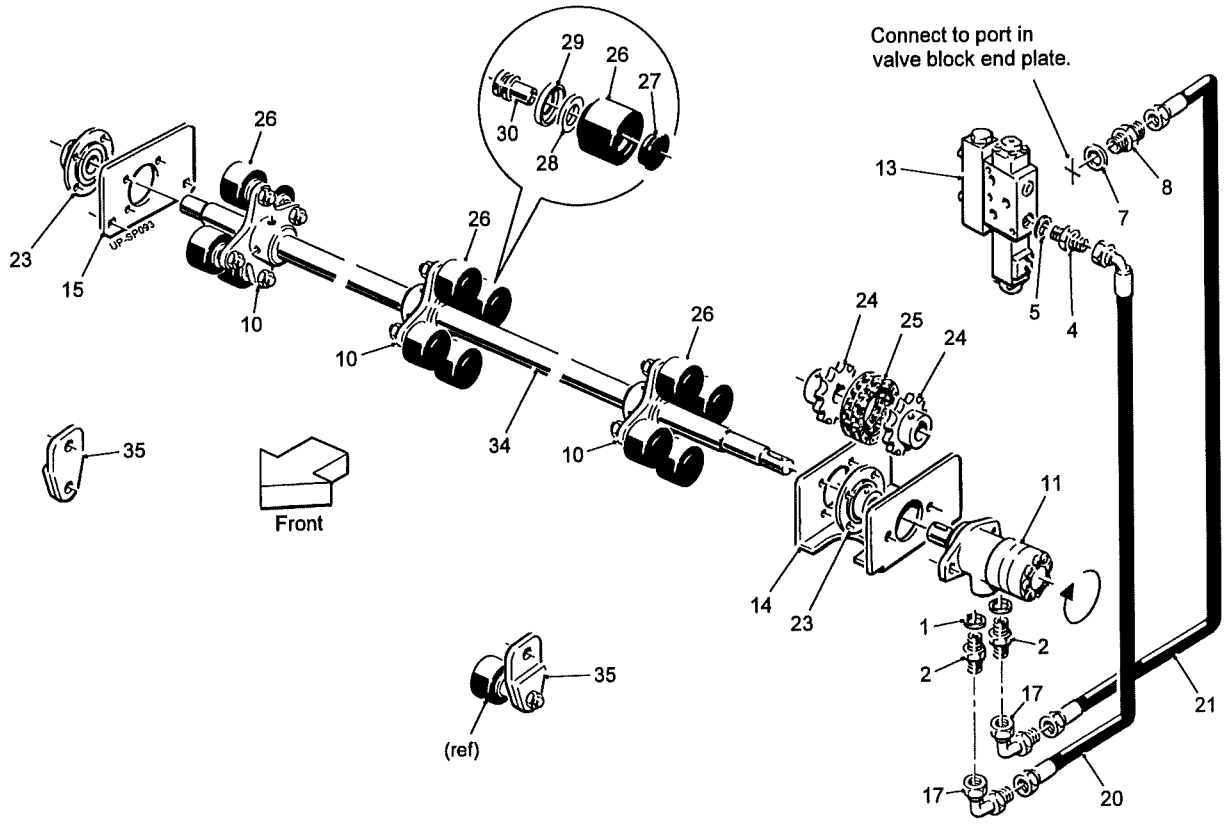
Machines from 2019

Rear Hydraulic Agitator

Assy No 61947

Item	Part No.	Description	Qty.	Remarks
1	11124	1/2"BSP Dowty Seal	2	
2	12315	1/2"BSP M M Adaptor	2	
3				
4	27459	M18x1/2"BSP M M Adaptor	1	
5	27461	M18 Dowty Seal	1	
6				
7	31167	M22 Dowty Seal	1	
8	31168	M22x1/2"BSP M M Adaptor	1	
9	37510	Roller Assembly	9	(see list at end)
10				
11	59108	Hydraulic Motor	1	
12	59295	Pipe Clamp	1	
13	57217	Valve Section Complete	1	
14	57684	Motor Plate	1	
15	57685	Bearing Plate	1	
16	61731/1500	Agitator Shaft (1500mm)	1	
	61731/1700	Agitator Shaft (1700mm)	1	
17	26086	1/2"BSP M F Swept 90° Adaptor	2	
18	68046	Hose Support	1	
19				
20	60250	1/2"Hose Assembly (1300mm)	1	
21	60346	1/2"Hose Assembly (1300mm)	1	
22				
23	MFC35	Bearing	2	
24	RPM182.300350	12T 3/4"Pitch Sprocket	2	
25	RPT738.600012	3/4"Pitch Duplex Drive Chain	1	
	37510	Roller Assembly Consists Of:		
26	0000300504	Felt Seal	1	
27	11265	Roller Spindle	1	
28	37508	Ø75 Steel Roller	1	
29	6005RS	Bearing	2	
30	PH407	Seal	1	
31	PH408	Seal	1	
32	PS843	Circlip	2	

Rear Hydraulic Agitator
Assy No 61947



5.2a

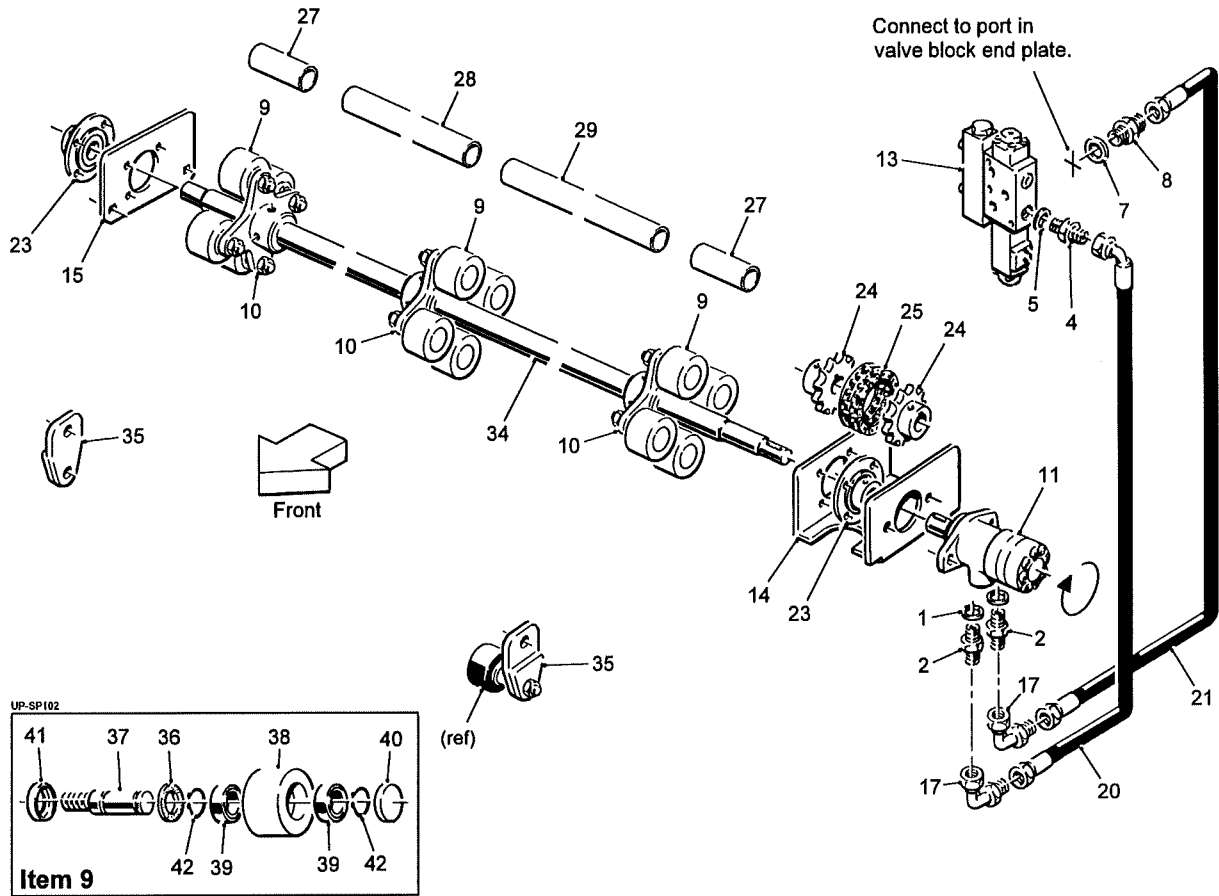
STAR UNIPLUS SPARE PARTS

Rear Hydraulic Agitator

Assy No 61947

Item	Part No.	Description	Qty.	Remarks
1	11124	1/2"BSP Dowty Seal	2	
2	12315	1/2"BSP M M Adaptor	2	
3				
4	27459	M18x1/2"BSP M M Adaptor	1	
5	27461	M18 Dowty Seal	1	
6				
7	31167	M22 Dowty Seal	1	
8	31168	M22x1/2"BSP M M Adaptor	1	
9				
10	57921	Roller Mounting Plate	3	
11	51633	Hydraulic Motor (32cc)	1	Was 59108 (25cc)
12				
13	57217	Valve Section Complete	1	
14	57684	Motor Plate	1	
15	57685	Bearing Plate	1	
16				
17	26086	1/2"BSP M F Swept 90° Adaptor	2	
18				
19				
20	60250	1/2"Hose Assembly (1300mm)	1	
21	60346	1/2"Hose Assembly (1300mm)	1	
22				
23	MFC35	Bearing	2	
24	RPM182.300350	12T 3/4"Pitch Sprocket	2	
25	RPT738.600012	3/4"Pitch Duplex Drive Chain	1	
26	RPC700.300148	Ø75 Plain Roller c/w Bearings	12	
27	RPC620.303070	Cap	12	
28	RPGM070.00446	Felt Seal	12	
29	RPGM089.00565	Roller Shield	12	
30	RPM148.303071	Pivot Bush	12	
31				
32				
33				
34	68064/1500	Agitator Shaft (1500mm)	1	
	68064/1700	Agitator Shaft (1700mm)	1	
35	68066	Drop Down Roller Plate	2	

Rear Hydraulic Agitator
 Assy No 61947



5.2a

STAR UNIPLUS SPARE PARTS

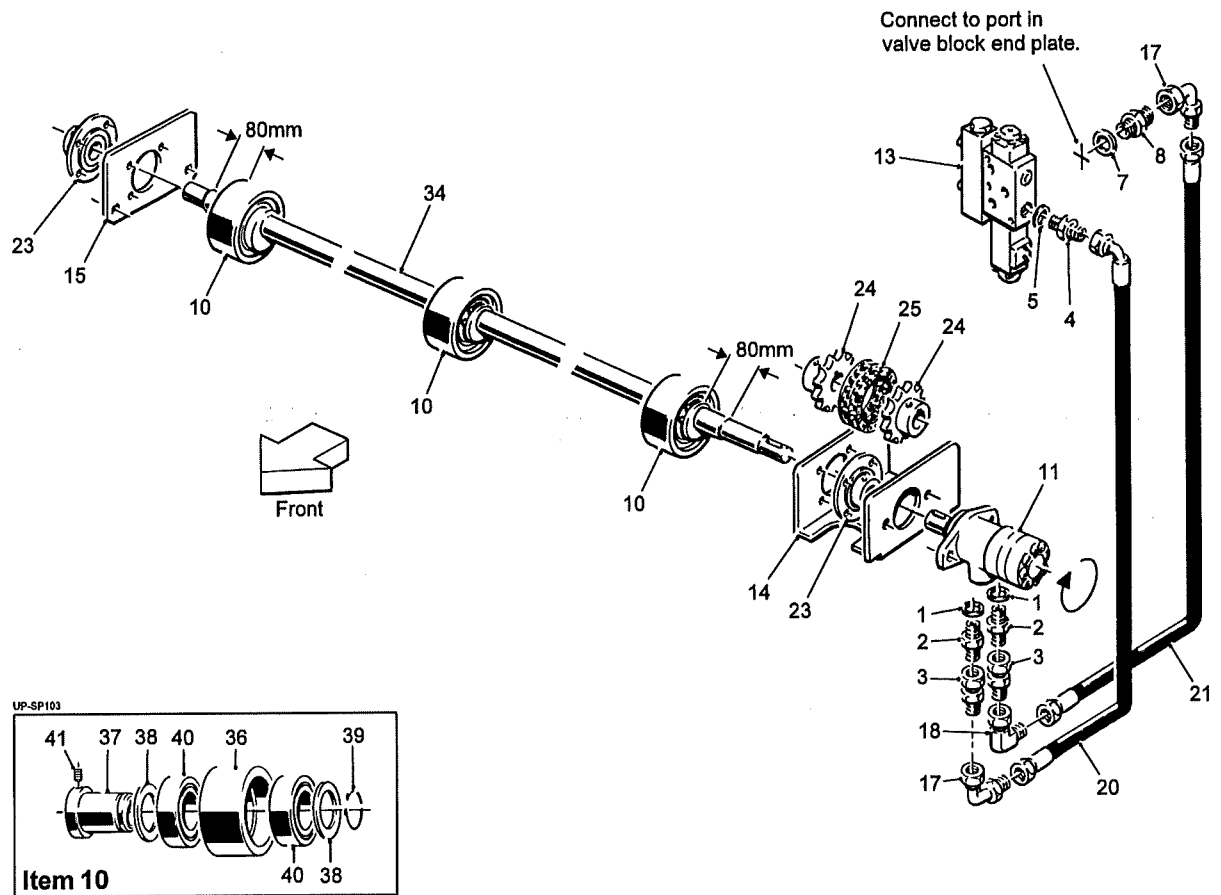
Rear Hydraulic Agitator

Assy No 61947

Item	Part No.	Description	Qty.	Remarks
1	11124	1/2"BSP Dowty Seal	2	
2	12315	1/2"BSP M M Adaptor	2	
3				
4	27459	M18x1/2"BSP M M Adaptor	1	
5	27461	M18 Dowty Seal	1	
6				
7	31167	M22 Dowty Seal	1	
8	31168	M22x1/2"BSP M M Adaptor	1	
9	37510	Ø75 Steel Roller Assembly	12	(see list at end)
10	57921	Roller Mounting Plate	3	
11	51633	Hydraulic Motor	1	
12				
13	57217	Valve Section Complete	1	
14	57684	Motor Plate	1	
15	57685	Bearing Plate	1	
16				
17	26086	1/2"BSP M F Swept 90° Adaptor	2	
18				
19				
20	60250	1/2"Hose Assembly (1300mm)	1	
21	60346	1/2"Hose Assembly (1300mm)	1	
22				
23	MFC35	Bearing	2	
24	RPM182.300350	12T 3/4"Pitch Sprocket	2	
25	RPT738.600012	3/4"Pitch Duplex Drive Chain	1	
26				
27	SS060054/150	Steel Spacer	2	1500mm machine
28	SS060054/522	Steel Spacer	1	1500mm machine
29	SS060054/647	Steel Spacer	1	1500mm machine
30				
31				
32				
33				
34	68064/1500	Agitator Shaft	1	1500mm machine
	68064/1700	Agitator Shaft	1	1700mm machine
35	68066	Drop Down Roller Plate	2	
	37510	Roller Assembly Consists Of:		
36	0000300504	Felt Seal	1	
37	11265	Roller Spindle	1	
38	37508	Ø75 Steel Roller	1	
39	6005RS	Bearing	2	
40	PH407	Seal	1	
41	PH408	Seal	1	
42	PS843	Circlip	2	

Machines from Serial No. UN270

Rear Hydraulic Agitator Assy No 68133



5.2a

STAR UNIPLUS SPARE PARTS

Machines from Serial No. UN270

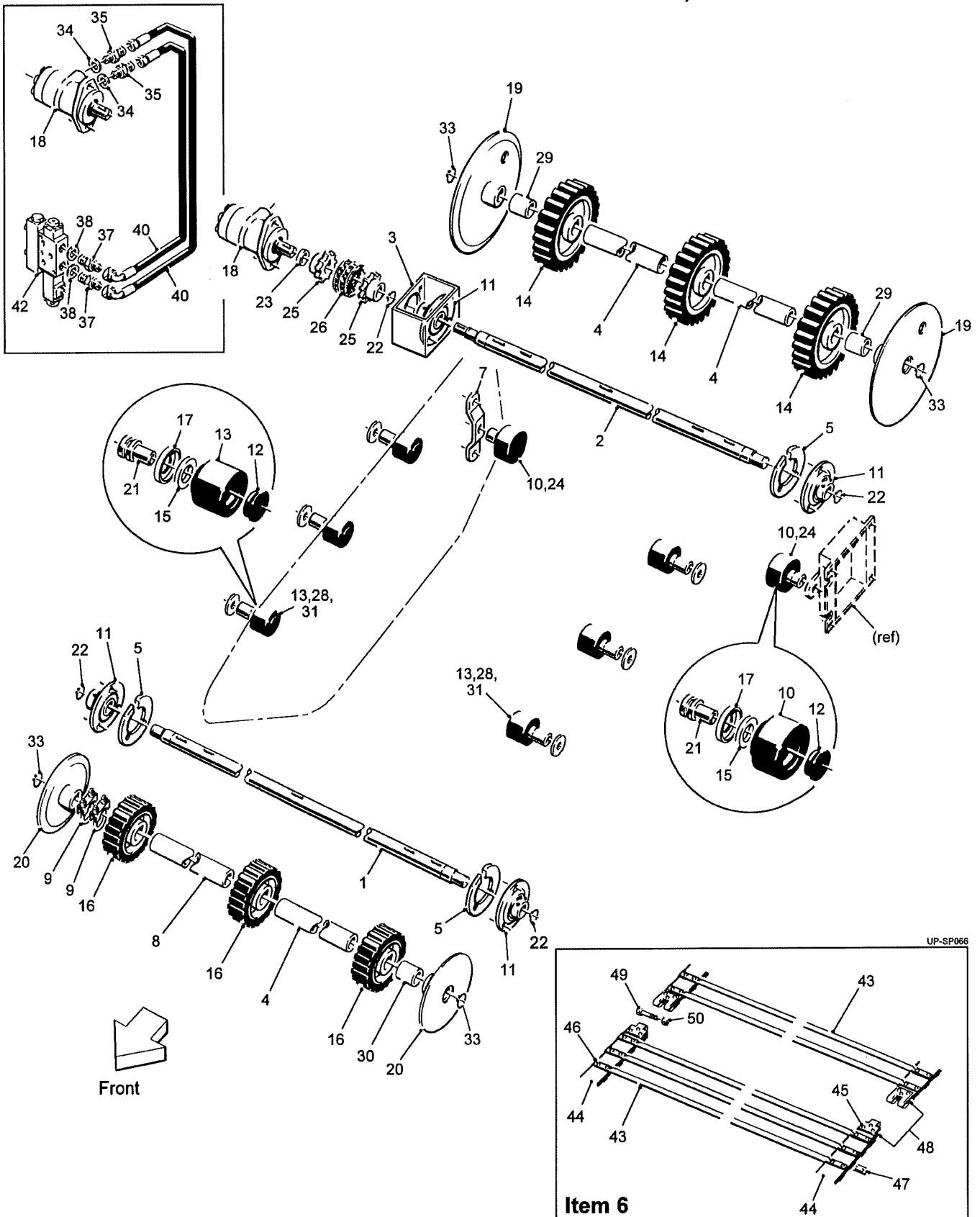
Rear Hydraulic Agitator

Assy No 68133

Item	Part No.	Description	Qty.	Remarks
1	11124	1/2"BSP Dowty Seal	2	
2	12315	1/2"BSP M M Adaptor	2	
3	12602	1/2"BSP M F Swivel Adaptor	2	
4	27459	M18x1/2"BSP M M Adaptor	1	
5	27461	M18 Dowty Seal	1	
6				
7	31167	M22 Dowty Seal	1	
8	31168	M22x1/2"BSP M M Adaptor	1	
9				
10	44175	Eccentric Roller Assembly	3	(see list at end)
11	59108	Hydraulic Motor	1	
12				
13	57217	Valve Section Complete	1	
14	57684	Motor Plate	1	
15	57685	Bearing Plate	1	
16				
17	26086	1/2"BSP M F Swept 90° Adaptor	2	
18	32475	1/2"BSP M F Compact 90° Adaptor	1	
19				
20	60250	1/2"Hose Assembly (1300mm)	1	
21	60346	1/2"Hose Assembly (1300mm)	1	
22				
23	MFC35	Bearing	2	
24	RPM182.300350	12T 3/4"Pitch Sprocket	2	
25	RPT738.600012	3/4"Pitch Duplex Drive Chain	1	
26				
27				
28				
29				
30				
31				
32				
33				
34	61531B	Agitator Shaft	1	1500mm machine
	61531A	Agitator Shaft	1	1700mm machine
	61531	Agitator Shaft	1	1600mm machine
	44175	Eccentric Roller Assembly		
		Consists Of:		
36	44164	Roller	1	
37	44165	Hub	1	
38	44167	Washer	2	
39	44176	Circlip	1	
40	6012RS	Bearing	2	
41	22018008/010	M8 Grub Screw	1	

Machines from 2019

Vari-Flow Assembly Assy No 61909



5.3a

STAR UNIPLUS SPARE PARTS

Machines from 2019

Vari-Flow Assembly

Assy 61909

Item	Part No.	Description	Qty.	Remarks
1	57258A	Front Roller Shaft (1700mm)	1	
	57258B	Front Roller Shaft (1500mm)	1	
2	57259A	Rear Roller Shaft (1700mm)	1	
	57259B	Rear Roller Shaft (1500mm)	1	
3	57260	Motor Mounting	1	
4	57261A	Spacer Tube (1700mm)	3	
	57261B	Spacer Tube (1500mm)	3	
5	57262	Bearing Spacer Plate	3	
6	57700A	Web Assembly (1700mm)	1	(see list at end)
	57700B	Web Assembly (1500mm)	1	(see list at end)
7	57265	Roller Bracket	1	
8	57443A	Spacer Tube (1700mm)	1	
	57443B	Spacer Tube (1500mm)		
9	58122	Ø35 Clamp Complete	2	
10	RPC700.300147	Ø95 Plain Roller c/w Bearings	2	
11	RPB210.022062	Bearing	4	
12	RPC620.303070	Cap	8	
13	RPC700.300148	Ø75 Plain Roller c/w Bearings	6	
14	RPC700.302947	Drive Roller	3	
15	RPGM070.00446	Felt Seal	8	
16	RPGM076.00823A	Front Roller (10mm keyway)	3	
17	RPGM089.00565	Roller Shield	8	
18	RPH850.302181	Hydraulic Motor	1	
19	RPM124.303188	Rear Flange	2	
20	RPM124.303321	Front Flange	2	
21	RPM148.303071	Pivot Bush	8	
22	RPF200.030200	Ø30 External Circlip	4	
23	RPM176.303034	5mm Spacer	1	
24	RPM176.306318	30mm Spacer	2	
25	RPM182.303035	12T 3/4"Pitch Sprocket	2	
26	RPT738.600012	3/4"Pitch Duplex Chain	1	
27				
28	SS040017/045	Steel Spacer	6	
29	SS042036/051	Steel Spacer	2	
30	SS042036/065	Steel Spacer	1	
31	SS070017/005	Steel Spacer	6	
32				
33	W0118	Ø35 External Circlip	4	
		Hydraulic Components Consist Of:		
34	11124	1/2"BSP Dowty Seal	2	
35	12315	1/2"BSP M M Adaptor	2	
36				
37	27459	M18x1/2"BSP M M Adaptor	2	
38	27461	M18 Dowty Seal	2	
39				
40	43207	1/2"Hose Assembly (2700mm)	2	
41				
42	57444	Valve Slice Complete	1	

STAR UNIPLUS SPARE PARTS**5.3b**

Machines from 2019

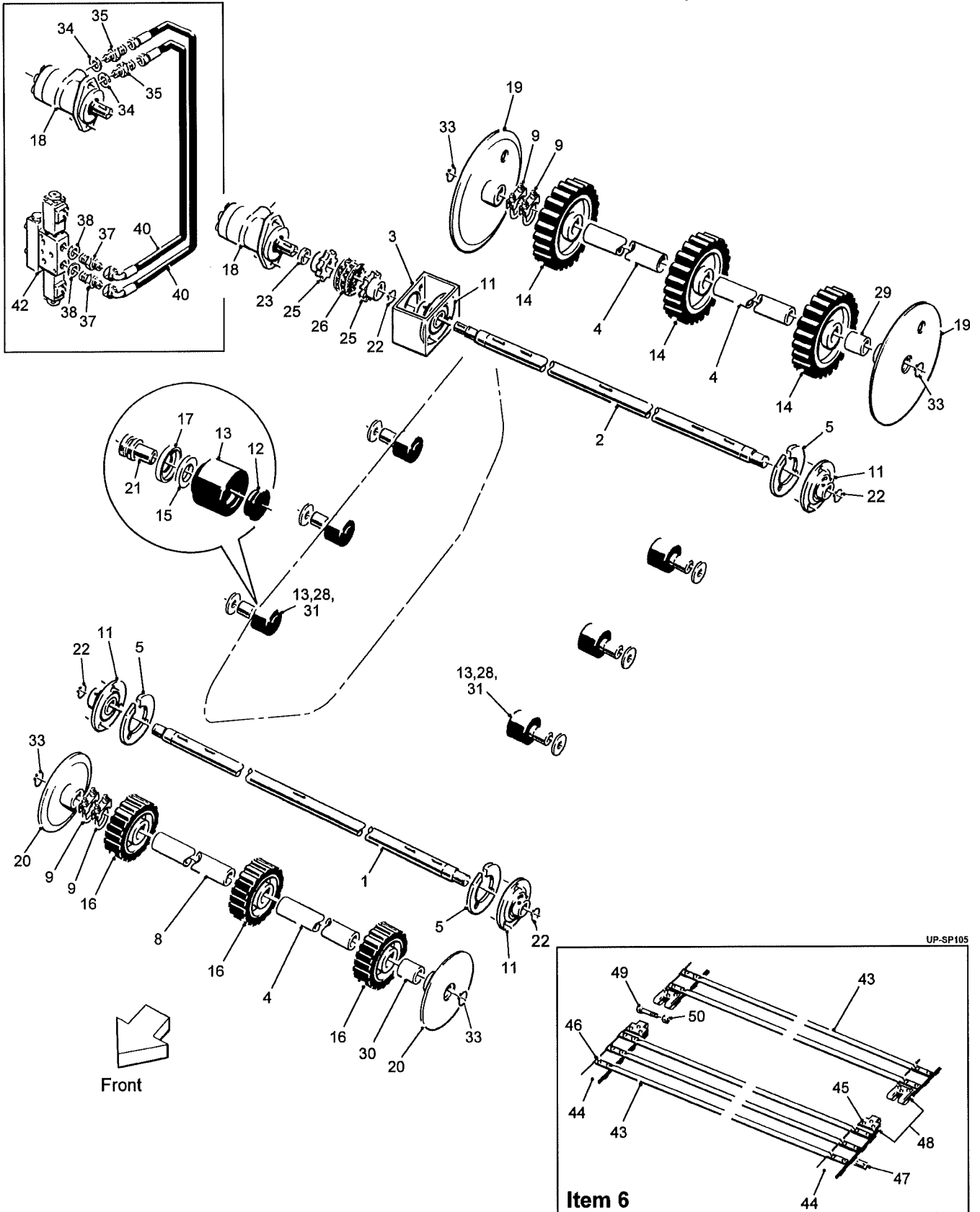
Vari-Flow Assembly**Assy 61909**

Item	Part No.	Description	Qty.	Remarks
	57700A	Web Assembly Consists Of:		1700mm machine
43	57972A/1	Ø15 Web Rod	47	
44	57972/2	Web Belt	3	
45	RPF240.150300	Connector Rivet	18	
46	RPF240.160250	Web Rod Rivet	282	
47	RPGM019.00069	Back Plate	141	
48	RPM419.264032	Connector Plates	3 pair	
49	22016010/080	M10x80 CSK Bolt	3	
50	22041010	M10 Nyloc Nut	3	
	57700B	Web Assembly Consists Of:		1500mm machine
43	57700B/1	Ø15 Web Rod	47	
44	57263/2	Web Belt	2	
45	RPF240.150300	Connector Rivet	12	
46	RPF240.160250	Web Rod Rivet	188	
47	RPGM019.00069	Back Plate	94	
48	RPM419.264032	Connector Plates	2 pair	
49	22016010/080	M10x80 CSK Bolt	2	
50	22041010	M10 Nyloc Nut	2	

Machines from 2020

Vari-Flow Assembly

Assy No 61909



5.3a

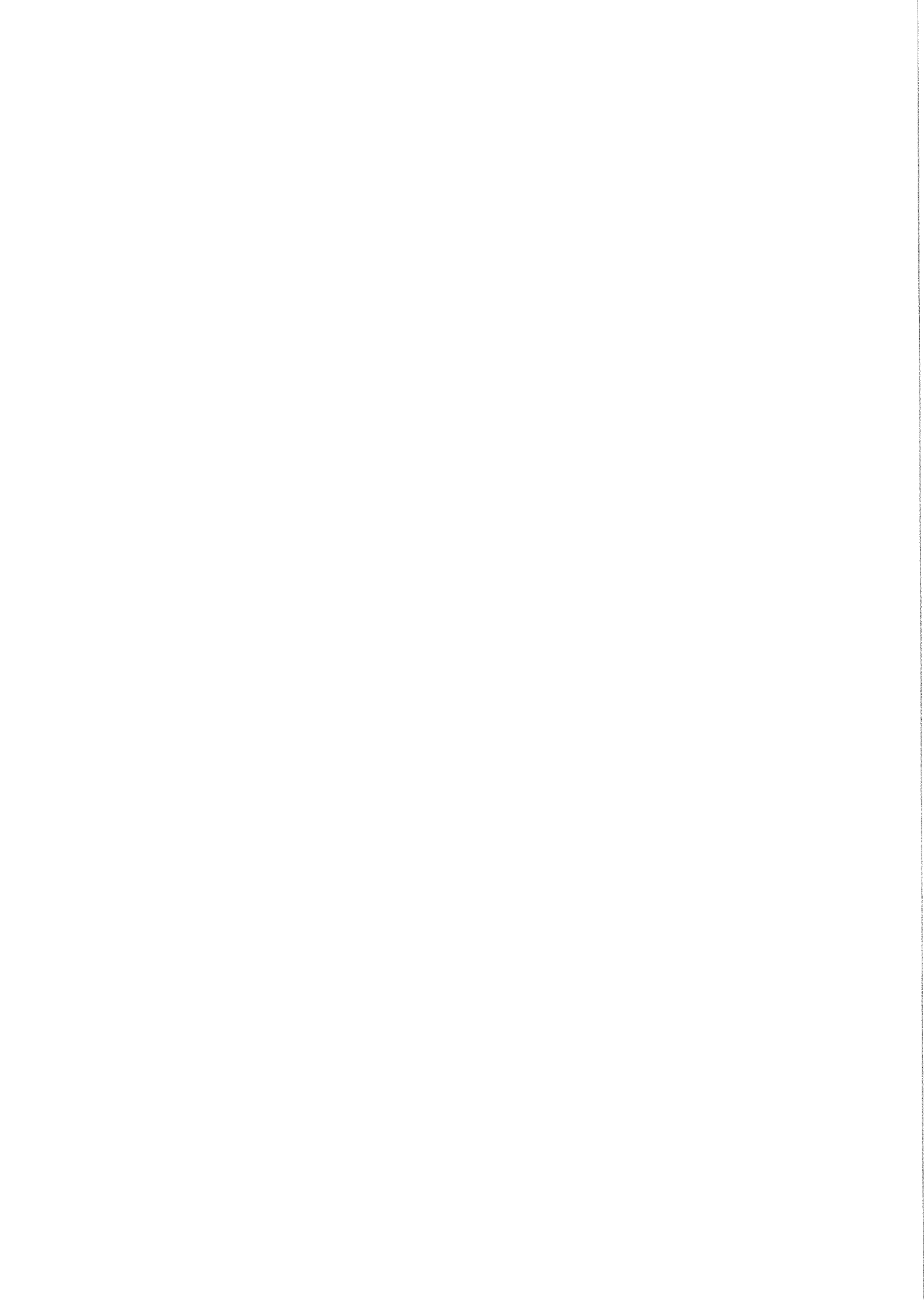
STAR UNIPLUS SPARE PARTS

Machines from 2020

Vari-Flow Assembly

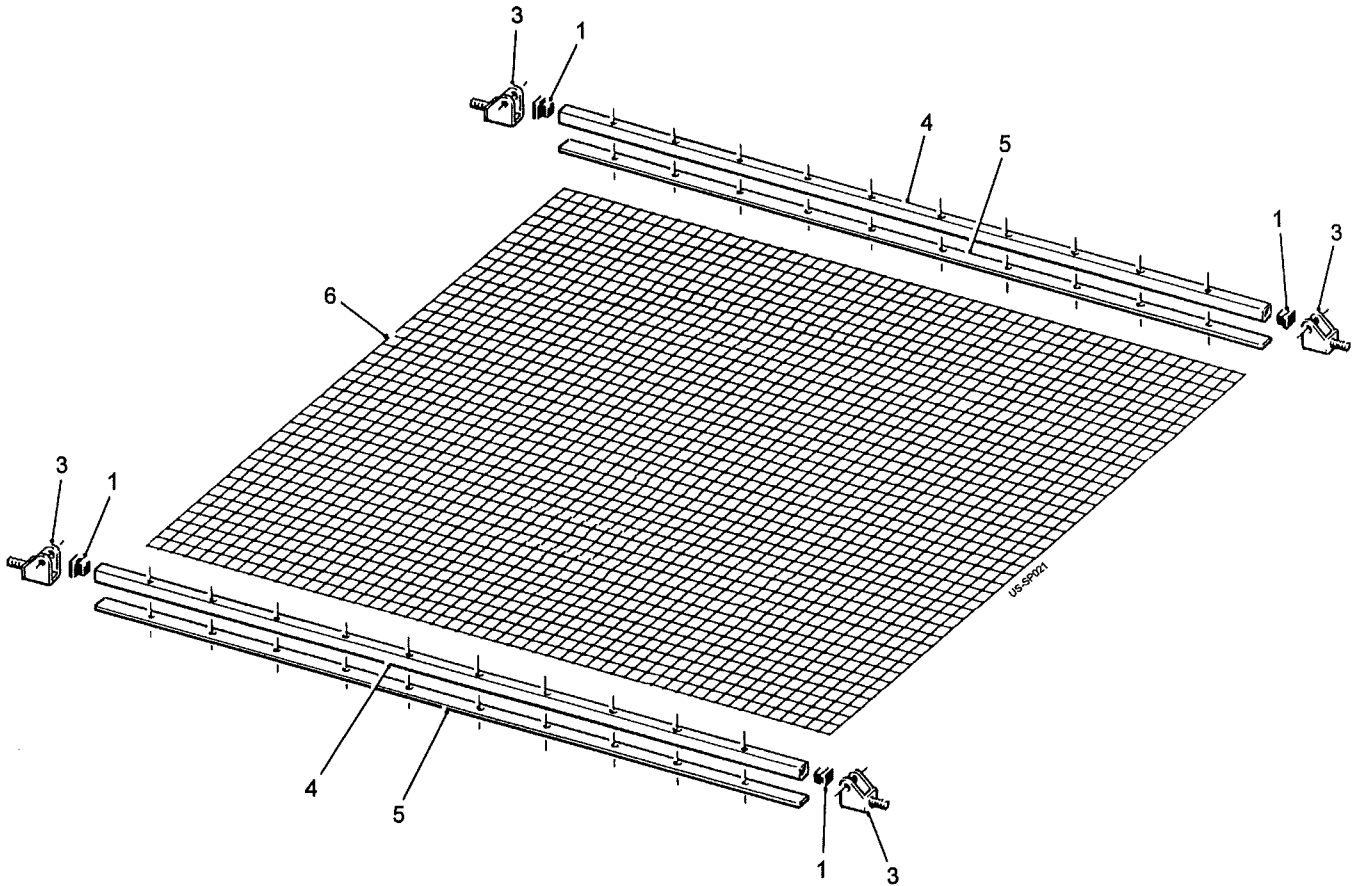
Assy 61909

Item	Part No.	Description	Qty.	Remarks
1	57258A	Front Roller Shaft (1700mm)	1	
	57258B	Front Roller Shaft (1500mm)	1	
	57258	Front Roller Shaft (1600mm)	1	
2	57259A	Rear Roller Shaft (1700mm)	1	
	57259B	Rear Roller Shaft (1500mm)	1	
	57259	Rear Roller Shaft (1600mm)	1	
3	57260	Motor Mounting	1	
4	57261A	Spacer Tube (1700mm)	3	
	57261B	Spacer Tube (1500mm)	3	
	57261	Spacer Tube (1600mm)	3	
5	57262	Bearing Spacer Plate	3	
6	57700A	Web Assembly (1700mm)	1	(see list at end)
	57700B	Web Assembly (1500mm)	1	(see list at end)
	57700	Web Assembly (1600mm)	1	(see list at end)
7				
8	57443A	Spacer Tube (1700mm)	1	
	57443B	Spacer Tube (1500mm)	1	
	57443	Spacer Tube (1600mm)	1	
9	58122	Ø35 Clamp Complete	4	
10				
11	RPB210.022062	Bearing	4	
12	RPC620.303070	Cap	6	
13	RPC700.300148	Ø75 Plain Roller c/w Bearings	6	
14	RPC700.302947	Drive Roller	3	
15	RPGM070.00446	Felt Seal	6	
16	RPGM076.00823A	Front Roller (10mm keyway)	3	
17	RPGM089.00565	Roller Shield	6	
18	RPH850.302181	Hydraulic Motor	1	
19	RPM124.303188	Rear Flange	2	
20	RPM124.303321	Front Flange	2	
21	RPM148.303071	Pivot Bush	6	
22	RPF200.030200	Ø30 External Circlip	4	
23	RPM176.303034	5mm Spacer	1	
24				
25	RPM182.303035	12T 3/4"Pitch Sprocket	2	
26	RPT738.600012	3/4"Pitch Duplex Chain	1	
27				
28	SS040017/045	Steel Spacer	6	
29	SS042036/051	Steel Spacer	1	
30	SS042036/065	Steel Spacer	1	
31	SS070017/005	Steel Spacer	6	
32				
33	W0118	Ø35 External Circlip	4	
		Hydraulic Components Consist Of:		
34	11124	1/2"BSP Dowty Seal	2	
35	12315	1/2"BSP M M Adaptor	2	
36				
37	27459	M18x1/2"BSP M M Adaptor	2	



Machines from 2019

Top Mesh Cover Kit



5.4a**STAR UNIPLUS SPARE PARTS**

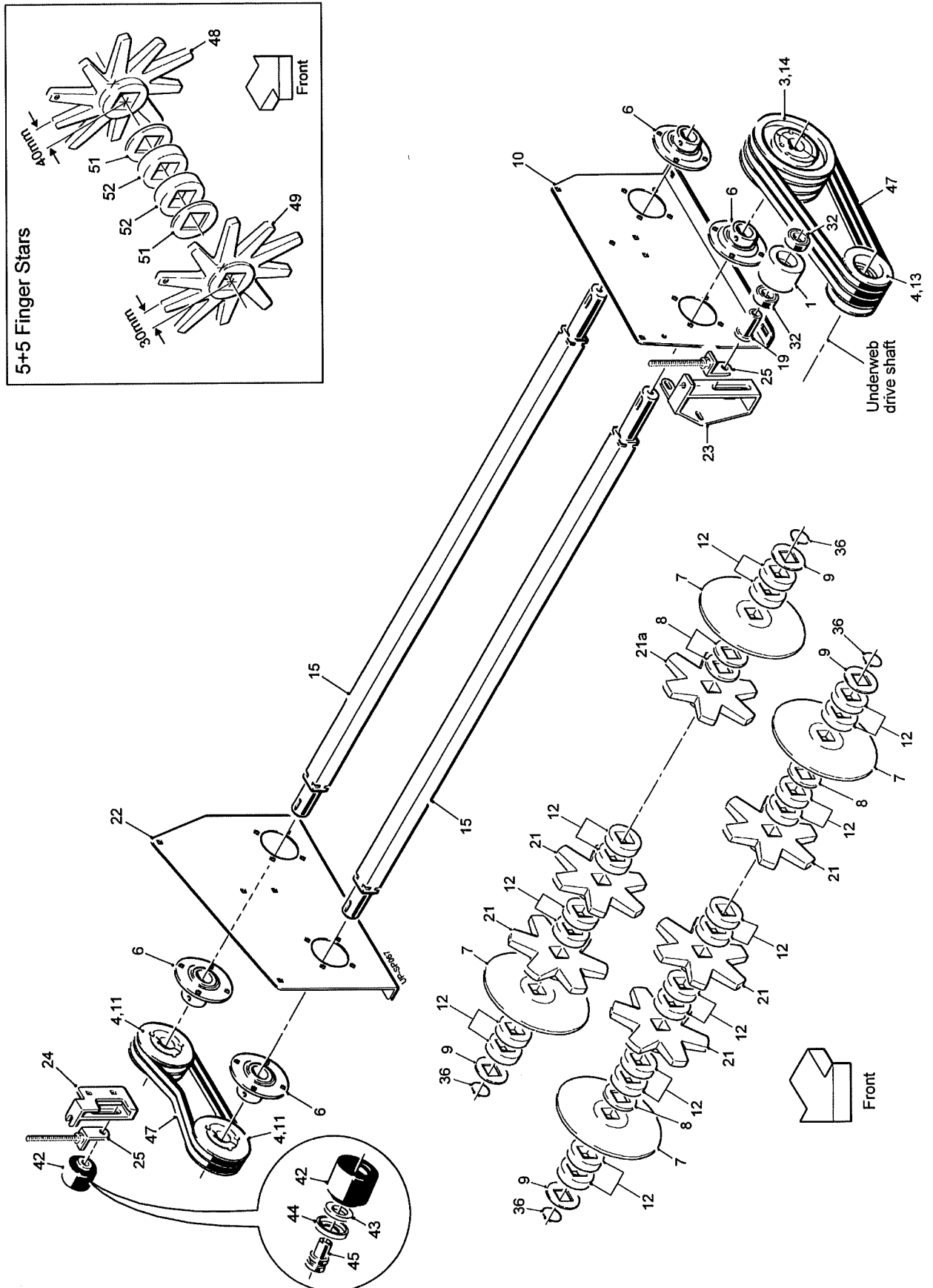
Machines from 2019

Top Mesh Cover Kit

Item	Part No.	Description	Qty.	Remarks
1	37753	Plastic Insert (30x30)	4	
2				
3	57289	Mesh Guard Support	4	
4	57290A	Mounting Bar (1700mm)	2	
	57290B	Mounting Bar (1500mm)	2	
5	57291A	Clamp Strip (1700mm)	2	
	57291B	Clamp Strip (1500mm)	2	
6	57292	Mesh Guard	1	

Machines from 2019

Boulder Stars Assembly



5.6a

STAR UNIPLUS SPARE PARTS

Machines from 2019

Boulder Stars Assembly

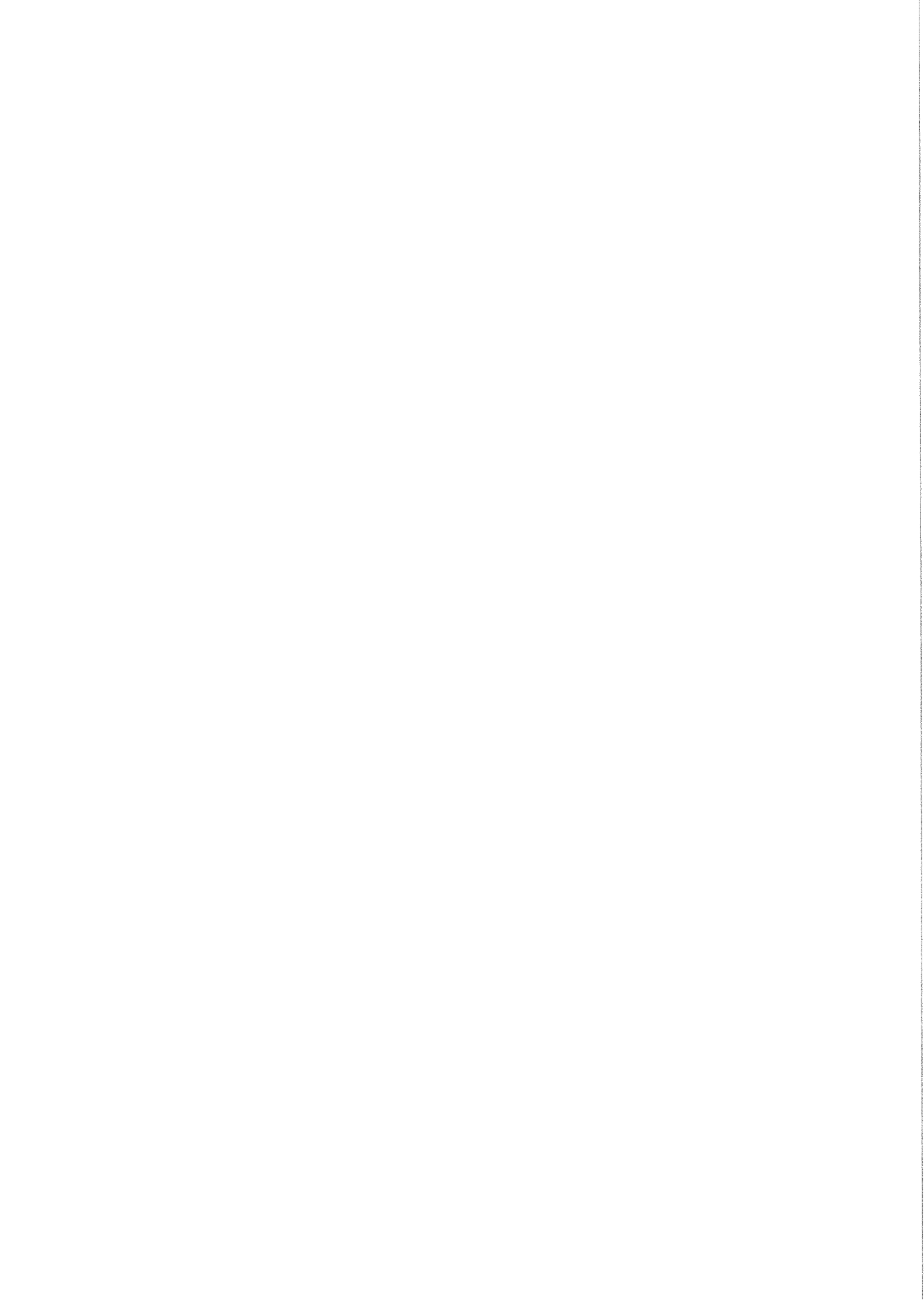
Item	Part No.	Description	Qty.	Remarks
1	11506	Roller	1	
2				
3	33154	Ø45 Taper Lock Bush (2517)	1	
4	33162	Ø45 Taper Lock Bush (2012)	3	
5				
6	57002	Bearing	4	
7	57036	Plastic End Disc	4	
8	57038	5mm Plastic Spacer	4	
9	57039	2.6mm Retaining Washer	4	
10	57150	Bearing Plate LH	1	
11	57255	Ø160 Pulley	2	
12	57324	25mm Plastic Spacer	76	1700mm
	57324	25mm Plastic Spacer	66	1500mm
13	57333	Ø132 Pulley	1	
14	57334	Ø236 Pulley	1	
15	57747A	Star Shaft (1700mm)	2	
	57747B	Star Shaft (1500mm)	2	
16				
17				
18				
19	58058	Roller Spindle	1	
20				
21	61030	6 Finger Star	33	1700mm
	61030	6 Finger Star	29	1500mm
21a	61030A	6 Finger Star (30mm wide)	1	1500mm
22	61949	Bearing Plate RH	1	
23	61948	Tensioner Bracket	1	
24	61362	Tensioner Bracket	1	
25	61370	Adjuster Screw	2	
26				
27				
28				
29				
30				
31				
32	60052RS	Bearing	2	
33				
34				
35				
36	RPF200.060300	Ø60 External Circlip	4	
37				
38				
39				
40				
41				
42	RPC700.300148	Ø75 Plain Roller c/w Bearings	1	
43	RPGM070.00446	Felt Seal	1	
44	RPGM089.00565	Roller Shield	1	
45	RPM180.303071	Pivot Bush	1	
46				
47	VB91	'V' Belt (1250mm)	5	

STAR UNIPLUS SPARE PARTS**5.6b**

Machines from 2019

Boulder Stars Assembly

Item	Part No.	Description	Qty.	Remarks
48	57001	5 + 5 Finger Stars Consist Of:	a/r	Optional
49	57203	5 + 5 Finger Star (40mm wide)	1	
50		5 + 5 Finger Star (30mm wide)		
51	57038	5mm Plastic Spacer	a/r	
52	57324	25mm Plastic Spacer	a/r	



5.6a

STAR UNIPLUS SPARE PARTS

Boulder Stars Assembly

Item	Part No.	Description	Qty.	Remarks
1	11506	Roller	1	
2				
3	33154	Ø45 Taper Lock Bush (2517)	3	
4	33162	Ø45 Taper Lock Bush (2012)	1	
5				
6	57002	Bearing	4	
7	57036	Plastic End Disc	4	
8	57038	5mm Plastic Spacer	4	
9	57039	2.6mm Retaining Washer	4	
10	57150	Bearing Plate LH	1	
11	61215	Ø160 Triple Pulley	2	
12	57324	25mm Plastic Spacer	76	1700mm
	57324	25mm Plastic Spacer	66	1500mm
13	57333	Ø132 Pulley	1	
14	57334	Ø236 Pulley	1	
15	57747A	Star Shaft (1700mm)	2	
	57747B	Star Shaft (1500mm)	2	
16				
17				
18				
19	58058	Roller Spindle	1	
20				
21	61030	6 Finger Star	33	1700mm
	61030	6 Finger Star	29	1500mm
21a	61030A	6 Finger Star (30mm wide)	1	1500mm
22	61949	Bearing Plate RH	1	
23	61948	Tensioner Bracket	1	
24	61362	Tensioner Bracket	1	
25	61370	Adjuster Screw	2	
26				
27				
28				
29				
30				
31				
32	60052RS	Bearing	4	
33				
34				
35				
36	RPF200.060300	Ø60 External Circlip	4	
37				
38				
39				
40				
41				
42	37508A	Ø75 Plain Roller (triple belt)	1	
43				
44				
45	68067	Roller Spindle	1	
46				
47	VB91	'V'Belt (1250mm)	6	

Boulder Stars Assembly

Item	Part No.	Description	Qty.	Remarks
48	57001	5 + 5 Finger Stars Consist Of:		Optional
49	57203	5 + 5 Finger Star (40mm wide)	a/r	
50		5 + 5 Finger Star (30mm wide)	1	
51	57038	5mm Plastic Spacer	a/r	
52	57324	25mm Plastic Spacer	a/r	



5.6a

STAR UNIPLUS SPARE PARTS

Machines from 2020

Boulder Stars Assembly

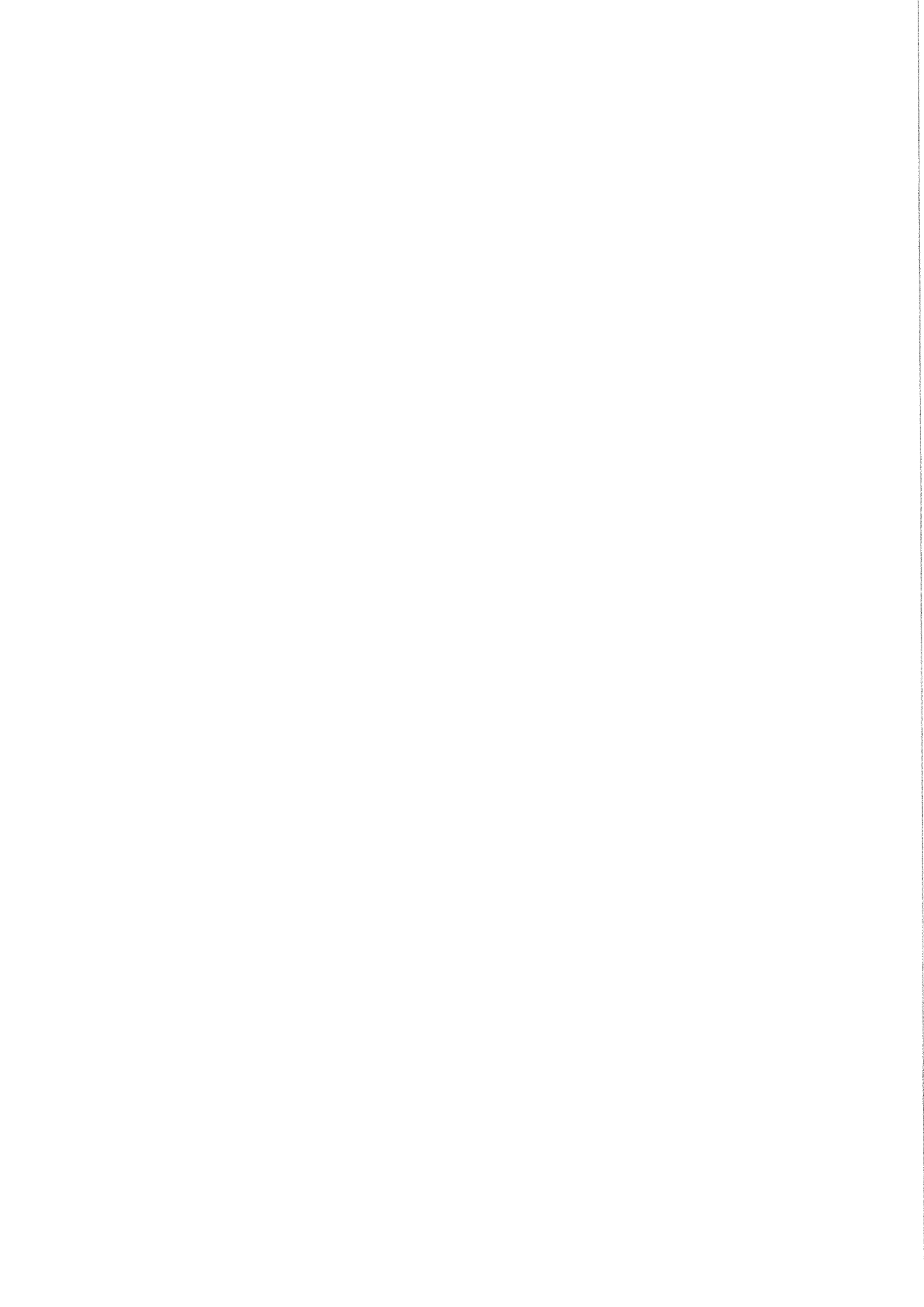
Item	Part No.	Description	Qty.	Remarks
1	11506	Roller	1	
2				
3	33154	Ø45 Taper Lock Bush (2517)	1	
4	33162	Ø45 Taper Lock Bush (2012)	3	
5				
6	57002	Bearing	2	
6a	68080	Bearing	2	
7	57036	Plastic End Disc	4	
8	57038	5mm Plastic Spacer	4	
9	57039	2.6mm Retaining Washer	4	
10	68078	Bearing Plate LH	1	
11	58066	28T Pulley	2	
12	57324	25mm Plastic Spacer	76	1700mm
	57324	25mm Plastic Spacer	66	1500mm
13	57333	Ø132 Pulley	1	
14	57334	Ø236 Pulley	1	
15	57747A	Star Shaft (1700mm)	2	
	57747B	Star Shaft (1500mm)	2	
16				
17				
18				
19	58058	Roller Spindle	1	
20				
21	61030	6 Finger Star	33	1700mm
	61030	6 Finger Star	29	1500mm
21a	61030A	6 Finger Star (30mm wide)	1	1500mm
22	68079	Bearing Plate RH	1	
23	61948	Tensioner Bracket	1	
24	68081	Tensioner Bracket	1	
25	61370	Adjuster Screw	2	
26				
27				
28				
29				
30				
31				
32	60052RS	Bearing	4	
33				
34				
35				
36	RPF200.060300	Ø60 External Circlip	4	
37				
38	SS040017/008	Steel Spacer	1	
39				
40				
41				
42	37508A	Ø75 Plain Roller (triple belt)	1	
43				
44				
45	68067	Roller Spindle	1	
46	68082	Toothed Belt	1	
47	VB91	'V'Belt (1250mm)	3	

STAR UNIPLUS SPARE PARTS**5.6b**

Machines from 2020

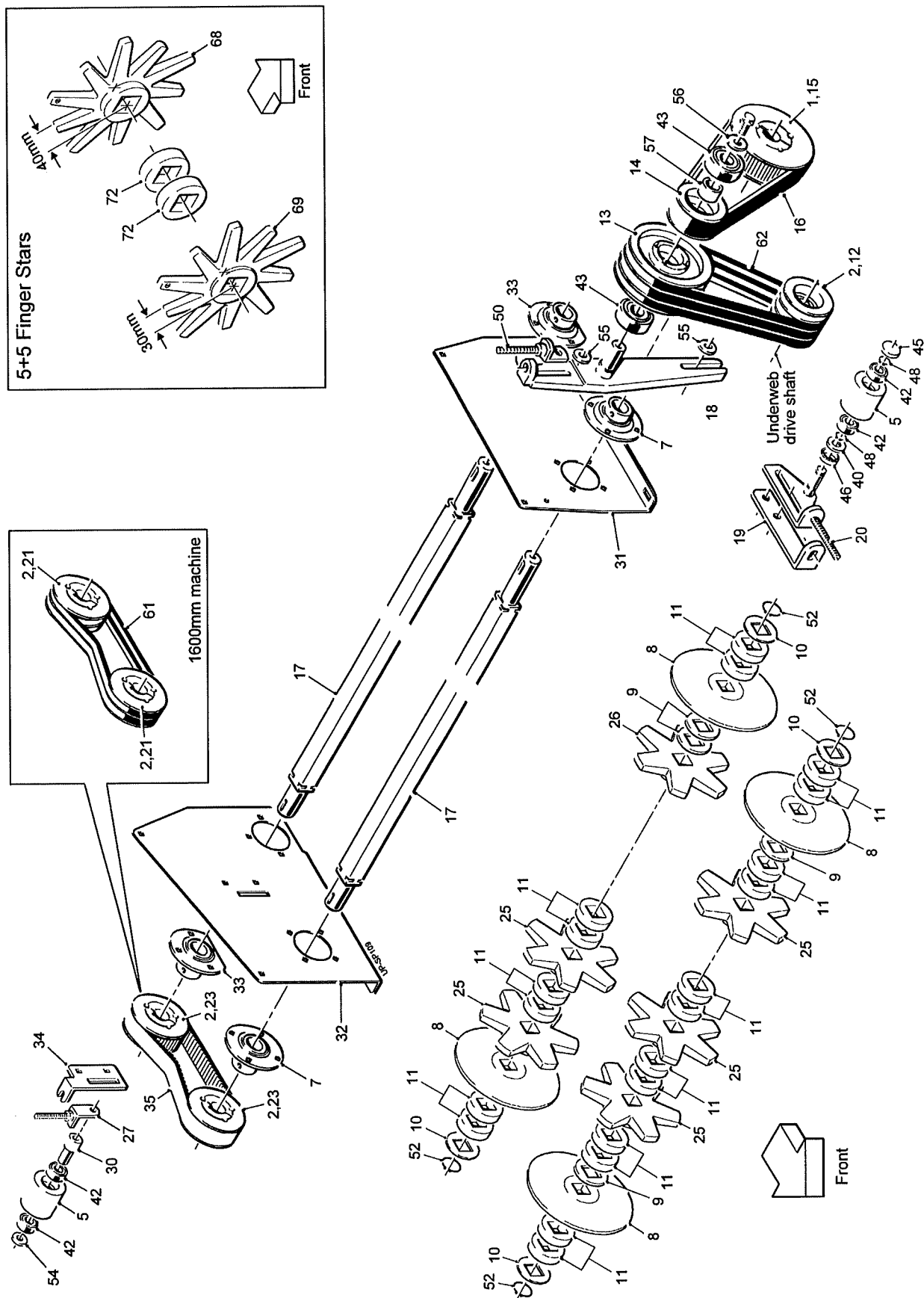
Boulder Stars Assembly

Item	Part No.	Description	Qty.	Remarks
48	57001	5 + 5 Finger Stars Consist Of:	a/r	Optional
49	57203	5 + 5 Finger Star (40mm wide)	1	
50		5 + 5 Finger Star (30mm wide)		
51	57038	5mm Plastic Spacer	a/r	
52	57324	25mm Plastic Spacer	a/r	



Machines from Serial No UNP-270

Boulder Stars Assembly



5.6a

STAR UNIPLUS SPARE PARTS

Machines from Serial No UNP-270

Boulder Stars Assembly

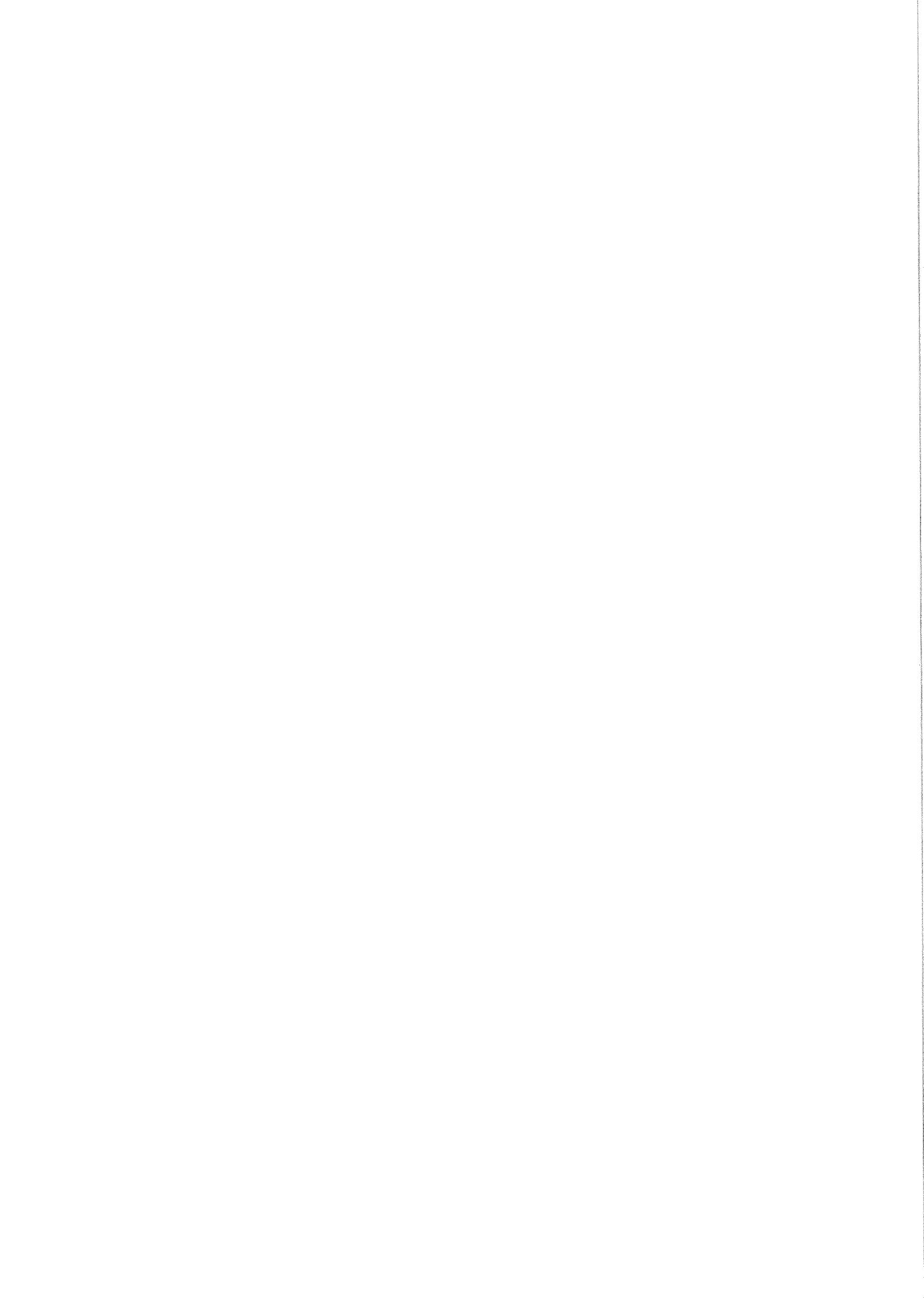
Item	Part No.	Description	Qty.	Remarks
1	33042	Taper Lock Bush (3020-45)	1	
2	33162	Taper Lock Bush (2012-45)	3	
3				
4				
5	37508A	Ø75 Steel Roller	2	
6				
7	57002	Bearing	2	
8	57036	Plasic End Disc	4	
9	57038	5mm Plastic Spacer	4	
10	57039	2.6mm Retaining Washer	4	
11	57324	25mm Plastic Spacer	76	1700mm
	57324	25mm Plastic Spacer	66	1500mm
	57324	25mm Plastic Spacer	74	1600mm
12	57333	Ø132 Pulley	1	
13	57743A	Ø243 Triple Pulley	1	
14	57744A	32T Pulley	1	
15	57745	56T Pulley	1	
16	57746	Toothed Belt	1	
17	57747A	Star Shaft (1700mm)	2	1700mm
	57747B	Star Shaft (1500mm)	2	1500mm
	57747	Star Shaft (1600mm)	2	1600mm
18	57748	Tensioner Slide	1	
19	57754	Adjuster Bracket	1	
20	57755	Roller Tensioner	1	
21	57255	Ø160 Pulley	2	
22				
23	58066	28T Pulley	2	
24				
25	61030	6 Finger Star	33	1700mm
	61030	6 Finger Star	29	1500mm
	61030	6 Finger Star	36	1600mm
26	61030A	6 Finger Star (30mm wide)	1	1500mm
27	58113	Adjuster Screw	1	Supersedes 61370
28				
29				
30	68067	Roller Spindle	1	
31	68078	Bearing Plate LH	1	1500mm & 1700mm
	57150	Bearing Plate LH	1	1600mm
32	68079	Bearing Plate RH	1	1500mm & 1700mm
	57151	Bearing Plate RH	1	1600mm
33	68080	Bearing	2	
34	68081	Tensioner Bracket	1	
35	68082	Toothed Belt	1	
36				
37				
38				
39				
40	0000300504	Felt Seal	1	
41				

STAR UNIPLUS SPARE PARTS**5.6b**

Machines from Serial No UNP-270

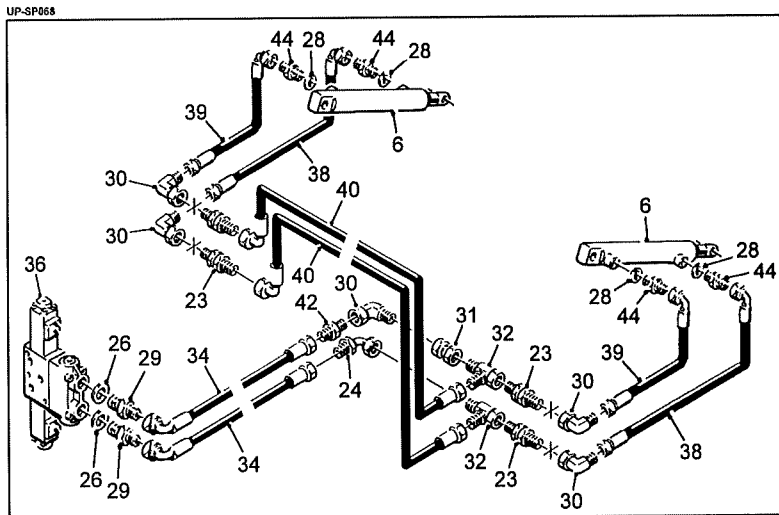
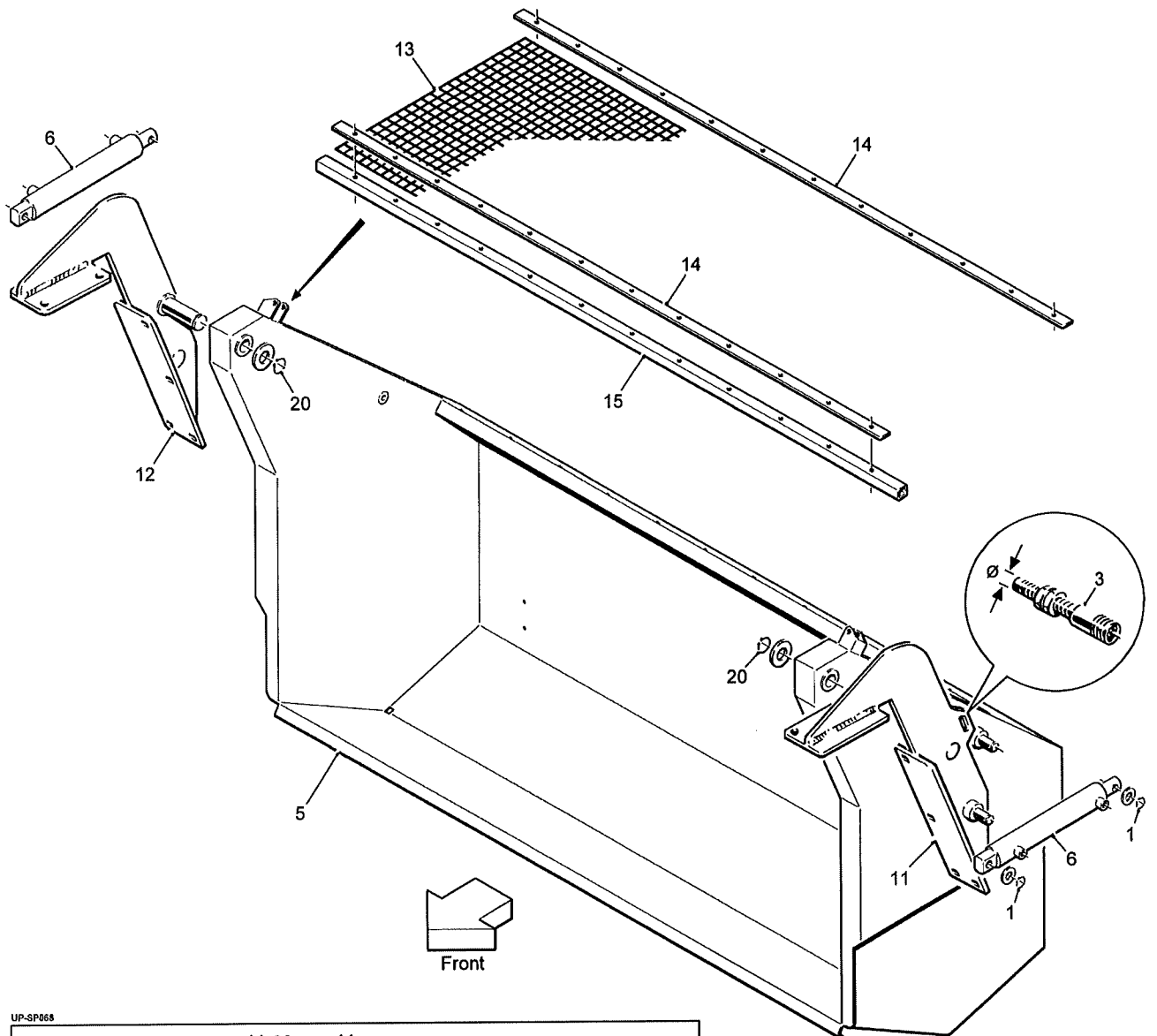
Boulder Stars Assembly

Item	Part No.	Description	Qty.	Remarks
42	6005 2RS	Bearing	4	
43	6308 2RS	Bearing	2	
44				
45	PH407	Seal	1	
46	PH408	Seal	1	
47				
48	PS843	Ø25 External Circlip	2	
49				
50	RPA610.304444	Adjuster	1	Was tensioner rod 57749
51				
52	RF200.060300	Ø60 External Circlip	4	
53				
54	SS040017/008	Steel Spacer	1	
55	SS045013/006	Steel Spacer	2	
56	SS045017/006	Steel Spacer	1	
57	SS051041/032	Steel Spacer	1	
58				
59				
60				
61	VB91	'V' Belt	2	
62	VB98	'V' Belt	3	
		5 + 5 Finger Stars Consist Of:		Optional
68	57001	5 + 5 Finger Star (40mm wide)	a/r	
69	57203	5 + 5 Finger Star (30mm wide)	1	
70				
71				
72	57324	25mm Plastic Spacer	a/r	



Machines from 2019

Boulder Box Assembly



5.7a

STAR UNIPLUS SPARE PARTS

Machines from 2019

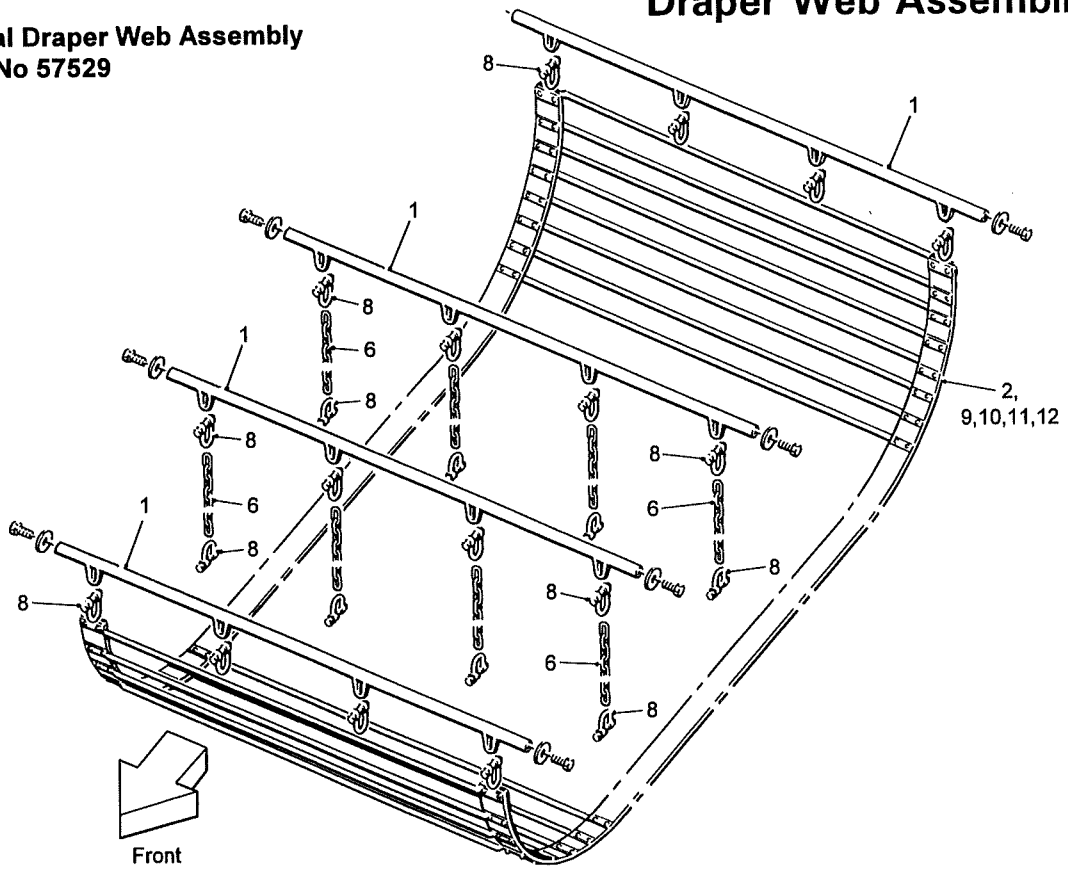
Boulder Box Assembly

Item	Part No.	Description	Qty.	Remarks
1	RPF200.020175	Ø20 External Circlip	4	Was 12298
2				
3	41504	Proximity Sensor (Ø12)	1	Was 36124 (Ø8)
4				
5	57233	Boulder Box	1	1500mm & 1600mm
	57233A	Boulder Box	1	1700mm
6	57295	Hydraulic Ram	2	
7				
8				
9				
10				
11	57234	Bracket LH	1	
12	57235	Bracket RH	1	
13	61513	Netting	1	1500mm & 1600mm
	61513A	Netting	1	1700mm
14	61518	Clamp Strip	2	1500mm & 1600mm
	61518A	Clamp Strip	2	1700mm
15	61519	Mounting Beam	1	1500mm & 1600mm
	61519A	Mounting Beam	1	1700mm
16				
17				
18				
19				
20	W0166	Ø30 External Circlip	2	
21				
22				
		Hydraulic Components Consist Of:		
23	10466	3/8"BSP Bulkhead Adaptor	4	
24	13189	3/8"BSP M F Swept 90°Adaptor	1	
25				
26	27461	M18 Dowty Seal	2	
27				
28	37104	M16 Dowty Seal	4	
29	37599	M18x3/8"BSP M M Adaptor	2	
30	42343	3/8"BSP M F Compact 90°Adaptor	5	
31	43592	3/8"BSP F F Adaptor	1	
32	46939	3/8"BSP F M M Tee	2	
33				
34	52312	3/8"Hose Assembly (3000mm)	2	
35				
36	57085/3	D/A Valve Section	1	
37				
38	60168	3/8"Hose Assembly (700mm)	2	
39	60280	3/8"Hose Assembly (510mm)	2	
40	60289	3/8"Hose Assembly (3380mm)	2	
41				
42	DW222008066	3/8"BSP M M Restrictor	1	
43				
44	RPH700.170616	M16x3/8"BSP M M Adaptor	4	

Machines from 2019

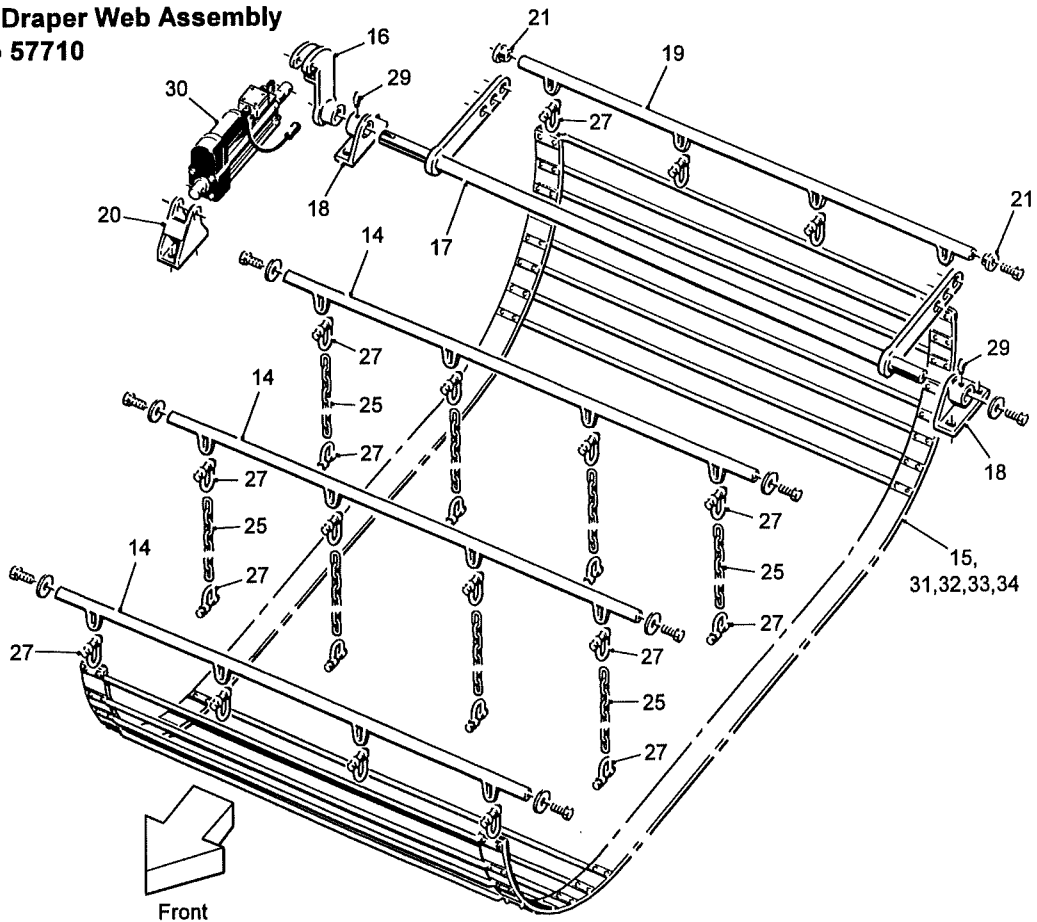
Draper Web Assemblies

Manual Draper Web Assembly
Assy No 57529



US-SP058

Electric Draper Web Assembly
Assy No 57710



5.8a

STAR UNIPLUS SPARE PARTS

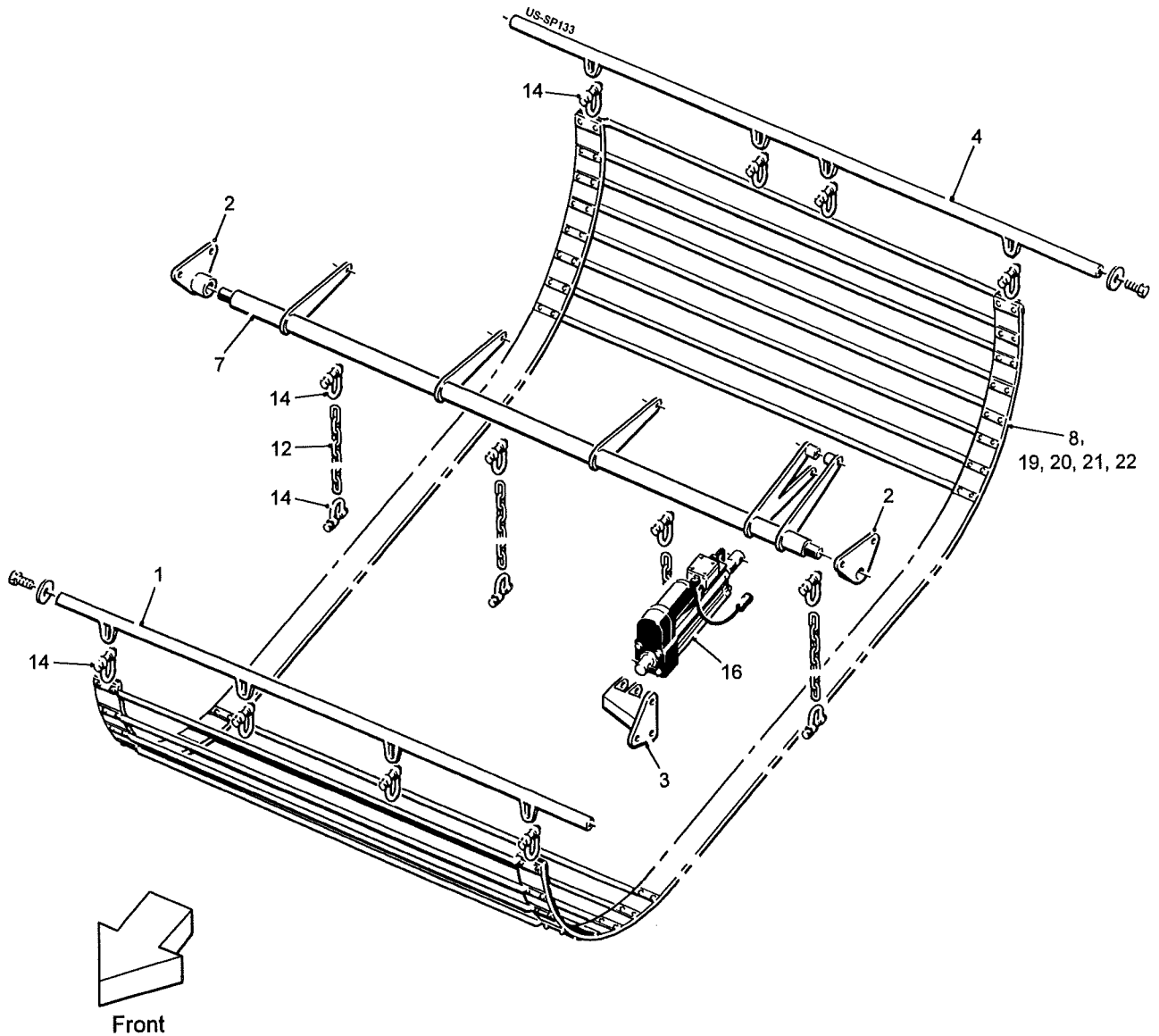
Machines from 2019

Draper Web Assemblies

Item	Part No.	Description	Qty.	Remarks
1	57529	Manual Draper Web Assy Consists Of:		
2	57527	Support Bar	4	
3	57528	Draper Web Complete (1485mm wide)	1	(see list at end)
4				
5				
6	GS506/15	Chain	8	
7				
8	H171	Shackle	24	
	57528	Draper Web Consists Of:		
9	57263/1	Web Rod	38	
10	57263/2	Web Belt	2	
11	RPGM019.00069	Web Rod Backplate	76	
12	RPF240.160250	Rivet for Web Rod	152	
13				
	57710	Electric Draper Web Assy Consists Of:		
14	57527	Support Bar	3	
15	57528	Draper Web (1485mm wide)	1	(see list at end)
16	57701	Lever	1	
17	57702	Lever Arm	1	
18	57703	Pivot Bracket	2	
19	57705	Support Bar	1	
20	57709	Actuator Mounting	1	
21	57725	Top Hat Washer	2	
22				
23				
24				
25	GS506/15	Chain	8	
26				
27	H171	Shackle	24	
28				
29	RPC648.081250	M8 Straight Grease Nipple	2	
30	RPE202.305394	Linear Actuator c/w Switch & Harness	1	
	57528	Draper Web Consists Of:		
31	57263/1	Web Rod	38	
32	57263/2	Web Belt	2	
33	RPGM019.00069	Web Rod Backplate	76	
34	RPF240.160250	Rivet for Web Rod	152	
35				

Machines from 2019

Rear Draper Web Assembly Assy No 61196



5.9a**STAR UNIPLUS SPARE PARTS**

Machines from 2019

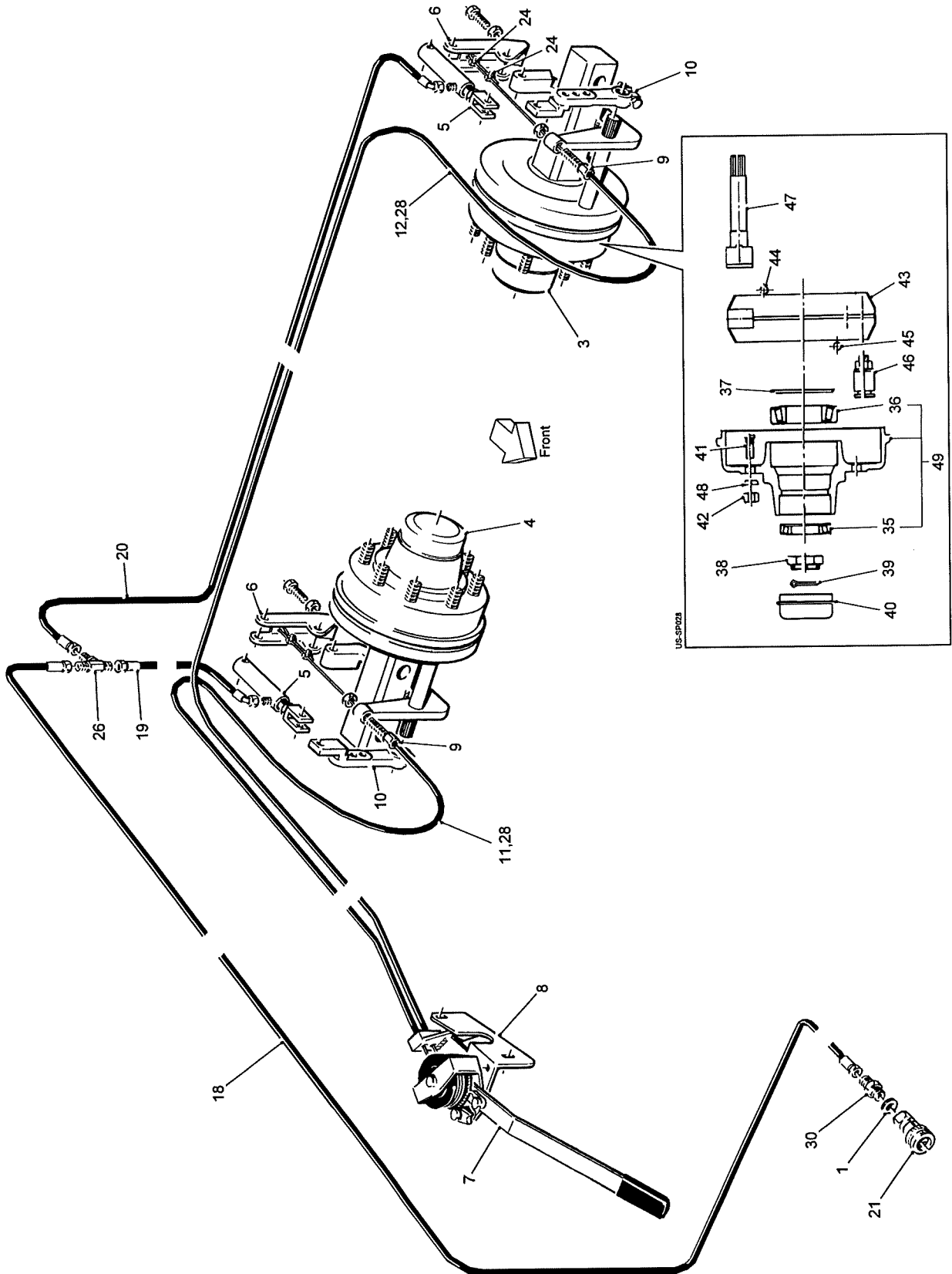
Rear Draper Web Assembly

Assy No 61196

Item	Part No.	Description	Qty.	Remarks
1	57527	Front Support Bar	1	
2	57545	Pivot Boss	2	
3	57828	Actuator Mounting	1	
4	57876	Rear Support Bar	1	
5				
6				
7	61193	Web Lift Beam	1	
8	61195	Draper Web Complete (1683mm wide)	1	(see list at end)
9				
10				
11				
12	GS506/15	Chain	4	
13				
14	H171	Shackle	16	
15				
16	RPE202.305394	Linear Actuator c/w Switch & Harness	1	
17				
18				
	61195	Draper Web Consists Of:		
19	57263/1	Web Rod	24	
20	57263/2	Web Belt	2	
21	RPGM019.00069	Web Rod Backplate	48	
22	RPF240.160250	Rivet for Web Rod	96	

Machines from 2019

Braked Axle Assembly
Assy No 57349



5.12a

STAR UNIPLUS SPARE PARTS

Machines from 2019

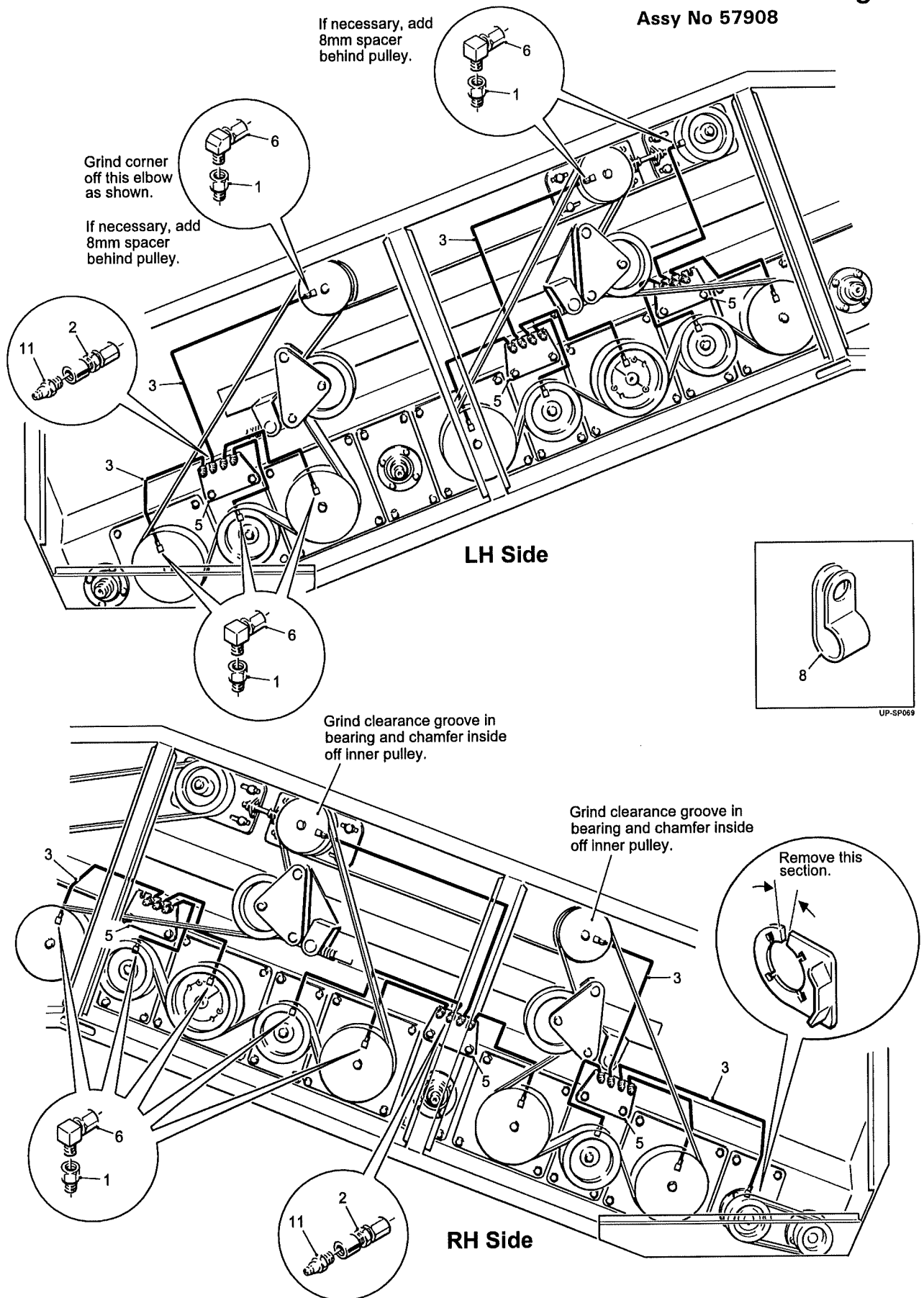
Braked Axle Assembly

Assy No 57349

Item	Part No.	Description	Qty.	Remarks
1	11124	1/2"BSP Dowty Seal	1	
2				
3	57343	LH Braked Axle Assembly	1	
4	57344	RH Braked Axle Assembly	1	
5	57345	Brake Ram	2	
6	57346	Brake Ram Arm	2	
7	57347	Handbrake Assembly	1	
8	57348	Handbrake Mounting	1	
9	57353	Cable Adjuster	2	
10	57354	Brake Link	2	
11	57355/2700	Outer Cable (2700mm)	1	
12	57355/5300	Outer Cable (5300mm)	1	
13				
14				
15				
16				
17				
18	60339	3/8"Hose Assembly (9750mm)	1	
19	60340	3/8"Hose Assembly (1200mm)	1	
20	60341	3/8"Hose Assembly (3500mm)	1	
21	60342	1/2"BSP Trail Brake Carrier	1	
22				
23				
24	DWS486	Ø4 Wire Rope Grip	4	
25				
26	SPCL597	3/8"BSP M M M Tee	1	
27				
28	SSR101X	Ø3 Inner Cable	11m	
29				
30	UC25	1/2"BSPx3/8"BSP M M Adaptor	1	
31				
32				
33				
34				
35	-	Outer Bearing	1	
36	-	Inner Bearing	1	
37	-	Retaining Ring	1	
38	-	Castellated Nut	1	
39	-	Split Pin	1	
40	-	Hub Cap	1	
41	-	Wheel Stud	8	
42	-	Wheel Nut	8	
43	-	Shoe with Lining	2	
44	-	Upper Brake Shoe Return Spring	1	
45	-	Lower Brake Shoe Return Spring	1	
46	-	Shoe Anchor Pin	1	
47	-	Camshaft	1	
48	-	Spring Washer	8	
49	-	Hub c/w Bearings	1	

Machines from 2019

Central Greasing Kit Assy No 57908



5.13a**STAR UNIPLUS SPARE PARTS**

Machines from 2019

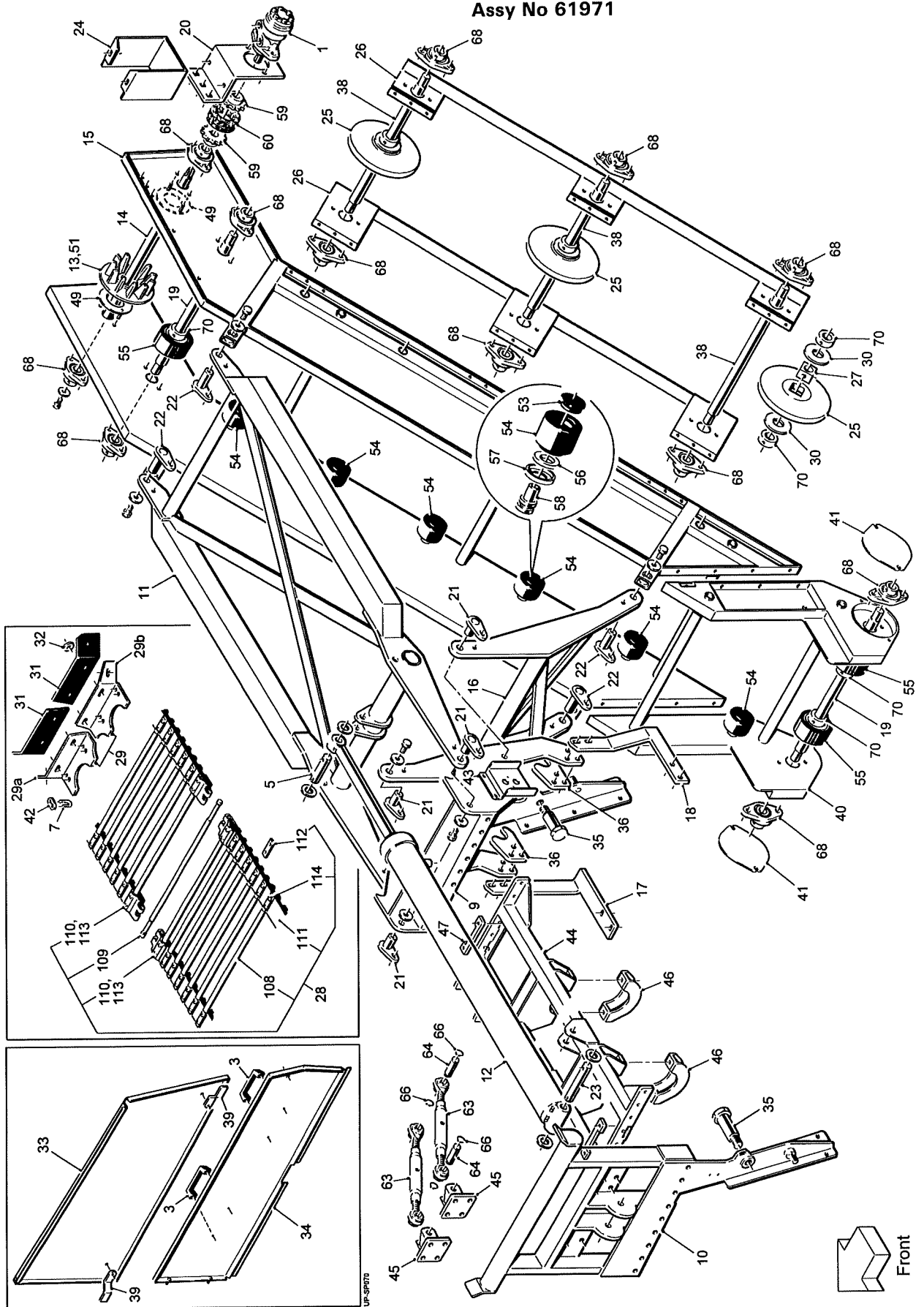
Central Greasing Kit**Assy No 57908**

Item	Part No.	Description	Qty.	Remarks
1	51137	1/8"GF-1/4"UNF Adaptor	22	
2	51669	Plate Adaptor	22	
3	51671	Tube	14m	
4				
5	57906	Grease Nipple Plate	6	
6	57907	1/8"BSP-Ø6mm Pipe 90° Connector	22	
7				
8	61088	6mm Nylon 'P' Clip	50	
9				
10				
11	GS412	1/8"BSP Straight Grease Nipple	22	

Machines from 2019

Stone Elevator (without swan neck)

Assy No 61971



5.14a

STAR UNIPLUS SPARE PARTS

Machines from 2019

Stone Elevator (without swan neck)

Assy No 61971

Item	Part No.	Description	Qty.	Remarks
1	11201	Hydraulic Motor	1	
2				
3	50047	Guard Handle	2	
4				
5	52590	Ram Pin (short)	1	
6				
7	58208	M10 'U' Bolt	96	
8				
9	61004	Pivot Mounting	1	
10	61005	Ram Mounting	1	
11	61006	Lift Frame	1	
12	61007	Hydraulic Ram	1	
13	61010	28mm Pitch Web Sprocket	2	
14	61012	Web Drive Shaft	1	
15	61013	Elevator Frame	1	
16	61014	Lower Link	1	
17	61032A	Front Brace	1	
18	61033	Rear Brace	1	
19	61041	Roller Shaft	2	
20	61042	Motor Plate	1	
21	61043	Pivot Pin (short)	4	
22	61044	Pivot Pin (long)	4	
23	61045	Ram Pin (long)	1	
24	61047	Drive Guard	1	
25	61048	Return Roller	3	
26	61049	Return Roller Mounting	2	
27	61050	Return Roller Hub	3	
28	61053	28mm Pitch Web Assembly	1	(see list at end)
29	61054	Elevator Flight Complete	24	
29a	61054F	Flight Half Front	24	
29b	61054R	Flight Half Rear	24	
30	61055	Locating Washer	6	
31	61056	Flight Rubber	48	
32	61057	Washer	144	
33	61058	Upper Guard	1	
34	61059	Lower Guard	1	
35	61060	Boulder Box Shoulder Bolt	2	
36	61068	Locating Plate	2	
37				
38	61070	Return Roller Shaft	3	
39	61071	Guard Retaining Plate	2	
40	61072	Elevator Base	1	
41	61073	Bearing Shield	2	
42	61093	'U' Bolt Clamp Plate	96	
43	61110	Rear Light Bracket RH	1	
44	61963	Elevator Frame	1	
45	61964	Top Link Bracket	2	
46	61965	Clamp	2	
47	61966	Clamp Plate	2	
48				
49	68103	Bearing Mounting	2	
50				
51	HER09681A	Taperlock Bush (1610-35)	2	
52				
53	RPC620.303070	Cap	12	

STAR UNIPLUS SPARE PARTS**5.14b**

Machines from 2019

Stone Elevator (without swan neck)**Assy No 61971**

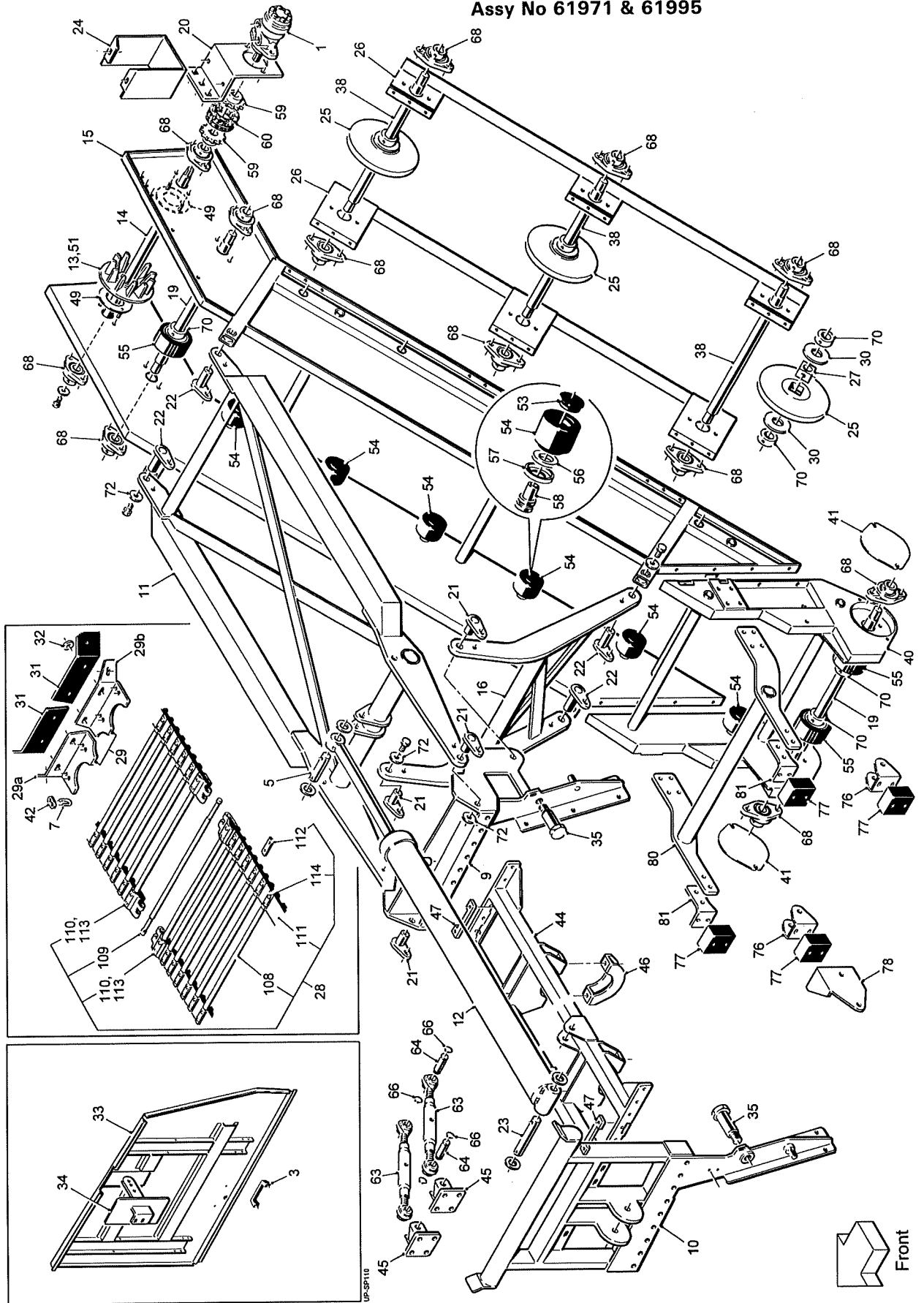
Item	Part No.	Description	Qty.	Remarks
54	RPC700.300147	Ø95 Plain Roller c/w Bearings	12	
55	RPC700.301543	Ø132 Roller	4	
56	RPGM070.00446	Felt Seal	12	
57	RPGM089.00565	Roller Shield	12	
58	RPM180.303071	Pivot Bush	12	
59	RPM182.303035	12T 3/4"Pitch Sprocket	2	
60	RPT738.600012	3/4"Pitch Duplex Chain	1	
61				
62				
63	DW208007980	Top Link Complete	2	
64	DWS723	Pin	4	
65				
66	PS843	Ø25 External Circlip	8	
67				
68	SFT30	Bearing	12	
69				
70	SPCT131	Ø35 Stop Collar	10	
	61053	28mm Pitch Web Assembly		
		Consists Of:		
108	61053/1	Ø10 Web Rod	251	
109	61053/2	Ø10 Joining Rod	1	
110	57058/28/1A	Joiner	4	
111	-	Web Belt	2	
112	12238/6	Clamp Plate	502	
113	57058/5	Joiner Rivet	8	
114	57058/4	Web Bar Rivet	1004	



Machines from 2020

Stone Elevator (without swan neck)

Assy No 61971 & 61995



5.14a

STAR UNIPLUS SPARE PARTS

Machines from 2020

Stone Elevator (without swan neck)

Assy No 61971 & 61995

Item	Part No.	Description	Qty.	Remarks
1	11201	Hydraulic Motor	1	
2				
3	50047	Guard Handle	1	
4				
5	52590	Ram Pin (short)	1	
6				
7	58208	M10 'U' Bolt	96	
8				
9	61004B	Pivot Mounting	1	
10	61005B	Ram Mounting	1	
11	61006	Lift Frame	1	
12	61007	Hydraulic Ram	1	
13	61010	28mm Pitch Web Sprocket	2	
14	61012	Web Drive Shaft	1	
15	61013	Elevator Frame	1	
16	61014	Lower Link	1	
17				
18				
19	61041	Roller Shaft	2	
20	61042	Motor Plate	1	
21	61043	Pivot Pin (short)	4	
22	61044	Pivot Pin (long)	4	
23	61045	Ram Pin (long)	1	
24	61047	Drive Guard	1	
25	61048	Return Roller	3	
26	61049	Return Roller Mounting	2	
27	61050	Return Roller Hub	3	
28	61053	28mm Pitch Web Assembly	1	(see list at end)
29	61054	Elevator Flight Complete	24	
29a	61054F	Flight Half Front	24	
29b	61054R	Flight Half Rear	24	
30	61055	Locating Washer	6	
31	61056	Flight Rubber	48	
32	61057	Washer	144	
33	57072A	Guard 4 RH	1	
34	61860	Support Bracket	1	
35	61060	Boulder Box Shoulder Bolt	2	
36				
37				
38	61070	Return Roller Shaft	3	
39				
40	61072	Elevator Base	1	
41	61073	Bearing Shield	2	
42	61093	'U' Bolt Clamp Plate	96	
43				
44	61963	Elevator Frame	1	
45	61964	Top Link Bracket	2	
46	61965	Clamp	2	
47	61966	Clamp Plate	2	
48				
49	68103	Bearing Mounting	2	
50				
51	HER09681A	Taperlock Bush (1610-35)	2	
52				
53	RPC620.303070	Cap	12	

STAR UNIPLUS SPARE PARTS

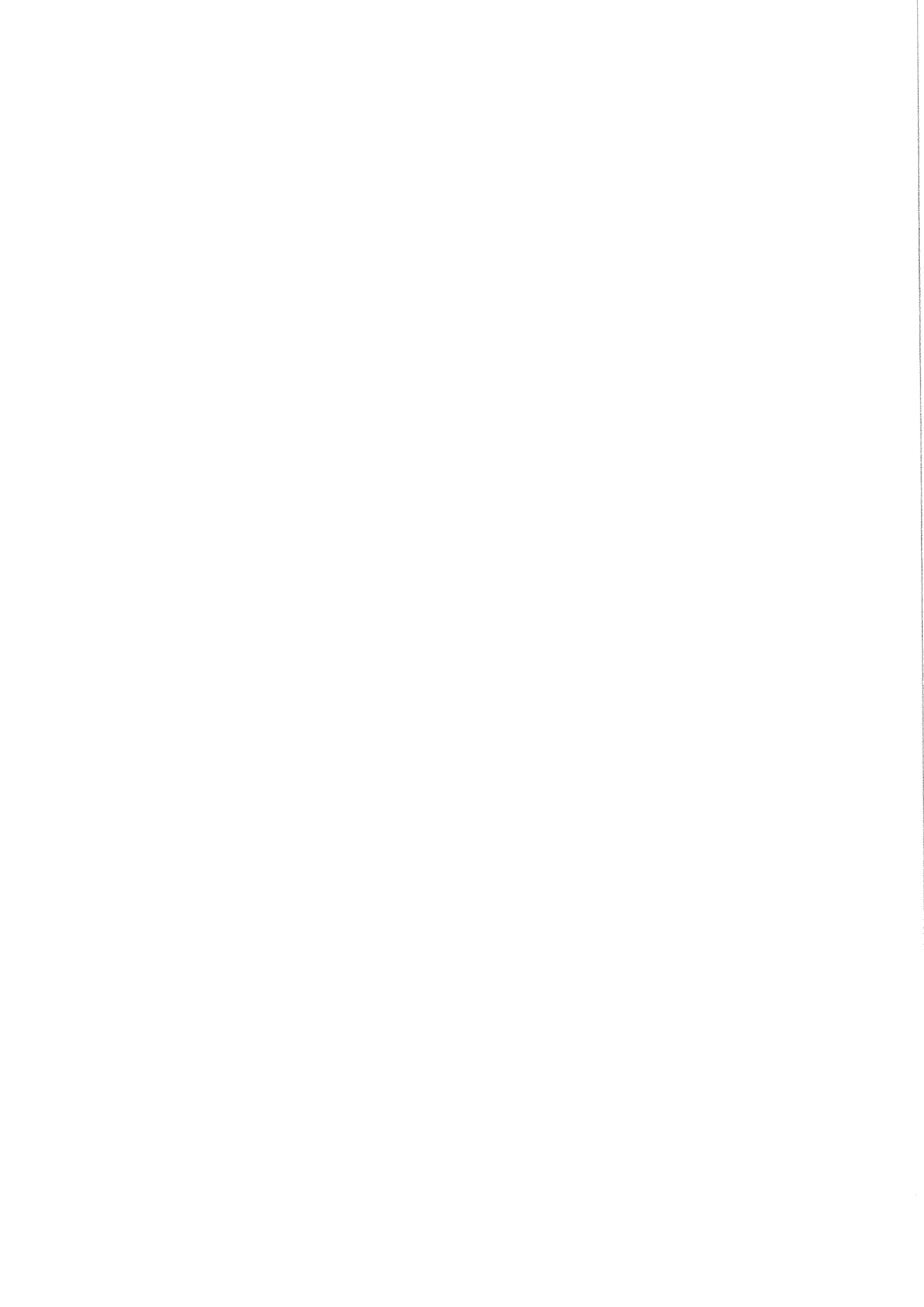
5.14b

Machines from 2020

Stone Elevator (without swan neck)

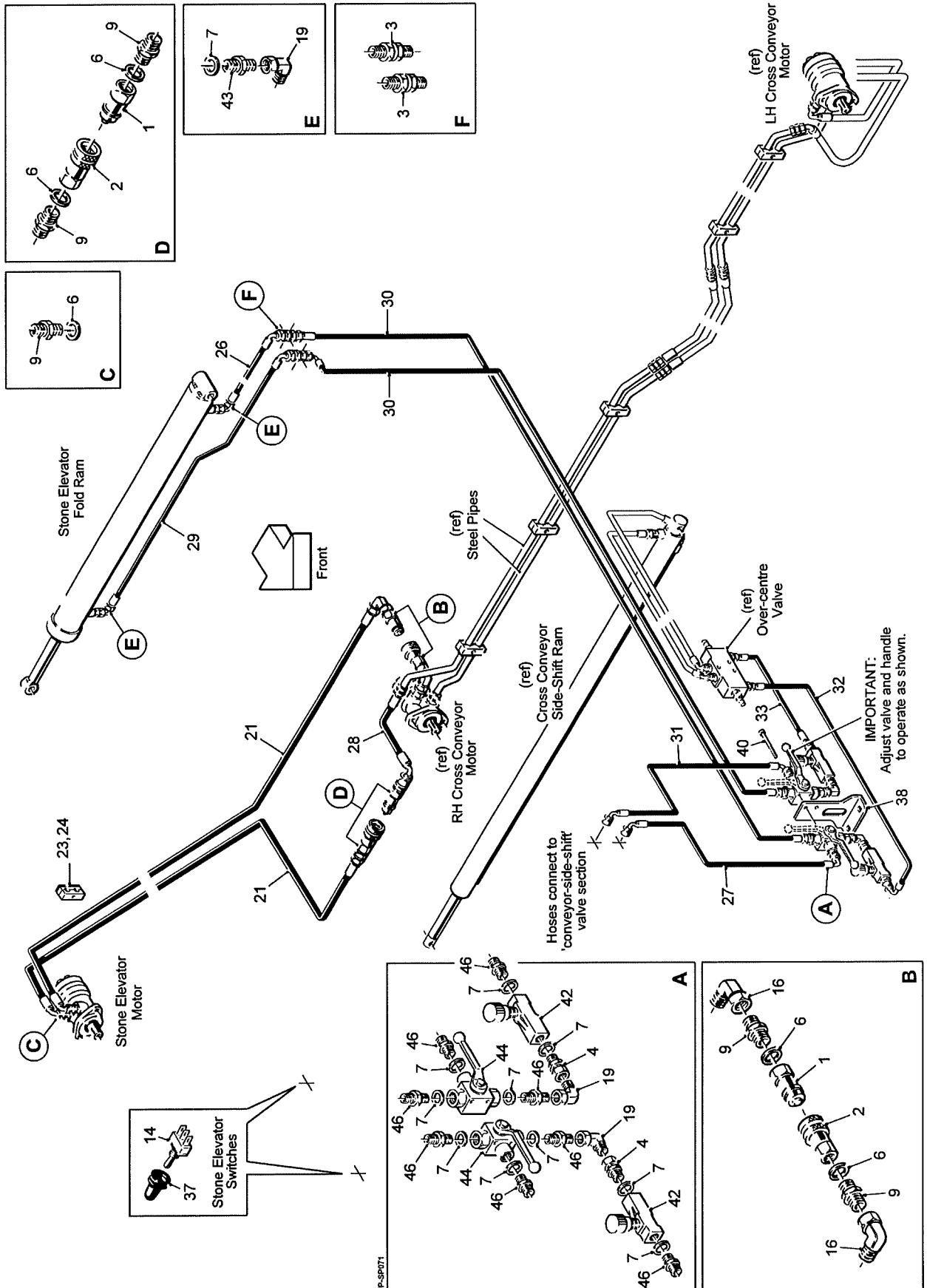
Assy No 61971 & 61995

Item	Part No.	Description	Qty.	Remarks
54	RPC700.300147	Ø95 Plain Roller c/w Bearings	12	
55	RPC700.301543	Ø132 Roller	4	
56	RPGM070.00446	Felt Seal	12	
57	RPGM089.00565	Roller Shield	12	
58	RPM180.303071	Pivot Bush	12	
59	RPM182.303035	12T 3/4"Pitch Sprocket	2	
60	RPT738.600012	3/4"Pitch Duplex Chain	1	
61				
62				
63	DW208007980	Top Link Complete	2	
64	DWS723	Pin	4	
65				
66	PS843	Ø25 External Circlip	8	
67				
68	SFT30	Bearing	12	
69				
70	SPCT131	Ø35 Stop Collar	10	
71				
72	SS040011/003	Steel Spacer	8	
73				
74				
75				
76	61990	Stop Block Support	2	
77	61991	Stop Block	4	
78	61992	Stop Block Bracket	1	
79				
80	68174	Elevator Support	1	
81	68175	Stop Block Mounting Bracket	2	
	61053	28mm Pitch Web Assembly		
		Consists Of:		
108	61053/1	Ø10 Web Rod	251	
109	61053/2	Ø10 Joining Rod	1	
110	57058/28/1A	Joiner	4	
111	-	Web Belt	2	
112	12238/6	Clamp Plate	502	
113	57058/5	Joiner Rivet	8	
114	57058/4	Web Bar Rivet	1004	



Machines from 2019

Stone Elevator Hydraulics (without swan neck)



5.15a

STAR UNIPLUS SPARE PARTS

Machines from 2019

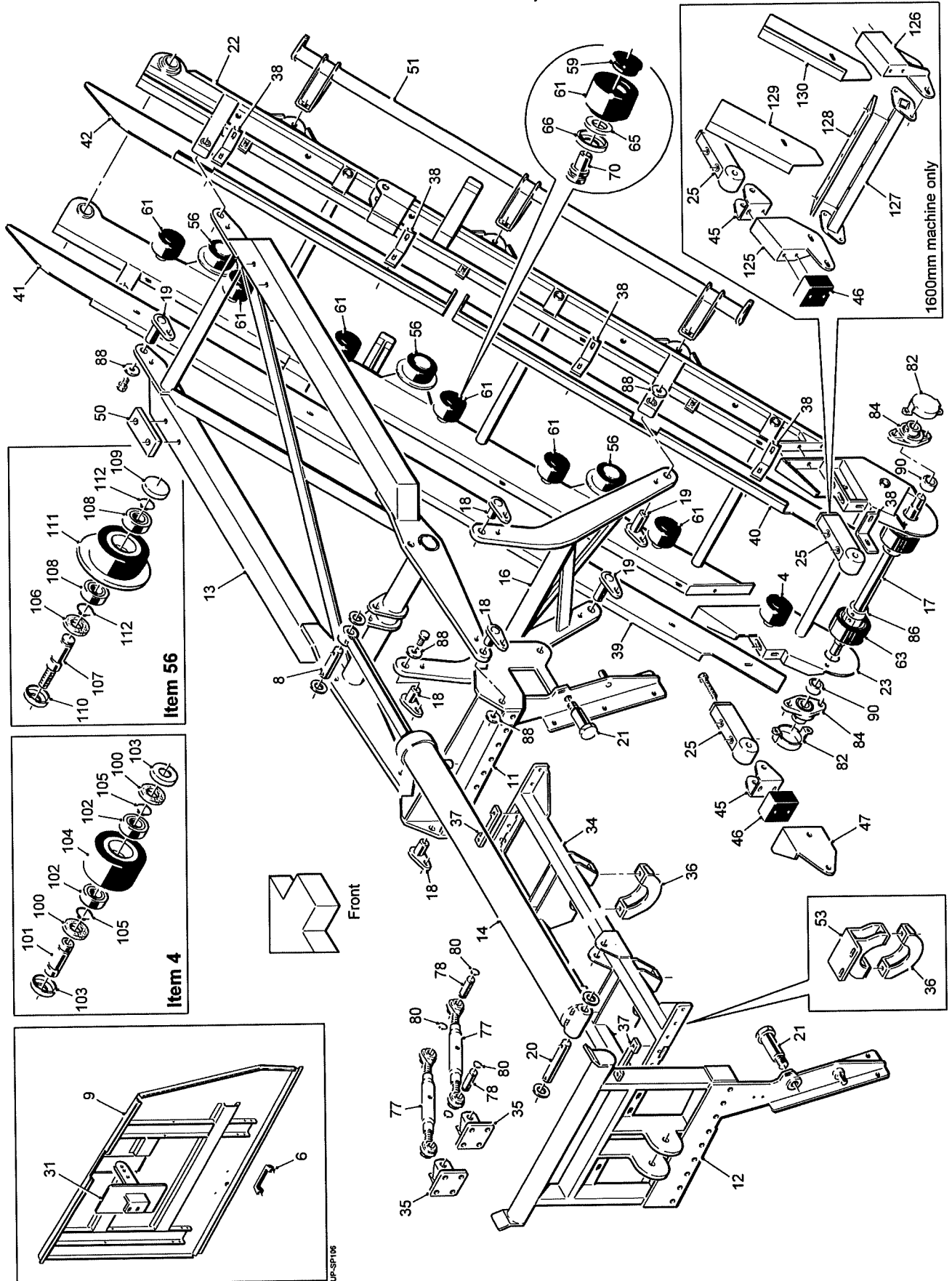
Stone Elevator Hydraulics (without swan neck)

Item	Part No.	Description	Qty.	Remarks
1	10140	1/2"BSP Quick-Release Probe	2	
2	10141	1/2"BSP Quick Release Carrier	2	
3	10466	3/8"BSP Bulkhead Adaptor	2	
4	10128	3/8"BSP M F Swivel Adaptor	2	
5				
6	11124	1/2"BSP Dowty Seal	6	
7	11125	3/8"BSP Dowty Seal	12	
8				
9	12315	1/2"BSP M M Adaptor	6	
10				
11				
12				
13				
14	27468	3-Way Spring-Back Switch	2	
15				
16	32475	1/2"BSP M F Compact 90° Adaptor	2	
17				
18				
19	42343	3/8"BSP M F Compact 90° Adaptor	4	
20				
21	51549	1/2"Hose Assembly (4100mm)	2	
22				
23	57224	Double Pipe Clamp (22-22)	6	
24	57225	Pipe Clamp Plate	6	
25				
26	60279	3/8"Hose Assembly (760mm)	1	
27	60854	3/8"Hose Assembly (700mm)	1	
28	60562	1/2"Hose Assembly (500mm)	1	
29	60564	3/8"Hose Assembly (1800mm)	1	
30	60648	3/8"Hose Assembly (1400mm)	2	
31	60853	3/8"Hose Assembly (900mm)	1	
32	60855	3/8"Hose Assembly (750mm)	1	
33	60856	3/8"Hose Assembly (500mm)	1	
34				
35				
36				
37	61034	Switch Boot	2	
38	61967	Tap Mounting plate	1	
39				
40	JK63874	M4x85 Cheese Head Screw	2	
41				
42	KA17102	3/8"BSP Adjustable Restrictor Valve	2	
43	DW222008066	3/8"BSP Restrictor (Ø1.6mm hole)	2	
44	DW202046260	3/8"BSP 3-Way Ball Valve	2	
45				
46	UC31A	3/8"BSP M M Adaptor	8	

Machines from 2020

Stone Elevator (with swan neck)

Assy No 61861 & 61995



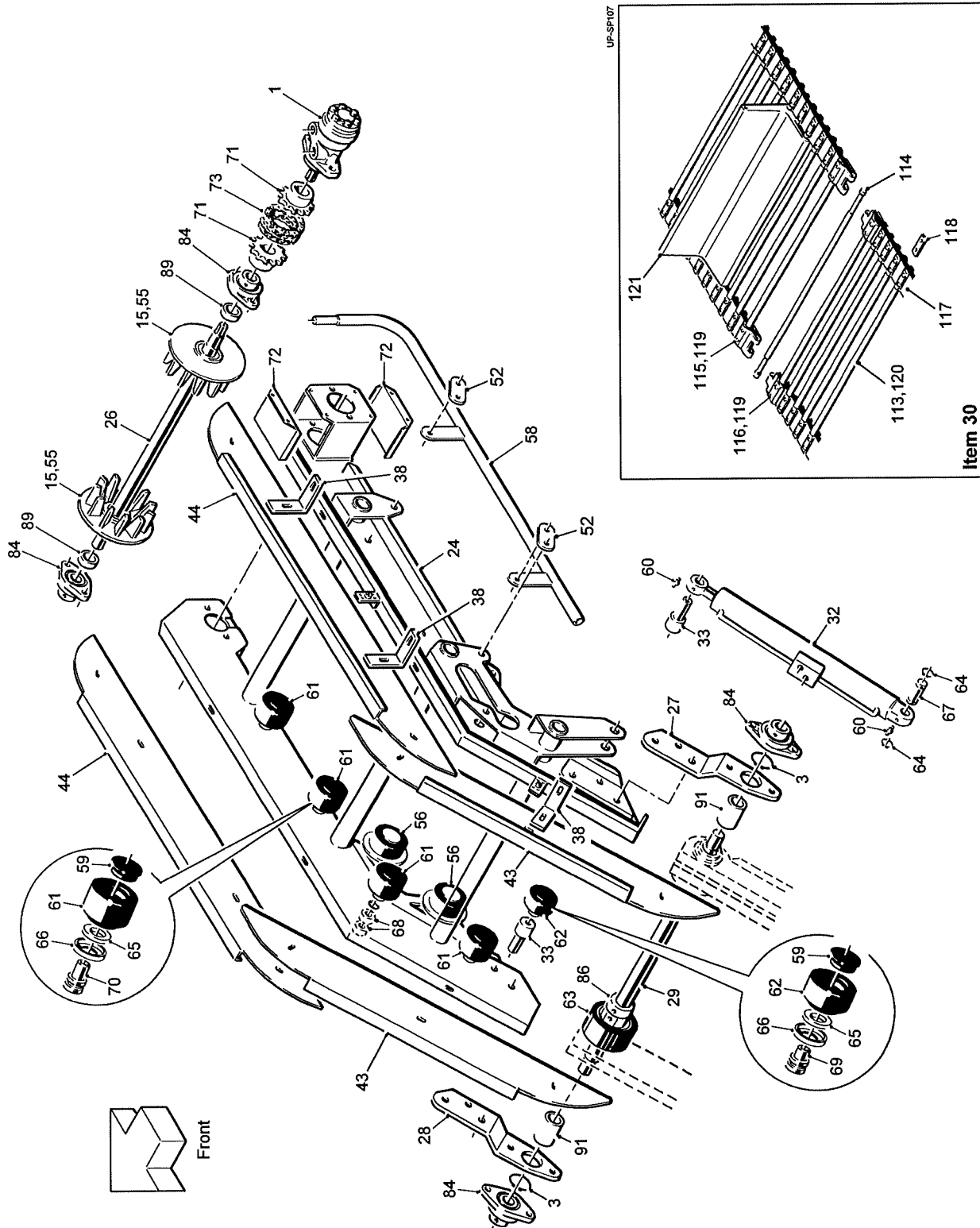
5.16a

STAR UNIPLUS SPARE PARTS

Machines from 2020

Stone Elevator (with swan neck)

Assy No 61861 & 61995



STAR UNIPLUS SPARE PARTS**5.16b**

Machines from 2020

Stone Elevator (with swan neck)**Assy No 61861 & 61995**

Item	Part No.	Description	Qty.	Remarks
1	11201	Hydraulic Motor	1	
2				
3	44176	Ø60 External Circlip	2	
4	47189	Ø90 Plain Roller Assembly	2	(see list at end)
5				
6	50047	Guard Handle	1	
7				
8	52590	Ram Pin	1	
9	57072A	Guard 4 RH	1	
10				
11	61004B	Pivot Mounting	1	
12	61005B	Ram Mounting	1	
13	61006	Lift Frame	1	
14	61007	Hydraulic Ram	1	
15	61010	28mm Pitch Web Sprocket	2	
16	61014	Lower Link	1	
17	61041	Roller Shaft (short)	1	
18	61043	Pivot Pin (short)	4	
19	61044	Pivot Pin (long)	4	
20	61045	Ram Pin	1	
21	61060	Boulder Box Shoulder Bolt	2	
22	61835	Elevator Centre Section	1	
23	61836	Elevator Bottom Section	1	
24	61837	Elevator Swan Neck Section	1	
25	61839	Roller Arm	2	
26	61840	Web Drive Shaft	1	
27	61843	Hinge Plate Rear	1	
28	61844	Hinge Plate Front	1	
29	61846	Roller Shaft (long)	1	
30	61850	28mm Pitch Web Assembly	1	(see list at end)
31	61860	Support Bracket	1	
32	61864	Hydraulic Ram	2	
33	61873	Ram/Roller Pin	2	
34	61963	Elevator Frame	1	
35	61964	Top Link Bracket	2	
36	61965	Clamp	2	Qty x4 on 1600mm
37	61966	Clamp Plate	2	
38	61977	Side Panel Support	16	
39	61978	Lower Side Panel Front	1	
40	61979	Lower Side Panel Rear	1	
41	61980	Upper Side Panel Front	1	
42	61981	Upper Side Panel Rear	1	
43	61982	Swan Neck Lower Side Panel	2	
44	61983	Swan Neck Upper Side Panel	2	
45	61990	Stop Block Support	2	
46	61991	Rubber Stop Block	2	
47	61992	Stop Block Bracket	1	
48				
49				
50	68281	Nylon Rest Strip	2	
51	68196	Lift Bar	2	
52	68156	Link Plate	4	
53	68140	Support Bracket	2	1600mm only
54				
55	HER09681A	Taperlock Bush (1610-35)	2	

5.16c

STAR UNIPLUS SPARE PARTS

Machines from 2020

Stone Elevator (with swan neck)

Assy No 61861 & 61995

Item	Part No.	Description	Qty.	Remarks
56	KA16029	Ø90 Flanged Roller Assembly	10	(see list at end)
57				
58	RPA610.305953	Guard Rail	2	
59	RPC620.303070	Cap	24	
60	RPC648.081250	M8 Grease Nipple Straight	4	
61	RPC700.300147	Ø95 Plain Roller c/w Bearings	20	
62	RPC700.300227	Ø75 Plain Roller c/w Bearing	2	
63	RPC700.301543	Ø132 Roller	4	
64	RPF200.025200	Ø25 External Circlip	4	
65	RPGM070.00446	Felt Seal	24	
66	RPGM089.00565	Roller Shield	24	
67	RPM146.306262	Ram Pin	2	
68	RPM176.306318	Spacer (20mm)	4	
69	RPM180.300308	Roller Bush (30mm)	2	
70	RPM180.303071	Roller Bush (45mm)	24	
71	RPM182.300353	12T 3/4"Pitch Sprocket	2	
72	RPM216.306327	Guard	2	
73	RPT738.600012	3/4"Pitch Duplex Drive Chain	1	
74				
75				
76				
77	DW208007980	Top Link Complete	2	
78	DWS723	Pin	4	
79				
80	PS843	Ø25 External Circlip	8	
81				
82	RPS603	Bearing Guard	2	
83				
84	SFT30	Bearing	6	
85				
86	SPCT131	Ø35 Stop Collar	4	
87				
88	SS040011/003	Steel Spacer	8	
89	SS042036/010	Steel spacer	2	
90	SS042036/022	Steel Spacer	2	
91	SS042036/082	Steel Spacer	2	
92				
	47189	Plain Roller Assembly Consists Of:		
100	0000300504	Felt Seal	2	
101	47141	Roller Spindle	1	
102	6005RS	Bearing	2	
103	PH408	Seal	2	
104	PH77AR	Plain Roller	1	
105	PS843	Circlip	2	
	KA16029	Flanged Roller Assembly Consists Of:		
106	0000300504	Felt Seal	1	
107	KA16029/2	Roller Spindle	1	
108	6005RS	Bearing	2	
109	PH407	Seal	1	
110	PH408	Seal	1	
111	KA16029/1	Flanged Roller	1	
112	PS843	Circlip	2	

STAR UNIPLUS SPARE PARTS**5.16d**

Machines from 2020

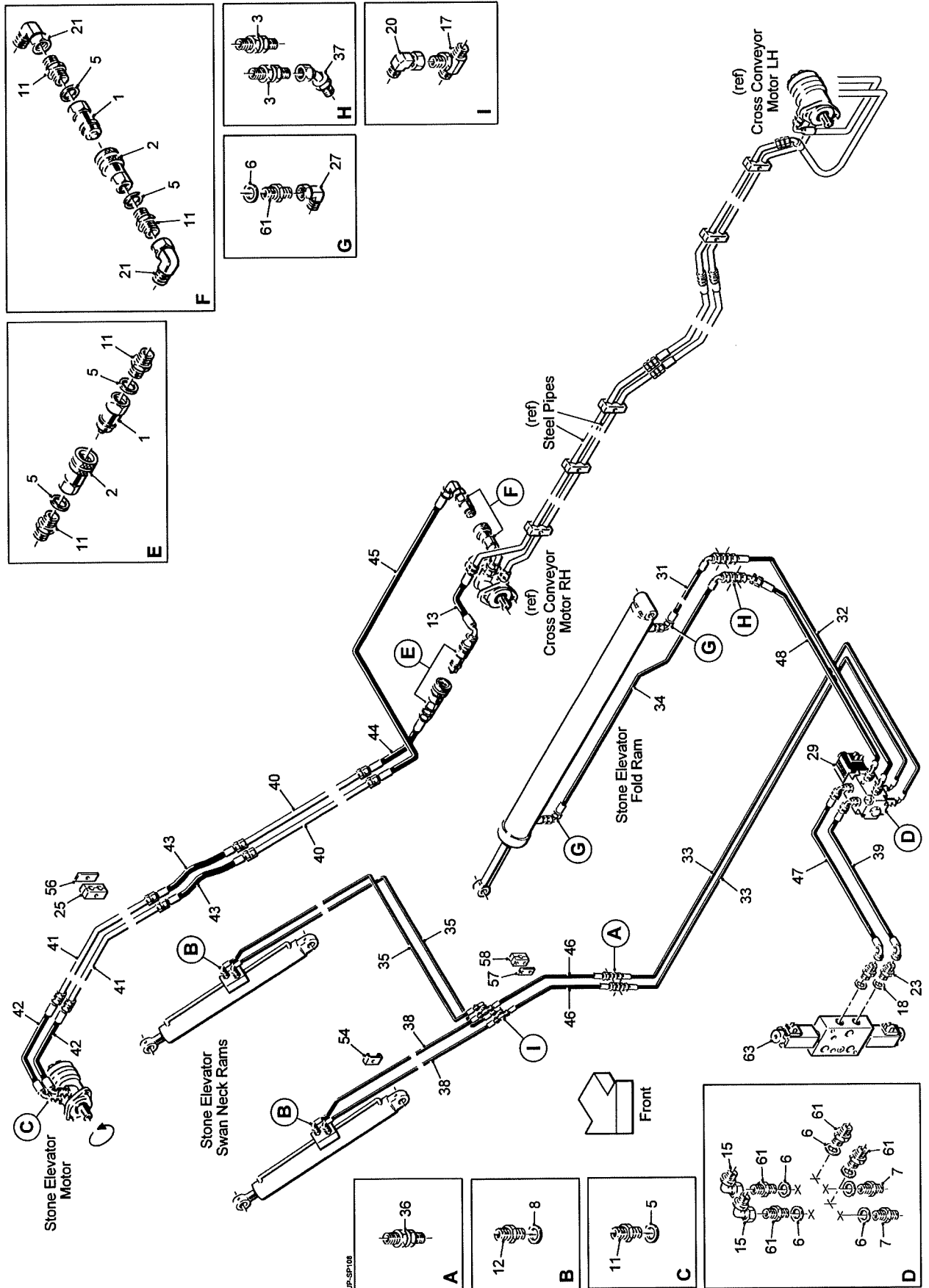
Stone Elevator (with swan neck)**Assy No 61861 & 61995**

Item	Part No.	Description	Qty.	Remarks
	61850	28mm Pitch Web Assembly		
		Consists Of		
113	-	Ø10 Web Rod	360	
114	-	Ø10 Joining Rod	1	
115	-	Female Connector	2	
116	-	Male Connector	2	
117	-	Web Belt	2	
118	-	Clamp Plate	a/r	
119	-	Joiner Rivet	a/r	
120	-	Web Bar Rivet	a/r	
121	-	Flight	36	
		Additional Components for 1600mm		
		Machine Consist Of:		
125	68150	Mounting Bracket Front	1	
126	68151	Mounting Bracket Rear	1	
127	68152	Deflector Support	1	
128	68153	Deflector Rubber	1	
129	68154	Infill Panel Front	1	
130	68155	Infill Panel Rear	1	



Machines from 2020

Stone Elevator Hydraulics (with swan neck)



5.17a**STAR UNIPLUS SPARE PARTS**

Machines from 2020

Stone Elevator Hydraulics (with swan neck)

Item	Part No.	Description	Qty.	Remarks
1	10140	1/2"BSP Quick-Release Probe	2	
2	10141	1/2"BSP Quick-Release Carrier	2	
3	10466	3/8"BSP Bulkhead Adaptor	2	
4				
5	11124	1/2"BSP Dowty Seal	6	
6	11125	3/8"BSP Dowty Seal	8	
7	11336	1/4"BSPx3/8"BSP M M Adaptor	2	
8	11337	1/4"BSP Dowty Seal	4	
9				
10				
11	12315	1/2"BSP M M Adaptor	6	
12	12316	1/4"BSP M M Adaptor	4	
13	12347	1/2"Hose Assembly (700mm)	1	
14				
15	13189	3/8"BSP M F Swept 90° Adaptor	2	
16				
17	27449	1/4"BSP M M M Tee	2	
18	27461	M18 Dowty Seal	2	
19				
20	32474	1/4"BSP M F Compact 90° Adaptor	2	
21	32475	1/2"BSP M F Compact 90° Adaptor	2	
22				
23	37599	M18x3/8"BSP M M Adaptor	2	
24				
25	41401	Pipe Clamp (Ø15-Ø15)	5	
26				
27	42343	3/8"BSP M F Compact 90° Adaptor	2	
28				
29	58255	6-Way Diverter Valve	1	
30				
31	60141	3/8"Hose Assembly (800mm)	1	
32	60169	3/8"Hose Assembly (1450mm)	1	
33	60228	1/4"Hose Assembly (3400mm)	2	
34	60243	3/8"Hose Assembly (1600mm)	1	
35	60304	1/4"Hose Assembly (3200mm)	2	
36	60483	1/4"BSP Bulkhead Adaptor	2	
37	60491	3/8"BSP M F Swept 45° Adaptor	1	
38	60597	1/4"Hose Assembly (2600mm)	2	
39	60733	3/8"Hose Assembly (550mm)	1	
40	60806	Ø15 Steel Pipe Assembly	2	
41	60807	Ø15 Steel Pipe Assembly	2	
42	60817	1/2"Hose Assembly (650mm)	2	
43	60818	1/2"Hose Assembly (1050mm)	2	
44	60819	1/2"Hose Assembly (400mm)	1	
45	60820	1/2"Hose Assembly (900mm)	1	
46	60821	1/4"Hose Assembly (750mm)	2	
47	60822	3/8"Hose Assembly (600mm)	1	
48	60823	3/8"Hose Assembly (1350mm)	1	
49				
50				
51				
52				
53				
54	62401	Pipe Clamp	6	
55				

STAR UNIPLUS SPARE PARTS**5.17b**

Machines from 2020

Stone Elevator Hydraulics (with swan neck)

Item	Part No.	Description	Qty.	Remarks
56	RPC654.308052	Clamp Plate	5	
57	RPC654.309025	Clamp Plate	2	
58	RPC654.309026	Pipe Clamp (Ø12)	2	
59				
60				
61	UC31A	3/8"BSP M M Adaptor	6	
62				
63	46285/3	Valve Section	1	

5.17a

STAR UNIPLUS SPARE PARTS

Machines from 2022

Stone Elevator Hydraulics (with swan neck)

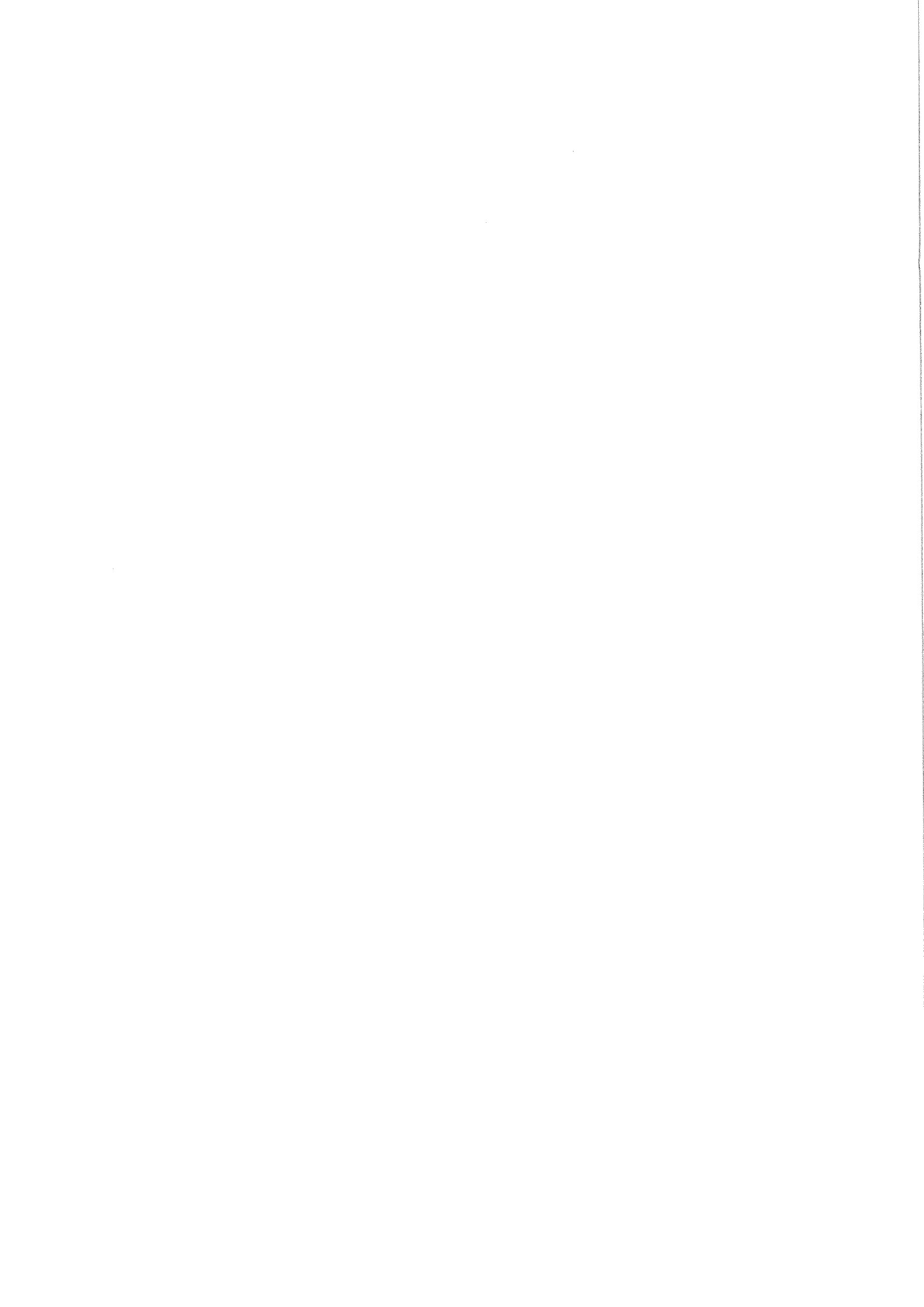
Item	Part No.	Description	Qty.	Remarks
1	10140	1/2"BSP Quick-Release Probe	2	
2				
3	10466	3/8"BSP Bulkhead Adaptor	2	
4				
5	11124	1/2"BSP Dowty Seal	6	
6	11125	3/8"BSP Dowty Seal	12	
7	11336	1/4"BSPx3/8"BSP M M Adaptor	2	
8	11337	1/4"BSP Dowty Seal	4	
9	11746	3/8"Hose Assembly (500mm)	2	
10	12321	1/2"BSP Bulkhead Adaptor	2	
11	12315	1/2"BSP M M Adaptor	3	
12	12316	1/4"BSP M M Adaptor	4	
13				
14				
15	13189	3/8"BSP M F Swept 90°Adaptor	4	
16				
17	27449	1/4"BSP M M M Tee	2	
18	27461	M18 Dowty Seal	2	
19				
20	32474	1/4"BSP M F Compact 90°Adaptor	2	
21				
22				
23	37599	M18x3/8"BSP M M Adaptor	2	
24				
25	41401	Pipe Clamp (Ø15-Ø15)	5	
26				
27				
28				
29	58255	6-Way Diverter Valve	1	
30				
31	60141	3/8"Hose Assembly (800mm)	1	
32	60169	3/8"Hose Assembly (1450mm)	1	
33	60228	1/4"Hose Assembly (3400mm)	2	
34	60243	3/8"Hose Assembly (1600mm)	1	
35	46257	1/4"Hose Assembly (2900mm)	2	
36	60483	1/4"BSP Bulkhead Adaptor	2	
37	60491	3/8"BSP M F Swept 45°Adaptor	1	
38	51527	1/4"Hose Assembly (2300mm)	2	
39	60733	3/8"Hose Assembly (550mm)	1	
40				
41	60807	Ø15 Steel Pipe Assembly	2	
42	60817	1/2"Hose Assembly (650mm)	2	
43				
44				
45				
46	60821	1/4"Hose Assembly (750mm)	2	
47	60822	3/8"Hose Assembly (600mm)	1	
48	60823	3/8"Hose Assembly (1350mm)	1	
49				
50	71017	1/2"Hose Assembly (4250mm)	2	
51	71018	1/2"Hose Assembly (10300mm)	2	
52				
53				
54	62401	Pipe Clamp	6	
55				

STAR UNIPLUS SPARE PARTS**5.17b**

Machines from 2022

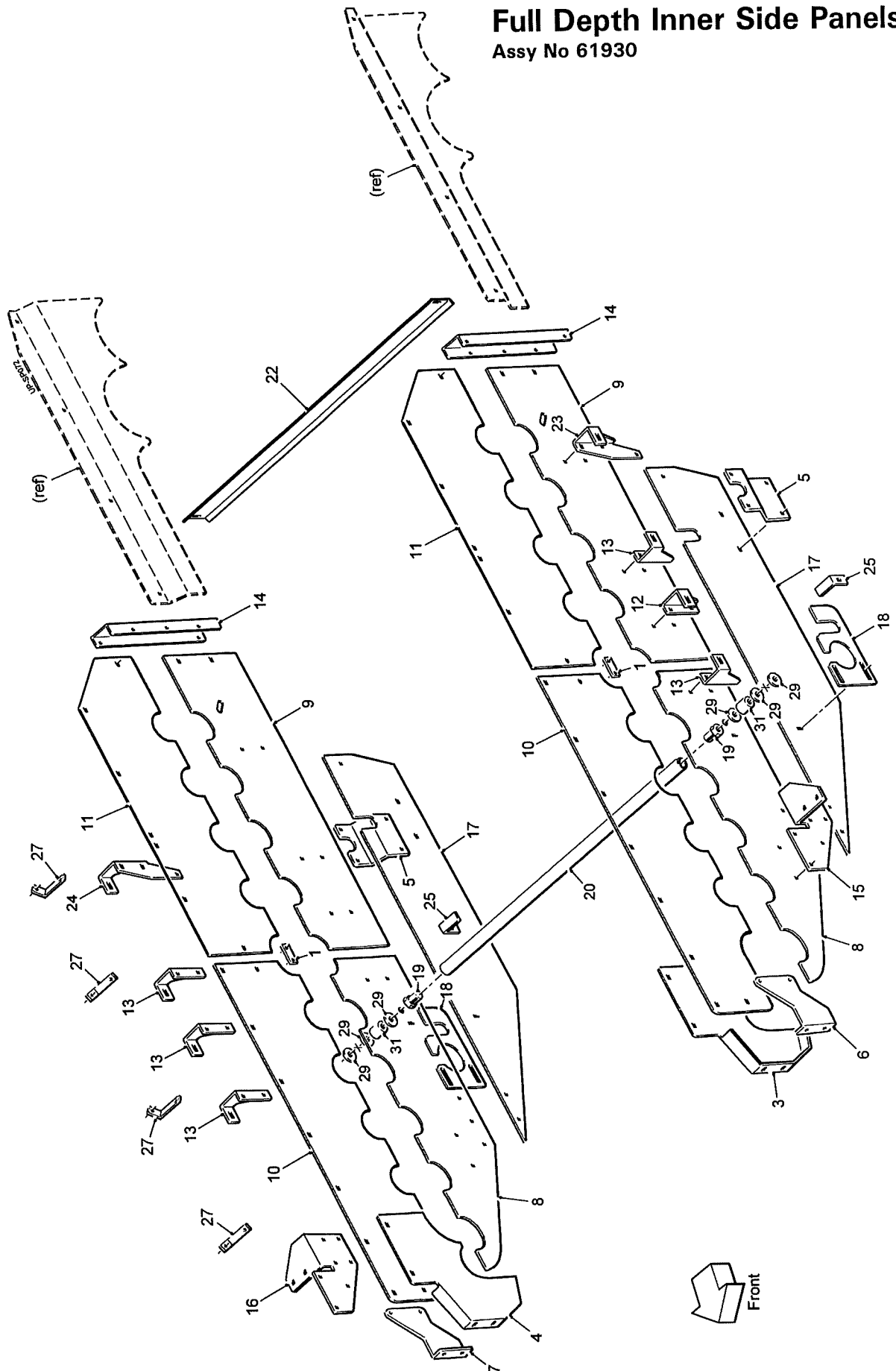
Stone Elevator Hydraulics (with swan neck)

Item	Part No.	Description	Qty.	Remarks
56	RPC654.308052	Clamp Plate	5	
57	RPC654.309025	Clamp Plate	2	
58	RPC654.309026	Pipe Clamp (Ø12)	2	
59				
60				
61	UC31A	3/8"BSP M M Adaptor	10	
62				
63	46285/3	Valve Section	1	
64	46807	In-line Check Valve	1	
65				
66	DWS1134/1	Over-centre Valve	1	



Machines from 2019

Full Depth Inner Side Panels Assy No 61930



6.1a**STAR UNIPLUS SPARE PARTS**

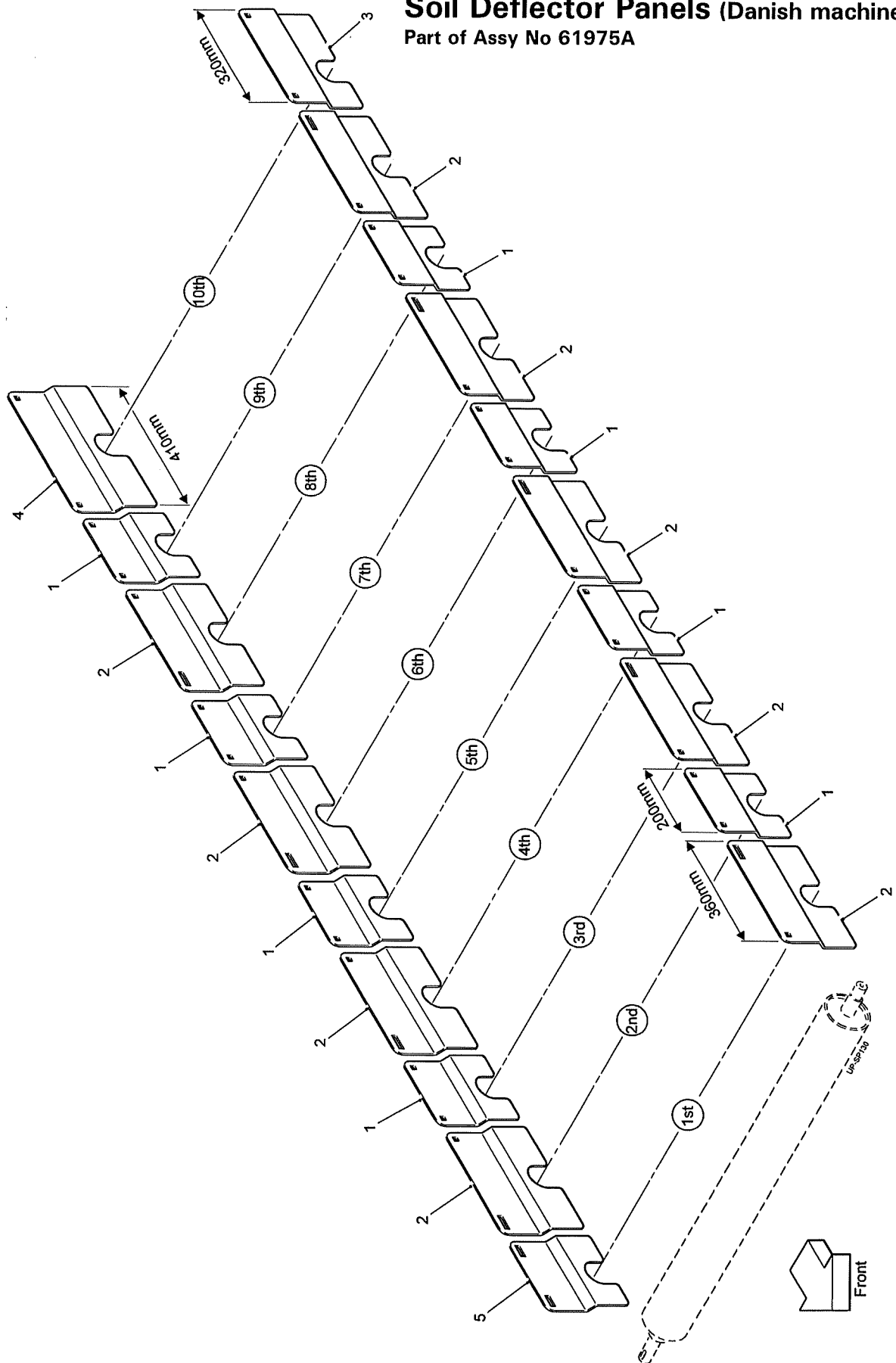
Machines from 2019

Full Depth Inner Side Panels

Assy No 61930

Item	Part No.	Description	Qty.	Remarks
1	54013	Joining Strip	2	
2				
3	61701	Front Panel LH	1	
4	61702	Front Panel RH	1	
5	61720	Panel Support Lower	2	
6	61815	Panel Support LH	1	
7	61816	Panel Support RH	1	
8	61913A	Front Side Panel Lower	2	
9	61914	Rear Side Panel Lower	2	
10	61915	Front Side panel Upper	2	
11	61916	Rear Side Panel Upper	2	
12	61917	Panel Support	1	
13	61918	Panel Support	5	
14	61921	Support Bracket	2	
15	61922	Front Support Bracket LH	1	
16	61923	Front Support Bracket RH	1	
17	61926A	Bottom Panel	2	
18	61927	Infill	2	
19	61936A	Stone Bar Mounting Boss	2	
20	61937A/1500	Stone Bar	1	
21				
22	68063/1500	Deflector Panel	1	
23	68017	Rear Panel Support LH	1	
24	68018	Rear Panel Support RH	1	
25	68019	Side Panel Support	2	
26				
27	57639	Panel Support Bracket	8	
28				
29	RPM196.309317	Washer	6	
30				
31	SS050021/070	Steel Spacer	2	

Soil Deflector Panels (Danish machines)
Part of Assy No 61975A



6.2a**STAR UNIPLUS SPARE PARTS****Soil Deflector Panels (Danish machines)****Part of Assy No 61975A**

Item	Part No.	Description	Qty.	Remarks
1	68229	Soil Deflector Plate Narrow	8	
2	68230	Soil Deflector Plate Wide	9	
3	68231	Soil Deflector Plate Rear LH	1	
4	68232	Soil Deflector Plate Rear RH	1	
5	68233	Soil Deflector Plate Front RH	1	