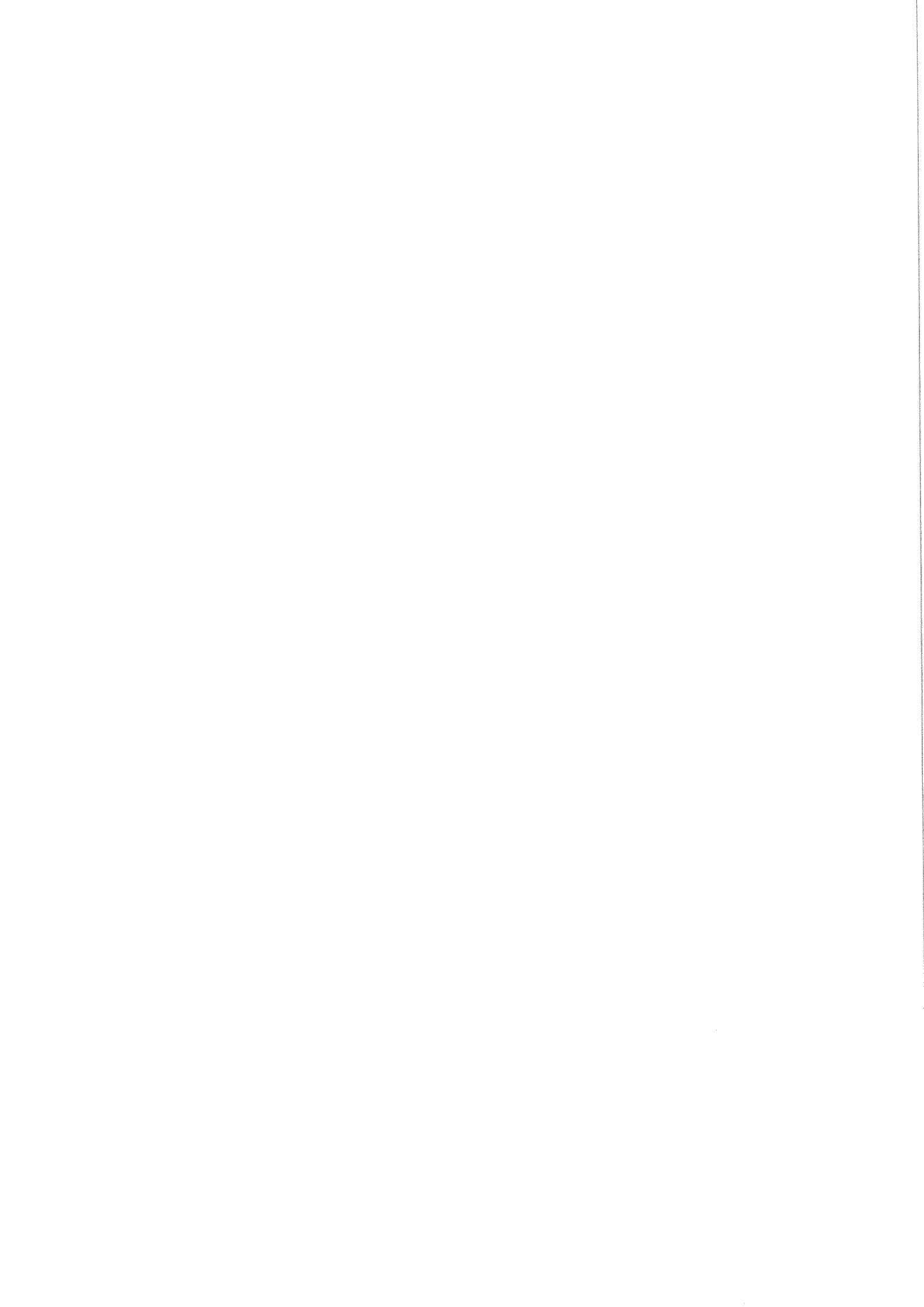


CONTENTS

ALL WEB UNIPLUS SPARE PARTS

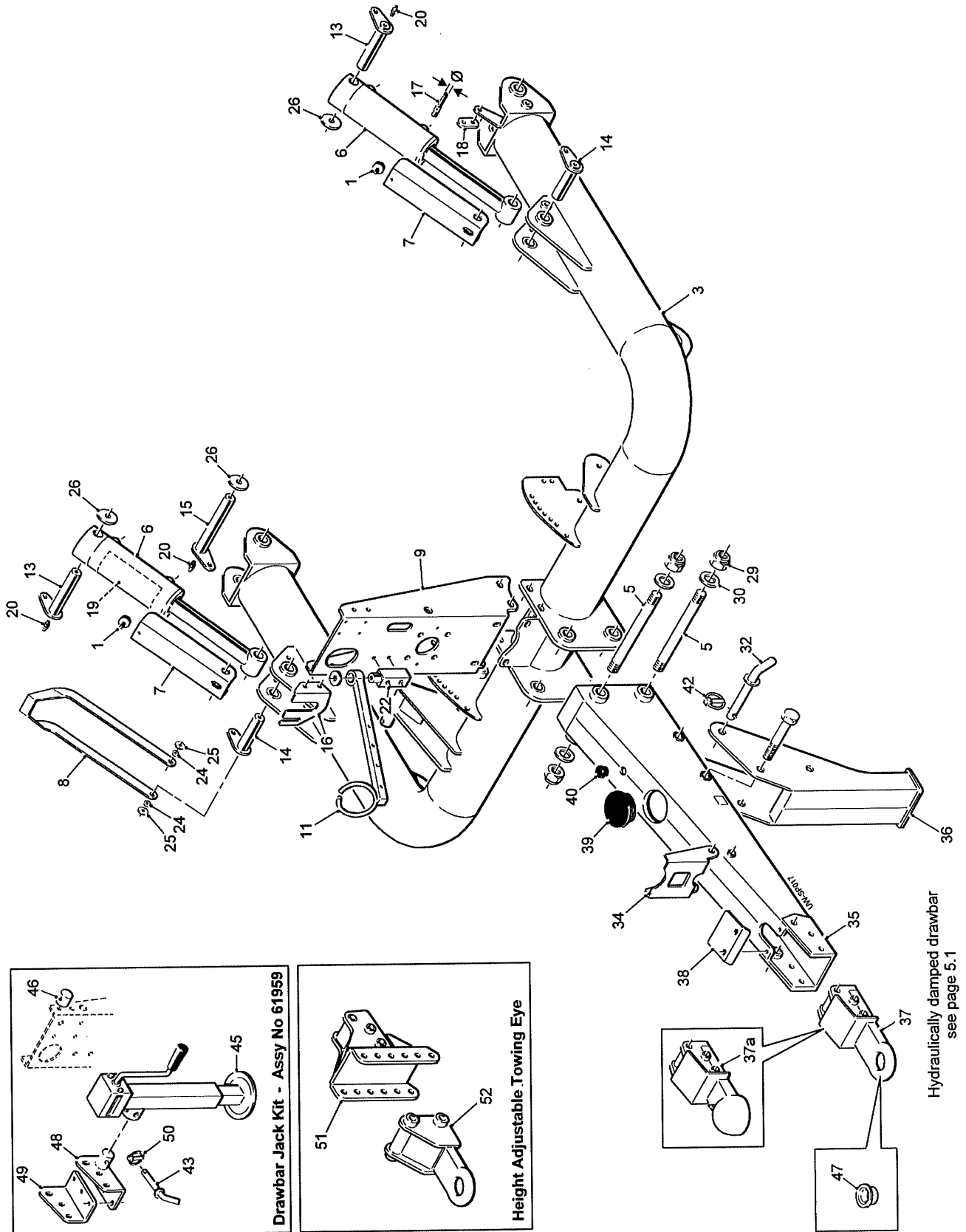
Front Chassis	3.1
Rear Chassis	3.2
Axle Assembly	3.4
Guards Assembly	3.5
Depth Roller Assembly	3.6
Disc Assemblies	3.7
Share Assemblies	3.8
1st, 2nd, 3rd & 4th Webs	3.10
Inner Side Panels (1500mm wide)	3.11
Inner Side Panels (1600mm & 1700mm wide)	3.12
Cross Conveyor Assembly	3.14
Input Drives	4.1
Belt Drives	4.2
Hydraulic Assembly	4.3
Electrical Assembly	4.4
Road Lights	4.5
Hydraulically Damped Drawbar	5.1
Draper Web Assembly	5.2
Vari-Flow Assembly	5.3
Web Compression Kit (for draper web & variflow)	5.4
Boulder Stars Assembly	5.6
Boulder Box Assembly	5.7
Braked Axle Assembly	5.12

Note: When using the following pages to order replacement parts, please quote the full serial number of your machine.



Machines from 2019

Front Chassis



3.1a

ALL WEB UNIPLUS SPARE PARTS

Machines from 2019

Front Chassis


Item	Part No.	Description	Qty.	Remarks
1	43288	Ø25 Rubber Bump Stop	2	
2				
3	57019	Front Chassis Beam	1	1500mm & 1600mm
	57019A	Front Chassis Beam	1	1700mm
4				
5	57124	Drawbar Pin	2	
6	57135	Hydraulic Ram	2	
7	57186	Depth Ram Lock Plate	2	
8	57266	Depth Ram Indicator	1	
9	61732	Bearing Housing Mounting Plate	1	
10				
11	59570	Hose Support Arm	1	
12				
13	61230	Ram Pin (top)	2	
14	61231	Ram Pin (bottom)	2	
15	61233	Chassis Pivot Pin	2	
16	61514	Hose Support Plate	1	
17	41504	Ø12 Proximity Sensor (Vari-flow only)	1	Was 36124 (Ø8)
18	68077A	Ø12 Sensor Mounting (Vari-flow only)	1	Was 68077 (Ø8)
19	RPC632.305158	Depth Indicator Decal	1	
20	RPC648.081250	M8 Grease Nipple Straight	4	
21				
22	RPS230	Pivot Block	1	
23				
24	SS016011/005	Steel Spacer	2	
25	SS025011/003	Steel Spacer	2	
26	SS040013/005	Steel Spacer	4	
27				
28				
29	22041030	M30 Nyloc Nut	4	
30	22046030	M30 Flat Washer	4	
31				
32	57183	Stand Pin	1	
33				
34	61871A	PTO Rest	1	
35	61891	Drawbar	1	
36	61893	Stand	1	
37	61894	Towing Eye	1	
37a	68031	Spoon Hitch	1	Option
38	61895	Cover Plate	1	
39	61900	Blanking Plug	1	
40	61901	Grommet	1	
41				
42	REK215	Linchpin	1	
	61959	Drawbar Jack Kit Consists Of:		
43	41060	Pin	1	
44				
45	61024	Jack	1	
46	61025	Stowage Spigot	1	

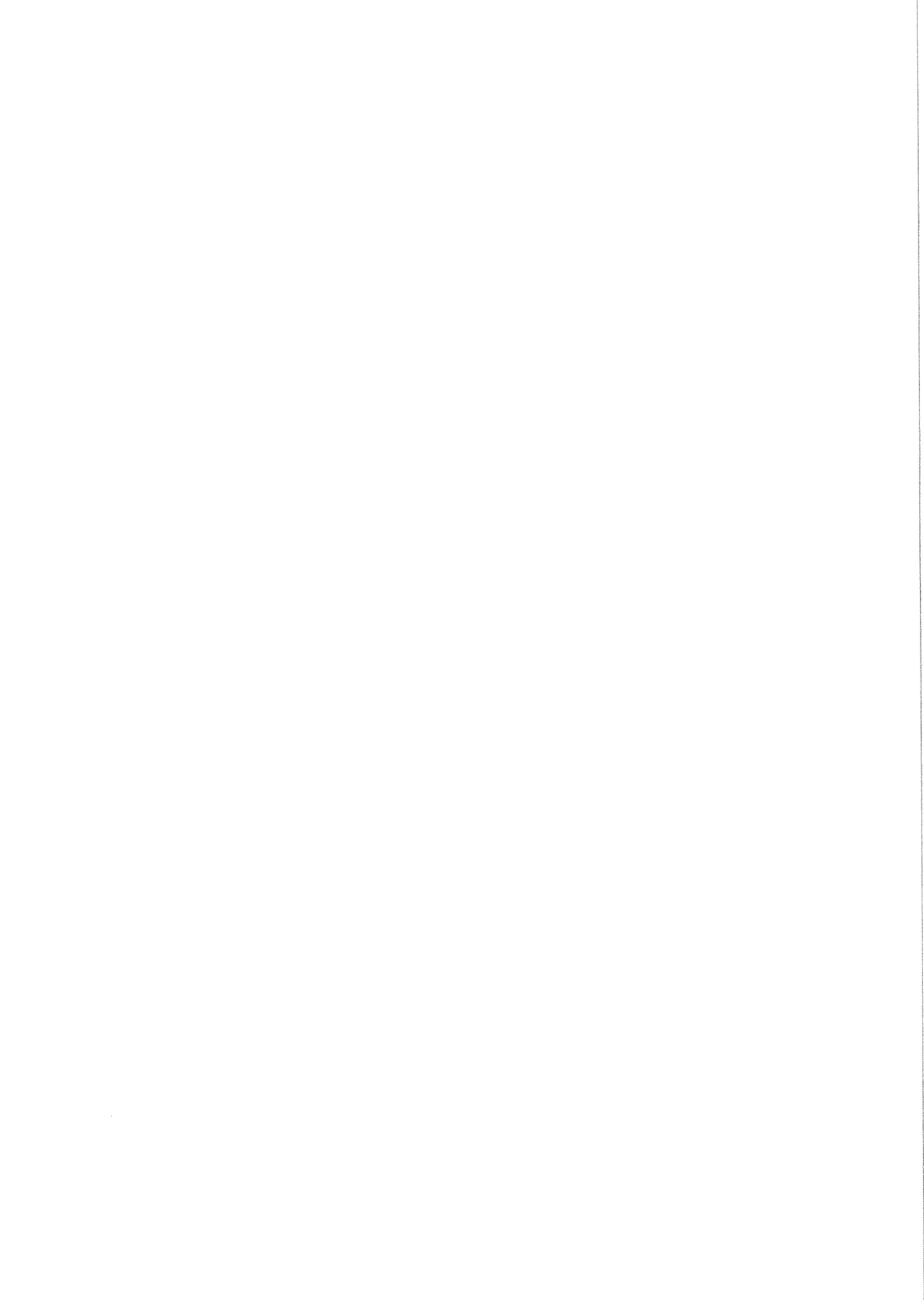
ALL WEB UNIPLUS SPARE PARTS

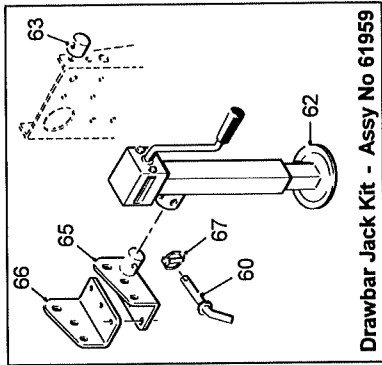
3.1b

Machines from 2019

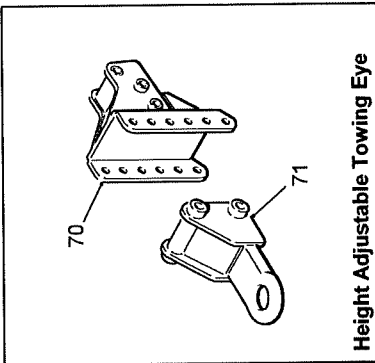
Front Chassis

Item	Part No.	Description	Qty.	Remarks
47	61957	Towing Eye Bush	1	 Part was 61958
48	68157	Mounting Bracket	1	
49	68158	Mounting Plate	1	
50	REK215	Linchpin	1	
		Height Adjustable Towing Eye Consists Of:		
51	68072A	Towing Eye Mounting (6 holes)	1	
52	RPA610.300014	Towing Eye	1	

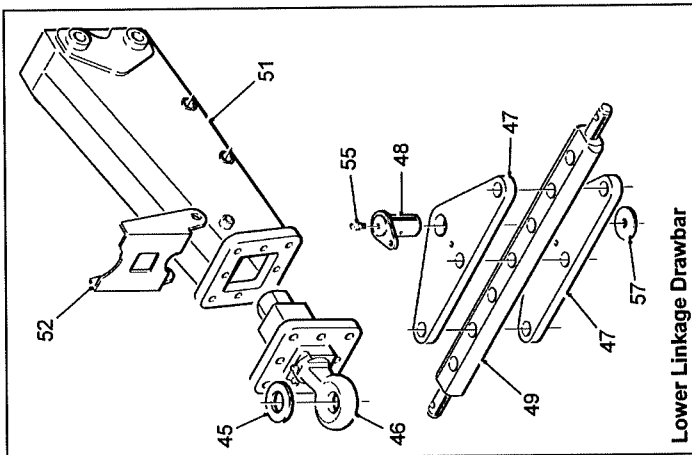
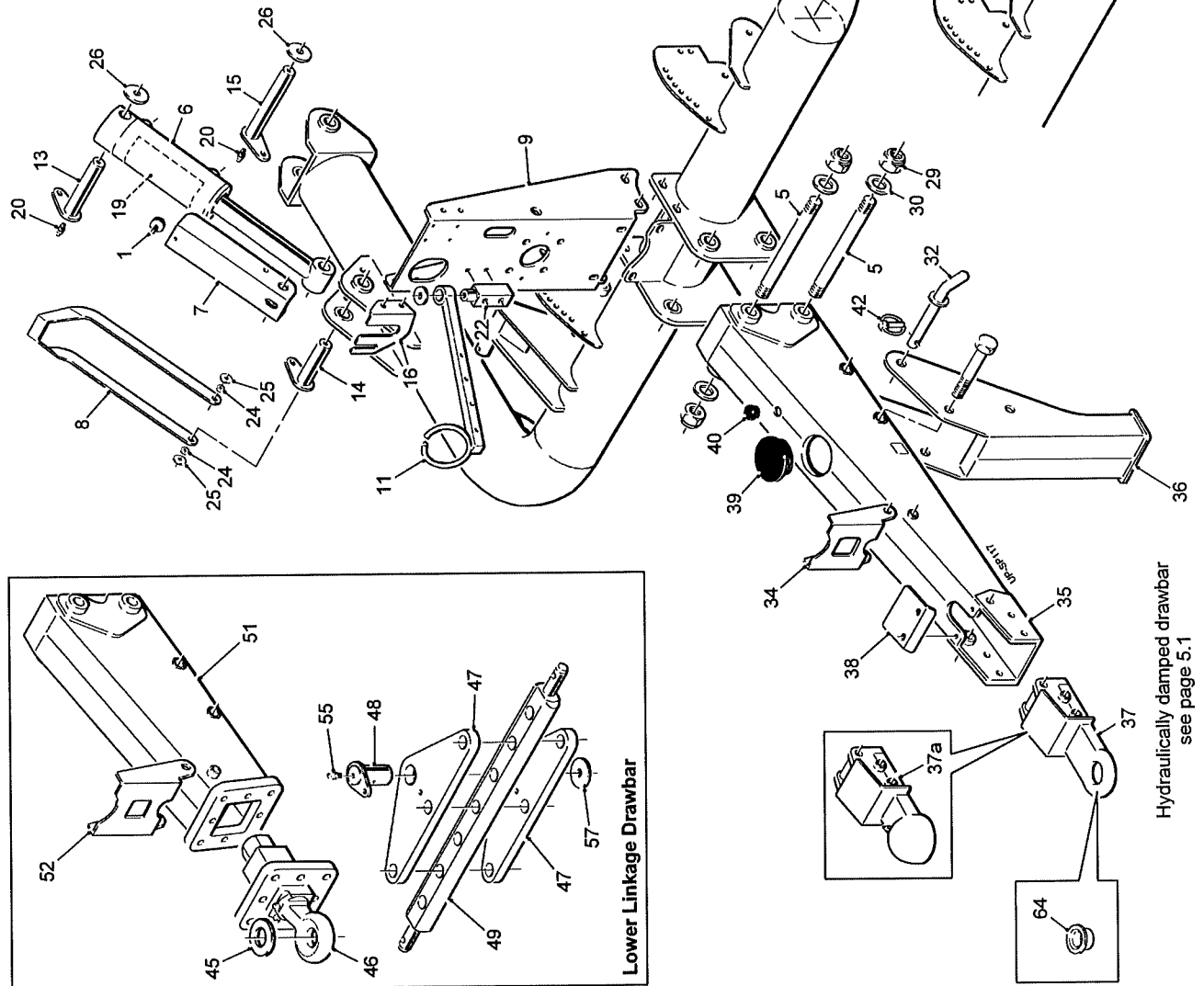




Drawbar Jack Kit - Assy No 61959



Height Adjustable Towing Eye



Lower Linkage Drawbar

Hydraulically damped drawbar
see page 5.1

3.1a**ALL WEB UNIPLUS SPARE PARTS****Front Chassis**

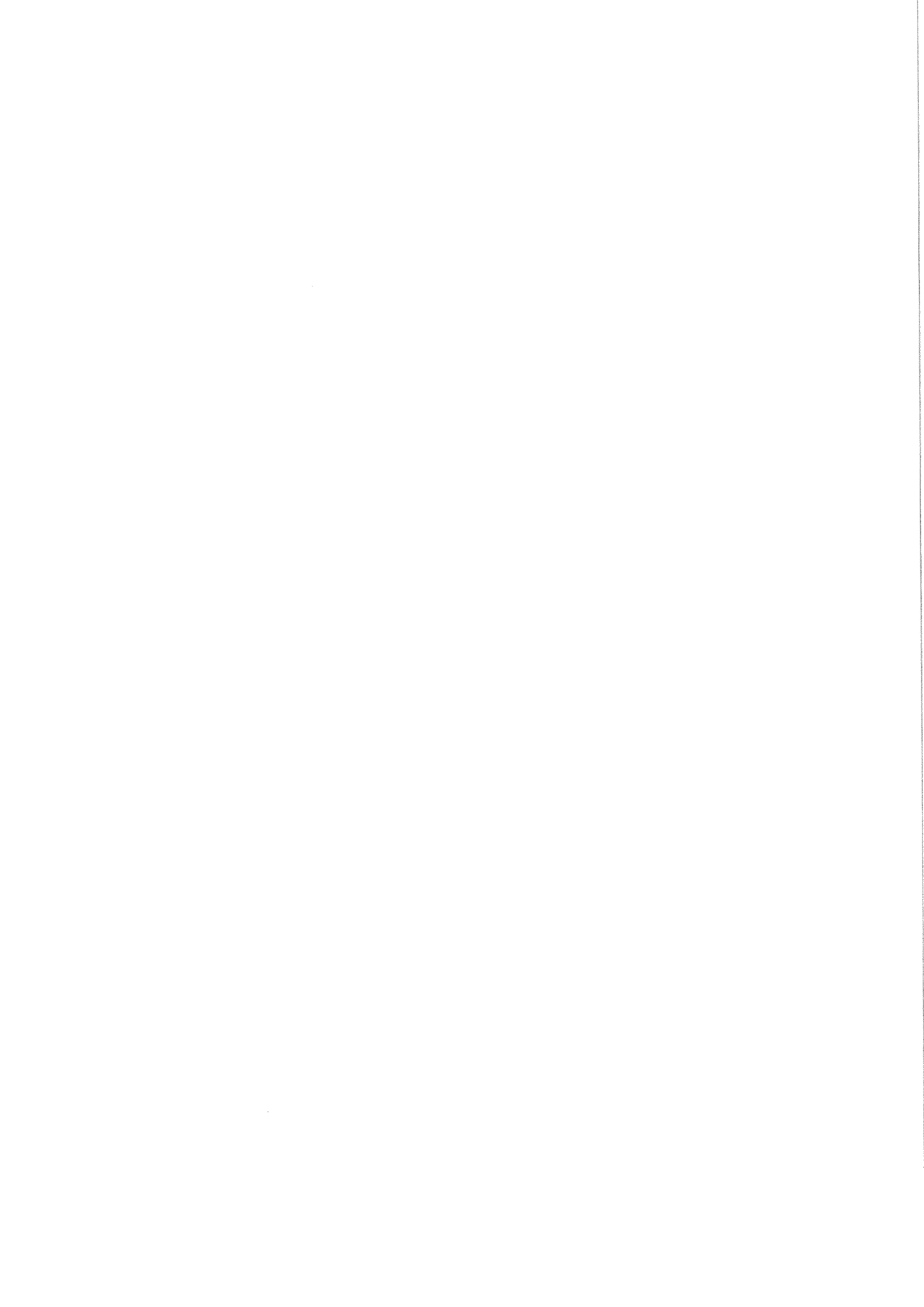
Item	Part No.	Description	Qty.	Remarks
1	43288	Ø25 Rubber Bump Stop	2	
2				
3	57019	Short Front Chassis Beam	1	1500mm & 1600mm
	57019A	Short Front Chassis Beam	1	1700mm
3a	68170	Long Front Chassis Beam	1	1500mm & 1600mm
	68170A	Long Front Chassis Beam	1	1700mm
4				
5	57124	Drawbar Pin	2	
6	57135	Hydraulic Ram	2	
7	57186	Depth Ram Lock Plate	2	
8	57266	Depth Ram Indicator	1	
9	61732	Bearing Housing Mounting Plate	1	Short front chassis
	68197	Bearing Housing Mounting Plate	1	Long front chassis
10				
11	59570	Hose Support Arm	1	
12				
13	61230	Ram Pin (top)	2	
14	61231	Ram Pin (bottom)	2	
15	61233	Chassis Pivot Pin	2	
16	61514	Hose Support Plate	1	
17	41504	Ø12 Proximity Sensor (Vari-flow only)	1	
18	68077A	Ø12 Sensor Mounting (Vari-flow only)	1	
19	RPC632.305158	Depth Indicator Decal	1	
20	RPC648.081250	M8 Grease Nipple Straight	4	
21				
22	RPS230	Pivot Block	1	
23				
24	SS016011/005	Steel Spacer	2	
25	SS025011/003	Steel Spacer	2	
26	SS040013/005	Steel Spacer	4	
27				
28	10282	Quick Release Pin	2	Long front chassis only
29	22041030	M30 Nyloc Nut	4	
30	22046030	M30 Flat Washer	4	
31				
32	57183	Stand Pin	1	
33				
34	61871A	PTO Rest	1	
35	61891	Drawbar	1	
36	61893	Stand	1	
37	61894	Towing Eye	1	
37a	68031	Spoon Hitch	1	Option
38	61895	Cover Plate	1	
39	61900	Blanking Plug	1	
40	61901	Grommet	1	
41				
42	REK215	Linchpin	1	
43				
44				
45	56121	Thrust Washer	1	
46	58292	Swivel Hitch	1	
47	58293	Lower Link Plate	2	
48	58294	Pivot Pin	1	

ALL WEB UNIPLUS SPARE PARTS

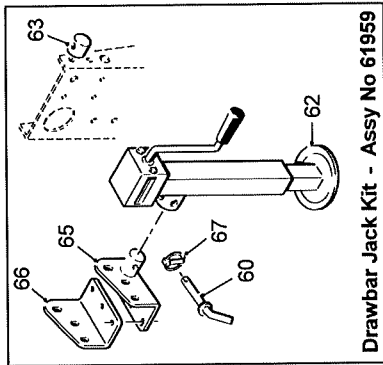
3.1b

Front Chassis

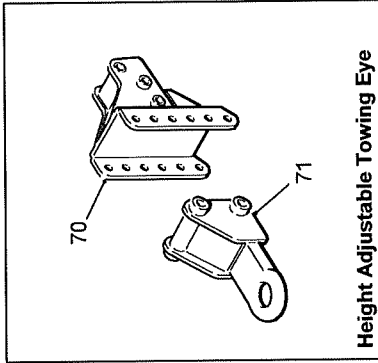
Item	Part No.	Description	Qty.	Remarks
49	58295	CAT2 Lower Link Drawbar	1	
	RFRE0517	CAT3 Lower Link Drawbar	1	
50				
51	68180	Drawbar	1	
52	68181	PTO Rest	1	
53				
54				
55	RPC648.081250	M8 Grease Nipple Straight	1	
56				
57	SS070017/005	Steel Spacer	1	
	61959	Drawbar Jack Kit Consists Of:		
60	41060	Pin	1	
61				
62	61024	Jack	1	
63	61025	Stowage Spigot	1	
64	61957	Towing Eye Bush	1	
65	68157	Mounting Bracket	1	
66	68158	Mounting Plate	1	
67	REK215	Linchpin	1	
		Height Adjustable Towing Eye Consists Of:		
70	68072A	Towing Eye Mounting (6 holes)	1	
71	RPA610.300014	Towing Eye	1	



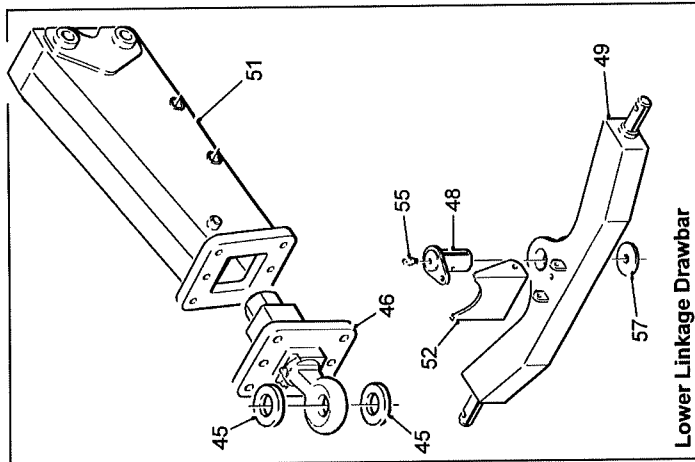
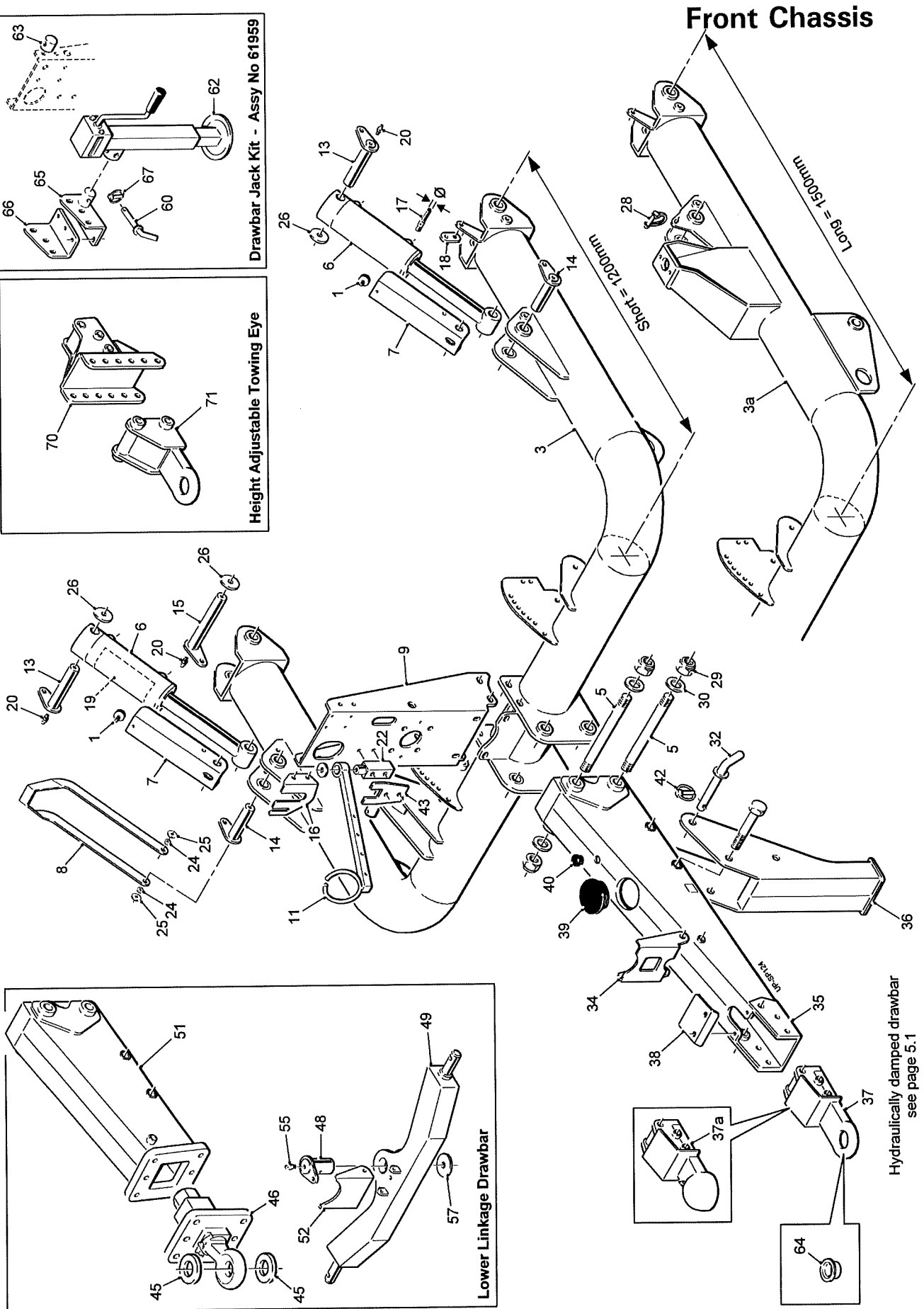
Machines from Serial No. UNP-304



Drawbar Jack Kit - Assy No 61959



Height Adjustable Towing Eye



Lower Linkage Drawbar

Hydraulically damped drawbar
see page 5.1

3.1a**ALL WEB UNIPLUS SPARE PARTS**

Machines from Serial No. UNP-304

Front Chassis

Item	Part No.	Description	Qty.	Remarks
1	43288	Ø25 Rubber Bump Stop	2	
2				
3	57019	Short Front Chassis Beam	1	1500mm & 1600mm
	57019A	Short Front Chassis Beam	1	1700mm
3a	68170	Long Front Chassis Beam	1	1500mm & 1600mm
	68170A	Long Front Chassis Beam	1	1700mm
4				
5	57124	Drawbar Pin	2	
6	57135	Hydraulic Ram	2	
7	57186	Depth Ram Lock Plate	2	
8	57266	Depth Ram Indicator	1	
9	61732	Bearing Housing Mounting Plate	1	Short front chassis
	68197	Bearing Housing Mounting Plate	1	Long front chassis
10				
11	59570	Hose Support Arm	1	
12				
13	61230	Ram Pin (top)	2	
14	61231	Ram Pin (bottom)	2	
15	61233	Chassis Pivot Pin	2	
16	61514	Hose Support Plate	1	
17	41504	Ø12 Proximity Sensor (Vari-flow only)	1	
18	68077A	Ø12 Sensor Mounting (Vari-flow only)	1	
19	RPC632.305158	Depth Indicator Decal	1	
20	RPC648.081250	M8 Grease Nipple Straight	4	
21				
22	RPS230	Pivot Block	1	
23				
24	SS016011/005	Steel Spacer	2	
25	SS025011/003	Steel Spacer	2	
26	SS040013/005	Steel Spacer	4	
27				
28	10282	Quick Release Pin	2	Long front chassis only
29	22041030	M30 Nyloc Nut	4	
30	22046030	M30 Flat Washer	4	
31				
32	57183	Stand Pin	1	
33				
34	61871A	PTO Rest	1	
35	61891	Drawbar	1	
36	61893	Stand	1	
37	61894	Towing Eye	1	
37a	68031	Spoon Hitch	1	Option
38	61895	Cover Plate	1	
39	61900	Blanking Plug	1	
40	61901	Grommet	1	
41				
42	REK215	Linchpin	1	
43	RPS232	Stop Plate	1	
44				
45	68204	Thrust Washer	2	
46	68206	Swivel Hitch	1	
47				
48	58294	Pivot Pin	1	

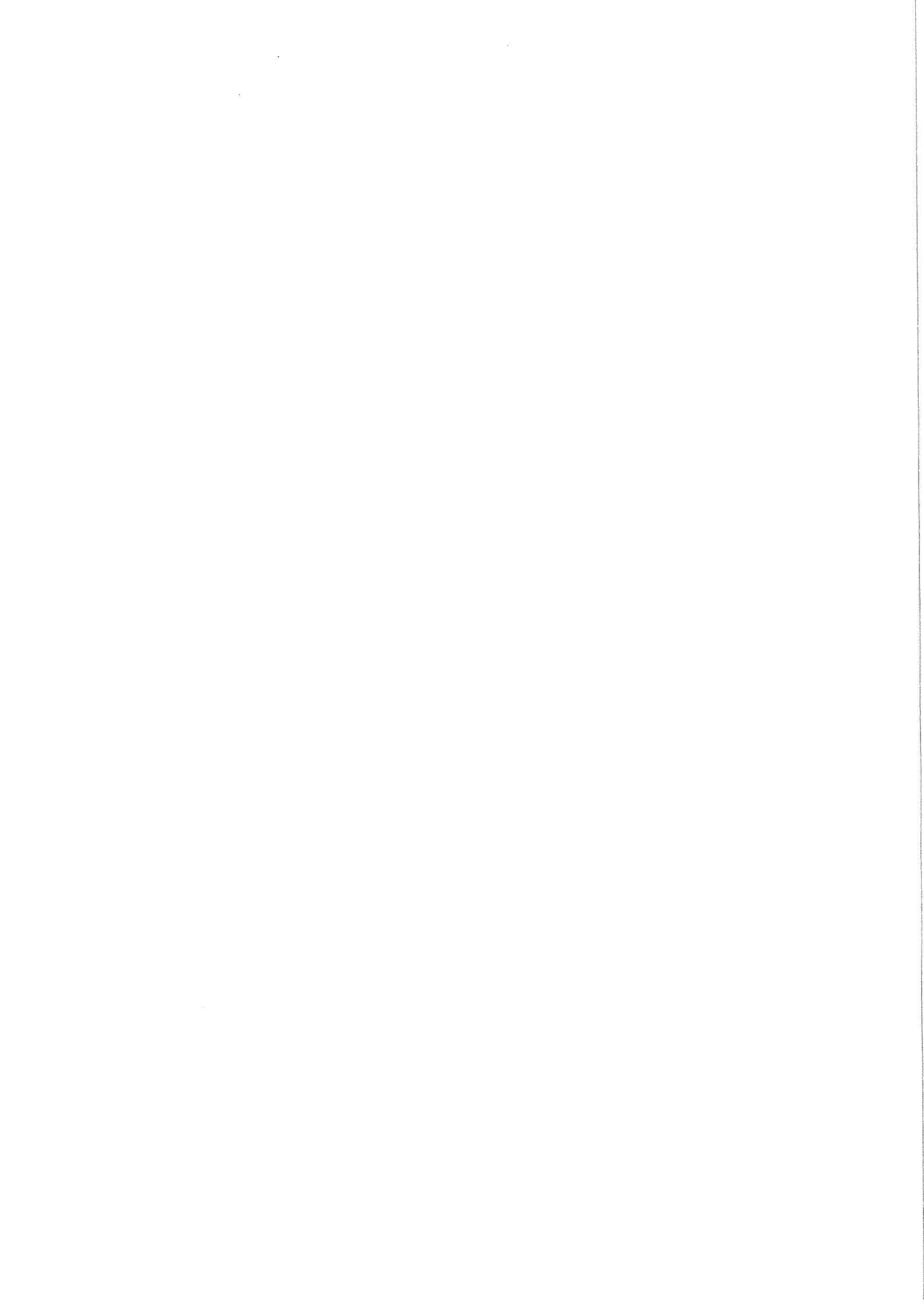
ALL WEB UNIPLUS SPARE PARTS

3.1b

Machines from Serial No. UNP-304

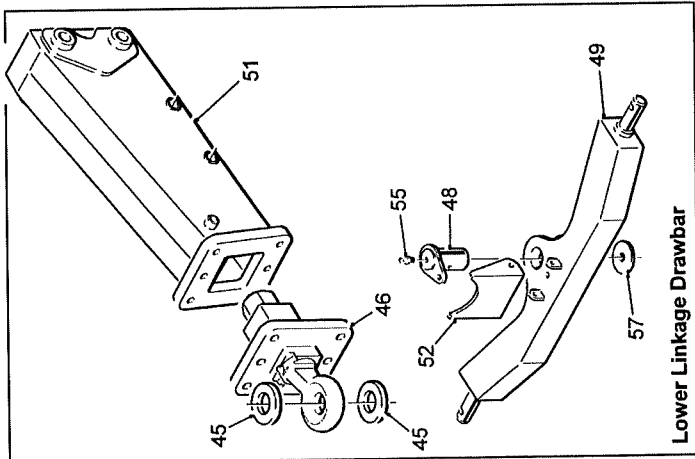
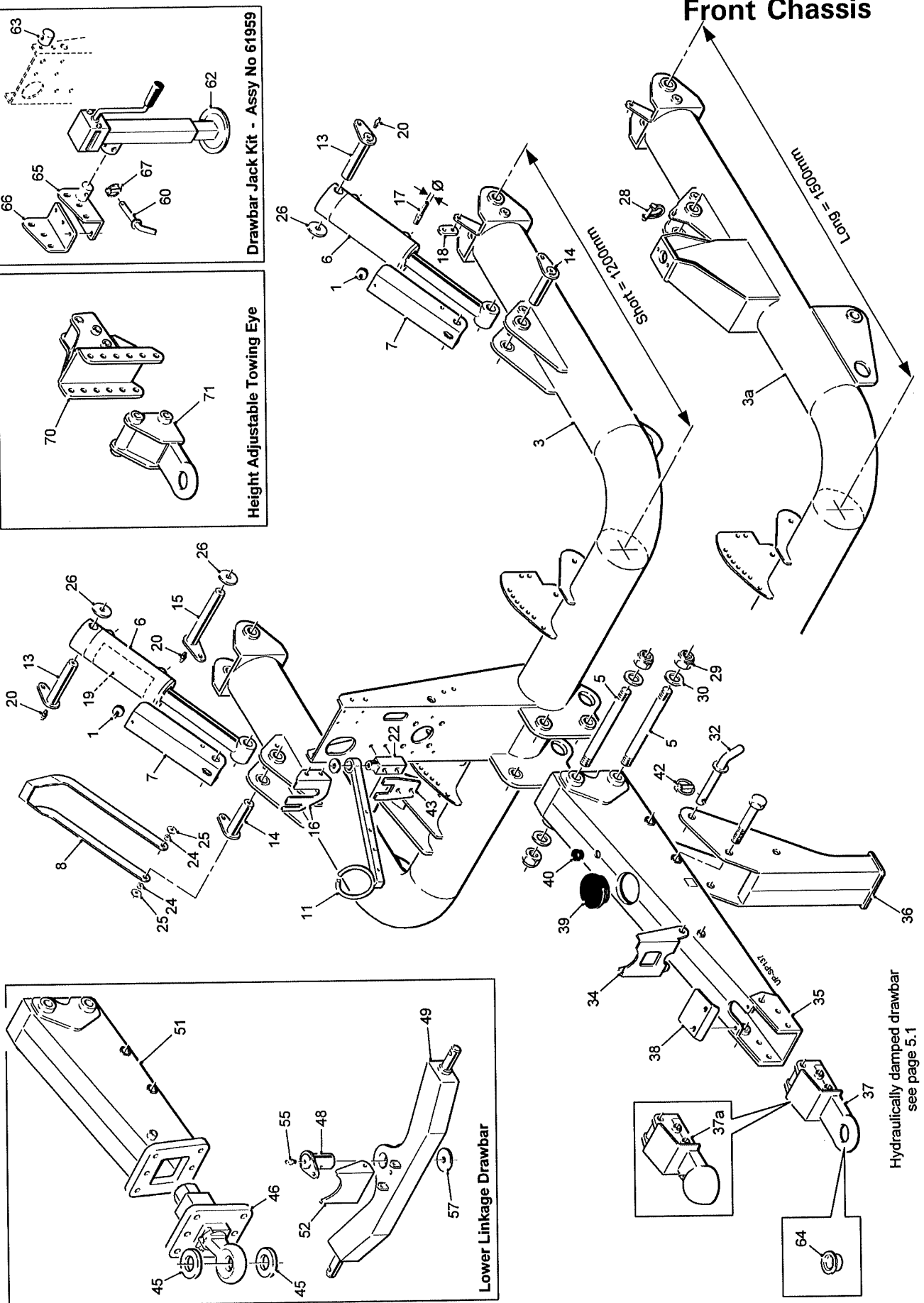
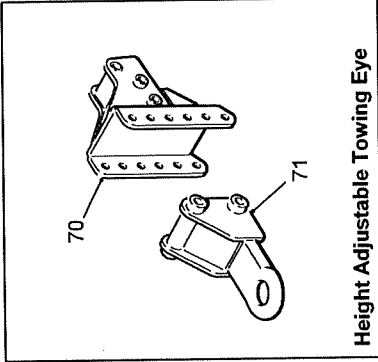
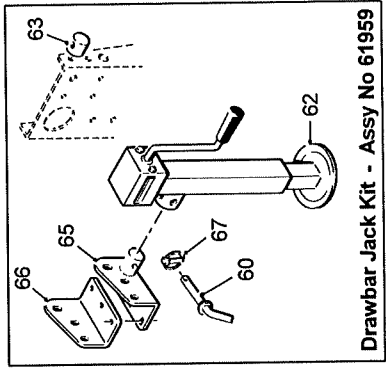
Front Chassis

Item	Part No.	Description	Qty.	Remarks
49	68203	CAT3 Lower Link Drawbar	1	
			1	
50				
51	68180	Drawbar	1	
52	58278A	PTO Rest	1	
53				
54				
55	RPC648.081250	M8 Grease Nipple Straight	1	
56				
57	SS070017/005	Steel Spacer	1	
	61959	Drawbar Jack Kit Consists Of:		
60	41060	Pin	1	
61				
62	61024	Jack	1	
63	61025	Stowage Spigot	1	
64	61957	Towing Eye Bush	1	
65	68157	Mounting Bracket	1	
66	68158	Mounting Plate	1	
67	REK215	Linchpin	1	
		Height Adjustable Towing Eye Consists Of:		
70	68072A	Towing Eye Mounting (6 holes)	1	
71	RPA610.300014	Towing Eye	1	



Machines from 2025

Front Chassis



Hydraulically damped drawbar
see page 5.1

3.1a**ALL WEB UNIPLUS SPARE PARTS**

Machines from 2025

Front Chassis

Item	Part No.	Description	Qty.	Remarks
1	43288	Ø25 Rubber Bump Stop	2	
2				
3	57019E	Short Front Chassis Beam	1	1500mm & 1600mm
	57019C	Short Front Chassis Beam	1	1700mm
3a	68170E	Long Front Chassis Beam	1	1500mm & 1600mm
	68170C	Long Front Chassis Beam	1	1700mm
4				
5	57124	Drawbar Pin	2	
6	57135	Hydraulic Ram	2	
7	57186	Depth Ram Lock Plate	2	
8	57266	Depth Ram Indicator	1	
9				
10				
11	59570	Hose Support Arm	1	
12				
13	61230	Ram Pin (top)	2	
14	61231	Ram Pin (bottom)	2	
15	61233	Chassis Pivot Pin	2	
16	61514	Hose Support Plate	1	
17	41504	Ø12 Proximity Sensor (Vari-flow only)	1	
18	68077A	Ø12 Sensor Mounting (Vari-flow only)	1	
19	RPC632.305158	Depth Indicator Decal	1	
20	RPC648.081250	M8 Grease Nipple Straight	4	
21				
22	RPS230	Pivot Block	1	
23				
24	SS016011/005	Steel Spacer	2	
25	SS025011/003	Steel Spacer	2	
26	SS040013/005	Steel Spacer	4	
27				
28	10282	Quick Release Pin	2	Long front chassis only
29	22041030	M30 Nyloc Nut	4	
30	22046030	M30 Flat Washer	4	
31				
32	57183	Stand Pin	1	
33				
34	61871A	PTO Rest	1	
35	61891	Drawbar	1	
36	61893	Stand	1	
37	61894	Towing Eye	1	
37a	68031	Spoon Hitch	1	Option
38	61895	Cover Plate	1	
39	61900	Blanking Plug	1	
40	61901	Grommet	1	
41				
42	REK215	Linchpin	1	
43	RPS232	Stop Plate	1	
44				
45	68204	Thrust Washer	2	
46	68206	Swivel Hitch	1	
47				
48	58294	Pivot Pin	1	

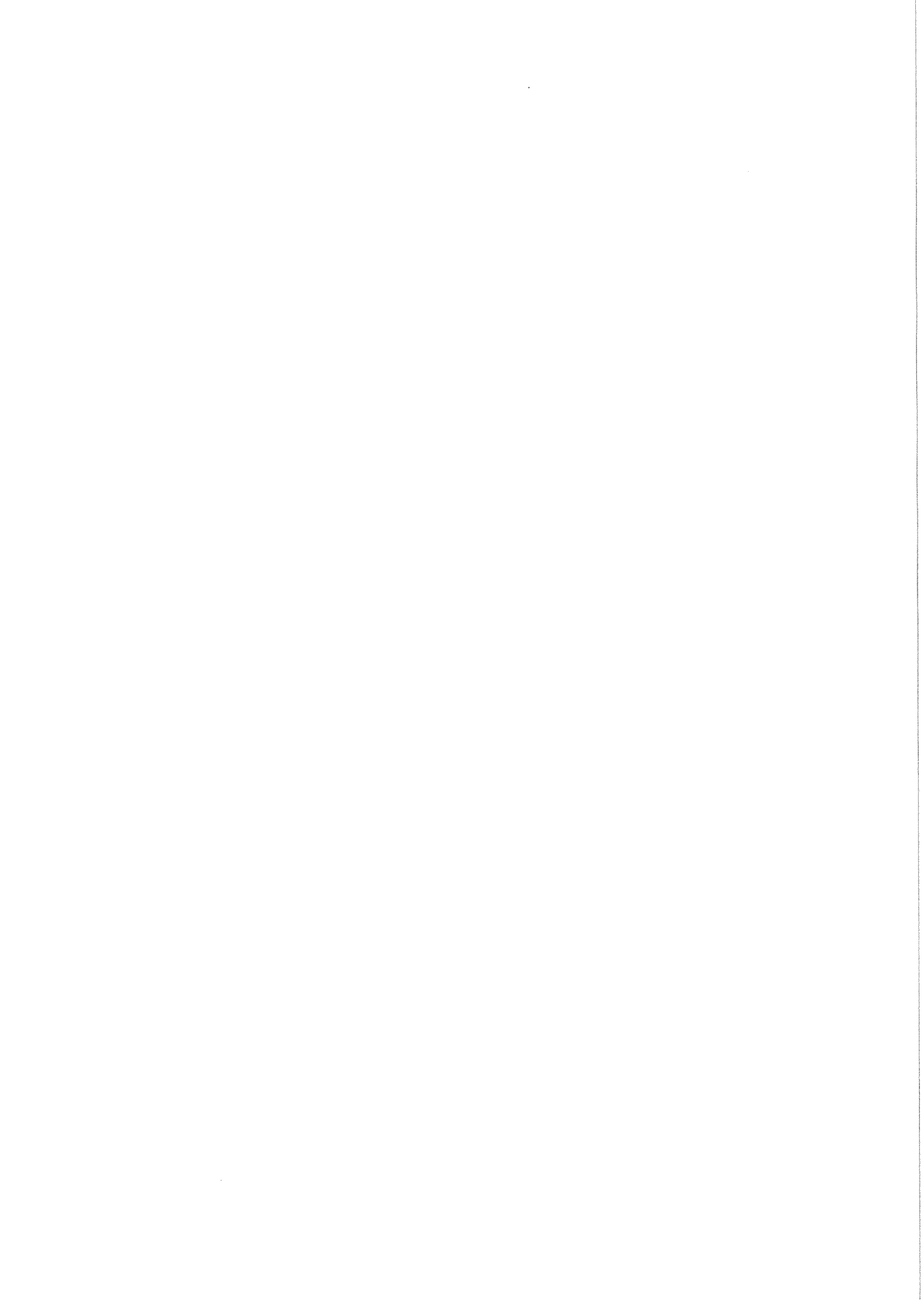
ALL WEB UNIPLUS SPARE PARTS

3.1b

Machines from 2025

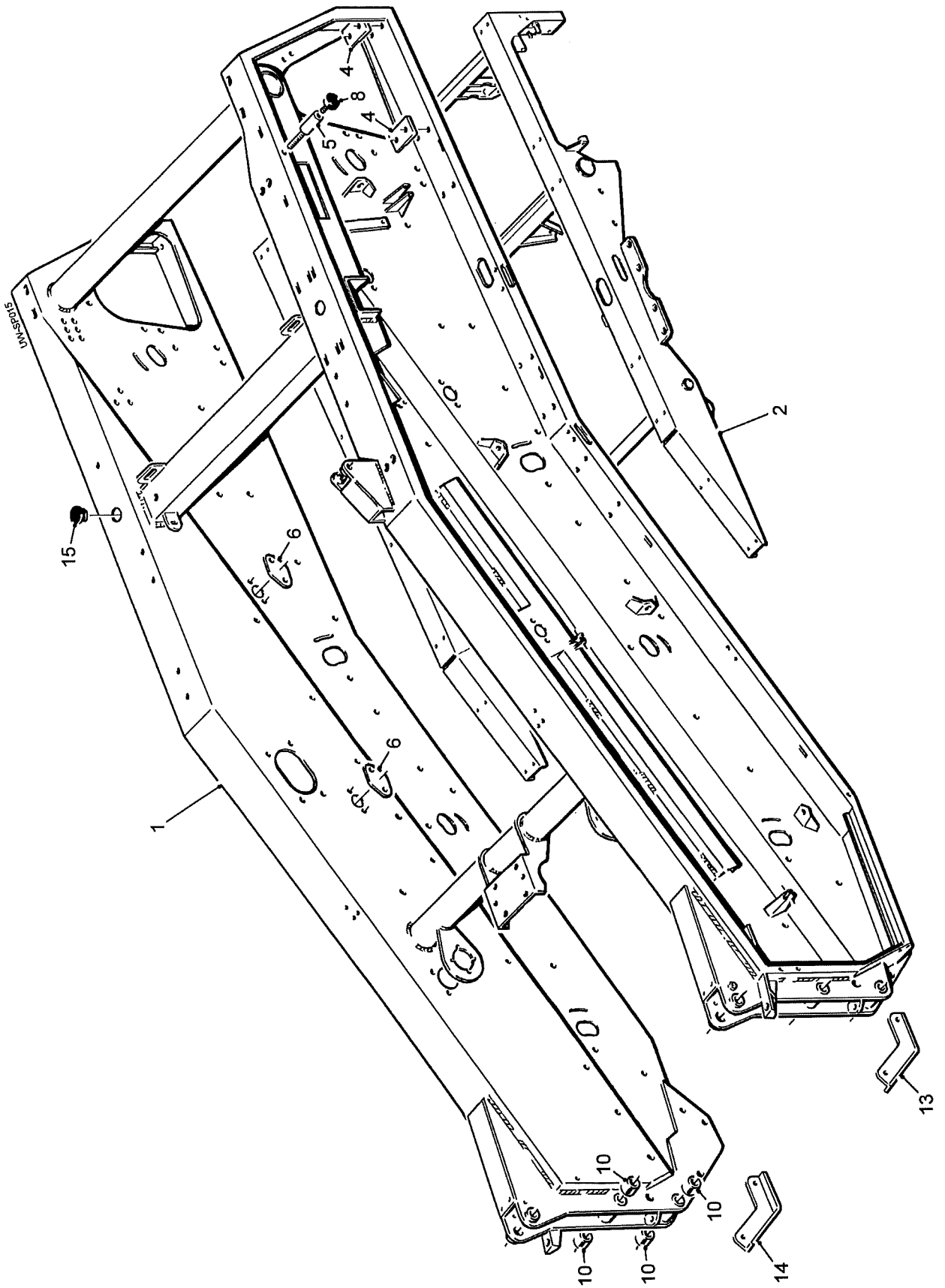
Front Chassis

Item	Part No.	Description	Qty.	Remarks
49	68203	CAT3 Lower Link Drawbar	1	
			1	
50				
51	68180	Drawbar	1	
52	58278A	PTO Rest	1	
53				
54				
55	RPC648.081250	M8 Grease Nipple Straight	1	
56				
57	SS070017/005	Steel Spacer	1	
	61959	Drawbar Jack Kit Consists Of:		
60	41060	Pin	1	
61				
62	61024	Jack	1	
63	61025	Stowage Spigot	1	
64	61957	Towing Eye Bush	1	
65	68157	Mounting Bracket	1	
66	68158	Mounting Plate	1	
67	REK215	Linchpin	1	
		Height Adjustable Towing Eye Consists Of:		
70	68072A	Towing Eye Mounting (6 holes)	1	
71	RPA610.300014	Towing Eye	1	



Machines from 2019

Rear Chassis



3.2a**ALL WEB UNIPLUS SPARE PARTS**

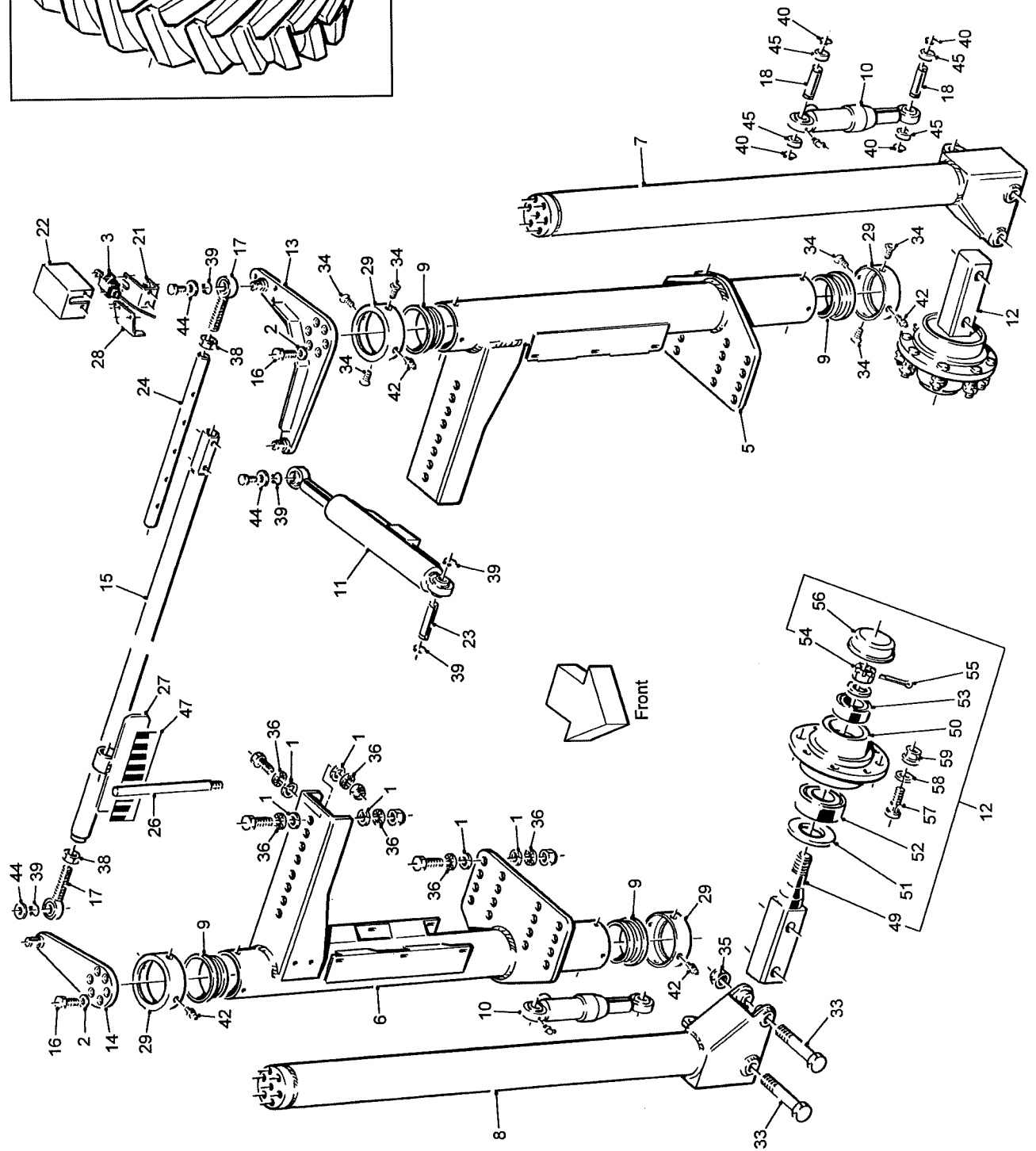
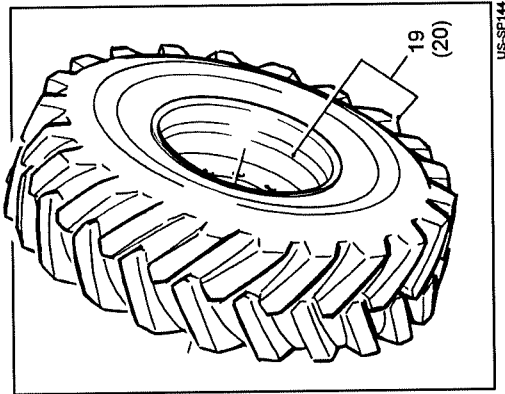
Machines from 2019

Rear Chassis

Item	Part No.	Description	Qty.	Remarks
1	57771	Rear Chassis (1500mm & 1600mm)	1	
	57771A	Rear Chassis (1700mm)	1	
2	57778	Bottom Frame (1500mm & 1600mm)	1	
	57778A	Bottom Frame (1700mm)	1	
3				
4	57764	Clamp Plate	2	
5	68037	Bump Stop Mounting	1	
6	61064	Blanking Plate	4	
7				
8	DW901922	Ø50 Rubber Bump Stop	1	
9				
10	RPB250.303440	Bush	8	
11				
12				
13	68105	Wear Plate LH	1	
14	68106	Wear Plate RH	1	
15	68215	Plastic Insert	2	

Machines from 2019

Axle Assembly
Assy No 57093A



3.4a

ALL WEB UNIPLUS SPARE PARTS

Machines from 2019

Axle Assembly

Assy No 57093A

Item	Part No.	Description	Qty.	Remarks
1	42059A/8	M20 Spherical Spring Washer	32	
2	23255	M18 Spherical Spring Washer	12	
3	56320	Steering Sensor	1	
4				
5	61262	LH Outer Pillar	1	
6	61263	RH Outer Pillar	1	
7	61264	LH Inner Pillar	1	
8	61265	RH Inner Pillar	1	
9	57025	Axle Bush	4	
10	57028	Hydraulic Ram	2	
11	61285	Hydraulic Ram	1	
12	57030	Stub Axle Complete	2	(see list at end)
13	57031	LH Steering Arm	1	
14	57032	RH Steering Arm	1	
15	57694	Track Rod	1	
16	22123018/050	M18x50 Setscrew(grade 10.9)	12	
17	57035	Male Rod End	2	
18	57069	Ram Pin	4	
19	57450	LH 14.5x20 Trackgrip Tyre c/w Rim	1	
			1	
20	57451	RH 14.5x20 Trackgrip Tyre c/w Rim	1	
			1	
21	57152	Sensor Plate	1	
22	57154	Sensor Cover	1	
23	57161	Ram Pin	1	
24	57695	Track Rod End (1500mm & 1600mm)	1	
	57695A	Track Rod End (1700mm)	1	
25				
26	57267	Steering Indicator Pin	1	
27	57699	Steering Indicator Plate	1	
28	57763	Sensor Arm Lug	1	
29	61267	Bush Retainer	4	
30				
31				
32				
33	22012030/200	M30x200 Bolt	4	
34	22016008/016	M8x16 CSK Socket Head Screw	12	
35	22041030	M30 Nyloc Nut	4	
36	22121020	M20 Nordlock Washer	32	
37				
38	RPF174.524000	M24 Half Nut	2	
39	RPF200.025200	Ø25 External Circlip	5	
40	RPF200.030200	Ø30 External Circlip	8	
41	RPC648.061002	M6 Grease Nipple 90°	2	
42	RPC648.081250	M8 Grease Nipple Straight	4	
43				
44	SS030011/005	Steel Spacer	3	
45	SS040031/008	Steel Spacer	8	
46				
47	TR468	Steering Indicator Decal	1	
48				

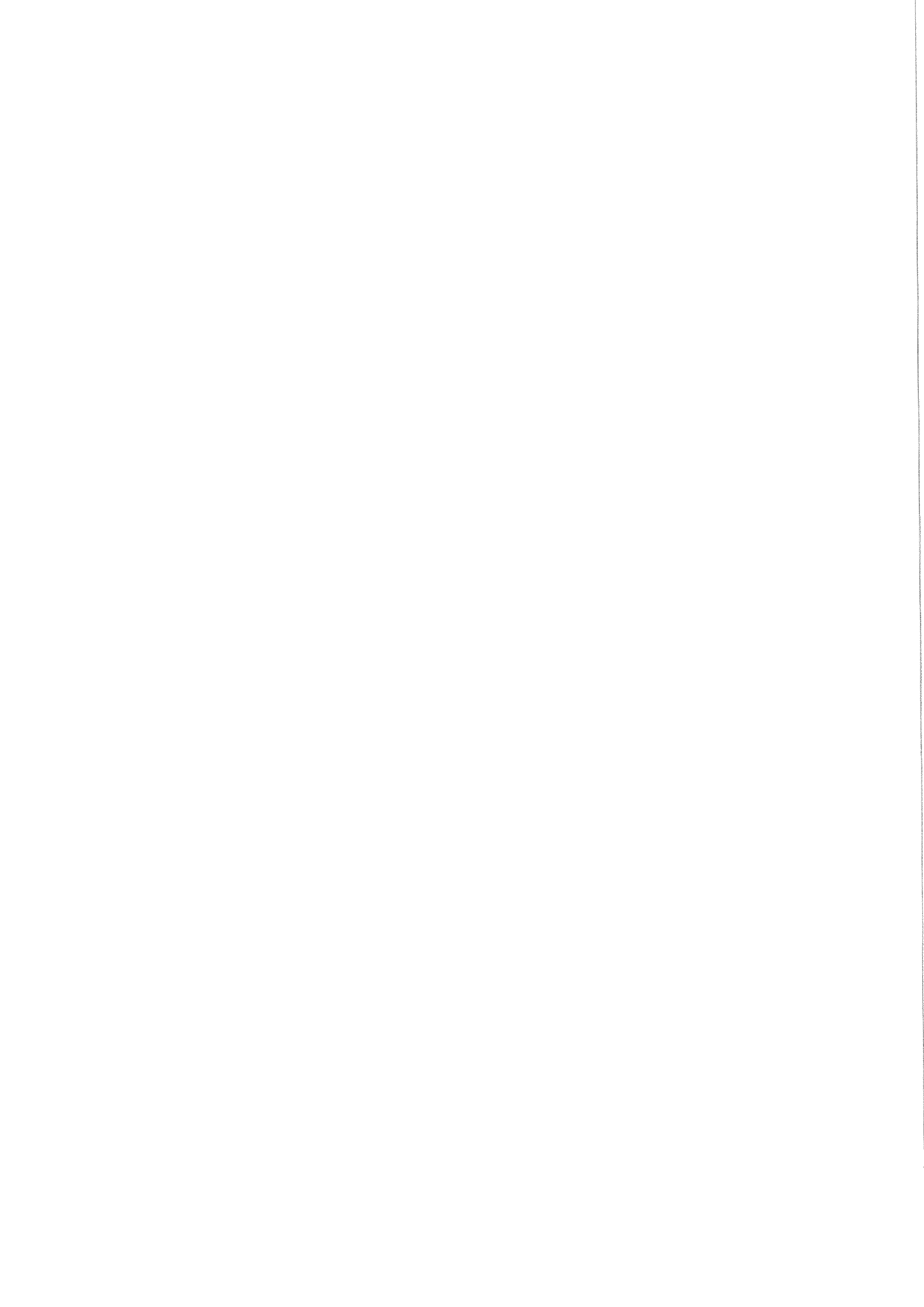
ALL WEB UNIPLUS SPARE PARTS**3.4b**

Machines from 2019

Axle Assembly

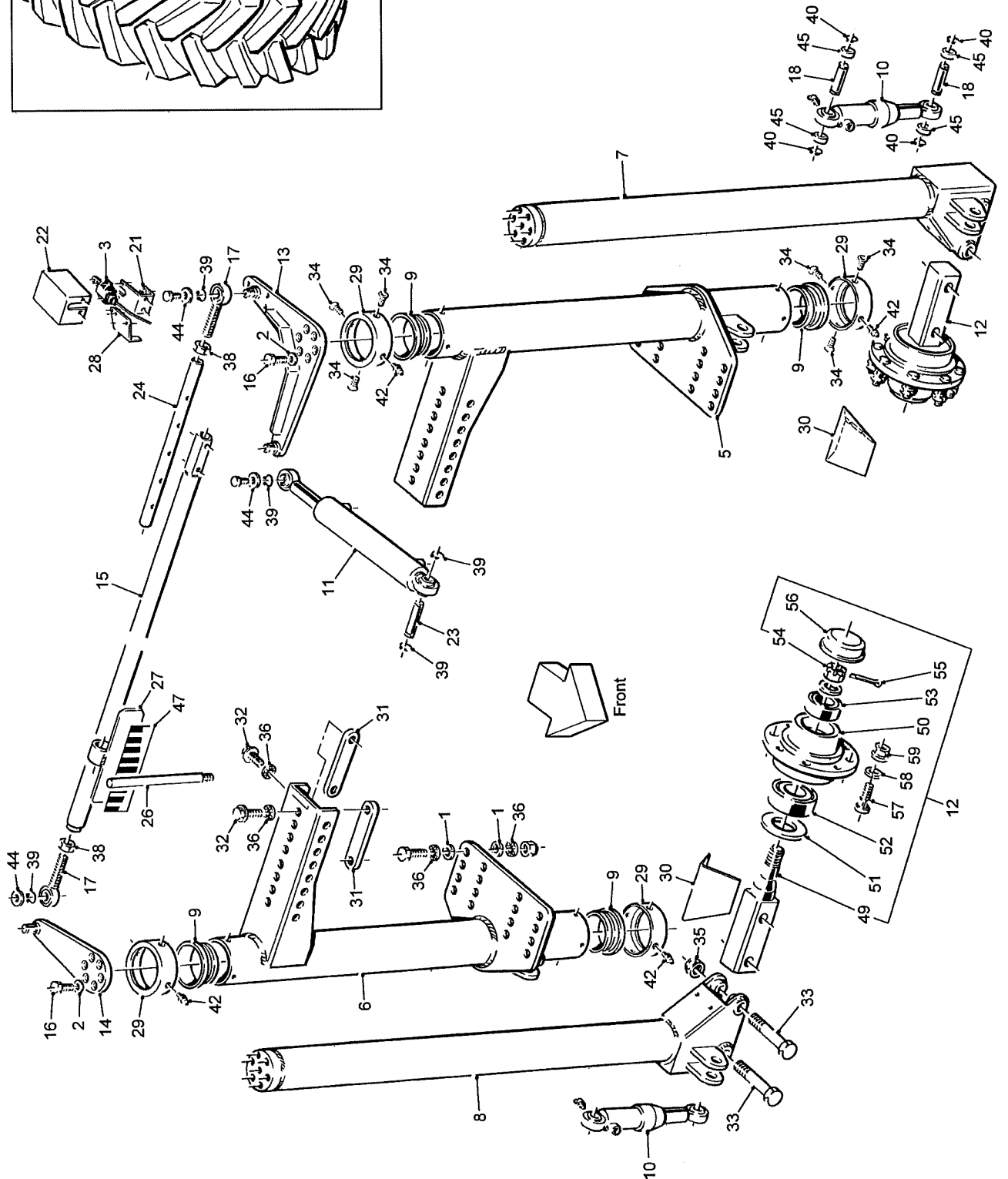
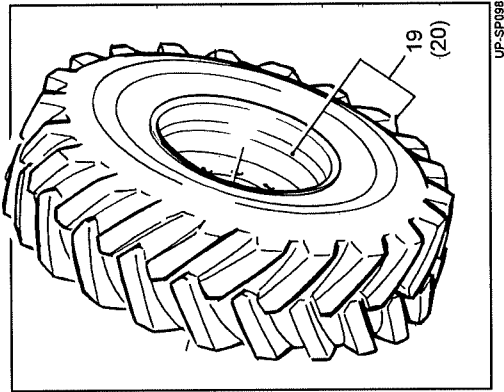
Assy No 57093A

Item	Part No.	Description	Qty.	Remarks
	57030	Stub Axle Complete Consists Of:		
49	-	Stub Axle	1	
50	52028/1X/1	Hub	1	
51	52028/1X/2	Retaining Ring	1	
52	52028/1X/3	Bearing (inner)	1	
53	52028/1X/4	Bearing (outer)	1	
54	52028/1X/5	Castellated Nut	1	
55	52028/1X/6	Split Pin	1	
56	52028/1X/7	End Cap	1	
57	42059A/7	Wheel Stud	8	
58	42059A/8	Spring Washer	8	
59	42059A/9	Wheel Nut	8	



Machines from 2020

Axle Assembly
Assy No 57093A



3.4a

ALL WEB UNIPLUS SPARE PARTS

Machines from 2020

Axle Assembly

Assy No 57093A

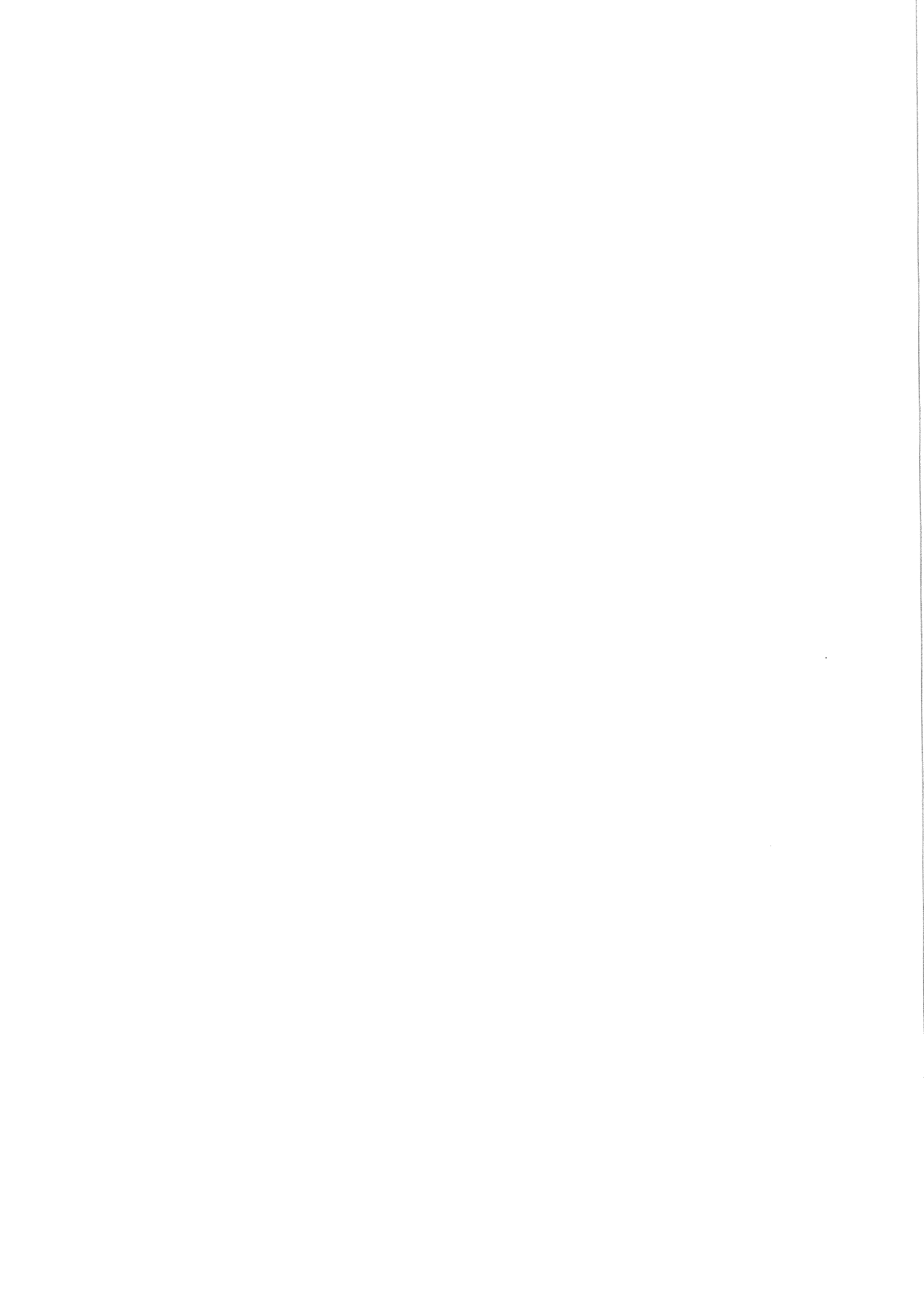
Item	Part No.	Description	Qty.	Remarks
1	42059A/8	M20 Spherical Spring Washer	16	
2	23255	M18 Spherical Spring Washer	12	
3	56320	Steering Sensor	1	
4				
5	61263	Outer Pillar (shown)	1	Front mounted levelling rams
	61262	Outer Pillar	1	Rear mounted levelling rams
6	61262	Outer Pillar (shown)	1	Front mounted levelling rams
	61263	Outer Pillar	1	Rear mounted levelling rams
7	61265	Inner Pillar (shown)	1	Front mounted levelling rams
	61264	Inner Pillar	1	Rear mounted levelling rams
8	61264	Inner Pillar (shown)	1	Front mounted levelling rams
	61265	Inner Pillar	1	Rear mounted levelling rams
9	57025	Axle Bush	4	
10	57028	Hydraulic Ram	2	
11	61285	Hydraulic Ram	1	
12	57030	Stub Axle Complete	2	(see list at end)
13	57031	LH Steering Arm	1	
14	57032	RH Steering Arm	1	
15	57694	Track Rod	1	
16	22123018/050	M18x50 Setscrew(grade 10.9)	12	
17	57035	Male Rod End	2	
18	57069	Ram Pin	4	
19	57450	LH 14.5x20 Trackgrip Tyre c/w Rim	1	
			1	
20	57451	RH 14.5x20 Trackgrip Tyre c/w Rim	1	
			1	
21	57152	Sensor Plate	1	
22	57154	Sensor Cover	1	
23	57161	Ram Pin	1	
24	57695	Track Rod End (1500mm & 1600mm)	1	
	57695A	Track Rod End (1700mm)	1	
25				
26	57267	Steering Indicator Pin	1	
27	57699	Steering Indicator Plate	1	
28	57763	Sensor Arm Lug	1	
29	61267	Bush Retainer	4	
30	68240	Stone Deflector	2	
31	68076	Clamp Plate	4	
32	22132020/040	M20x40 Flanged Head Set Screw	8	
33	22012030/200	M30x200 Bolt	4	
34	22016008/016	M8x16 CSK Socket Head Screw	12	
35	22041030	M30 Nyloc Nut	4	
36	22121020	M20 Nordlock Washer	24	
37				
38	RPF174.524000	M24 Half Nut	2	
39	RPF200.025200	Ø25 External Circlip	5	
40	RPF200.030200	Ø30 External Circlip	8	

ALL WEB UNIPLUS SPARE PARTS**3.4b**

Machines from 2020

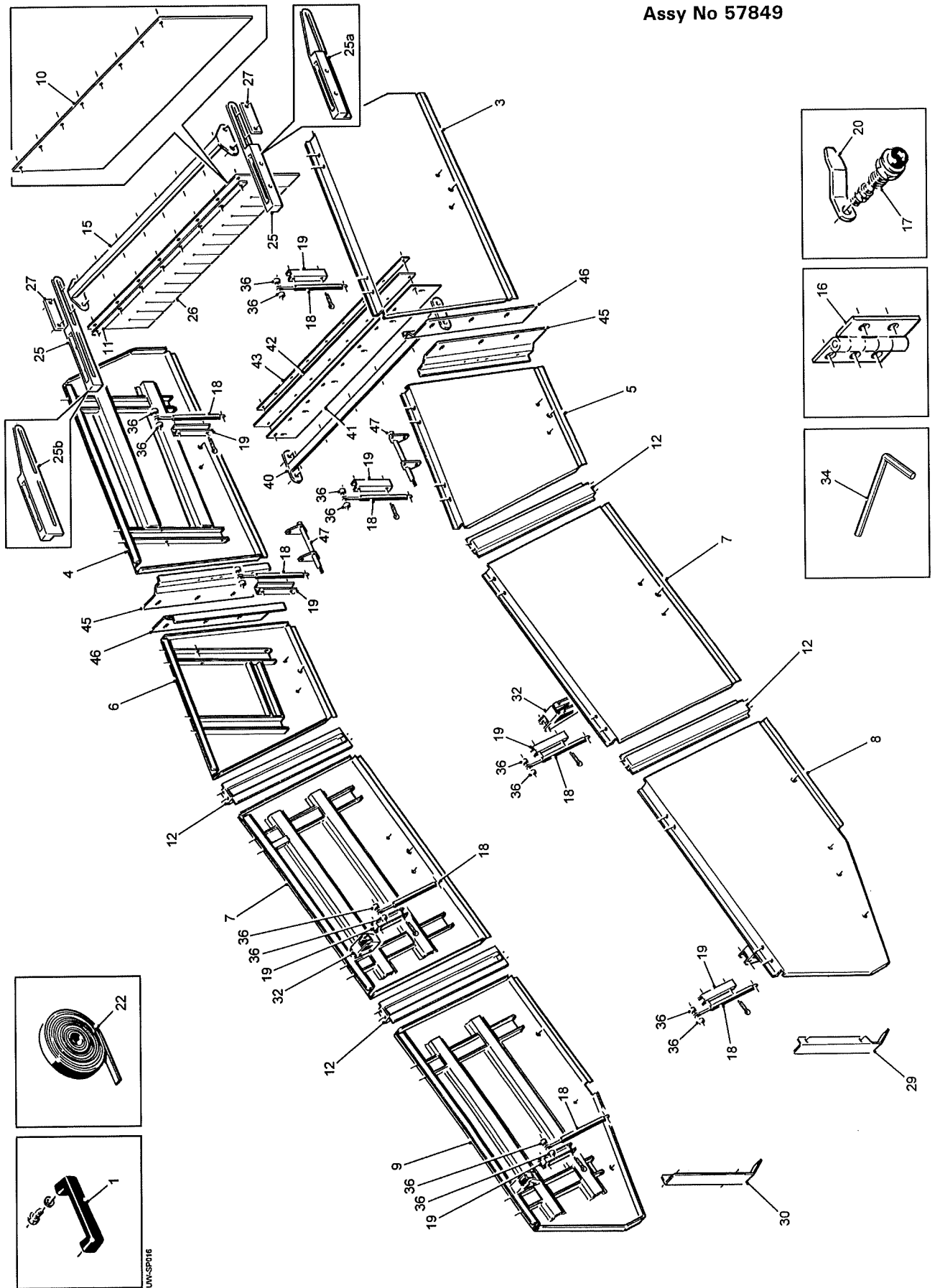
Axle Assembly**Assy No 57093A**

Item	Part No.	Description	Qty.	Remarks
41	RPC648.061002	M6 Grease Nipple 90°	2	
42	RPC648.081250	M8 Grease Nipple Straight	4	
43				
44	SS030011/005	Steel Spacer	3	
45	SS040031/008	Steel Spacer	8	
46				
47	TR468	Steering Indicator Decal	1	
48				
	57030	Stub Axle Complete Consists Of:		
49	-	Stub Axle	1	
50	52028/1X/1	Hub	1	
51	52028/1X/2	Retaining Ring	1	
52	52028/1X/3	Bearing (inner)	1	
53	52028/1X/4	Bearing (outer)	1	
54	52028/1X/5	Castellated Nut	1	
55	52028/1X/6	Split Pin	1	
56	52028/1X/7	End Cap	1	
57	42059A/7	Wheel Stud	8	
58	42059A/8	Spring Washer	8	
59	42059A/9	Wheel Nut	8	



Machines from 2019

Guards Assembly
Assy No 57849



3.5a**ALL WEB UNIPLUS SPARE PARTS**

Machines from 2019

Guards Assembly

Assy No 57849

Item	Part No.	Description	Qty.	Remarks
1	50047	Guard Handle	8	
2				
3	57811	Guard 4 LH	1	
4	57812	Guard 4 RH	1	
5	57073	Guard 3 LH	1	
6	57074	Guard 3 RH	1	
7	57075	Guard 2	2	
8	57077	Guard 1 LH	1	
9	57078	Guard 1 RH	1	
10	57079	Rubber Curtain (1500 & 1600mm)	2	Used without boulder box
	57079A	Rubber Curtain (1700mm)	2	Used without boulder box
11	57080	Clamp Strip (1500 & 1600mm)	2	Qty x1 with boulder box
	57080A	Clamp Strip (1700mm)	2	Qty x1 with boulder box
12	57106	Door Post	4	
13				
14				
15	57187	Curtain Mounting (1500 & 1600mm)	2	Qty x1 with boulder box
	57187A	Curtain Mounting (1700mm)	2	Qty x1 with boulder box
16	57195	Hinge	16	
17	57199	Guard Lock	10	
18	57200	Gas Strut	8	
19	57201	Strut Stay	8	
20	57219	Lock Arm	10	
21				
22	57221	Black Foam Tape	25m	
23				
24				
25	57288A	Boulder Box Curtain Mounting	2	Boulder box only
25a	68024	Boulder Box Curtain Mounting LH	1	Boulder box & stone elevator
25b	68025	Boulder Box Curtain Mounting RH	1	Boulder box & stone elevator
26	57299	Restrictor Curtain (1500 & 1600mm)	1	Used with boulder box
	-	Restrictor Curtain (1700mm)	1	Used with boulder box
27	61101	Retaining Plate	2	
28				
29	57554	Disc Infill LH	1	1500mm only
30	57555	Disc Infill RH	1	1500mm only
31				
32	57991	Gas Strut Bracket	2	
33				
34	-	8mm Allen Key	1	
35				
36	SS012010/010	Steel Spacer	16	
37				
38				
39				
40	57541	Deflector Panel Mounting	1	1500 & 1600mm
	57541A	Deflector Panel Mounting	1	1700mm
41	57938	Deflector Panel	1	1500 & 1600mm
	57938A	Deflector Panel	1	1700mm
42	57939	Rubber Deflector	1	1500 & 1600mm
	57939A	Rubber Deflector	1	1700mm

ALL WEB UNIPLUS SPARE PARTS

3.5b

Machines from 2019

Guards Assembly

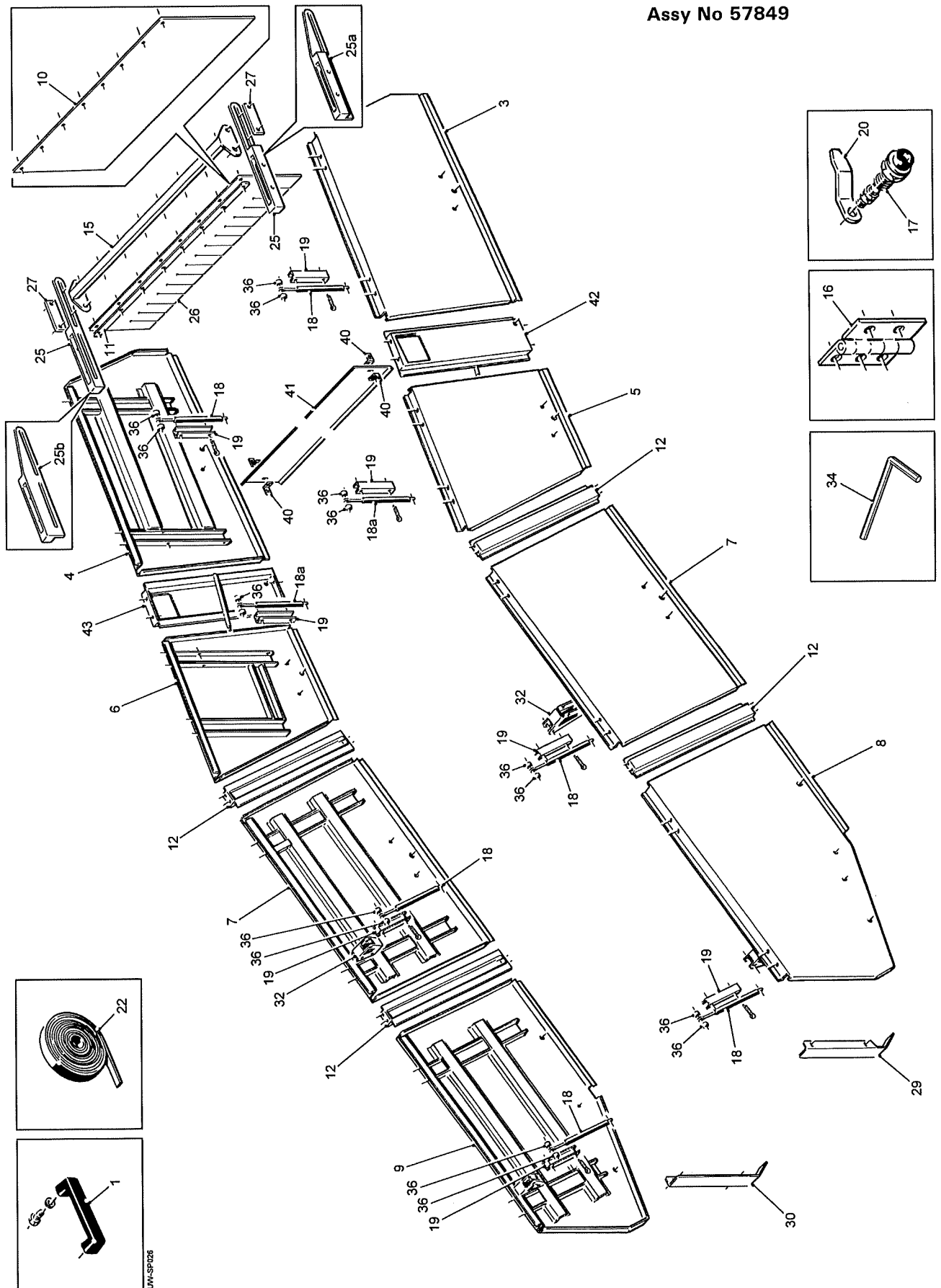
Assy No 57849

Item	Part No.	Description	Qty.	Remarks
43	57940	Clamp Strip	1	1500 & 1600mm
	57940A	Clamp Strip	1	1700mm
44				
45	61968A	Infill Panel (80" wheelings)	2	1500 & 1600mm
	61968B	Infill Panel (76" wheelings)	2	1700mm
	61968C	Infill Panel (72" wheelings)	2	1500 & 1600mm
	61968D	Infill Panel (68" wheelings)	2	1500 & 1600mm
	61968A	Infill Panel (84" wheelings)	2	1500 & 1600mm
	61968B	Infill Panel (80" wheelings)	2	1500 & 1600mm
	61968C	Infill Panel (76" wheelings)	2	1700mm
	61968D	Infill Panel (72" wheelings)	2	1700mm
46	61969A	Infill Panel (80" wheelings)	2	1700mm
	61969B	Infill Panel (76" wheelings)	2	
	61969C	Infill Panel (72" wheelings)	2	1500 & 1600mm
	61969D	Infill Panel (68" wheelings)	2	1500 & 1600mm
	61969A	Infill Panel (84" wheelings)	2	1500 & 1600mm
	61969B	Infill Panel (80" wheelings)	2	1500 & 1600mm
	61969C	Infill Panel (76" wheelings)	2	1700mm
	61969D	Infill Panel (72" wheelings)	2	1700mm
47	61970	Gas Strut Support	2	1700mm



Machines from 2020

Guards Assembly
Assy No 57849



3.5a**ALL WEB UNIPLUS SPARE PARTS**

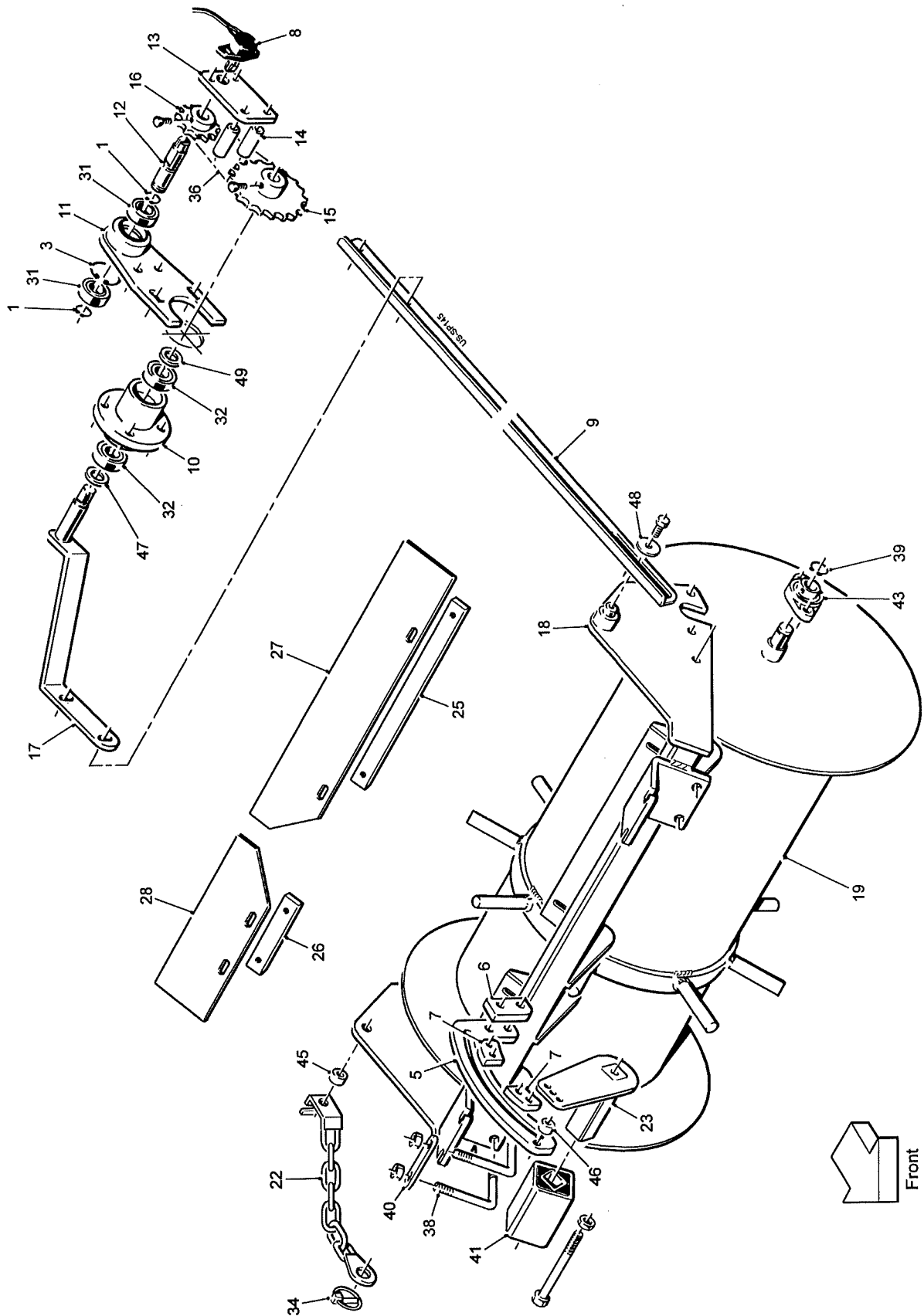
Machines from 2020

Guards Assembly**Assy No 57849**

Item	Part No.	Description	Qty.	Remarks
1	50047	Guard Handle	8	
2				
3	57811	Guard 4 LH	1	
4	57812	Guard 4 RH	1	
5	57073	Guard 3 LH	1	
6	57074	Guard 3 RH	1	
7	57075	Guard 2	2	
8	57077	Guard 1 LH	1	
9	57078	Guard 1 RH	1	
10	57079	Rubber Curtain (1500 & 1600mm)	2	Used without boulder box
	57079A	Rubber Curtain (1700mm)	2	Used without boulder box
11	57080	Clamp Strip (1500 & 1600mm)	2	Qty x1 with boulder box
	57080A	Clamp Strip (1700mm)	2	Qty x1 with boulder box
12	57106A	Door Post	4	
13				
14				
15	57187	Curtain Mounting (1500 & 1600mm)	2	Qty x1 with boulder box
	57187A	Curtain Mounting (1700mm)	2	Qty x1 with boulder box
16	57195	Hinge	16	
17	57199	Guard Lock	10	
18	57200	Gas Strut	6	Qty was x8
18a	58111	Gas Strut	2	
19	57201	Strut Stay	8	
20	57219	Lock Arm	10	
21				
22	57221	Black Foam Tape	25m	
23				
24				
25	57288A	Boulder Box Curtain Mounting	2	Boulder box only
25a	68024	Boulder Box Curtain Mounting LH	1	Boulder box & stone elevator
25b	68025	Boulder Box Curtain Mounting RH	1	Boulder box & stone elevator
26	57299	Restrictor Curtain (1500 & 1600mm)	1	Used with boulder box
	-	Restrictor Curtain (1700mm)	1	Used with boulder box
27	61101	Retaining Plate	2	
28				
29	57554	Disc Infill LH	1	1500mm only
30	57555	Disc Infill RH	1	1500mm only
31				
32	57991	Gas Strut Bracket	2	
33				
34	-	8mm Allen Key	1	
35				
36	SS012010/010	Steel Spacer	16	
37				
38				
39				
40	68062	Panel Bracket	4	
41	68071	Deflector Panel	1	1500 & 1600mm
	68071A	Deflector Panel	1	1700mm
42	57697	Infil Panel LH	1	
43	57698	Infil Panel RH	1	

Machines from 2019

Depth Roller Assembly



3.6a**ALL WEB UNIPLUS SPARE PARTS**

Machines from 2019

Depth Roller Assembly

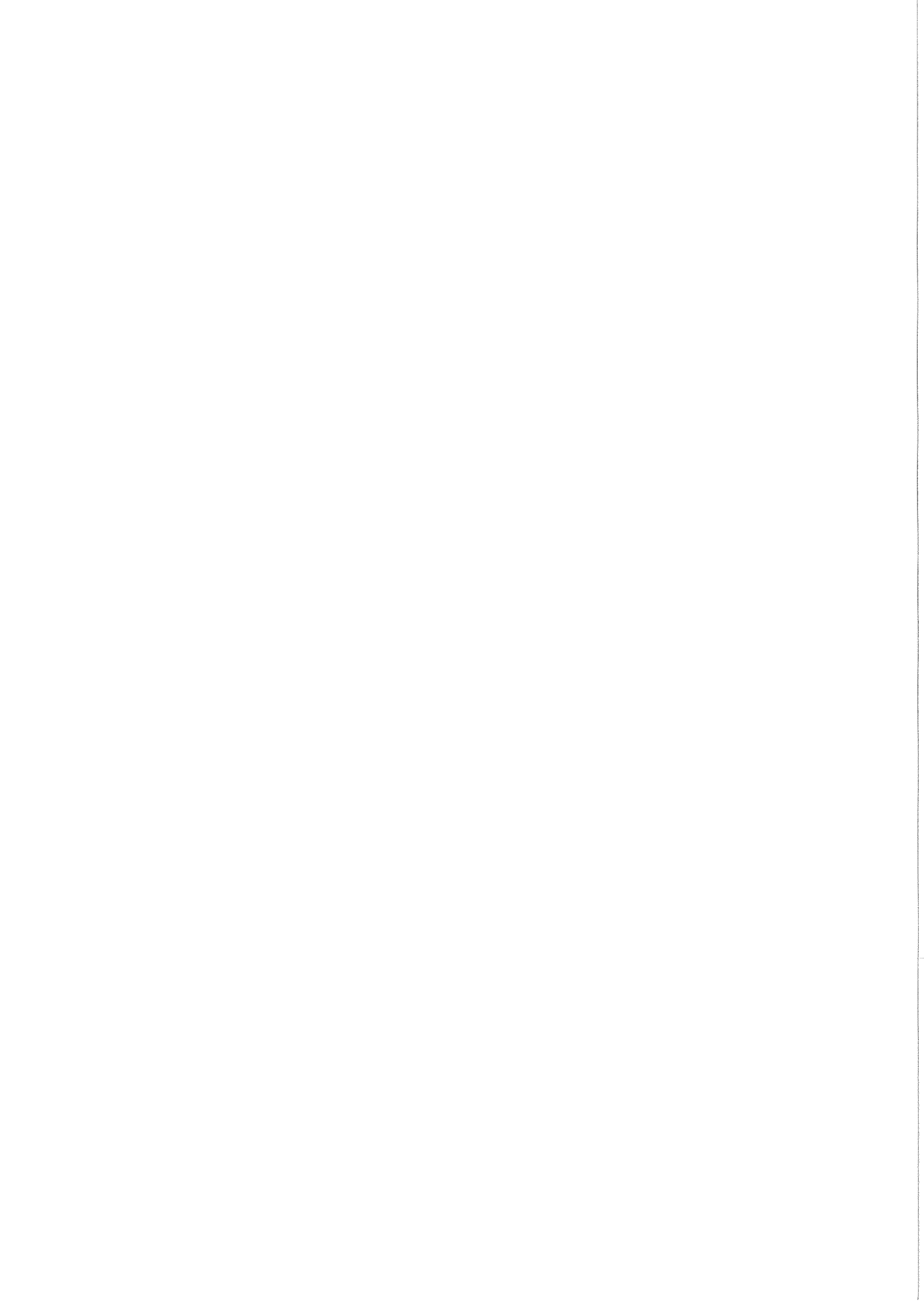
Item	Part No.	Description	Qty.	Remarks
1	12298	Ø20 External Circlip	2	
2				
3	32338	Ø42 Internal Circlip	1	
4				
5	57357	Adjuster Plate	2	
6	57358	Spacer Plate	2	
7	57359	Stop Block	4	
8	57403	Rotary Transducer	1	
9	57413	Radius Arm	1	
10	57415	Bearing Housing	1	
11	57416	Tension Plate	1	
12	57417	Sensor Spindle	1	
13	57418	Sensor Plate	1	
14	57419	Spacer	2	
15	57420	32T 1/2"Pitch Sprocket	1	
16	57421	16T 1/2"Pitch Sprocket	1	
17	57567	Depth Control Arm	1	1500mm & 1600mm
	57978	Depth Control Arm	1	1700mm
18	57564A	Depth Roller Frame	1	1020mm depth roller
	57532A	Depth Roller Frame	1	1200mm depth roller
19	57566	Depth Roller (1020mm wide)	1	1500mm & 1600mm
	57531	Depth Roller (1200mm wide)	1	1700mm
20				
21				
22	61185A	Transport Chain	1	
23	61225	Quadrant Arm	2	
24				
25	61745	Clamp Plate LH	1	1020mm depth roller
	61745A	Clamp Plate LH	1	1200mm depth roller
26	61746	Clamp Plate RH	1	1020mm depth roller
	61746A	Clamp Plate RH	1	1200mm depth roller
27	61766	Scraper LH	1	1020mm depth roller
	61766A	Scraper LH	1	1200mm depth roller
28	61767	Scraper RH	1	1020mm depth roller
	61767A	Scraper RH	1	1200mm depth roller
29				
30				
31	6004RS	Bearing	2	
32	6005RS	Bearing	2	
33				
34	DW50934	Clip Pin	1	
35				
36	PH526/50	1/2"Pitch Drive Chain	1	
37				
38	RPF122.116115	M16 'L' Bolt	4	
39	RPF200.025200	Ø25 External Circlip	2	
40	RPGMRP025.01058	Keep Plate	2	
41	RPGMRP084.00001	Rubber Torsion Unit	2	

ALL WEB UNIPLUS SPARE PARTS**3.6b**

Machines from 2019

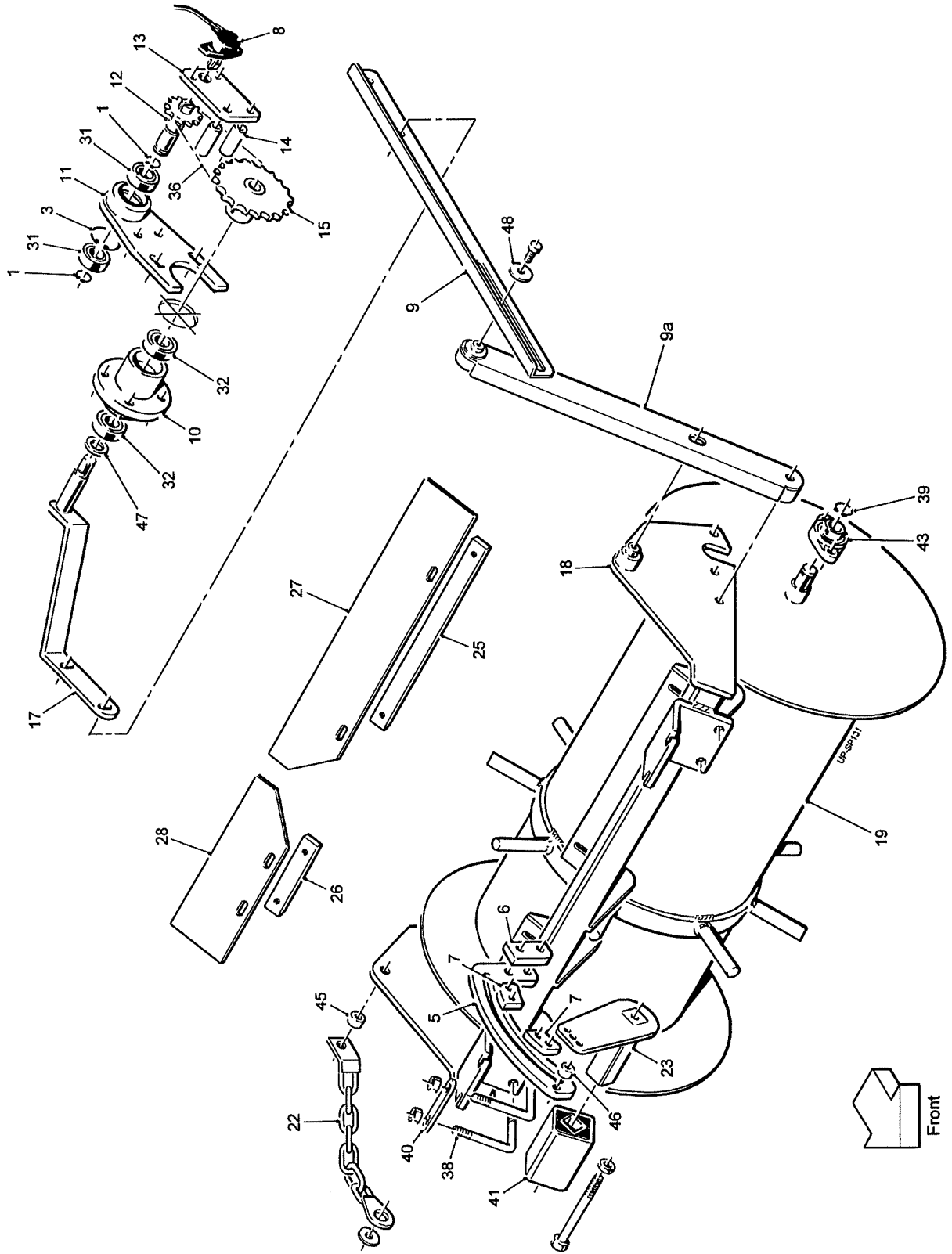
Depth Roller Assembly

Item	Part No.	Description	Qty.	Remarks
42				
43	SFT25	Bearing	2	
44				
45	SS020013/009	Steel Spacer	1	
46	SS025014/012	Steel Spacer	2	
47	SS038026/004	Steel Spacer	1	
48	SS040011/003	Steel Spacer	1	
49	SS040021/004	Steel Spacer	1	



Machines from 2024

Depth Roller Assembly



3.6a**ALL WEB UNIPLUS SPARE PARTS**

Machines from 2024

Depth Roller Assembly

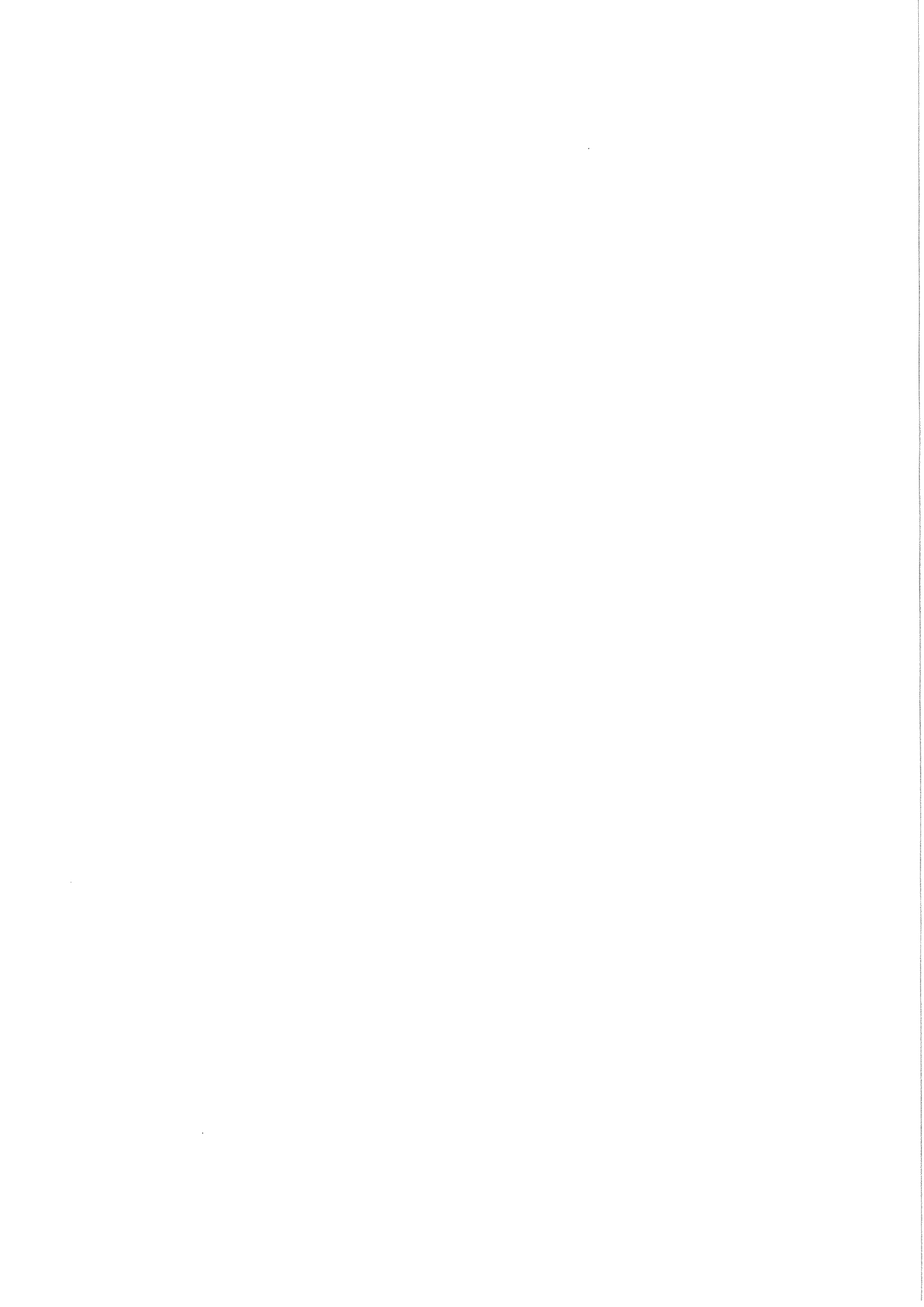
Item	Part No.	Description	Qty.	Remarks
1	12298	Ø20 External Circlip	2	
2				
3	32338	Ø42 Internal Circlip	1	
4				
5	57357	Adjuster Plate	2	
6	57358	Spacer Plate	2	
7	57359	Stop Block	4	
8	57403	Rotary Transducer	1	
9	57413B	Radius Arm	1	
9a	68235	Top Link Arm	1	
10	57415	Bearing Housing	1	
11	57416	Tension Plate	1	
12	68237	9T 1/2"Pitch Sprocket & Spindle	1	
13	57418	Sensor Plate	1	
14	57419	Spacer	2	
15	68236	36T 1/2"Pitch Sprocket	1	
16				
17	57567	Depth Control Arm	1	1500mm & 1600mm
	57978	Depth Control Arm	1	1700mm
18	57564A	Depth Roller Frame	1	1020mm depth roller
	57532A	Depth Roller Frame	1	1200mm depth roller
19	57566	Depth Roller (1020mm wide)	1	1500mm & 1600mm
	57531	Depth Roller (1200mm wide)	1	1700mm
20				
21				
22	61185A	Transport Chain	1	
23	61225	Quadrant Arm	2	
24				
25	61745	Clamp Plate LH	1	1020mm depth roller
	61745A	Clamp Plate LH	1	1200mm depth roller
26	61746	Clamp Plate RH	1	1020mm depth roller
	61746A	Clamp Plate RH	1	1200mm depth roller
27	61766	Scraper LH	1	1020mm depth roller
	61766A	Scraper LH	1	1200mm depth roller
28	61767	Scraper RH	1	1020mm depth roller
	61767A	Scraper RH	1	1200mm depth roller
29				
30				
31	6004RS	Bearing	2	
32	6005RS	Bearing	2	
33				
34				
35				
36	PH526/49	1/2"Pitch Drive Chain	1	
37				
38	RPF122.116115	M16 'L' Bolt	4	
39	RPF200.025200	Ø25 External Circlip	2	
40	RPGMRP025.01058	Keep Plate	2	
41	RPGMRP084.00001	Rubber Torsion Unit	2	

ALL WEB UNIPLUS SPARE PARTS**3.6b**

Machines from 2024

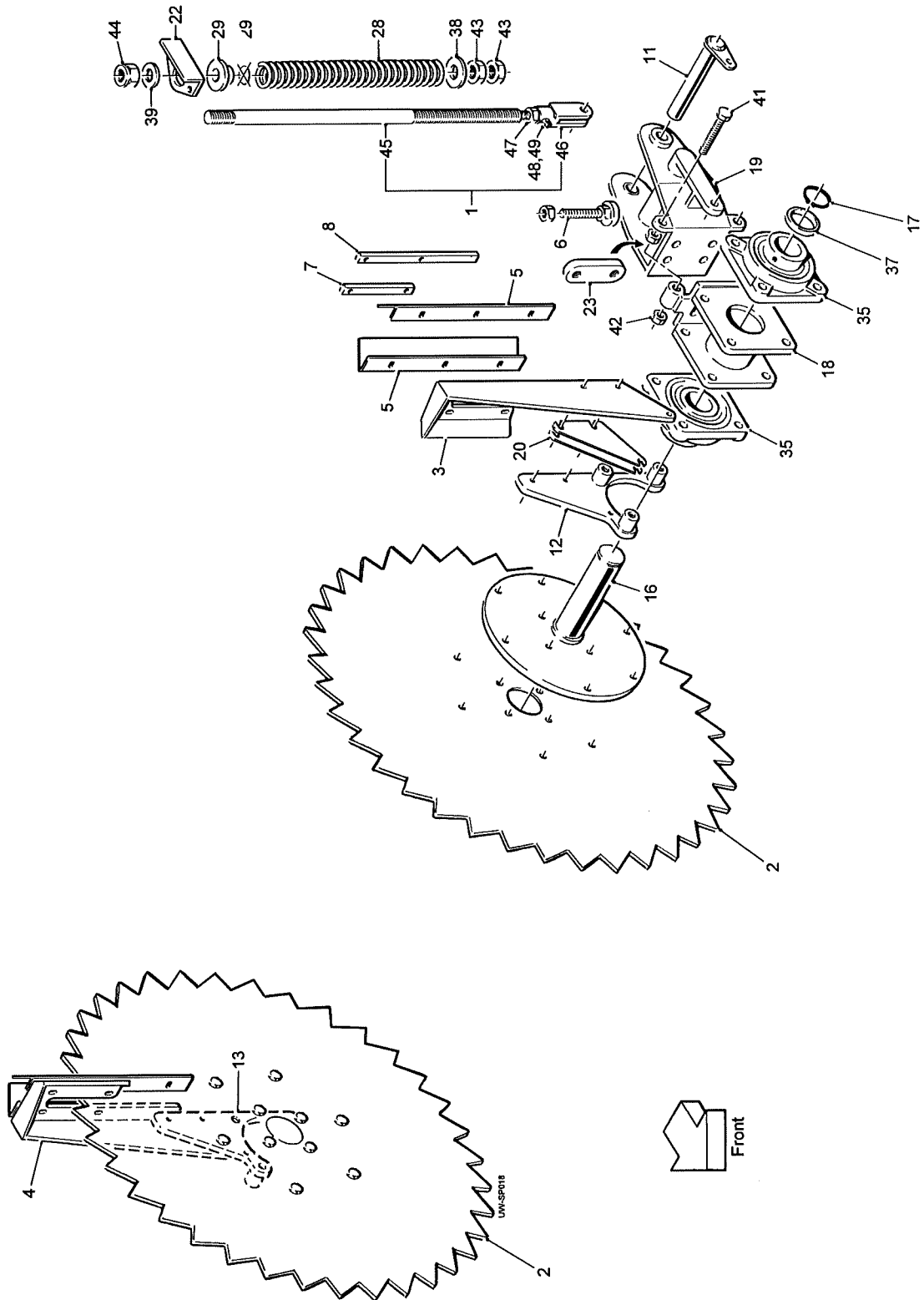
Depth Roller Assembly

Item	Part No.	Description	Qty.	Remarks
42				
43	SFT25	Bearing	2	
44				
45	SS020013/009	Steel Spacer	1	
46	SS025014/012	Steel Spacer	2	
47	SS038026/004	Steel Spacer	1	
48	SS040011/003	Steel Spacer	1	



Machines from 2019

Disc Assemblies



3.7a

ALL WEB UNIPLUS SPARE PARTS

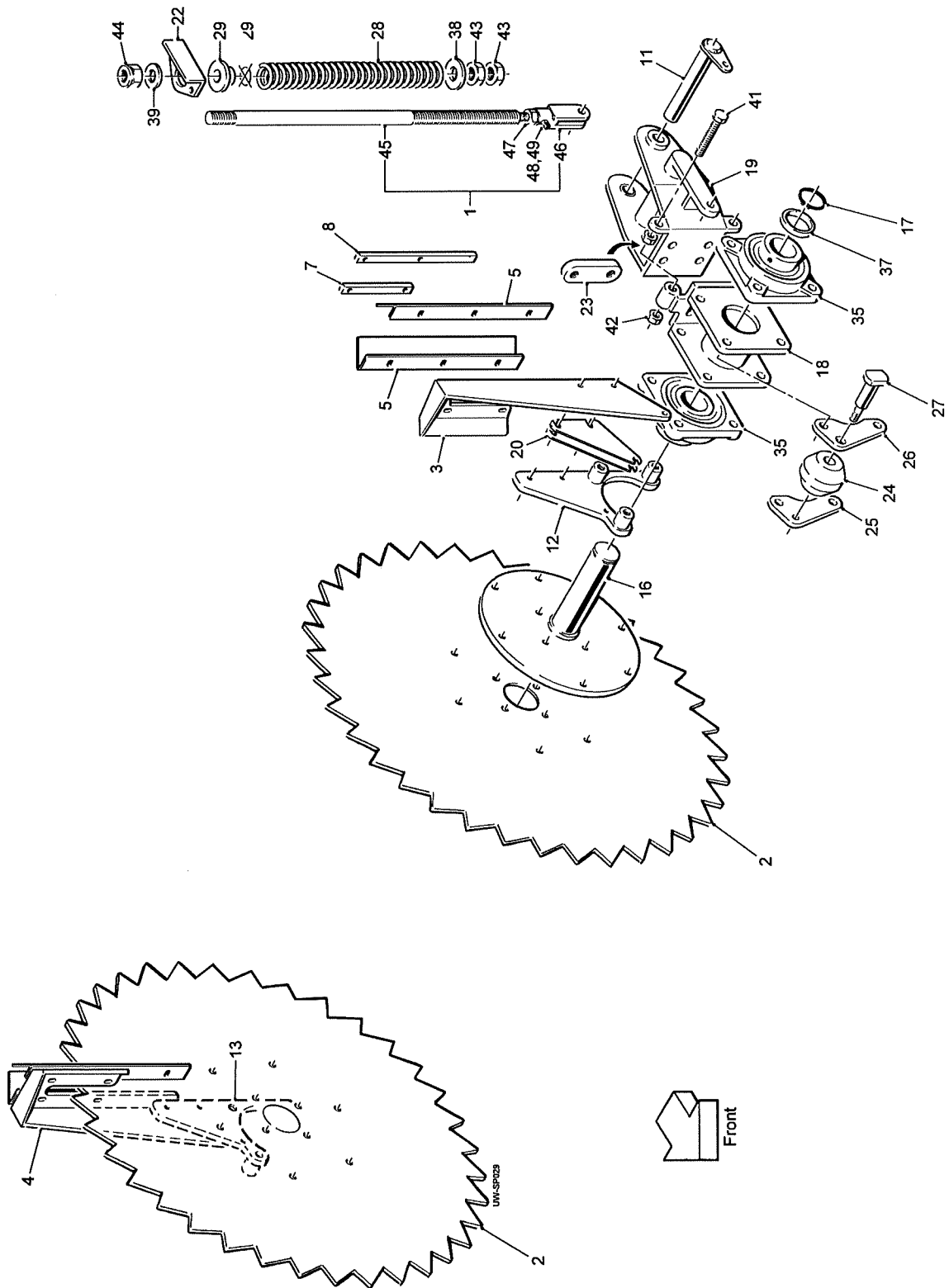
Machines from 2019

Disc Assemblies

Item	Part No.	Description	Qty.	Remarks
1	61999	Tension Rod Complete	2	(see list at end)
2	57539	SawTooth Disc (Ø1140mm)	2	
3	57573	Scraper Mount LH	1	
4	57574	Scraper Mount RH	1	
5	57575	Scraper	4	
6	57740	Adjuster	2	
7	57741	Scraper Clamp Strip (short)	2	
8	57742	Scraper Clamp Strip (long)	2	
9				
10				
11	61233	Pivot Pin	2	
12	61782	Scraper Mounting LH	1	
13	61783	Scraper Mounting RH	1	
14				
15				
16	61741	Disc Spindle	2	
17	61750	Ø75 External Circlip	2	
18	61780	Disc Bearing Mount	2	
19	61781	Disc Mounting	2	
20	61784	3mm Shim	4	
21				
22	68049	Spacer Retainer	2	
23	68090	Clamp Plate	2	
24				
25				
26				
27				
28	RPC675.309312	Spring	2	
29	RPC700.309314	Spacer	2	
30				
31				
32				
33				
34				
35	SF75	Bearing	4	
36				
37	SS082076/012	Steel Spacer	2	
38	SS060028/004	Steel Spacer	2	
39	SS050031/005	Steel Spacer	2	
40				
41	22011020/160	M20x160 Setscrew	4	
42	22029020	M20 Full Nut	4	
43	22034027	M27 Half Nut	4	
44	22041027	M27 Nyloc Nut	2	
	61999	Tension Rod Complete Consists Of:		
45	61998	Spring Rod	1	
46	57279A	Rod End	1	
47	22034027	M27 Half Nut	1	
48	22018010/025	M10x25 Grubscrew	1	
49	22029010	M10 Plain Nut	1	

Machines from 2020

Disc Assemblies



3.7a

ALL WEB UNIPLUS SPARE PARTS

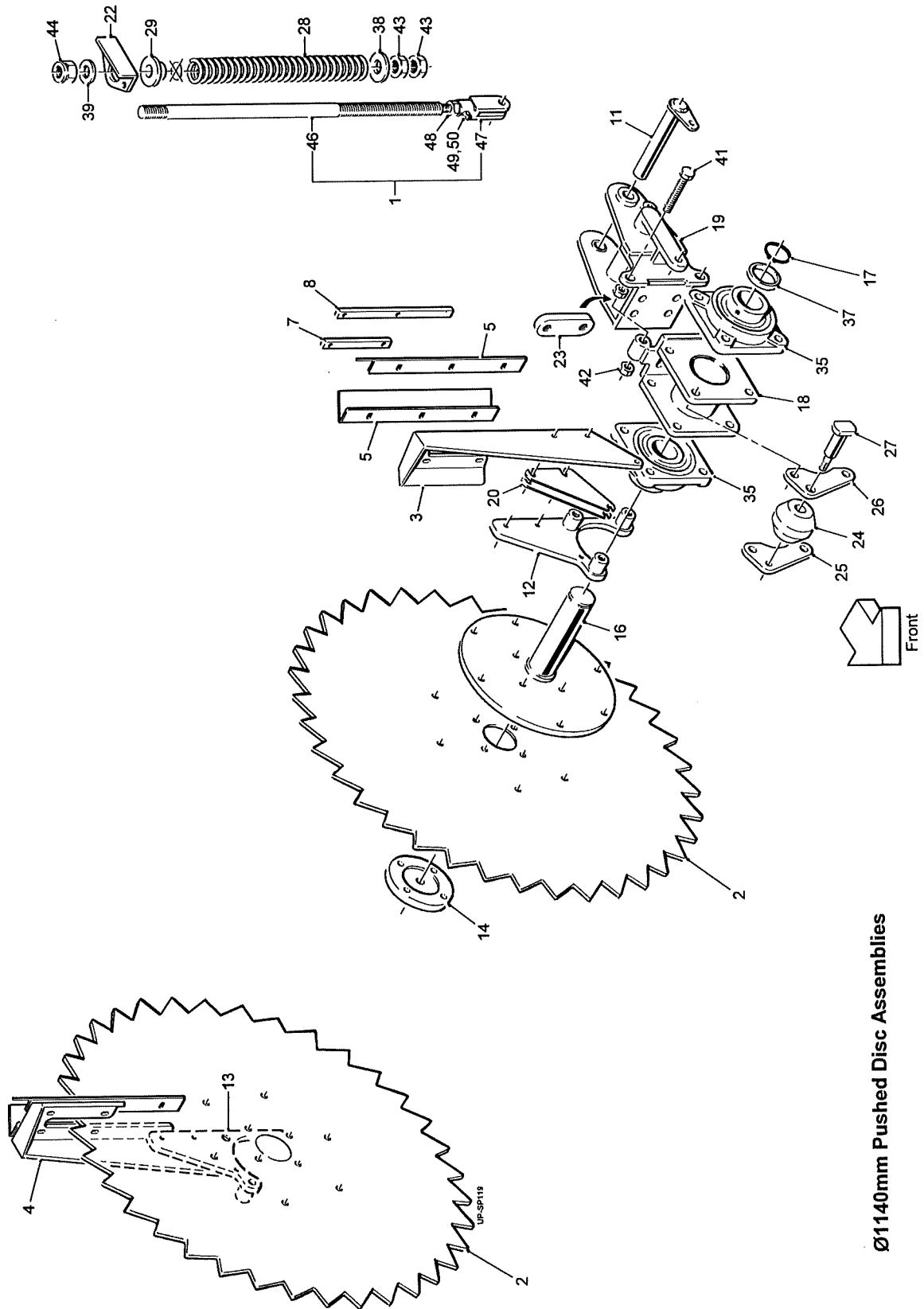
Machines from 2020

Disc Assemblies

Item	Part No.	Description	Qty.	Remarks
1	61999	Tension Rod Complete	2	(see list at end)
2	57539	SawTooth Disc (Ø1140mm)	2	
3	57573	Scraper Mount LH	1	
4	57574	Scraper Mount RH	1	
5	57575	Scraper	4	
6				
7	57741	Scraper Clamp Strip (short)	2	
8	57742	Scraper Clamp Strip (long)	2	
9				
10				
11	61233	Pivot Pin	2	
12	61782	Scraper Mounting LH	1	
13	61783	Scraper Mounting RH	1	
14	68119	Retainer	2	
15				
16	61741	Disc Spindle	2	
17	61750	Ø75 External Circlip	2	
18	61780	Disc Bearing Mount	2	
19	61781	Disc Mounting	2	
20	61784	3mm Shim	4	
21				
22	68049	Spacer Retainer	2	
23	68090	Clamp Plate	2	
24	68126	Rubber Spring	2	
25	68127	Inner Plate	2	
26	68128	Outer Plate	2	
27	68132	Shoulder Bolt	2	
28	RPC675.309312	Spring	2	
29	RPC700.309314	Spacer	2	
30				
31				
32				
33				
34				
35	SF75	Bearing	4	
36				
37	SS082076/012	Steel Spacer	2	
38	SS060028/004	Steel Spacer	2	
39	SS050031/005	Steel Spacer	2	
40				
41	22011020/160	M20x160 Setscrew	4	
42	22029020	M20 Full Nut	4	
43	22034027	M27 Half Nut	4	
44	22041027	M27 Nyloc Nut	2	
	61999	Tension Rod Complete Consists Of:		
45	61998	Spring Rod	1	
46	57279A	Rod End	1	
47	22034027	M27 Half Nut	1	
48	22018010/025	M10x25 Grubscrew	1	
49	22029010	M10 Plain Nut	1	

Machines from Serial No. UNPW 301

Disc Assemblies



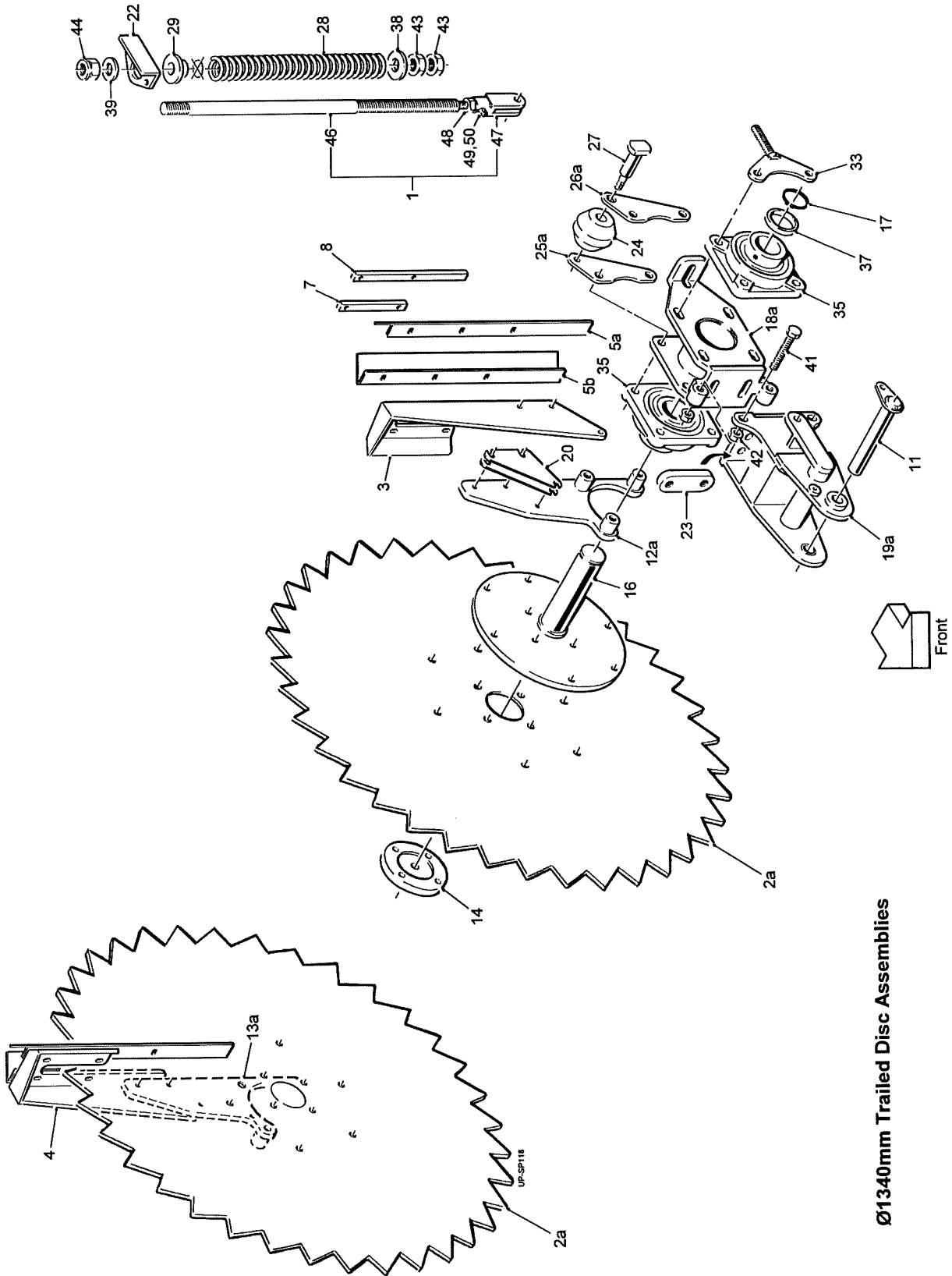
Ø11140mm Pushed Disc Assemblies

3.7a

ALL WEB UNIPLUS SPARE PARTS

Machines from Serial No. UNPW 301

Disc Assemblies



Ø1340mm Trailed Disc Assemblies

Machines from Serial No. UNPW 301

Disc Assemblies

Item	Part No.	Description	Qty.	Remarks
1	61999	Tension Rod Complete	2	(see list at end)
2	57539	SawTooth Disc (Ø1140mm)	2	
2a	61669	SawTooth Disc (Ø1340mm)	2	
3	57573	Scraper Mount LH	1	
4	57574	Scraper Mount RH	1	
5	57575	Scraper	4	Ø1140mm Disc
5a	61738	Scraper	2	Ø1340mm Disc
5b	61739	Scraper	2	Ø1340mm Disc
6	57740	Adjuster	2	
7	57741	Scraper Clamp Strip (short)	2	
8	57742	Scraper Clamp Strip (long)	2	
9				
10				
11	61233	Pivot Pin	2	
12	61782	Scraper Mounting LH	1	Ø1140mm Disc
12a	61736	Scraper Mounting LH	1	Ø1340mm Disc
13	61783	Scraper Mounting RH	1	Ø1140mm Disc
13a	61737	Scraper Mounting RH	1	Ø1340mm Disc
14	68119	Retainer	2	
15				
16	61741	Disc Spindle	2	
17	61750	Ø75 External Circlip	2	
18	61780	Disc Bearing Mount	2	Ø1140mm Disc
18a	61780A	Disc Bearing Mount	2	Ø1340mm Disc
19	61781	Disc Mounting	2	Ø1140mm Disc
19a	61781A	Disc Mounting	2	Ø1340mm Disc
20	61784	3mm Shim	4	
21				
22	68049	Spacer Retainer	2	
23	68090	Clamp Plate	2	
24	68126	Rubber Spring	2	
25	68127	Inner Plate	2	Ø1140mm Disc
25a	68127A	Inner Plate	2	Ø1340mm Disc
26	68128	Outer Plate	2	Ø1140mm Disc
26a	68128A	Outer Plate	2	Ø1340mm Disc
27	68132	Shoulder Bolt	2	
28	RPC675.309312	Spring	2	
29	RPC700.309314	Spacer	2	
30				
31				
32				
33	70035	Adjuster Bracket	2	Ø1340mm Disc only
34				
35	SF75	Bearing	4	
36				
37	SS082076/012	Steel Spacer	2	
38	SS060028/004	Steel Spacer	2	

3.7c**ALL WEB UNIPLUS SPARE PARTS**

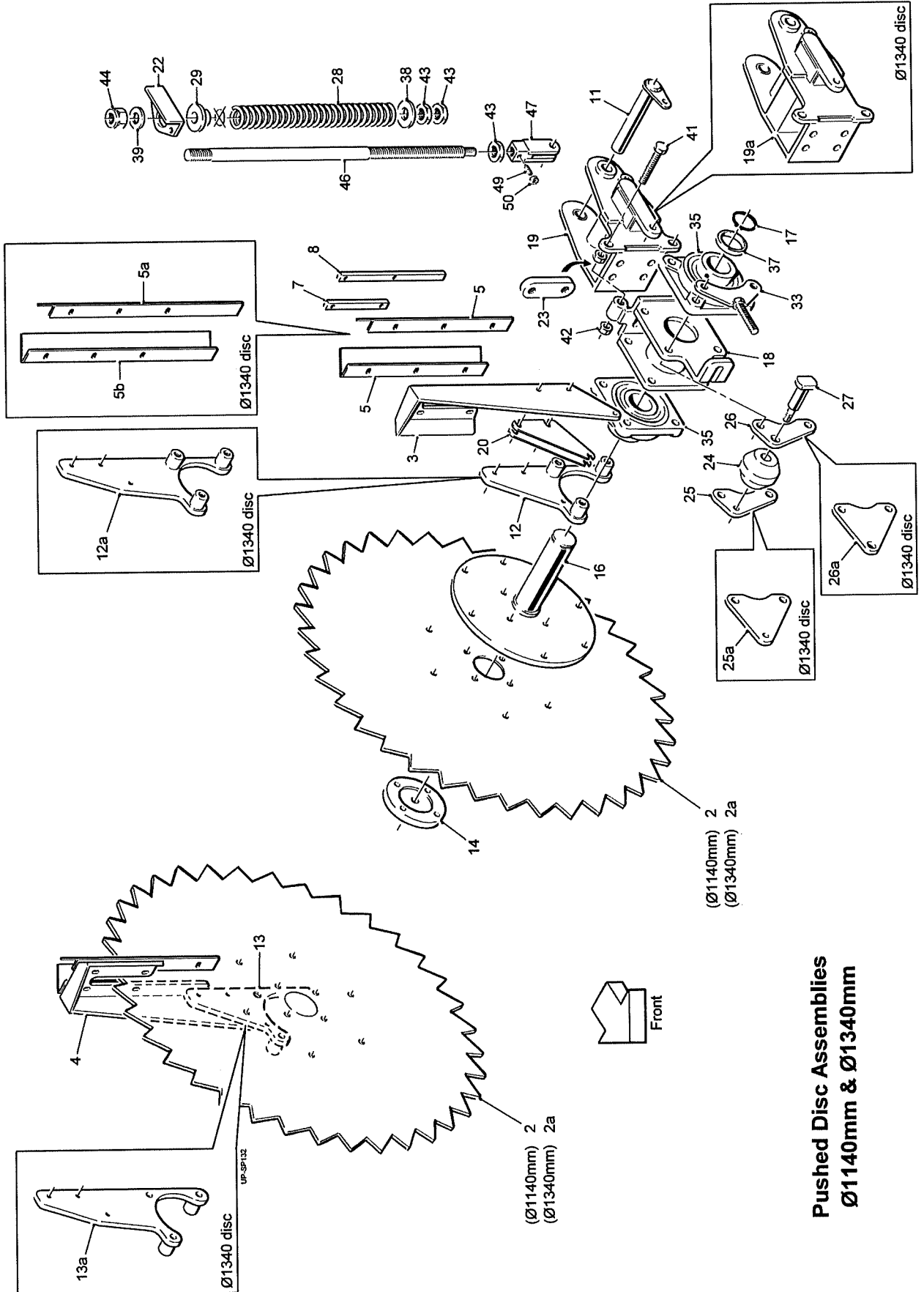
Machines from Serial No. UNPW 301

Disc Assemblies

Item	Part No.	Description	Qty.	Remarks
39	SS050031/005	Steel Spacer	2	
40				
41	22011020/160	M20x160 Setscrew	4	
42	22029020	M20 Full Nut	4	
43	22034027	M27 Half Nut	4	
44	22041027	M27 Nyloc Nut	2	
45				
	61999	Tension Rod Complete Consists Of:		
46	61998	Spring Rod	1	
47	57279A	Rod End	1	
48	22034027	M27Half Nut	1	
49	22018010/025	M10x25 Grubscrew	1	
50	22029010	M10 Plain Nut	1	

Machines from 2024

Disc Assemblies



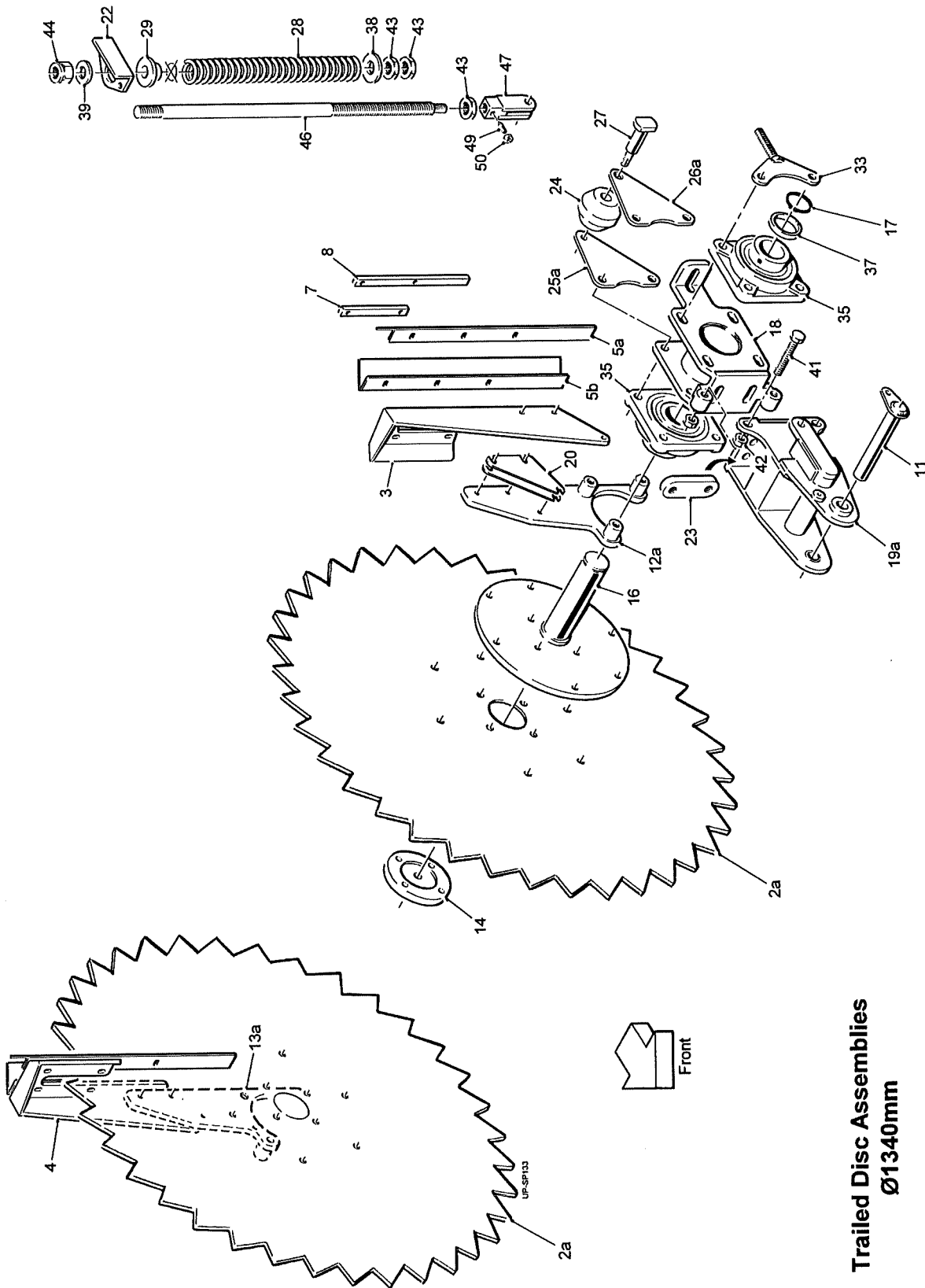
Pushed Disc Assemblies
Ø1140mm & Ø1340mm

3.7a

ALL WEB UNIPLUS SPARE PARTS

Machines from 2024

Disc Assemblies



**Trailled Disc Assemblies
Ø1340mm**

Machines from 2024

Disc Assemblies

Item	Part No.	Description	Qty.	Remarks
1				
2	57539	SawTooth Disc (Ø1140mm)	2	
2a	61669	SawTooth Disc (Ø1340mm)	2	
3	57573	Scraper Mount LH	1	
4	57574	Scraper Mount RH	1	
5	57575	Scraper	4	Ø1140mm Disc
5a	61738	Scraper	2	Ø1340mm Disc
5b	61739	Scraper	2	Ø1340mm Disc
6	57740	Adjuster	2	
7	57741	Scraper Clamp Strip (short)	2	
8	57742	Scraper Clamp Strip (long)	2	
9				
10				
11	61233	Pivot Pin	2	
12	61782	Scraper Mounting LH	1	Ø1140mm Disc
12a	61736	Scraper Mounting LH	1	Ø1340mm Disc
13	61783	Scraper Mounting RH	1	Ø1140mm Disc
13a	61737	Scraper Mounting RH	1	Ø1340mm Disc
14	68119	Retainer	2	
15				
16	61741	Disc Spindle	2	
17	61750	Ø75 External Circlip	2	
18	61780	Disc Bearing Mount	2	
19	61781	Disc Mounting	2	Ø1140mm Disc
19a	61781A	Disc Mounting	2	Ø1340mm Disc
20	61784	3mm Shim	4	
21				
22	68049	Spacer Retainer	2	
23	68090	Clamp Plate	2	
24	68126	Rubber Spring	2	
25	68127	Inner Plate	2	Ø1140mm Disc
25a	68127B	Inner Plate	2	Ø1340mm Disc
26	68128	Outer Plate	2	Ø1140mm Disc
26a	68128B	Outer Plate	2	Ø1340mm Disc
27	68132	Shoulder Bolt	2	
28	RPC675.309312	Spring	2	
29	RPC700.309314	Spacer	2	
30				
31				
32				
33	70035	Adjuster Bracket	2	
34				
35	SF75	Bearing	4	
36				
37	SS082076/012	Steel Spacer	2	
38	SS060028/004	Steel Spacer	2	

3.7c**ALL WEB UNIPLUS SPARE PARTS**

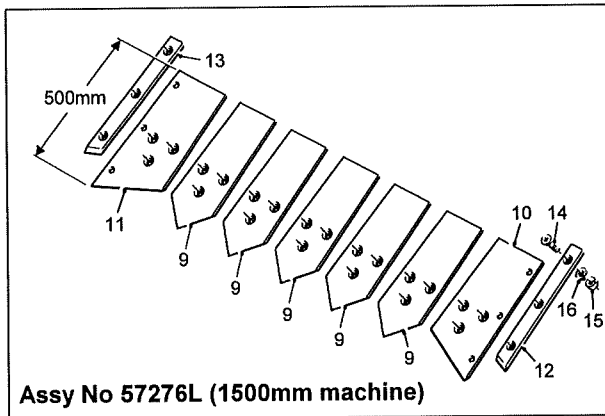
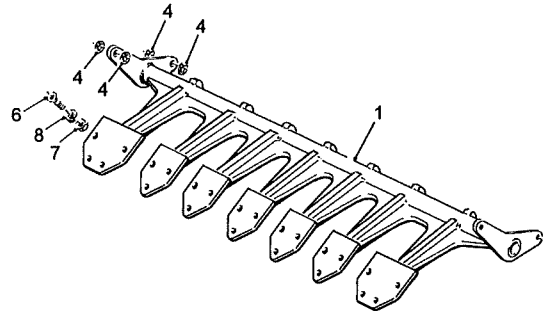
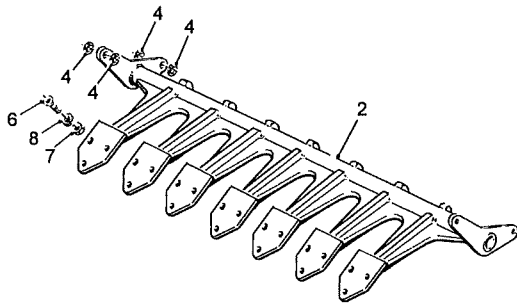
Machines from 2024

Disc Assemblies

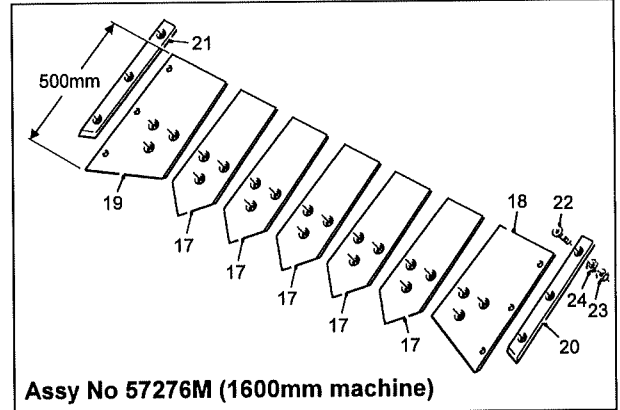
Item	Part No.	Description	Qty.	Remarks
39	SS050031/005	Steel Spacer	2	
40				
41	22011020/160	M20x160 Setscrew	4	
42	22029020	M20 Full Nut	4	
43	22034027	M27 Half Nut	6	
44	22041027	M27 Nyloc Nut	2	
45				
46	61998	Spring Rod	2	
47	57279A	Rod End	2	
48				
49	22018010/025	M10x25 Grubscrew	2	
50	22029010	M10 Plain Nut	2	

Machines from 2019

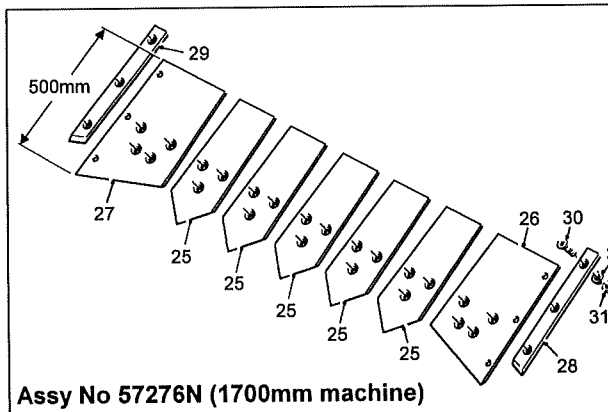
Share Assemblies



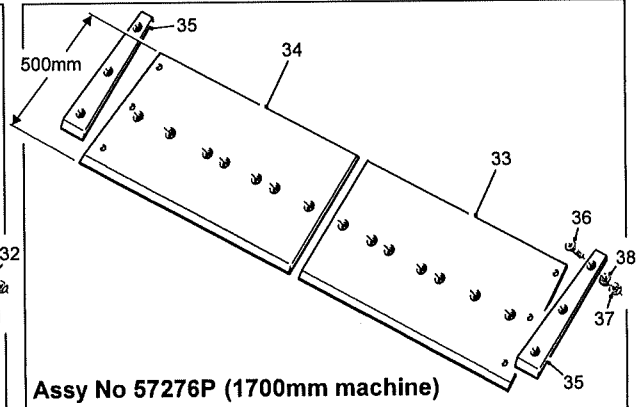
Assy No 57276L (1500mm machine)



Assy No 57276M (1600mm machine)



Assy No 57276N (1700mm machine)



Assy No 57276P (1700mm machine)

3.8a

ALL WEB UNIPLUS SPARE PARTS

Machines from 2019

Share Assemblies

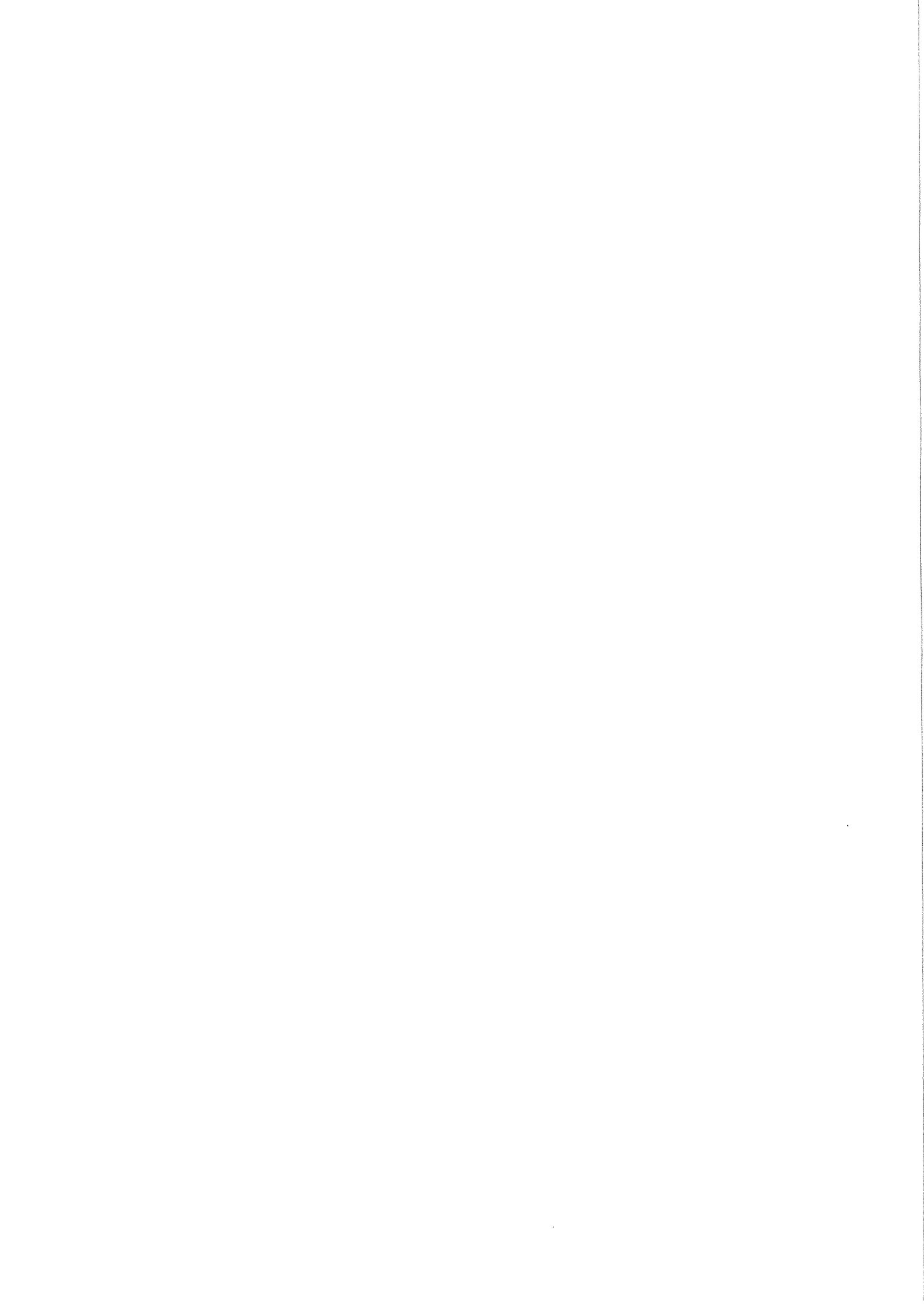
Item	Part No.	Description	Qty.	Remarks
1	57430WA	Heavy Duty Share Frame	1	1700mm
2	57430W	Heavy Duty Share Frame	1	1500mm & 1600mm
3				
4	42059A/8	Spring Washer	8	
5				
6	RPF134.112030	M12x30 CSK Socket Setscrew	21	1500mm & 1600mm
	RPF134.112030	M12x30 CSK Socket Setscrew	23	1700mm
7	22029012	M12 Full Nut	21	1500mm & 1600mm
	22029012	M12 Full Nut	23	1700mm
8	22052012	M12 Spring Washer	21	1500mm & 1600mm
	22052012	M12 Spring Washer	23	1700mm
	57276L	Flat Share Assembly with Wear Strips		1500mm machine
9	57437	Centre Share Blade (3 hole)	5	
10	61281	LH Share Blade (6 hole)	1	
11	61282	RH Share Blade (6 hole)	1	
12	61283	LH Wear Strip	1	
13	61284	RH Wear Strip	1	
14	RPF134.112030	M12x30 CSK Socket Setscrew	6	
15	22029012	M12 Full Nut	6	
16	22052012	M12 spring Washer	6	
	57276M	Flat Share Assembly with Wear Strips		1600mm machine
17	57437	Centre Share Blade (3 hole)	5	
18	61281A	LH Share Blade (6 hole)	1	
19	61282A	RH Share Blade (6 hole)	1	
20	61283	LH Wear Strip	1	
21	61284	RH Wear Strip	1	
22	RPF134.112030	M12x30 CSK Socket Setscrew	6	
23	22029012	M12 Full Nut	6	
24	22052012	M12 Spring Washers	6	
	57276N	Flat Share Assembly with Wear Strips		1700mm machine
25	57437	Centre Share Blade (3 hole)	5	
26	61281B	LH Share Blade (7 hole)	1	
27	61282B	RH Share Blade (7 hole)	1	
28	61283	LH Wear Strip	1	
29	61284	RH Wear Strip	1	
30	RPF134.112030	M12x30 CSK Socket Setscrew	6	
31	22029012	M12 Full Nut	6	
32	22052012	M12 spring Washer	6	
	57276P	One-Piece Share Assembly		1700mm machine
33	68164LH	LH Share Blade	1	
34	68164RH	RH Share Blade	1	
35	68238	Wear Strip	2	

ALL WEB UNIPLUS SPARE PARTS**3.8b**

Machines from 2019

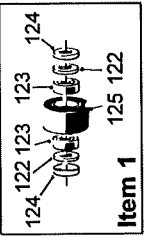
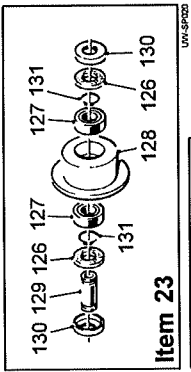
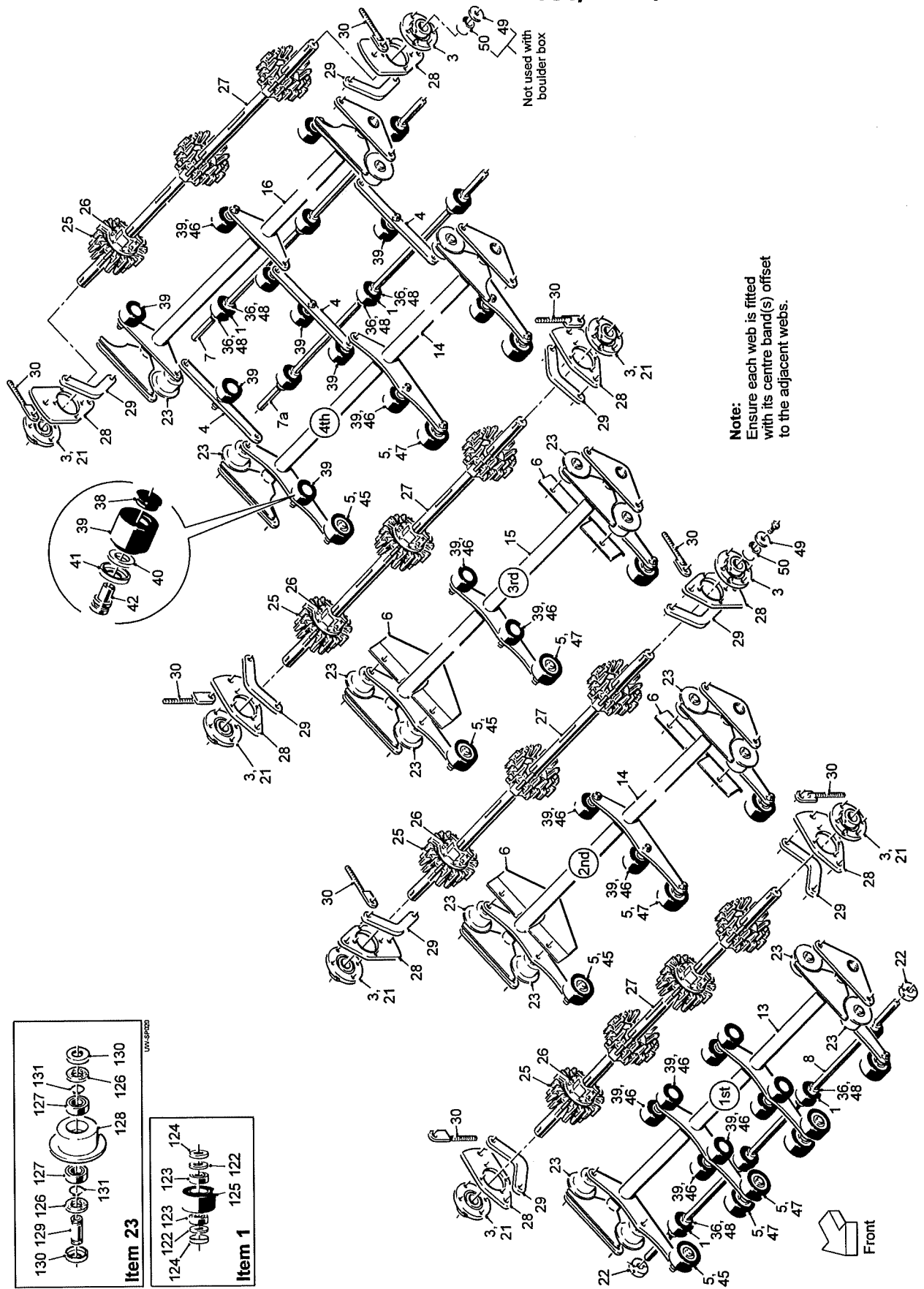
Share Assemblies

Item	Part No.	Description	Qty.	Remarks
36	RPF134.112030	M12x30 CSK Socket Setscrew	6	
37	22029012	M12 Full Nut	6	
38	22052012	M12 spring Washer	6	



Machines from 2019

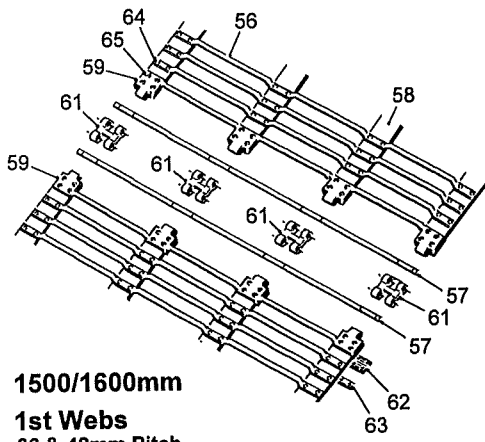
1st, 2nd, 3rd & 4th Webs



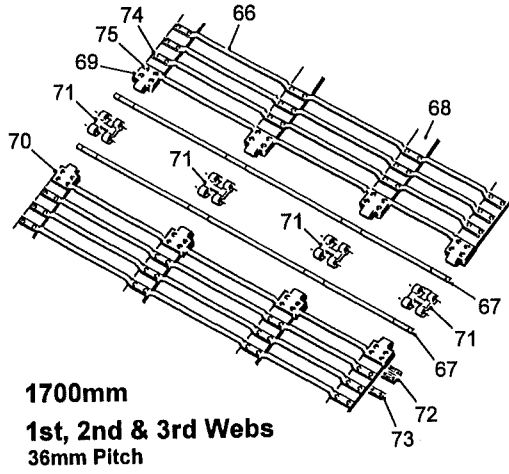
3.10a ALL WEB UNIPLUS SPARE PARTS

Machines from 2019

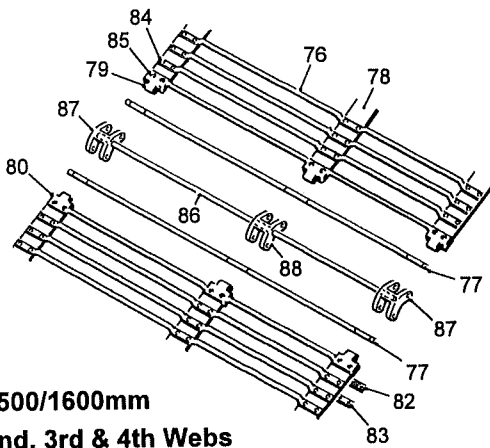
1st, 2nd, 3rd & 4th Webs



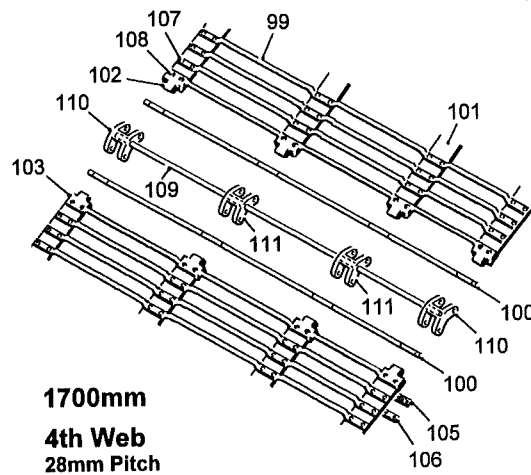
1500/1600mm
1st Webs
36 & 42mm Pitch



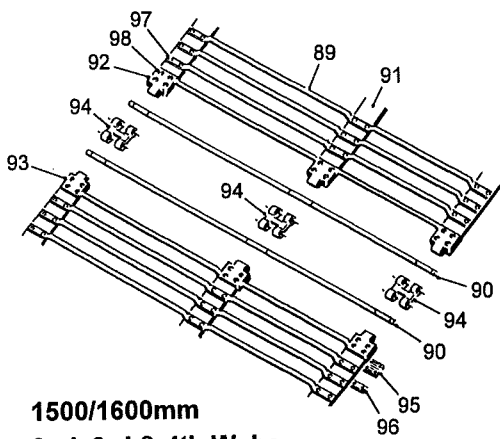
1700mm
1st, 2nd & 3rd Webs
36mm Pitch



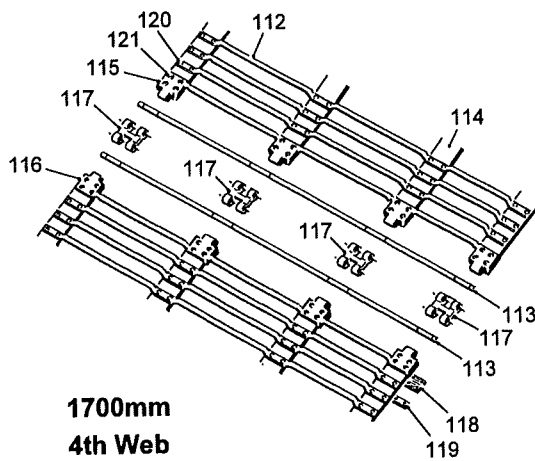
1500/1600mm
2nd, 3rd & 4th Webs
28 & 32mm Pitch



1700mm
4th Web
28mm Pitch



1500/1600mm
2nd, 3rd & 4th Webs
36, 42, 45 & 50mm Pitch



1700mm
4th Web
36mm Pitch

UP-SP200

ALL WEB UNIPLUS SPARE PARTS

3.10b

Machines from 2019

1st, 2nd, 3rd & 4th Webs

Item	Part No.	Description	Qty.	Remarks
1	32719	Roller Assembly (see list at end)	10	Qty x12 on 1700mm
2				
3	57007	Bearing	8	
4	57786	Roller Plate	3	Qty x4 on 1700mm
5	57806	Ø110 Roller Complete	15	Qty x18 on 1700mm
6	57832	Lower Soil Deflector	4	
7	57833	Tie Bar (long)	1	1500mm & 1600mm
	57833A	Tie Bar (long)	1	1700mm
7a	57833	Tie Bar (length 1758mm)	1	1500mm & 1600mm
	68198	Tie Bar (length 1588mm)	1	
	57833A	Tie Bar (long)	1	1700mm
8	57910	Tie Bar (short)	1	1500mm & 1600mm
	57910A	Tie Bar (short)	1	1700mm
9				
10				
11				
12				
13	57975/1500	1st Web Frame (4-band)	1	1500mm
	57975/1600	1st Web Frame (4-band)	1	1600mm
	57975/1725	1st Web Frame (4-band)	1	1700mm
14	57784/1500	2nd & 4th Web Frame (3-band)	2	1500mm
	57784/1600	2nd & 4th Web Frame (3-band)	2	1600mm
	57976/1725	2nd & 4th Web Frame (4-band)	2	1700mm
15	57783/1500	3rd Web Frame (3-band)	1	1500mm
	57783/1600	3rd Web Frame (3-band)	1	1600mm
	57975/1725	3rd Web Frame (4-band)	1	1700mm
16	57785/1500	4th Web Rear Frame (3-band)	1	1500mm
	57785/1600	4th Web Rear Frame (3-band)	1	1600mm
	57977/1725	4th Web Rear Frame (4-band)	1	1700mm
17				
18				
19				
20				
21	61009	45°Grease Nipple	6	
22	61075	Locking Collar	2	
23	61084	Roller Assembly	16	(see list at end)
24				
25	61076/28/22	28mm Pitch Split Sprocket	a/r	
	61076/32/18	32mm Pitch Split Sprocket	a/r	
	61076/36/16	28mm Pitch Split Sprocket	a/r	
	61076/42/14	28mm Pitch Split Sprocket	a/r	

3.10c

ALL WEB UNIPLUS SPARE PARTS

Machines from 2019

1st, 2nd, 3rd & 4th Webs

Item	Part No.	Description	Qty.	Remarks
26	61077	Split Hub	13	Qty x16 on 1700mm
27	57782	Web Drive Shaft	4	1500 & 1600mm
	57782A	Web Drive Shaft	4	1700mm
28	57779	Bearing Plate	8	
29	57780	Bearing Plate Retainer	8	
30	57875	Belt Adjuster	8	
31				
32				
33				
34				
35				
36	PS488M	Locking Collar	20	Qty x24 on 1700mm
37				
38	RPC620.303070	Cap	23	Qty x32 on 1700mm
39	RPC700.300147	Ø95 Plain Roller c/w Bearings	23	Qty x32 on 1700mm
40	RPGM070.00446	Felt Seal	23	Qty x32 on 1700mm
41	RPGM089.00565	Roller Shield	23	Qty x32 on 1700mm
42	RPM180.303071	Pivot Bush	23	Qty x32 on 1700mm
43				
44				
45	SS025017/005	Steel Spacer	8	
46	SS025017/020	Steel Spacer	14	Qty x20 on 1700mm
47	SS025017/025	Steel Spacer	7	Qty x10 on 1700mm
48	SS050026/002	Steel Spacer	20	Qty x24 on 1700mm
49	SS060013/005	Steel Spacer	2	Qty x1 with boulder box
50	SS060054/056	Steel Spacer	2	Qty x1 with boulder box
51				
52	61565/36	36mm 1st Web Assy (4 band)	1	1500mm
	61565/42	42mm 1st Web Assy (4 band)	1	1500mm
	61183/36	36mm 1st Web Assy (4 band)	1	1600mm
	61183/42	42mm 1st Web Assy (4 band)	1	1600mm
	57973/36	36mm 1st Web Assy (4 band)	1	1700mm
53	57807/28	28mm 2nd Web Assy (3 band)	1	1500mm
	57807/32	32mm 2nd Web Assy (3 band)	1	1500mm
	57807/36	36mm 2nd Web Assy (3 band)	1	1500mm
	57807/42	42mm 2nd Web Assy (3 band)	1	1500mm
	57807/45	45mm 2nd Web Assy (3 band)	1	1500mm
	57807/50	50mm 2nd Web Assy (3 band)	1	1500mm
	57988/28	28mm 2nd Web Assy (3 band)	1	1600mm
	57988/32	32mm 2nd Web Assy (3 band)	1	1600mm
	57988/36	36mm 2nd Web Assy (3 band)	1	1600mm
	57988/42	42mm 2nd Web Assy (3 band)	1	1600mm
	57973/36	36mm 2nd Web Assy (4 band)	1	1700mm

ALL WEB UNIPLUS SPARE PARTS

3.10d

Machines from 2019

1st, 2nd, 3rd & 4th Webs

Item	Part No.	Description	Qty.	Remarks	
54	57807/28	28mm 3rd Web Assy (3 band)	1	1500mm	
	57807/32	32mm 3rd Web Assy (3 band)	1	1500mm	
	57807/36	36mm 3rd Web Assy (3 band)	1	1500mm	
	57807/42	42mm 3rd Web Assy (3 band)	1	1500mm	
	57807/45	45mm 3rd Web Assy (3 band)	1	1500mm	
	57807/50	50mm 3rd Web Assy (3 band)	1	1500mm	
	57988/28	28mm 3rd Web Assy (3 band)	1	1600mm	
	57988/32	32mm 3rd Web Assy (3 band)	1	1600mm	
	57988/36	36mm 3rd Web Assy (3 band)	1	1600mm	
	57988/42	42mm 3rd Web Assy (3 band)	1	1600mm	
	57973/36	36mm 3rd Web Assy (4 band)	1	1700mm	
55	57808/28	28mm 4th Web Assy (3 band)	1	1500mm	
	57808/32	32mm 4th Web Assy (3 band)	1	1500mm	
	57808/36	36mm 4th Web Assy (3 band)	1	1500mm	
	57808/42	42mm 4th Web Assy (3 band)	1	1500mm	
	57808/50	50mm 4th Web Assy (3 band)	1	1500mm	
	57989/28	28mm 4th Web Assy (3 band)	1	1600mm	
	57989/32	32mm 4th Web Assy (3 band)	1	1600mm	
	57989/36	36mm 4th Web Assy (3 band)	1	1600mm	
	57989/42	42mm 4th Web Assy (3 band)	1	1600mm	
	57974/28	28mm 4th Web Assy (4 band)	1	1700mm	
	57974/36	36mm 4th Web Assy (4 band)	1	1700mm	
		61565/36	36mm 1st Web Assy (4 band)		1500mm machine
			Consists Of:		
56	61565/1	Web Rod	61		
57	61565/2	Joining Rod	2		
58	57973/36/1	Web Belt	4		
59	61183/36/3	Male Joiner c/wRod	2		
60					
61	57456/36/2	'H' Piece	4		
62	57456/36/3	Clamp Plate	8		
63	56155/5	Clamp Plate	244		
64	RPF240.160250	Ø6x25 Rivet	488		
65	22016006/025	M6x25 Setscrew	32		
	61565/42	42mm 1st Web Assy (4 band)		1500mm machine	
		Consists Of:			
56	61565/1	Web Rod	52		
57	61565/2	Joining Rod	2		
58	57973/42/1	Web Belt	4		
59	61183/42/3	Male Joiner c/wRod	2		
60					
61	57456/42/2	'H' Piece	4		
62	57456/42/3	Clamp Plate	8		
63	56155/5	Clamp Plate	208		
64	RPF240.160250	Ø6x25 Rivet	416		
65	22016006/025	M6x25 Setscrew	32		

3.10e

ALL WEB UNIPLUS SPARE PARTS

Machines from 2019

1st, 2nd, 3rd & 4th Webs

Item	Part No.	Description	Qty.	Remarks
	61183/36	36mm 1st Web Assy (4 band)		1600mm machine
		Consists Of:		
56	61183/1	Web Rod	61	
57	61183/2	Joining Rod	2	
58	57973/36/1	Web Belt	4	
59	61183/36/3	Male Joiner c/wRod	2	
60				
61	57456/36/2	'H' Piece	4	
62	57456/36/3	Clamp Plate	8	
63	56155/5	Clamp Plate	244	
64	RPF240.160250	Ø6x25 Rivet	488	
65	22016006/025	M6x25 Setscrew	32	
	61183/42	42mm 1st Web Assy (4 band)		1600mm machine
		Consists Of:		
56	61183/1	Web Rod	52	
57	61183/2	Joining Rod	2	
58	57973/42/1	Web Belt	4	
59	61183/42/3	Male Joiner c/wRod	2	
60				
61	57456/42/2	'H' Piece	4	
62	57456/42/3	Clamp Plate	8	
63	56155/5	Clamp Plate	208	
64	RPF240.160250	Ø6x25 Rivet	416	
65	22016006/025	M6x25 Setscrew	32	
	57973/36	36mm 1st Web Assy (4 band)		1700mm machine
		Consists Of:		
66	57973/1	Web Rod	61	
67	57973/2	Joining Rod	2	
68	57973/36/1	Web Belt	4	
69	57973/36/2	Male Joiner c/wRod (LH offset)	1	
70	57973/36/3	Male Joiner c/wRod (RH offset)	1	
71	57456/36/2	'H' Piece	4	
72	57456/36/3	Clamp Plate	8	
73	12238/6	Clamp Plate	244	
74	57058/3	Ø5.5x21 Rivet	488	
75	22016006/025	M6x25 Setscrew	32	
	57807/28	28mm 2nd & 3rd Web Assy (3 band)		1500mm machine
		Consists Of:		
76	57807/1	Web Rod	78	
77	57807/2	Joining Rod	2	
78	57807/28/1	Web Belt	3	
79	57807/28/2	Male Joiner c/w Rod (LH offset)	1	
80	57807/28/3	Male Joiner c/w Rod (RH offset)	1	
81				
82	57456/28/3	Clamp Plate	6	
83	12238/6	Clamp Plate	237	
84	57058/3	Ø5.5x21 Rivet	474	
85	22016006/025	M6x25 Setscrew	24	
86	57807/2A	Centre Joining Rod	1	
87	57807/28/5	Outer Locking Plate	2	
88	57807/28/6	Inner Locking Plate	1	

Machines from 2019

1st, 2nd, 3rd & 4th Webs

Item	Part No.	Description	Qty.	Remarks
	57807/32	32mm 2nd & 3rd Web Assy (3 band)		1500mm machine
		Consists Of:		
76	57807/1	Web Rod	67	
77	57807/2	Joining Rod	2	
78	57807/32/1	Web Belt	3	
79	57807/32/2	Male Joiner c/w Rod (LH offset)	1	
80	57807/32/3	Male Joiner c/w Rod (RH offset)	1	
81				
82	57456/28/3	Clamp Plate	6	
83	12238/6	Clamp Plate	201	
84	57058/3	Ø5.5x21 Rivet	405	
85	22016006/025	M6x25 Setscrew	24	
86	57807/2A	Centre Joining Rod	1	
87	57456/32/5	Outer Locking Plate	2	
88	57456/32/6	Inner Locking Plate	1	
	57807/36	36mm 2nd & 3rd Web Assy (3 band)		1500mm machine
		Consists Of:		
89	57807/1	Web Rod	60	
90	57807/2	Joining Rod	2	
91	57807/36/1	Web Belt	3	
92	57807/36/2	Male Joiner c/w Rod (LH offset)	1	
93	57807/36/3	Male Joiner c/w Rod (RH offset)	1	
94	57456/36/2	'H' Piece	3	
95	57456/36/3	Clamp Plate	6	
96	12238/6	Clamp Plate	183	
97	57058/3	Ø5.5x21 Rivet	366	
98	22016006/025	M6x25 Setscrew	24	
	57807/42	42mm 2nd & 3rd Web Assy (3 band)		1500mm machine
		Consists Of:		
89	57807/1	Web Rod	51	
90	57807/2	Joining Rod	2	
91	57807/42/1	Web Belt	3	
92	57807/42/2	Male Joiner c/w Rod (LH offset)	1	
93	57807/42/3	Male Joiner c/w Rod (RH offset)	1	
94	57456/42/2	'H' Piece	3	
95	57456/42/3	Clamp Plate	6	
96	12238/6	Clamp Plate	153	
97	57058/3	Ø5.5x21 Rivet	306	
98	22016006/025	M6x25 Setscrew	24	
	57807/45	45mm 2nd & 3rd Web Assy (3 band)		1500mm machine
		Consists Of:		
89	57807/1	Web Rod	-	
90	57807/2	Joining Rod	2	
91	57807/45/1	Web Belt	3	
92	57807/45/2	Male Joiner c/w Rod (LH offset)	1	
93	57807/45/3	Male Joiner c/w Rod (RH offset)	1	
94	57058/45/3HD	'H' Piece	3	
95	57058/45/4HD	Clamp Plate	6	
96	12238/6	Clamp Plate	-	
97	57058/3	Ø5.5x21 Rivet	-	
98	22016006/025	M6x25 Setscrew	24	

3.10g**ALL WEB UNIPLUS SPARE PARTS**

Machines from 2019

1st, 2nd, 3rd & 4th Webs

Item	Part No.	Description	Qty.	Remarks
	57807/50	50mm 2nd & 3rd Web Assy (3 band)		1500mm machine
		Consists Of:		
89	57807/1	Web Rod	-	
90	57807/2	Joining Rod	2	
91	57807/50/1	Web Belt	3	
92	57807/50/2	Male Joiner c/w Rod (LH offset)	1	
93	57807/50/3	Male Joiner c/w Rod (RH offset)	1	
94	59238/2	'H' Piece	3	
95	59238/3	Clamp Plate	6	
96	12238/6	Clamp Plate	-	
97	57058/3	Ø5.5x21 Rivet	-	
98	22016006/025	M6x25 Setscrew	24	
	57988/28	28mm 2nd & 3rd Web Assy (3 band)		1600mm machine
		Consists Of:		
76	57988/1	Web Rod	78	
77	57988/2	Joining Rod	2	
78	57807/28/1	Web Belt	3	
79	57988/28/2	Male Joiner c/w Rod (LH offset)	1	
80	57988/28/3	Male Joiner c/w Rod (RH offset)	1	
81				
82	57456/28/3	Clamp Plate	6	
83	12238/6	Clamp Plate	237	
84	57058/3	Ø5.5x21 Rivet	474	
85	22016006/025	M6x25 Setscrew	12	
86	57456/2A	Centre Joining Rod	1	
87	57807/28/5	Outer Joining Lock	2	
88	57807/28/6	Inner Joining Lock	1	
	57988/32	32mm 2nd & 3rd Web Assy (3 band)		1600mm machine
		Consists Of:		
76	57988/1	Web Rod	67	
77	57988/2	Joining Rod	2	
78	57807/32/1	Web Belt	3	
79	57988/32/2	Male Joiner c/w Rod (LH offset)	1	
80	57988/32/3	Male Joiner c/w Rod (RH offset)	1	
81				
82	57456/28/3	Clamp Plate	6	
83	12238/6	Clamp Plate	201	
84	57058/3	Ø5.5x21 Rivet	405	
85	22016006/025	M6x25 Setscrew	24	
86	57456/2A	Centre Joining Rod	1	
87	57456/32/2	Outer Joining Lock	2	
88	57456/32/2A	Inner Joining Lock	1	
	57988/36	36mm 2nd & 3rd Web Assy (3 band)		1600mm machine
		Consists Of:		
89	57988/1	Web Rod	60	
90	57988/2	Joining Rod	2	
91	57807/36/1	Web Belt	3	
92	57988/36/2	Male Joiner c/w Rod (LH offset)	1	
93	57988/36/3	Male Joiner c/w Rod (RH offset)	1	
94	57456/36/2	'H' Piece	3	
95	57456/36/3	Clamp Plate	6	
96	12238/6	Clamp Plate	180	

ALL WEB UNIPLUS SPARE PARTS

3.10h

Machines from 2019

1st, 2nd, 3rd & 4th Webs

Item	Part No.	Description	Qty.	Remarks
97	57058/3	Ø5.5x21 Rivet	360	1600mm machine
98	22016006/025	M6x25 Setscrew	24	
	57988/42	42mm 2nd & 3rd Web Assy (3 band)		
		Consists Of:		
89	57988/1	Web Rod	51	
90	57988/2	Joining Rod	2	
91	57807/42/1	Web Belt	3	
92	57988/42/2	Male Joiner c/w Rod (LH offset)	1	
93	57988/42/3	Male Joiner c/w Rod (RH offset)	1	
94	57456/42/2	'H' Piece	3	
95	57456/42/3	Clamp Plate	6	
96	12238/6	Clamp Plate	153	
97	57058/3	Ø5.5x21 Rivet	306	
98	22016006/025	M6x25 Setscrew	24	
	57973/36	36mm 2nd & 3rd Web Assy (4 band)		
		Consists Of:		
66	57973/1	Web Rod	61	
67	57973/2	Joining Rod	2	
68	57973/36/1	Web Belt	4	
69	57973/36/2	Male Joiner c/w Rod (LH offset)	1	
70	57973/36/3	Male Joiner c/w Rod (RH offset)	1	
71	57456/36/2	'H' Piece	4	
72	57456/36/3	Clamp Plate	8	
73	12238/6	Clamp Plate	244	
74	57058/3	Ø5.5x21 Rivet	488	
75	22016006/025	M6x25 Setscrew	32	
	57808/28	28mm 4th Web Assy (3 band)		
		Consists Of:		
76	57807/1	Web Rod	136	
77	57807/2	Joining Rod	2	
78	57808/28/1	Web Belt	3	
79	57807/28/2	Male Joiner c/w Rod (LH offset)	1	
80	57807/28/3	Male Joiner c/w Rod (RH offset)	1	
81				
82	57456/28/3	Clamp Plate	6	
83	12238/6	Clamp Plate	408	
84	57058/3	Ø5.5x21 Rivet	816	
85	22016006/025	M6x25 Setscrew	24	
86	57807/2A	Centre Joining Rod	1	
87	57807/28/5	Outer Joining Lock	2	
88	57807/28/6	Inner Joining Lock	1	
	57808/32	32mm 4th Web Assy (3 band)		
		Consists Of:		
76	57807/1	Web Rod	121	
77	57807/2	Joining Rod	2	
78	57808/32/1	Web Belt	3	
79	57807/32/2	Male Joiner c/w Rod (LH offset)	1	
80	57807/32/3	Male Joiner c/w Rod (RH offset)	1	

3.10i

ALL WEB UNIPLUS SPARE PARTS

Machines from 2019

1st, 2nd, 3rd & 4th Webs

Item	Part No.	Description	Qty.	Remarks
81				
82	57456/28/3	Clamp Plate	6	
83	12238/6	Clamp Plate	368	
84	57058/3	Ø5.5x21 Rivet	736	
85	22016006/025	M6x25 Setscrew	24	
86	57807/2A	Centre Joining Rod	1	
87	57456/32/2	Outer Joining Lock	2	
88	57456/32/2A	Inner Joining Lock	1	
	57808/36	36mm 4th Web Assy (3 band)		1500mm machine
		Consists Of:		
89	57807/1	Web Rod	106	
90	57807/2	Joining Rod	2	
91	57808/36/1	Web Belt	3	
92	57807/36/2	Male Joiner c/w Rod (LH offset)	1	
93	57807/36/3	Male Joiner c/w Rod (RH offset)	1	
94	57456/36/2	'H' Piece	3	
95	57456/36/3	Clamp Plate	6	
96	12238/6	Clamp Plate	315	
97	57058/3	Ø5.5x21 Rivet	630	
98	22016006/025	M6x25 Setscrew	24	
	57808/42	42mm 4th Web Assy (3 band)		1500mm machine
		Consists Of:		
89	57807/1	Web Rod	90	
90	57807/2	Joining Rod	2	
91	57808/42/1	Web Belt	3	
92	57807/42/2	Male Joiner c/w Rod (LH offset)	1	
93	57807/42/3	Male Joiner c/w Rod (RH offset)	1	
94	57456/42/2	'H' Piece	3	
95	57456/42/3	Clamp Plate	6	
96	12238/6	Clamp Plate	270	
97	57058/3	Ø5.5x21 Rivet	540	
98	22016006/025	M6x25 Setscrew	24	
	57808/50	50mm 4th Web Assy (3 band)		1500mm machine
		Consists Of:		
89	57807/1	Web Rod	75	
90	57807/2	Joining Rod	2	
91	57808/50/1	Web Belt	3	
92	57807/50/2	Male Joiner c/w Rod (LH offset)	1	
93	57807/50/3	Male Joiner c/w Rod (RH offset)	1	
94	59238/2	'H' Piece	3	
95	59238/3	Clamp Plate	6	
96	12238/6	Clamp Plate	225	
97	57058/3	Ø5.5x21 Rivet	450	
98	22016006/025	M6x25 Setscrew	24	
	57989/28	28mm 4th Web Assy (3 band)		1600mm machine
		Consists Of:		
76	57988/1	Web Rod	136	
77	57988/2	Joining Rod	2	
78	57808/28/1	Web Belt	3	
79	57807/28/2	Male Joiner c/w Rod (LH offset)	1	
80	57807/28/3	Male Joiner c/w Rod (RH offset)	1	

ALL WEB UNIPLUS SPARE PARTS

3.10j

Machines from 2019

1st, 2nd, 3rd & 4th Webs

Item	Part No.	Description	Qty.	Remarks
81				
82	57456/28/3	Clamp Plate	6	
83	12238/6	Clamp Plate	408	
84	57058/3	Ø5.5x21 Rivet	816	
85	22016006/025	M6x25 Setscrew	12	
86	57456/2A	Centre Joining Rod	1	
87	57807/28/5	Outer Joining Lock	2	
88	57807/28/6	Inner Joining Lock	1	
	57989/32	32mm 4th Web Assy (3 band)		1600mm machine
		Consists Of:		
76	57988/1	Web Rod	122	
77	57988/2	Joining Rod	2	
78	57808/32/1	Web Belt	3	
79	57988/32/2	Male Joiner c/w Rod (LH offset)	1	
80	57988/32/3	Male Joiner c/w Rod (RH offset)	1	
81				
82	57456/28/3	Clamp Plate	6	
83	12238/6	Clamp Plate	368	
84	57058/3	Ø5.5x21 Rivet	736	
85	22016006/025	M6x25 Setscrew	24	
86	57456/2A	Centre Joining Rod	1	
87	57456/32/2	Outer Joining Lock	2	
88	57456/32/2A	Inner Joining Lock	1	
	57989/36	36mm 4th Web Assy (3 band)		1600mm machine
		Consists Of:		
89	57988/1	Web Rod	106	
90	57988/2	Joining Rod	2	
91	57808/36/1	Web Belt	3	
92	57988/36/2	Male Joiner c/w Rod (LH offset)	1	
93	57988/36/3	Male Joiner c/w Rod (RH offset)	1	
94	57456/36/2	'H' Piece	3	
95	57456/36/3	Clamp Plate	6	
96	12238/6	Clamp Plate	315	
97	57058/3	Ø5.5x21 Rivet	630	
98	22016006/025	M6x25 Setscrew	24	
	57989/42	42mm 4th Web Assy (3 band)		1600mm machine
		Consists Of:		
89	57988/1	Web Rod	90	
90	57988/2	Joining Rod	2	
91	57808/42/1	Web Belt	3	
92	57988/42/2	Male Joiner c/w Rod (LH offset)	1	
93	57988/42/3	Male Joiner c/w Rod (RH offset)	1	
94	57456/42/2	'H' Piece	3	
95	57456/42/3	Clamp Plate	6	
96	12238/6	Clamp Plate	270	
97	57058/3	Ø5.5x21 Rivet	540	
98	22016006/025	M6x25 Setscrew	24	

3.10k

ALL WEB UNIPLUS SPARE PARTS

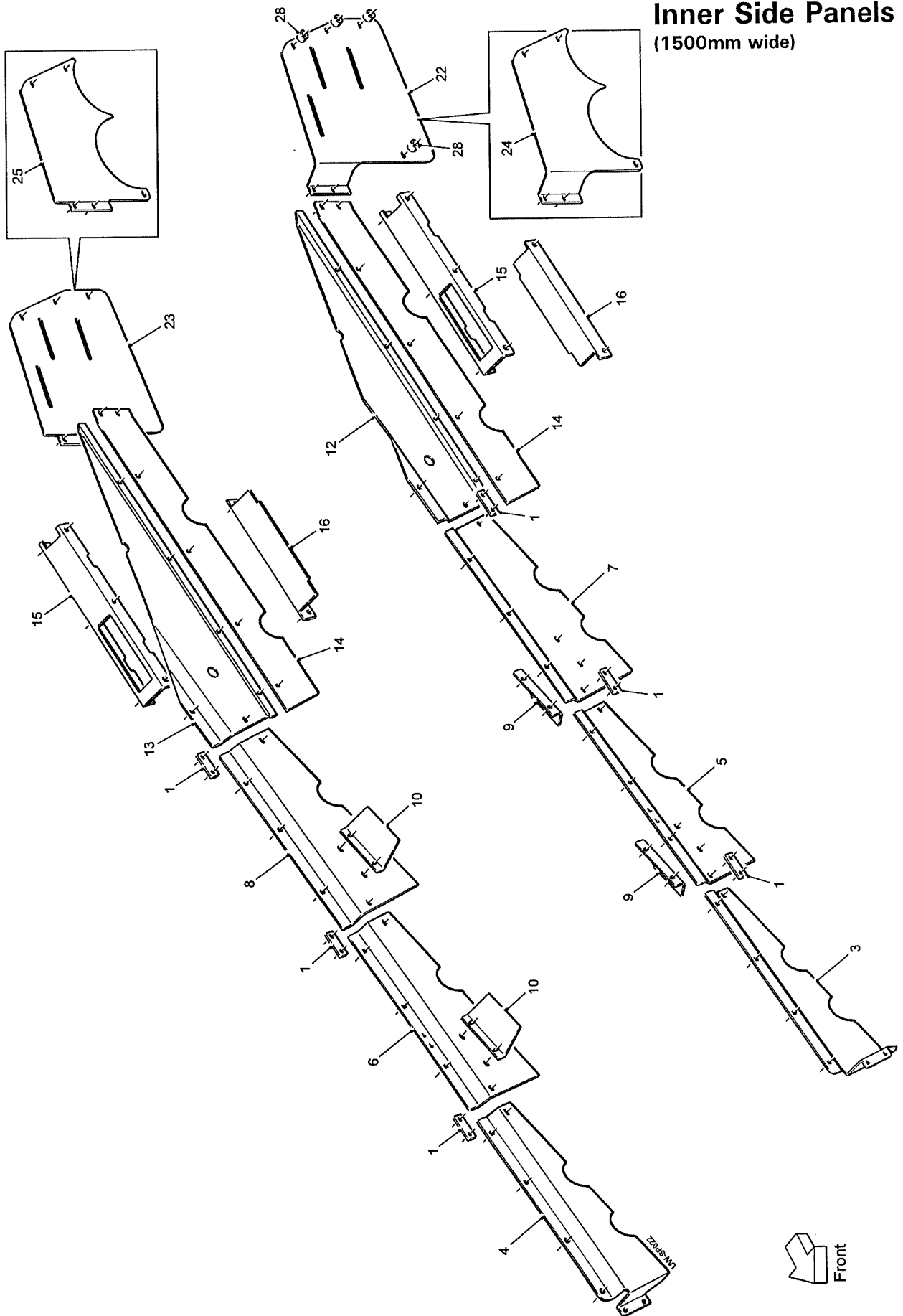
Machines from 2019

1st, 2nd, 3rd & 4th Webs

Item	Part No.	Description	Qty.	Remarks
	57974/28	28mm 4th Web Assy (4 band)		1700mm machine
		Consists Of:		
99	57973/1	Web Rod	136	
100	57973/2	Joining Rod	2	
101	57974/28/1	Web Belt	4	
102	57973/28/2	Male Joiner c/w Rod (LH offset)	1	
103	57973/28/3	Male Joiner c/w Rod (RH offset)	1	
104				
105	57456/28/3	Clamp Plate	8	
106	12238/6	Clamp Plate	544	
107	57058/3	Ø5.5x21 Rivet	1088	
108	22016006/025	M6x25 Setscrew	16	
109	57973/3	Centre Joining rod	1	
110	57807/28/5	Outer Joining Lock	2	
111	57807/28/6	Inner Joining Lock	2	
	57974/36	36mm 4th Web Assy (4 band)		1700mm machine
		Consists Of:		
112	57973/1	Web Rod	106	
113	57973/2	Joining Rod	2	
114	57974/36/1	Web Belt	4	
115	57973/36/2	Male Joiner c/w Rod (LH offset)	1	
116	57973/36/3	Male Joiner c/w Rod (RH offset)	1	
117	57456/36/2	'H' Piece	4	
118	57456/36/3	Clamp Plate	8	
119	12238/6	Clamp Plate	424	
120	57058/3	Ø5.5x21 Rivet	848	
121	22016006/025	M6x25 Setscrew	32	
	32719	Roller Assembly Consists Of:		
122	0000300504	Felt Seal	2	
123	6005RS	Bearing	2	
124	PH408	Seal	2	
125	PH77AR	Plain Roller	1	
	61084	Roller Assembly Consists Of:		
126	0000300504	Felt Seal	2	
127	6005RS	Bearing	2	
128	61078	Flanged Steel Roller	1	
129	61079	Spindle	1	
130	PH408	Seal	2	
131	PS843	Ø25 External Circlip	2	

Machines from 2019

Inner Side Panels
(1500mm wide)



3.11a**ALL WEB UNIPLUS SPARE PARTS**

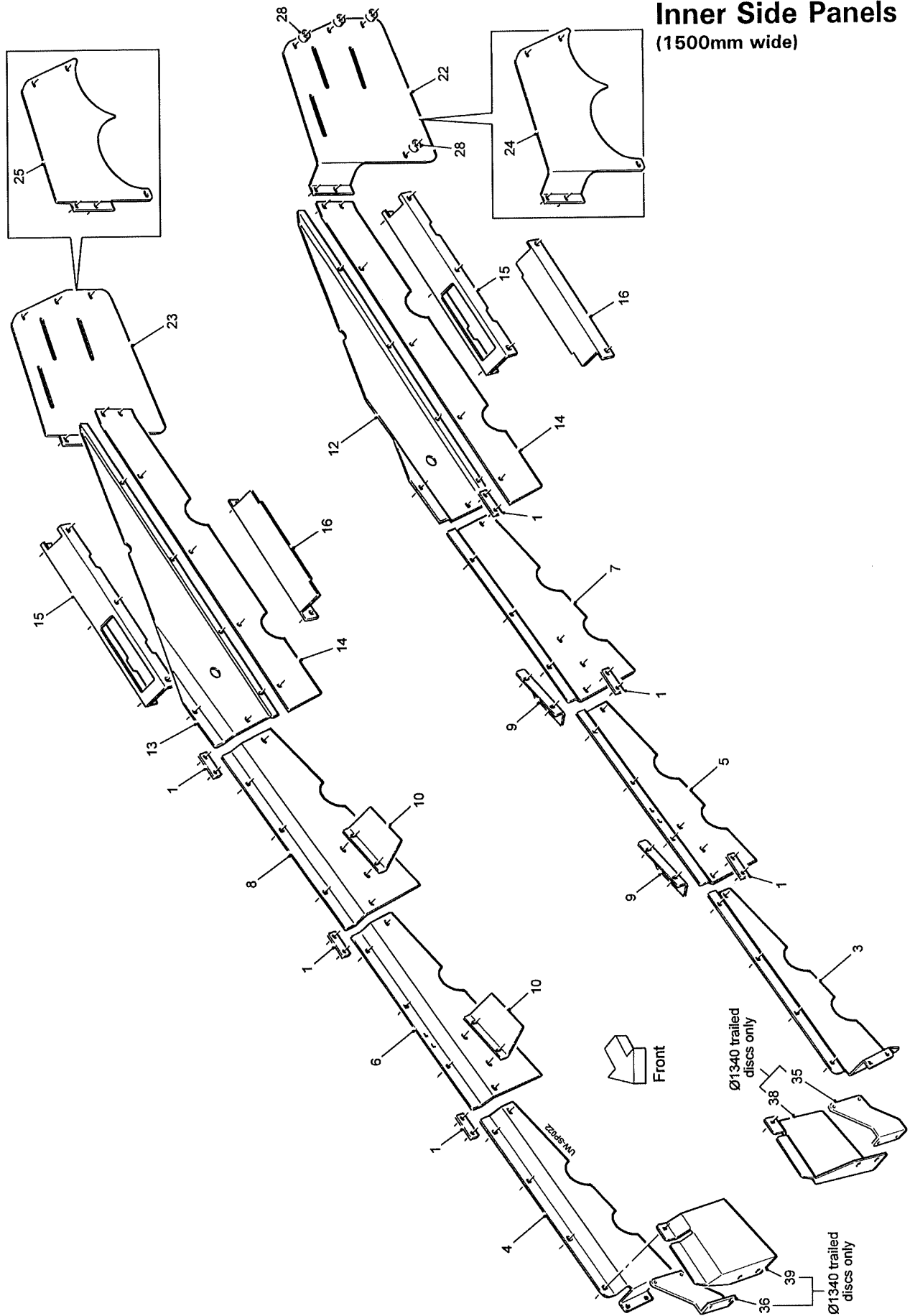
Machines from 2019

Inner Side Panels (1500mm wide)

Item	Part No.	Description	Qty.	Remarks
1	54013	Joining Strip	2	
2				
3	57789A/1500	1st Web LH Side Panel	1	
4	57790A/1500	1st Web RH Side Panel	1	
5	57791A/1500	2nd Web LH Side Panel	1	
6	57792A/1500	2nd Web RH Side Panel	1	
7	57793A/1500	3rd Web LH Side Panel	1	
8	57794A/1500	3rd Web RH Side Panel	1	
9	57830	Upper LH Soil Deflector	2	
10	57831	Upper RH Soil Deflector	2	
11				
12	61080/1500	4th Web Upper LH Side Panel	1	
13	61081/1500	4th Web Upper RH Side Panel	1	
14	61082A	4th Web Lower Side Panel	2	
15	61083	Panel Support	2	
16	61100	Panel Support	2	
17				
18				
19				
20				
21				
22	57797/1500	Rear LH Side Panel	1	Without boulder box
23	57798/1500	Rear RH Side Panel	1	Without boulder box
24	57872/1500	Rear LH Side Panel	1	With boulder box
25	57873/1500	Rear RH Side Panel	1	With boulder box
26				
27				
28	SS025017/025	Steel Spacer	8	

Machines from 2020

Inner Side Panels
(1500mm wide)



3.11a**ALL WEB UNIPLUS SPARE PARTS**

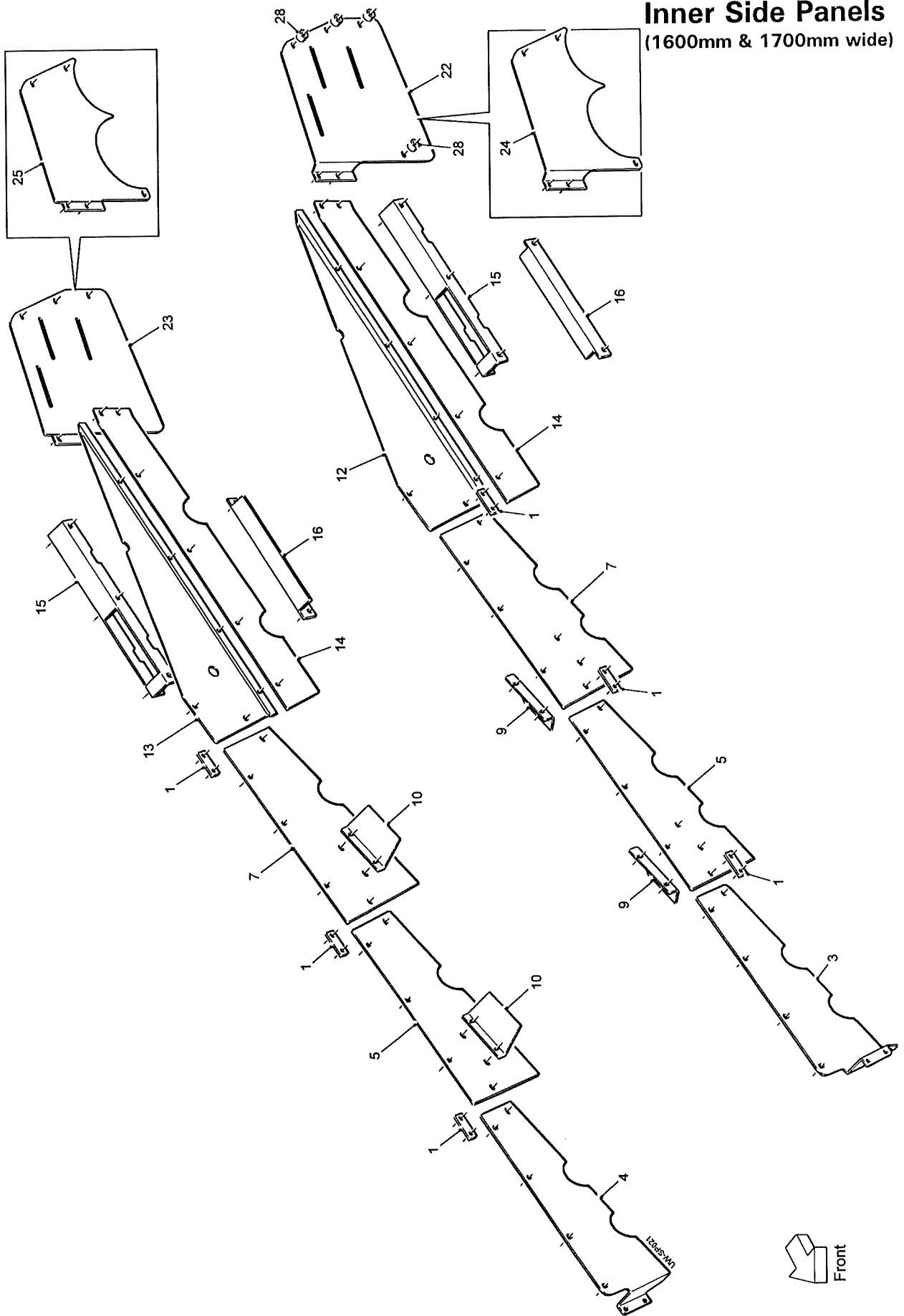
Machines from 2020

Inner Side Panels (1500mm wide)

Item	Part No.	Description	Qty.	Remarks
1	54013	Joining Strip	2	
2				
3	57789A/1500	1st Web LH Side Panel	1	
4	57790A/1500	1st Web RH Side Panel	1	
5	57791A/1500	2nd Web LH Side Panel	1	
6	57792A/1500	2nd Web RH Side Panel	1	
7	57793A/1500	3rd Web LH Side Panel	1	
8	57794A/1500	3rd Web RH Side Panel	1	
9	57830	Upper LH Soil Deflector	2	
10	57831	Upper RH Soil Deflector	2	
11				
12	61080/1500	4th Web Upper LH Side Panel	1	
13	61081/1500	4th Web Upper RH Side Panel	1	
14	61082A	4th Web Lower Side Panel	2	
15	61083	Panel Support	2	
16	61100	Panel Support	2	
17				
18				
19				
20				
21				
22	57797/1500	Rear LH Side Panel	1	Without boulder box
23	57798/1500	Rear RH Side Panel	1	Without boulder box
24	68110/1500	Rear LH Side Panel	1	With boulder box
25	68111/1500	Rear RH Side Panel	1	With boulder box
26				
27				
28	SS025017/025	Steel Spacer	8	
35	61815	Panel Support LH	1	Used with Ø1340 trailed discs
36	61816	Panel Support RH	1	Used with Ø1340 trailed discs
37				
38	68199	Intake Panel LH	1	Used with Ø1340 trailed discs
39	68200	Intake Panel RH	1	Used with Ø1340 trailed discs

Machines from 2019

Inner Side Panels
(1600mm & 1700mm wide)



3.12a**ALL WEB UNIPLUS SPARE PARTS**

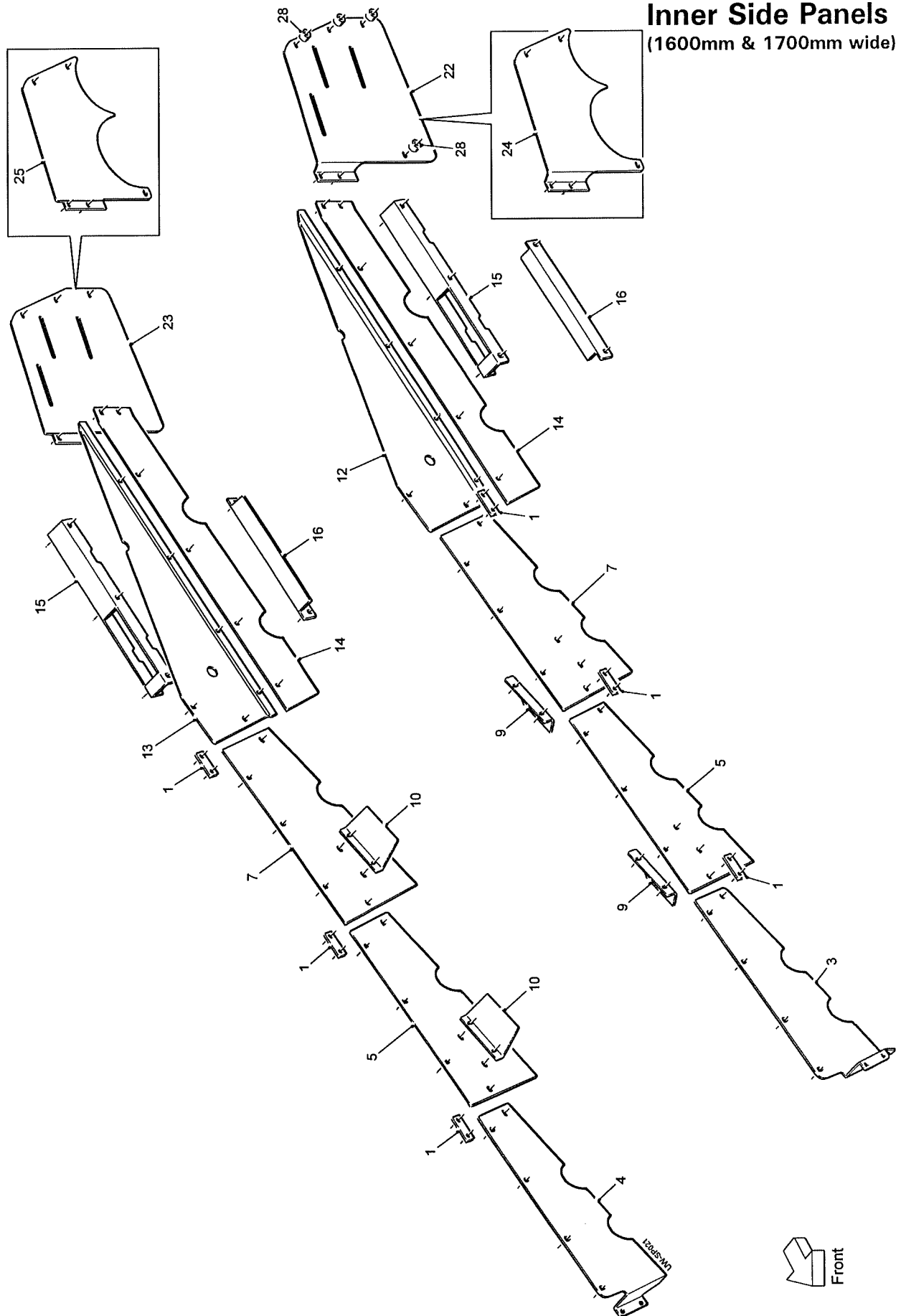
Machines from 2019

Inner Side Panels (1600mm & 1700mm wide)

Item	Part No.	Description	Qty.	Remarks
1	54013	Joining Strip	2	
2				
3	57789A/1600	1st Web LH Side Panel	1	
4	57790A/1600	1st Web RH Side Panel	1	
5	57791A	2nd Web Side Panel	2	
6				
7	57793A	3rd Web Side Panel	2	
8				
9	57830	Upper LH Soil Deflector	2	
10	57831	Upper RH Soil Deflector	2	
11				
12	61080	4th Web Upper LH Side Panel	1	
13	61081	4th Web Upper RH Side Panel	1	
14	61082A	4th Web Lower Side Panel	2	
15	61083A	Panel Support	2	
16	61100A	Panel Support	2	
17				
18				
19				
20				
21				
22	57797/1600	Rear LH Side Panel (1600 & 1700mm)	1	Without boulder box
23	57798/1600	Rear RH Side Panel (1600 & 1700mm)	1	Without boulder box
24	57872/1600	Rear LH Side Panel (1600 & 1700mm)	1	With boulder box
25	57873/1600	Rear RH Side Panel (1600 & 1700mm)	1	With boulder box
26				
27				
28	SS025017/025	Steel Spacer	8	

Machines from 2020

Inner Side Panels
(1600mm & 1700mm wide)



3.12a**ALL WEB UNIPLUS SPARE PARTS**

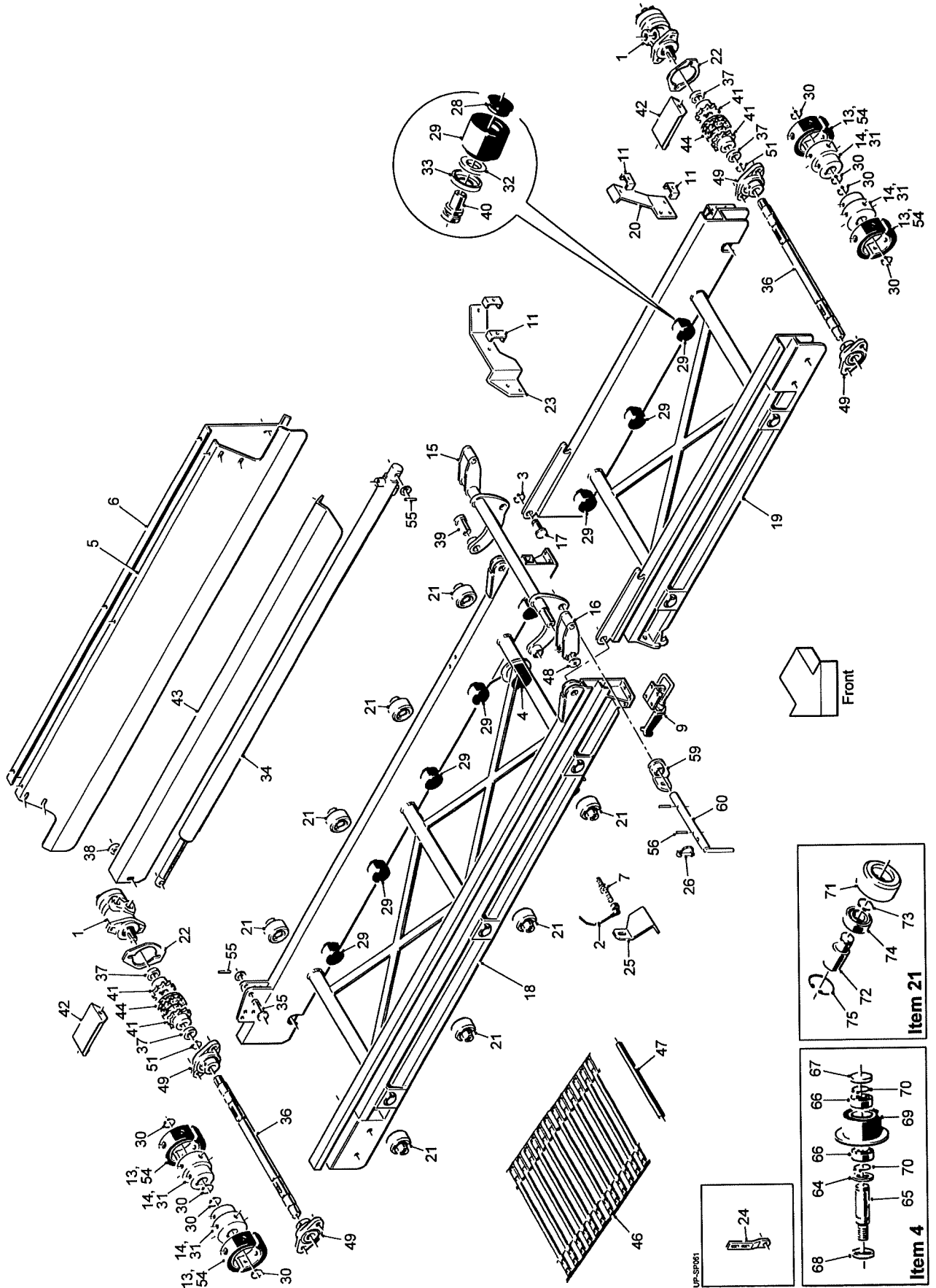
Machines from 2020

Inner Side Panels (1600mm & 1700mm wide)

Item	Part No.	Description	Qty.	Remarks
1	54013	Joining Strip	2	
2				
3	57789A/1600	1st Web LH Side Panel	1	
4	57790A/1600	1st Web RH Side Panel	1	
5	57791A	2nd Web Side Panel	2	
6				
7	57793A	3rd Web Side Panel	2	
8				
9	57830	Upper LH Soil Deflector	2	
10	57831	Upper RH Soil Deflector	2	
11				
12	61080	4th Web Upper LH Side Panel	1	
13	61081	4th Web Upper RH Side Panel	1	
14	61082A	4th Web Lower Side Panel	2	
15	61083A	Panel Support	2	
16	61100A	Panel Support	2	
17				
18				
19				
20				
21				
22	57797/1600	Rear LH Side Panel (1600 & 1700mm)	1	Without boulder box
23	57798/1600	Rear RH Side Panel (1600 & 1700mm)	1	Without boulder box
24	68110/1600	Rear LH Side Panel (1600 & 1700mm)	1	With boulder box
25	68111/1600	Rear RH Side Panel (1600 & 1700mm)	1	With boulder box
26				
27				
28	SS025017/025	Steel Spacer	8	

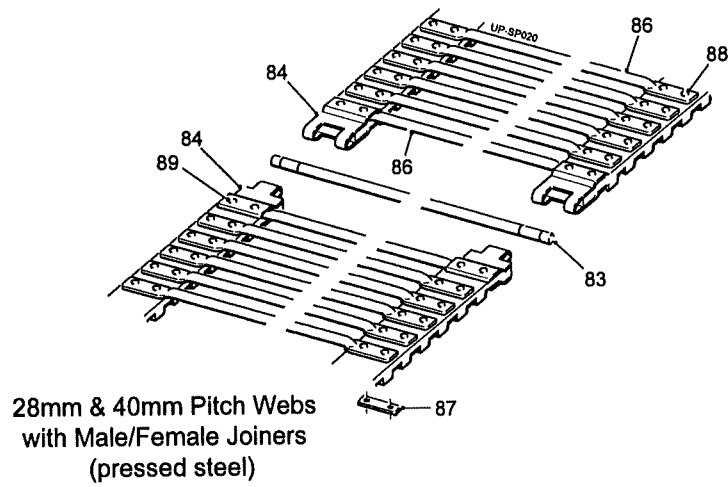
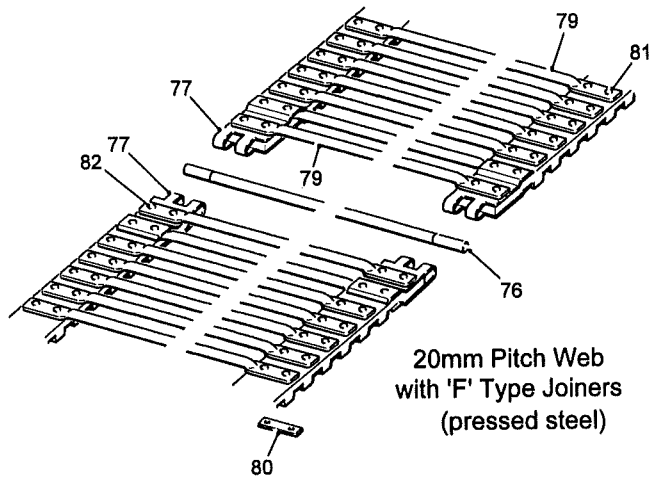
Machines from 2019

Cross Conveyor Assembly
Assy No 61976



Machines from 2019

Cross Conveyor Assembly
Assy No 61976



ALL WEB UNIPLUS SPARE PARTS

3.14b

Machines from 2019

Cross Conveyor Assembly

Assy No 61976

Item	Part No.	Description	Qty.	Remarks
1	11201	Hydraulic Motor	2	
2	32037/2	90° Sensor Cable (5m)	1	
3	12298	Ø20 External Circlip	2	
4	12506	Flanged Roler Assembly	2	(see list at end)
5	57560	Rear Panel (1500mm & 1600mm)	1	
	57560A	Rear Panel (1700mm)	1	
6	57561	Ram Shield (1500mm & 1600mm)	1	
	57561A	Ram Shield (1700mm)	1	
7	41504	Proximity Sensor	1	
8				
9	58115	Latch Clamp	2	
10				
11	59295	Pipe Clamp	4	
12				
13	61035	Drive Shoe Half	8	
14	61036	Drive Hub	4	
15	61933A	Latch Frame	1	┌ Replaces 61933
16	68137	Adjustable Hook Point	1	
17	61935	Conveyor Pivot Pin	2	
18	61938	Conveyor Main Section	1	
19	61939	Conveyor End Section	1	
20	61962	Pipe Support Bracket	1	
21	61985	Steel Roller Assembly	8	(see list at end)
22	62832A	Motor Spacer	2	
23	68028	Hose Retainer	1	
24	68033	Sensor Mounting	1	Used prior to 2021 only
25	68182	Sensor Shield	1	
26	10282	Linchpin	1	
27				
28	RPC620.303070	Cap	16	
29	RPC700.300148	Ø75 Plain Roller c/w Bearings	16	
30	RPF200.035250	Ø35 External Circlip	8	
31	RPF210.088040	8x8x40 RBE Key	4	
32	RPGM070.00446	Felt Seal	16	
33	RPGM089.00565	Roller Shield	16	
34	RPH871.303039	Hydraulic Ram	1	
35	RPM146.303066	Pin	1	
36	RPM162.304844	Drive Shaft	2	
37	RPM176.303034	Spacer (5mm)	4	
38	RPM176.303064	Spacer	1	
39	RPM178.307356	Spigot	2	
40	RPM180.303071	Pivot Bush	16	
41	RPM182.303035	12T 3/4" Pitch Sprocket	4	
42	RPM206.304847	Cover	2	
43	RPM224.304848	Ram Shield	1	
44	RPT738.600012	3/4" Pitch Duplex Chain	2	
45				
46	RPW300.303144A	20mm Pitch Web Assembly	1	(see list at end)
	RPW300.303144	28mm Pitch Web Assembly	1	(see list at end)
	RPW300.303145	40mm Pitch Web Assembly	1	(see list at end)
47	RPA580.303229	28mm Pitch Web Bar Cover Kit	1	Optional

3.14c

ALL WEB UNIPLUS SPARE PARTS

Machines from 2019

Cross Conveyor Assembly

Assy No 61976

Item	Part No.	Description	Qty.	Remarks
48	SS040013/005	Steel Spacer	1	
49	SFT30	Bearing	4	
50				
51	W0166	Ø30 External Circlip	2	
52				
53				
54	22015008/025	M8x25 Socket Head Cap Screw	24	
55	22067005/030	Ø5x30 Roll Pin	2	
56	22067006/035	Ø6x35 Roll Pin	2	
57				
58				
59	68026	Pin Mounting Bracket	1	
60	68027	Locking Pin	1	
	12506	Flanged Roller Assembly Consists Of:		
64	0000300504	Felt Seal	1	
65	11265	Roller Spindle	1	
66	6005RS	Bearing	2	
67	PH407	Seal	1	
68	PH408	Seal	1	
69	PH51AR	Flanged Roller	1	
70	PS843	Circlip	2	
	61985	Steel Roller Assembly Consists Of:		
71	RPM156.303068	Plain Roller	1	
72	61984	Spindle	1	
73	RPF200.020175	Ø20 External Circlip	1	
74	63042RS	Bearing	1	
75	W0167	Ø52 Internal Circlip	1	
	RPW300.303144A	20mm Pitch Web with 'F' Type Joiners (pressed steel) Consists Of:		
76	RPW300.303144A8	Ø10 Joining Rod	1	
77	RPW300.303144A9	20mm Pitch 'F' Type Joiner (4 hole)	4	
78				
79	RPM222.304121	Ø10 Web Rod	377	
80	RPGM019.00155	Clamp Plate	746	
81	RPF240.155200	Ø5x20 Rivet	1492	
82	RPW300.303144A7	Ø5x26 Rivet	16	
	RPW300.303144	28mm Pitch Web with Male/Female Joiners (pressed steel) Consists Of:		
83	RPM222.101008	Ø10 Joining Rod	1	
	RPW300.303144A4	Ø11 Joining Rod	1	
84	RPM419.252824	28mm Pitch M & F Joiners (2 hole)	2 pairs	
85				
86	RPM222.304121	Ø10 Web Rod	265	
87	RPGM019.00155	Clamp Plate	526	
88	RPF240.150220	Ø5x22 Rivet	1052	
89	RPF240.150250	Ø5x25 Rivet	8	

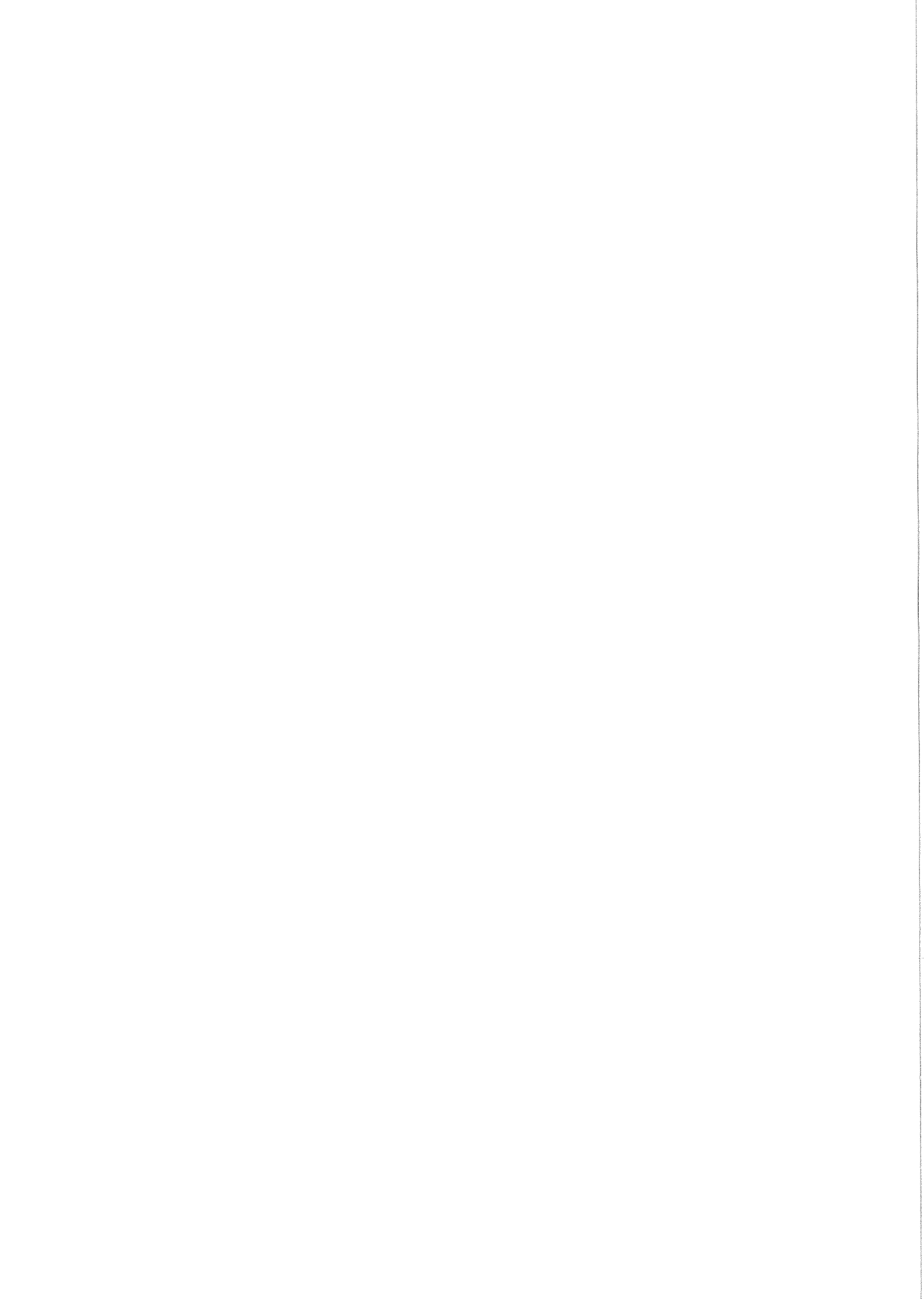
ALL WEB UNIPLUS SPARE PARTS**3.14d**

Machines from 2019

Cross Conveyor Assembly

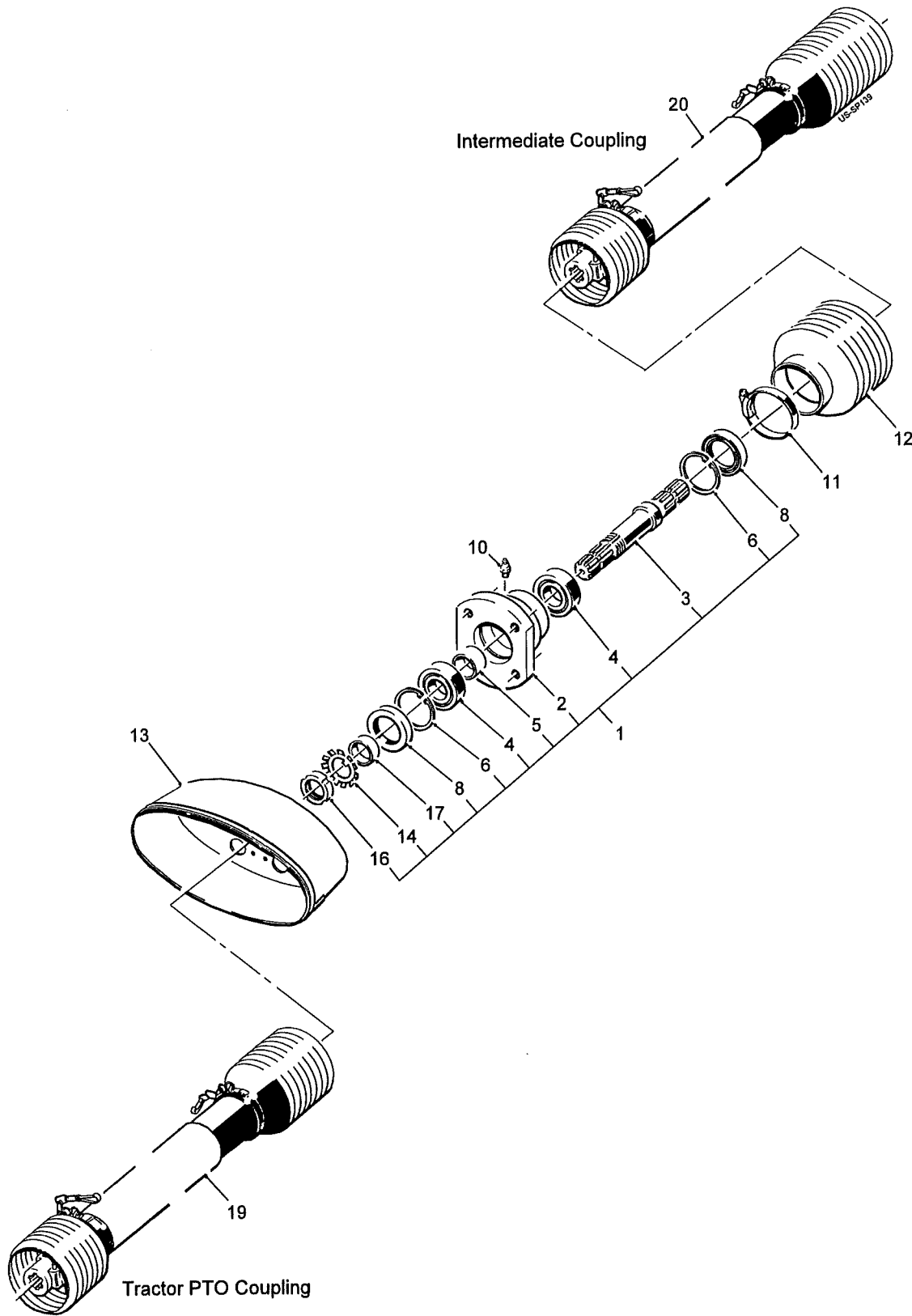
Assy No 61976

Item	Part No.	Description	Qty.	Remarks
	RPW300.303145	40mm Pitch Web with Male/Female Joiners (pressed steel) Consists Of:		
83	RPM222.101008	Ø10 Joining Rod	1	
	RPW300.303144A4	Ø11 Joining Rod	1	
84	RPM419.254024	40mm Pitch M & F Joiners (3 hole)	2 pairs	
85				
86	RPM222.304121	Ø10 Web Rod	186	
87	RPGM019.00155	Clamp Plate	368	
88	RPF240.150220	Ø5x22 Rivet	736	
89	RPF240.150250	Ø5x22 Rivet	12	



Machines from 2019

Input Drives



4.1a

ALL WEB UNIPLUS SPARE PARTS

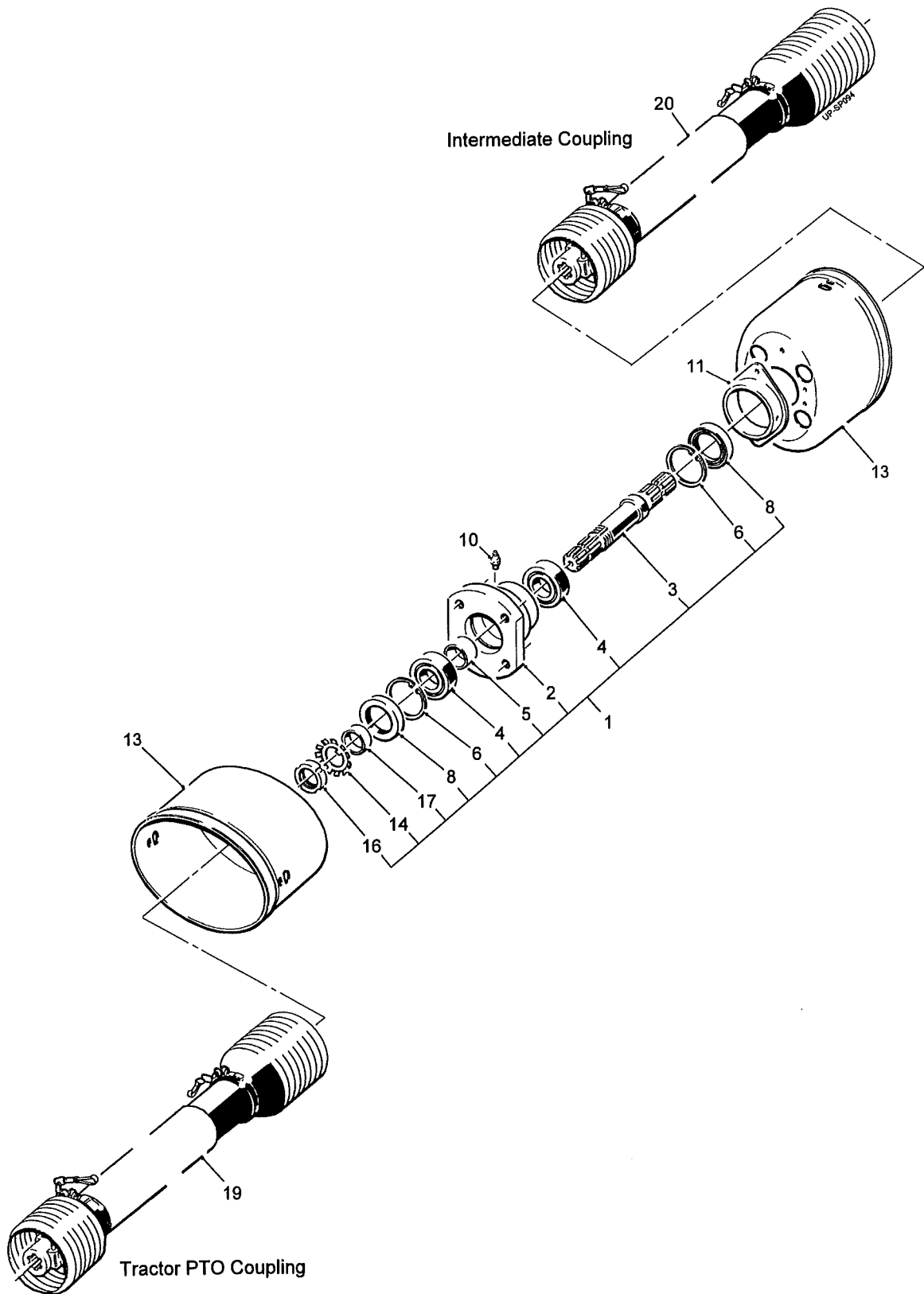
Machines from 2019

Input Drives

Item	Part No.	Description	Qty.	Remarks
1	RPS972	Drive Housing Assembly	1	
2	RPA610.306283	Housing	1	
3	RPS787B	Splined Shaft	1	
4	6208	Bearing	2	
5	RPGM060.00659	Spacer (37mm)	1	
6	W0161	Ø80 Internal Circlip	2	
7				
8	11876/4	Oil Seal (50x80x13)	2	
9				
10	RPC648.081250	M8 Straight Grease Nipple	1	
11	RPC654.303207	Hose Clip	1	
12	RPGMRPB95.01201	Guard Cone	1	
13	RPT842.306457	PTO Guard Cone (drilled)	1	
14	RPF284.140000	Lock Washer	1	
15				
16	45038	M40 Lock Nut	1	
17	61234	Spacer (20mm)	1	
18				
19	57055	PTO Drive Coupling Complete	1	
20	57113	Intermediate Drive Coupling Complete	1	

Machines from 2020

Input Drives



4.1a

ALL WEB UNIPLUS SPARE PARTS

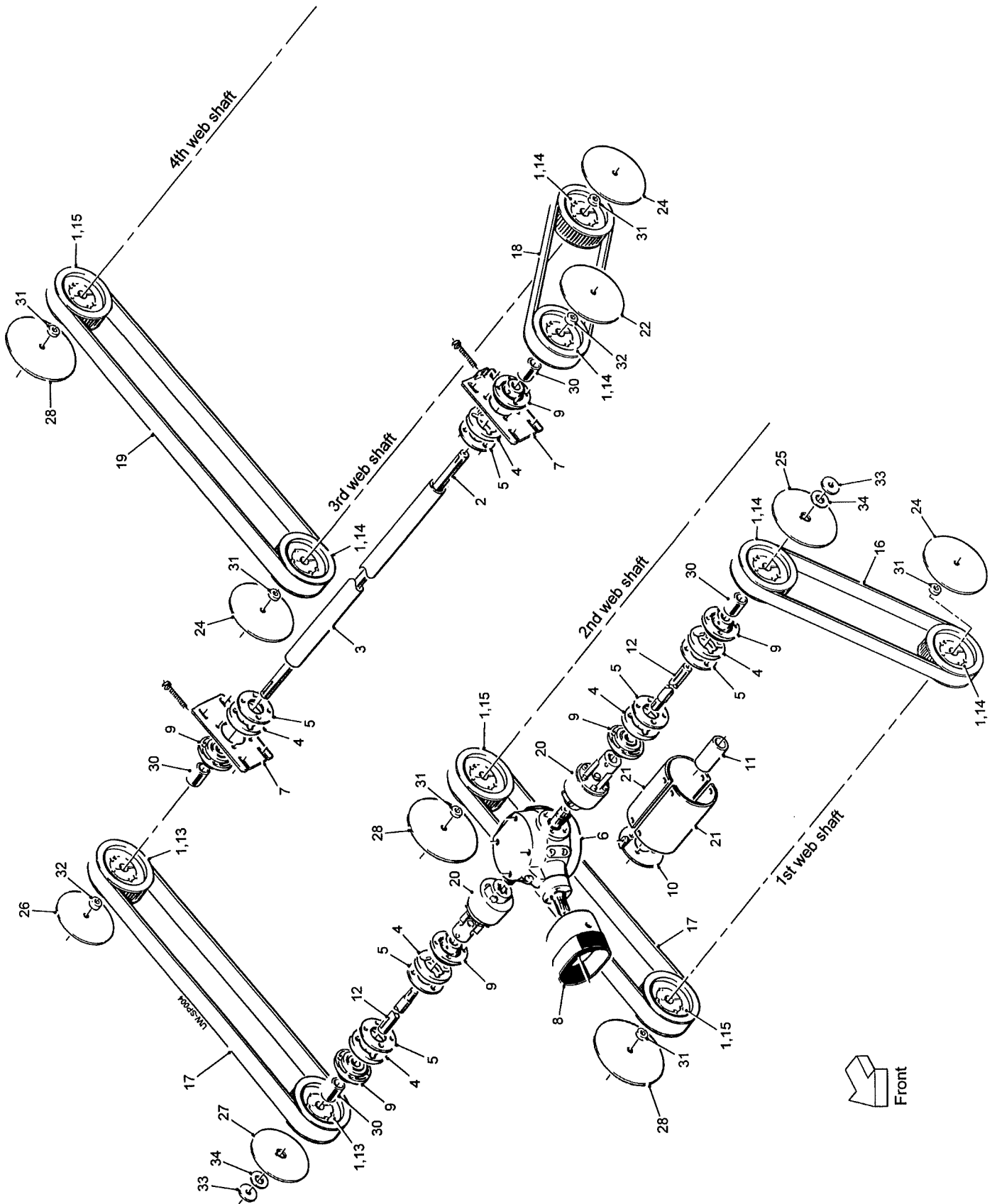
Machines from 2020

Input Drives

Item	Part No.	Description	Qty.	Remarks
1	RPS972	Drive Housing Assembly	1	
2	RPA610.306283	Housing	1	
3	RPS787B	Splined Shaft	1	
4	6208	Bearing	2	
5	RPGM060.00659	Spacer (37mm)	1	
6	W0161	Ø80 Internal Circlip	2	
7				
8	11876/4	Oil Seal (50x80x13)	2	
9				
10	RPC648.081250	M8 Straight Grease Nipple	1	
11	68098	Guard Cone Mount	1	
12				
13	RPT842.306457	PTO Guard Cone (drilled)	2	
14	RPF284.140000	Lock Washer	1	
15				
16	45038	M40 Lock Nut	1	
17	61234	Spacer (20mm)	1	
18				
19	57055	PTO Drive Coupling Complete	1	
20	57113	Intermediate Drive Coupling Complete	1	

Machines from 2019

Belt Drives



4.2a

ALL WEB UNIPLUS SPARE PARTS

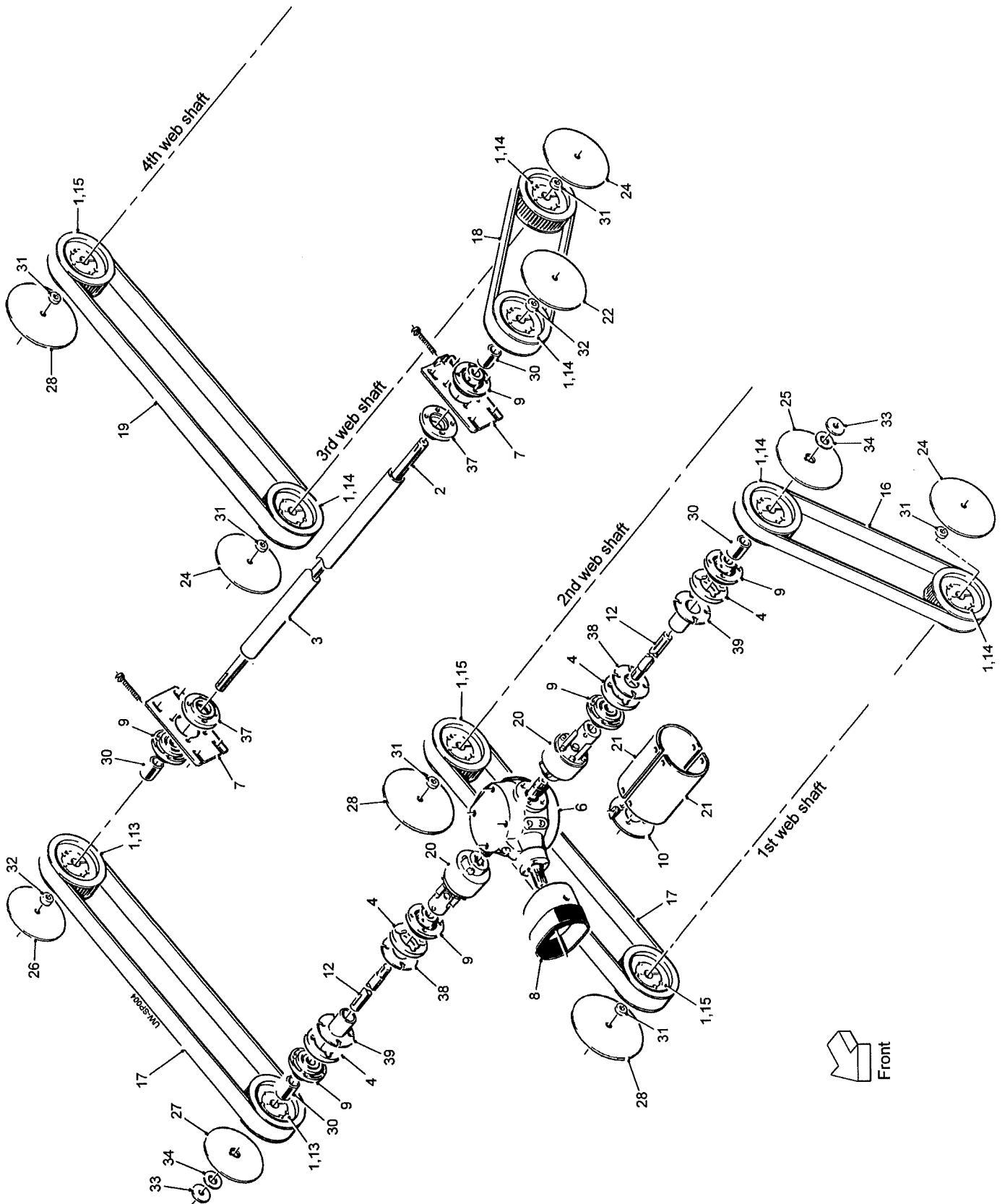
Machines from 2019

Belt Drives

Item	Part No.	Description	Qty.	Remarks
1	57006	Taperlock Bush	10	
2	57048	Layshaft	1	1500 & 1600mm
	57048A	Layshaft	1	1700mm
3	57049	Guard Tube	1	1500 & 1600mm
	57049A	Guard Tube	1	1700mm
4	57051	Spacer Disc	6	
5	57070	Guard Tube Support Disc	6	
6	57098	Gearbox Assembly	1	
7	57137	Adjuster Plate	2	
8	57238	PTO Guard	1	
9	57283	Bearing	6	
10	57704	Guard Inner Support	2	
11	57766	Guard Tube	2	1500 & 1600mm
	57766A	Guard Tube	2	1700mm
12	57770	Half Shaft	2	1500 & 1600mm
	57770A	Half Shaft	2	1700mm
13	57799	48T Pulley	2	
14	57800	56T Pulley	5	
15	57801	64T Pulley	3	
16	57802	Drive Belt (55x2100mm)	1	
17	57803	Drive Belt (55x2800mm)	2	
18	57804	Drive Belt (55x2520mm)	1	
19	57805	Drive Belt (55x4410mm)	1	
20	57819	Friction Clutch Assembly (1350 Nm)	2	
21	57878	Clutch Guard	4	
22	57760	Ø275mm Pulley Flange (Ø17 hole)	1	
23				
24	61103	Ø275mm Pulley Flange (Ø13 hole)	3	
25	61104	Ø275mm Pulley Flange (Ø51 hole)	1	
26	61105	Ø250mm Pulley Flange (Ø17 hole)	1	
27	61106	Ø250mm Pulley Flange (Ø51 hole)	1	
28	61107	Ø320mm Pulley Flange (Ø13 hole)	3	
29				
30	SS060054/086	Steel Spacer	4	
31	SS030013/010	Steel Spacer	6	
32	SS030017/013	Steel Spacer	2	
33	SS070017/005	Steel Spacer	2	
34	SS070051/002	Steel Spacer	2	

Machines from 2020

Belt Drives



4.2a

ALL WEB UNIPLUS SPARE PARTS

Machines from 2020

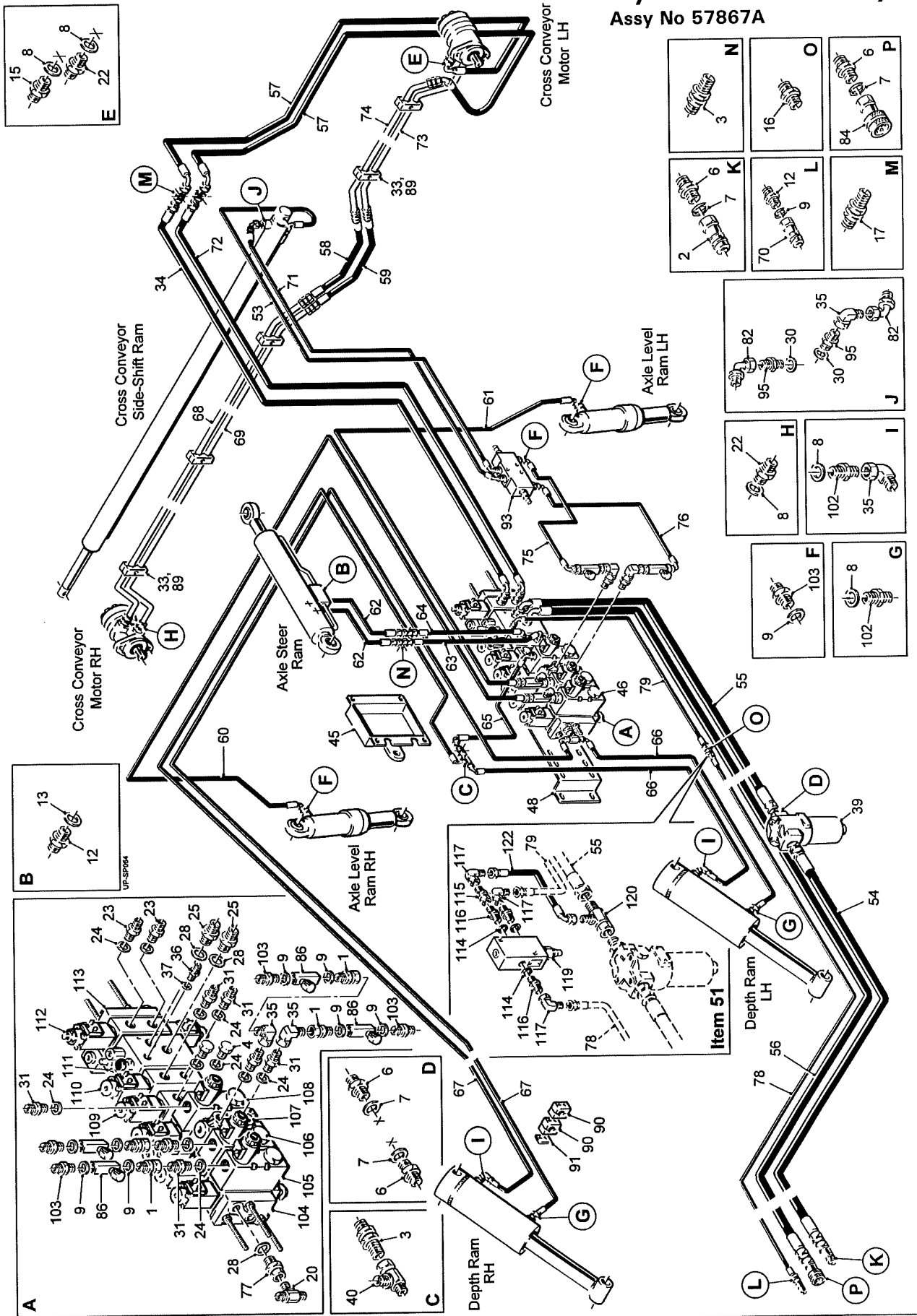
Belt Drives

Item	Part No.	Description	Qty.	Remarks
1	57006	Taperlock Bush	10	
2	57048	Layshaft	1	1500 & 1600mm
	57048A	Layshaft	1	1700mm
3	57049	Guard Tube	1	1500 & 1600mm
	57049A	Guard Tube	1	1700mm
4	57051	Spacer Disc	4	
5				
6	57098	Gearbox Assembly	1	
7	57137	Adjuster Plate	2	
8	57238	PTO Guard	1	
9	57283	Bearing	6	
10	57704	Guard Inner Support	2	
11				
12	57770	Half Shaft	2	1500 & 1600mm
	57770A	Half Shaft	2	1700mm
13	57799	48T Pulley	2	
14	57800	56T Pulley	5	
15	57801	64T Pulley	3	
16	57802	Drive Belt (55x2100mm)	1	
17	57803	Drive Belt (55x2800mm)	2	
18	57804	Drive Belt (55x2520mm)	1	
19	57805	Drive Belt (55x4410mm)	1	
20	57819	Friction Clutch Assembly (1350 Nm)	2	
21	57878	Clutch Guard	4	
22	57760	Ø275mm Pulley Flange (Ø17 hole)	1	
23				
24	61103	Ø275mm Pulley Flange (Ø13 hole)	3	
25	61104	Ø275mm Pulley Flange (Ø51 hole)	1	
26	61105	Ø250mm Pulley Flange (Ø17 hole)	1	
27	61106	Ø250mm Pulley Flange (Ø51 hole)	1	
28	61107	Ø320mm Pulley Flange (Ø13 hole)	3	
29				
30	SS060054/086	Steel Spacer	4	
31	SS030013/010	Steel Spacer	6	
32	SS030017/013	Steel Spacer	2	
33	SS070017/005	Steel Spacer	2	
34	SS070051/002	Steel Spacer	2	
35				
36				
37	68094	Guard Tube Support	2	
38	68096	Bearing Shield	2	
39	68097	Shaft Shield	2	1500 & 1600mm
	68097A	Shaft Shield	2	1700mm

Machines from 2019

Hydraulic Assembly

Assy No 57867A



4.3a

ALL WEB UNIPLUS SPARE PARTS

Machines from 2019

Hydraulic Assembly

Assy No 57867A

Item	Part No.	Description	Qty.	Remarks
1	10128	3/8"BSP MF Swivel Adaptor	4	
2	11108A	3/4"BSP Male Probe	1	
3	10466	3/8"BSP Bulkhead Adaptor	3	
4	16454	M18 Blanking Plug	2	
5				
6	11115	3/4"BSP M M Adaptor	4	
7	11123	3/4"BSP Dowty Seal	4	
8	11124	1/2"BSP Dowty Seal	10	
9	11125	3/8"BSP Dowty Seal	14	
10	11295	1/2"BSPx3/4"BSP M M Adaptor	2	
11				
12	11336	1/4"BSP x3/8"BSP M M Adaptor	3	
13	11337	1/4"BSP Dowty Seal	2	
14				
15	12315	1/2"BSP M M Adaptor	1	
16	12316	1/4"BSP M M Adaptor	1	
17	12321	1/2"BSP Bulkhead Adaptor	2	
18				
19				
20	23139	3/8"BSP M M M Tee	1	
21				
22	27388	1/2"BSPx15L Male Stud Coupling	3	
23	27459	M18x1/2"BSP M M Adaptor	2	
24	27461	M18 Dowty Seal	9	
25	27904	M22x3/4"BSP M M Adaptor	2	
26				
27				
28	31167	M22 Dowty Seal	3	
29				
30	37104	M16 Dowty Seal	2	
31	37599	M18x3/8"BSP M M Adaptor	7	
32				
33	41401	Pipe Clamp (15-15)	5	
34	60090	1/2"Hose Assembly (2900mm)	1	
35	42343	3/8"BSP MF Compact 90° Adaptor	3	
36	44207	M14x1/4"BSP M M Adaptor	1	
37	44208	M14 Dowty Seal	1	
38				
39	46859	Pressure Filter Assembly	1	Element only 37770/1
40	46939	3/8"BSP F M M Tee	1	
41				
42				
43				
44				
45	57084	Valve Cover Plate	1	
46	61266	Valve Bank Assembly	1	(see list at end)
47				
48	57208	Valve Mounting Plate	1	
49				
50				
51	57612	Load Sensing Valve Kit	1	Optional
52				
53	60248	3/8"Hose Assembly (2460mm)	1	
54	60267	3/4"Hose Assembly (6070mm)	1	
55	60268	3/4"Hose Assembly (3200mm)	1	

ALL WEB UNIPLUS SPARE PARTS

4.3b

Machines from 2019

Hydraulic Assembly

Assy No 57867A

Item	Part No.	Description	Qty.	Remarks
56	60269	3/4"Hose Assembly (9100mm)	1	
57	60850	1/2"Hose Assembly (2810mm)	2	
58	60851	1/2"Hose Assembly (580mm)	1	
59	60852	1/2"Hose Assembly (630mm)	1	
60	60824	3/8"Hose Assembly (4400mm)	1	
61	40042	3/8"Hose Assembly (2400mm)	1	
62	60278	3/8"Hose Assembly (660mm)	2	
63	60279	3/8"Hose Assembly (760mm)	1	
64	60280	3/8"Hose Assembly (510mm)	1	
65	60281	3/8"Hose Assembly (560mm)	1	
66	60282	3/8"Hose Assembly (3660mm)	2	
67	60624	3/8"Hose Assembly (7085mm)	2	
68	60842	Ø15 Steel Pipe Assembly (top)	1	
69	60843	Ø15 Steel Pipe Assembly (bottom)	1	
70	60166	3/8"BSP Male Probe	1	
71	60846	3/8"Hose Assembly (2550mm)	1	
72	60476	1/2"Hose Assembly (2800mm)	1	
73	60844	Ø15 Steel Pipe Assembly	1	
74	60845	Ø15 Steel Pipe Assembly	1	
75	60848	3/8"Hose Assembly (1255mm)	1	
76	60849	3/8"Hose Assembly (755mm)	1	
77	60326	M22 Mx3/8"BSP FM Swivel Adaptor	1	
78	60456	1/4"Hose Assembly (5900mm)	1	
79	60457	1/4"Hose Assembly (3300mm)	1	
80				
81				
82	60491	3/8"BSP Swept 45° Adaptor	2	
83				
84	61600	3/4"BSP Fem Quick Release Coupling	1	
85				
86	KA17102	3/8"BSP Adjustable Restrictor Valve	4	
87				
88				
89	RPC654.308052	Pipe Clamp Plate	5	
90	RPC654.309034/1	Pipe Clamp (20)	2 pair	
91	RPC654.309035	Pipe Clamp plate	1	
92				
93	DWS1134/1	3/8"BSP Over-centre Valve	1	
94				
95	RPH700.170616	M16x3/8"BSP M M Adaptor	2	
96				
97				
98				
99				
100				
101				
102	UC25	1/2"BSPx3/8"BSP M M Adaptor	4	
103	UC31A	3/8"BSP M M Adaptor	10	
	61266	Valve Bank Assembly Consists Of:		
104	57085/2	End Plate	1	
105	57085/6	'RH Axle Level' Section	1	
106	57085/6	'LH Axle Level' Section	1	
107	58051/1	'Conveyor Side Shift' Section	1	
108	57085/7	'Share Depth' Section	1	

4.3c**ALL WEB UNIPLUS SPARE PARTS**

Machines from 2019

Hydraulic Assembly

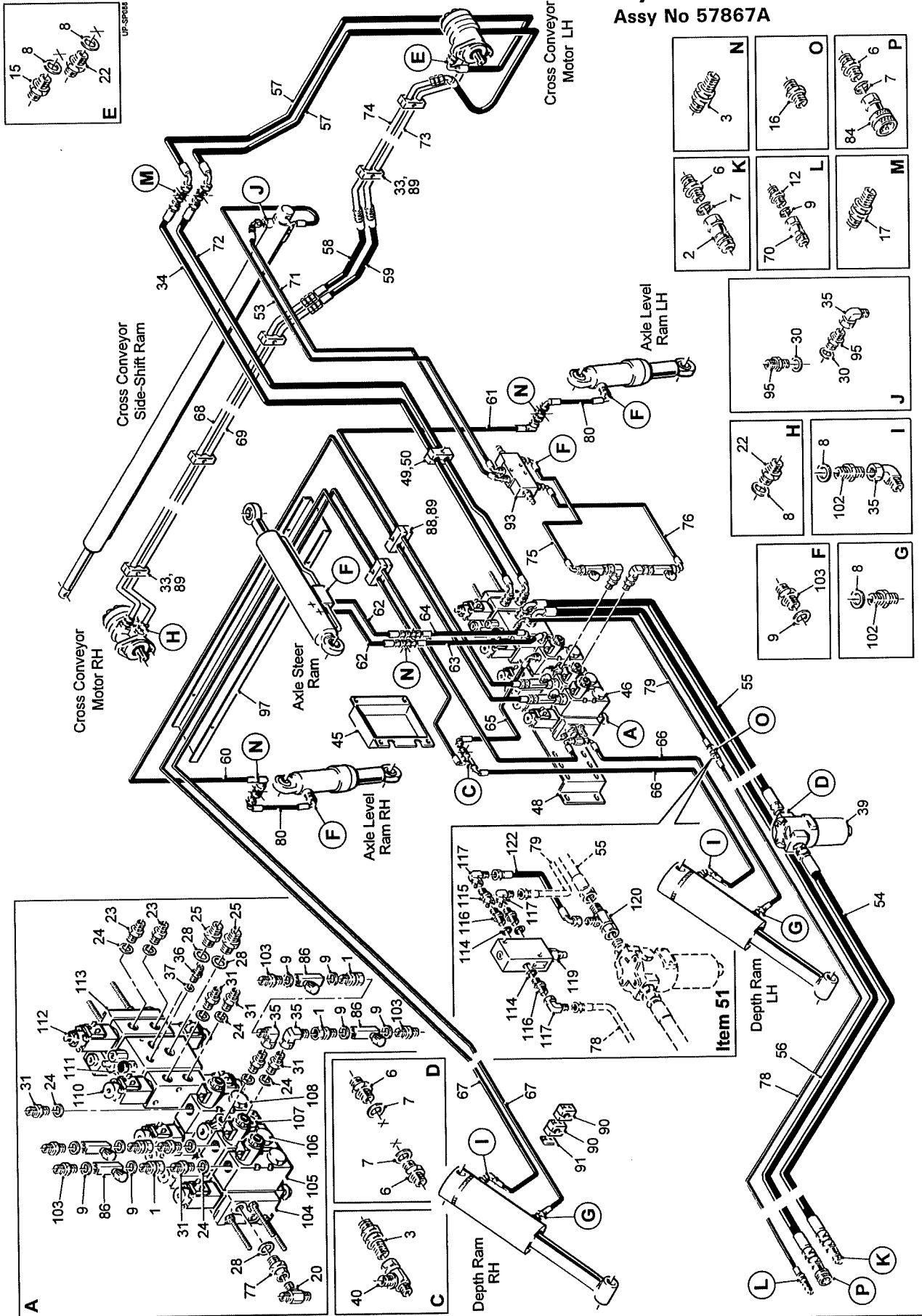
Assy No 57867A

Item	Part No.	Description	Qty.	Remarks
109	46285/3	'Spare' Section	1	
110	46285/10	'Axle Steer' Section	1	
111	46285/4	Inlet Section	1	
112	57085/5	'Cross Conveyor Motors' Section	1	
113	57085/2	End Plate	1	
	57612	Load Sensing Valve Kit Consists Of:		
114	44208	M14 Dowty Seal	3	
115	41484	1/4"BSP M F Swivel Adaptor	1	
116	44207	M14x1/4"BSP M M Adaptor	3	
117	12378	1/4"BSP MF Swept 90° Adaptor	3	
118				
119	57523	Load Sensing Valve	1	
120	57613	3/4"Fx1/4"Mx3/4"M Tee	1	
121				
122	60458	1/4"Hose Assembly (570mm)	1	

Machines from 2020

Hydraulic Assembly

Assy No 57867A



4.3a

ALL WEB UNIPLUS SPARE PARTS

Machines from 2020

Hydraulic Assembly

Assy No 57867A

Item	Part No.	Description	Qty.	Remarks
1	10128	3/8"BSP MF Swivel Adaptor	4	
2	11108A	3/4"BSP Male Probe	1	
3	10466	3/8"BSP Bulkhead Adaptor	5	
4				
5				
6	11115	3/4"BSP M M Adaptor	4	
7	11123	3/4"BSP Dowty Seal	4	
8	11124	1/2"BSP Dowty Seal	10	
9	11125	3/8"BSP Dowty Seal	18	
10				
11				
12	11336	1/4"BSP x3/8"BSP M M Adaptor	1	
13				
14				
15	12315	1/2"BSP M M Adaptor	1	
16	12316	1/4"BSP M M Adaptor	1	
17	12321	1/2"BSP Bulkhead Adaptor	2	
18				
19				
20	23139	3/8"BSP M M M Tee	1	
21				
22	27388	1/2"BSPx15L Male Stud Coupling	3	
23	27459	M18x1/2"BSP M M Adaptor	2	
24	27461	M18 Dowty Seal	7	
25	27904	M22x3/4"BSP M M Adaptor	2	
26				
27				
28	31167	M22 Dowty Seal	3	
29				
30	37104	M16 Dowty Seal	2	
31	37599	M18x3/8"BSP M M Adaptor	7	
32				
33	41401	Pipe Clamp (15-15)	5	
34	60090	1/2"Hose Assembly (2900mm)	1	
35	42343	3/8"BSP MF Compact 90°Adaptor	5	
36	44207	M14x1/4"BSP M M Adaptor	1	
37	44208	M14 Dowty Seal	1	
38				
39	46859	Pressure Filter Assembly	1	Element only 37770/1
40	46939	3/8"BSP F M M Tee	1	
41				
42				
43				
44				
45	57084A	Valve Cover Plate	1	Cover with roller lug 57084
46	61266	Valve Bank Assembly	1	(see list at end)
47				
48	57208	Valve Mounting Plate	1	
49	57224	Pipe Clamp (22-22)	1 pair	
50	57225	Pipe Clamp Plate	1	
51	57612	Load Sensing Valve Kit	1	Optional
52				
53	60248	3/8"Hose Assembly (2460mm)	1	
54	60267	3/4"Hose Assembly (6070mm)	1	
55	60268	3/4"Hose Assembly (3200mm)	1	

ALL WEB UNIPLUS SPARE PARTS

4.3b

Machines from 2020

Hydraulic Assembly

Assy No 57867A

Item	Part No.	Description	Qty.	Remarks
56	60269	3/4"Hose Assembly (9100mm)	1	
57	60850	1/2"Hose Assembly (2810mm)	2	
58	60851	1/2"Hose Assembly (580mm)	1	
59	60852	1/2"Hose Assembly (630mm)	1	
60	60276	3/8"Hose Assembly (3560mm)	1	
61	60277	3/8"Hose Assembly (1760mm)	1	
62	60278	3/8"Hose Assembly (660mm)	2	
63	60279	3/8"Hose Assembly (760mm)	1	
64	60280	3/8"Hose Assembly (510mm)	1	
65	60281	3/8"Hose Assembly (560mm)	1	
66	60282	3/8"Hose Assembly (3660mm)	2	
67	60624	3/8"Hose Assembly (7085mm)	2	
68	60842	Ø15 Steel Pipe Assembly (top)	1	
69	60843	Ø15 Steel Pipe Assembly (bottom)	1	
70	60166	3/8"BSP Male Probe	1	
71	60846	3/8"Hose Assembly (2550mm)	1	
72	60476	1/2"Hose Assembly (2800mm)	1	
73	60844	Ø15 Steel Pipe Assembly	1	
74	60845	Ø15 Steel Pipe Assembly	1	
75	60848	3/8"Hose Assembly (1255mm)	1	
76	60849	3/8"Hose Assembly (755mm)	1	
77	60326	M22 Mx3/8"BSP FM Swivel Adaptor	1	
78	60456	1/4"Hose Assembly (6700mm)	1	
79	60457	1/4"Hose Assembly (3300mm)	1	
80	60275	3/8"Hose Assembly (510mm)	2	
81				
82				
83				
84	61600	3/4"BSP Fem Quick Release Coupling	1	
85				
86	KA17102	3/8"BSP Adjustable Restrictor Valve	4	
87				
88	RPC654.308051	Pipe Clamp (18-18)	2 pair	
89	RPC654.308052	Pipe Clamp Plate	7	
90	RPC654.309034/1	Pipe Clamp (20)	2 pair	
91	RPC654.309035	Pipe Clamp plate	1	
92				
93	DWS1134/1	3/8"BSP Over-centre Valve	1	
94				
95	RPH700.170616	M16x3/8"BSP M M Adaptor	2	
96				
97	68123B	Hose Tray	1	1500 & 1600mm
	68123A	Hose Tray	1	1700mm
98				
99				
100				
101				
102	UC25	1/2"BSPx3/8"BSP M M Adaptor	4	
103	UC31A	3/8"BSP M M Adaptor	12	
	61266	Valve Bank Assembly Consists Of:		
104	57085/2	End Plate	1	
105	57085/6	'RH Axle Level' Section	1	
106	57085/6	'LH Axle Level' Section	1	

4.3c

ALL WEB UNIPLUS SPARE PARTS

Machines from 2020

Hydraulic Assembly

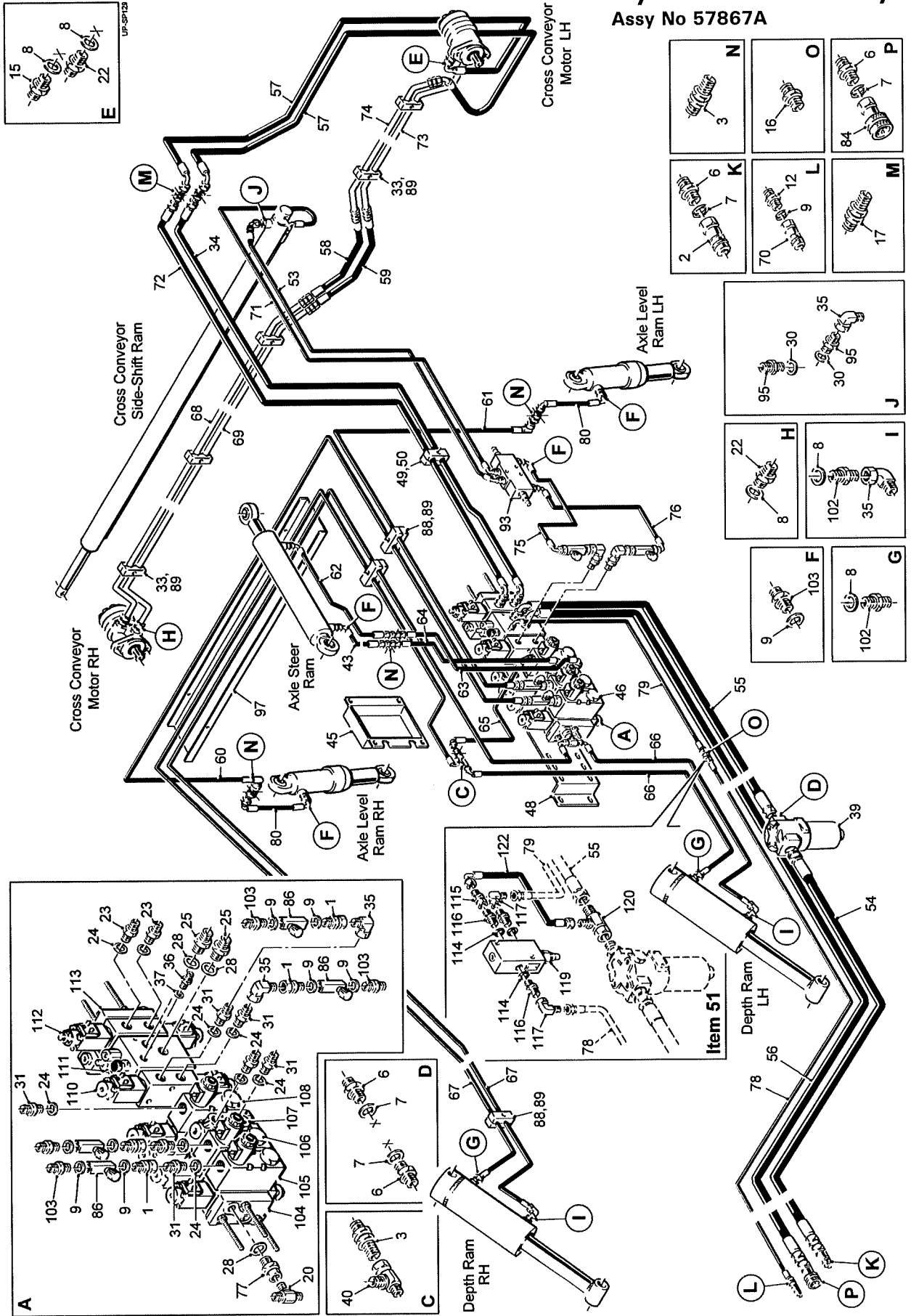
Assy No 57867A

Item	Part No.	Description	Qty.	Remarks
107	58051/1	'Conveyor Side Shift' Section	1	
108	57085/7	'Share Depth' Section	1	
109				
110	46285/10	'Axle Steer' Section	1	
111	46285/4	Inlet Section	1	
112	57085/5	'Cross Conveyor Motors' Section	1	
113	57085/2	End Plate	1	
	57612	Load Sensing Valve Kit Consists Of:		
114	44208	M14 Dowty Seal	3	
115	41484	1/4"BSP M F Swivel Adaptor	1	
116	44207	M14x1/4"BSP M M Adaptor	3	
117	12378	1/4"BSP MF Swept 90°Adaptor	3	
118				
119	57523	Load Sensing Valve	1	
120	57613	3/4"Fx1/4"Mx3/4"M Tee	1	
121				
122	60458	1/4"Hose Assembly (570mm)	1	

Machines from 2024

Hydraulic Assembly

Assy No 57867A



4.3a

ALL WEB UNIPLUS SPARE PARTS

Machines from 2024

Hydraulic Assembly

Assy No 57867A

Item	Part No.	Description	Qty.	Remarks
1	10128	3/8"BSP MF Swivel Adaptor	4	
2	11108A	3/4"BSP Male Probe	1	
3	10466	3/8"BSP Bulkhead Adaptor	5	
4				
5				
6	11115	3/4"BSP M M Adaptor	4	
7	11123	3/4"BSP Dowty Seal	4	
8	11124	1/2"BSP Dowty Seal	10	
9	11125	3/8"BSP Dowty Seal	18	
10				
11				
12	11336	1/4"BSP x3/8"BSP M M Adaptor	1	
13				
14				
15	12315	1/2"BSP M M Adaptor	1	
16	12316	1/4"BSP M M Adaptor	1	
17	12321	1/2"BSP Bulkhead Adaptor	2	
18				
19				
20	23139	3/8"BSP M M M Tee	1	
21				
22	27388	1/2"BSPx15L Male Stud Coupling	3	
23	27459	M18x1/2"BSP M M Adaptor	2	
24	27461	M18 Dowty Seal	7	
25	27904	M22x3/4"BSP M M Adaptor	2	
26				
27				
28	31167	M22 Dowty Seal	3	
29				
30	37104	M16 Dowty Seal	2	
31	37599	M18x3/8"BSP M M Adaptor	7	
32				
33	41401	Pipe Clamp (15-15)	5	
34	60090	1/2"Hose Assembly (2900mm)	1	
35	42343	3/8"BSP MF Compact 90° Adaptor	5	
36	44207	M14x1/4"BSP M M Adaptor	1	
37	44208	M14 Dowty Seal	1	
38				
39	46859	Pressure Filter Assembly	1	Element only 37770/1
40	46939	3/8"BSP F M M Tee	1	
41				
42				
43	52249	3/8"Hose Assembly (450mm)	1	
44				
45	57084A	Valve Cover Plate	1	Cover with roller lug 57084
46	61266	Valve Bank Assembly	1	(see list at end)
47				
48	57208	Valve Mounting Plate	1	
49	57224	Pipe Clamp (22-22)	1 pair	
50	57225	Pipe Clamp Plate	1	
51	57612	Load Sensing Valve Kit	1	Optional
52				
53	60248	3/8"Hose Assembly (2460mm)	1	
54	60267	3/4"Hose Assembly (6070mm)	1	Long front beam
	60267A	3/4"Hose Assembly (5570mm)	1	Short front beam

ALL WEB UNIPLUS SPARE PARTS

4.3b

Machines from 2024

Hydraulic Assembly

Assy No 57867A

Item	Part No.	Description	Qty.	Remarks
55	60268	3/4"Hose Assembly (3200mm)	1	
56	60269	3/4"Hose Assembly (9300mm)	1	Long front beam
	60269A	3/4"Hose Assembly (8800mm)	1	Short front beam
57	60850	1/2"Hose Assembly (2810mm)	2	
58	60851	1/2"Hose Assembly (580mm)	1	
59	60852	1/2"Hose Assembly (630mm)	1	
60	60276	3/8"Hose Assembly (3560mm)	1	
61	60277	3/8"Hose Assembly (1760mm)	1	
62	71016	3/8"Hose Assembly (850mm)	1	
63	60279	3/8"Hose Assembly (760mm)	1	
64	60280	3/8"Hose Assembly (510mm)	1	
65	60281	3/8"Hose Assembly (560mm)	1	
66	60282	3/8"Hose Assembly (3660mm)	2	
67	60624	3/8"Hose Assembly (7085mm)	2	
68	60842	Ø15 Steel Pipe Assembly (top)	1	
69	60843	Ø15 Steel Pipe Assembly (bottom)	1	
70	60166	3/8"BSP Male Probe	1	
71	60846	3/8"Hose Assembly (2550mm)	1	
72	60476	1/2"Hose Assembly (2800mm)	1	
73	60844	Ø15 Steel Pipe Assembly	1	
74	60845	Ø15 Steel Pipe Assembly	1	
75	60848	3/8"Hose Assembly (1255mm)	1	
76	60849	3/8"Hose Assembly (755mm)	1	
77	60326	M22 Mx3/8"BSP FM Swivel Adaptor	1	
78	60456	1/4"Hose Assembly (6700mm)	1	Long front beam
	60456A	1/4"Hose Assembly (6200mm)	1	Short front beam
79	60457	1/4"Hose Assembly (3300mm)	1	
80	60275	3/8"Hose Assembly (510mm)	2	
81				
82				
83				
84	61600	3/4"BSP Fem Quick Release Coupling	1	
85				
86	KA17102	3/8"BSP Adjustable Restrictor Valve	4	
87				
88	RPC654.308051	Pipe Clamp (18-18)	3 pair	
89	RPC654.308052	Pipe Clamp Plate	8	
90				
91				
92				
93	DWS1134/1	3/8"BSP Over-centre Valve	1	
94				
95	RPH700.170616	M16x3/8"BSP M M Adaptor	2	
96				
97	68123B	Hose Tray	1	1500 & 1600mm
	68123A	Hose Tray	1	1700mm
98				
99				
100				
101				
102	UC25	1/2"BSPx3/8"BSP M M Adaptor	4	
103	UC31A	3/8"BSP M M Adaptor	12	

4.3c

ALL WEB UNIPLUS SPARE PARTS

Machines from 2024

Hydraulic Assembly

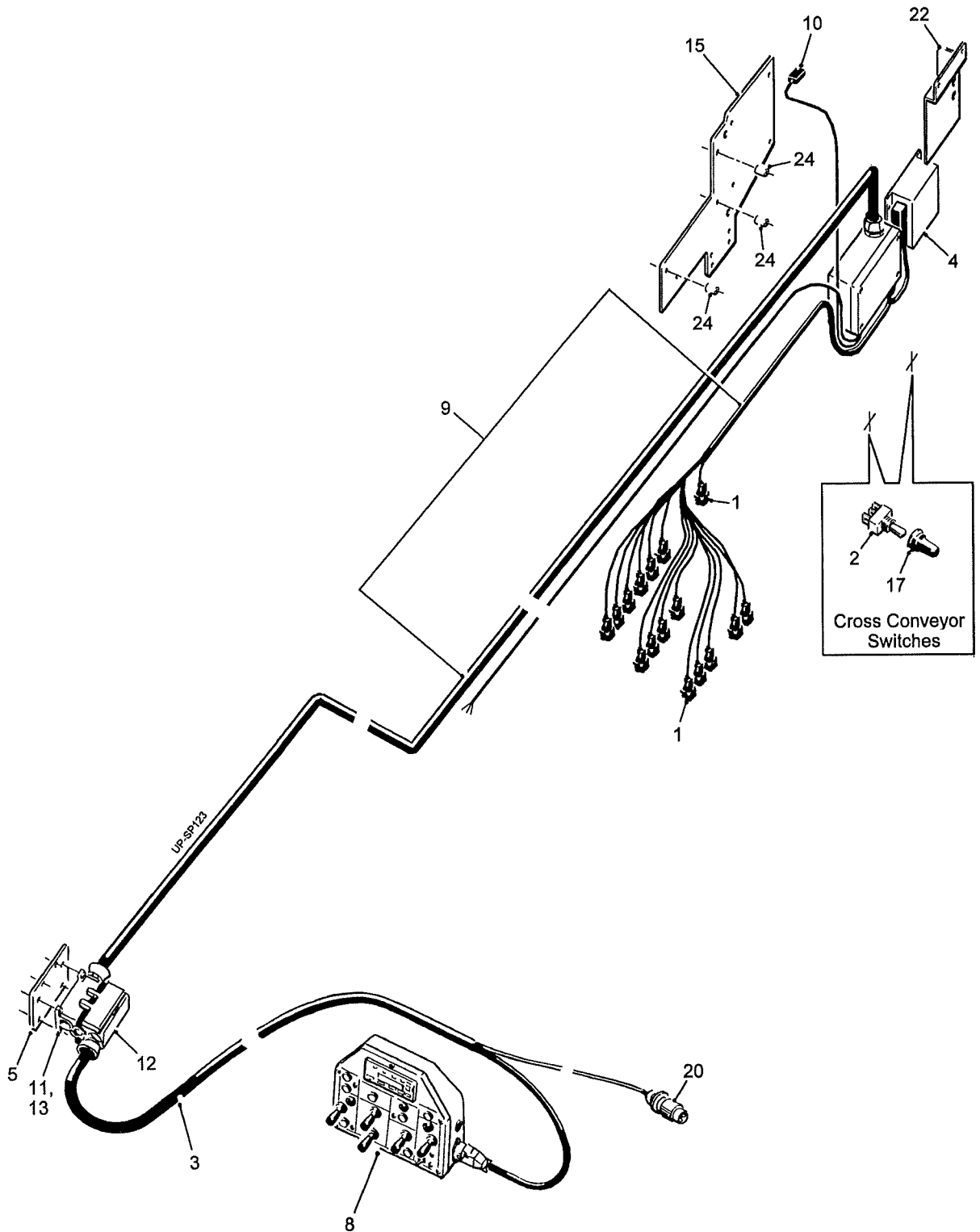
Assy No 57867A

Item	Part No.	Description	Qty.	Remarks
	61266	Valve Bank Assembly Consists Of:		
104	57085/2	End Plate	1	
105	57085/6	'RH Axle Level' Section	1	
106	57085/6	'LH Axle Level' Section	1	
107	58051/1	'Axle Steer' Section	1	
108	57085/7	'Share Depth' Section	1	
109				
110	46285/10	'Conveyor Side Shift' Section	1	
111	46285/4	Inlet Section	1	
112	57085/5	'Cross Conveyor Motors' Section	1	
113	57085/2	End Plate	1	
	57612	Load Sensing Valve Kit Consists Of:		
114	44208	M14 Dowty Seal	3	
115	46724	1/4"BSP M F Swivel Adaptor	1	
116	44207	M14x1/4"BSP M M Adaptor	3	
117	32474	1/4"BSP MF Compact 90° Adaptor	2	
118				
119	57523	Load Sensing Valve	1	
120	57613	3/4"Fx1/4"Mx3/4"M Tee	1	
121				
122	60458	1/4"Hose Assembly (570mm)	1	

Machines from 2019

Electrical Assembly

Assy No 57097



4.4a**ALL WEB UNIPLUS SPARE PARTS**

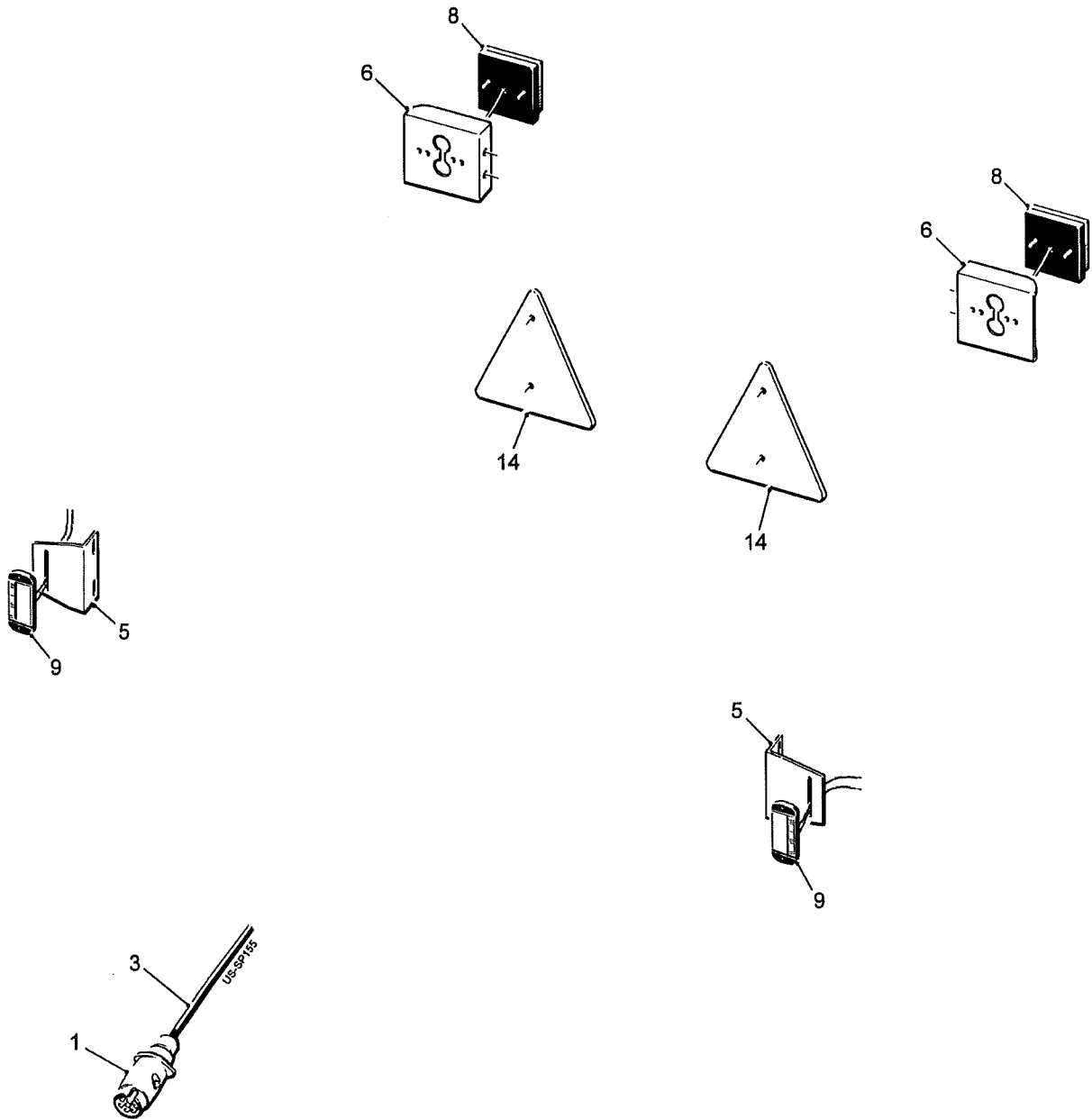
Machines from 2019

Electrical Assembly**Assy No 57097**

Item	Part No.	Description	Qty.	Remarks
1	59402	2-Way Terminal Plug	a/r	
2	27468	3-Way Spring Back Switch	2	
3	-	Control Box Loom Complete	1	
4	-	Processor Module	1	
5	51257	Plug Mounting Plate	1	
6				
7				
8	57239	Control Box Assembly	1	
9	57240	Machine & Valve Loom c/w Plugs	1	
10	57325	Steering Sensor Cable c/w Plug	1	
11	-	Housing Only	1	
12	-	Housing Only	1	
13	-	Insert Only	1	
14				
15	57753B	Module Mounting Plate	1	
16				
17	61034	Switch Boot	2	
18				
19				
20	RPGMB94.01478	3-Pin 'D' Plug	1	
21				
22	68149	Processor Module Guard	1	
23				
24	SS012006/020	Steel Spacer	3	

Machines from 2019

Road Lights
Assy No 57241



4.5a**ALL WEB UNIPLUS SPARE PARTS**

Machines from 2019

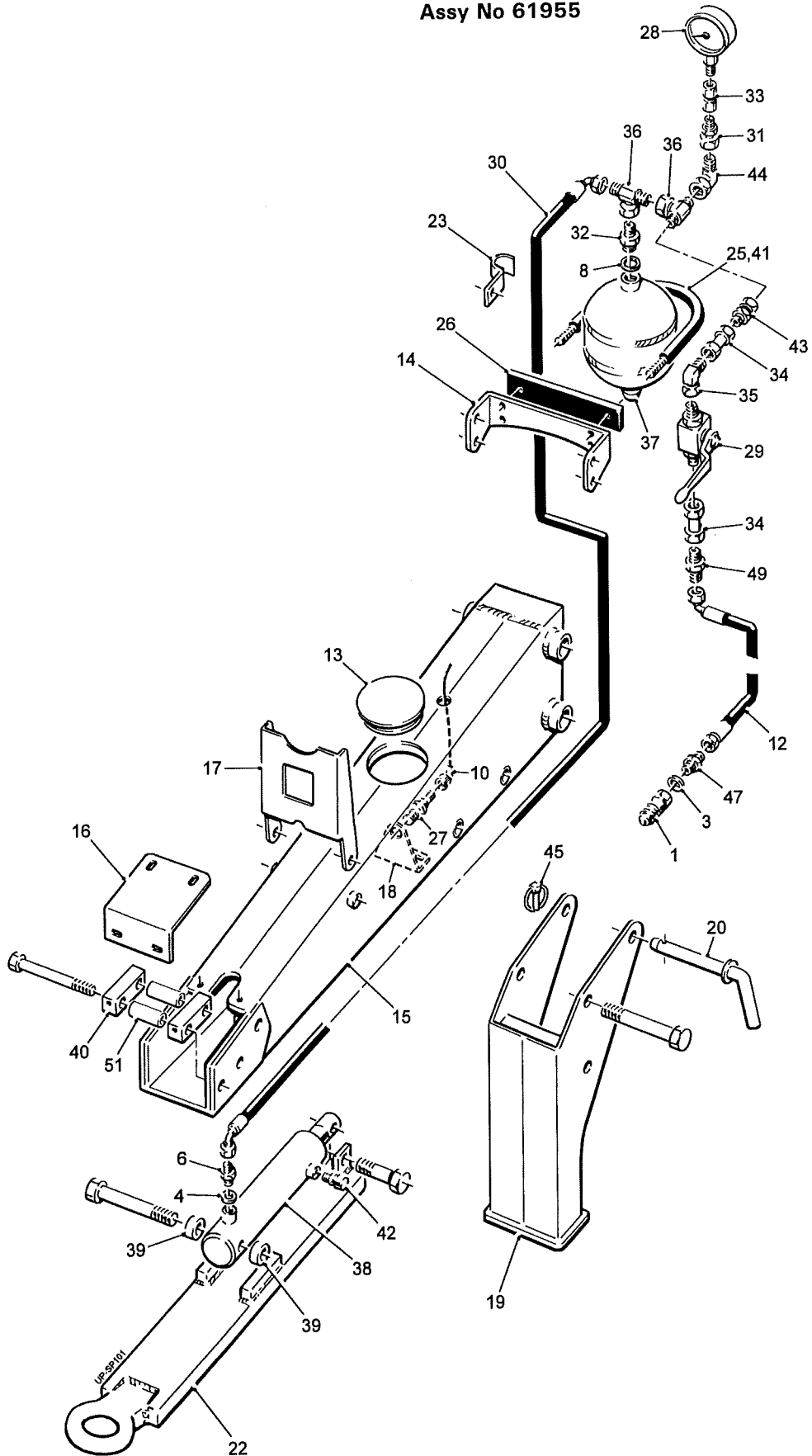
Road Lights

Assy No 57241

Item	Part No.	Description	Qty.	Remarks
1	10134	7 Pin Plug	1	
2				
3	11369	7 Core Cable	10.5m	
4				
5	57222A	Light Bracket Front	2	
6	57257A	Light Bracket Rear	2	Used with boulder box only
7				
8	62217A	LED Rear Light	2	
9	62470	LED Front Light	2	
10				
11				
12				
13				
14	RPE272.307748	Red Triangle Reflector	2	

Machines from 2019

Hydraulically Damped Drawbar
Assy No 61955



5.1a

ALL WEB UNIPLUS SPARE PARTS

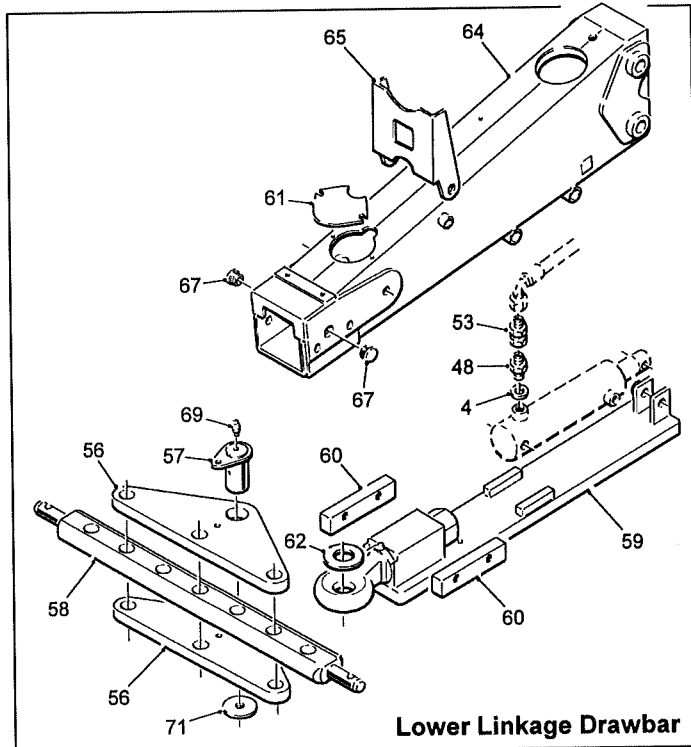
Machines from 2019

Hydraulically Damped Drawbar

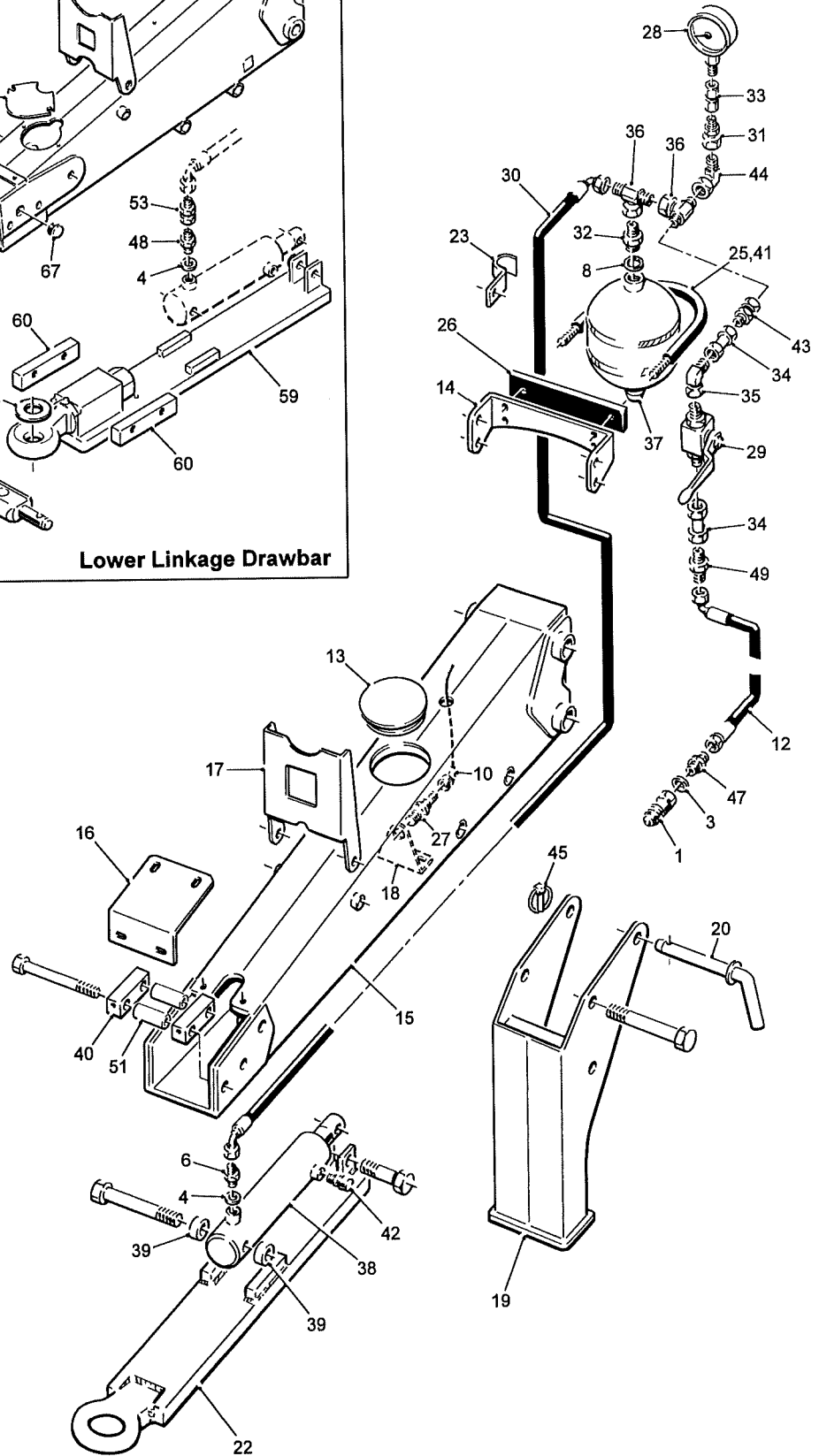
Assy No 61955

Item	Part No.	Description	Qty.	Remarks
1	10140	1/2"BSP Male Probe	1	
2				
3	11124	1/2"BSP Dowty Seal	1	
4	11125	3/8"BSP Dowty Seal	1	
5				
6	27391	3/8"BSPxØ15 Pipe M Stud Coupling	1	
7				
8	11123	3/4"BSP Dowty Seal	1	Was 31167
9				
10	32037/4	90°Sensor Cable (10m)	1	
11				
12	52312	3/8"Hose Assembly (3000mm)	1	
13	61900	Blanking Plug	1	
14	57365	Accumulator Bracket	1	
15	61891	Drawbar	1	
16	57367	Cover Plate	1	
17	61871A	PTO Support	1	
18	61892	Sensor Mounting	1	
19	61893	Stand	1	
20	57183	Stand Pin	1	
21				
22	RPA610.301557	Sliding Drawbar Section	1	
23	RPC626.311691	Hose Clamp	2	
24	RPC632.308429	'Pressurised System' Decal	1	(not shown)
25	RPC700.301645	Plastic Cover	1	
26	RPC730.301681	Rubber	1	
27	RPE282.303483X/1	Proximity Sensor	1	
28	RPGMB92.03258	Pressure Gauge	1	
29	RPGMB92.04031	Safety Lock Valve	1	
30	RPH405.301659	1/2"Hose Assembly (2080mm)	1	
31	RPH510.115082	Ø15xØ8 Straight Reducer Coupling	1	
32	60963	3/4"BSPxØ15 Male Stud Coupling	1	Was RPH512.122152
33	RPH516.204082	Pressure Gauge Coupling	1	
34	RPH522.100122	12L Straight Double Standpipe	2	
35	RPH532.100122	12L Adjustable Elbow	1	
36	RPH542.100152	15L M M F Tee	2	
37	RPH802.301657	3/4"BSP Accumulator (50 bar)	1	Accumulator was M22
38	RPH872.301552	Hydraulic Ram	1	
39	RPM176.301696	Spacer	2	
40	61897	Block	2	
41	RPM254.301644	Strap	1	
42	RPP500.202000	1/8"BSP Muffler	1	
43	RPH510.115122	12L Mx15L FM Reducer	1	
44	RPH532.100152	15L Adjustable Elbow	1	
45	REK215	Linchpin	1	
46				
47	UC25	1/2"BSPx3/8"BSP M M Adaptor	1	
48				
49	W0847	12Lx3/8"BSP M M Adaptor	1	
50				
51	SS030017/072	Steel Spacer	2	

Hydraulically Damped Drawbar



UP-SP121



5.1a

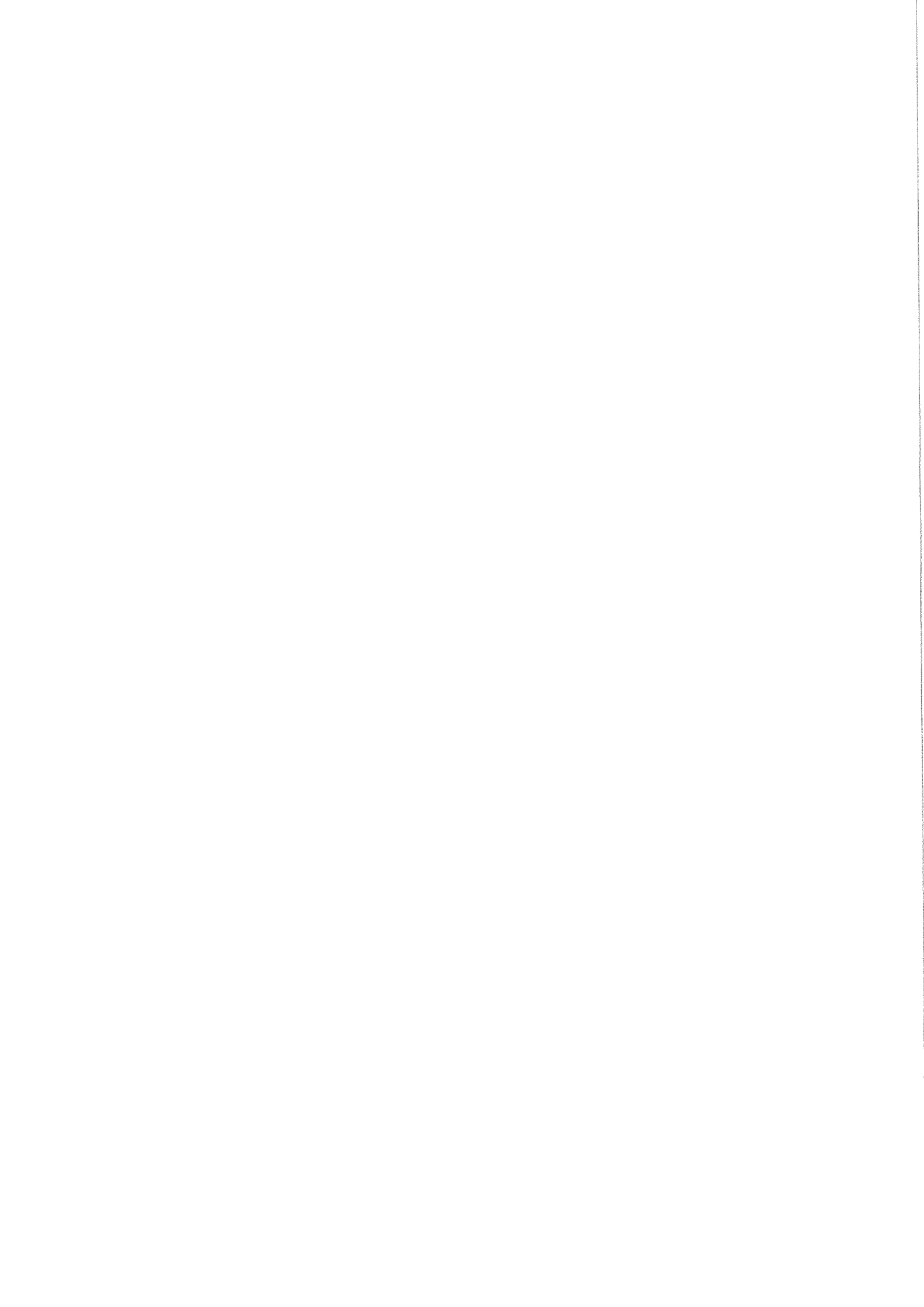
ALL WEB UNIPLUS SPARE PARTS

Hydraulically Damped Drawbar

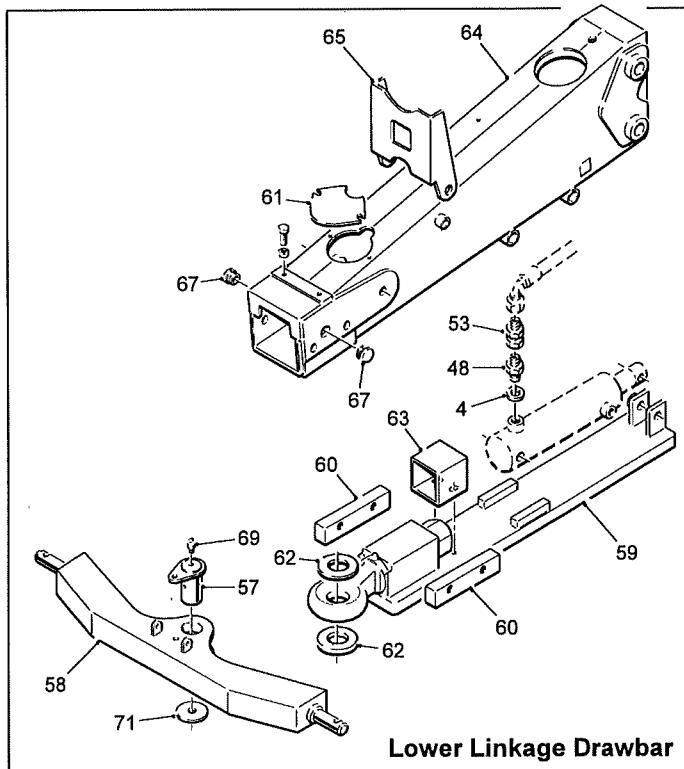
Item	Part No.	Description	Qty.	Remarks
1	10140	1/2"BSP Male Probe	1	
2				
3	11124	1/2"BSP Dowty Seal	1	
4	11125	3/8"BSP Dowty Seal	1	
5				
6	27391	3/8"BSPxØ15 Pipe M Stud Coupling	1	
7				
8	11123	3/4"BSP Dowty Seal	1	
9				
10	32037/4	90°Sensor Cable (10m)	1	
11				
12	52312	3/8"Hose Assembly (3000mm)	1	
13	61900	Blanking Plug	1	
14	57365	Accumulator Bracket	1	
15	61891	Drawbar	1	
16	57367	Cover Plate	1	
17	61871A	PTO Support	1	
18	61892	Sensor Mounting	1	
19	61893	Stand	1	
20	57183	Stand Pin	1	
21				
22	RPA610.301557	Sliding Section	1	
23	RPC626.311691	Hose Clamp	2	
24	RPC632.308429	'Pressurised System' Decal	1	(not shown)
25	RPC700.301645	Plastic Cover	1	
26	RPC730.301681	Rubber	1	
27	RPE282.303483X/1	Proximity Sensor	1	
28	RPGMB92.03258	Pressure Gauge	1	
29	RPGMB92.04031	Safety Lock Valve	1	
30	RPH405.301659	1/2"Hose Assembly (2080mm)	1	
31	RPH510.115082	Ø15xØ8 Straight Reducer Coupling	1	
32	60963	3/4"BSPxØ15 Male Stud Coupling	1	
33	RPH516.204082	Pressure Gauge Coupling	1	
34	RPH522.100122	12L Straight Double Standpipe	2	
35	RPH532.100122	12L Adjustable Elbow	1	
36	RPH542.100152	15L M M F Tee	2	
37	RPH802.301657	3/4"BSP Accumulator (50 bar)	1	
38	RPH872.301552	Hydraulic Ram	1	
39	RPM176.301696	Spacer	2	
40	61897	Block	2	
41	RPM254.301644	Strap	1	
42	RPP500.202000	1/8"BSP Muffler	1	
43	RPH510.115122	12L Mx15L FM Reducer	1	
44	RPH532.100152	15L Adjustable Elbow	1	
45	REK215	Linchpin	1	
46				
47	UC25	1/2"BSPx3/8"BSP M M Adaptor	1	
48	UC31A	3/8"BSP M M Adaptor	1	
49	W0847	12Lx3/8"BSP M M Adaptor	1	
50				
51	SS030017/072	Steel Spacer	2	
52				
53	KA17325	3/8"BSPFx1/2"BSPM Swivel Adaptor	1	
54				
55				

Hydraulically Damped Drawbar

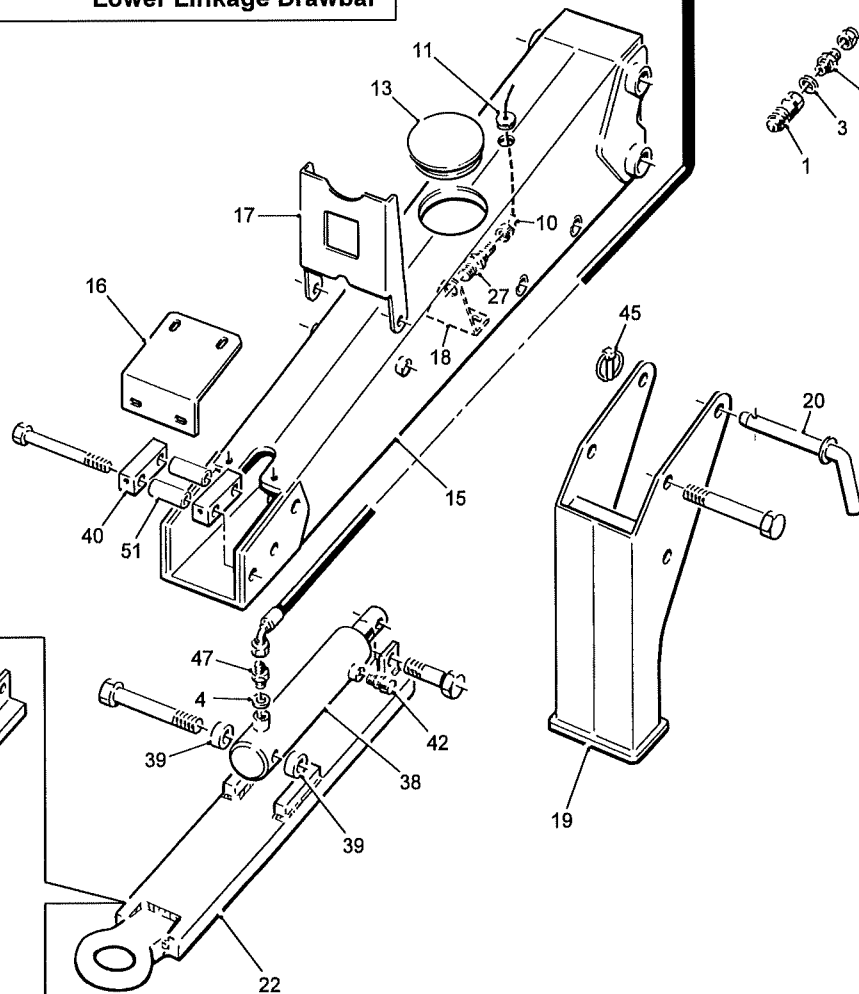
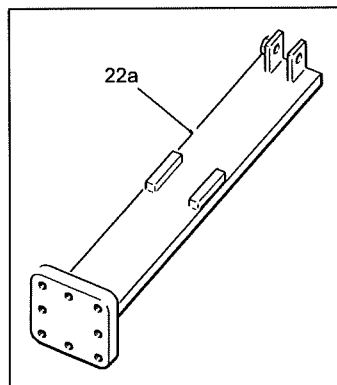
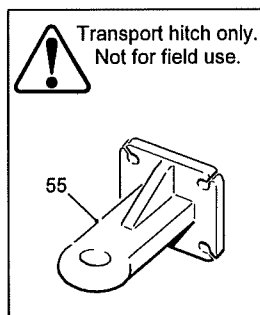
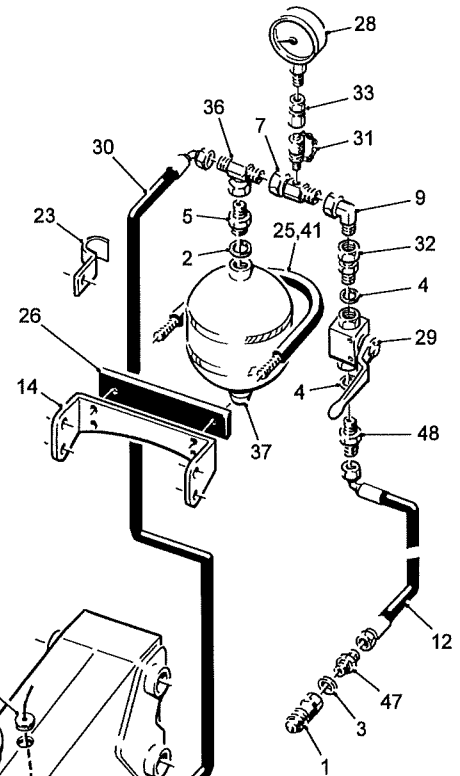
Item	Part No.	Description	Qty.	Remarks
56	58293	Lower Link Plate	2	
57	58294	Pivot Pin	1	
58	58295	CAT2 Lower Link Drawbar	1	
	RFRE0517	CAT3 Lower Link Drawbar	1	
59	58297	Sliding Section	1	
60	58298	Stop Plate	2	
61	58300	Cover	1	
62	56121	Thrust Washer	1	
63				
64	68179	Drawbar	1	
65	68181	PTO Support	1	
66				
67	37391	Plastic Insert	2	
68				
69	RPC648.081250	M8 Grease Nipple Straight	1	
70				
71	SS070017/005	Steel Spacer	1	



Hydraulically Damped Drawbar



UP-SP125



5.1a

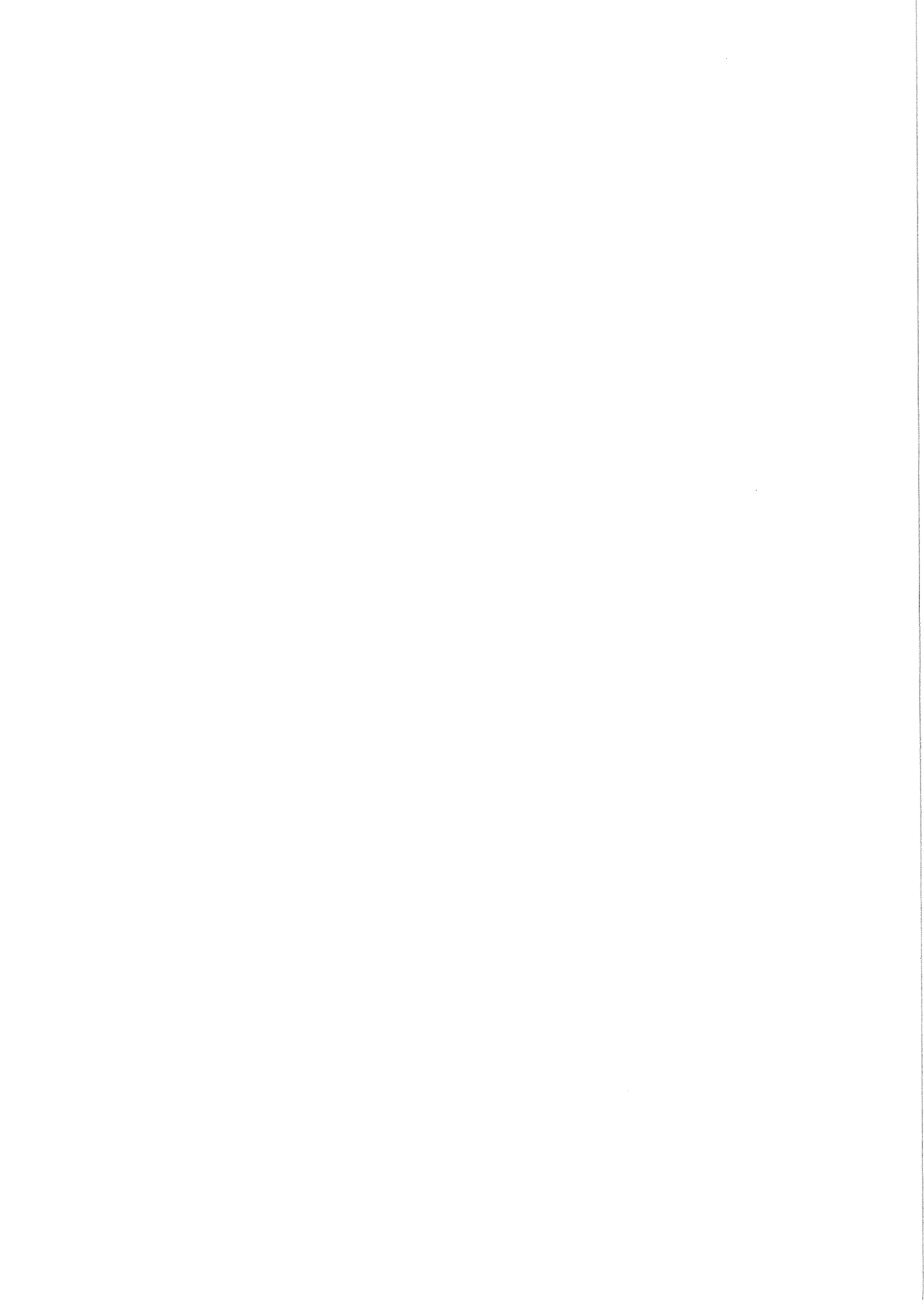
ALL WEB UNIPLUS SPARE PARTS

Hydraulically Damped Drawbar

Item	Part No.	Description	Qty.	Remarks
1	10140	1/2"BSP Male Probe	1	
2	11123	3/4"BSP Dowty Seal	1	
3	11124	1/2"BSP Dowty Seal	1	
4	11125	3/8"BSP Dowty Seal	3	
5	11295	1/2"BSPx3/4"BSP M M Adaptor	1	
6				
7	60161A	1/2"BSP M F Gauge Port	1	
8				
9	32475	1/2"BSP Compact 90°Adaptor	1	
10	32037/4	90°Sensor Cable (10m)	1	
11	61901	Ø20 Grommet	1	
12	52312	3/8"Hose Assembly (3000mm)	1	
13	61900	Blanking Plug	1	
14	57365	Accumulator Bracket	1	
15	61891	Drawbar	1	
16	57367	Cover Plate	1	
17	61871A	PTO Support	1	
18	61892	Sensor Mounting	1	
19	61893	Stand	1	
20	57183	Stand Pin	1	
21				
22	RPA610.301557	Sliding Section	1	
22a	68116	Sliding Section	1	
23	RPC626.311691	Hose Clamp	2	
24	RPC632.308429	'Pressurised System' Decal	1	(not shown)
25	RPC700.301645	Plastic Cover	1	
26	RPC730.301681	Rubber	1	
27	RPE282.303483X/1	Proximity Sensor	1	
28	46458	Pressure Gauge	1	
29	DW202046270	3/8"BSP Safety Lock Valve	1	
30	60437	1/2"Hose Assembly (2100mm)	1	
31	42305	1/8"BSP Gauge Port	1	
32	44044	3/8"BSPMx1/2"BSPF Swivel Adaptor	1	
33	46960	Pressure Gauge Adaptor	1	
34				
35				
36	37172	1/2"BSP M M F Tee	1	
37	RPH802.301657	3/4"BSP Accumulator (50 bar)	1	
38	RPH872.301552	Hydraulic Ram	1	
39	RPM176.301696	Spacer	2	
40	61897	Block	2	
41	RPM254.301644	Strap	1	
42	RPP500.202000	1/8"BSP Muffler	1	
43				
44				
45	REK215	Linchpin	1	
46				
47	UC25	1/2"BSPx3/8"BSP M M Adaptor	2	
48	UC31A	3/8"BSP M M Adaptor	1	
49				
50				
51	SS030017/072	Steel Spacer	2	
52				
53	KA17325	3/8"BSPFx1/2"BSPM Swivel Adaptor	1	
54				

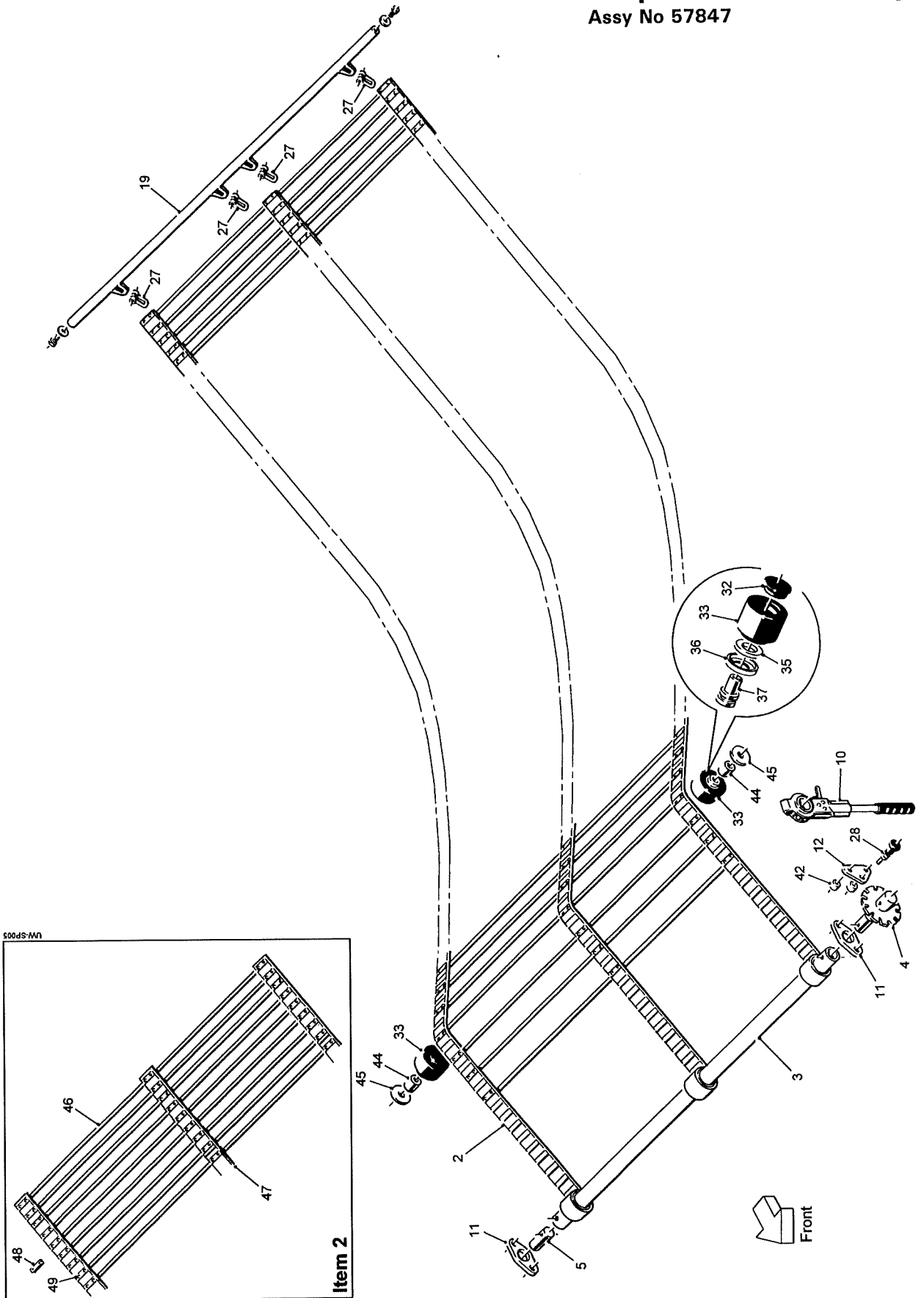
Hydraulically Damped Drawbar

Item	Part No.	Description	Qty.	Remarks
55	68122	Transport Hitch	1	
56				
57	58294	Pivot Pin	1	
58	68203	CAT3 Lower Link Drawbar	1	
59	58297	Sliding Section	1	
60	58298	Stop Plate	2	
61	58300	Cover	1	
62	68204	Thrust Washer	2	
63	58299	Extension Box	1	
64	68179	Drawbar	1	
65	68181	PTO Support	1	
66				
67	37391	Plastic Insert	2	
68				
69	RPC648.081250	M8 Grease Nipple Straight	1	
70				
71	SS070017/005	Steel Spacer	1	



Machines from 2019

Draper Web Assembly
Assy No 57847



5.2a

ALL WEB UNIPLUS SPARE PARTS

Machines from 2019

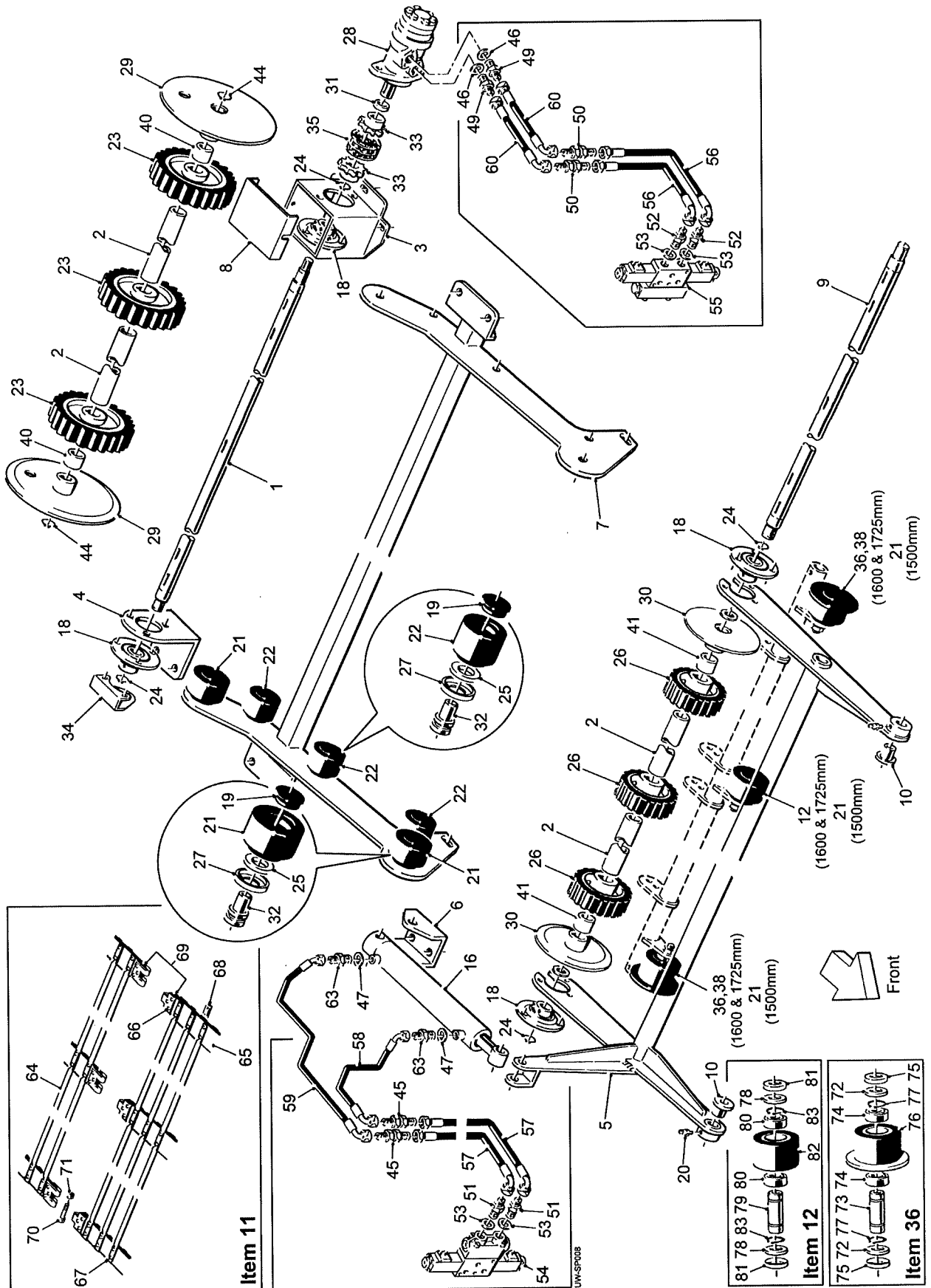
Draper Web Assembly

Assy No 57847

Item	Part No.	Description	Qty.	Remarks
1				
2	57809	Draper Web Assy (1500mm)	1	(see list at end)
3	57813	Front Adjuster Tube	1	1500mm
4	57814	End Spigot	1	
5	57815	End Spigot	1	
6				
7				
8				
9				
10	57820	Ratchet c/w Handle	1	
11	57821	Support Plate	2	
12	57822	Plunger Mount	1	
13				
14				
15				
16				
17				
18				
19	57876	Support Bar	1	1500mm
20				
21				
22				
23				
24				
25				
26				
27	H171	Shackle	4	
28	HERF7012	Indexing Plunger	1	
29				
30				
31				
32	RPC620.303070	Cap	2	
33	RPC700.300147	Ø95 Plain Roller c/w Bearings	2	
34				
35	RPGM070.00446	Felt Seal	2	
36	RPGM089.00565	Roller Shield	2	
37	RPM180.303071	Pivot Bush	2	
38				
39				
40				
41				
42	SS025011/022	Steel Spacer	2	
43				
44	SS040017/045	Steel Spacer	2	
45	SS070017/005	Steel Spacer	2	
	57809	Draper Web Assembly Consists Of:		1500mm
46	57807/1	Web Rod	50	
47	57809/1	Web Belt	3	
48	12238/6	Clamp Plate	150	
49	57058/3	Ø5.5x21 Rivet	300	

Machines from 2019

Vari-Flow Assembly



5.3a

ALL WEB UNIPLUS SPARE PARTS

Machines from 2019

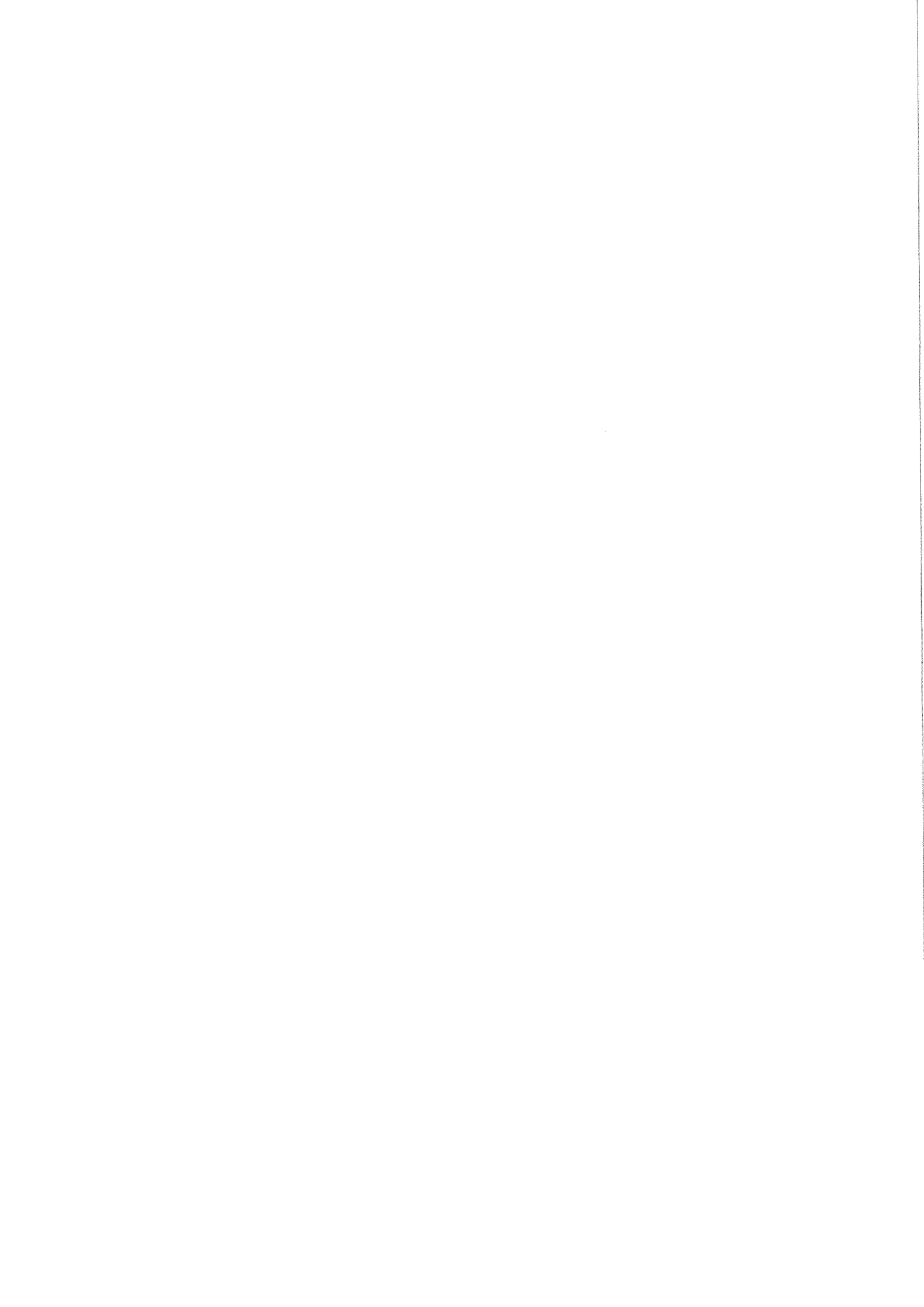
Vari-Flow Assembly

Item	Part No.	Description	Qty.	Remarks
1	57259	Drive Shaft	1	1500 & 1600mm
	57259A	Drive Shaft	1	1700mm
2	57261	Spacer Tube	4	1500 & 1600mm
	57261A	Spacer Tube	4	1700mm
3	57953	Motor Mounting	1	
4	57954	Bearing Mounting	1	
5	57957	Pivot Frame	1	1500 & 1600mm
	57957A	Pivot Frame	1	1700mm
6	57960	Ram Mounting	1	
7	57962	Roller Support	1	1500 & 1600mm
	57962A	Roller Support	1	1700mm
8	57965	Drive Guard	1	
9	57966	Roller Shaft	1	1500 & 1600mm
	57966A	Roller Shaft	1	1700mm
10	57967	Top Hat Bush	2	
11	57972	Web Assembly	1	1500 & 1600mm
	57972A	Web Assembly	1	1700mm
12	47189	Ø90 Roller Assembly	1	1600 & 1700mm
13				
14				
15				
16	61008	Hydraulic Ram	1	
17				
18	RPB210.022062	Bearing	4	
19	RPC620.303070	Cap	10	
20	RPC648.081250	M8 Straight Grease Nipple	2	
21	RPC700.300147	Ø95 Plain Roller c/w Bearings	4	Qty x7 on 1500mm
22	RPC700.300148	Ø75 Plain Roller c/w Bearings	6	
23	RPC700.302947	Drive Roller	3	
24	RPF200.030200	Ø30 External Circlip	4	
25	RPGM070.00446	Felt Seal	10	
26	RPGM076.00704	Ø194 Front Roller	3	
27	RPGM089.00565	Roller Shield	10	
28	RPH850.302181	Hydraulic Motor	1	
29	RPM124.303188	Rear Flange	2	
30	RPM124.303321	Front Flange	2	
31	RPM176.303034	5mm Spacer	1	
32	RPM180.303071	Pivot Bush	10	
33	RPM182.303035	12T 3/4"Pitch Sprocket	2	
34	RPM206.303069	Bearing Shield	1	
35	RPT738.600012	3/4"Pitch Duplex Drive Chain	1	
36	47083	Ø90 Roller Assembly	2	1600 & 1700mm only
37				
38	SS025017/010	Steel Spacer	2	1600 & 1700mm only
39				
40	SS042036/048	Steel Spacer	2	
41	SS042036/053	Steel Spacer	2	
42				
43				
44	W0118	Ø35 External Circlip	2	
		Hydraulic Components Consist Of:		
45	10466	3/8"BSP Bulkhead Adaptor	2	
46	11124	1/2"BSP Dowty Seal	2	
47	11125	3/8"BSP Dowty Seal	2	

Machines from 2019

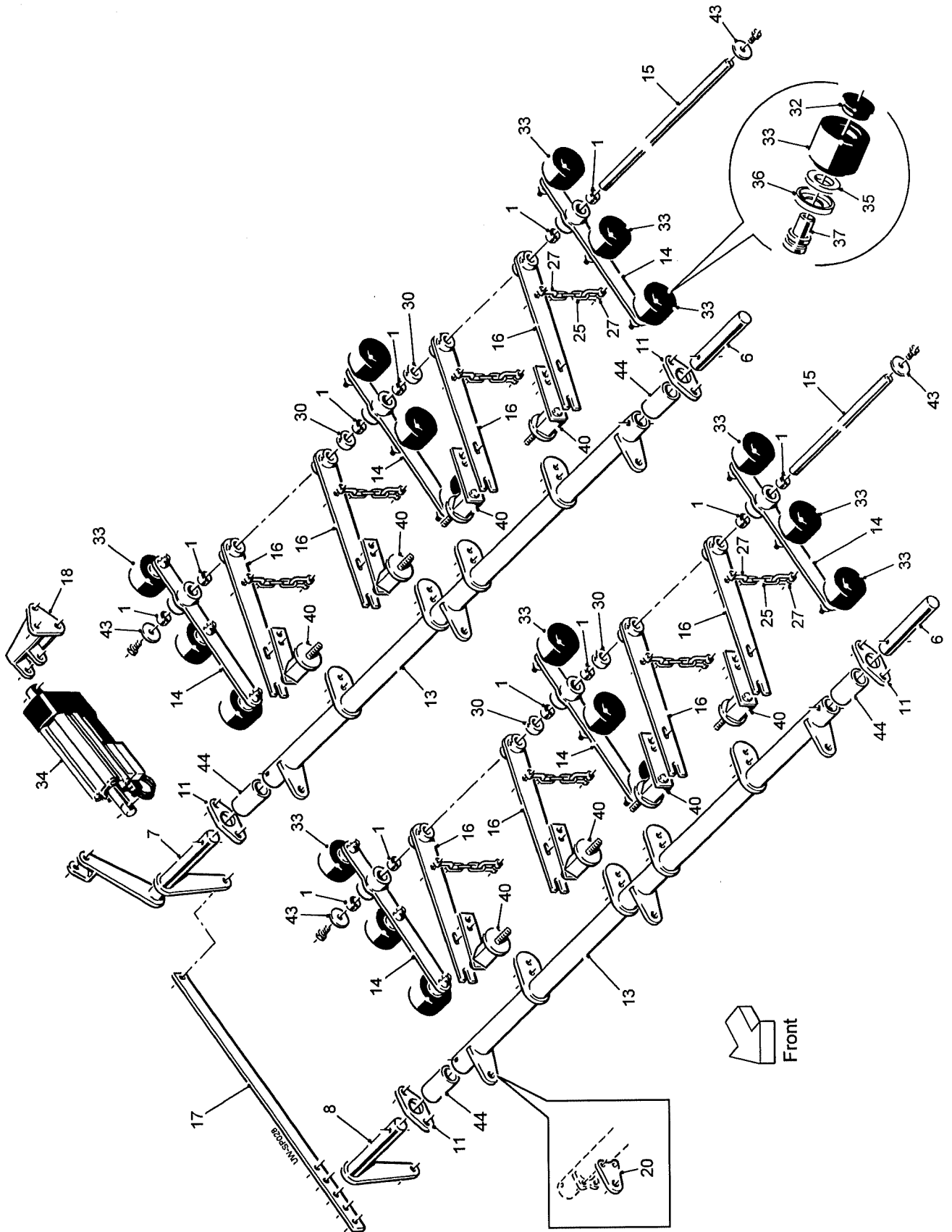
Vari-Flow Assembly

Item	Part No.	Description	Qty.	Remarks
48				
49	12315	1/2" BSP M M Adaptor	2	
50	12321	1/2" BSP Bulkhead Adaptor	2	
51	37599	M18x3/8" BSP M M Adaptor	2	
52	27459	M18x1/2" BSP M M Adaptor	2	
53	27461	M18 Dowty Seal	4	
54	57085/3	Double Acting Valve Section	1	
55	57444	Motor Valve Section	1	
56	60319	1/2" Hose Assembly (1250mm)	2	
57	60443	3/8" Hose Assembly (4150mm)	2	1500 & 1600mm
	60622	3/8" Hose Assembly (4275mm)	2	1700mm
58	60278	3/8" Hose Assembly (660mm)	1	
59	60540	3/8" Hose Assembly (500mm)	1	
60	46620	1/2" Hose Assembly (450mm)	2	
61				
62				
63	UC31A	3/8" BSP M M Adaptor	2	
	57972	Web Assembly Consists Of:		1500 & 1600mm
64	57972/1	Ø15 Web Rod	50	
65	57972/2	Web Belt	3	
66	RPF240.150300	Ø5x30 Rivet	18	
67	RPF240.160250	Ø6x25 Rivet	300	
68	RPGM019.00069	Back Plate	150	
69	RPM419.264032	Connector Plates	3 pair	
70	22016010/080	M10x80 CSK Bolt	3	
71	22041010	M10 Nyloc Nut	3	
	57972A	Web Assembly Consists Of:		1700mm
64	57972A/1	Ø15 Web Rod	50	
65	57972/2	Web Belt	3	
66	RPF240.150300	Ø5x30 Rivet	18	
67	RPF240.160250	Ø6x25 Rivet	300	
68	RPGM019.00069	Back Plate	150	
69	RPM419.264032	Connector Plates	3 pair	
70	22016010/080	M10x80 CSK Bolt	3	
71	22041010	M10 Nyloc Nut	3	
	47083	Flanged Roller Assembly Consists Of:		
72	0000300504	Felt Seal	1	
73	47141	Roller Spindle	1	
74	6005RS	Bearing	2	
75	PH408	Seal	2	
76	PH51AR	Ø90 Flanged Roller	1	
77	PS843	Circlip	2	
	47189	Plain Roller Assembly Consists Of:		
78	0000300504	Felt Seal	2	
79	47141	Roller Spindle	1	
80	6005RS	Bearing	2	
81	PH408	Seal	2	
82	PH77AR	Ø90 Plain Roller	1	
83	PS843	Circlip	2	



Machines from 2019

Web Compression Kit
(for Draper Web & Vari-flow)



5.4a**ALL WEB UNIPLUS SPARE PARTS**

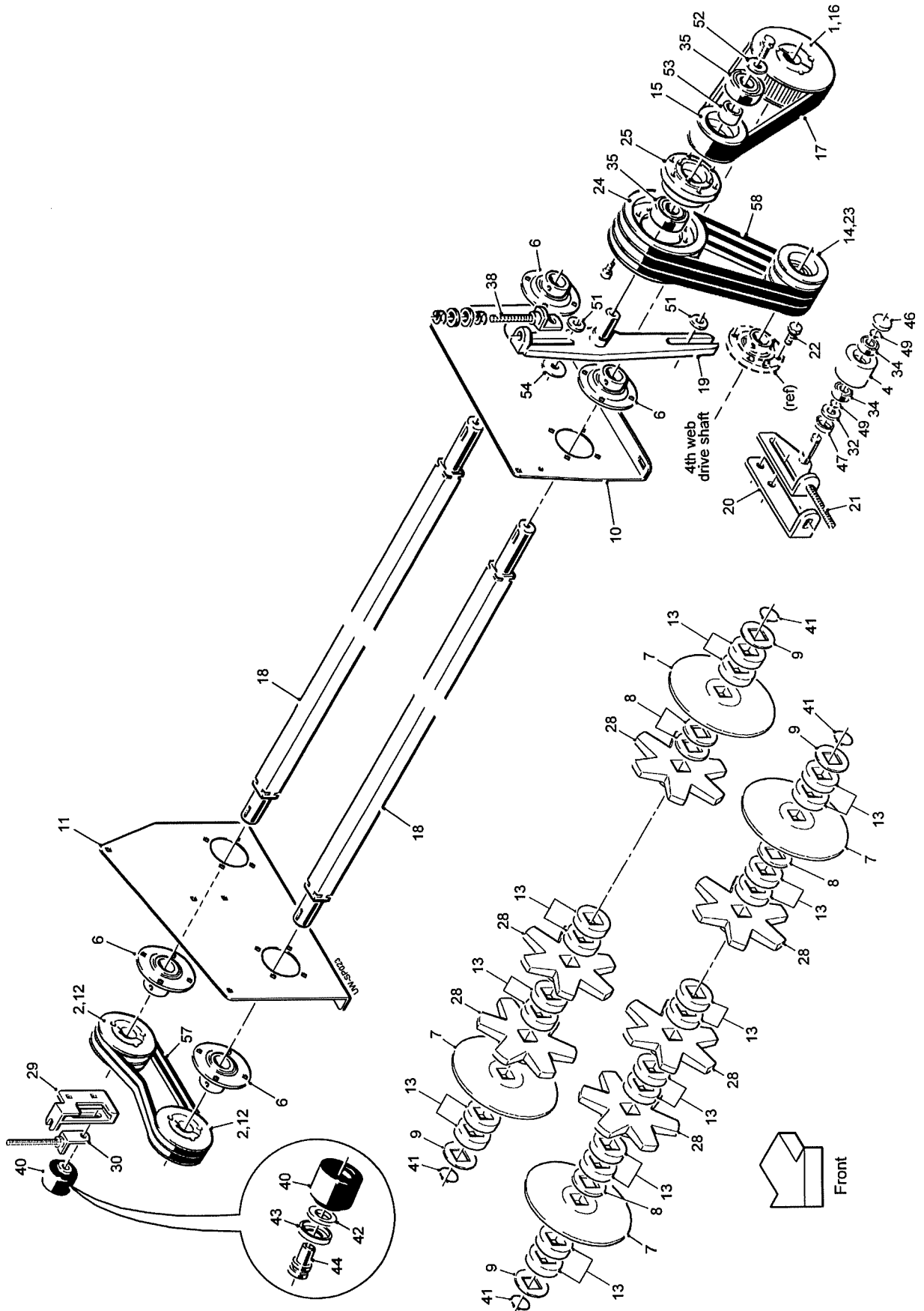
Machines from 2019

Web Compression Kit (for Draper Web & Vari-flow)

Item	Part No.	Description	Qty.	Remarks
1	57129	Plastic Bush	12	
2				
3				
4				
5				
6	57816	End Spigot	4	
7	57817	End Spigot	1	
8	57818	End Spigot	1	
9				
10				
11	57821	Support Plate	4	
12				
13	57823	Rear Adjuster Tube	2	1500mm
	57823A	Rear Adjuster Tube	2	1700mm
14	57824	Roller Arm	6	
15	57825	Pivot Bar	2	1500mm
	57825A	Pivot Bar	2	1700mm
16	57826	Support Arm	8	
17	57827	Link	1	
18	57828	Actuator Mounting	1	
19				
20	61722	Roller Plate	4	1700mm only
21				
22				
23				
24				
25	GS506/3	Chain	8	Used with draper web only
26				
27	H171	Shackle	16	Used with draper web only
28				
29				
30	PS488M	Locking Collar	4	
31				
32	RPC620.303070	Cap	18	
33	RPC700.300147	Ø95 Plain Roller c/w Bearings	18	
34	RPE202.305394	Linear Actuator c/w Limit Switch	1	
35	RPGM070.00446	Felt Seal	18	
36	RPGM089.00565	Roller Shield	18	
37	RPM180.303071	Pivot Bush	18	
38				
39				
40	RPS568X	Tensioner	8	
41				
42				
43	SS060011/003	Steel Spacer	4	
44	SS048041/123	Steel Spacer	4	

Machines from 2019

Boulder Stars Assembly



5.6a

ALL WEB UNIPLUS SPARE PARTS

Machines from 2019

Boulder Stars Assembly

Item	Part No.	Description	Qty.	Remarks
1	33042	Taperlock Bush (3020-45)	1	
2	33162	Taperlock Bush (3012-45)	2	
3				
4	37508	Ø75 Steel Roller	1	
5				
6	57002	Bearing	4	
7	57036	Plastic End Disc	4	
8	57038	5mm Plastic Spacer	4	
9	57039	2.6mm Retaining Washer	4	
10	57150	Bearing Plate LH	1	
11	61949	Bearing Plate RH	1	
12	57255	Ø160 Pulley	2	
13	57324	25mm Plastic Spacer	-	1500 & 1600mm
	57324	25mm Plastic Spacer	76	1700mm
14	57333	Ø132 Pulley	1	
15	57744A	32T pulley (4 hole)	1	
16	57745	56T Pulley	1	
17	57746	Drive Belt	1	
18	57747	Star Shaft (1500 & 1600mm)	2	
	57747A	Star Shaft (1700mm)	2	
19	57748	Tensioner Slide	1	
20	57754	Adjuster Bracket	1	
21	57755	Roller Tensioner	1	
22	57871	Special Setscrew	4	
23	57937	Taperlock Bush (2012-50)	1	
24	57986	Triple Pulley	1	
25	57987	Pulley Hub	1	
26				
27				
28	61030	6 Finger Star	-	1500 & 1600mm
	61030	6 Finger Star	29	1700mm
29	61362	Tensioner Bracket	1	
30	61370	Adjuster Screw	1	
31				
32	0000300504	Felt Seal	1	
33				
34	6005RS	Bearing	2	
35	63082RS	Bearing	2	
36				
37				
38	RPA610.304444	Adjuster	1	
39				
40	RPC700.300148	Ø75 Plain Roller c/w Bearings	1	
41	RPF200.060300	Ø60 External Circlip	4	
42	RPGM070.00446	Felt Seal	1	
43	RPGM089.00565	Roller Shield	1	
44	RPM180.303071	Pivot Bush	1	
45				
46	PH407	Plasic Cap	1	
47	PH408	Plasic Cap	1	
48				
49	PS843	Ø25 External Circlip	2	

ALL WEB UNIPLUS SPARE PARTS**5.6b**

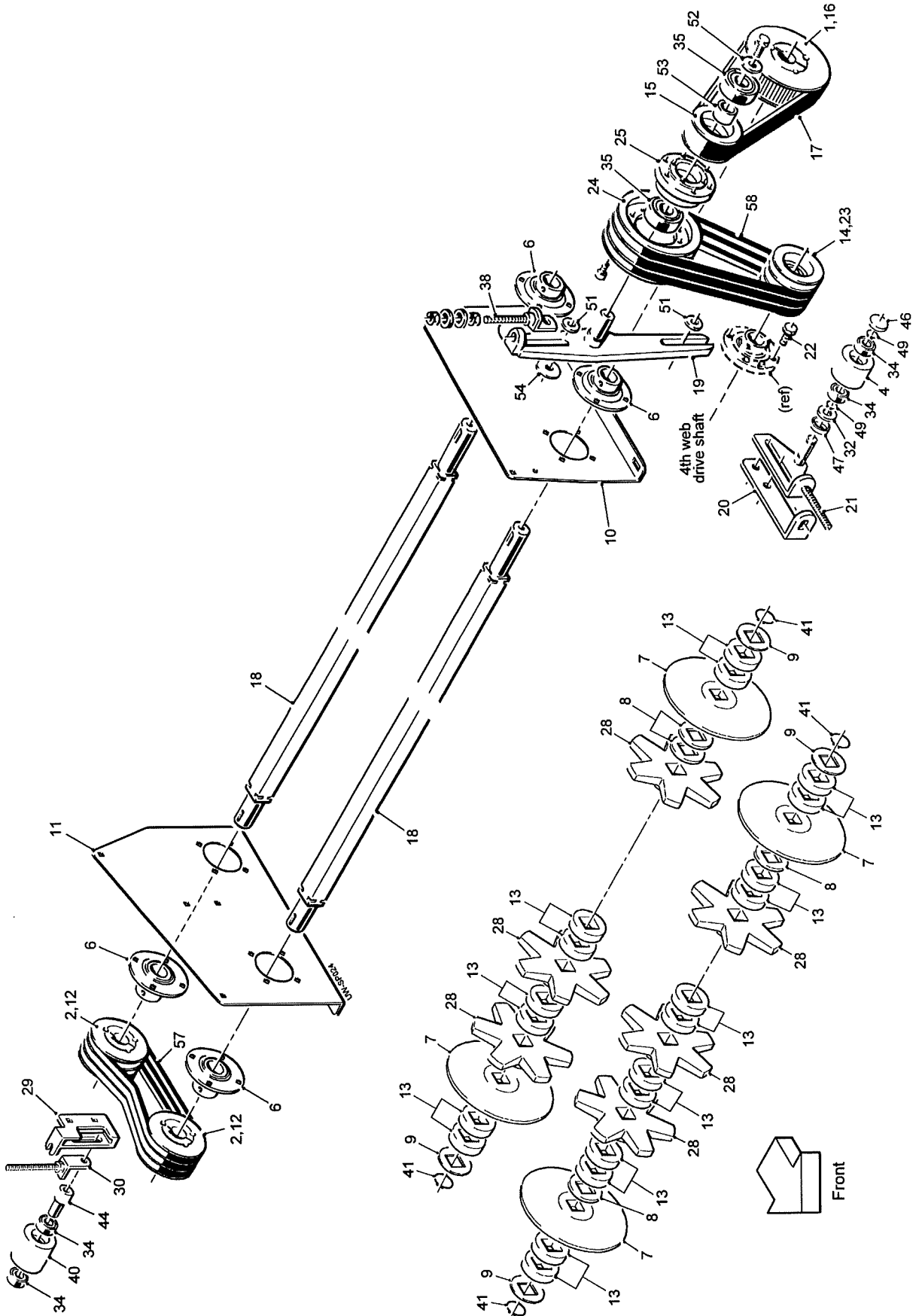
Machines from 2019

Boulder Stars Assembly

Item	Part No.	Description	Qty.	Remarks
50				
51	SS045013/006	Steel Spacer	2	
52	SS045017/006	Steel Spacer	1	
53	SS051041/032	Steel Spacer	1	
54	SS060013/003	Steel Spacer	1	
55				
56				
57	VB91	'V'Belt	2	
58	VB95	'V'Belt	3	



Boulder Stars Assembly



5.6a

ALL WEB UNIPLUS SPARE PARTS

Boulder Stars Assembly

Item	Part No.	Description	Qty.	Remarks
1	33042	Taperlock Bush (3020-45)	1	
2	33154	Taperlock Bush (2517)	2	
3				
4	37508	Ø75 Steel Roller	1	
5				
6	57002	Bearing	4	
7	57036	Plastic End Disc	4	
8	57038	5mm Plastic Spacer	4	
9	57039	2.6mm Retaining Washer	4	
10	57150	Bearing Plate LH	1	
11	61949	Bearing Plate RH	1	
12	61215	Ø160 Triple Pulley	2	
13	57324	25mm Plastic Spacer	-	1500 & 1600mm
	57324	25mm Plastic Spacer	76	1700mm
14	57333	Ø132 Pulley	1	
15	57744A	32T pulley (4 hole)	1	
16	57745	56T Pulley	1	
17	57746	Drive Belt	1	
18	57747	Star Shaft (1500 & 1600mm)	2	
	57747A	Star Shaft (1700mm)	2	
19	57748	Tensioner Slide	1	
20	57754	Adjuster Bracket	1	
21	57755	Roller Tensioner	1	
22	57871	Special Setscrew	4	
23	57937	Taperlock Bush (2012-50)	1	
24	57986	Triple Pulley	1	
25	57987	Pulley Hub	1	
26				
27				
28	61030	6 Finger Star	-	1500 & 1600mm
	61030	6 Finger Star	29	1700mm
29	61362	Tensioner Bracket	1	
30	61370	Adjuster Screw	1	
31				
32	0000300504	Felt Seal	1	
33				
34	60052RS	Bearing	4	
35	63082RS	Bearing	2	
36				
37				
38	RPA610.304444	Adjuster	1	
39				
40	37508A	Ø75 Plain Roller (triple belt)	1	
41	RPF200.060300	Ø60 External Circlip	4	
42		Felt Seal	1	
43		Roller Shield	1	
44	68067	Roller Spindle	1	
45				
46	PH407	Plasic Cap	1	
47	PH408	Plasic Cap	1	
48				
49	PS843	Ø25 External Circlip	2	

Boulder Stars Assembly

Item	Part No.	Description	Qty.	Remarks
50				
51	SS045013/006	Steel Spacer	2	
52	SS045017/006	Steel Spacer	1	
53	SS051041/032	Steel Spacer	1	
54	SS060013/003	Steel Spacer	1	
55				
56				
57	VB91	'V'Belt	3	
58	VB95	'V'Belt	3	

5.6a

ALL WEB UNIPLUS SPARE PARTS

Machines from 2020

Boulder Stars Assembly

Item	Part No.	Description	Qty.	Remarks
1	33042	Taperlock Bush (3020-45)	1	
2	33162	Taperlock Bush (2012)	2	
3				
4	37508	Ø75 Steel Roller	1	
5				
6	57002	Bearing	2	
6a	68080	Bearing	2	
7	57036	Plastic End Disc	4	
8	57038	5mm Plastic Spacer	4	
9	57039	2.6mm Retaining Washer	4	
10	68078	Bearing Plate LH	1	
11	68079	Bearing Plate RH	1	
12	58066	28T Pulley	2	
13	57324	25mm Plastic Spacer	-	1500 & 1600mm
	57324	25mm Plastic Spacer	76	1700mm
14	57333	Ø132 Pulley	1	
15	57744A	32T pulley (4 hole)	1	
16	57745	56T Pulley	1	
17	57746	Drive Belt	1	
18	57747	Star Shaft (1500 & 1600mm)	2	
	57747A	Star Shaft (1700mm)	2	
19	57748	Tensioner Slide	1	
20	57754	Adjuster Bracket	1	
21	57755	Roller Tensioner	1	
22	57871	Special Setscrew	4	
23	57937	Taperlock Bush (2012-50)	1	
24	57986	Triple Pulley	1	
25	57987	Pulley Hub	1	
26				
27				
28	61030	6 Finger Star	-	1500 & 1600mm
	61030	6 Finger Star	29	1700mm
29	68081	Tensioner Bracket	1	
30	61370	Adjuster Screw	1	
31				
32	0000300504	Felt Seal	1	
33				
34	60052RS	Bearing	4	
35	63082RS	Bearing	2	
36				
37				
38	RPA610.304444	Adjuster	1	
39				
40	37508A	Ø75 Plain Roller (triple belt)	1	
41	RPF200.060300	Ø60 External Circlip	4	
42				
43	68129	2mm Shim	1	
44	68067	Roller Spindle	1	
45				
46	PH407	Plasic Cap	1	
47	PH408	Plasic Cap	1	
48				
49	PS843	Ø25 External Circlip	2	

ALL WEB UNIPLUS SPARE PARTS

5.6b

Machines from 2020

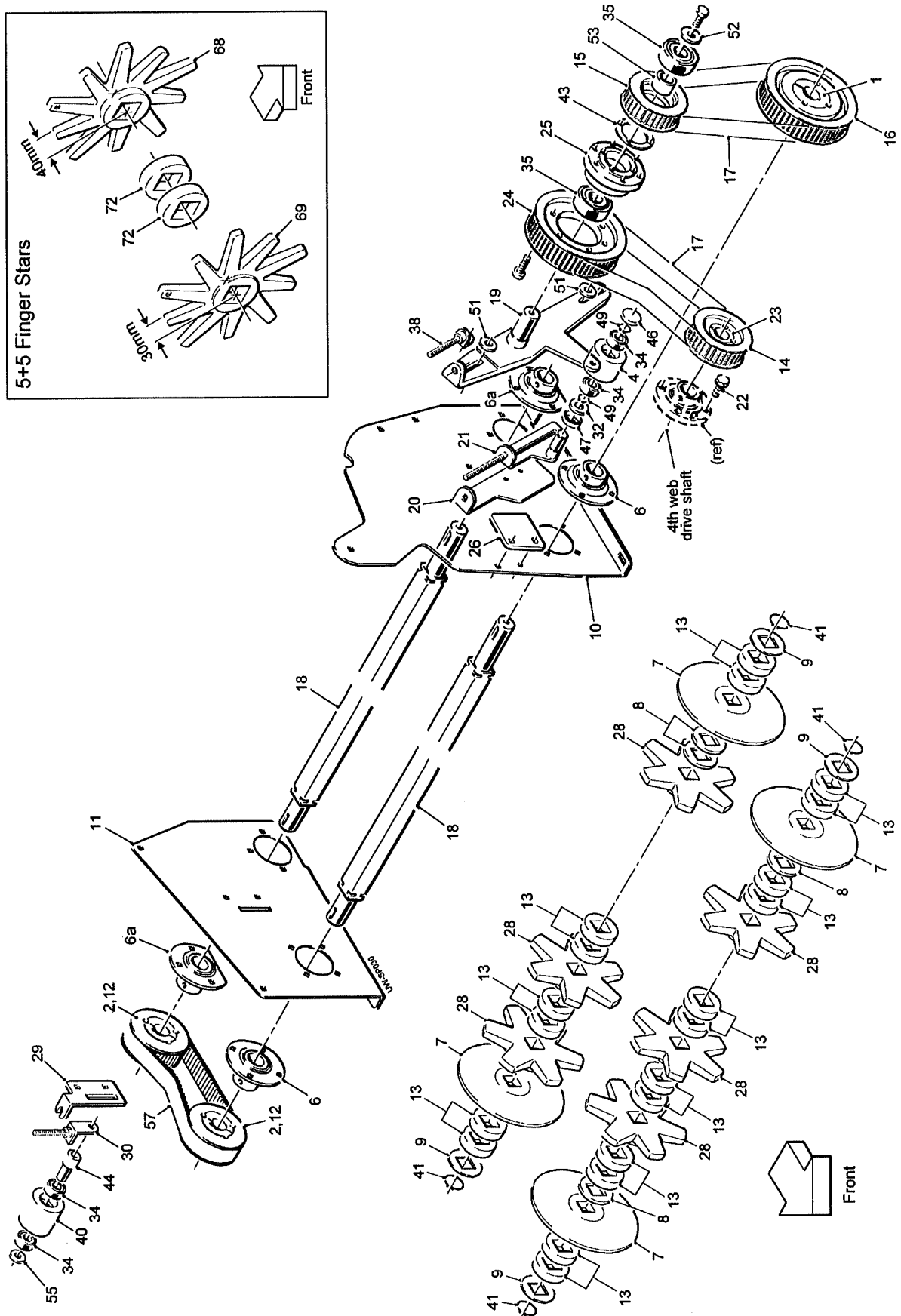
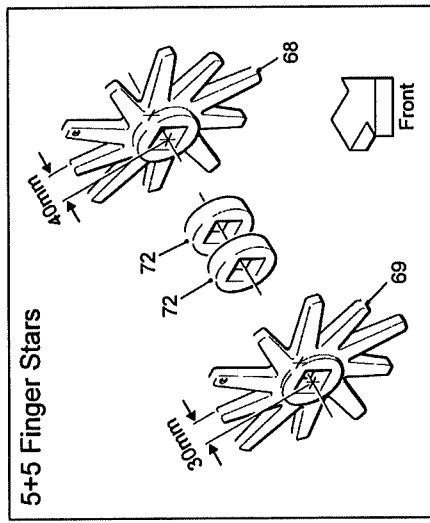
Boulder Stars Assembly

Item	Part No.	Description	Qty.	Remarks
50				
51	SS045013/006	Steel Spacer	2	
52	SS045017/006	Steel Spacer	1	
53	SS051041/032	Steel Spacer	1	
54	SS060013/003	Steel Spacer	1	
55	SS040017/008	Steel Spacer	1	
56				
57	68082	Toothed Belt	1	
58	VB95	'V'Belt	3	
		5 + 5 Finger Stars Consist Of:		Optional
68	57001	5 + 5 Finger Star (40mm wide)	a/r	
69	57203	5 + 5 Finger Star (30mm wide)	1	
70				
71				
72	57324	25mm Plastic Spacer	a/r	



Machines from 2021

Boulder Stars Assembly



5.6a

ALL WEB UNIPLUS SPARE PARTS

Machines from 2021

Boulder Stars Assembly

Item	Part No.	Description	Qty.	Remarks
1	33042	Taperlock Bush (3020-45)	1	
2	33162	Taperlock Bush (2012)	2	
3				
4	37508	Ø75 Steel Roller (64mm)	1	
5				
6	57002	Bearing	2	
6a	68080	Bearing	2	
7	57036	Plastic End Disc	4	
8	57038	5mm Plastic Spacer	4	
9	57039	2.6mm Retaining Washer	4	
10	68209	Bearing Plate LH	1	Was 68078
11	68079	Bearing Plate RH	1	
12	58066	28T Pulley	2	
13	57324	25mm Plastic Spacer	-	1500 & 1600mm
	57324	25mm Plastic Spacer	76	1700mm
14	57497	32T Pulley	1	
15	57744A	32T pulley (4 hole)	1	
16	57745	56T Pulley	1	
17	57746	Toothed Belt	2	
18	57747	Star Shaft (1500 & 1600mm)	2	
	57747A	Star Shaft (1700mm)	2	
19	57748A	Tensioner Slide	1	Was 57748
20	57754A	Adjuster Bracket	1	
21	57755A	Roller Tensioner	1	
22	57871	Special Setscrew	4	
23	57937	Taperlock Bush (2012-50)	1	
24	68176	56T Pulley	1	
25	57987	Pulley Hub	1	
26	68210	Jacking Plate		
27				
28	61030	6 Finger Star	-	1500 & 1600mm
	61030	6 Finger Star	29	1700mm
29	68081	Tensioner Bracket	1	
30	58113	Adjuster Screw	1	Supersedes 61370
31				
32	0000300504	Felt Seal	1	
33				
34	60052RS	Bearing	4	
35	63082RS	Bearing	2	
36				
37				
38	RPA610.304444	Adjuster	1	
39				
40	37508A	Ø75 Plain Roller (83mm)	1	
41	RPF200.060300	Ø60 External Circlip	4	
42				
43	68129	2mm Shim	1	
44	68067	Roller Spindle	1	
45				
46	PH407	Plasic Cap	1	
47	PH408	Plasic Cap	1	
48				
49	PS843	Ø25 External Circlip	2	

ALL WEB UNIPLUS SPARE PARTS

5.6b

Machines from 2021

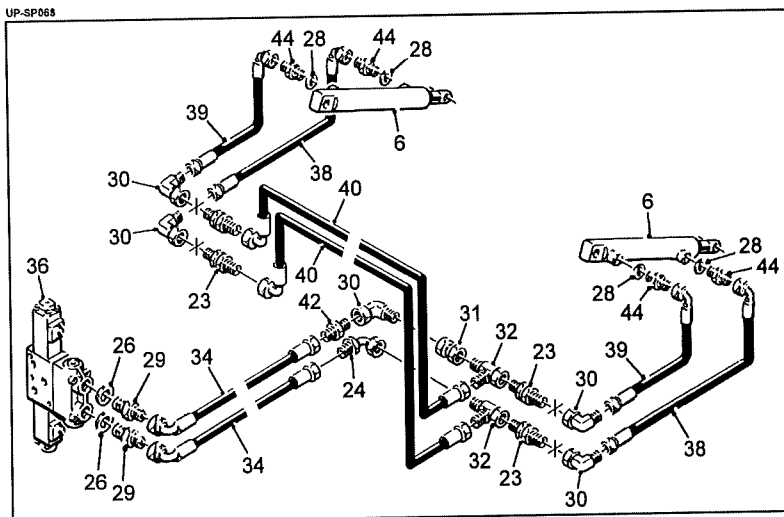
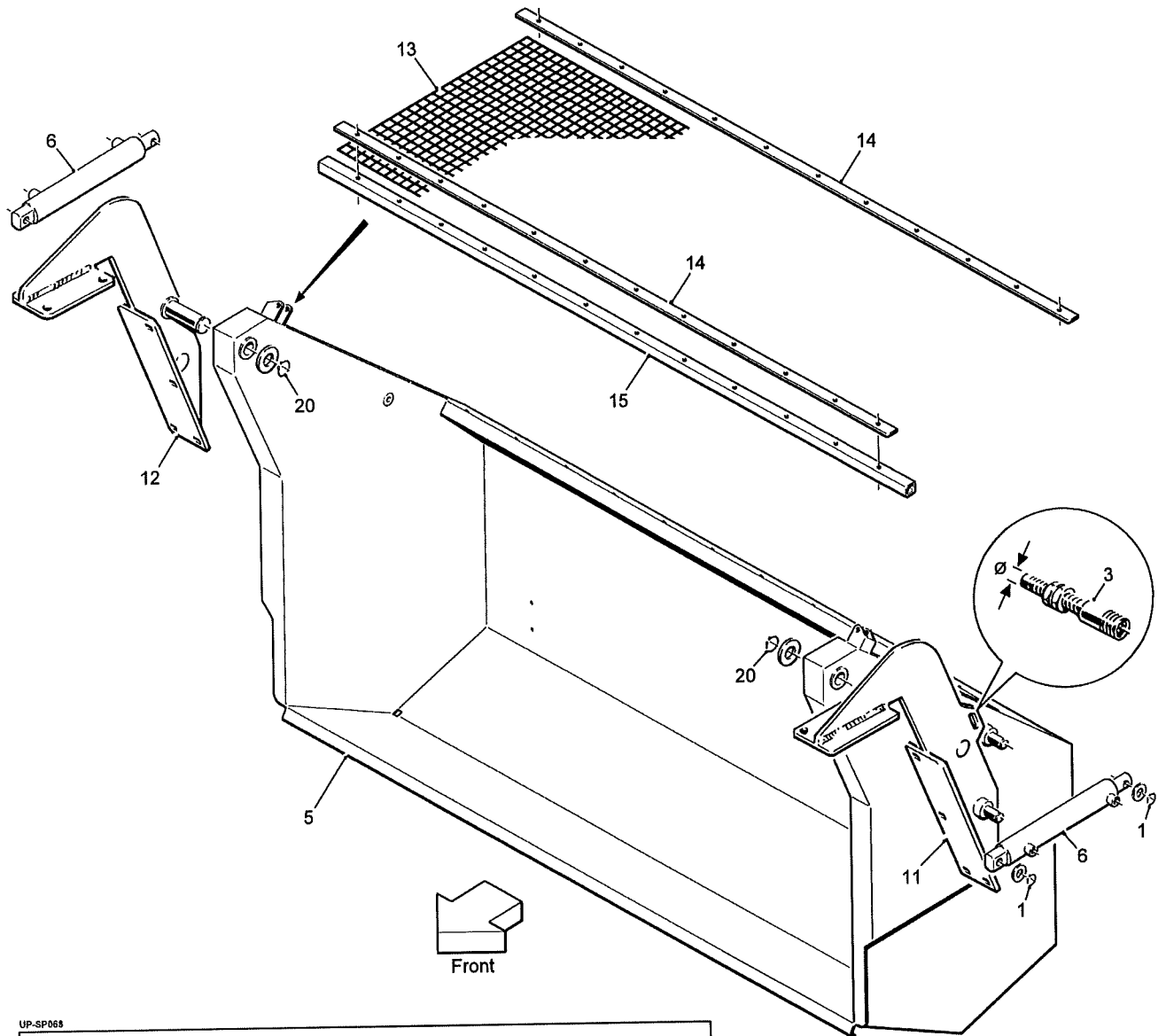
Boulder Stars Assembly

Item	Part No.	Description	Qty.	Remarks
50				
51	SS045013/006	Steel Spacer	2	
52	SS045017/006	Steel Spacer	1	
53	SS051041/032	Steel Spacer	1	
54				
55	SS040017/008	Steel Spacer	1	
56				
57	68082	Toothed Belt	1	
58				
		5 + 5 Finger Stars Consist Of:		Optional
68	57001	5 + 5 Finger Star (40mm wide)	a/r	
69	57203	5 + 5 Finger Star (30mm wide)	1	
70				
71				
72	57324	25mm Plastic Spacer	a/r	



Machines from 2019

Boulder Box Assembly



5.7a**ALL WEB UNIPLUS SPARE PARTS**

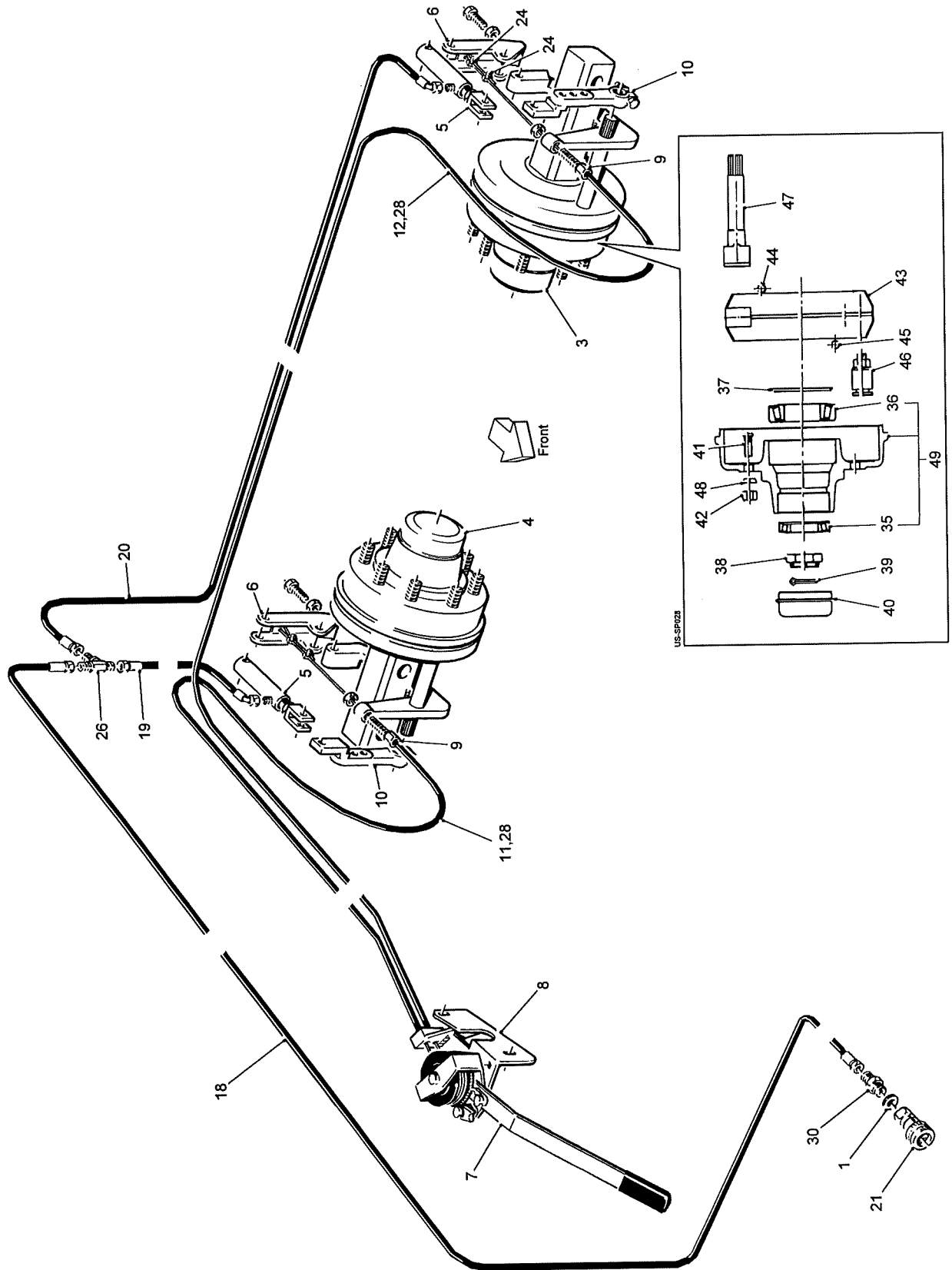
Machines from 2019

Boulder Box Assembly

Item	Part No.	Description	Qty.	Remarks
1	RPF200.020175	Ø20 External Circlip	4	Was 12298
2				
3	41504	Proximity Sensor (Ø12)	1	Was 36124 (Ø8)
4				
5	57233	Boulder Box (1500 & 1600mm)	1	
	57233A	Boulder Box (1700mm)	1	
6	57295	Hydraulic Ram	2	
7				
8				
9	68028	Hose Retainer	1	
10				
11	57234	Bracket LH	1	
12	57235	Bracket RH	1	
13	61513	Netting (1500 & 1600mm)	1	
	61513A	Netting (1700mm)	1	
14	61518	Clamp Strip (1500 & 1600mm)	2	
	61518A	Clamp Strip (1700mm)	2	
15	61519	Mounting Beam (1500 & 1600mm)	1	
	61519A	Mounting Beam (1700mm)	1	
16				
17				
18				
19				
20	W0166	Ø30 External Circlip	2	
21				
22	59295	Pipe Clamp	2	
		Hydraulic Components Consist Of:		
23	10466	3/8"BSP Bulkhead Adaptor	4	
24	13189	3/8"BSP M F Swept 90° Adaptor	1	
25				
26	27461	M18 Dowty Seal	2	
27				
28	37104	M16 Dowty Seal	4	
29	37599	M18x3/8"BSP M M Adaptor	2	
30	42343	3/8"BSP M F Compact 90° Adaptor	5	
31	43592	3/8"BSP F F Adaptor	1	
32	46939	3/8"BSP F M M Tee	2	
33				
34	60480	3/8"Hose Assembly (3200mm)	2	
35				
36	57085/3	D/A Valve Section	1	
37				
38	60168	3/8"Hose Assembly (700mm)	2	
39	60280	3/8"Hose Assembly (510mm)	2	
40	60289	3/8"Hose Assembly (3380mm)	2	
41				
42	DW222008066	3/8"BSP M M Restrictor	1	
43				
44	RPH700.170616	M16x3/8"BSP M M Adaptor	4	

Machines from 2019

Braked Axle Assembly
Assy No 57349



5.12a

ALL WEB UNIPLUS SPARE PARTS

Machines from 2019

Braked Axle Assembly

Assy No 57349

Item	Part No.	Description	Qty.	Remarks
1	11124	1/2"BSP Dowty Seal	1	
2				
3	57343	LH Braked Axle Assembly	1	
4	57344	RH Braked Axle Assembly	1	
5	57345	Brake Ram	2	
6	57346	Brake Ram Arm	2	
7	57347	Handbrake Assembly	1	
8	57348	Handbrake Mounting	1	
9	57353	Cable Adjuster	2	
10	57354	Brake Link	2	
11	57355/2700	Outer Cable (2700mm)	1	
12	57355/5300	Outer Cable (5300mm)	1	
13				
14				
15				
16				
17				
18	60339	3/8"Hose Assembly (9750mm)	1	
19	60340	3/8"Hose Assembly (1200mm)	1	
20	60341	3/8"Hose Assembly (3500mm)	1	
21	60342	1/2"BSP Trail Brake Carrier	1	
22				
23				
24	DWS486	Ø4 Wire Rope Grip	4	
25				
26	SPCL597	3/8"BSP M M M Tee	1	
27				
28	SSR101X	Ø3 Inner Cable	11m	
29				
30	UC25	1/2"BSPx3/8"BSP M M Adaptor	1	
31				
32				
33				
34				
35	-	Outer Bearing	1	
36	-	Inner Bearing	1	
37	-	Retaining Ring	1	
38	-	Castellated Nut	1	
39	-	Split Pin	1	
40	-	Hub Cap	1	
41	-	Wheel Stud	8	
42	-	Wheel Nut	8	
43	-	Shoe with Lining	2	
44	-	Upper Brake Shoe Return Spring	1	
45	-	Lower Brake Shoe Return Spring	1	
46	-	Shoe Anchor Pin	1	
47	-	Camshaft	1	
48	-	Spring Washer	8	
49	-	Hub c/w Bearings	1	