

CONTENTS

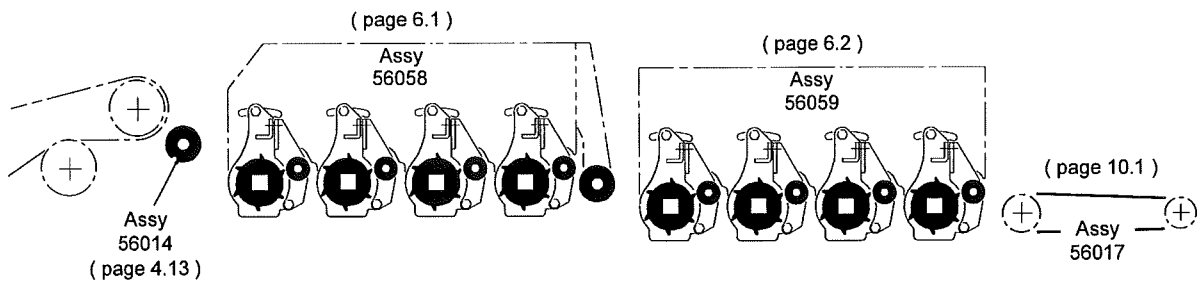
T3 SPARE PARTS

MAIN FRAME, WHEELS & GUARDS	
Main Frame & Drawbar	3.1
Wheel Legs	3.2
Guards	3.3
DIGGER SECTION	
Rubber Depth Roller Assemblies	4.1
Diabolo Depth Roller Assemblies	4.2
LH & RH Powered Depth Roller Assemblies	4.3
Centre Powered Depth Roller Assembly	4.4
Disc Coulter Assemblies	4.6
Powered Disc Coulter Assemblies	4.7
Share Assemblies	4.8
Haulm Intake Roller Assemblies	4.9
Inner Anti Roll-back Flaps	4.10
Digger Web Assembly	4.11
Sieving Web Assembly	4.12
Haulm Roller Assembly	4.13
SEPARATOR FEED UNITS	
Feed Scroll Assembly	5.1
OMEGA SEPARATORS	
Front 4R Omega Separator	6.1
Rear 4R Omega Separator	6.2
2R Omega (before roller table)	6.3
4R Omega (behind roller table)	6.4
ROLLER TABLE / PRO-CLEAN SEPARATOR	
Roller Table / Pro-Clean Separator	8.1
SEPARATOR TRANSFER UNITS	
Triple Transfer Roller Unit	9.1
DISCHARGE SECTION	
Spreader Web Assembly (short)	10.1
Spreader Web Assembly (long)	10.2
Cross Elevator Assembly	10.3
Discharge Elevator Assembly	10.5
INPUT DRIVES, HYDRAULICS & ELECTRICS	
PTO Drive Coupling	11.1
Front Gearbox	11.2
Tractor Powered Hydraulics	11.3
Powered Axle Hydraulics	11.4
Digger Web & Sieving Web Hydraulics	11.5
Front Separator Hydraulics	11.6
Rear Separator Hydraulics	11.7
Hydraulic Oil Cooler Kit	11.8
Electrical Assembly	11.9
Road Lights	11.10
OPTIONS	
Elevator Auto-height Kit	12.1
Cascade Fall Breaker / Box Filler	12.2
Web Cleaner Kits	12.3
Rear Inspection Platform	12.4
Sweeping Clod Fingers	12.5
Hydraulically Driven Windrow Kit	12.6
Easi-pic Table & Spreader Unit	12.7
Easi-pic Platform & Canopy	12.8

Note: When using the following pages to order replacement parts, please quote the full serial number of your machine.

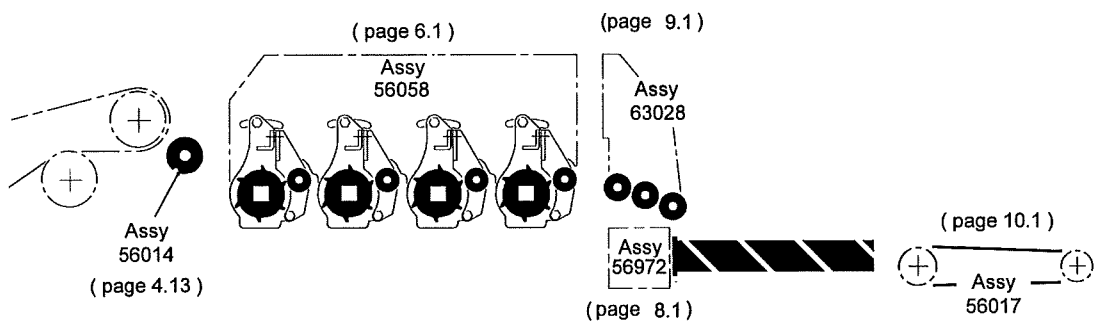
CONTENTS

HAULM ROLLER - 4R OMEGA - 4R OMEGA - SPREADER Assy No 63114A

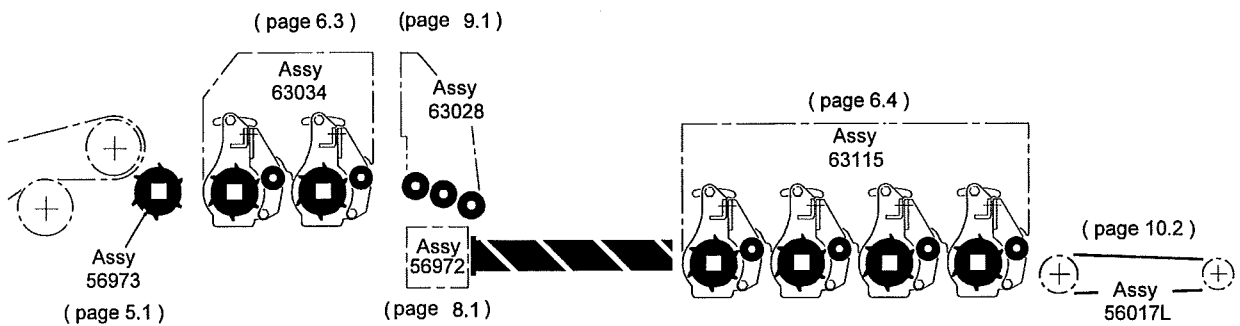


HAULM ROLLER - 4R OMEGA - ROLLER TABLE - SPREADER Assy No 63114B

T3-SP099

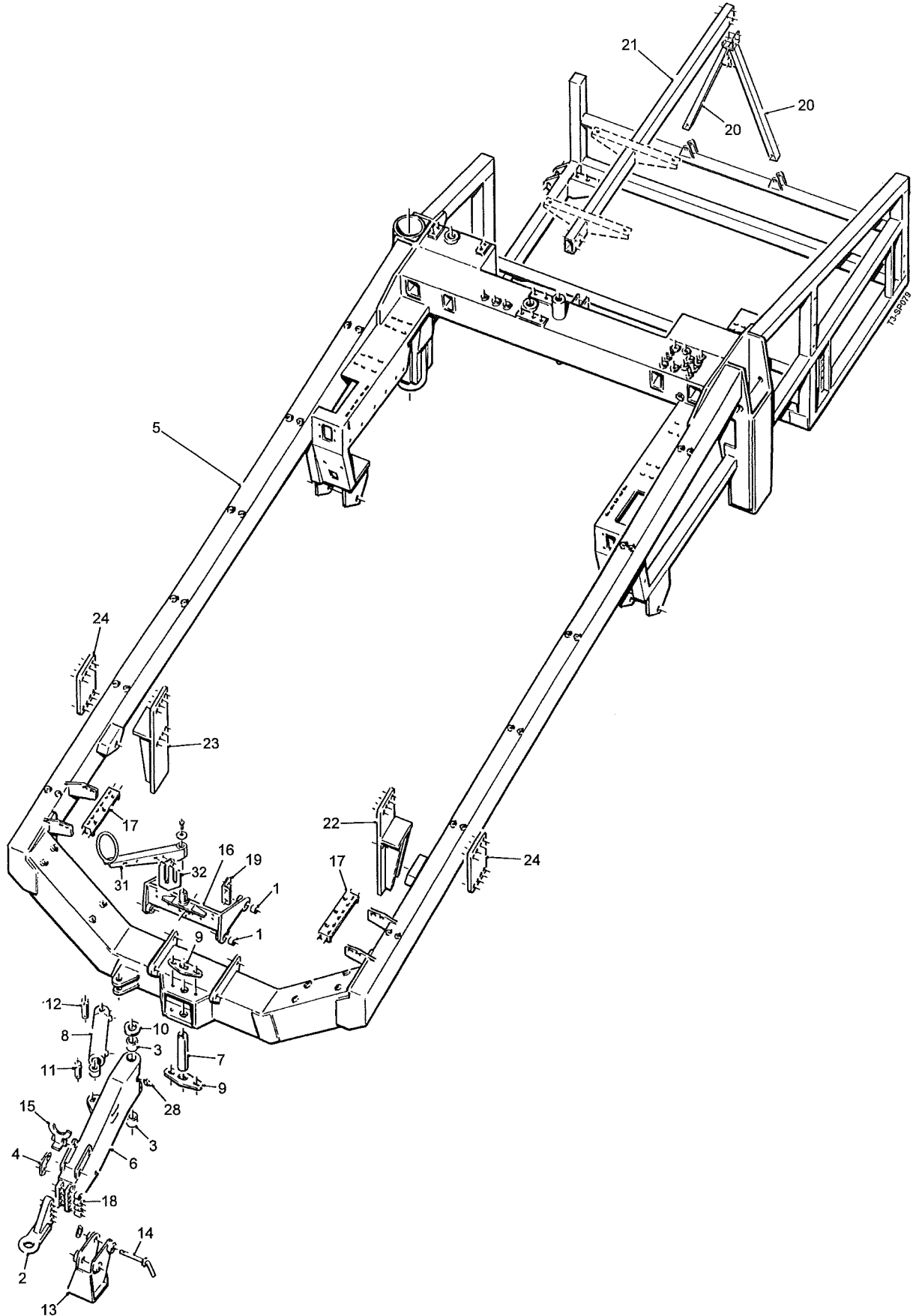


FEED SCROLL - 2R OMEGA - ROLLER TABLE - 4R OMEGA - SPREADER Assy No 63114C



Machines from 2015

Main Frame & Drawbar
Part of Assy No 56001



3.1a

T3 SPARE PARTS

Machines from 2015

Main Frame & Drawbar

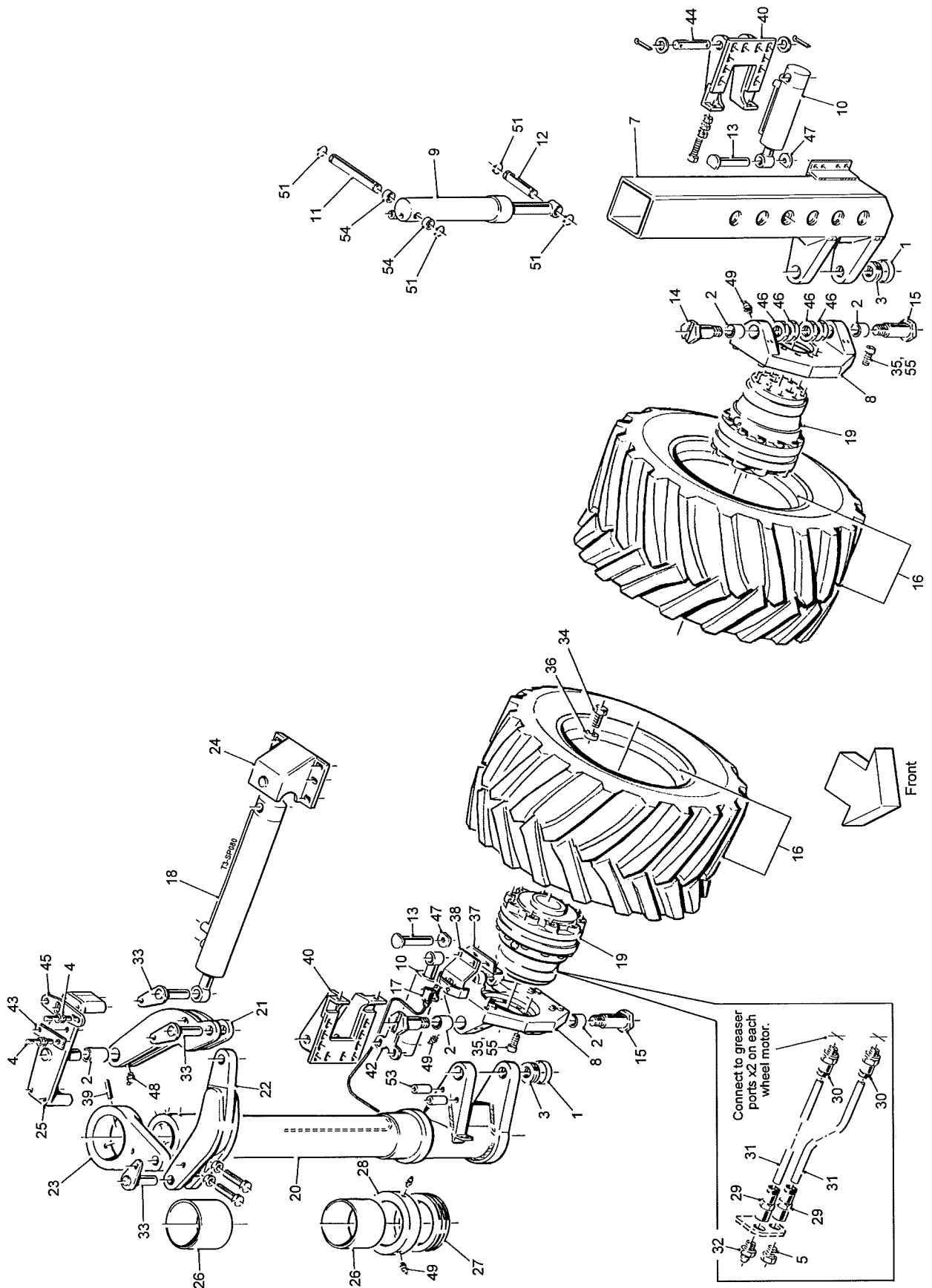
Part of Assy No 56001

Item	Part No.	Description	Qty.	Remarks
1	42091	Bush	4	
2	42144	Drawbar Eye	1	
3	44189	Nylon Bush	2	
4	51266	Chain Anchor	1	
5	56100	Main Frame (short)	1	
	56100L	Main Frame (long)	1	
6	56523	Angled Drawbar	1	
7	56118	Drawbar Pin	1	
8	56119	Hydraulic Ram	1	
9	56120	Pin Keep Plate	2	
10	56121	Thrust Washer	1	
11	56122	Ram Pin	1	
12	56123	Ram Pin	1	
13	56124	Drawbar Stand	1	
14	56125	Stand Locking Pin	1	
15	56126	PTO Support	1	
16	56275	Gearbox Mounting	1	
17	56332	Filter Mounting	2	
18	56427	Drawbar Spacer	4	
19	56529	Gearbox Support Angle	1	
20	56534	Elevator Support Leg	2	
21	56535	Elevator Support Beam	1	Short chassis
	56535L	Elevator Support Beam	1	Long chassis
22	56452	LH Stabiliser	1	
23	56453	RH Stabiliser	1	
24	56454	Stabiliser Clamp Plate	2	
25				
26				
27				
28	GS412	1/8"BSP Straight Grease Nipple	1	
29				
30				
31	59666	Support Arm	1	
32	59667	Hose Support Plate	1	

Machines from 2015

Wheel Legs

Part of Assy No 56001



Machines from 2015

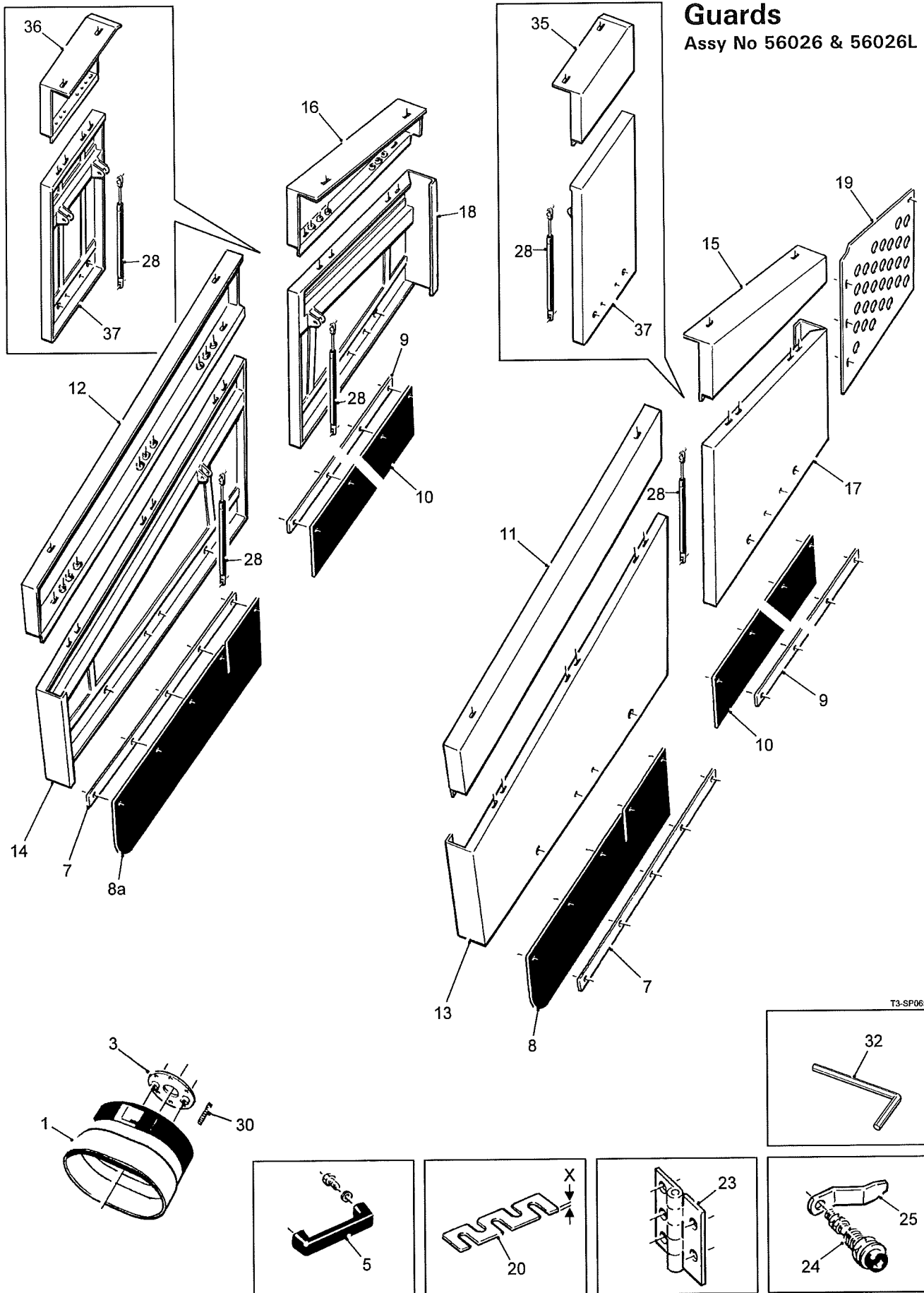
Wheel Legs

Part of Assy No 56001

Item	Part No.	Description	Qty.	Remarks
1	44140	Bearing Shroud	2	
2	44189	Nylon Bush	4	
3	44190	Thrust Bearing	2	
4	32037/1	Proximity Sensor	2	
5	11876/8	1/4"BSP Blanking Plug	2	
6				
7	56127	LH Wheel Leg	1	
8	56128	Motor Mounting	2	
9	56888	Hydraulic Ram	1	
10	56130	Hydraulic Ram	2	
11	56131	Top Ram Pin	1	
12	56132	Bottom Ram Pin	1	
13	56133	Body Pin	2	
14	56135	LH Top King Pin	1	
15	56136	Bottom King Pin	2	
16	56218	700/40-26.5 16PR Wheel Assembly	2	
17	56320	Rotary Sensor	1	Sensor cable 56467/1A
18	56333	Hydraulic Ram	1	
19	56334	Hydraulic Wheel Motor	2	
20	56336	RH Wheel Leg	1	
21	56337	Ram Link	1	
22	56338	BackLink	1	
23	56339	Rotate Arm	1	
24	56340	Ram Support	1	
25	56341	Link Support	1	
26	56342	Nylon Bush	2	
27	56343	Thrust Bearing	1	
28	56344	Bearing Shroud	1	
29	51134	1/4"BSP Tube Connector	4	
30	51135	1/8"BSP Tube Connector	4	
31	51136	Flexible Tube (560mm)	4	
32	51138	1/4"BSP Grease Nipple	2	
33	56349	Link Pin	3	
34	56350	M22x60 Wheel Bolt	20	
35	56351	M20x50 Socket Head Capscrew	16	
36	56352	Wheel Washer	20	
37	56353	Sensor Support	1	
38	56354	Sensor Mounting	1	
39	56376	Ø16x60 Spirol Pin	2	
40	56530	Steer Ram Lug	2	
41				
42	56532	RH Top King Pin	1	
43	56539	Reverse Sensor Mounting	1	
44	56571	Body Pin	2	
45	56846	Axle Limit Sensor Plate	1	
46	22034039	M39 Half Nut	8	
47	56133A	Retaining Washer	2	
48	GS411	1/8"BSP Angled Grease Nipple	1	
49	GS412	1/8"BSP Straight Grease Nipple	7	
50				
51	RH56	Ø30 External Circlip	4	
52				
53	SS030011/073	Steel Spacer	2	
54	SS036032/028	Steel Spacer	2	
55	56876	M20x40 Socket Head Capscrew	8	

Machines from 2015

Guards
Assy No 56026 & 56026L



T3-SP065

3.3a

T3 SPARE PARTS

Machines from 2015

Guards

Assy No 56026 & 56026L

Item	Part No.	Description	Qty.	Remarks
1	44216	Guard Cone	1	
2				
3	46637	Guard Cone Mounting Ring	1	
4				
5	50047	Handle	4	Long chassis Qty. x6
6				
7	56607	Clamp Strip	2	
8	56608	LH Rubber Flap	1	
8a	56608RH	RH Rubber Flap	1	
9	56609	Clamp Strip (4 holes)	2	Standard chassis
	56609L	Clamp Strip (6 holes)	2	Long chassis
10	56610	Rubber Flap (4 holes)	2	Standard chassis
	56610L	Rubber Flap (6 holes)	2	Long chassis
11	56836	LH Front Support Plate	1	
12	56837	RH Front Support Plate	1	
13	56838	LH Front Guard Door	1	
14	56839	RH Front Guard Door	1	
15	56840	LH Rear Support Plate	1	
16	56841	RH Rear Support Plate	1	
17	56842	LH Rear Guard Door	1	
18	56843	RH Rear Guard Door	1	
19	56864	LH Rear Infill Panel	1	
20	56873/1.2	Hinge Shim (X = 1.2mm)	a/r	
	56873/2	Hinge Shim (X = 2mm)	a/r	
	56873/3	Hinge Shim (X = 3mm)	a/r	
21				
22				
23	57195	Hinge	10	Long chassis Qty. x14
24	57199	Lock Assembly	8	Long chassis Qty. x12
25	57219	Guard Latch Arm	8	Long chassis Qty. x12
26				
27				
28	58111	Gas Strut	4	Long chassis Qty. x6
29				
30	22106012/065	M12x65 Stud	2	
31				
32	-	M8 Allen Key	1	
33				
34				
35	63004	LH Centre Support Plate	1	Long chassis only
36	63005	RH Centre Support Plate	1	Long chassis only
37	63006	Centre Guard Door	2	Long chassis only

4.1a**T3 SPARE PARTS**

Machines from 2015

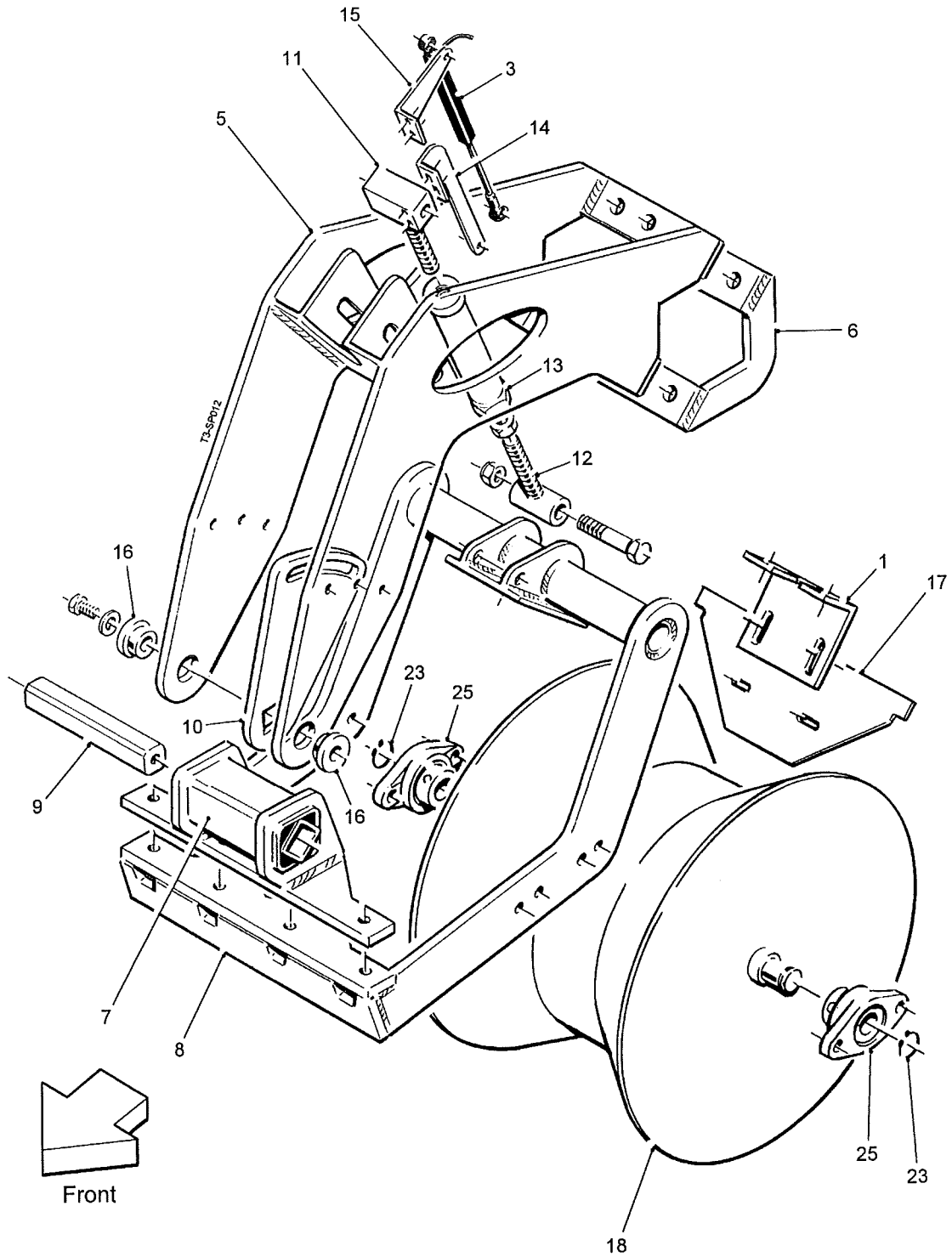
Rubber Depth Roller Assemblies

Assy No 56035

Item	Part No.	Description	Qty.	Remarks
1	55122	Sensor	2	
2				
3	56263	Support Arm	2	
4	56264	Clamp Bracket	2	
5	56265	Mounting Pivot	2	
6	56266	Mounting Frame	2	
7	56267	Pivot Bar	2	
8	56268	Adjuster Plate	2	
9	56269	Adjuster LH	2	
10	56270	Adjuster RH	2	
11	56271	Adjuster Tube	2	
12	56272	Sensor Bracket	2	
13	56273	Sensor Mounting	2	
14	56274	Top Hat Spacer	4	
15	56432	Axle	2	
16	56433	Scraper Mounting	2	
17				
18				
19				
20				
21	RPC655.309696	M14 Wheel Nut	8	
22	RPM225.308669	Scraper	2	
23	RPGMRPB93.08125	22x11-8 Wheel Complete	2	
24				
25	RH56	Ø30 External Circlip	4	
26				
27	SFT30A	Bearing	4	
28				
29	22108014/045	M14x45 Setscrew	8	

Machines from 2015

Diabolo Depth Roller Assemblies
Assy No 56003



4.2a**T3 SPARE PARTS**

Machines from 2015

Diabolo Depth Roller Assemblies

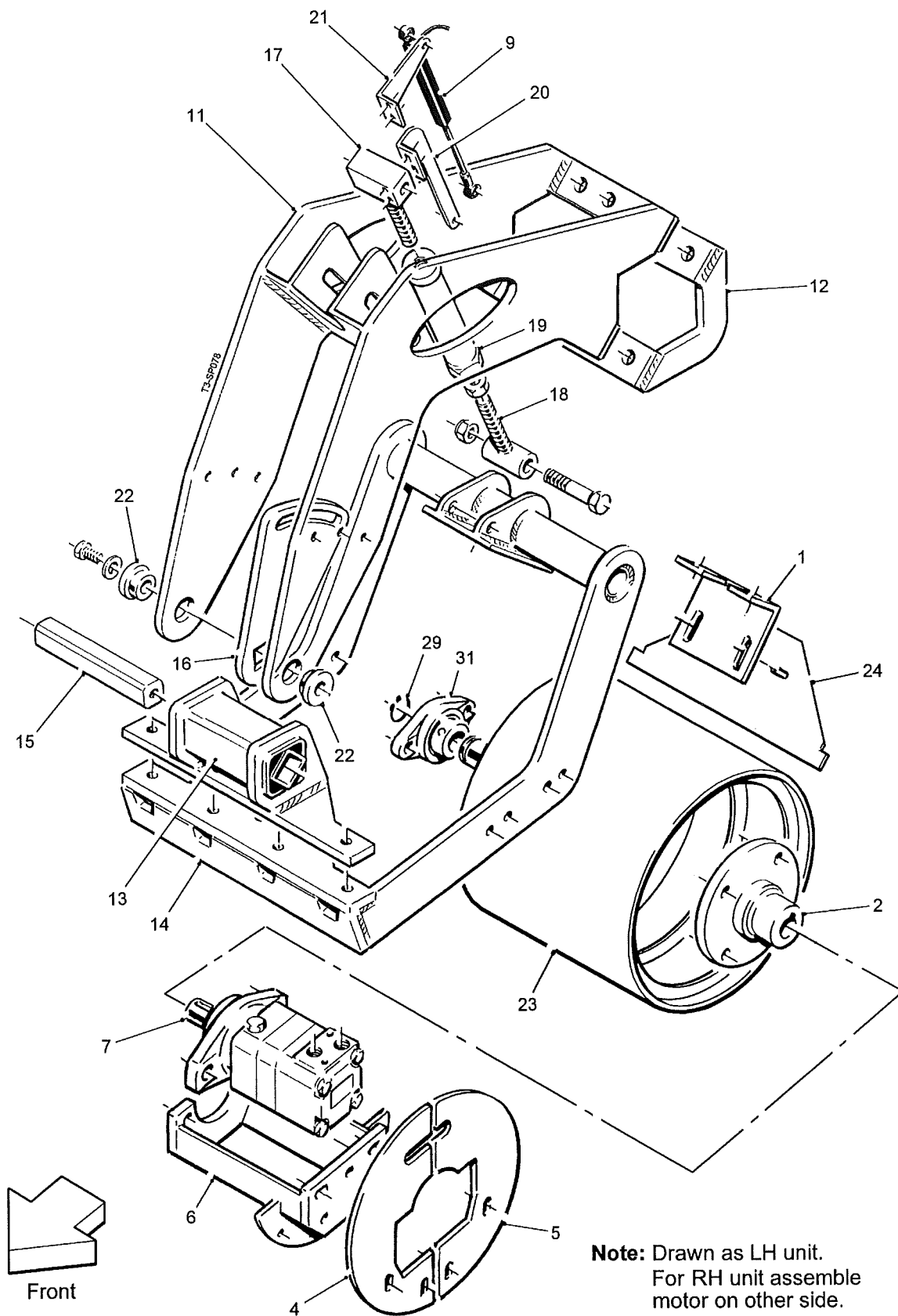
Assy No 56003

Item	Part No.	Description	Qty.	Remarks
1	46521	Scraper Mounting	2	
2				
3	55122	Sensor	2	
4				
5	56263	Support Arm	2	
6	56264	Clamp Bracket	2	
7	56265	Mounting Pivot	2	
8	56266	Mounting Frame	2	
9	56267	Pivot Bar	2	
10	56268	Adjuster Plate	2	
11	56269	Adjuster LH	2	
12	56270	Adjuster RH	2	
13	56271	Adjuster Tube	2	
14	56272	Sensor Bracket	2	
15	56273	Sensor Mounting	2	
16	56274	Top Hat Spacer	4	
17	56322	Scraper	2	
18	56325	Diabolo Roller	2	
19				
20				
21				
22				
23	RH56	Ø30 External Circlip	4	
24				
25	SFT30A	Bearing	4	

Machines from 2015

LH & RH Powered Depth Roller Assemblies

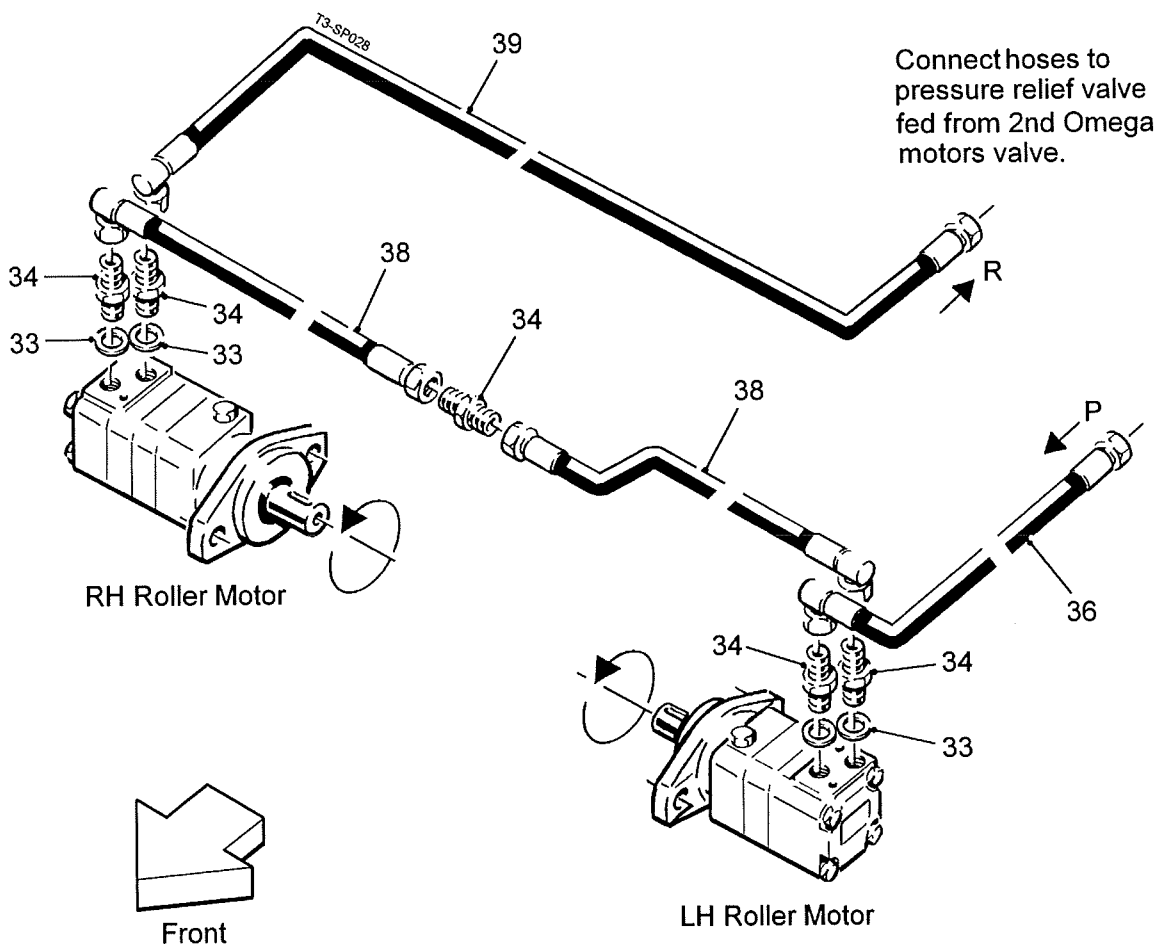
Assy No 56004



Machines from 2015

LH & RH Powered Depth Roller Assemblies

Assy No 56004



T3 SPARE PARTS

4.3b

Machines from 2015

LH & RH Powered Depth Roller Assemblies

Assy No 56004

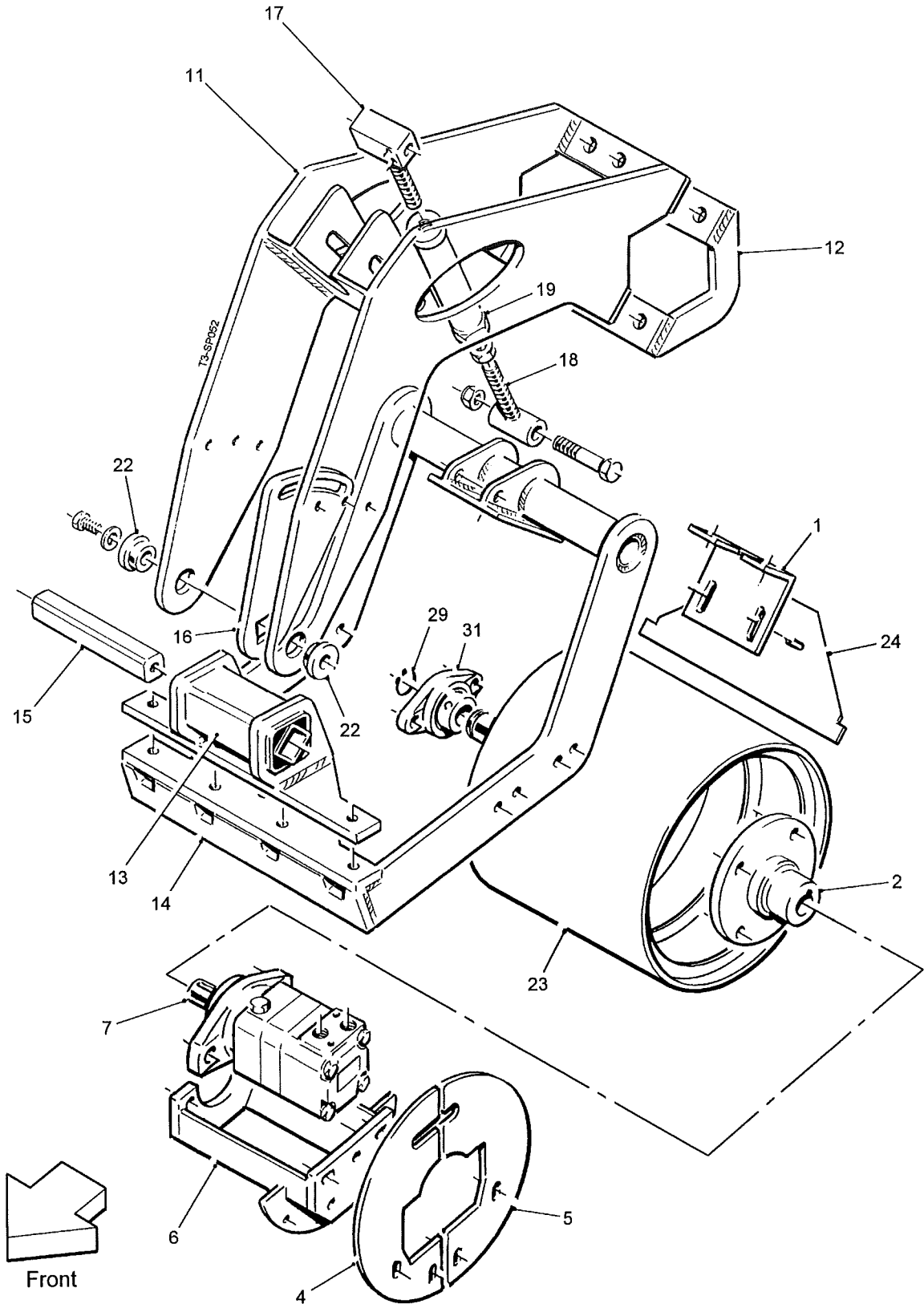
Item	Part No.	Description	Qty.	Remarks
1	46521	Scraper Mounting	2	
2	46605	Motor Flange	2	
3				
4	51035	Front Shield	2	
5	51036	Rear Shield	2	
6	56629	Motor Mounting	2	
7	51847	Hydraulic Motor	2	
8				
9	55122	Sensor	2	
10				
11	56263	Support Arm	2	
12	56264	Clamp Bracket	2	
13	56265	Mounting Pivot	2	
14	56266	Mounting Frame	2	
15	56267	Pivot Bar	2	
16	56268	Adjuster Plate	2	
17	56269	Adjuster LH	2	
18	56270	Adjuster RH	2	
19	56271	Adjuster Tube	2	
20	56272	Sensor Bracket	2	
21	56273	Sensor Mounting	2	
22	56274	Top Hat Spacer	4	
23	56455	Plain Roller	2	
24	56322	Scraper	2	
25				
26				
27				
28				
29	RH56	Ø30 External Circlip	2	
30				
31	SFT30A	Bearing	2	
32				
		Hydraulic Components Consist Of:		
33	11124	1/2" BSP Dowty Seal	4	
34	12315	1/2" BSP M M Adaptor	5	
35				
36	51139	1/2" Hose Assembly (2500mm)	1	
37				
38	60327	1/2" Hose Assembly (3000mm)	2	
39	60328	1/2" Hose Assembly (4200mm)	1	



Machines from 2015

Centre Powered Depth Roller Assembly

Assy No 56793



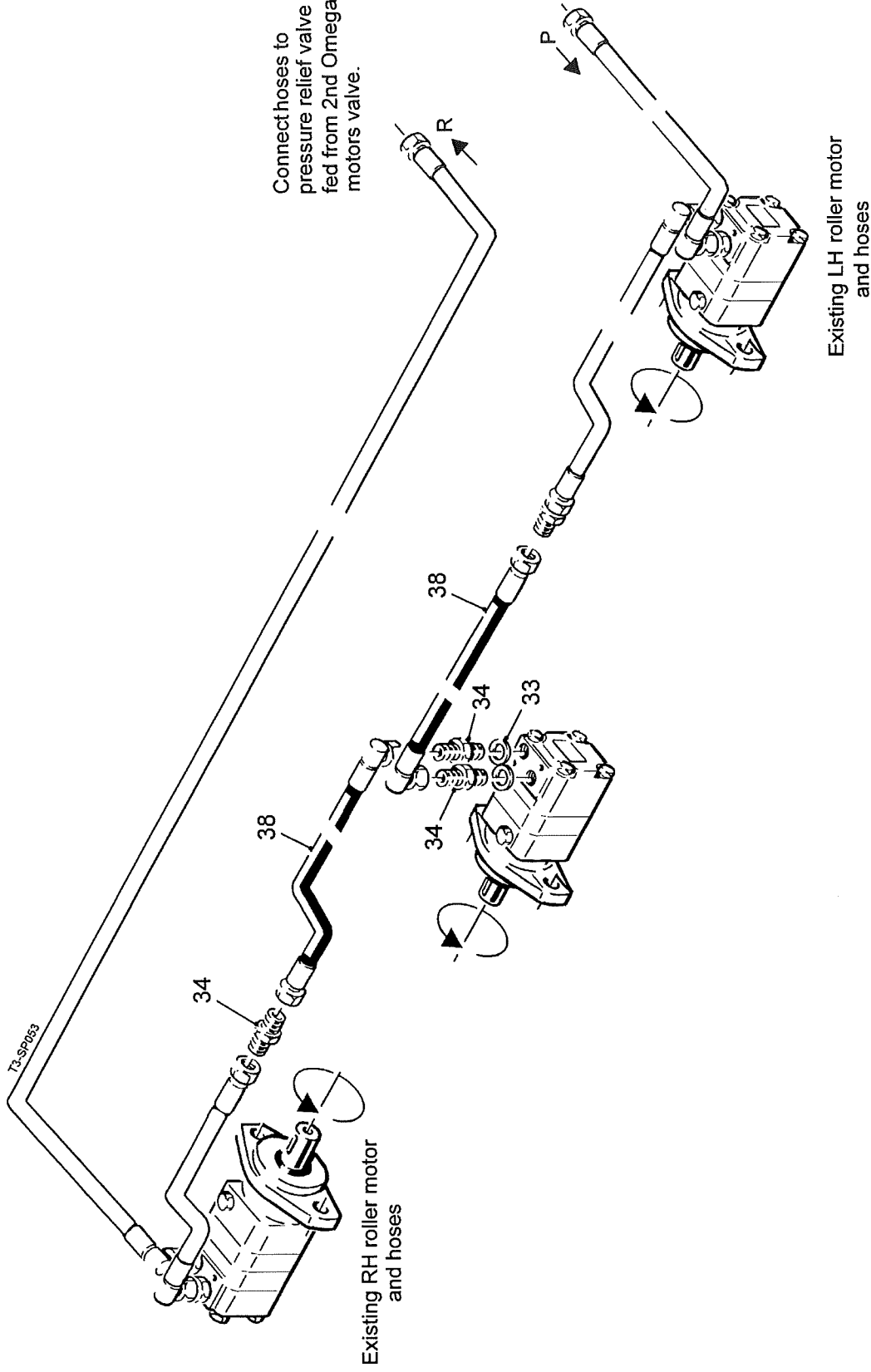
4.4a

T3 SPARE PARTS

Machines from 2015

Centre Powered Depth Roller Assembly

Assy No 56793



T3 SPARE PARTS**4.4b**

Machines from 2015

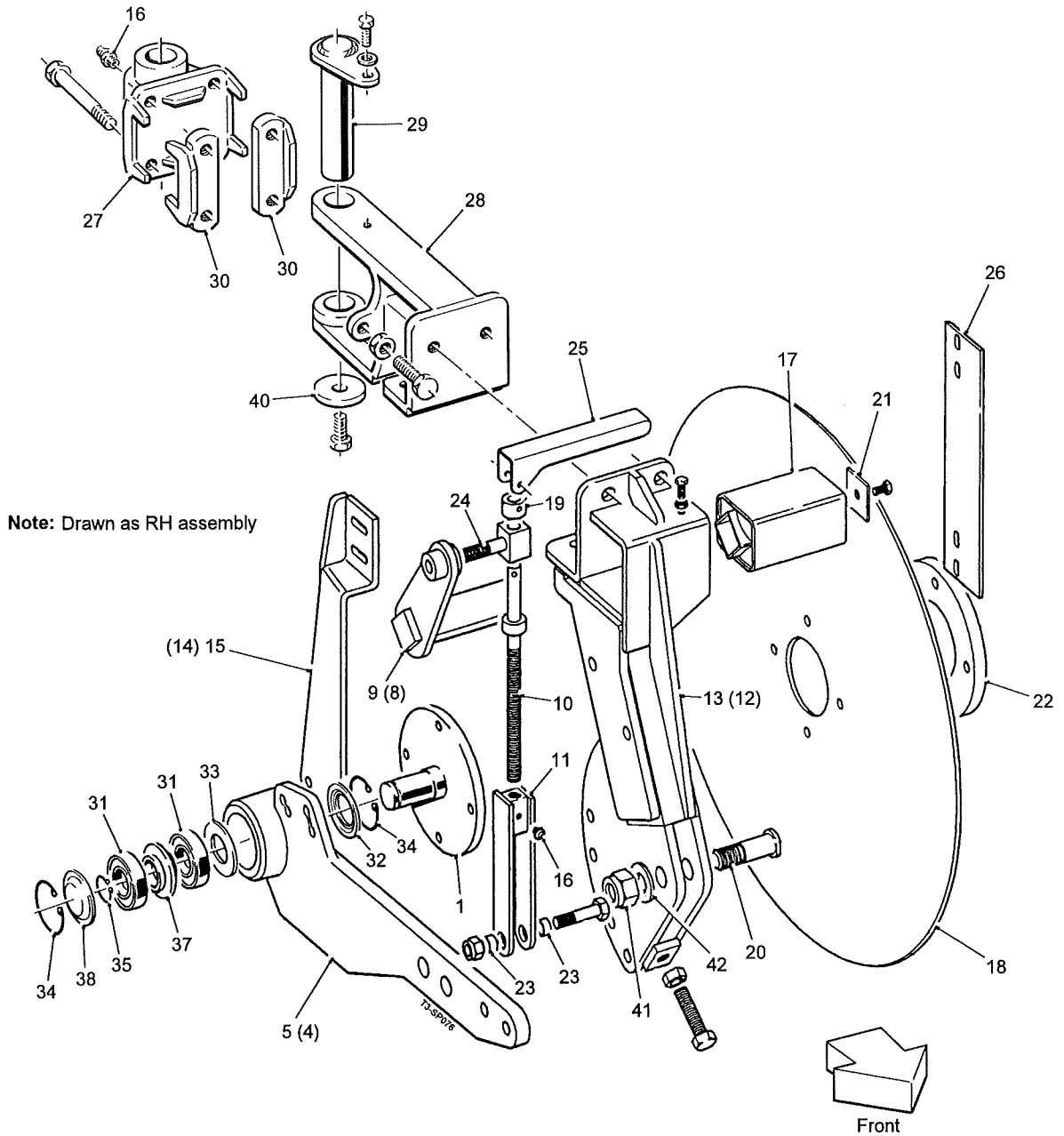
Centre Powered Depth Roller Assembly**Assy No 56793**

Item	Part No.	Description	Qty.	Remarks
1	46521	Scraper Mounting	1	
2	46605	Motor Flange	1	
3				
4	51035	Front Shield	1	
5	51036	Rear Shield	1	
6	56629	Motor Mounting	1	
7	51847	Hydraulic Motor	1	
8				
9				
10				
11	56794	Short Support Arm	1	
12	56264	Clamp Bracket	1	
13	56265	Mounting Pivot	1	
14	56266	Mounting Frame	1	
15	56267	Pivot Bar	1	
16	56268	Adjuster Plate	1	
17	56269	Adjuster LH	1	
18	56270	Adjuster RH	1	
19	56271	Adjuster Tube	1	
20				
21				
22	56274	Top Hat Spacer	1	
23	56455	Plain Roller	1	
24	56322	Scraper	1	
25				
26				
27				
28				
29	RH56	Ø30 External Circlip	1	
30				
31	SFT30A	Bearing	1	
32				
		Hydraulic Components Consist Of:		
33	11124	1/2"BSP Dowty Seal	2	
34	12315	1/2"BSP M M Adaptor	3	
35				
36				
37				
38	60327	1/2"Hose Assembly (3000mm)	2	



Machines from 2015

Disc Coulter Assemblies



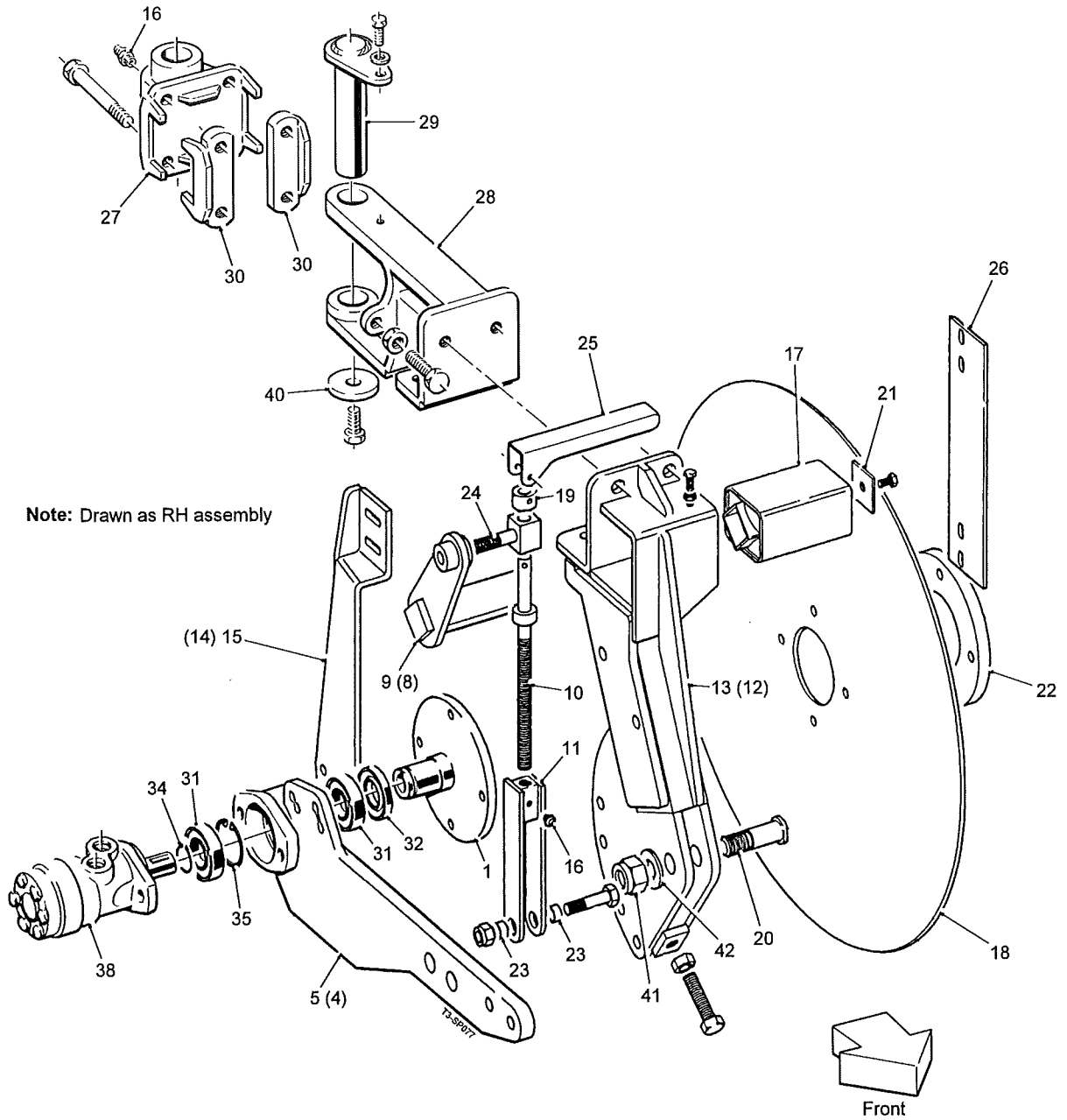
Machines from 2015

Disc Coulter Assemblies

Item	Part No.	Description	Qty.	Remarks
1	56293	Disc Spindle	1	
2				
3				
4	56620	LH Disc Arm (not shown)	1	
5	56621	RH Disc Arm	1	
6			1	
7				
8	RPA610.301509	LH Disc Torsion Arm (not shown)	1	
9	RPA610.302189	RH Disc Torsion Arm	1	
10	RPA610.301512	Disc Adjuster Spindle	1	
11	RPA610.301513	Block Adjuster	1	
12	RPA610.301530	LH Disc Mounting Arm (not shown)	1	
13	RPA610.301531	RH Disc Mounting Arm	1	
14	RPA610.301534A	Scraper Mounting LH (not shown)	1	
15	RPA610.301535A	Scraper Mounting RH	1	
16	RPC648.081250	M8 Straight Grease Nipple	3	
17	RPGMRP084.00001	Rubber Torsion Unit	1	
18	RPM120.300251	Plain Disc (Ø740mm)	1	Option
	RPGM089.00018	Plain Disc (Ø645mm)	1	Option
	RPGMRP089.01829	Serrated Disc	1	Option
19	RPM114.301502	Collar	1	
20	RPM146.303752	Pivot Pin	1	
21	RPM152.303434	Retainer	1	
22	RPM152.308652	Retainer	1	
23	RPM172.301506	Sleeve	2	
24	RPM178.301500	Spigot	1	
25	RPM226.301510	Handle	1	
26	RPW240.303093	Disc Scraper	1	
27	56984	Pivot Bracket	1	
28	56985	Disc Mounting Bracket	1	
29	56986	Pivot Pin	1	
30	62547	Clamp	2	
31	6009RS	Bearing	2	
32	6009ZJV	Nilos Ring	1	
33	SS075058/002	Steel Spacer	1	
34	W0116	Ø75 Internal Circlip	2	
35	W0117	Ø45 External Circlip	1	
36				
37	59711	Steel Spacer	1	
38	2000703003	Dust Cap	1	
39				
40	SS075013/010	Washer	1	
41	22041024	M24 Nyloc Nut	1	
42	22046024C	M24 Flat Washer	1	

Machines from 2015

Powered Disc Coultter Assemblies

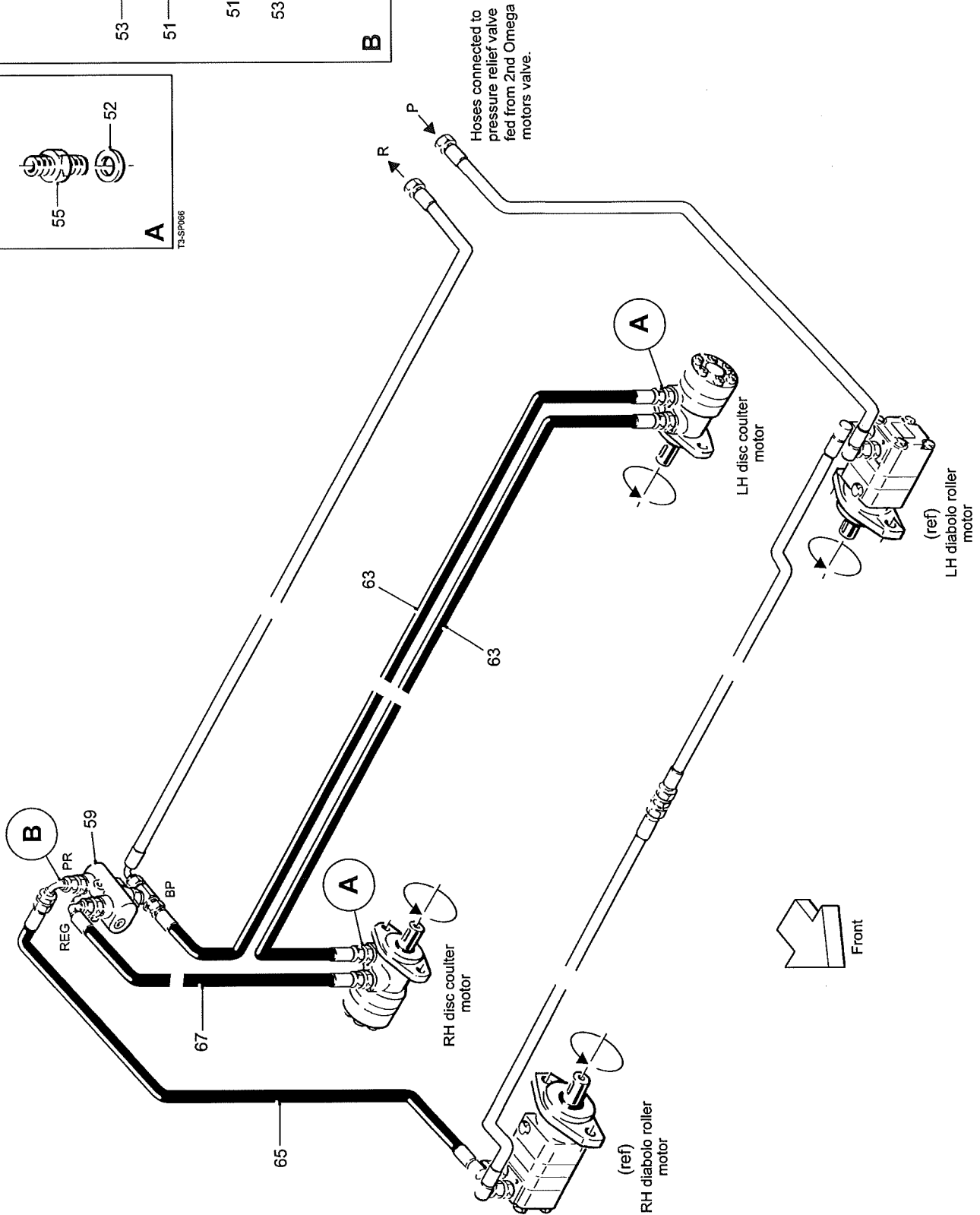
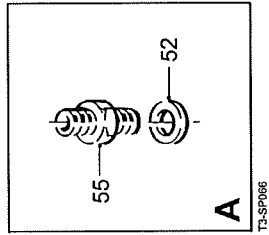
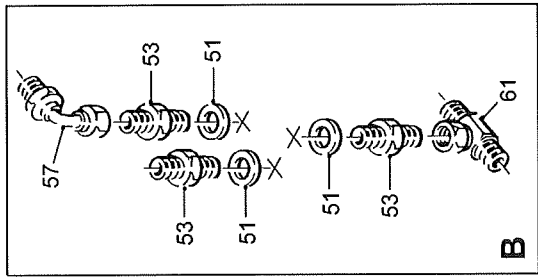


4.7a

T3 SPARE PARTS

Machines from 2015

Powered Disc Coultter Assemblies



T3 SPARE PARTS

4.7b

Machines from 2015

Powered Disc Coulter Assemblies

Item	Part No.	Description	Qty.	Remarks
1	RPS1123	Disc Spindle	1	
2				
3				
4	RPS1124	LH Disc Arm (not shown)	1	
5	RPS1125	RH Disc Arm	1	
6			1	
7				
8	RPA610.301509	LH Disc Torsion Arm (not shown)	1	
9	RPA610.302189	RH Disc Torsion Arm	1	
10	RPA610.301512	Disc Adjuster Spindle	1	
11	RPA610.301513	Block Adjuster	1	
12	RPA610.301530	LH Disc Mounting Arm (not shown)	1	
13	RPA610.301531	RH Disc Mounting Arm	1	
14	RPA610.301534A	Scraper Mounting LH (not shown)	1	
15	RPA610.301535A	Scraper Mounting RH	1	
16	RPC648.081250	M8 Straight Grease Nipple	3	
17	RPGMRP084.00001	Rubber Torsion Unit	1	
18	RPM120.300251	Plain Disc (Ø740mm)	1	Option
	RPGM089.00018	Plain Disc (Ø645mm)	1	Option
	RPGMRP089.01829	Serrated Disc	1	Option
19	RPM114.301502	Collar	1	
20	RPM146.303752	Pivot Pin	1	
21	RPM152.303434	Retainer	1	
22	RPM152.308652	Retainer	1	
23	RPM172.301506	Sleeve	2	
24	RPM178.301500	Spigot	1	
25	RPM226.301510	Handle	1	
26	RPW240.303093	Disc Scraper	1	
27	56984	Pivot Bracket	1	
28	56985	Disc Mounting Bracket	1	
29	56986	Pivot Pin	1	
30	62547	Clamp	2	
31	6011RS	Bearing	2	
32	46546	Oil Seal	1	
33				
34	46563	Ø55 External Circlip	1	
35	46564	Ø90 Internal Circlip	1	
36				
37	59711	Steel Spacer	1	
38	46855	Hydraulic Motor	1	
39				
40	SS075013/010	Washer	1	
41	22041024	M24 Nyloc Nut	1	
42	22046024C	M24 Flat Washer	1	
43				
44				
45				
		Hydraulic Components Consist Of:		
51	11123	3/4"BSP Dowty Seal	3	
52	11124	1/2"BSP Dowty Seal	4	
53	11295	1/2"BSPx3/4"BSP M M Adaptor	3	
54				
55	12315	1/2"BSP M M Adaptor	4	
56				

4.7a**T3 SPARE PARTS**

Machines from 2015

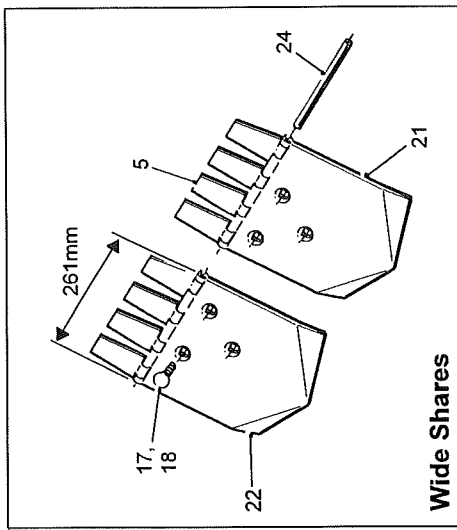
Powered Disc Coulter Assemblies

Item	Part No.	Description	Qty.	Remarks
57	26086	1/2"BSP M F Swept 90° Adaptor	1	
58				
59	27720	Variable Flow Divider	1	
60				
61	37172	1/2"BSP MMF Tee	1	
62				
63	42916	1/2"Hose Assembly (4200mm)	2	
64				
65	51140	1/2"Hose Assembly (1400mm)	1	
66				
67	60319	1/2"Hose Assembly (1250mm)	1	

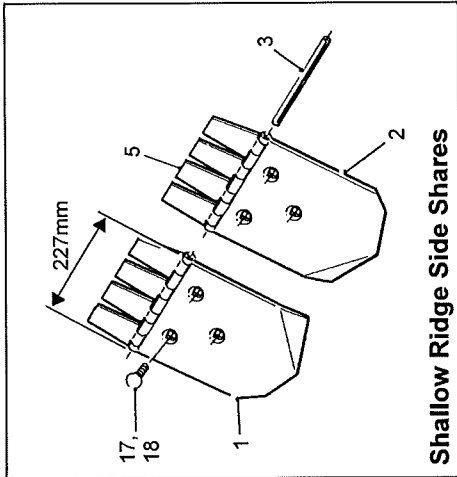
Machines from 2015

Share Assemblies

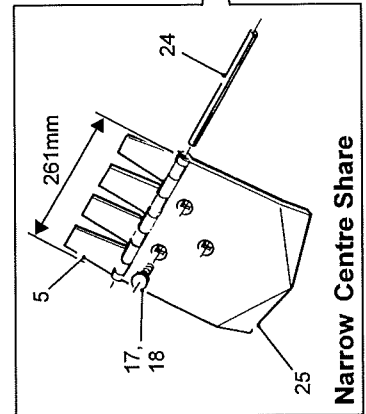
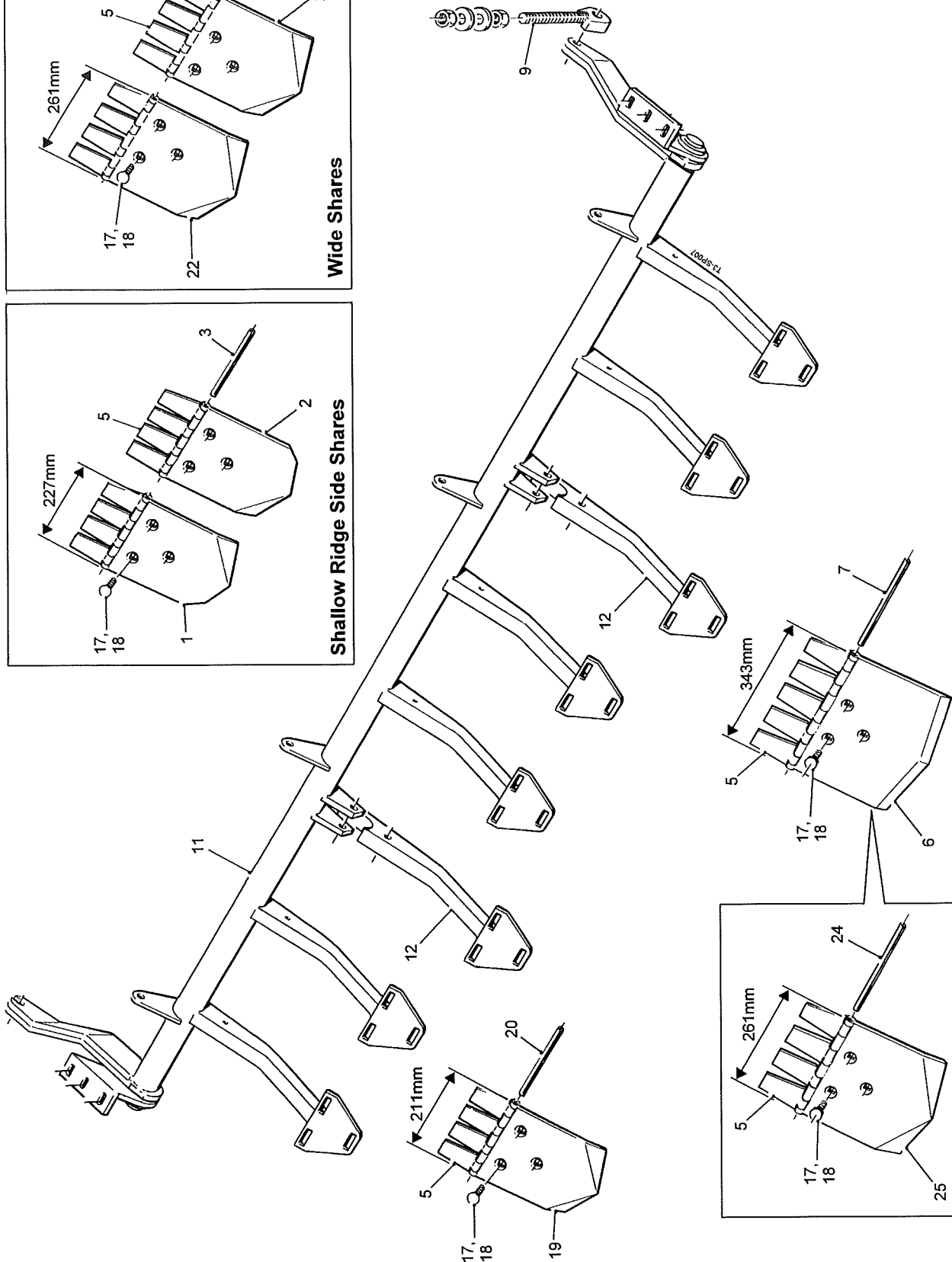
Row Work - Assy No 56007
Bed Work - Assy No 56008



Wide Shares



Shallow Ridge Side Shares



Narrow Centre Share

4.8a**T3 SPARE PARTS**

Machines from 2015

Share Assemblies

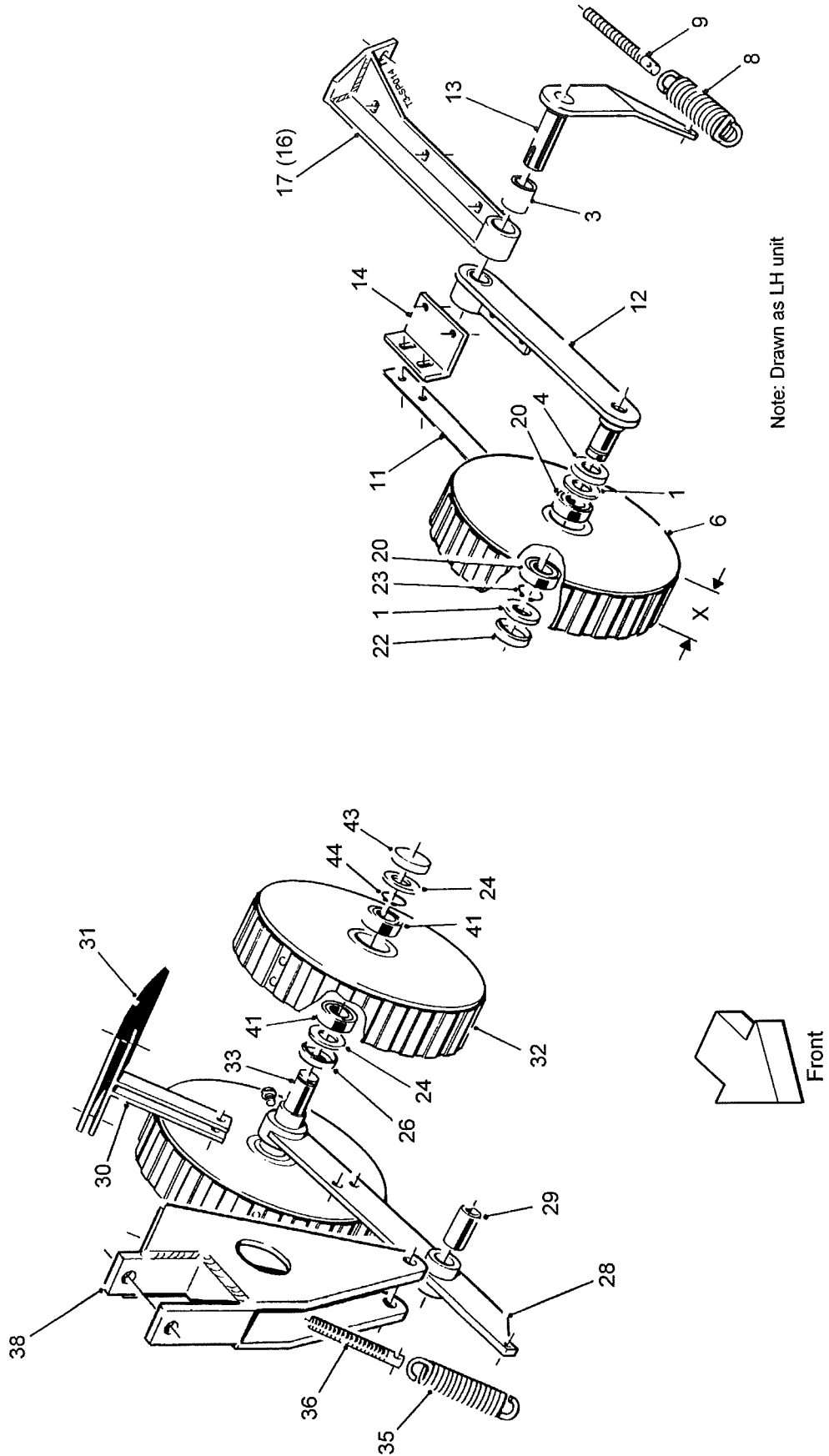
Row Work - Assy No 56007

Bed Work - Assy No 56008

Item	Part No.	Description	Qty.	Remarks
1	27880	RH Share Blade (227mm wide)	3	Option
2	27881	LH Share Blade (227mm wide)	3	Option
3	27882	Pivot Bar	6	
4				
5	42808	Tip Plate	24	Row work only
	42808	Tip Plate	34	Bed work only
6	42918	Centre Share Blade (343mm wide)	2	Bed work only
7	42936	Pivot Bar	2	Bed work only
8				
9	56645	Adjuster	2	
10				
11	56113	Share Bar	1	
12	56114	Bolt-in Centre Share Arm	2	Bed work only
13				
14				
15				
16				
17	22041012	M12 Nyloc Nut	18	Row work only
	22041012	M12 Nyloc Nut	24	Bed work only
18	22083012/035	M12x35 Plough Bolt	18	Row work only
	22083012/035	M12x35 Plough Bolt	24	Bed work only
19	44362	Standard Share (211mm wide)	6	(narrow dig)
20	44861	Pivot Bar	6	
21	46983	LH Wide Share (261mm wide)	a/r	Option (wide dig)
22	46984	RH Wide Share (261mm wide)	a/r	Option (wide dig)
23				
24	56749	Pivot Bar	a/r	Option
25	56849	Centre Share Blade (261mm wide)	2	Bed work only

Machines from 2015

Haulm Intake Roller Assemblies



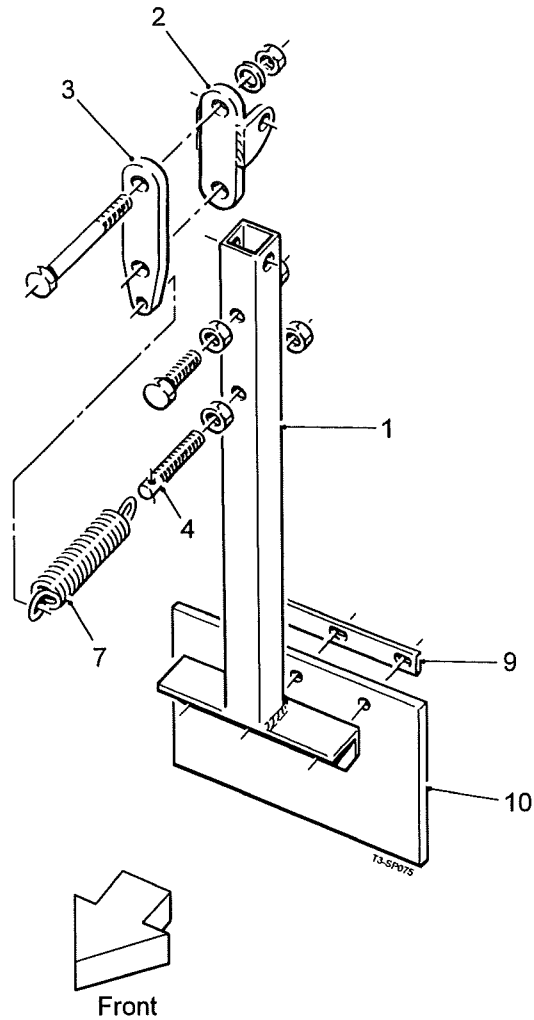
Machines from 2015

Haulm Intake Roller Assemblies

Item	Part No.	Description	Qty.	Remarks
1	000030054	Felt Seal	4	
2				
3	12122	Oilite Bush	4	
4	12514	Inner Plastic Seal	2	
5				
6	27483	Haulm Intake Roller (X = 60mm)	2	
	27987R	Haulm Intake Roller (X = 30mm)	2	
7				
8	42679	Tension Spring	2	
9	42889	Spring Tensioner	2	
10				
11	46409	Scraper	2	
12	46411	Haulm Roller Arm	2	Used with 60mm wide roller
	46410	Haulm Roller Arm	2	Used with 30mm wide roller
13	46413	Haulm Roller Pivot Arm	2	
14	46415	Scraper Mounting Bracket	2	Used with 60mm wide roller
	46414	Scraper Mounting Bracket	2	Used with 30mm wide roller
15				
16	56297	RH Roller Mounting	1	(not shown)
17	56298	LH Roller Mounting	1	
18				
19				
20	6005RS	Bearing	4	
21				
22	PH407/1	Plastic Cap	2	
23	PS843	Ø25 External Circlip	2	
		Additional Components for Row Work Consist Of:		
24	0000300504	Felt Seal	8	
25				
26	12514	Inner Plastic Seal	4	
27				
28	27476	Pivot Arm	2	
29	27477	Pivot Arm Spacer	2	
30	27479	Rubber Flap Support Bracket	2	
31	27480	Rubber Flap	2	
32	27483	Haulm Intake Roller (60mm wide)	4	
33	27486	Roller Shaft	2	
34				
35	42679	Tension Spring	2	
36	42889	Spring Tensioner	2	
37				
38	56299	Centre Roller Mounting	2	
39				
40				
41	6005RS	Bearing	8	
42				
43	PH407/1	Plastic Cap	4	
44	PS843	Ø25 External Circlip	4	

Machines from 2015

Inner Anti Roll-back Flaps
Assy No 56050



4.10a**T3 SPARE PARTS**

Machines from 2015

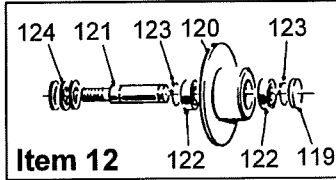
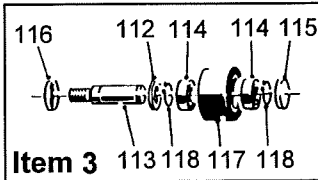
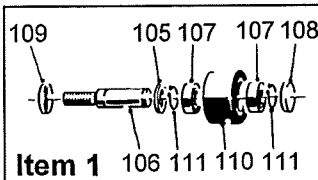
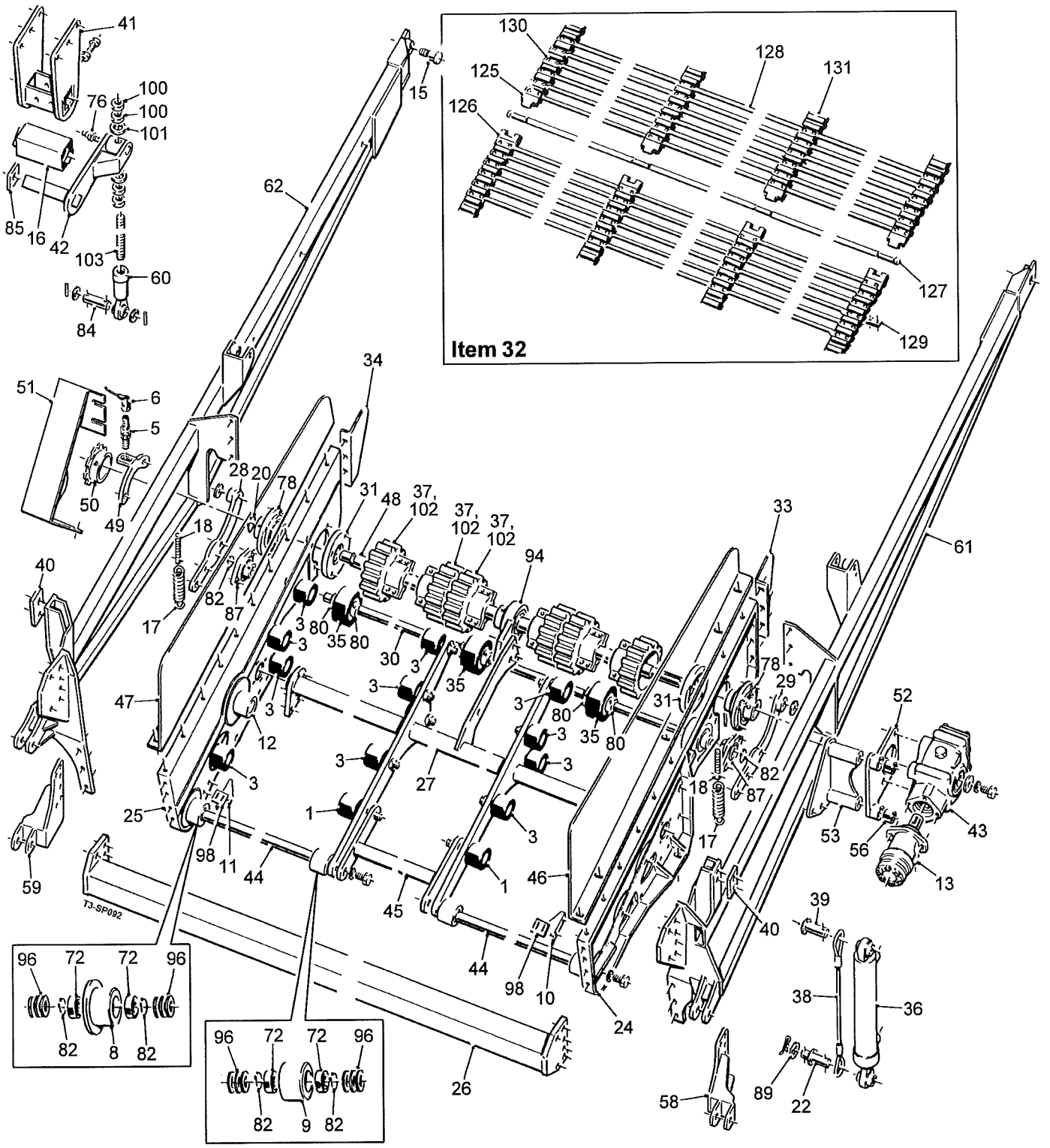
Inner Anti Roll-back Flaps

Assy No 56050

Item	Part No.	Description	Qty.	Remarks
1	56768	Defector Arm	2	
2	56769	Pivot Bracket	2	
3	56770	Clamp Plate	2	
4	56771	Adjuster	2	
5				
6				
7	RP71	Tension Spring	2	
8				
9	RPM256.306921	Clamp Strip	2	
10	RPC730.303149	Ruber Flap	2	

Machines from 2015

Digger Web Assembly Assy No 56011



4.11a

T3 SPARE PARTS

Machines from 2015

Digger Web Assembly

Assy No 56011

Item	Part No.	Description	Qty.	Remarks
1	11568	Roller Assembly	2	(see list at end)
2				
3	19356	Roller Assembly	16	(see list at end)
4				
5	32037/1	Proximity Sensor	1	
6	32037/4	Sensor Cable (10m)	1	
7				
8	37290	Flanged Steel Roller	2	
9	37307	Plain Steel Roller	2	
10	37309	LH Scraper Support	1	
11	37310	RH Scraper Support	1	
12	37316	Roller Assembly	2	(see list at end)
13	37897	Hydraulic Motor (100cc)	1	
14				
15	42043	Digger Pivot Pin	2	
16	42054	Mounting Bush	2	
17	42679	Tension Spring	2	
18	42800	Spring Tensioner	2	
19				
20	44176	Ø60 External Circlip	1	
21				
22	51037	Ram Pin	2	
23				
24	56103	Side Panel LH	1	
25	56104	Side Panel RH	1	
26	56105	Bridge Beam	1	
27	56106	Support Frame	1	
28	56109	Tension Arm LH	1	
29	56110	Tension Arm RH	1	
30	56111	Roller Shaft	1	
31	56115	Bearing Plate	2	
32	56155	36mm Pitch Digger Web Assembly	1	(see list at end)
33	56186	Deflector Panel LH	1	
34	56187	Deflector Panel RH	1	
35	56226	Tension Roller	4	
36	56276	Hydraulic Ram	2	
37	56397	36mm Pitch Drive Sprocket	6	
38	56428	Transport Cable	2	
39	56502	Ram Pin	2	
40	56503	Nylon Wear Plate	2	
41	56630	Suspension Mounting	2	
42	56631	Suspension Arm	2	
43	56640	Gearbox	1	
44	56643	Roller Tie Bar	2	
45	56644	Centre Tie	1	
46	56646	Web Side Extension LH	1	Used with haulm intake rollers
	56721	Web Side Extension LH	1	Used without haulm intake rollers
47	56647	Web Side Extension RH	1	Used with haulm intake rollers
	56722	Web Side Extension RH	1	Used without haulm intake rollers
48	56835	Drive Shaft	1	
49	56898	Sensor Bracket	1	

T3 SPARE PARTS**4.11b**

Machines from 2015

Digger Web Assembly**Assy No 56011**

Item	Part No.	Description	Qty.	Remarks
50	56899	Sensor Disc	1	
51	56916	Sensor Shield	1	
52	56922	Gearbox Mounting Plate	1	
53	56928	Gearbox Mounting Bracket	2	
54				
55				
56	59680	Rubber Bush	2	
57				
58	63014	Suspension Link Bracket LH	1	
59	63015	Suspension Link Bracket RH	1	
60	63016	Suspension Link	2	
61	63116	Side Beam LH	1	
62	63117	Side Beam RH	1	
63				
64				
65				
66				
67				
68				
69				
70				
71				
72	6006RS	Bearing	8	
73				
74				
75				
76	GS412	1/8" BSP Grease Nipple	2	
77				
78	MFC60	Bearing	2	
79				
80	PS326M	Locking Collar	8	
81				
82	RH56	Ø30 External Circlip	10	
83				
84	RPM146.311400	Pivot Pin	2	
85	RPM152.303434	Retainer	2	
86				
87	SFT30A	Bearing	2	
88				
89	SS060026/003	Steel Spacer	2	
90				
91				
92				
93				
94	UCFB212	Bearing	1	
95				
96	Z006	Sealing Ring	24	
97				
98	0000400103	Scraper Blade	2	
99				
100	22029024	M24 Full Nut	8	
101	22046024	M24 Flat Washer	4	
102	22062018/115	RBE Key	6	
103	22106024/700	M24 Threaded Rod	2	
104				

4.11c

T3 SPARE PARTS

Machines from 2015

Digger Web Assembly

Assy No 56011

Item	Part No.	Description	Qty.	Remarks
	11568	Roller Assembly Consists Of:		
105	0000300504	Felt Seal	1	
106	PH406AM	Spindle	1	
107	6005RS	Bearing	2	
108	PH407	Seal	1	
109	PH408	Seal	1	
110	PH77AR	Plain Roller	1	
111	PS843	Circlip	2	
	19356	Roller Assembly Consists Of:		
112	0000300504	Felt Seal	1	
113	11265	Spindle	1	
114	6005RS	Bearing	2	
115	PH407	Seal	1	
116	PH408	Seal	1	
117	PH77AR	Plain Roller	1	
118	PS843	Circlip	2	
	37316	Roller Assembly Consists Of:		
119	0000300202	Dust Cover	1	
120	37291	Flanged Steel Roller	1	
121	37313	Spindle	1	
122	6006	Bearing	2	
123	RH56	Circlip	2	
124	Z006	Sealing Ring	3	
	56155	36mm Pitch Web Assembly Consists Of:		
125	56155/1	Male Joining Clip	4	
126	56155/2	Female Joining Clip	4	
127	56155/3	Joining Rod	1	
128	56155/4	Ø11 Web Bar	82	
129	-	62x15x3 Rivet Plate	328	
130	-	Ø6 Rivet	656	
131	-	Web Belt	4	

4.12a**T3 SPARE PARTS**

Machines from 2015

Sieving Web Assembly

Assy No 56013

Item	Part No.	Description	Qty.	Remarks
1	12506	Roller Assembly	2	
2				
3	19356	Roller Assembly	8	
4	33130/16	Ø50 External Circlip	3	
5	37316	Roller Assembly	4	
6				
7	56826	Roller Spindle	2	
8	44168	Spacer	4	
9	44176	Ø60 External Circlip	1	
10	56829	Nylon Roller	2	
11	59360	Hydraulic Ram	2	
12	59363	Ram Pin	2	
13	51261	Hydraulic Motor	1	
14	51351	Motor Mounting Plate	1	
15	51352	30T Motor Gear	1	
16	51354	45T Assister Shaft Gear	1	
17	51395	58T Gear	4	
18	51517	Plate Adjuster	2	
19	51597	Stone Deflector	2	
20	51137	1/8"GF-1/4"UNF Adaptor	2	
21	51669	Bearing Adaptor	2	
22	56115	Bearing Plate	2	
23	59494	Ram Pin	2	
24	56154	Motor Plate Spacer	3	
25	56157	LH Side Panel	1	
26	56158	RH Side Panel	1	
27	56168	Support Roller Frame	1	
28	56622	Web Side Tie	1	
29	56185	Motor Mounting Plate	2	
30	56188	Agitator Shaft	4	
31	56189	Roller	16	
32	56190	Eccentric Hub	16	
33	56191	Ø70 External Circlip	16	
34	59198	Lift Arm Bearing Spigot	2	
35	56830	Support Arm	2	
36	56194	LH Rear Deflector Panel	1	
37	56195	RH Rear Deflector Panel	1	
38	56210	Main Drive Shaft	1	
39	56211	Assister Drive Shaft	1	
40	56212	Scraper Plate	2	
41	56213	RH Scraper	1	
42	56214	LH Scraper	1	
43	56215	Centre Scraper	1	
44	56216	45T Main Shaft Gear	1	
45	56217	Scraper Bar	1	
46	56223	Washer	32	
47	56224	115T Gear	2	
48	TH00851021	Hydraulic Motor	2	
49	56377	Nylon Bush	2	
50	56834	Lift Shaft	1	
51	56833	Lift Shaft Arm	1	
52	56831	Radius Arm	2	
53	56832	Web Gap Pivot Boss	2	
54	56741	Web Infill Panel	2	
55	59206	Top Hat Spacer	4	

T3 SPARE PARTS

4.12b

Machines from 2015

Sieving Web Assembly

Assy No 56013

Item	Part No.	Description	Qty.	Remarks
56	56395	Bearing Support Plate	1	
57	56430	LH Guard	1	
58	56431	RH Guard	1	
59	56521	LH Sideplate	1	
60	56522	RH Sideplate	1	
61	56717	36mm Pitch Sieving Web Assembly	1	(see list at end)
	56156	40mm Pitch Sieving Web Assembly	1	(see list at end)
	56402	45mm Pitch Sieving Web Assembly	1	(see list at end)
	56319	50mm Pitch Sieving Web Assembly	1	(see list at end)
62	51670	Straight Connector	2	
63	51668	Grease Nipple Mounting Plate	1	
64	51671/350	Tube (350mm)	2	
65	59215	Motor Valve c/w 'O'rings	2	
66	22018008/010	M8 Grub Screw	16	
67	SCH40	Bearing	2	
68	60102RS	Bearing	1	
69	6014RS	Bearing	32	
70	62042RS	Bearing	2	
71	DW255015521	Bearing	4	
72	SS050013/005	Steel Spacer	2	
73	GS411	1/8" BSP Angled Grease Nipple	2	
74	GS412	1/8" BSP Straight Grease Nipple	2	
75	MFC60	Bearing	4	
76	SS080011/010	Steel Spacer	2	
77	SFT40	Bearing	8	
78	SS080036/004	Steel Spacer	2	
79	W0161	Ø80 External Circlip	1	
80				
81	32037/1	Proximity Sensor	2	
82	32037/2	Sensor Cable (5m)	2	
83				
84	56898	Sensor Bracket	1	
85	56899	Sensor Disc	1	
86	56900	Sensor Bracket	1	
87				
88	59276	Sensor Disc	1	
	12506	Roller Assembly Consists Of:		
89	0000300504	Felt Seal	1	
90	11265	Spindle	1	
91	6005RS	Bearing	2	
92	PH407	Seal	1	
93	PH408	Seal	1	
94	PH51AR	Flanged Roller	1	
95	PS843	Circlip	2	
	19356	Roller Assembly Consists Of:		
96	0000300504	Felt Seal	1	
97	11265	Spindle	1	
98	6005RS	Bearing	2	
99	PH407	Seal	1	
100	PH408	Seal	1	
101	PH77AR	Plain Roller	1	
102	PS843	Circlip	2	

Machines from 2015

Sieving Web Assembly

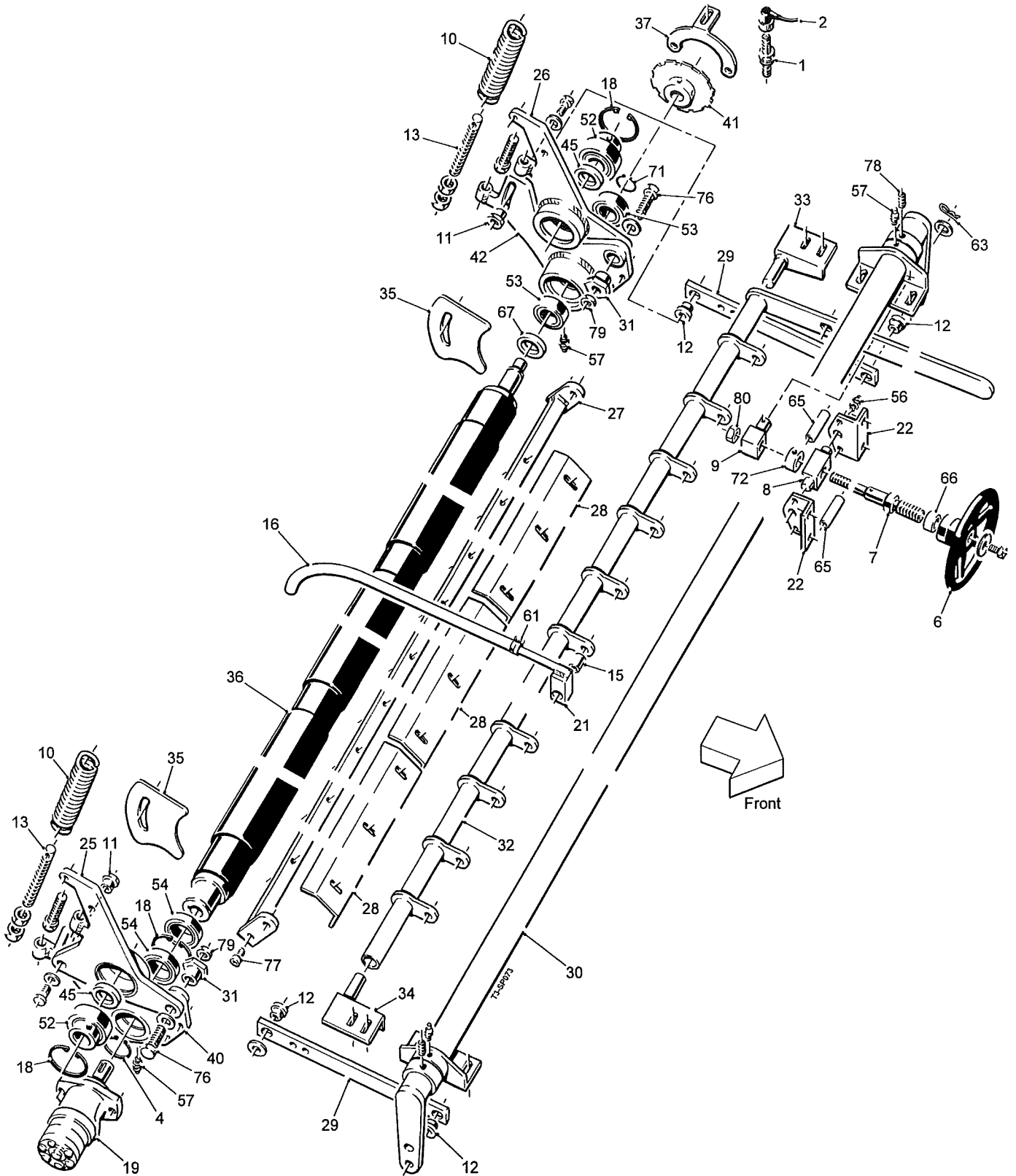
Assy No 56013

Item	Part No.	Description	Qty.	Remarks
	37316	Roller Assembly Consists Of:		
103	0000300202	Dust Cover	1	
104	37291	Flanged Steel Roller	1	
105	37313	Spindle	1	
106	6006	Bearing	2	
107	RH56	Circlip	2	
108	Z006	Sealing Ring	3	
	56717	36mm Pitch Sieving Web Assembly Consists Of:		
109	56155/3	Joining Rod	1	
110	56155/4	Web Bar	183	
111	56155/1	Male Joining Clip	4	
112	56155/2	Female Joining Clip	4	
113	46847/4	56x13x3 Rivet Plate	732	
114	RPF240.160250	Ø6x25 Rivet	1464	
115	-	Web Belt	4	
116	RPF240.160300	Ø6x30 Rivet	16	
	56156	40mm Pitch Sieving Web Assembly Consists Of:		
109	56155/3	Joining Rod	1	
110	56155/4	Web Bar	165	
111	56156/1	Male Joining Clip	4	
112	56156/2	Female Joining Clip	4	
113	46847/4	56x13x3 Rivet Plate	660	
114	RPF240.160250	Ø6x25 Rivet	1320	
115	-	Web Belt	4	
116	RPF240.160300	Ø6x30 Rivet	16	
	56402	45mm Pitch Sieving Web Assembly Consists Of:		
109	56155/3	Joining Rod	1	
110	56155/4	Web Bar	146	
111	56402/1	Male Joining Clip	4	
112	56402/2	Female Joining Clip	4	
113	46847/4	56x13x3 Rivet Plate	584	
114	RPF240.160250	Ø6x25 Rivet	1168	
115	-	Web Belt	4	
116	RPF240.160300	Ø6x30 Rivet	16	
	56319	50mm Pitch Sieving Web Assembly Consists Of:		
109	56155/3	Joining Rod	1	
110	56155/4	Web Bar	132	
111	56319/1	Male Joining Clip	4	
112	56319/2	Female Joining Clip	4	
113	46847/4	56x13x3 Rivet Plate	528	
114	RPF240.160250	Ø6 Rivet	1056	
115	-	Web Belt	4	
116	RPF240.160300	Ø6x30 Rivet	16	

Machines from 2015

Haulm Roller Assembly

Assy No 56014



4.13a

T3 SPARE PARTS

Machines from 2015

Haulm Roller Assembly

Assy No 56014

Item	Part No.	Description	Qty.	Remarks
1	32037/1	Proximity Sensor	1	
2	32037/2	Sensor Cable (5m)	1	
3				
4	33130/16	Ø50 External Circlip	1	
5				
6	42109	Depth Wheel	1	
7	42127	Screw Adjuster	1	
8	42137	Adjuster Screw Trunnion	1	
9	42141	Trunnion	1	
10	42679	Tension Spring	2	
11	42778	Guide Bush	2	
12	42781	Pivot Bush	4	
13	42800	Spring Tensioner	2	
14				
15	44122	Pivot Boss	13	
16	44159	Plastic Cover	13	
17				
18	46564	Ø90 Internal Circlip	3	
19	46855	Hydraulic Motor	1	
20				
21	51052	Haulm Finger	13	
22	51514	Adjuster Angle	2	
23				
24				
25	56201	RH Support Bracket	1	
26	56202	LH Support Bracket	1	
27	56205	Scraper Mounting	1	
28	56206	Scraper Blade	3	
29	56207	Adjuster Link	2	
30	56208	Adjuster Shaft	1	
31	56209	Pivot Boss	2	
32	56220	Haulm Finger Mounting	1	
33	56221	LH Mounting Bracket	1	
34	56222	RH Mounting Bracket	1	
35	56399	Filler Plate	2	
36	56828	Haulm Roller	1	
37	56901	Sensor Bracket	1	
38				
39				
40	59115	RH Mounting Plate	1	
41	59151	Sensor Disc	1	
42	59269	LH Mounting Plate	1	
43				
44				
45	64073	Bearing Spacer	2	
46				
47				
48				
49				
50				
51				
52	1150-50	Bearing	2	
53	6207RS	Bearing	2	
54	6210RS	Bearing	2	
55				

T3 SPARE PARTS**4.13b**

Machines from 2015

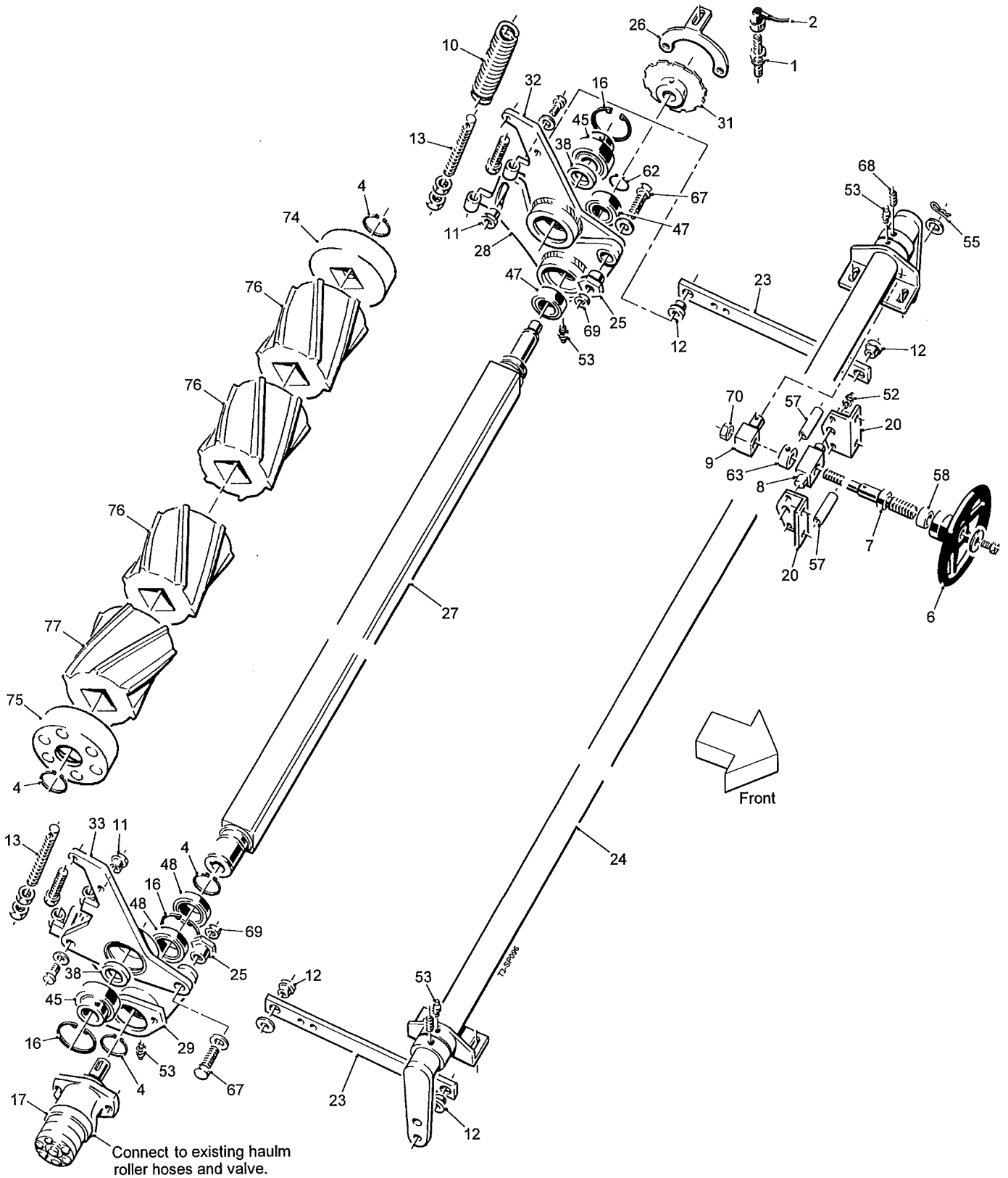
Haulm Roller Assembly**Assy No 56014**

Item	Part No.	Description	Qty.	Remarks
56	GS411	1/8" BSP Angled Grease Nipple	1	
57	GS412	1/8" BSP Straight Grease Nipple	4	
58				
59				
60				
61	RPVLD2512	Ø13-20mm Jubilee Clip	13	
62				
63	S86-82-002	Ø3 R'Clip	1	
64				
65	SS016011/053	Steel Spacer	2	
66	SS030025/022	Steel Spacer	1	
67	SS045036/008	Steel Spacer	1	
68				
69				
70				
71	W0118	Ø35 External Circlip	1	
72	W0679	Locking Collar	1	
73				
74				
75				
76	22011020/070	M20 Setscrew	2	
77	22015016/045	M16x45mm Socket Head Cap Screw	2	
78	22018010/010	M10x10 Grub Screw	2	
79	22034020	M20 Half Nut	2	
80	22041016	M16 Nyloc Nut	1	



Machines from 2015

Feed Scroll Assembly Assy No 56973



5.1a

T3 SPARE PARTS

Machines from 2015

Feed Scroll Assembly

Assy No 56973

Item	Part No.	Description	Qty.	Remarks
1	32037/1	Proximity Sensor	1	
2	32037/2	Sensor Cable (5m)	1	
3				
4	33130/16	Ø50 External Circlip	4	
5				
6	42109	Depth Wheel	1	
7	42127	Screw Adjuster	1	
8	42137	Adjuster Screw Trunnion	1	
9	42141	Trunnion	1	
10	42679	Tension Spring	2	
11	42778	Guide Bush	2	
12	42781	Pivot Bush	4	
13	42800	Spring Tensioner	2	
14				
15				
16	46564	Ø90 Internal Circlip	3	
17	46855	Hydraulic Motor	1	
18				
19				
20	51514	Adjuster Angle	2	
21				
22				
23	56207	Adjuster Link	2	
24	56208	Adjuster Shaft	1	
25	56209	Pivot Boss	2	
26	56901	Sensor Bracket	1	
27	56953	Scroll Shaft	1	
28	56954	LH Mounting Plate	1	
29	56955	RH Mounting Plate	1	
30				
31	59151	Sensor Disc	1	
32	59826	LH Support Bracket	1	
33	59827	RH Support Bracket	1	
34				
35				
36				
37				
38	64073	Bearing Spacer	2	
39				
40				
41				
42				
43				
44				
45	1150-50	Bearing	2	
46				
47	6207RS	Bearing	2	
48	6210RS	Bearing	2	
49				
50				
51				
52	GS411	1/8"BSP Angled Grease Nipple	1	
53	GS412	1/8"BSP Straight Grease Nipple	4	
54				
55	S86-82-002	Ø3 R' Clip	1	

T3 SPARE PARTS**5.1b**

Machines from 2015

Feed Scroll Assembly**Assy No 56973**

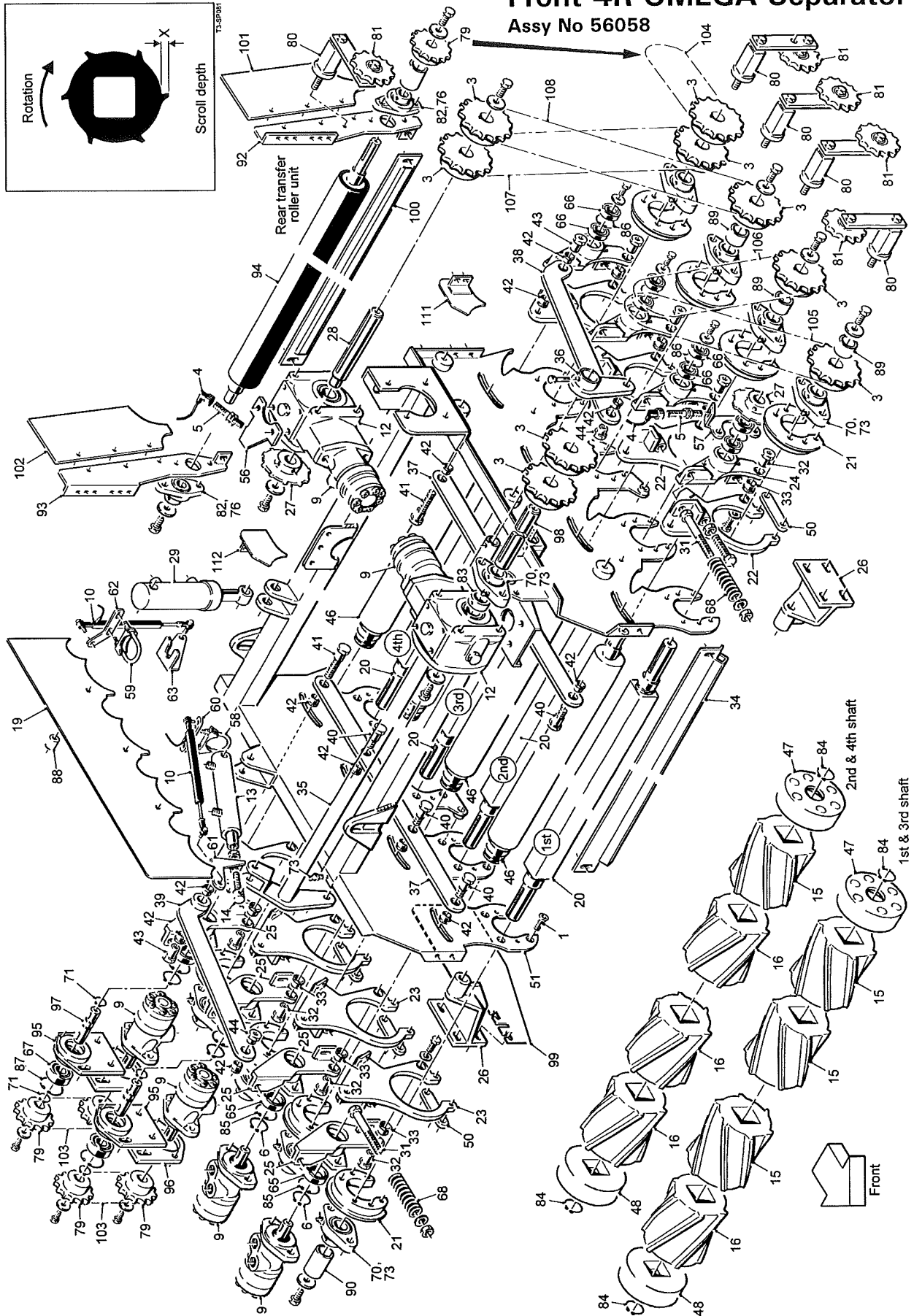
Item	Part No.	Description	Qty.	Remarks
56				
57	SS016011/053	Steel Spacer	2	
58	SS030025/022	Steel Spacer	1	
59				
60				
61				
62	W0118	Ø35 External Circlip	1	
63	W0679	Locking Collar	1	
64				
65				
66				
67	22011020/070	M20 Setscrew	2	
68	22018010/010	M10x10 Grub Screw	2	
69	22034020	M20 Half Nut	2	
70	22041016	M16 Nyloc Nut	1	
71				
72				
73				
74	59348A	Male End Cap (Ø50 bore)	1	Prior to 2015 was 59347
75	59348A	Male End Cap (Ø50 bore)	1	
76	59936S	LH Scroll (X = 6mm)	14	Prior to 2015 was 59350
77	59937S	RH Scroll (X = 6mm)	1	Prior to 2015 was 59351A



Machines from 2015

Front 4R OMEGA Separator

Assy No 56058



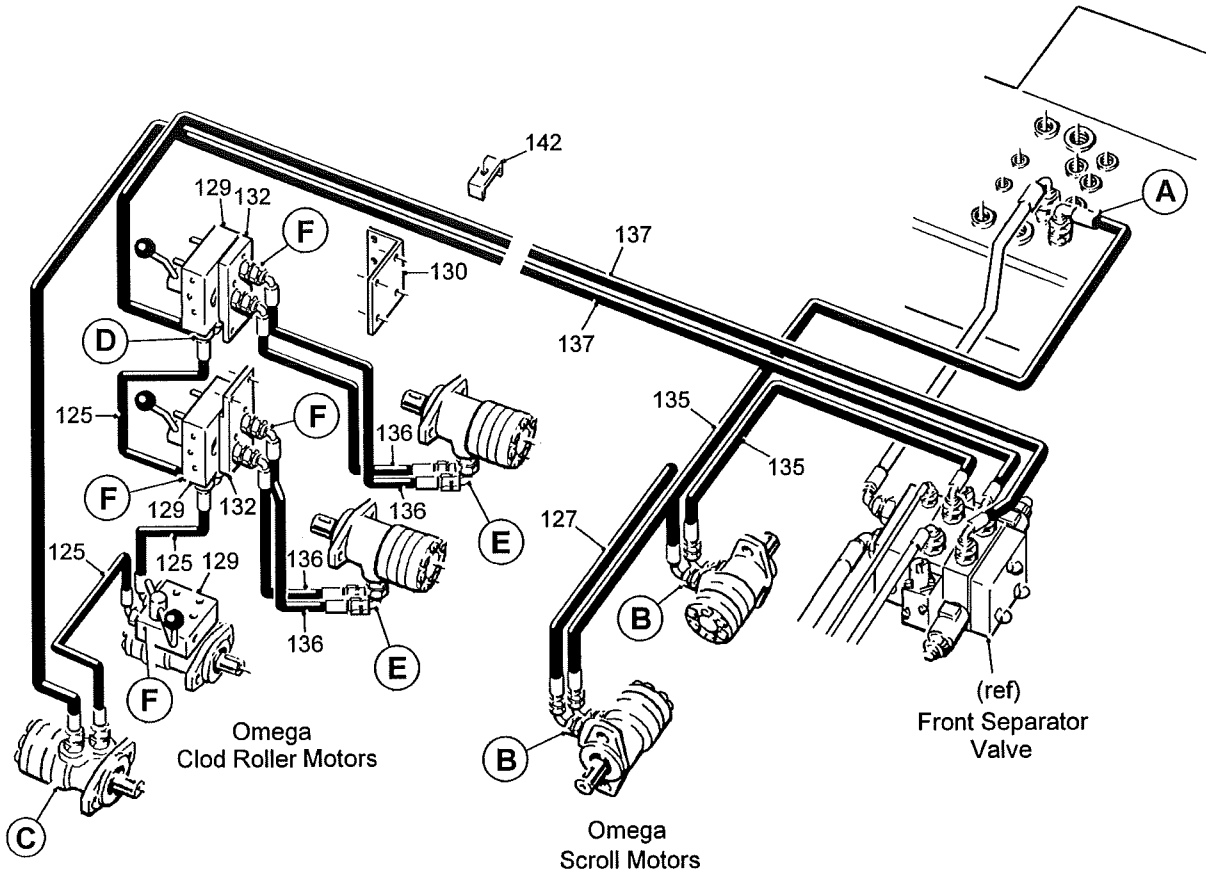
6.1a

T3 SPARE PARTS

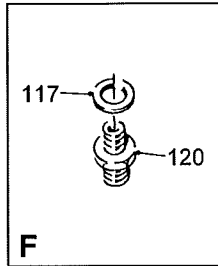
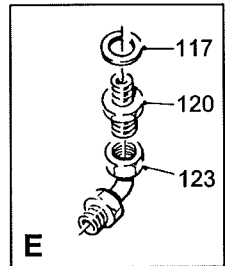
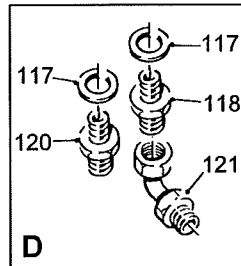
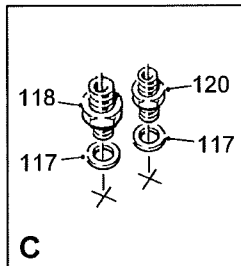
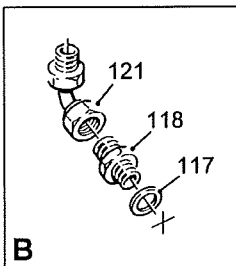
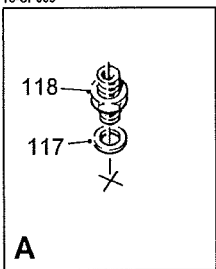
Machines from 2015

Front 4R OMEGA Separator

Assy No 56058



T3-SP089



T3 SPARE PARTS**6.1b**

Machines from 2015

Front 4R OMEGA Separator**Assy No 56058**

Item	Part No.	Description	Qty.	Remarks
1	22016010/020	M10x20 CSK Socket Head Screw	32	
2				
3	59767	23T 3/4"Pitch Sprocket	9	
4	32037/2	Sensor Cable (5m)	2	
5	32037/1	Proximity Sensor	2	
6	33130/16	Ø50 External Circlip	4	
7				
8				
9	44563	Hydraulic Motor	6	
10	55122	Sensor	2	
11				
12	56641	Gearbox Complete	2	
13	56679	Hydraulic Ram	1	
14	56690	Ram Eye	1	
15	59934S	LH Scroll (X= 10mm)	30	Prior to 2015 was 56761
	59936S	LH Scroll (X= 6mm)	30	Prior to 2015 was 59350
16	59935S	RH Scroll (X= 10mm)	30	Prior to 2015 was 56762
	59937S	RH Scroll (X= 6mm)	30	Prior to 2015 was 59351
17				
18				
19	62661	Stainless Steel Panel	2	
20	56802	Scroll Shaft	4	
21	59143	Bearing Boss	8	
22	62648	LH Carrier Plate	4	
23	62649	RH Carrier Plate	4	
24	59708	LH Clod Roller Plate	4	
25	59148	RH Clod Roller Plate	4	
26	56808	Mounting Bracket	2	
27	59151	Sensor Disc	2	
28	59152A	Gearbox Shaft	1	
29	59153B	Hydraulic Ram	2	
30				
31	22012016/140	M16x140 Bolt	8	
32	59162	Pivot Pin	8	
33	59163	Pivot Flange Bush	8	
34	59164/2600	Clod Roller Scraper	4	
35	56805	Clod Roller Lift Shaft	1	
36	59166	Clod Roller Lift Arm	1	
37	56806	Connecting Link	2	
38	59171	LH Link	1	
39	59172	RH Link	1	
40	59173	Shoulder Bolt (short)	6	
41	59174	Shoulder Bolt (long)	2	
42	59175	Pivot Flange Bush	14	
43	59176	Tapped Boss (long)	2	
44	59177	Tapped Boss (short)	2	
45				
46	59709/2600	Ø76 Ebonite Clod Roller	4	Option
	59714/2600	Ø76 Mild Steel Clod Roller	4	Option
	59715/2600	Ø73 Stainless Steel Clod Roller	4	Option
	62863/2600	Ø76 Rubber Clod Roller	4	Option
47	59348	Male End Cap (Ø45 bore)	4	Prior to 2015 was 59347
48	59348	Male End Cap (Ø45 bore)	4	
49				
50	59352	Carrier Plate Tie	8	

6.1c

T3 SPARE PARTS

Machines from 2015

Front 4R OMEGA Separator

Assy No 56058

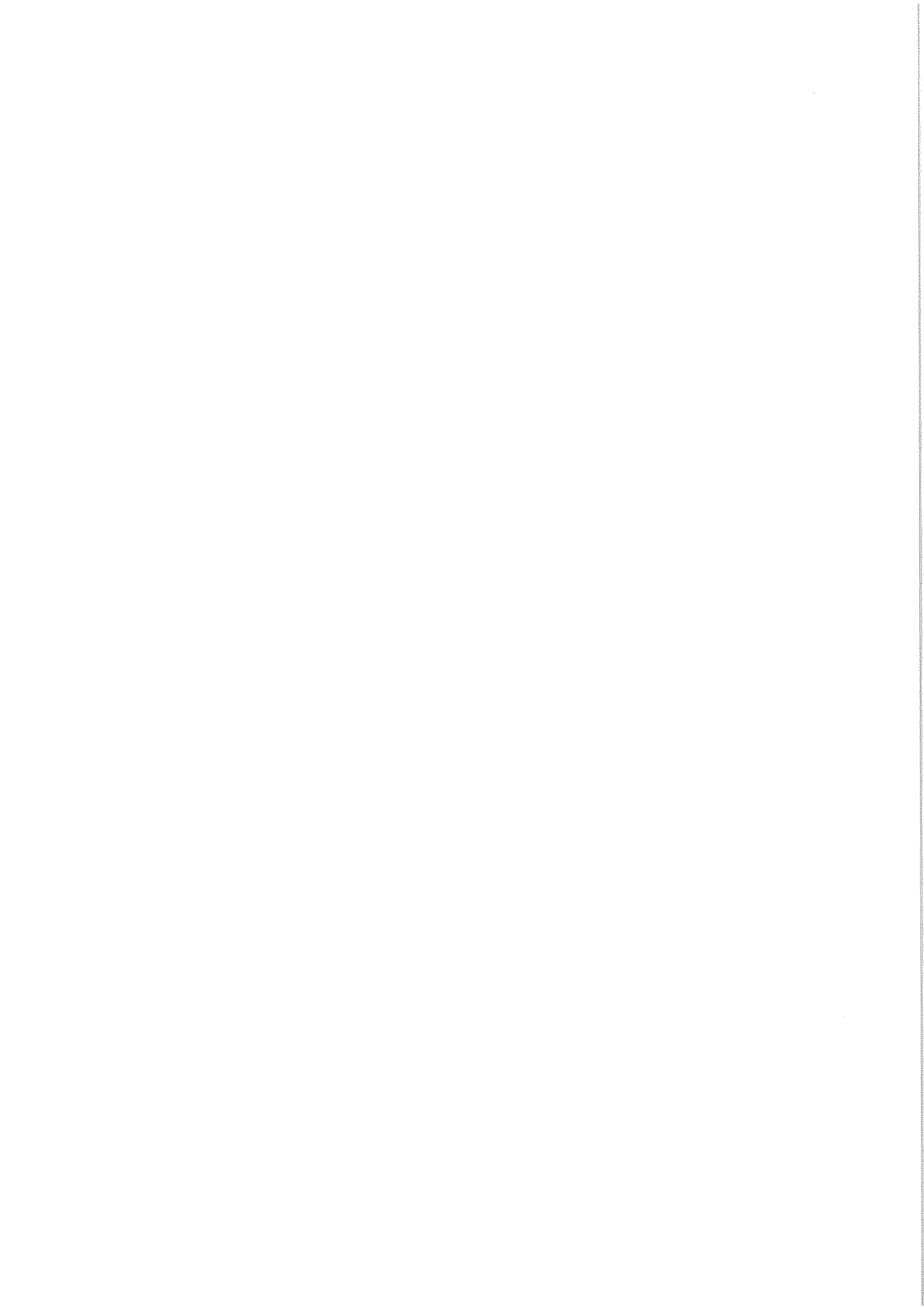
Item	Part No.	Description	Qty.	Remarks
51	56890	Omega 4 Roller Frame	1	
52				
53				
54				
55				
56	59362	Sensor Bracket	1	
57	59361B	Sensor Bracket	1	
58	59396	Ø42 Exhaust Clamp	1	
59	59397	Ø60 Exhaust Clamp	1	
60	59398	Ø42 Ram Body Bracket	1	
61	59399	Ø42 Ram Piston Bracket	1	
62	59400	Ø60 Ram Body Bracket	1	
63	59401	Ø60 Ram Piston Bracket	1	
64				
65	60102RS	Bearing	4	
66	6006RS	Bearing	8	
67	63052RS	Bearing	2	
68	DW25131	Compression Spring	8	
69				
70	LFTC35A	Bearing	8	
71	PS843	Ø25 External Circlip	4	
72				
73	RPC648.061001	Grease Nipple 45°	11	
74				
75				
76	RPC648.061002	Grease Nipple 90°	2	
77				
78				
79	RPM182.306832	15T 3/4"Pitch Sprocket	5	
80	RPS568X	Chain Tensioner Arm	5	
81	RPS569	Tensioner Sprocket Complete	5	
82	SFT25	Bearing	2	
83	SPCT131	Ø35 Locking Collar	1	
84	W0117	Ø45 External Circlip	8	
85	W0161	Ø80 Internal Circlip	4	
86	W0111	Ø55 Internal Circlip	4	
87	W0168	Ø62 Internal Circlip	2	
88	SS025011/035	Steel Spacer	6	
89	SS042036/042	Steel Spacer	3	
90	SS042036/082	Steel Spacer	4	
91				
92	56809	Transfer Roller LH Plate	1	
93	56810	Transfer Roller RH Plate	1	
94	56811	Rubbered Transfer Roller	1	
95	56814	Adaptor Plate	2	
96	56815	Motor Plate	2	
97	56816	Coupling Shaft	2	
98	56887	Gearbox Shaft	1	
99	56866	RH Drives Cover Plate	1	
100	56889	Transfer Roller Scraper	1	
101	56869	Deflector Rubber LH	1	
102	56870	Deflector Rubber RH	1	
103	RPT732.620034	3/4"Pitch Drive Chain	2	
104	RPT732.620041	3/4"Pitch Drive Chain	1	
105	RPT732.620073	3/4"Pitch Drive Chain	1	

T3 SPARE PARTS**6.1d**

Machines from 2015

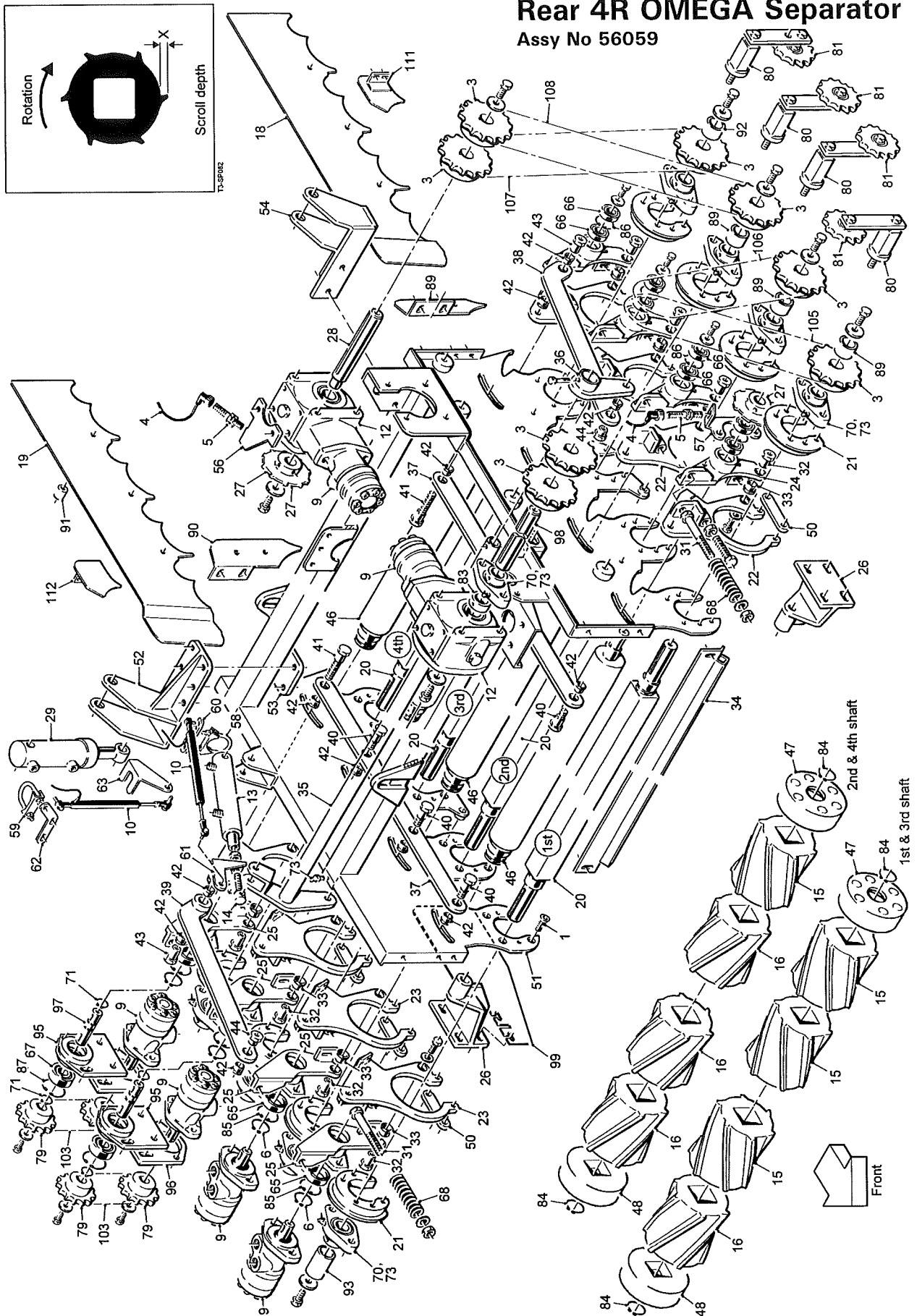
Front 4R OMEGA Separator**Assy No 56058**

Item	Part No.	Description	Qty.	Remarks
106	RPT732.620074	3/4"Pitch Drive Chain	1	
107	RPT732.620075	3/4"Pitch Drive Chain	1	
108	RPT732.620075	3/4"Pitch Drive Chain	1	
109				
110				
111	62652	LH Deflector Plate (short)	4	
112	62653	RH Deflector Plate (short)	4	
113				
114				
115				
116				
		Hydraulic Components Consist Of:		
117	11124	1/2"BSP Dowty Seal	21	
118	11295	1/2"BSPx3/4"BSP M M Adaptor	7	
119				
120	12315	1/2"BSP M M Adaptor	14	
121	12350	3/4"BSP M F Swept 90°Adaptor	3	
122				
123	26086	1/2"BSP M F Swept 90°Adaptor	4	
124				
125	31103	1/2"Hose Assembly (550mm)	3	
126				
127	41182	3/4"Hose Assembly (600mm)	1	
128				
129	56112	Diverter Valve	3	
130	56867	Valve Mounting Plate	1	
131				
132	59280	Valve Base	2	
133				
134				
135	60362	3/4"Hose Assembly (800mm)	2	
136	60593	1/2"Hose Assembly (800mm)	4	
137	60700	3/4"Hose Assembly (4500mm)	2	
138				
139				
140				
141				
142	62966	Hose Clamp	3	



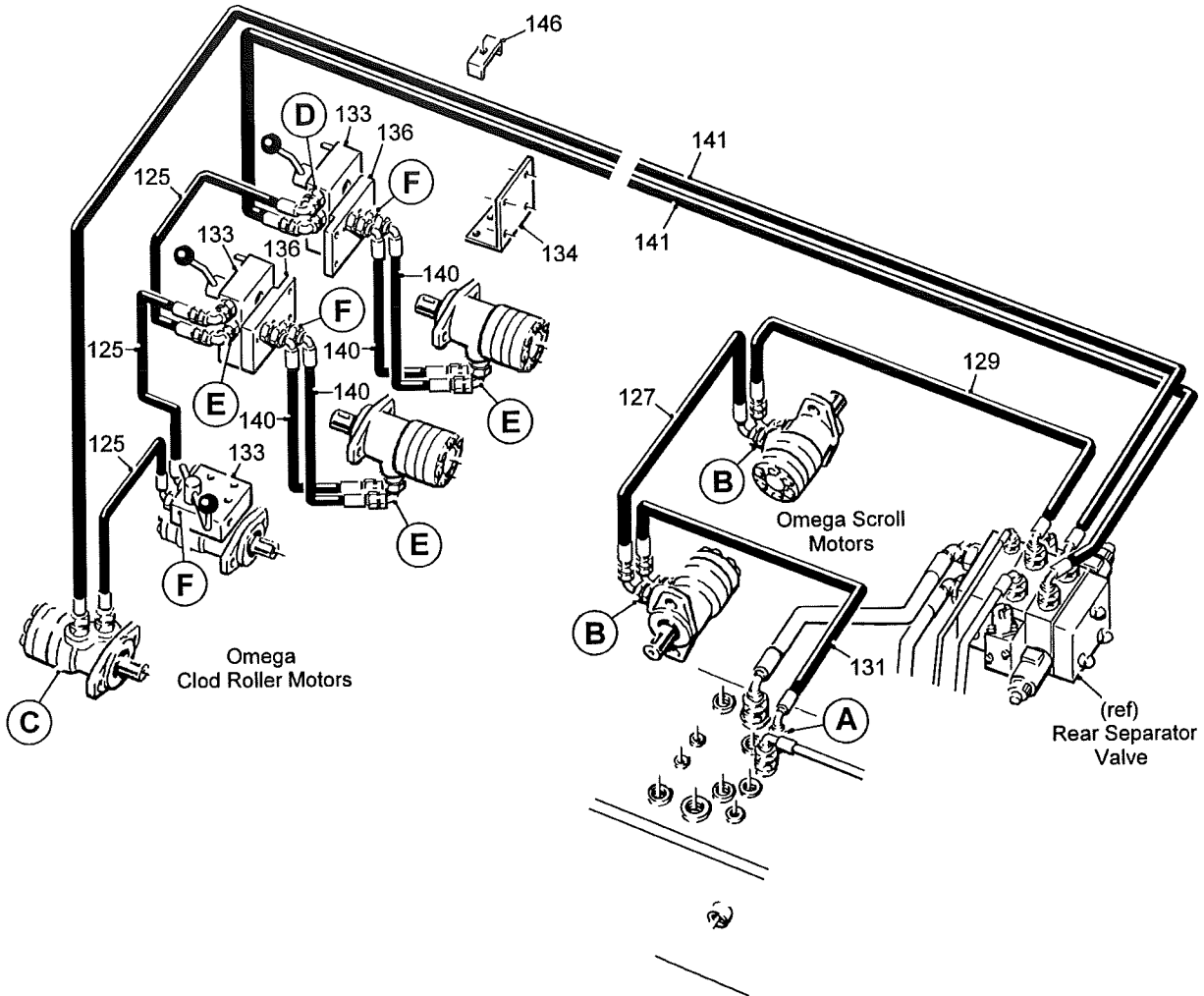
Machines from 2015

Rear 4R OMEGA Separator Assy No 56059

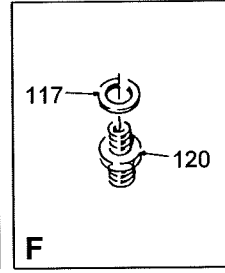
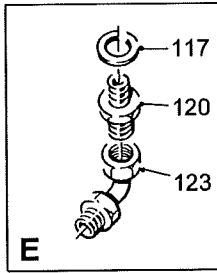
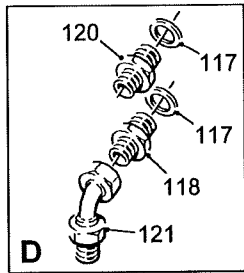
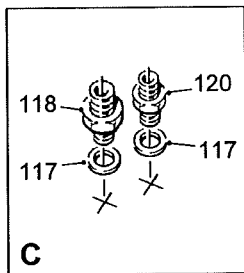
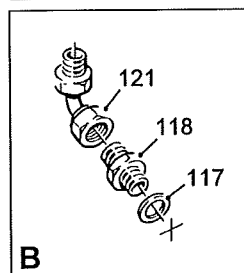
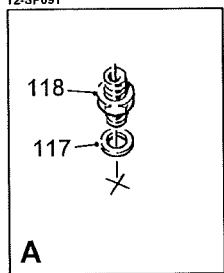


Machines from 2015

Rear 4R OMEGA Separator
Assy No 56059



T2-SP091



T3 SPARE PARTS

6.2b

Machines from 2015

Rear 4R OMEGA Separator

Assy No 56059

Item	Part No.	Description	Qty.	Remarks
1	22016010/020	M10x20 CSK Socket Head Screw	32	
2				
3	59767	23T 3/4"Pitch Sprocket	8	
4	32037/2	Sensor Cable (5m)	2	
5	32037/1	Proximity Sensor	2	
6	33130/16	Ø50 External Circlip		
7				
8				
9	44563	Hydraulic Motor	6	
10	55122	Sensor	2	
11				
12	56641	Gearbox Complete	2	
13	56679	Hydraulic Ram	1	
14	56690	Ram Eye	1	
15	59934S	LH Scroll (X= 10mm)	30	Prior to 2015 was 56761
	59936S	LH Scroll (X= 6mm)	30	Prior to 2015 was 59350
16	59935S	RH Scroll (X= 10mm)	30	Prior to 2015 was 56762
	59937S	RH Scroll (X= 6mm)	30	Prior to 2015 was 59351
17				
18	62662	LH Stainless Steel Panel	1	
19	62663	RH Stainless Steel Panel	1	
20	56802	Scroll Shaft	4	
21	59143	Bearing Boss	8	
22	62648	LH Carrier Plate	4	
23	62649	RH Carrier Plate	4	
24	59708	LH Clod Roller Plate	4	
25	59148	RH Clod Roller Plate	4	
26	56808	Mounting Bracket	2	
27	59151	Sensor Disc	2	
28	59152A	Gearbox Shaft	1	
29	59153	Hydraulic Ram	2	
30				
31	22012016/140	M16x140 Bolt	8	
32	59162	Pivot Pin	8	
33	59163	Pivot Flange Bush	8	
34	59164/2600	Clod Roller Scraper	4	
35	56805	Clod Roller Lift Shaft	1	
36	59166	Clod Roller Lift Arm	1	
37	56806	Connecting Link	2	
38	59171	LH Link	1	
39	59172	RH Link	1	
40	59173	Shoulder Bolt (short)	6	
41	59174	Shoulder Bolt (long)	2	
42	59175	Pivot Flange Bush	14	
43	59176	Tapped Boss (long)	2	
44	59177	Tapped Boss (short)	2	
45				
46	59709/2600	Ø76 Ebonite Clod Roller	4	Option
	59714/2600	Ø76 Mild Steel Clod Roller	4	Option
	59715/2600	Ø73 Stainless Steel Clod Roller	4	Option
	62863/2600	Ø76 Rubber Clod Roller	4	Option
47	59348	Male End Cap (Ø45 bore)	4	Prior to 2015 was 59347
48	59348	Male End Cap (Ø45 bore)	4	
49				
50	59352	Carrier Plate Tie	8	

Machines from 2015

Rear 4R OMEGA Separator

Assy No 56059

Item	Part No.	Description	Qty.	Remarks
51	56801	Omega 4 Roller Frame	1	
52	56891	RH Ram Bracket	1	
53	59355	Ram Bracket Clamp	1	
54	56892	LH Ram Bracket	1	
55				
56	59362	Sensor Bracket	1	
57	59361B	Sensor Bracket	1	
58	59396	Ø42 Exhaust Clamp	1	
59	59397	Ø60 Exhaust Clamp	1	
60	59398	Ø42 Ram Body Bracket	1	
61	59399	Ø42 Ram Piston Bracket	1	
62	59400	Ø60 Ram Body Bracket	1	
63	59401	Ø60 Ram Piston Bracket	1	
64				
65	60102RS	Bearing	4	
66	6006RS	Bearing	8	
67	63052RS	Bearing	2	
68	DW25131	Compression Spring	8	
69				
70	LFTC35A	Bearing	9	
71	PS843	Ø25 External Circlip	4	
72				
73	RPC648.061001	Grease Nipple 45°	11	
74				
75				
76				
77				
78				
79	RPM182.306832	15T 3/4"Pitch Sprocket	4	
80	RPS568X	Chain Tensioner Arm	4	
81	RPS569	Tensioner Sprocket Complete	4	
82				
83	SPCT131	Ø35 Locking Collar	1	
84	W0117	Ø45 External Circlip	8	
85	W0161	Ø80 Internal Circlip	4	
86	W0111	Ø55 Internal Circlip	4	
87	W0168	Ø62 Internal Circlip	2	
88				
89	59481	LH Deflector	1	
90	59482	RH Deflector	1	
91	SS025011/035	Steel Spacer	6	
92	SS042036/042	Steel Spacer	4	
93	SS042036/082	Steel Spacer	4	
94				
95	56814	Adaptor Plate	2	
96	56815	Motor Plate	2	
97	56816	Coupling Shaft	2	
98	56887	Gearbox Shaft	1	
99	56865	RH Drives Cover Plate	1	
100				
101				
102				
103	RPT732.620034	3/4"Pitch Drive Chain	2	
104				
105	RPT732.620073	3/4"Pitch Drive Chain	1	

T3 SPARE PARTS

6.2d

Machines from 2015

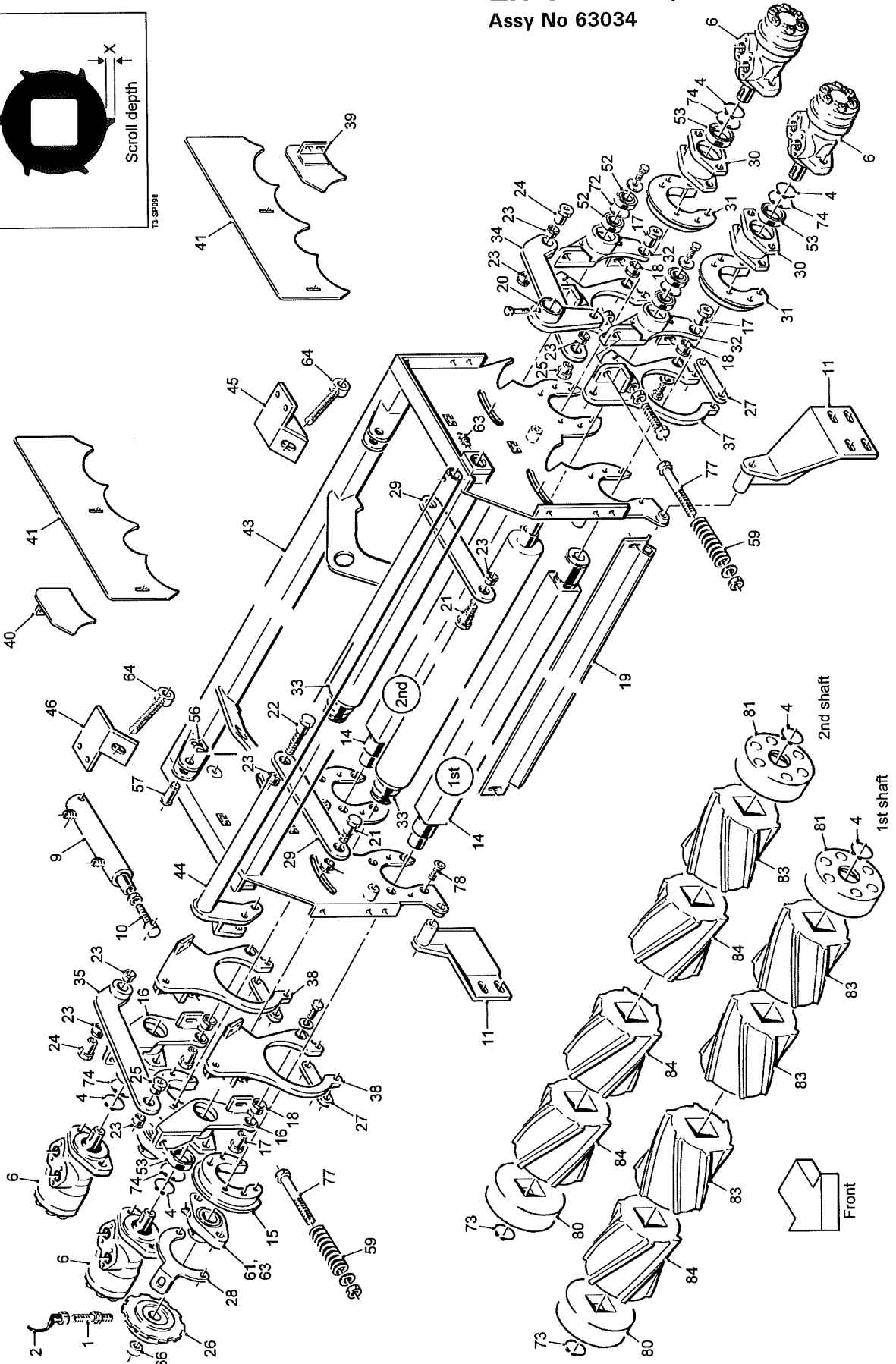
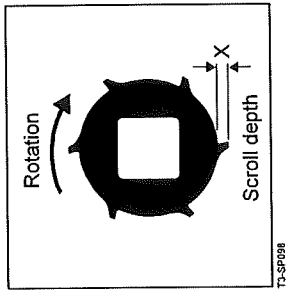
Rear 4R OMEGA Separator

Assy No 56059

Item	Part No.	Description	Qty.	Remarks
106	RPT732.620074	3/4"Pitch Drive Chain	1	
107	RPT732.620075	3/4"Pitch Drive Chain	1	
108	RPT732.620075	3/4"Pitch Drive Chain	1	
109				
110				
111	62652	LH Deflector Plate (short)	4	
112	62653	RH Deflector Plate (short)	4	
113				
114				
115				
116				
		Hydraulic Components Consist Of:		
117	11124	1/2"BSP Dowty Seal	21	
118	11295	1/2"BSPx3/4"BSP M M Adaptor	7	
119				
120	12315	1/2"BSP M M Adaptor	14	
121	12350	3/4"BSP M F Swept 90°Adaptor	3	
122				
123	26086	1/2"BSP M F Swept 90°Adaptor	6	
124				
125	31103	1/2"Hose Assembly (550mm)	3	
126				
127	41182	3/4"Hose Assembly (600mm)	1	
128				
129	51547	3/4"Hose Assembly (1200mm)	1	
130				
131	52310	3/4"Hose Assembly (1500mm)	1	
132				
133	56112	Diverter Valve	3	
134	56867	Valve Mounting Plate	1	
135				
136	59280	Valve Base	2	
137				
138				
139				
140	60593	1/2"Hose Assembly (800mm)	4	
141	60700	3/4"Hose Assembly (4500mm)	2	
142				
143				
144				
145				
146	62966	Hose Clamp	3	

Machines from 2015

2R OMEGA (before roller table)
Assy No 63034



6.3a

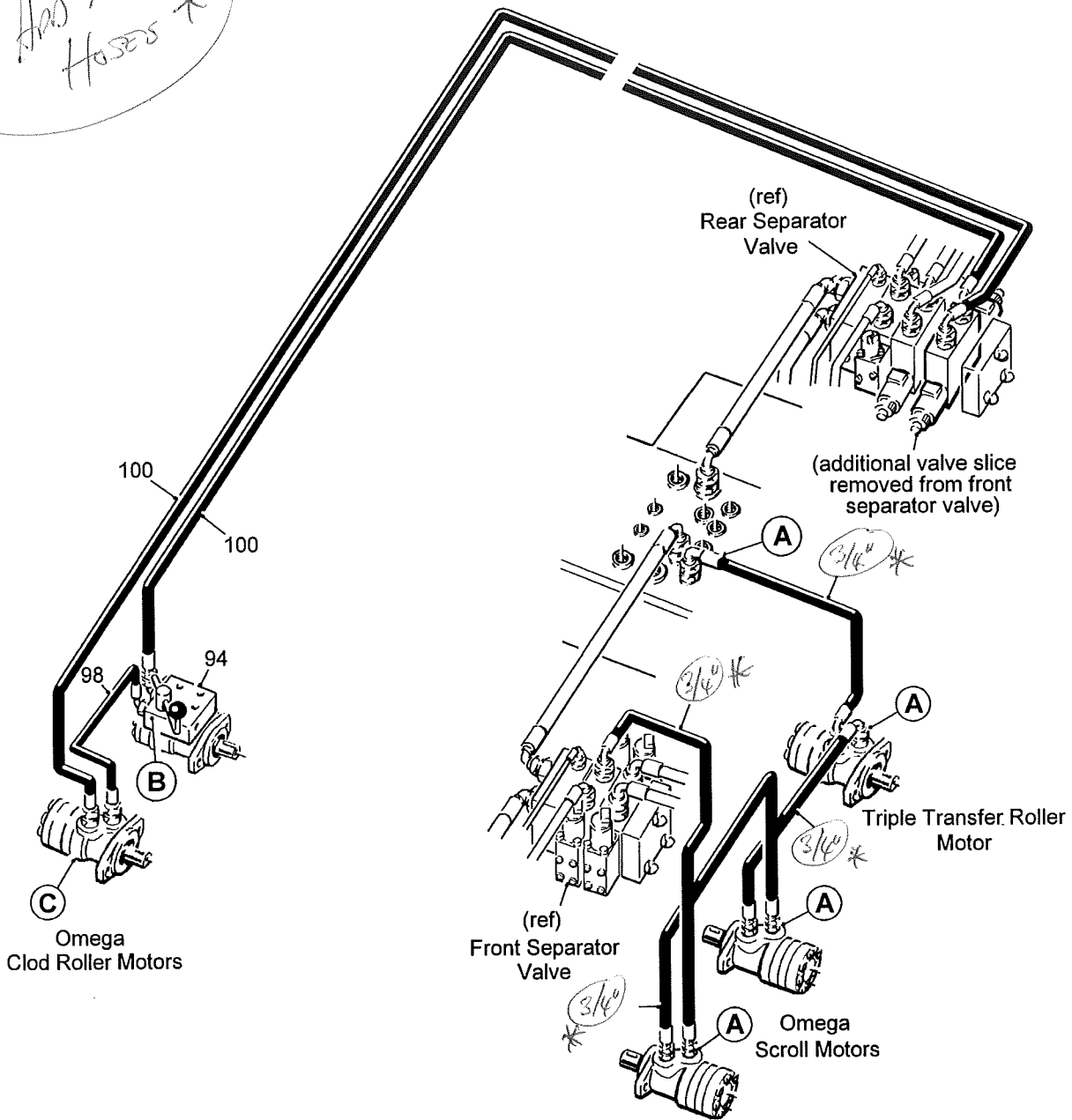
T3 SPARE PARTS

Machines from 2015

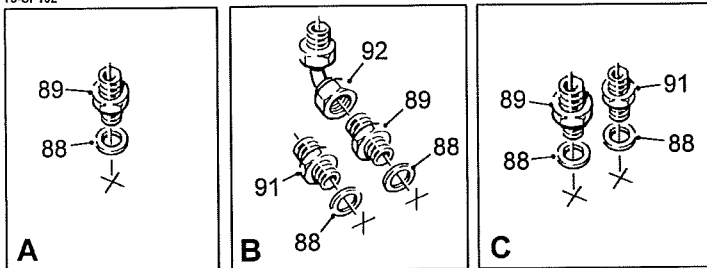
2R OMEGA (before roller table)

Assy No 63034

*ADD NEW HOSES **



T3-SP102



T3 SPARE PARTS**6.3b**

Machines from 2015

2R OMEGA Separator (before roller table)**Assy No 63034**

Item	Part No.	Description	Qty.	Remarks
1	32037/1	Proximity Sensor	1	
2	32037/4	Sensor Cable (10m)	1	
3				
4	33130/16	Ø50 External Circlip	6	
5				
6	44563	Hydraulic Motor	4	
7				
8				
9	56679	Hydraulic Ram	1	
10	56690	Ram Eye	1	
11	56807A	Mounting Bracket	2	
12				
13				
14	59136A/2600	Scroll Shaft	2	
15	59143	Bearing Boss	2	
16	59148	RH Clod Roller Plate	2	
17	59162	Pivot Pin	4	
18	59163	Pivot Flange Bush	4	
19	59164/2600	Clod Roller Scraper	2	
20	59166	Lift Arm	1	
21	59173	Shoulder Bolt (short)	2	
22	59174	Shoulder Bolt (long)	2	
23	59175	Pivot Flange Bush	10	
24	59176	Tapped Boss (long)	2	
25	59177	Tapped Boss (short)	2	
26	59278A	Sensor Disc	1	
27	59352	Carrier Plate Tie	4	
28	59361C	Sensor Bracket	1	
29	59429	Connecting Link (2 hole)	2	
30	59529	Motor Mount	2	
31	59533	Motor Boss	2	
32	59708	LH Clod Roller Plate	2	
33	59709/2600	Ø76 Ebonite Clod Roller	2	Option
	59714/2600	Ø76 Mild Steel Clod Roller	2	Option
	59715/2600	Ø73 Stainless Steel Clod Roller	2	Option
	62863/2600	Ø76 Rubber Clod Roller	2	Option
34	59921A	LH Link	1	
35	59922A	RH Link	1	
36				
37	62648	LH Carrier Plate	2	
38	62649	RH Carrier Plate	2	
39	62652	LH Deflector Plate (short)	2	
40	62653	RH Deflector Plate (short)	2	
41	62829	Stainless Steel Panel	2	
42				
43	63035	Omega 2 Roller Frame	1	
44	63082	Clod Roller Lift Shaft	1	
45	63083L	Top Mounting Bracket LH	1	
46	63083R	Top Mounting Bracket RH	1	
47				
48				
49				
50				
51				

Machines from 2015

2R OMEGA Separator (before roller table)

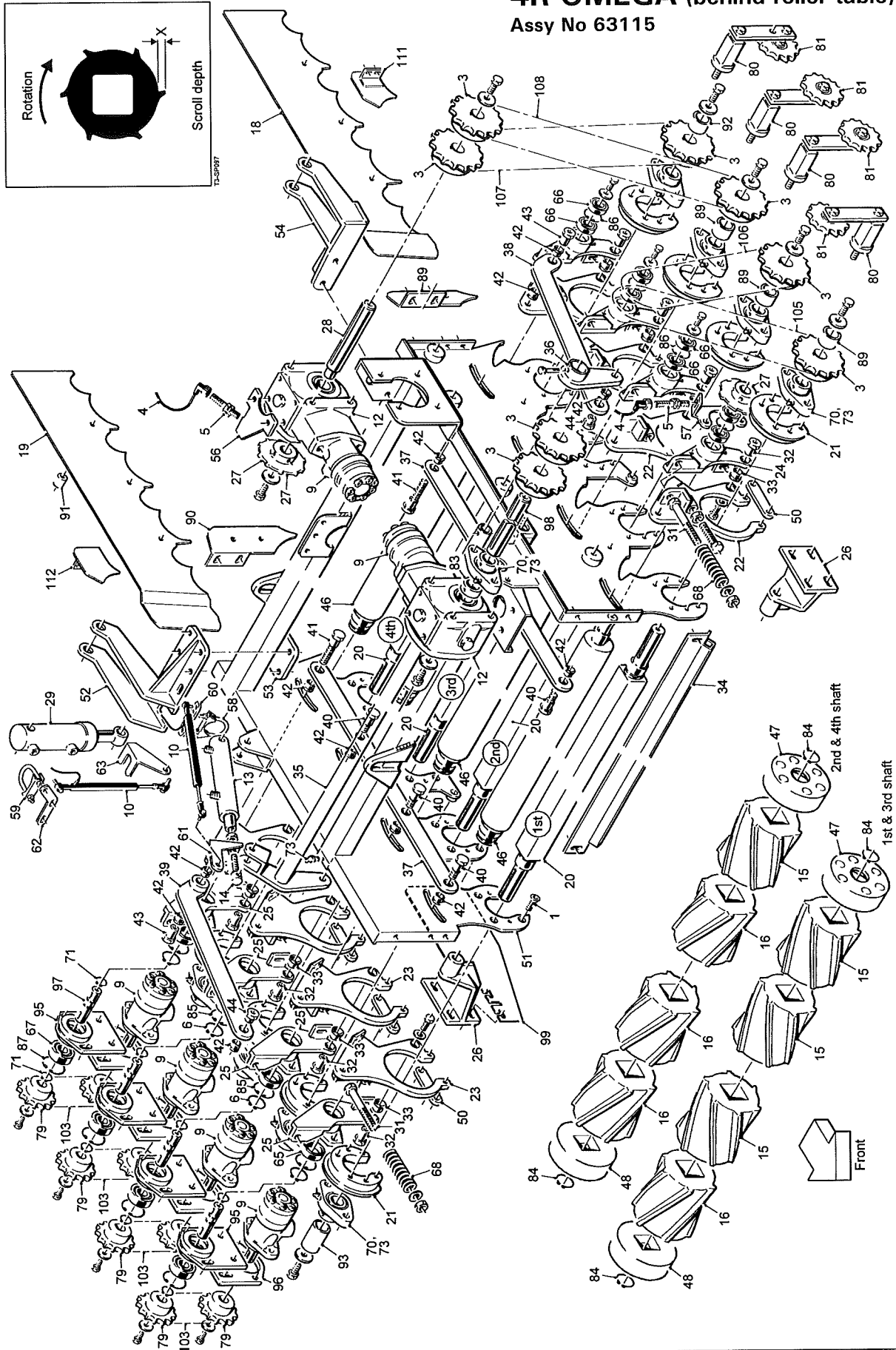
Assy No 63034

Item	Part No.	Description	Qty.	Remarks
52	6006RS	Bearing	4	
53	60102RS	Bearing	4	
54				
55				
56	DWS1076	16mm Spring Clip	2	
57	DWS1092	Pin	2	
58				
59	KA35165	Tension Spring	4	
60				
61	LFTC35A	Bearing	2	
62				
63	RPC648.061001	M6x45° Grease Nipple	4	
64	RPF120.116115	M16 Swing Bolt	2	
65				
66	SS025011/015	Steel Spacer	1	
67				
68				
69				
70				
71				
72	W0111	Ø55 Internal Circlip	2	
73	W0117	Ø45 External Circlip	2	
74	W0161	Ø80 Internal Circlip	4	
75				
76				
77	22012016/140	M16x140 Bolt	4	
78	22016010/020	M10x20 CSK Socket Head Screw	16	
79				
80	59348	Male End Cap (Ø45 bore)	2	
81	59348A	Male End Cap (Ø50 bore)	2	Prior to 2015 was 59347A
82				
83	59934S	LH Scroll (X = 10mm)	15	Prior to 2015 was 56761
	59936S	LH Scroll (X = 6mm)	15	Prior to 2015 was 59350
84	59935S	RH Scroll (X = 10mm)	15	Prior to 2015 was 56762
	59937S	RH Scroll (X = 6mm)	15	Prior to 2015 was 59351
85				
86				
87				
		Hydraulic Components Consist Of:		
88	11124	1/2" BSP Dowty Seal	11	
89	11295	1/2" BSP x 3/4" BSP M M Adaptor	9	
90				
91	12315	1/2" BSP M M Adaptor	2	
92	12350	3/4" BSP M F Swept 90° Adaptor	1	
93				
94	56112	Diverter Valve	1	
95				
96				
97				
98	31103	1/2" Hose Assembly (550mm)	1	
99				
100	60700	3/4" Hose Assembly (4500mm)	2	

Machines from 2015

4R OMEGA (behind roller table)

Assy No 63115



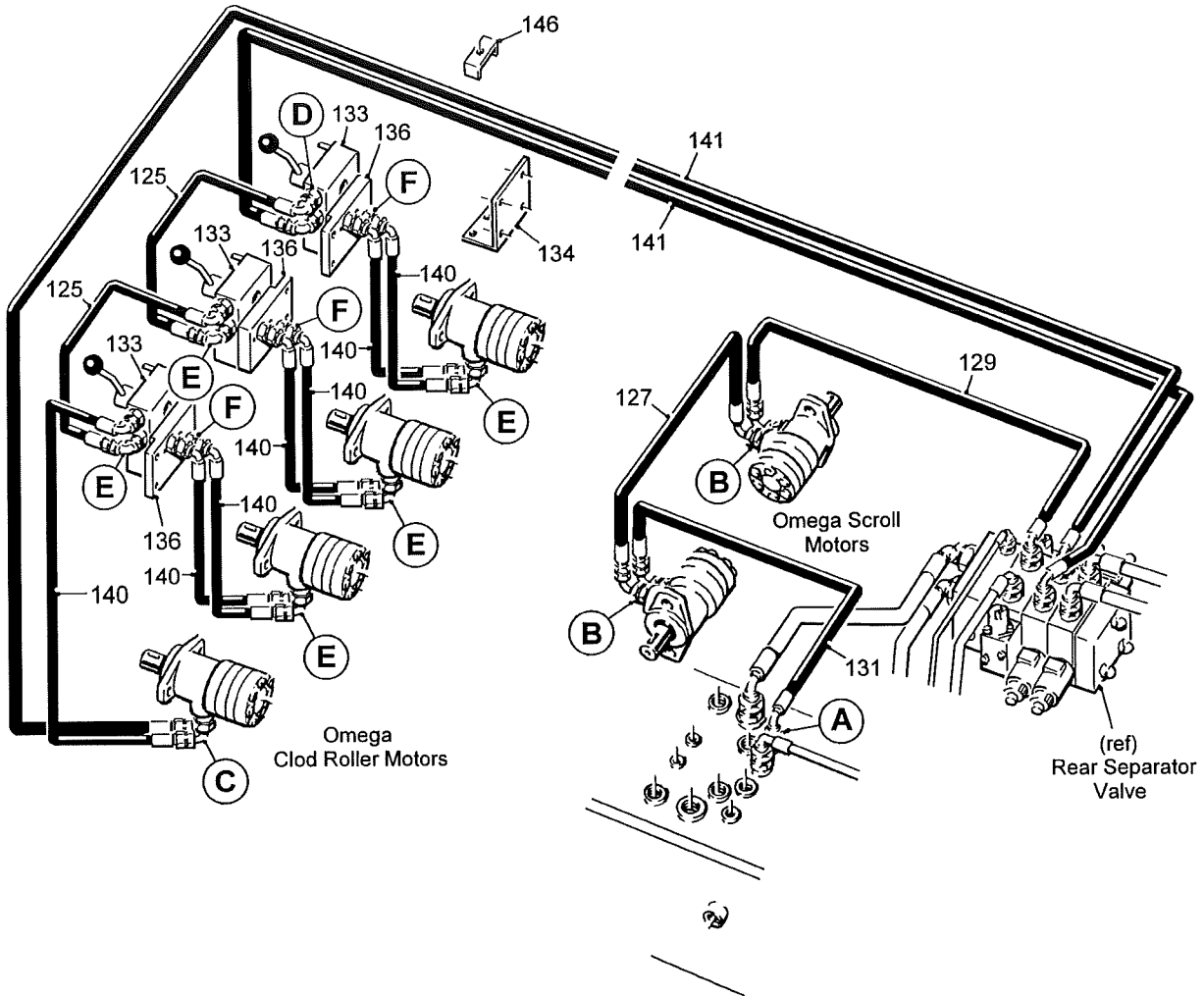
6.4a

T3 SPARE PARTS

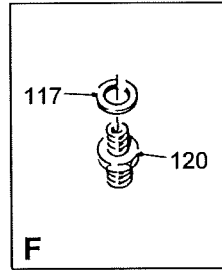
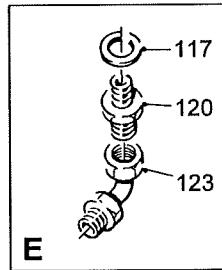
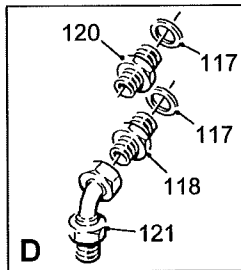
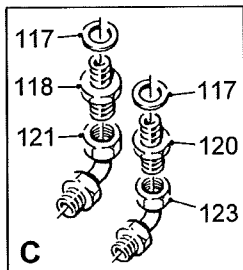
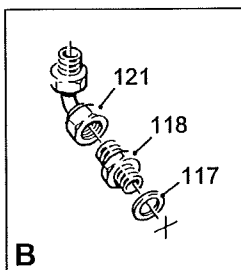
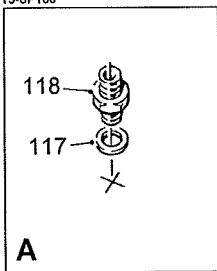
Machines from 2015

4R OMEGA (behind roller table)

Assy No 63115



T3-SP100



T3 SPARE PARTS

6.4b

Machines from 2015

4R OMEGA Separator (behind roller table)

Assy No 63115

Item	Part No.	Description	Qty.	Remarks
1	22016010/020	M10x20 CSK Socket Head Screw	32	
2				
3	59767	23T 3/4"Pitch Sprocket	8	
4	32037/2	Sensor Cable (5m)	2	
5	32037/1	Proximity Sensor	2	
6	33130/16	Ø50 External Circlip	4	
7				
8				
9	44563	Hydraulic Motor	6	
10	55122	Sensor	2	
11				
12	56641	Gearbox Complete	2	
13	56679	Hydraulic Ram	1	
14	56690	Ram Eye	1	
15	59934S	LH Scroll (X= 10mm)	30	Prior to 2015 was 56761
	59936S	LH Scroll (X= 6mm)	30	Prior to 2015 was 59350
16	59935S	RH Scroll (X= 10mm)	30	Prior to 2015 was 56762
	59937S	RH Scroll (X= 6mm)	30	Prior to 2015 was 59351
17				
18	62662	LH Stainless Steel Panel	1	
19	62663	RH Stainless Steel Panel	1	
20	56802	Scroll Shaft	4	
21	59143	Bearing Boss	8	
22	62648	LH Carrier Plate	4	
23	62649	RH Carrier Plate	4	
24	59708	LH Clod Roller Plate	4	
25	59148	RH Clod Roller Plate	4	
26	56808	Mounting Bracket	2	
27	59151	Sensor Disc	2	
28	59152A	Gearbox Shaft	1	
29	59153	Hydraulic Ram	2	
30				
31	22012016/140	M16x140 Bolt	8	
32	59162	Pivot Pin	8	
33	59163	Pivot Flange Bush	8	
34	59164/2600	Clod Roller Scraper	4	
35	56805	Clod Roller Lift Shaft	1	
36	59166	Clod Roller Lift Arm	1	
37	56806	Connecting Link	2	
38	59171	LH Link	1	
39	59172	RH Link	1	
40	59173	Shoulder Bolt (short)	6	
41	59174	Shoulder Bolt (long)	2	
42	59175	Pivot Flange Bush	14	
43	59176	Tapped Boss (long)	2	
44	59177	Tapped Boss (short)	2	
45				
46	59709/2600	Ø76 Ebonite Clod Roller	4	Option
	59714/2600	Ø76 Mild Steel Clod Roller	4	Option
	59715/2600	Ø73 Stainless Steel Clod Roller	4	Option
	62863/2600	Ø76 Rubber Clod Roller	4	Option
47	59348	Male End Cap (Ø45 bore)	4	Prior to 2015 was 59347
48	59348	Male End Cap (Ø45 bore)	4	
49				
50	59352	Carrier Plate Tie	8	

6.4c

T3 SPARE PARTS

Machines from 2015

4R OMEGA Separator (behind roller table)

Assy No 63115

Item	Part No.	Description	Qty.	Remarks
51	56801	Omega 4 Roller Frame	1	
52	56891A	RH Ram Bracket	1	
53	59355	Ram Bracket Clamp	1	
54	56892A	LH Ram Bracket	1	
55				
56	59362	Sensor Bracket	1	
57	59361B	Sensor Bracket	1	
58	59396	Ø42 Exhaust Clamp	1	
59	59397	Ø60 Exhaust Clamp	1	
60	59398	Ø42 Ram Body Bracket	1	
61	59399	Ø42 Ram Piston Bracket	1	
62	59400	Ø60 Ram Body Bracket	1	
63	59401	Ø60 Ram Piston Bracket	1	
64				
65	60102RS	Bearing	4	
66	6006RS	Bearing	8	
67	63052RS	Bearing	4	
68	DW25131	Compression Spring	8	
69				
70	LFTC35A	Bearing	9	
71	PS843	Ø25 External Circlip	8	
72				
73	RPC648.061001	Grease Nipple 45°	11	
74				
75				
76				
77				
78				
79	RPM182.306832	15T 3/4"Pitch Sprocket	8	
80	RPS568X	Chain Tensioner Arm	4	
81	RPS569	Tensioner Sprocket Complete	4	
82				
83	SPCT131	Ø35 Locking Collar	1	
84	W0117	Ø45 External Circlip	8	
85	W0161	Ø80 Internal Circlip	4	
86	W0111	Ø55 Internal Circlip	4	
87	W0168	Ø62 Internal Circlip	4	
88				
89	59481	LH Deflector	1	
90	59482	RH Deflector	1	
91	SS025011/035	Steel Spacer	6	
92	SS042036/042	Steel Spacer	4	
93	SS042036/082	Steel Spacer	4	
94				
95	56814	Adaptor Plate	4	
96	56815	Motor Plate	4	
97	56816	Coupling Shaft	4	
98	56887	Gearbox Shaft	1	
99	56865	RH Drives Cover Plate	1	
100				
101				
102				
103	RPT732.620034	3/4"Pitch Drive Chain	4	
104				
105	RPT732.620073	3/4"Pitch Drive Chain	1	

T3 SPARE PARTS**6.4d**

Machines from 2015

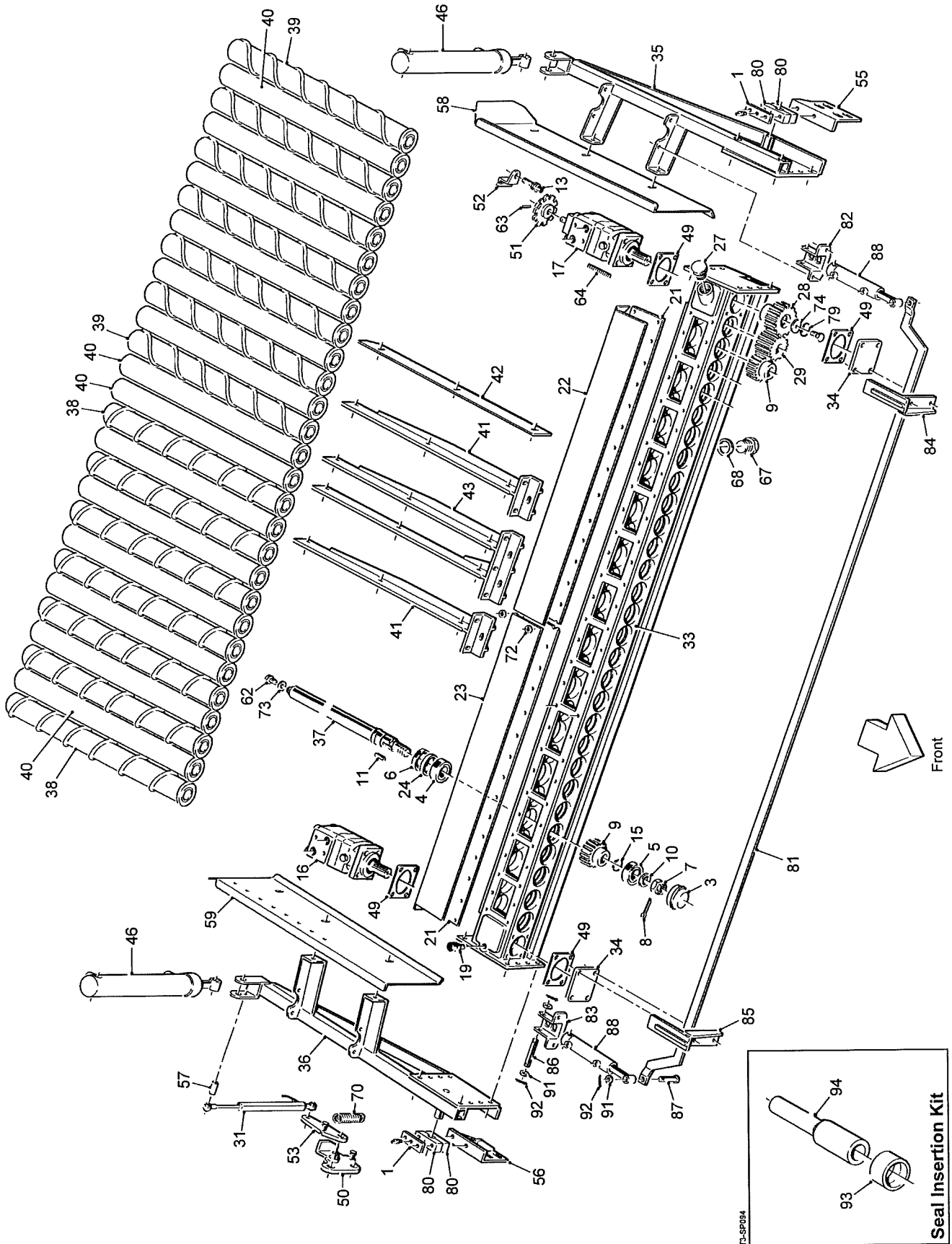
4R OMEGA Separator (behind roller table)**Assy No 63115**

Item	Part No.	Description	Qty.	Remarks
106	RPT732.620074	3/4"Pitch Drive Chain	1	
107	RPT732.620075	3/4"Pitch Drive Chain	1	
108	RPT732.620075	3/4"Pitch Drive Chain	1	
109				
110				
111	62652	LH Deflector Plate (short)	4	
112	62653	RH Deflector Plate (short)	4	
113				
114				
115				
116				
		Hydraulic Components Consist Of:		
117	11124	1/2"BSP Dowty Seal	24	
118	11295	1/2"BSPx3/4"BSP M M Adaptor	7	
119				
120	12315	1/2"BSP M M Adaptor	18	
121	12350	3/4"BSP M F Swept 90°Adaptor	6	
122				
123	26086	1/2"BSP M F Swept 90°Adaptor	7	
124				
125	31103	1/2"Hose Assembly (550mm)	2	
126				
127	41182	3/4"Hose Assembly (600mm)	1	
128				
129	51547	3/4"Hose Assembly (1200mm)	1	
130				
131	52310	3/4"Hose Assembly (1500mm)	1	
132				
133	56112	Diverter Valve	3	
134	56867	Valve Mounting Plate	2	
135				
136	59280	Valve Base	3	
137				
138				
139				
140	60593	1/2"Hose Assembly (800mm)	7	
141	60700	3/4"Hose Assembly (4500mm)	2	
142				
143				
144				
145				
146	62966	Hose Clamp	3	

Machines from 2015

Roller Table / Pro-Clean Separator

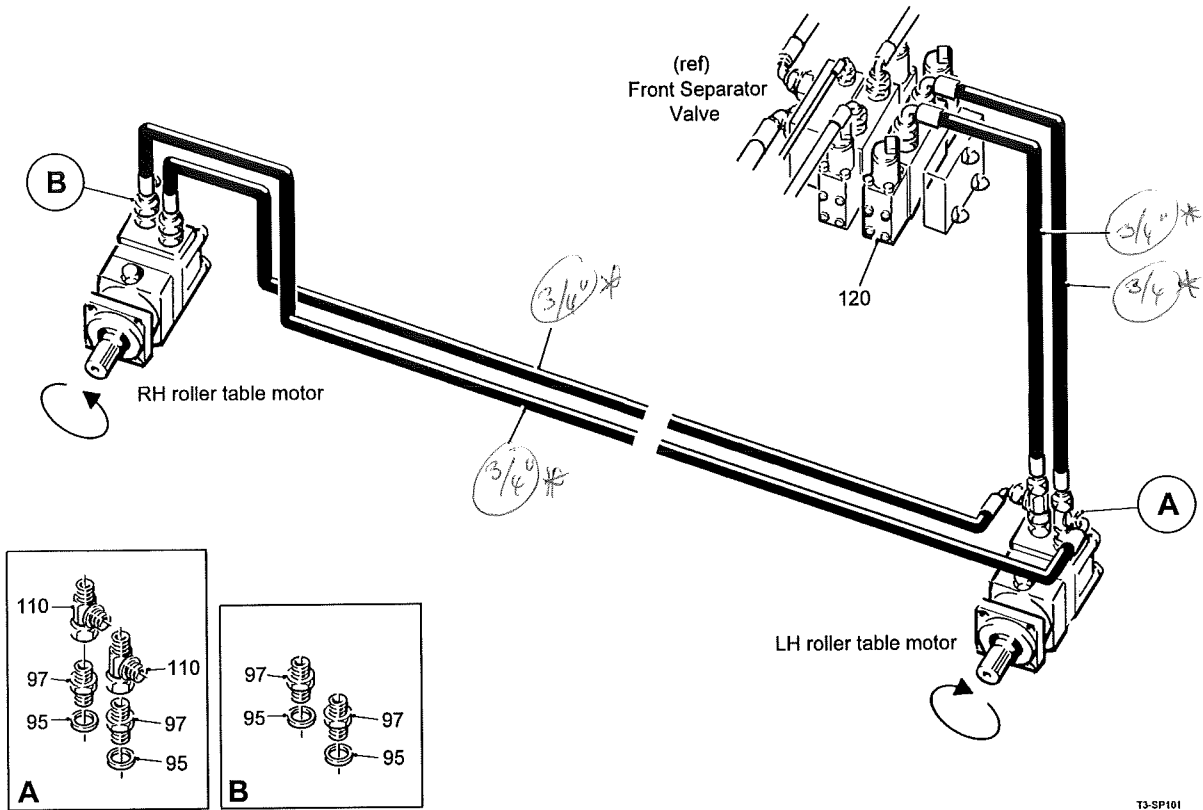
Assy No 56972



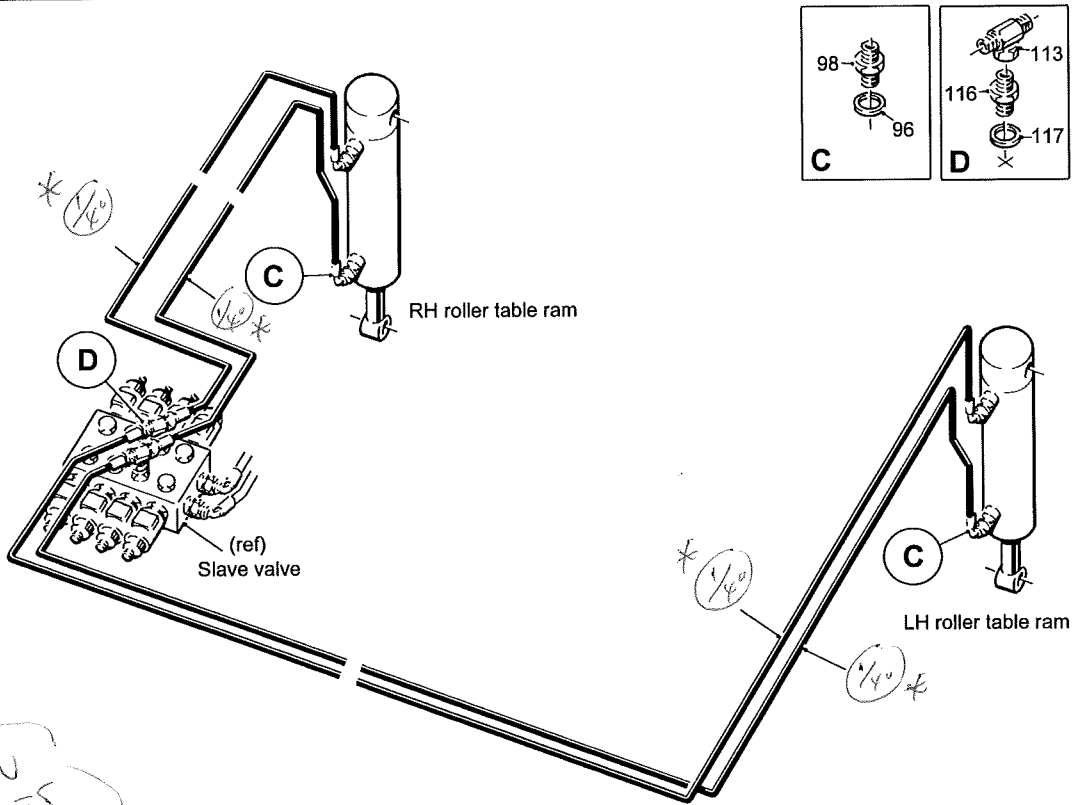
Machines from 2015

Roller Table / Pro-Clean Separator

Assy No 56972



T3-SP101



*add new hoses **

T3 SPARE PARTS**8.1b**

Machines from 2015

Roller Table / Pro-Clean Separator**Assy No 56972**

Item	Part No.	Description	Qty.	Remarks
1	17133	Clamp Plate	2	
2				
3	27841	End Cap	28	
4	27843	Bearing Cup & Cone	28	
5	27844	Bearing Cup & Cone	28	
6	27895A	Oil Seal	28	
7	27917	Slotted Nut	28	
8	27918	Split Pin	28	
9	27937	35T Gear	26	
10	27942	Flat Washer	28	
11	27948	RBE Key	28	
12				
13	32037/1	Proximity Sensor	1	
14				
15	37086	1 1/2" External Circlip	28	
16	37754	Hydraulic Motor	1	
17	37754A	Hydraulic Motor (with tacho shaft)	1	
18				
19	42653	3/8"BSP Breather Plug	1	
20				
21	46333-28	Gearbox Cover Plate	2	
22	46334-28LH	LH Stainless Steel Panel	1	
23	46334A-28RH	RH Stainless Steel Panel	1	
24	46406	Steel Spacer	20	
25				
26				
27	51566	1"BSP Breather	1	
28	51651	45T Motor Gear	2	
29	51652	35T 1st Shaft Gear	2	
30				
31	55122	Sensor	1	
32				
33	56278	28 Roller Gearcase	1	
34	56291	Blanking Plate	2	
35	56943	LH Mounting	1	
36	56944	RH Mounting	1	
37	59622	Roller Shaft (800mm)	28	
38	59623LGSR	800mm Ø75/Ø95 LH Spiral Roller	7	
	59623LSG	800mm Ø80/Ø95 LH Spiral Roller	7	
39	59623RGSR	800mm Ø75/Ø95 RH Spiral Roller	7	
	59623RSG	800mm Ø80/Ø95 RH Spiral Roller	7	
40	59624B	800mm Ø82 Plain Roller	14	
	59624C	800mm Ø74 Plain Roller	14	
41	59735	Scraper Mounting (800mm)	12	
42	59736	Scraper Blade (800mm)	14	
43	59825	Double Scraper Mounting (800mm)	1	
44				
45				
46	61008	Hydraulic Ram	2	
47				

8.1c

T3 SPARE PARTS

Machines from 2015

Roller Table / Pro-Clean Separator

Assy No 56972

Item	Part No.	Description	Qty.	Remarks
48				
49	62465	Gasket	4	
50	62724	Sensor Link Arm Mounting	1	
51	62798	Sensor Disc	1	
52	62799	Sensor Mounting	1	
53	62828	Sensor Link Arm	1	
54				
55	63077	LH Bracket	1	
56	63078	RH Bracket	1	
57	63087	Sensor Mounting Bar	1	
58	63093L	Side Panel LH	1	
59	63093R	Side Panel RH	1	
60				
61				
62	22011010/025	M10x25 Setscrew	28	
63	22067003/020	Ø3x20 Roll Pin	1	
64	22106010/046	M10x46 Motor Stud	8	
65				
66				
67	11116	1"BSP Blanking Plug	1	
68	11122	1"BSP Dowty Seal	1	
69				
70	KA35165	Tension Spring	1	
71				
72	SS020007/001	Steel Spacer	2	
73	SS030011/005	Steel Spacer	28	
74	SS050011/005	Steel Spacer	2	
75				
76				
77				
78				
79	TH00932252	Ø50 Internal Circlip	2	
80	TRT299	Nylon Bearing Block	4	
	63107/28	Scraper Bar Assembly Consists Of:		
81	63108/28	Scraper Bar	1	
82	63109L	Ram Mounting LH	1	
83	63109R	Ram Mounting RH	1	
84	63110L	Scraper Retainer LH	1	
85	63110R	Scraper Retainer RH	1	
86	63111	Pivot Pin	2	
87	63112	Pivot Pin	2	
88	63113	Hydraulic Ram	2	
89				
90				
91	22046012A	M12 Flat Washer	8	
92	22078003/050	Ø3x50 Split Pin	6	
	37145	Seal Insertion Kit Consists Of:		
93	37146	Seal Compression Ring	1	
94	37147	Slide Hammer	1	

T3 SPARE PARTS**8.1d**

Machines from 2015

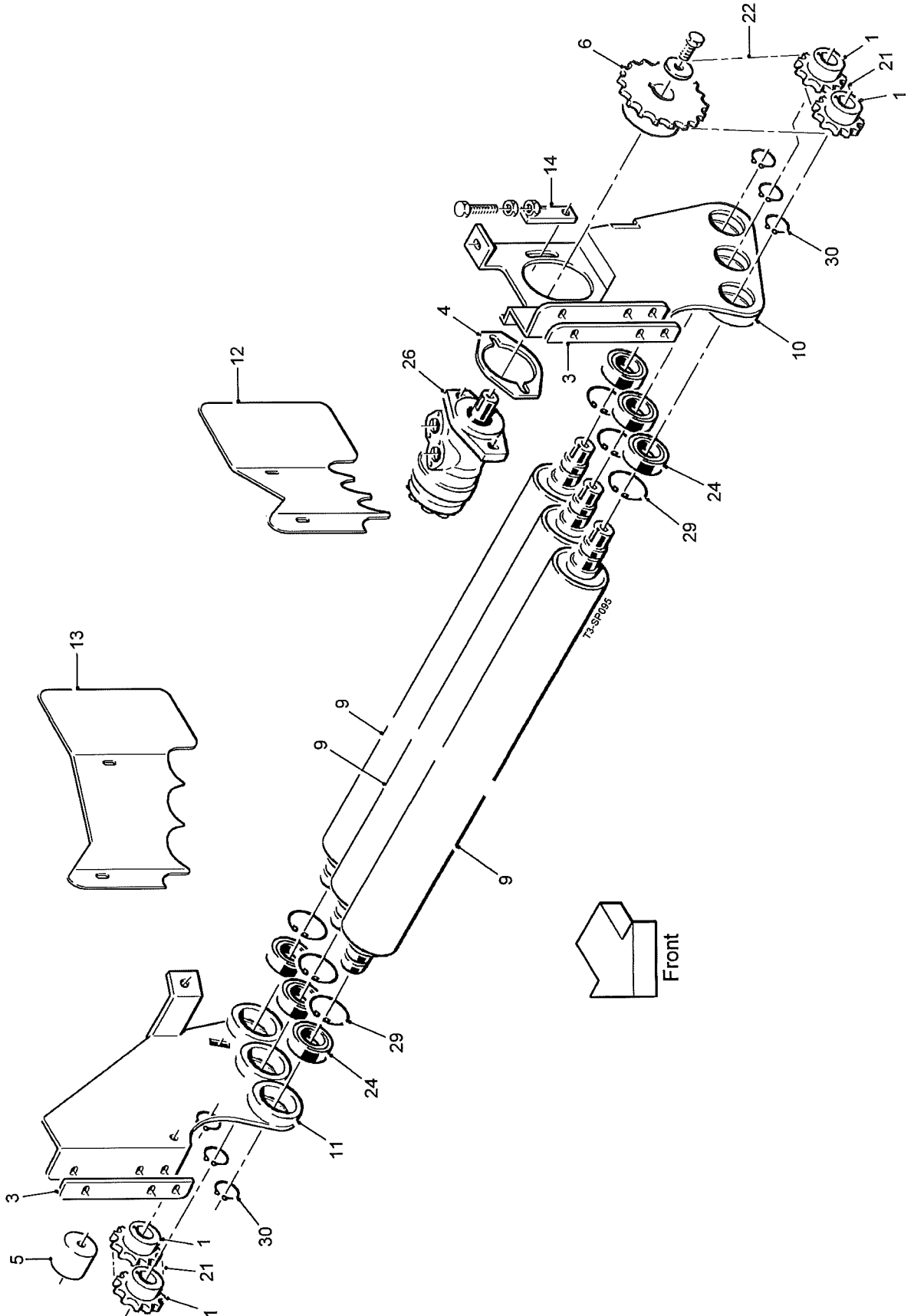
Roller Table / Pro-Clean Separator**Assy No 56972**

Item	Part No.	Description	Qty.	Remarks
		Hydraulic Components Consist Of:		
95	11124	1/2"BSP Dowty Seal	4	
96	11125	3/8"BSP Dowty Seal	4	
97	11295	1/2"BSPx3/4"BSP M M Adaptor	4	
98	11336	1/4"BSPx3/8"BSP M M Adaptor	4	
99				
100				
101				
102				
103				
104				
105				
106				
107				
108				
109				
110	32512	3/4"BSP F M M Tee	2	
111				
112				
113	37199	1/4"BSP M M F Tee	2	
114				
115				
116	44207	M14x1/4"BSP M M Adaptor	2	
117	44208	M14 Dowty Seal	2	
118				
119				
120	59107/1	Valve Section (80 Ltr/min)	1	



Machines from 2015

Triple Transfer Roller Unit
Assy No 63028



9.1a**T3 SPARE PARTS**

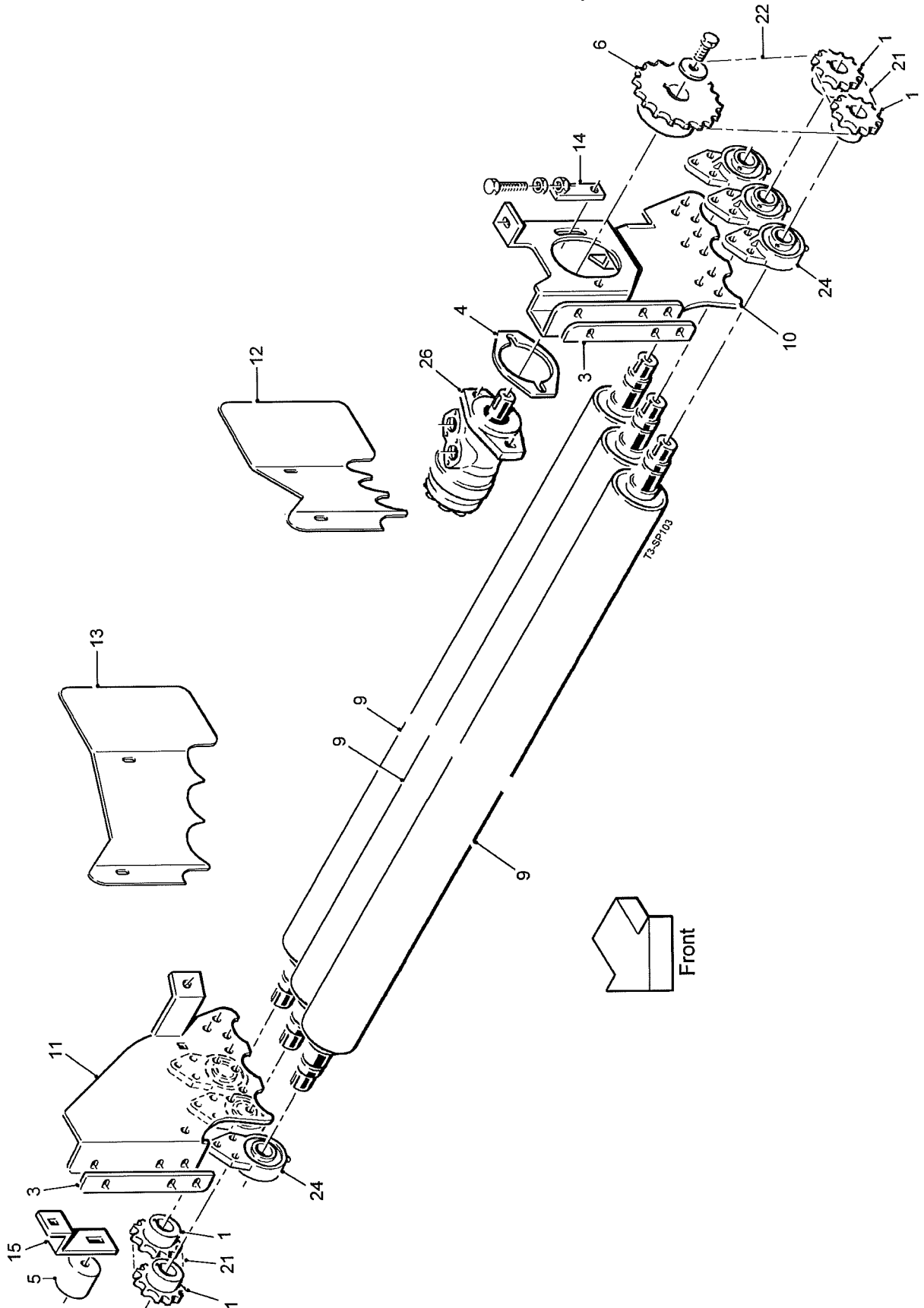
Machines from 2015

Triple Transfer Roller Unit**Assy No 63028**

Item	Part No.	Description	Qty.	Remarks
1	44610	13T 5/8"Pitch Sprocket	4	
2				
3	62795/10	Spacer Plate 10mm	a/r	
	62795/5	Spacer Plate 5mm	a/r	
4	62832A	Motor Spacer	1	
5	62844C	Tensioner Roller	1	
6	62887	26T 5/8"Pitch Sprocket	1	
7				
8				
9	63029	Carrier Roller	3	
10	63030	Roller Mounting LH	1	
11	63031	Roller Mounting RH	1	
12	63032L	Stainless Steel Panel LH	1	
13	63032R	Stainless Steel Panel RH	1	
14	63033	Adjuster	1	
15				
16				
17				
18				
19				
20				
21	-	5/8"Pitch Drive Chain	2	
22	-	5/8"Pitch Drive Chain	1	
23				
24	60062RS	Bearing	6	
25				
26	RPH850.302181	Hydraulic Motor	1	
27				
28				
29	W0111	Ø55 Internal Circlip	6	
30	W0116	Ø30 External Circlip	6	

Machines from 2015

Triple Transfer Roller Unit
Assy No 63028A



9.1a**T3 SPARE PARTS**

Machines from 2015

Triple Transfer Roller Unit

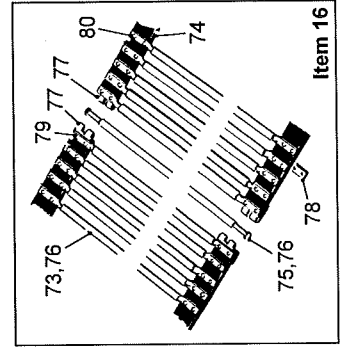
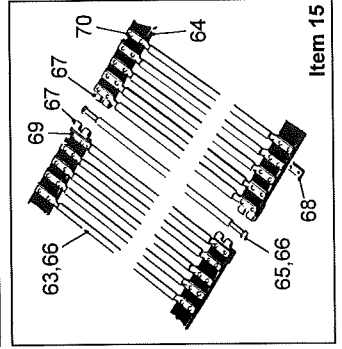
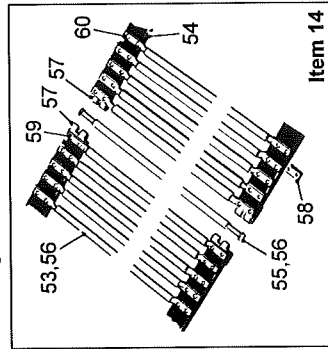
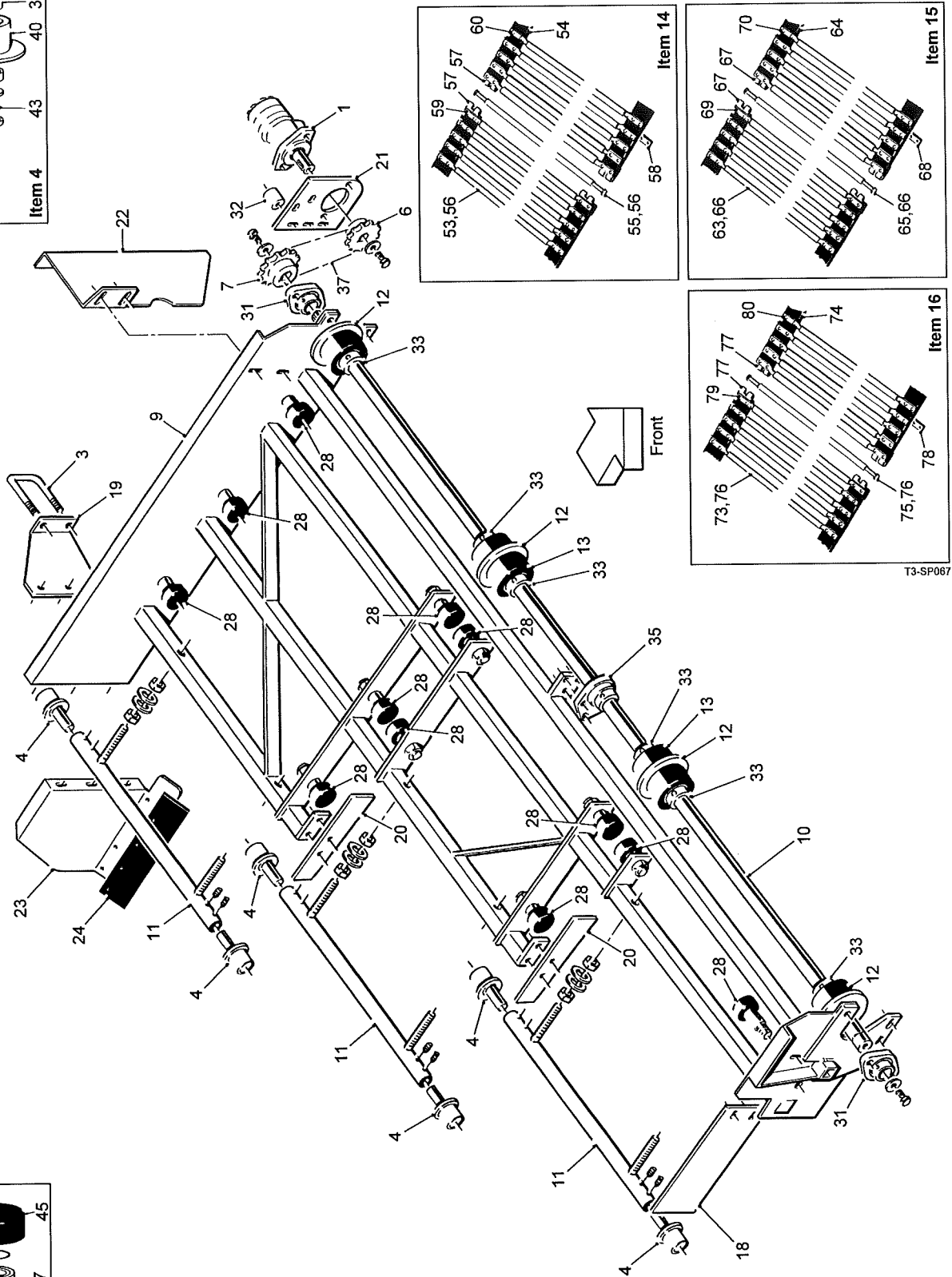
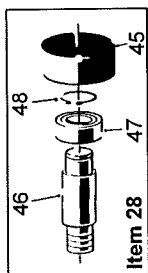
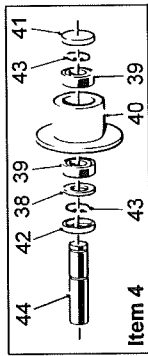
Assy No 63028A

Item	Part No.	Description	Qty.	Remarks
1	44610	13T 5/8"Pitch Sprocket	4	
2				
3	62795/10	Spacer Plate 10mm	a/r	
	62795/5	Spacer Plate 5mm	a/r	
4	62832A	Motor Spacer	1	
5	62844C	Tensioner Roller	1	
6	62887	26T 5/8"Pitch Sprocket	1	
7				
8				
9	63029A	Carrier Roller	3	
10	63030A	Roller Mounting LH	1	
11	63031A	Roller Mounting RH	1	
12	63032AL	Stainless Steel Panel LH	1	
13	63032AR	Stainless Steel Panel RH	1	
14	63033	Adjuster	1	
15	63118	Chain Tensioner Bracket	1	
16				
17				
18				
19				
20				
21	-	5/8"Pitch Drive Chain	2	
22	-	5/8"Pitch Drive Chain	1	
23				
24	UCFB206	Bearing	6	
25				
26	44563	Hydraulic Motor	1	

Machines from 2015

Spreader Assembly (short)

Assy No 56017



T3-SP067

Machines from 2015

Spreader Assembly (short)

Assy No 56017

Item	Part No.	Description	Qty.	Remarks
1	46855	Hydraulic Motor	1	
2				
3	50019	M12 U' Bolt	1	
4	51666	Roller Assembly	6	(see list at end)
5				
6	52018/16	16T 5/8"Pitch Sprocket	1	
7	52018/19	19T 5/8"Pitch Sprocket	1	
8				
9	56227	Spreader Frame	1	
10	56228	Drive Shaft	1	
11	56229	Roller Mounting	3	
12	56230	Flanged Drive Roller	4	
13	56231	Plain Drive Roller	2	
14	56232	Long Spreader Web	1	(see list at end)
15	56233	Centre Spreader Web	1	(see list at end)
16	56234	Short Spreader Web	1	(see list at end)
17				
18	56408	Plastic Deflector	1	
19	56435	Spreader Support Plate	1	
20	56449	Side Infill	2	
21	56590	Motor Mounting Plate	1	
22	56868	Guard Panel	1	
23	56612	Deflector	1	
24	56613	Rubber Flap	1	
25				
26				
27				
28	0000301600	Roller Assembly	12	(see list at end)
29				
30				
31	LFTC35A	Bearing	2	
32	SS040013/055	Steel Spacer	3	
33	ST41M	Locking Collar	6	
34				
35	UCFB208	Bearing	1	
36				
37	W0644/73	5/8"Pitch Drive Chain	1	
	51666	Roller Assembly Consists Of:		
38	0000300504	Felt Seal	1	
39	6005RS	Bearing	2	
40	46398	Flanged Steel Roller	1	
41	PH407	Seal	1	
42	PH408	Seal	1	
43	PS843	Ø25 External Circlip	2	
44	51664	Roller Spindle	1	
	0000301600	Roller Assembly Consists Of:		
45	0000301601	Roller	1	
46	0000301602	Spindle	1	
47	62042RS	Bearing	1	
48	12298	Circlip	1	

T3 SPARE PARTS**10.1b**

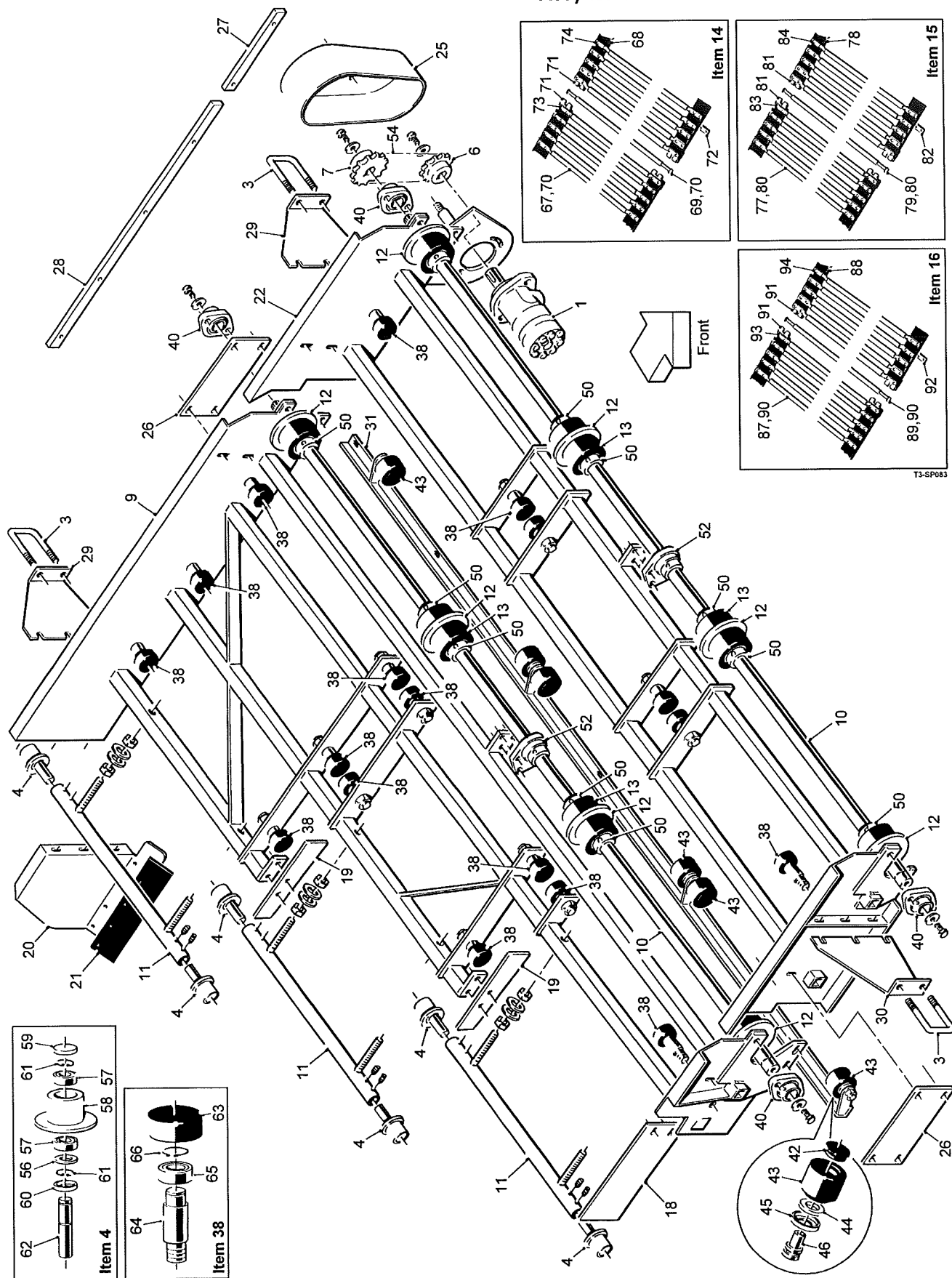
Machines from 2015

Spreader Assembly (short)**Assy No 56017**

Item	Part No.	Description	Qty.	Remarks
49				
50				
51				
52				
	56232	Long Spreader Web Consists Of:		
53	56232/1	Web Rod	88	
54	56232/2	Web Belt	2	
55	56232/4	Joining Rod	1	
56	56232/5	Rod Cover	89	
57	51301/3	'F' Type Joiner	4	
58	46849/2	Clamp Plate	176	
59	DIN661 5x25	Long Rivet	8	
60	DIN661 5x22	Short Rivet	344	
61				
62				
	56233	Centre Spreader Web Consists Of:		
63	56232/1	Web Rod	65	
64	56233/1	Web Belt	2	
65	56232/4	Joining Rod	1	
66	56232/5	Rod Cover	66	
67	51301/3	'F' Type Joiner	4	
68	46849/2	Clamp Plate	130	
69	DIN661 5x25	Long Rivet	8	
70	DIN661 5x22	Short Rivet	260	
71				
72				
	56234	Short Spreader Web Consists Of:		
73	56232/1	Web Rod	42	
74	56234/1	Web Belt	2	
75	56232/4	Joining Rod	1	
76	56232/5	Rod Cover	43	
77	51301/3	'F' Type Joiner	4	
78	46849/2	Clamp Plate	84	
79	DIN661 5x25	Long Rivet	8	
80	DIN661 5x22	Short Rivet	168	
81				
82				

Machines from 2015

Spreader Assembly (long)
Assy No 56017L



Machines from 2015

Spreader Assembly (long)

Assy No 56017L

Item	Part No.	Description	Qty.	Remarks
1	46855	Hydraulic Motor	1	
2				
3	50019	M12 'U' Bolt	3	
4	51666	Roller Assembly	6	(see list at end)
5				
6	52018/16	16T 5/8"Pitch Sprocket	1	
7	52018/19	19T 5/8"Pitch Sprocket	1	
8				
9	56227	Spreader Frame	1	
10	56228	Drive Shaft	2	
11	56229	Roller Mounting	3	
12	56230	Flanged Drive Roller	8	
13	56231	Plain Drive Roller	4	
14	56232A	Long Spreader Web	1	(see list at end)
15	56233A	Centre Spreader Web	1	(see list at end)
16	56234A	Short Spreader Web	1	(see list at end)
17				
18	56408	Plastic Deflector	1	
19	56449	Side Infill	2	
20	56612	Deflector	1	
21	56613	Rubber Flap	1	
22	56957	Spreader Extension Frame	1	
23				
24				
25	63002	Drive Guard	1	
26	63003	Joining Plate	2	
27	63007	Rubber Flap Spacer Strip (short)	2	
28	63008	Rubber Flap Spacer Strip (long)	2	
29	63009	LH Support Plate	2	
30	63011	RH Support Plate	1	
31	63017	Roller Support	1	
32				
33				
34				
35				
36				
37				
38	0000301600	Ø66 Roller Assembly	18	
39				
40	LFTC35A	Bearing	4	
41				
42	RPC620.303070	Cap	6	
43	RPC700.300148	Ø75 Plain Roller c/w Bearings	6	
44	RPGM070.00446	Felt Seal	6	
45	RPGM089.00565	Roller Shield	6	
46	RPM180.303071	Roller Spindle	6	
47				
48				
49				
50	ST41M	Locking Collar	12	
51				
52	UCFB208	Bearing	2	
53				
54	W0644/73	5/8"Pitch Drive Chain	1	
55				

T3 SPARE PARTS

10.2b

Machines from 2015

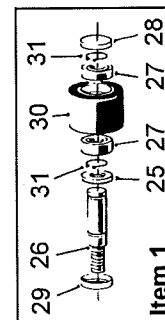
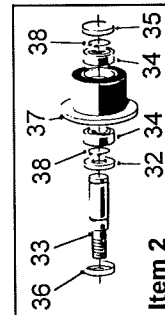
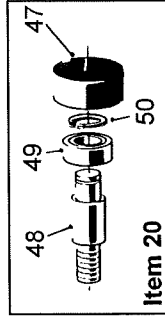
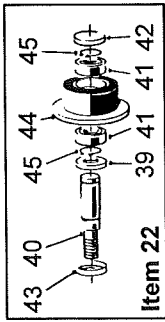
Spreader Assembly (long)

Assy No 56017L

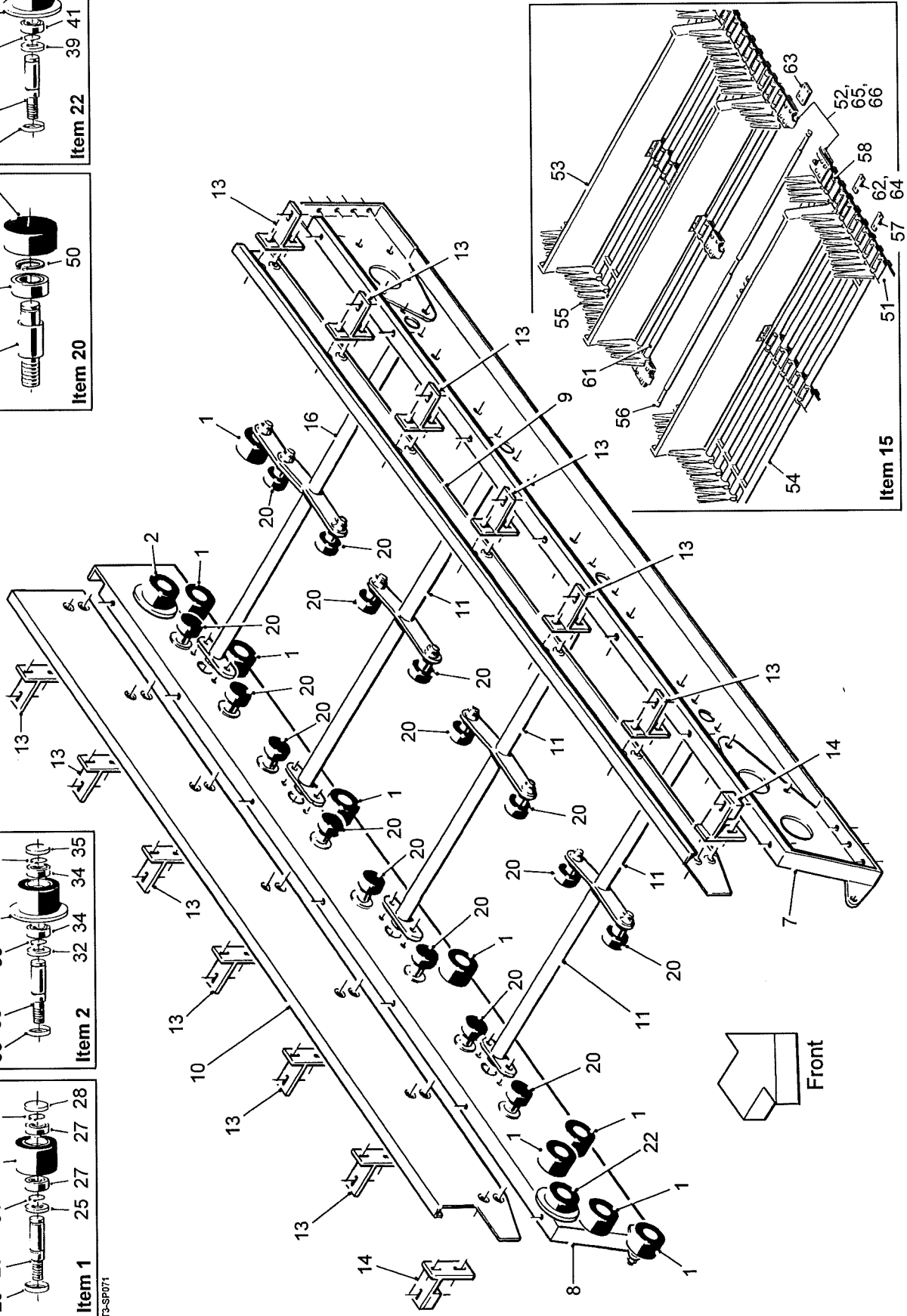
Item	Part No.	Description	Qty.	Remarks
	51666	Roller Assembly Consists Of:		
56	0000300504	Felt Seal	1	
57	6005RS	Bearing	2	
58	46398	Flanged Steel Roller	1	
59	PH407	Seal	1	
60	PH408	Seal	1	
61	PS843	Ø25 External Circlip	2	
62	51664	Roller Spindle	1	
	0000301600	Roller Assembly Consists Of:		
63	0000301601	Roller	1	
64	0000301602	Spindle	1	
65	62042RS	Bearing	1	
66	12298	Circlip	1	
	56232A	Long Spreader Web Consists Of:		
67	56232/1	Web Rod	-	
68	-	Web Belt	2	
69	56232/4	Joining Rod	1	
70	56232/5	Rod Cover	-	
71	51301/3	'F' Type Joiner	4	
72	46849/2	Clamp Plate	-	
73	DIN661 5x25	Long Rivet	8	
74	DIN661 5x22	Short Rivet	-	
75				
76				
	56233A	Centre Spreader Web Consists Of:		
77	56232/1	Web Rod	-	
78	-	Web Belt	2	
79	56232/4	Joining Rod	1	
80	56232/5	Rod Cover	-	
81	51301/3	'F' Type Joiner	4	
82	46849/2	Clamp Plate	-	
83	DIN661 5x25	Long Rivet	8	
84	DIN661 5x22	Short Rivet	-	
85				
86				
	56234A	Short Spreader Web Consists Of:		
87	56232/1	Web Rod	-	
88	-	Web Belt	2	
89	56232/4	Joining Rod	1	
90	56232/5	Rod Cover	-	
91	51301/3	'F' Type Joiner	4	
92	46849/2	Clamp Plate	-	
93	DIN661 5x25	Long Rivet	8	
94	DIN661 5x22	Short Rivet	-	
95				
96				

Machines from 2015

Cross Elevator Assembly
Assy No 56018



T3-SP071



10.3a

T3 SPARE PARTS

Machines from 2015

Cross Elevator Assembly

Assy No 56018

Item	Part No.	Description	Qty.	Remarks
1	19356	Roller Assembly	17	(see list at end)
2	19357	Roller Assembly	2	(see list at end)
3				
4				
5				
6				
7	56236	Front Panel	1	
8	56237	Rear Panel	1	
9	56238	Front Web Side	1	
10	56239	Rear Web Side	1	
11	56240	Roller Frame	3	
12				
13	56317	Bracket	12	
14	56318	End Bracket	2	
15	56825	40mm Pitch Elevator Web	1	(see list at end)
16	56925	End Roller Frame	1	
17				
18				
19				
20	0000301600	Roller Assembly	24	(see list at end)
21				
22	KA16029	Roller Assembly	2	(see list at end)
23				
24				
	19356	Roller Assembly Consists Of:		
25	0000300504	Felt Seal	1	
26	11265	Roller Spindle	1	
27	6005RS	Bearing	2	
28	PH407	Seal	1	
29	PH408	Seal	1	
30	PH77AR	Plain Roller	1	
31	PS843	Circlip	2	
	19357	Roller Assembly Consists Of:		
32	0000300504	Felt Seal	1	
33	PH406AM	Roller Spindle	1	
34	6005RS	Bearing	2	
35	PH407	Seal	1	
36	PH408	Seal	1	
37	PH51AR	Flanged Roller	1	
38	PS843	Circlip	2	
	KA16029	Roller Assembly Consists Of:		
39	0000300504	Felt Seal	1	
40	KA16029/2	Roller Spindle	1	
41	6005RS	Bearing	2	
42	PH407	Seal	1	
43	PH408	Seal	1	
44	KA16029/1	Flanged Roller	1	
45	PS843	Circlip	2	

T3 SPARE PARTS**10.3b**

Machines from 2015

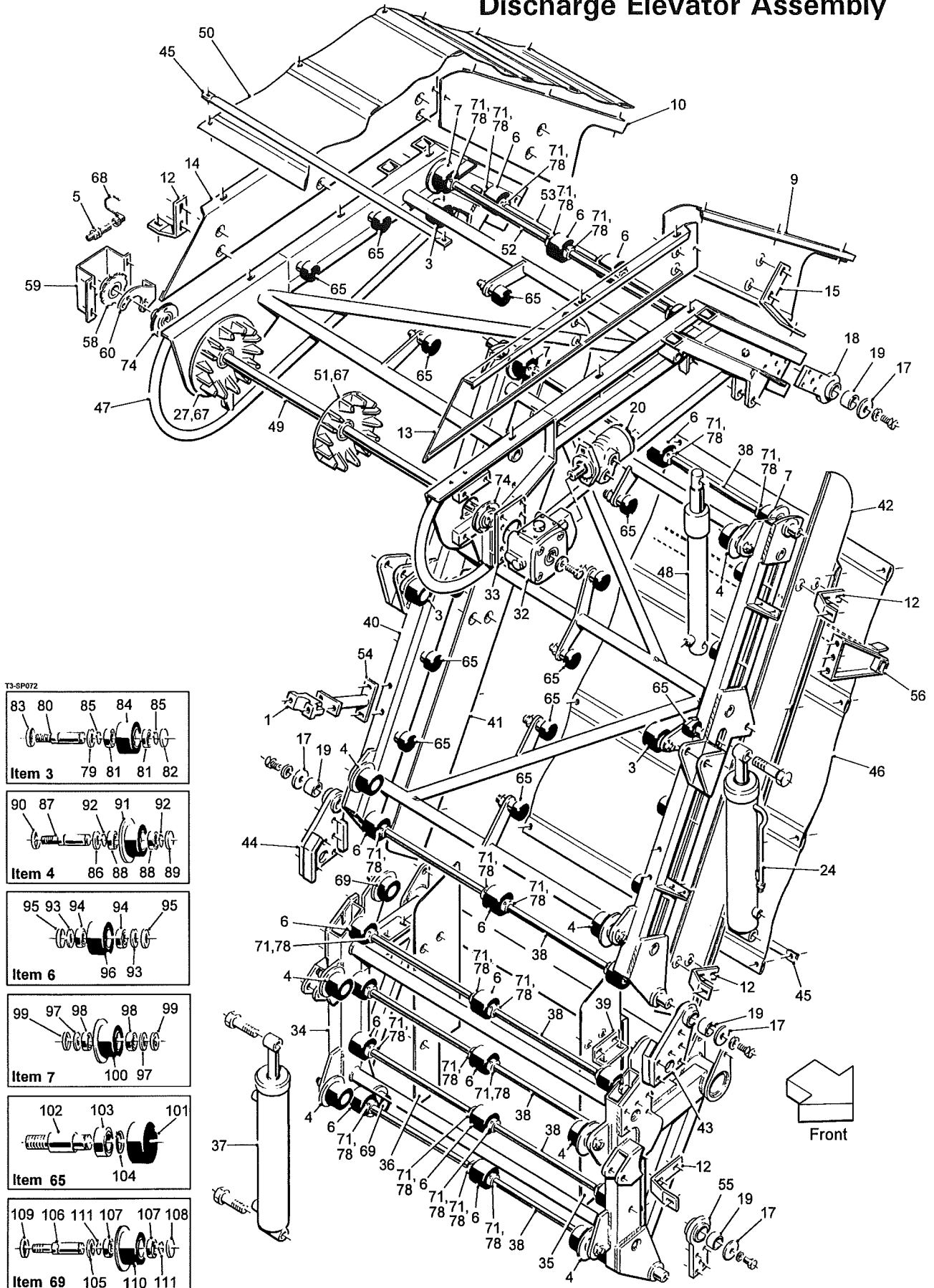
Cross Elevator Assembly**Assy No 56018**

Item	Part No.	Description	Qty.	Remarks
	0000301600	Roller Assembly Consists Of:		
47	0000301601	Roller	1	
48	0000301602	Spindle	1	
49	6204RS	Bearing	1	
50	12298	Circlip	1	
	56825	40mm Pitch Elevator Web Consists Of:		
51	56825/1	Web Belt	3	
52	56825/2	Joiner Set	3	
53	56825/3	Flight Moulding	67	
54	56825/4A	5 Web Bar Section	67	
55	56825/5	Side Finger Moulding	134	
56	56825/6	Joining Rod	1	
57	46847/4	Backing Plate (for rod & flight centre)	737	
58	RPF240.160250	Ø6x25 Rivet	1608	
59				
60				
61	56825/7	Web Bar (under joiner)	4	
62	56825/9	Flight Backing Plate (plain hole)	134	
	44237/14	Flight Backing Plate (tapped hole)	134	
63	56825/10	Backing Plate (4 hole tapped)	6	
64	22016006/020	M6x20 CSK Setscrew	134	Used with tapped backplate
65	22012006/035	M6x35 Hex Head Bolt	12	
66	22012008/035	M8x35 Hex Head Bolt	12	



Machines from 2015

Discharge Elevator Assembly



- T3-SP072
- | | | | | |
|--------|----|----|----|----|
| 83 | 80 | 85 | 84 | 85 |
| Item 3 | | | | |
| 79 | 81 | 81 | 82 | |
- | | | | | |
|--------|----|----|----|----|
| 90 | 87 | 92 | 91 | 92 |
| Item 4 | | | | |
| 86 | 88 | 88 | 89 | |
- | | | | | |
|--------|----|----|----|----|
| 95 | 93 | 94 | 94 | 95 |
| Item 6 | | | | |
| 96 | 93 | | | |
- | | | | | |
|--------|----|----|----|----|
| 99 | 97 | 98 | 98 | 99 |
| Item 7 | | | | |
| 100 | 97 | | | |
- | | | |
|---------|-----|-----|
| 102 | 103 | 101 |
| Item 65 | | |
| 104 | | |
- | | | | | | |
|---------|-----|-----|-----|-----|-----|
| 109 | 106 | 111 | 107 | 107 | 108 |
| Item 69 | | | | | |
| 105 | 110 | 111 | | | |

Machines from 2015

Discharge Elevator Assembly

Item	Part No.	Description	Qty.	Remarks
1	10415	Nylon Bearing Block	2	
2				
3	19356	Roller Assembly	4	(see list at end)
4	19357	Roller Assembly	8	(see list at end)
5	32037/1	Proximity Sensor	1	
6	32719	Roller Assembly	20	(see list at end)
7	32720	Roller Assembly	4	(see list at end)
8				
9	37151	Intermediate Front Web Side	1	
10	37152	Intermediate Rear Web Side	1	
11				
12	42227	Web Side Support	14	
13	42413	Upper Front Panel	1	
14	42414	Upper Rear Panel	1	
15	42535	Web Side Support	2	
16				
17	46196	Pivot Retainer	6	
18	56591	Top Pivot Plate	2	
19	46379	Plain Nylon Bearing	6	
20	46856	Hydraulic Motor	1	
21				
22				
23				
24	51044	Hydraulic Ram	2	
25				
26			1	
27	56884	80mm Pitch Web Sprocket	2	
28				
29				
30				
31				
32	56641	Gearbox	1	
33	56656	Gearbox Mounting Plate	1	
34	56241	Elevator Base Frame	1	
35	56242	Front Web Side	1	
36	56243	Rear Web Side	1	
37	56654	Hydraulic Ram	2	
38	56245	Tie Bar	6	
39	56246	Web Side Support	2	
40	56247	Elevator Centre Frame	1	
41	37153	Rear Web Side	1	
42	37154	Front Web Side	1	
43	56250	Front Pivot Plate	1	
44	56251	Rear Pivot Plate	1	
45	56252	Cover Mounting Tube	10	
46	56253	Centre Section Cover	1	
47	56653	Elevator Swan Neck Frame	1	
48	56256	Hydraulic Ram	2	
49	56655	Drive Shaft	1	
50	56258	Elevator Swan Neck Cover	1	
51	56885	80mm Pitch Centre Web Sprocket	1	

T3 SPARE PARTS

10.5b

Machines from 2015

Discharge Elevator Assembly

Item	Part No.	Description	Qty.	Remarks
52	56261	Tie Bar	1	
53	56262	Tie Bar	1	
54	56406	Elevator Support	2	
55	56533	Base Pivot Plate	2	
56	56536	Support Bridge	1	
57				
58	59276	Sensor Disc	1	
59	59313	Sensor Guard	1	
60	59364	Sensor Bracket	1	
61				
62				
63				
64				
65	0000301600	Roller Assembly	21	(see list at end)
66				
67	HER09681A	Taperlock Bush	3	
68	JK63720/5	Sensor Cable	1	
69	KA16029	Roller Assembly	4	(see list at end)
70				
71	PS488M	Ø25 Locking Collar	34	
72				
73				
74	RAY35	Bearing	2	
75				
76				
77				
78	SS050026/002	Steel Spacer	48	
	19356	Roller Assembly Consists Of:		
79	0000300504	Felt Seal	1	
80	11265	Roller Spindle	1	
81	6005RS	Bearing	2	
82	PH407	Seal	1	
83	PH408	Seal	1	
84	PH77AR	Plain Roller	1	
85	PS843	Circlip	2	
	19357	Roller Assembly Consists Of:		
86	0000300504	Felt Seal	1	
87	PH406AM	Roller Spindle	1	
88	6005RS	Bearing	2	
89	PH407	Seal	1	
90	PH408	Seal	1	
91	PH51AR	Flanged Roller	1	
92	PS843	Circlip	2	
	32719	Roller Assembly Consists Of:		
93	0000300504	Felt Seal	2	
94	6005RS	Bearing	2	
95	PH408	Seal	2	
96	PH77AR	Plain Roller	1	
	32720	Roller Assembly Consists Of:		
97	0000300504	Felt Seal	2	
98	6005RS	Bearing	2	

10.5c**T3 SPARE PARTS**

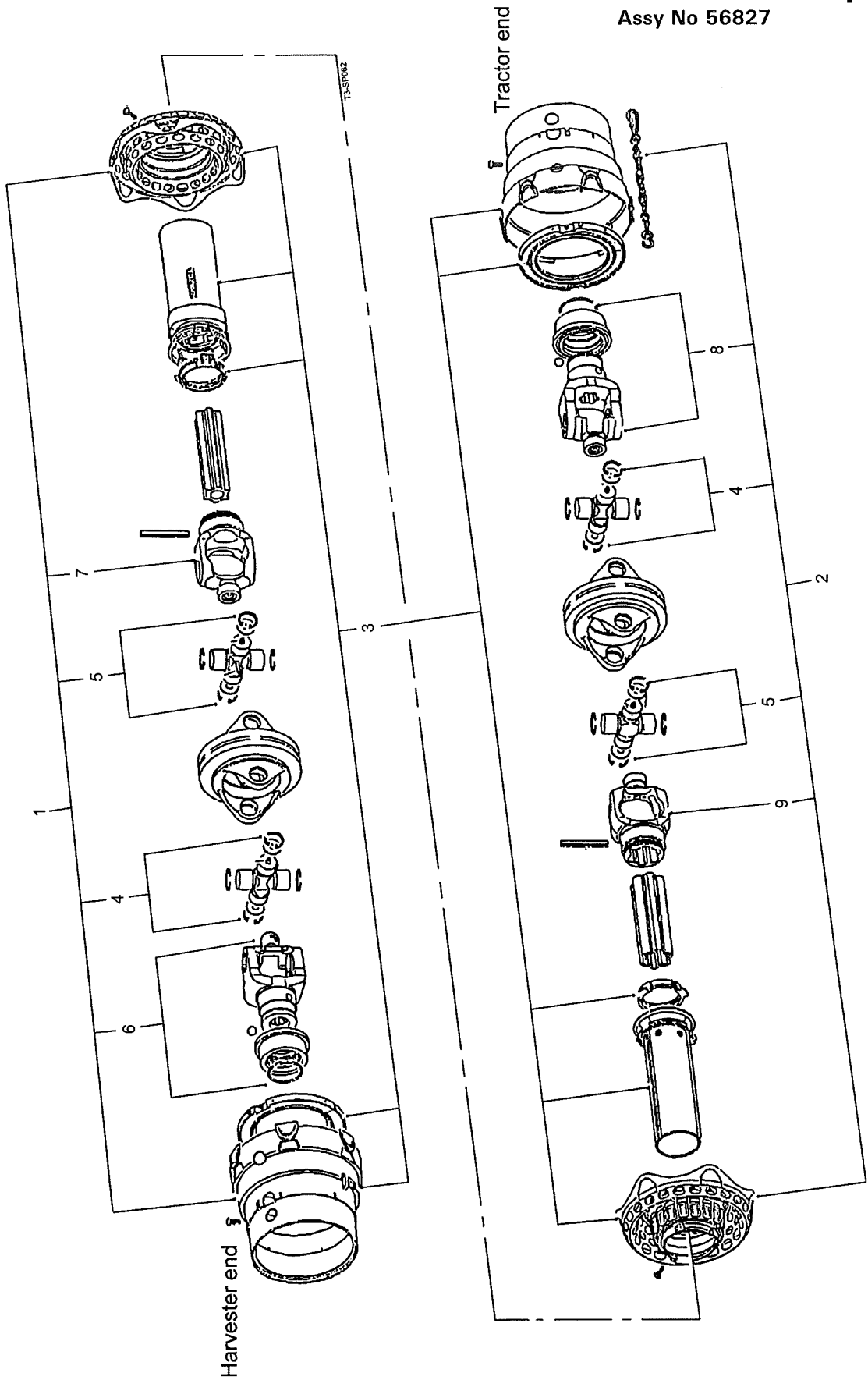
Machines from 2015

Discharge Elevator Assembly

Item	Part No.	Description	Qty.	Remarks
99	PH408	Seal	2	
100	PH51AR	Flanged Roller	1	
	0000301600	Roller Assembly Consists Of:		
101	0000301601	Roller	1	
102	0000301602	Spindle	1	
103	6204RS	Bearing	1	
104	12298	Circlip	1	
	KA16029	Roller Assembly Consists Of:		
105	0000300504	Felt Seal	1	
106	KA16029/2	Spindle	1	
107	6005RS	Bearing	2	
108	PH407	Seal	1	
109	PH408	Seal	1	
110	KA16029/1	Flanged Roller	1	
111	PS843	Circlip	2	

Machines from 2015

PTO Drive Coupling
Assy No 56827



11.1a**T3 SPARE PARTS**

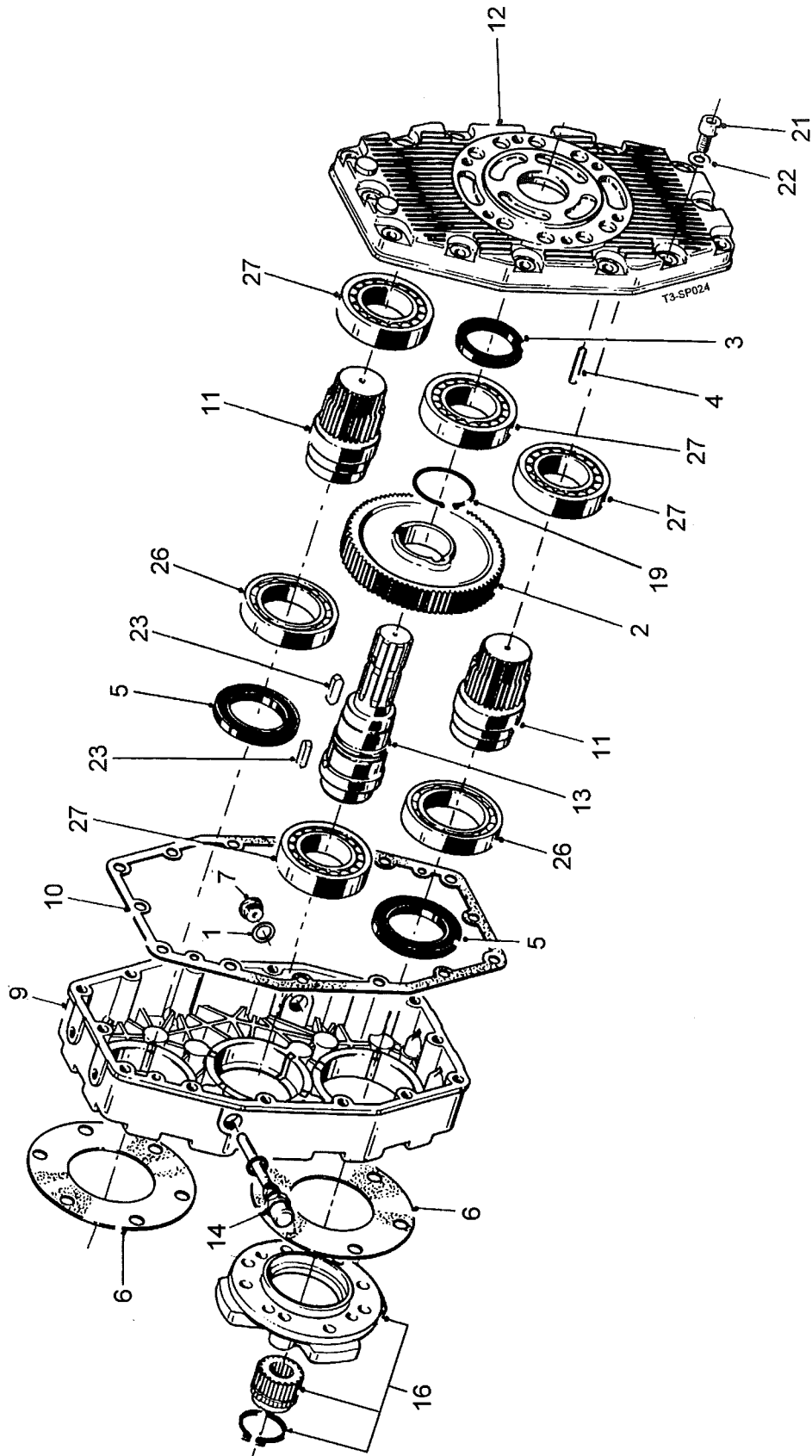
Machines from 2015

PTO Drive Coupling**Assy No 56827**

Item	Part No.	Description	Qty.	Remarks
1	56827A	1 3/8" 6 Spline Half Shaft Complete	1	(attached to harvester)
2	56827B	1 3/4" 20 Spline Half Shaft Complete	1	(attached to tractor)
	56827C	1 3/8" 21 Spline Half Shaft Complete	1	(attached to tractor)
3	56827/1	Guard Complete	1	
4	56827/2	Cross Journal Set	2	
5	56827/3	Cross Journal Set	2	
6	56827A/1	1 3/8" 6 Spline Yoke	1	
7	56827A/2	Inner Tube Yoke	1	
8	56827B/1	1 3/4" 20 Spline Yoke	1	
	56827C/1	1 3/8" 21 Spline Yoke	1	
9	56827B/2	Outer Tube Yoke	1	

Machines from 2015

Front Gearbox
Assy No 56108



11.2a**T3 SPARE PARTS**

Machines from 2015

Front Gearbox**Assy No 56108**

Item	Part No.	Description	Qty.	Remarks
1	46336/5	3/8"Gasket	1	
2	56108/1	Crown Wheel (2.6:1)	1	
3	46336/8	Input Shaft Seal	1	
4	46336/12	Locating Pin	2	
5	46336/14	Shaft Seal (60x85x10)	2	
6	46336/15	Pump Flange Gasket	2	
7	46336/16	3/8"Magnetic Drain Plug	1	
8				
9	46337/1	Front Cover	1	
10	46337/2	Paper Gasket	1	
11	56108/2	Pinion (2.6:1)	2	
12	46337/4	Rear Cover	1	
13	46337/5	Male Shaft (1 3/8" DIN 9611)	1	
14	46337/6	Dipstick	1	
15				
16	46417	Flange Adaptor Kit	2	
17				
18				
19	46563	External Circlip	1	
20				
21	22015010/050	M10x50mm Bolt	14	
22	22052010	M10 Washer	14	
23	22062010/035	Key (10x8x35)	2	
24				
25				
26	6012	Bearing (60x95x18)	2	
27	NJ210	Bearing (50x90x20)	4	

Machines from 2015

Tractor Powered Hydraulics

Assy No 56060

Item	Part No.	Description	Qty.	Remarks
1	10128	3/8"BSP M F Swivel Adaptor	1	
2				
3	11108	3/4"Male Quick Release Coupling	2	
4	11114	1"BSP M M Adaptor	1	
5	11122	1"BSP Dowty Seal	2	
6	11123	3/4"BSP Dowty Seal	3	
7	11124	1/2"BSP Dowty Seal	11	
8	11125	3/8"BSP Dowty Seal	33	
9	11295	1/2"BSPx3/4"BSP M M Adaptor	1	
10	11336	1/4"BSPx3/8"BSP M M Adaptor	10	
11	11337	1/4"BSP Dowty Seal	22	
12	11607	1/4"BSP Fx3/8"BSPM Swivel Adaptor	1	
13				
14	12315	1/2"BSP M M Adaptor	7	
15	12316	1/4"BSP M M Adaptor	18	
16	12560	3/4"BSPx1"BSP M M Adaptor	2	
17				
18	13189	3/8"BSP MF Swept 90°Adaptor	3	
19				
20				
21	27459	M18x1/2"BSP M M Adaptor	1	
22	27460	M18x1/4"BSP M M Adaptor	5	
23	27461	M18 Dowty Seal	12	
24	32577	1/4"Hose Assembly (1250mm)	1	
25	31099	1/2"BSPF x1/4"BSPM Swivel Adaptor	1	
26	31167	M22 Dowty Seal	3	
27	31168	M22x1/2"BSP M M Adaptor	1	
28	32474	1/4"BSP MF Compact 90°Adaptor	4	
29	32475	1/2"BSP MF Compact 90°Adaptor	2	
30	37172	1/2"BSP M M F Tee	1	
31	37199	1/4"BSP M M F Tee	7	
32	37367	1/2"BSP FMF Tee	1	
33	37599	M18x3/8"BSP M M Adaptor	6	
34	41171	1/4"Hose Assembly (900mm)	2	
35	41485	1/4"BSP Shut-off Valve	1	
36	32890	1/4"Hose Assembly (1500mm)	1	
37	42310	Ø15mm Steel Pipe Assembly	2	
38	42322	1/2"Hose Assembly (1200mm)	1	Standard chassis
	60293	1/2"Hose Assembly (1900mm)	1	Long chassis
39	42325	1/2"Hose Assembly (950mm)	2	
40	42367	Pipe Clamp (12-12-15-15)	2 pair	
41	42653	3/8"BSP Breather Plug	2	
42	42368	Pipe Clamp (16-16)	2 pair	
43				
44	44204	M22x1"BSP M M Adaptor	2	
45	44207	M14x1/4"BSP M M Adaptor	21	
46	44208	M14 Dowty Seal	21	
47	44376	1/2"BSP MF Swept 45°Adaptor	1	
48	46747	1/2"BSP F F Compact 90°Adaptor	1	
49	46807	1/2"BSP Inline Check Valve	1	
50	51140	1/2"Hose Assembly (1400mm)	1	Standard chassis
	32887	1/2"Hose Assembly (2000mm)	1	Long chassis
51	42305	1/8"BSP Gauge Port	1	
52	51527	1/4"Hose Assembly (2300mm)	1	
53	51585	1/2"BSP Accumulator	1	

T3 SPARE PARTS

11.3b

Machines from 2015

Tractor Powered Hydraulics

Assy No 56060

Item	Part No.	Description	Qty.	Remarks
54	51588	1/2"BSPMx1/4"BSPF Swivel Adaptor	1	
55	56300	Filter Assembly	1	Element only 51345/1
56	56303	Pipe Clamp (30-30-30-12)	12 pair	
57	56304	Pipe Clamp (17.5-10-10-10-12)	16 pair	
58	56305	Pipe Clamp (30)	1 pair	
59	56316	Pipe Clamp (11.5-24-15.5-24-11.5)	1 pair	
60	56434	Adaptor Pipe	1	
61	56457	Pipe Clamp (12-10-20-10-10-20-10)	3 pair	
62	56458	Pipe Clamp (10-10-10-10-10)	3 pair	
63	56541	Pipe Clamp	6	
64	56905	Pipe Clamp (11.5-11.5-11.5)	3 pair	
65				
66	59103	Valve Bank Assembly	1	(see list at end)
67	59104	Slave Valve	1	
68	59204	Flow Control Valve	1	
69	59215	Motor Valve c/w O' Rings	1	
70	59280	Valve Base	1	
71				
72				
73				
74				
75	60115	1/4"BSPx10L M M Adaptor	2	
76	60146	Ø30 Steel Pipe Assembly	1	
77	60147	Ø30 Steel Pipe Assembly	1	
78	60152	Ø10 Steel Pipe Assembly	1	
79	60153	Ø10 Steel Pipe Assembly	1	
80	60154	Ø10 Steel Pipe Assembly	1	
81	60159	Ø12 Steel Pipe Assembly	1	
82	60160	Ø12 Steel Pipe Assembly	1	
83	60161	1"BSP M F Gauge Port	1	
84	60162	1"Hose Assembly (4100mm)	2	
85	60163	1/4"Hose Assembly (2900mm)	1	
86	60164	1/4"Hose Assembly (800mm)	2	
87	60166	3/8" BSP Quick Release Coupling	1	
88	60167	3/8"Hose Assembly (825mm)	2	
89	60169	3/8"Hose Assembly (1400mm)	4	
90	60170	3/8"Hose Assembly (625mm)	2	
91	60171	3/8"Hose Assembly (2225mm)	2	
92	60192	1"Hose Assembly (700mm)	1	
93	60193	1"Hose Assembly (1850mm)	1	
94	60198	1/4"Hose Assembly (2100mm)	1	
95	60222	1/4"Hose Assembly (450mm)	2	
96	60600	1/4"Hose Assembly (3800mm)	2	
97	60231	1/4"Hose Assembly (3700mm)	3	
98	60232	1/4"Hose Assembly (1400mm)	2	
99	60239	3/8"Hose Assembly (2500mm)	2	Standard chassis
	60480	3/8"Hose Assembly (3200mm)	2	Long chassis
100	60240	1/4"Hose Assembly (3700mm)	1	Standard chassis
	*****	1/4"Hose Assembly (4420mm)	1	Long chassis
101	60241	1/2"Hose Assembly (2600mm)	2	Standard chassis
	60646	1/2"Hose Assembly (3200mm)	2	Long chassis
102	60247	3/8"Hose Assembly (2600mm)	1	Standard chassis
	60480	3/8"Hose Assembly (3200mm)	1	Long chassis
103	60248	3/8"Hose Assembly (2450mm)	1	Standard chassis
	52312	3/8"Hose Assembly (3000mm)	1	Long chassis

Machines from 2015

Tractor Powered Hydraulics

Assy No 56060

Item	Part No.	Description	Qty.	Remarks
104	60255	1/4"Hose Assembly (1200mm)	1	
105	60262	Ø10 Steel Pipe Assembly	1	
106	60263	Ø10 Steel Pipe Assembly	1	
107	60264	Ø10 Steel Pipe Assembly	1	
108	60265	Ø10 Steel Pipe Assembly	1	
109	60317	1/4"Hose Assembly (1000mm)	2	
110	60350	3/8"BSP 2-Way Ball Valve	1	
111	60599	1/4"Hose Assembly (4400mm)	1	
112	60354	1/4"Hose Assembly (650mm)	1	
113	60371	Ø15mm Steel Pipe Assembly	1	
114	60372	Ø15mm Steel Pipe Assembly	1	
115	60373	1/2"Hose Assembly (450mm)	2	
116	60376	Ø10 Steel Pipe Assembly	1	
117	60493	Ø10 Steel Pipe Assembly	2	
118	60498	1/4"Hose Assembly (1200mm)	2	
119	60172	1/4"Hose Assembly (2300mm)	2	Single ram use 60499
120	60500	1/4"Hose Assembly (500mm)	2	
121	60501	1/4"Hose Assembly (900mm)	2	
122	60502	1/4"Hose Assembly (1700mm)	2	
123	60503	3/8"Hose Assembly (2200mm)	1	
124	60504	3/8"Hose Assembly (1400mm)	1	
125	60505	1/4"Hose Assembly (1450mm)	2	
126	60506	1/4"Hose Assembly (1900mm)	2	
127	60511	1/4"Hose Assembly (4650mm)	4	
128	60512	1/4"Hose Assembly (900mm)	2	
129	60518	1/2"Hose Assembly (3150mm)	2	
130	60520	3/4"BSP Female Blanking Cap	1	Not used with sweeping clod fingers
131	60457	1/4"Hose Assembly (3300mm)	1	
132	60639	1/4"BSPxM12 M M Adaptor	1	
133	60640	M12 Dowty Seal	1	
134				
135				
136				
137				
138	22106008/100	M8X100 Clamp Stud	20	
139				
140				
141	DW202046260	3/8"BSP 3-Way Ball Valve	1	
142	DW801992	Junction Block	2	
143				
144	RPS892	Pipe Shield	4	
145	RPS934	Bleed Valve Mounting Plate	1	
146	RPS935	3/8"BSP Pressure Relief Valve	1	
147	RPS936	3/8"BSP Gauge Port	1	
148				
149				
150	UC31A	3/8"BSP M M Adaptor	13	
	59103	Valve Bank Assembly Consists Of:		
151	46285/6	End Plate	1	
152	-	'Elevator Motor' Section	1	
153	46285/4	Inlet Section	1	
154	51028/1	'Swan Neck' Section	1	
155	-	'Elevator Centre' Section	1	

T3 SPARE PARTS**11.3d**

Machines from 2015

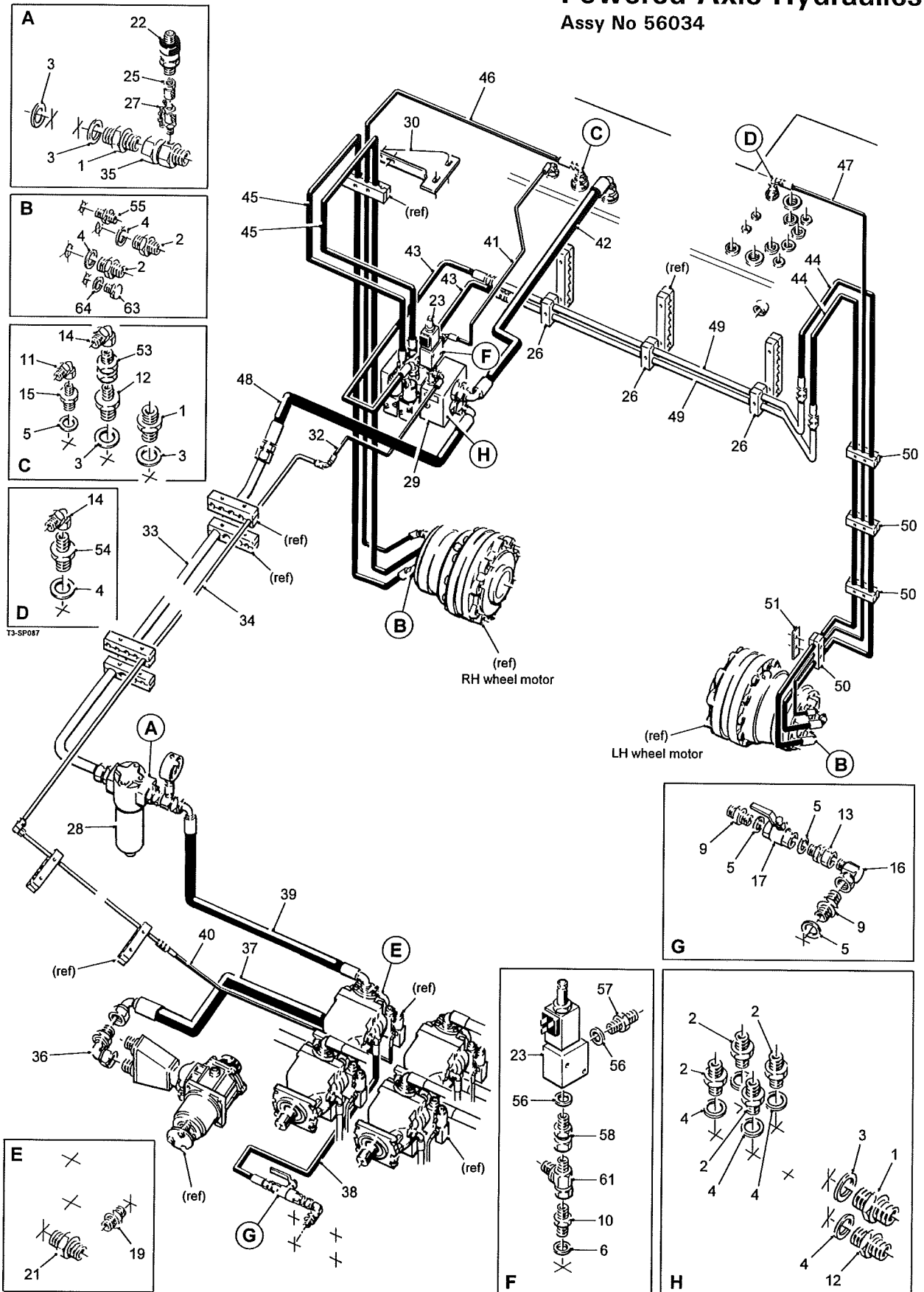
Tractor Powered Hydraulics**Assy No 56060**

Item	Part No.	Description	Qty.	Remarks
156	46285/1	'Elevator Base' Section	1	
157	46285/1	'Axle Steer' Section	1	
158	51028/1	'LH Digger' Section	1	
159	51028/1	'RH Digger' Section	1	
160	46285/10	'Slave Valve' Section	1	
161	46285/7	End Plate	1	



Machines from 2015

Powered Axle Hydraulics Assy No 56034



Machines from 2015

Powered Axle Hydraulics

Assy No 56034

Item	Part No.	Description	Qty.	Remarks
1	11114	1"BSP M M Adaptor	3	
2	11115	3/4"BSP M M Adaptor	8	
3	11122	1"BSP Dowty Seal	5	
4	11123	3/4"BSP Dowty Seal	10	
5	11124	1/2"BSP Dowty Seal	4	
6	11337	1/4"BSP Dowty Seal	1	
7				
8				
9	12315	1/2"BSP M M Adaptor	2	
10	12316	1/4"BSP M M Adaptor	1	
11	12378	1/4"BSP M F Swept 90°Adaptor	1	
12	12560	1"BSPx3/4"BSP M M Adaptor	2	
13	12602	1/2"BSP M F Swivel Adaptor	1	
14	13189	3/8"BSP M F Swept 90°Adaptor	2	
15	16356	1/4"BSPx1/2"BSP M M Adaptor	1	
16	32475	1/2"BSP M F Compact 90°Adaptor	1	
17	37019	1/2"BSP Shut-off Valve	1	
18				
19	44198	1/4"BSPx7/16"UNF M M Adaptor	1	
20				
21	46303	1/2"BSPx7/8"UNF M M Adaptor	1	
22	62774	Pressure Transmitter (400 Bar)	1	
23	59205	Pressure Control Valve	1	
24				
25	46960	Female Gauge Adaptor	1	
26	46752	Pipe Clamp (20-20)	3 pairs	
27	42305	1/8"BSP Gauge Port	1	
28	56300	Filter Assembly	1	Element only 51345/1
29	56329	Valve Assembly	1	
30	56447	Hose Support Bracket	1	
31				
32	60638	1/4" 5K Hose Assembly (400mm)	1	
33	60148	Ø30 Steel Pipe Assembly	1	
34	60155	Ø10 Steel Pipe Assembly	1	
35	60161	1"BSP M F Gauge Port	1	
36	60175	1 1/2"BSP M F Swept 90°Adaptor	1	
37	60179	1 1/2"Hose Assembly (630mm)	1	
38	60182	1/2"Hose Assembly (575mm)	1	
39	60186	1"Hose Assembly (1850mm)	1	
40	60637	1/4" 5K Hose Assembly (1000mm)	1	
41	60201	1/4"Hose Assembly (1100mm)	1	
42	60203	1"Hose Assembly (1100mm)	1	
43	60223	5/8"Hose Assembly (600mm)	2	
44	60224	5/8" 5K Hose Assembly (3800mm)	2	
45	60225	5/8" 5K Hose Assembly (4100mm)	2	
46	60226	3/8"Hose Assembly (4800mm)	1	
47	60227	3/8"Hose Assembly (3800mm)	1	
48	60237	1"Hose Assembly (1000mm)	1	
49	60260	Ø20 Steel Pipe Assembly	2	
50	56904	Pipe Clamp (24-15.5-24)	4 pairs	
51	56913	Pipe Clamp Plate	1	
52				
53	TBMW607	3/8"BSPMx3/4"BSPF Swivel Adaptor	1	
54	SPCT7	3/4"BSPx3/8"BSP M M Adaptor	1	
55	SPTT60A	3/8"BSPx3/4"UNF M M Adaptor	2	

T3 SPARE PARTS**11.4b**

Machines from 2015

Powered Axle Hydraulics**Assy No 56034**

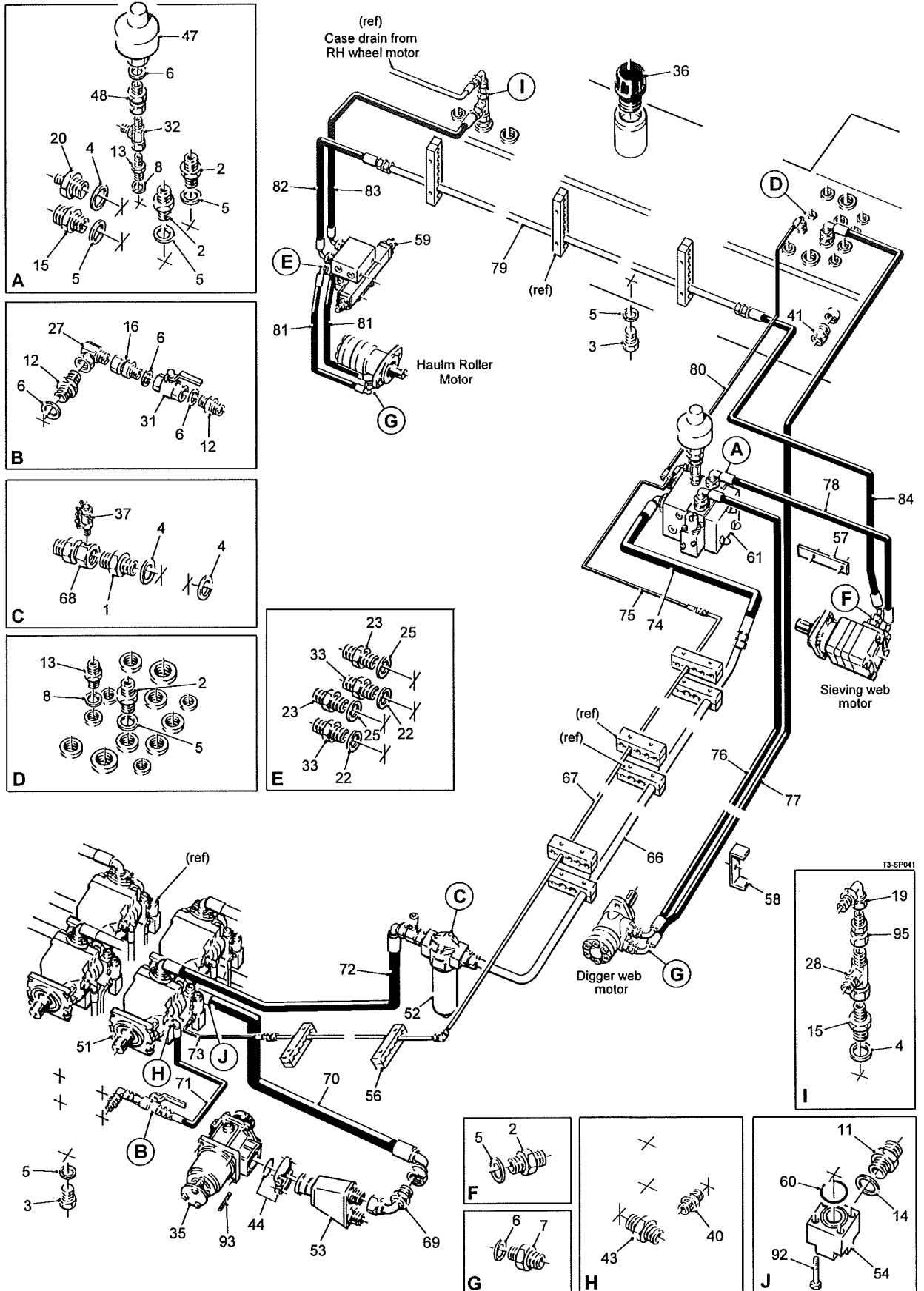
Item	Part No.	Description	Qty.	Remarks
56	11125	3/8"BSP Dowty Seal	2	
57	11336	1/4"BSPx3/8"BSP M M Adaptor	1	
58	11607	3/8"BSP Mx1/4"BSPF Swivel Adaptor	1	
59				
60				
61	37197	1/4"BSP FMM Tee	1	
62				
63	60643	9/16"UNF Blanking Plug	2	
64	60644	9/16"UNF Dowty Seal	2	



Machines from 2015

Digger Web & Sieving Web Hydraulics

Assy No 56061



Machines from 2015

Digger Web & Sieving Web Hydraulics

Assy No 56061

Item	Part No.	Description	Qty.	Remarks
1	11114	1"BSP M M Adaptor	1	
2	11115	3/4"BSP M M Adaptor	5	
3	11117	3/4"BSP Blanking Plug	2	
4	11122	1"BSP Dowty Seal	4	
5	11123	3/4"BSP Dowty Seal	8	
6	11124	1/2"BSP Dowty Seal	8	
7	11295	1/2"BSPx3/4"BSP M M Adaptor	4	
8	11337	1/4"BSP Dowty Seal	2	
9				
10				
11	12314	1 1/2"BSP M M Adaptor	1	
12	12315	1/2"BSP M M Adaptor	2	
13	12316	1/4"BSP M M Adaptor	2	
14	12352	1 1/2"BSP Dowty Seal	1	
15	12560	3/4"BSPx1"BSP M M Adaptor	2	
16	12602	1/2"BSP M F Swivel Adaptor	1	
17				
18				
19	13189	3/8"BSP M F Swept 90°Adaptor	1	
20	13346	1/4"BSPx1"BSP M M Adaptor	1	
21				
22	27461	M18 Dowty Seal	2	
23	27904	M22x3/4"BSP M M Adaptor	2	
24				
25	31167	M22 Dowty Seal	2	
26				
27	32475	1/2"BSP M F Compact 90°Adaptor	1	
28	32512	3/4"BSP F M M Tee	1	
29				
30				
31	37019	1/2"BSP Shut Off Valve	1	
32	37197	1/4"BSP F M M Tee	1	
33	37368	M18x3/4"BSP M M Adaptor	2	
34				
35	42065	Suction Filter Complete	1	
36	42066	Filler Cap	1	
37	42305	1/8"BSP Gauge Port	1	
38				
39				
40	44198	1/4"BSPx7/16"UNF M M Adaptor	1	
41	44250	3/4"BSP Oil Level Indicator	1	
42				
43	46303	1/2"BSP7/8"UNF M M Adaptor	1	
44	46503	2 1/2"Split Flange Kit c/w 'O'Ring	1	'O'Ring only 46503/1
45				
46				
47	51585	1/2"BSP Accumulator	1	
48	51588	1/4"BSPFx1/2"BSPM Swivel Adaptor	1	
49				
50				
51	56116	Double pump Assembly	1	
52	56300	Filter Assembly	1	Element only 51345/1
53	56301	Suction Manifold	1	
54	56302	Pump Adaptor Block	1	
55				

T3 SPARE PARTS**11.5b**

Machines from 2015

Digger Web & Sieving Web Hydraulics

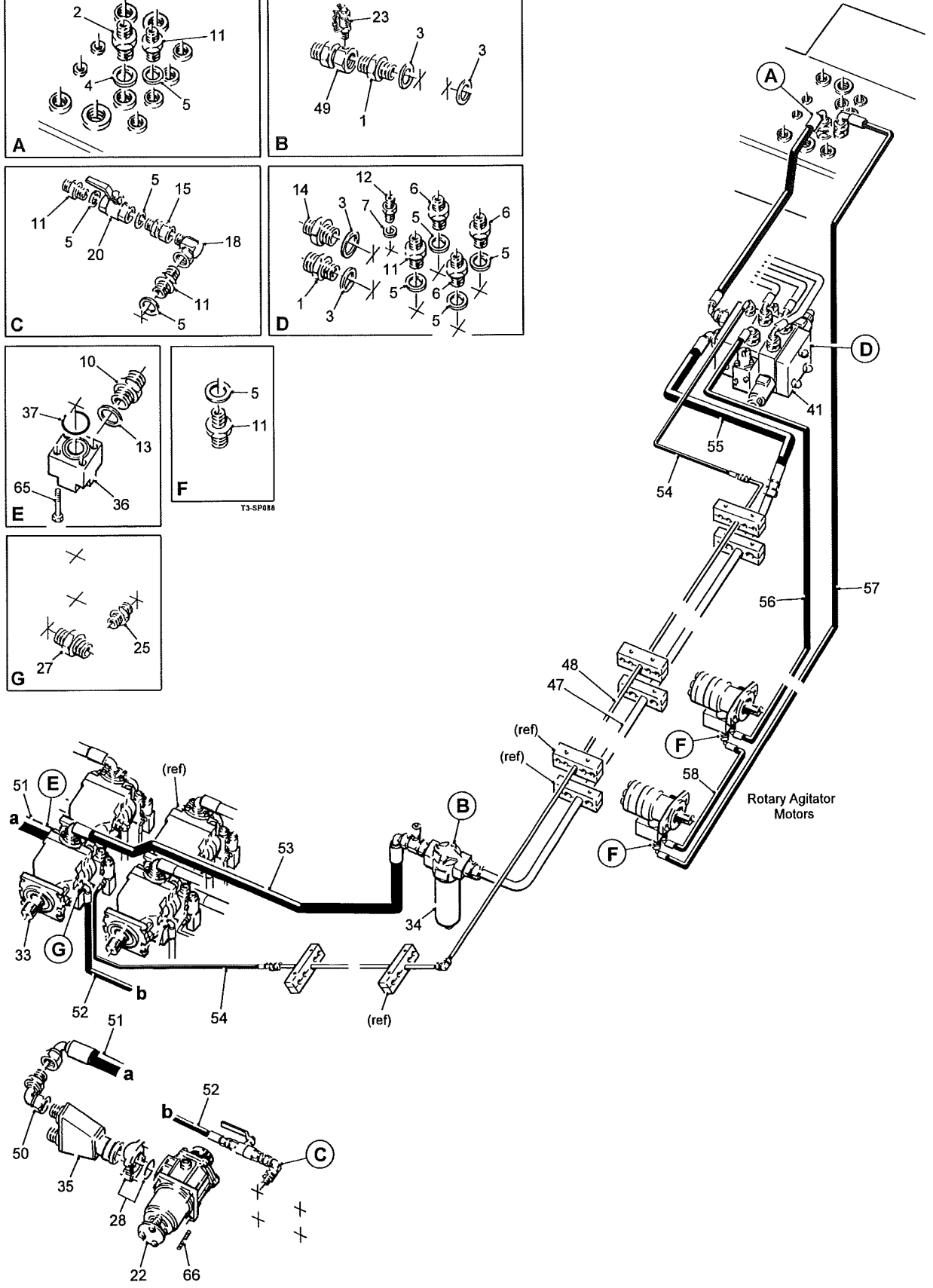
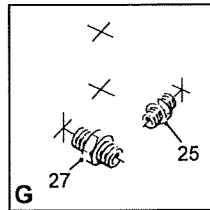
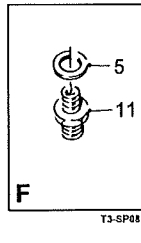
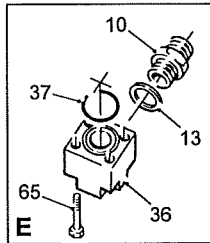
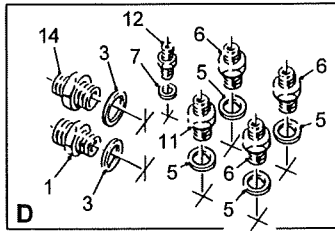
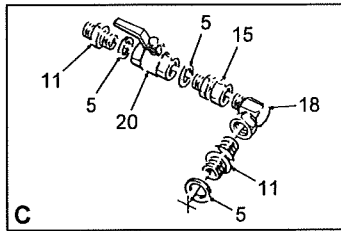
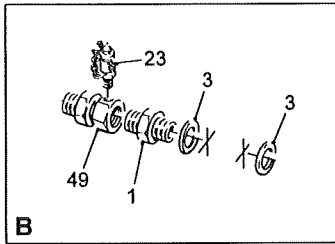
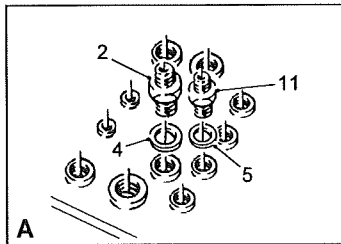
Assy No 56061

Item	Part No.	Description	Qty.	Remarks
56	56304	Pipe Clamp (17.5-10-10-10-12)	2 pair	
57	56540	Pipe Clamp	1	
58	56541	Pipe Clamp	3	
59	56619	Valve Assembly	1	
60	56637	2"Flange 'O'Ring	1	
61	56817	Valve Assembly	1	
62				
63				
64				
65				
66	60150	Ø30 Steel Pipe Assembly	1	
67	60156	Ø10 Steel Pipe Assembly	1	
68	60161	1"BSP M F Gauge Port	1	
69	60175	1 1/2"BSP M F Swept 90°Adaptor	1	
70	60176	1 1/2"Hose Assembly (610mm)	1	
71	60180	1/2"Hose Assembly (525mm)	1	
72	60183	1"Hose Assembly (1600mm)	1	
73	60187	1/4"Hose Assembly (900mm)	1	
74	60190	1"Hose Assembly (850mm)	1	
75	60196	1/4"Hose Assembly (400mm)	1	
76	60204	3/4"Hose Assembly (5000mm)	1	
77	60205	3/4"Hose Assembly (6000mm)	1	
78	60208	3/4"Hose Assembly (1400mm)	1	
79	60492	Ø20 Steel Pipe Assembly	1	
80	60513	1/4"Hose Assembly (1100mm)	1	
81	60514	3/4"Hose Assembly (900mm)	2	
82	60515	3/4"Hose Assembly (900mm)	1	
83	60516	3/4"Hose Assembly (1600mm)	1	
84	60517	3/4"Hose Assembly (1700mm)	1	
85				
86				
87				
88				
89				
90				
91				
92	22028050/325	1/2"UNC x 3 1/4" Bolt	4	
93	22106010/040	M10x40 Mounting Stud	4	
94				
95	TBMW607	3/8"BSPMx3/4"BSPF Swivel Adaptor	1	



Machines from 2015

Front Separator Hydraulics Assy No 56062



Machines from 2015

Front Separator Hydraulics

Assy No 56062

Item	Part No.	Description	Qty.	Remarks
1	11114	1"BSP M M Adaptor	2	
2	11115	3/4"BSP M M Adaptor	1	
3	11122	1"BSP Dowty Seal	4	
4	11123	3/4"BSP Dowty Seal	1	
5	11124	1/2"BSP Dowty Seal	12	
6	11295	1/2"BSPx3/4"BSP M M Adaptor	3	
7	11337	1/4"BSP Dowty Seal	1	
8				
9				
10	12314	1 1/2"BSP M M Adaptor	1	
11	12315	1/2"BSP M M Adaptor	8	
12	12316	1/4"BSP M M Adaptor	1	
13	12352	1 1/2"BSP Dowty Seal	1	
14	12560	3/4"BSPx1"BSP M M Adaptor	1	
15	12602	1/2"BSP M F Swivel Adaptor	1	
16				
17				
18	32475	1/2"BSP M F Compact 90° Adaptor	1	
19				
20	37019	1/2"BSP Shut-off Valve	1	
21				
22	42065	Suction Filter Complete	1	
23	42305	1/8"BSP Gauge Port	1	
24				
25	44198	1/4"BSPx7/16"UNF M M Adaptor	1	
26				
27	46303	1/2"BSP7/8"UNF M M Adaptor	1	
28	46503	2 1/2"Split Flange Kit c/w 'O'Ring	1	'O' ring only 46503/1
29				
30				
31				
32				
33	56116	Double Pump Assembly	1	
34	56300	Filter Assembly	1	Element only 51345/1
35	56301	Suction Manifold	1	
36	56302	Pump Adaptor Block	1	
37	56637	2"Flange 'O'Ring	1	
38				
39				
40				
41	59106	Valve Assembly	1	
42				
43				
44				
45				
46	60042	3/4"Hose Assembly (585mm)	1	
47	60149	Ø30 Steel Pipe Assembly	1	
48	60157	Ø10 Steel Pipe Assembly	1	
49	60161	1"BSP M F Gauge Port	1	
50	60175	1 1/2"BSP M F Swept 90° Adaptor	1	
51	60178	1 1/2"Hose Assembly (610mm)	1	
52	60182	1/2"Hose Assembly (575mm)	1	
53	60185	1"Hose Assembly (2000mm)	1	
54	60189	1/4"Hose Assembly (1000mm)	2	
55	60190	1"Hose Assembly (850mm)	1	

T3 SPARE PARTS**11.6b**

Machines from 2015

Front Separator Hydraulics**Assy No 56062**

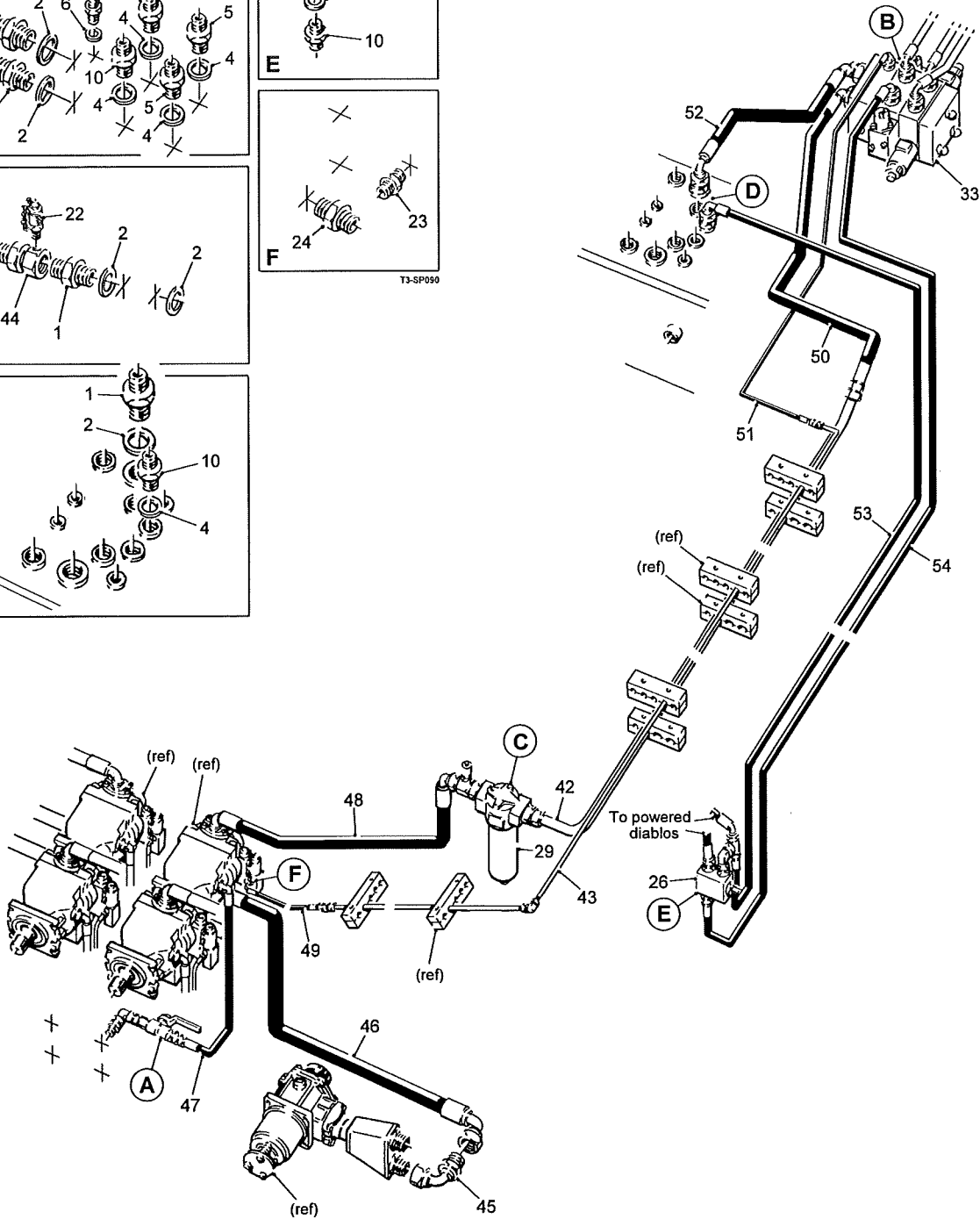
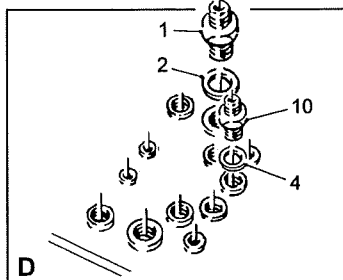
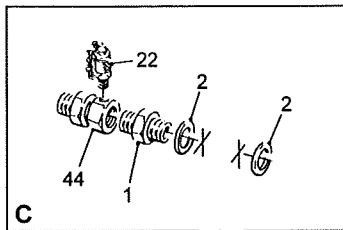
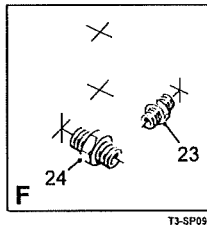
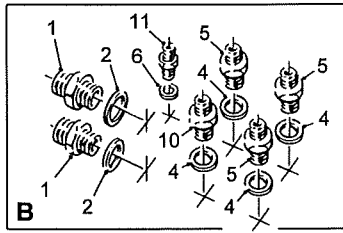
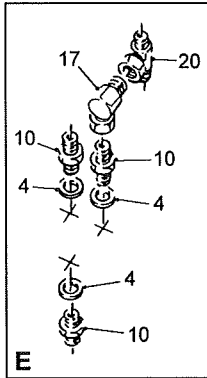
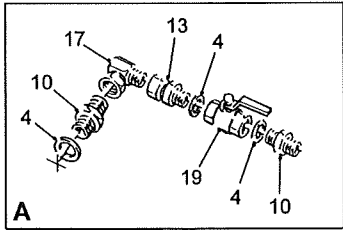
Item	Part No.	Description	Qty.	Remarks
56	60507	1/2"Hose Assembly (2150mm)	1	
57	60508	1/2"Hose Assembly (3750mm)	1	
58	60509	1/2"Hose Assembly (925mm)	1	
59				
60				
61				
62				
63				
64				
65	22028050/325	1/2"UNC x 3 1/4" Bolt	4	
66	22106010/040	M10x40 Mounting Stud	4	



Machines from 2015

Rear Separator Hydraulics

Assy No 56063



11.7a

T3 SPARE PARTS

Machines from 2015

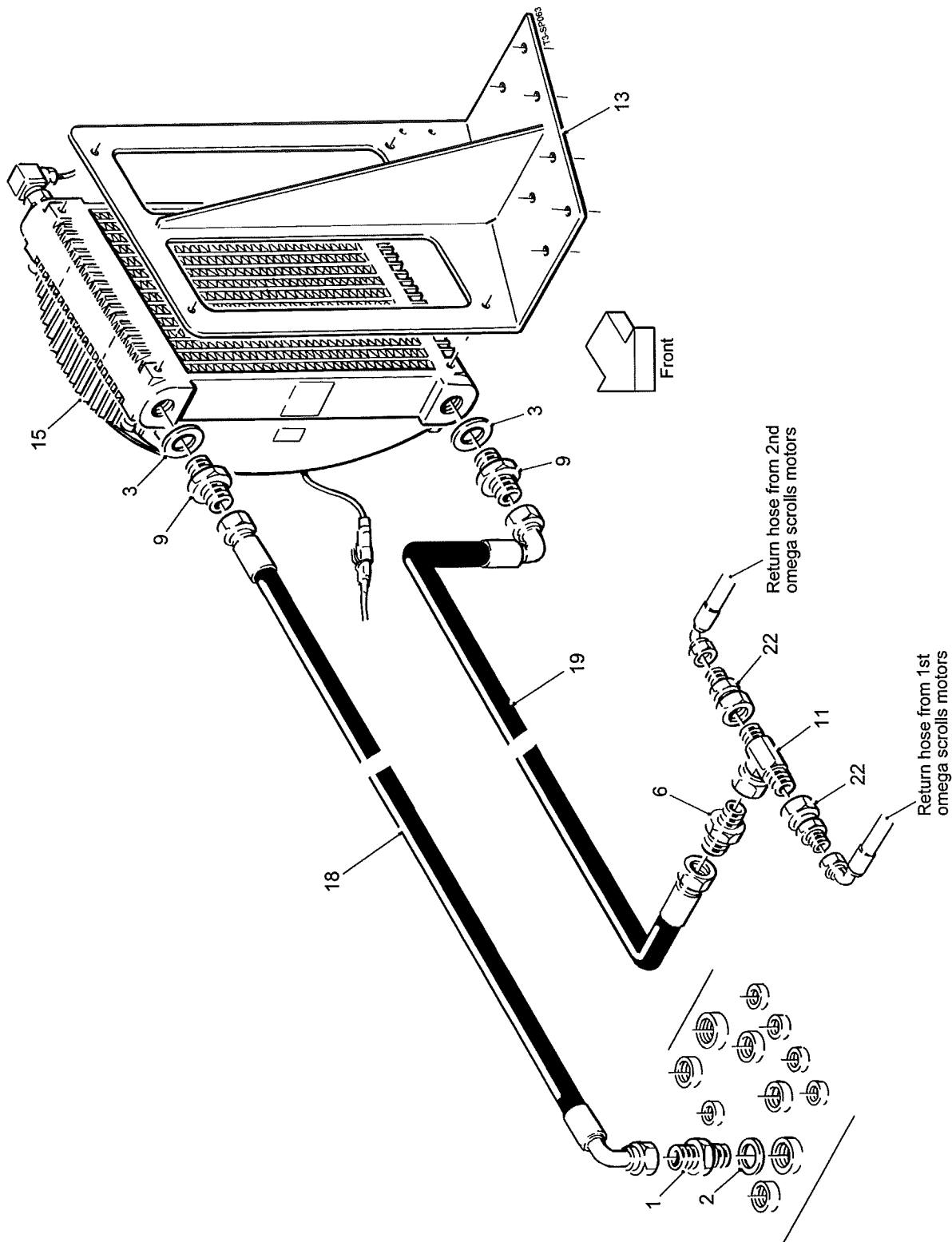
Rear Separator Hydraulics

Assy No 56063

Item	Part No.	Description	Qty.	Remarks
1	11114	1"BSP M M Adaptor	4	
2	11122	1"BSP Dowty Seal	5	
3				
4	11124	1/2"BSP Dowty Seal	11	
5	11295	1/2"BSPx3/4"BSP M M Adaptor	3	
6	11337	1/4"BSP Dowty Seal	1	
7				
8				
9				
10	12315	1/2"BSP M M Adaptor	4	
11	12316	1/4"BSP M M Adaptor	1	
12				
13	12602	1/2"BSP M F Swivel Adaptor	1	
14				
15				
16				
17	32475	1/2"BSP M F Compact 90°Adaptor	2	
18				
19	37019	1/2"BSP Shut-off Valve	1	
20	37367	1/2"BSP M F M Tee	1	
21				
22	42305	1/8"BSP Gauge Port	1	
23	44198	1/4"BSPx7/16"UNF M M Adaptor	1	
24	46303	1/2"BSP7/8"UNF M M Adaptor	1	
25				
26	51516	Pressure Relief Valve	1	
27				
28				
29	56300	Filter Assembly	1	Element only 51345/1
30				
31				
32				
33	59106	Valve Assembly	1	
34				
35				
36				
37				
38				
39				
40				
41				
42	60151	Ø30 Steel Pipe Assembly	1	
43	60158	Ø10 Steel Pipe Assembly	1	
44	60161	1"BSP M F Gauge Port	1	
45	60175	1 1/2"BSP M F Swept 90°Adaptor	1	
46	60177	1 1/2"Hose Assembly (630mm)	1	
47	60181	1/2"Hose Assembly (410mm)	1	
48	60184	1"Hose Assembly (1750mm)	1	
49	60188	1/4"Hose Assembly (1000mm)	1	
50	60191	1"Hose Assembly (1125mm)	1	
51	60197	1/4"Hose Assembly (1600mm)	1	
52	60202	1"Hose Assembly (650mm)	1	
53	60207	1/2"Hose Assembly (7200mm)	1	
54	60510	1/2"Hose Assembly (7400mm)	1	
55				

Machines from 2015

Hydraulic Oil Cooler Kit
Assy No 56070 & 56070L



11.8a**T3 SPARE PARTS**

Machines from 2015

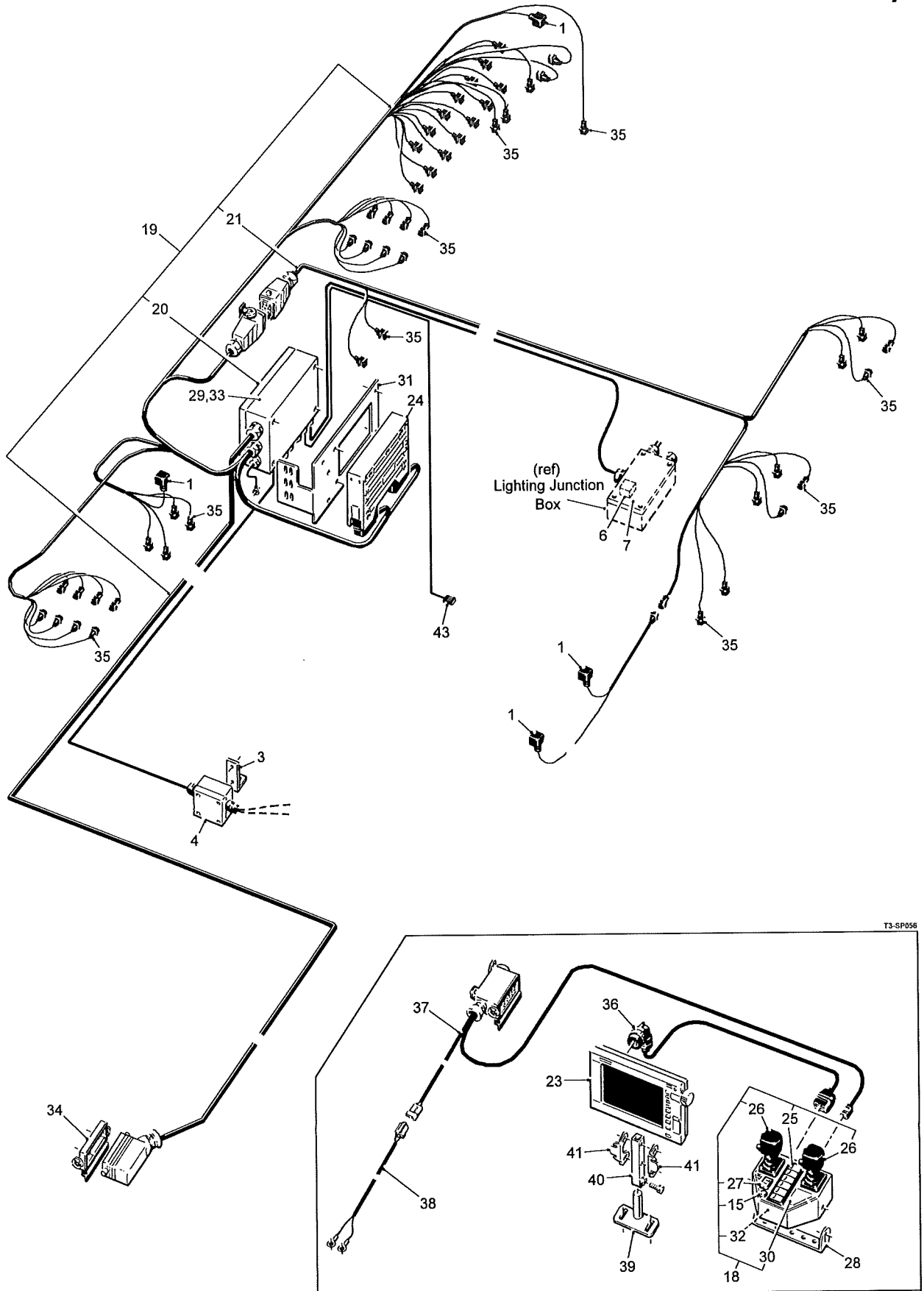
Hydraulic Oil Cooler Kit

Assy No 56070 & 56070L

Item	Part No.	Description	Qty.	Remarks
1	11114	1"BSP M M Adaptor	1	
2	11122	1"BSP Dowty Seal	1	
3	11740	1 1/4"BSP Dowty Seal	2	
4				
5				
6	12560	3/4"BSP x 1"BSP M M Adaptor	1	
7				
8				
9	23143	1"BSP x 1 1/4"BSP M M Adaptor	2	
10				
11	27811	3/4"BSP M M F Tee	1	
12				
13	56914	Oil Cooler Mounting	1	
14				
15	59344	Oil Cooler Complete	1	Thermostat only 59344/1
16				
17				
18	60541	1"Hose Assembly (2000mm)	1	Standard chassis
	60581	1"Hose Assembly (2660mm)		Long chassis
19	60542	1"Hose Assembly (2150mm)	1	Standard chassis
	60647	1"Hose Assembly (2800mm)		Long chassis
20				
21				
22	TBMW659	1/2"BSP Mx3/4"BSPF Swivel Adaptor	2	

Machines from 2015

Electrical Assembly



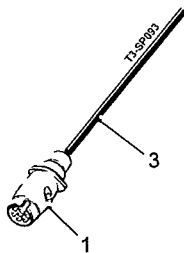
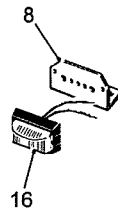
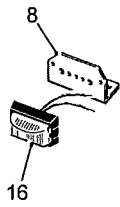
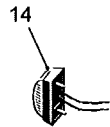
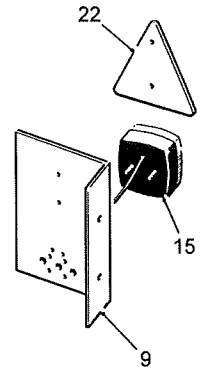
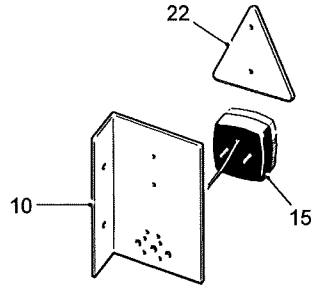
Machines from 2015

Electrical Assembly

Item	Part No.	Description	Qty.	Remarks
1	27189	Hirschman Plug	a/r	
2				
3	46940	Junction Box Mounting Bracket	1	
4	46892	Junction Box	1	
5				
6	51240	Working Lights Relay	1	
7	51247	25 Amp Fuse	1	
8				
9				
10				
11				
12				
13				
14				
15	57243	Green Push Button Switch	1	
16				
17				
18	59046	Slave Box Complete	1	
19	56467	Machine Loom Complete	1	
20	56467/1	Distribution Box and Loom	1	
21	56467/2	LH Loom	1	
22				
23	59231	Touch-Screen Monitor	1	
24	59232	C/ESX-3XL-A Controller	1	
25	59239	Rocker Switch Bank Assembly	1	
26	59240	Joystick	2	
27	59241	Rocker Switch	1	
28	59248	Stirrup	1	
29	59253	Distribution Board	1	
30	59254	Decal	1	
31	59271	Module Mounting Plate	1	
32	59368	Slave Board	1	
33	59371	Box	1	
34	59375	Plug Cover	1	
35	59402	2 Way Terminal Plug	a/r	
36	59403	Display Loom	1	
37	59404	Cab Loom	1	
38	59405	Power Lead	1	
39	59432	Screen Base	1	
40	59433	Screen Stem	1	
41	59434	Screen Bracket	2	
42				
43	56467/1A	Steering Sensor Cable	1	

Machines from 2015

Road Lights



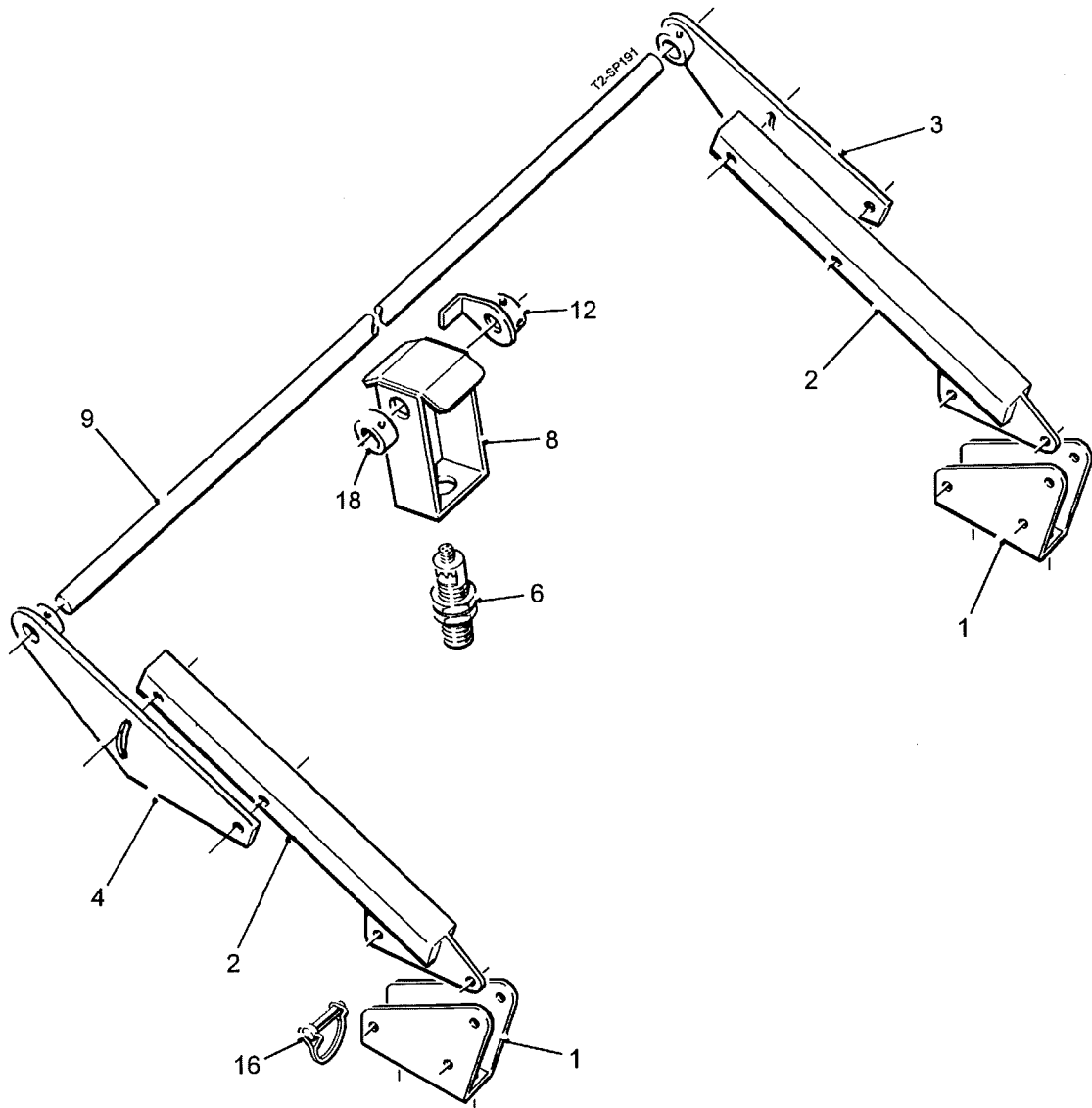
Machines from 2015

Road Lights

Item	Part No.	Description	Qty.	Remarks
1	10134	7 Pin Plug	1	
2				
3	11369	7 Core Cable	a/r	
4				
5				
6				
7				
8	56444	Front Light Mounting	2	
9	56445	Rear Light Mounting LH	1	
10	56446	Rear Light Mounting RH	1	
11				
12				
13				
14	62216	LED Amber Marker Light Assembly	2	
15	62217	LED Rear Light Assembly	2	
16	62470	LED Front Light Assembly	2	
17				
18				
19				
20				
21				
22	RPE272.307748	Reflector Triangle	2	

Machines from 2015

Elevator Auto-height Kit
Assy No 56787



12.1a**T3 SPARE PARTS**

Machines from 2015

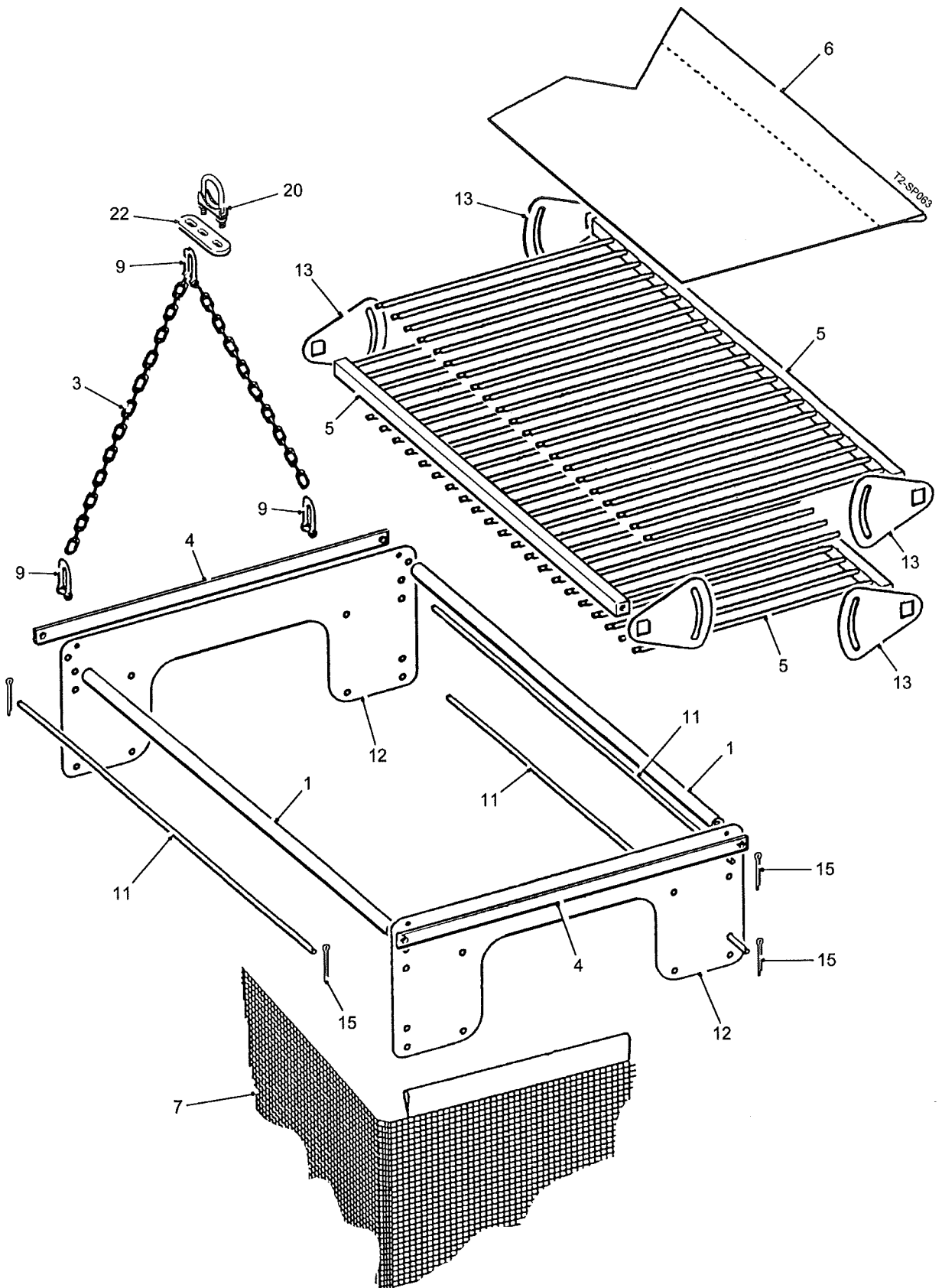
Elevator Auto-height Kit**Assy No 56787**

Item	Part No.	Description	Qty.	Remarks
1	37518	Mounting Bracket	2	
2	37519A	Support Arm	2	
3	37520	Rear Support Plate	1	
4	37521	Front Support Plate	1	
5				
6	54898	Ultrasonic Sensor	1	
7				
8	59940	Sensor Mounting Bracket	1	
9	56788	Pivot Bar	1	
10				
11				
12	62934	Stop Plate	1	
13				
14				
15				
16	10282	Quick Release Pin	2	
17				
18	PS488M	Locking Collar	1	

Machines from 2015

Cascade Fall Breaker / Box Filler

Assy No 56907



12.2a**T3 SPARE PARTS**

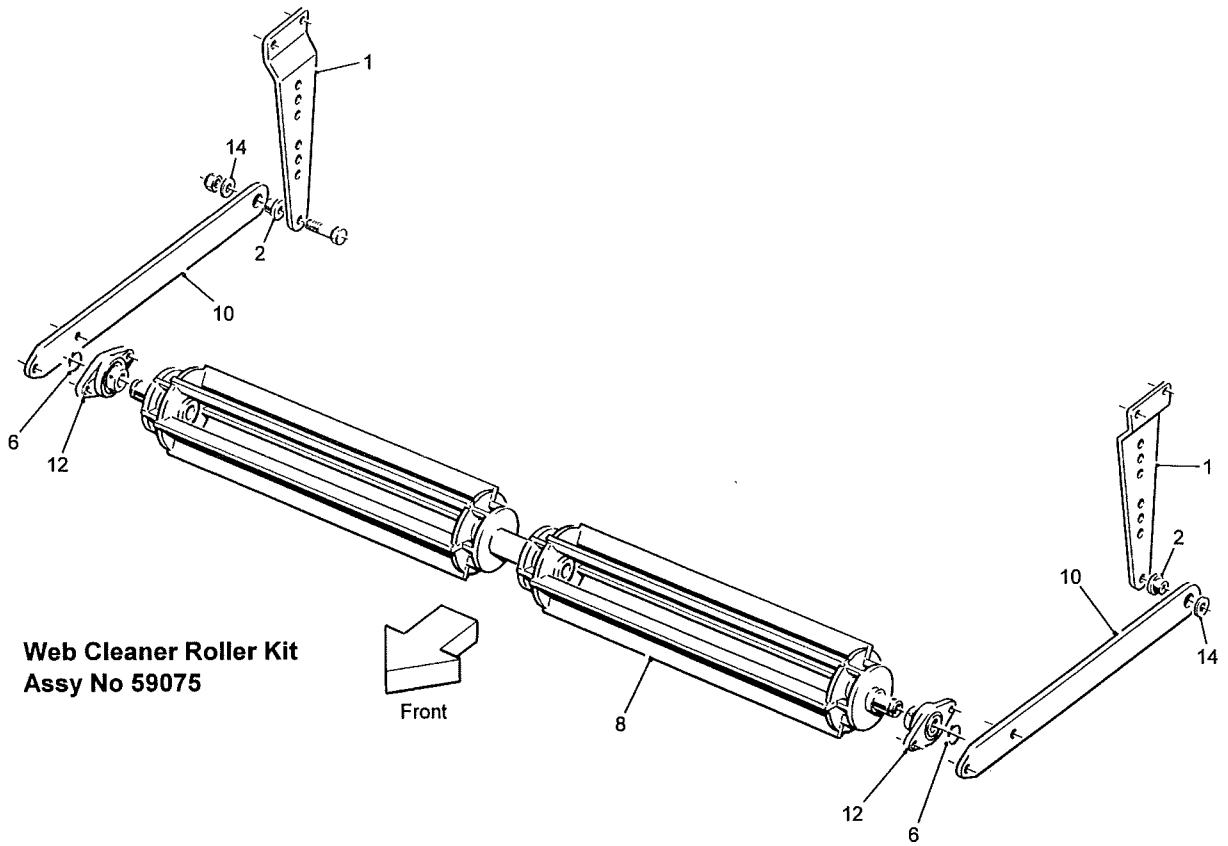
Machines from 2015

Cascade Fall Breaker / Box Filler**Assy No 56907**

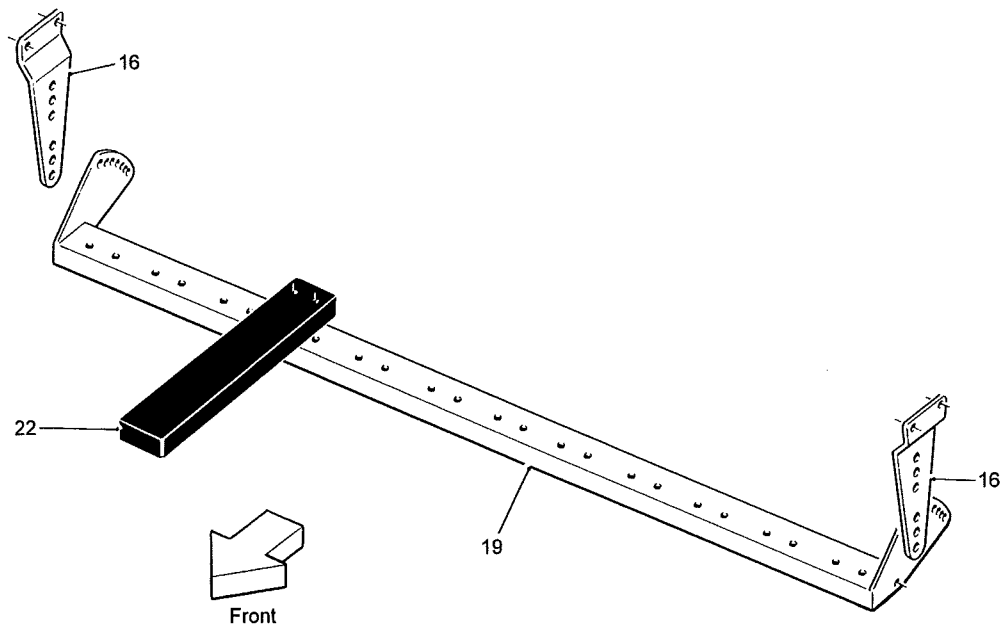
Item	Part No.	Description	Qty.	Remarks
1	56908	Spacer Bar (1500mm)	2	
2				
3	RPC622.311064	Chain	2	
4	RPC700.311051	Support Strip	2	
5	56909	Nylon Brush Assembly (1500mm)	3	
6	56910	Inner Flap (1500mm)	3	
7	56911	Chute Cascade (1500mm)	1	
8				
9	RPGMRP099.00086	Shackle	6	
10				
11	56912	Pin (1500mm)	3	
12	RPM225.311043	Plate	2	
13	RPM225.311044	Plate	6	
14				
15	22078003/032	Ø3x32mm Split Pin	6	
16				
17				
18				
19				
20	58122	Ø35 Clamp Complete	2	
21				
22	59462	Support Plate	2	

Machines from 2015

Web Cleaner Kits



T3-SP084



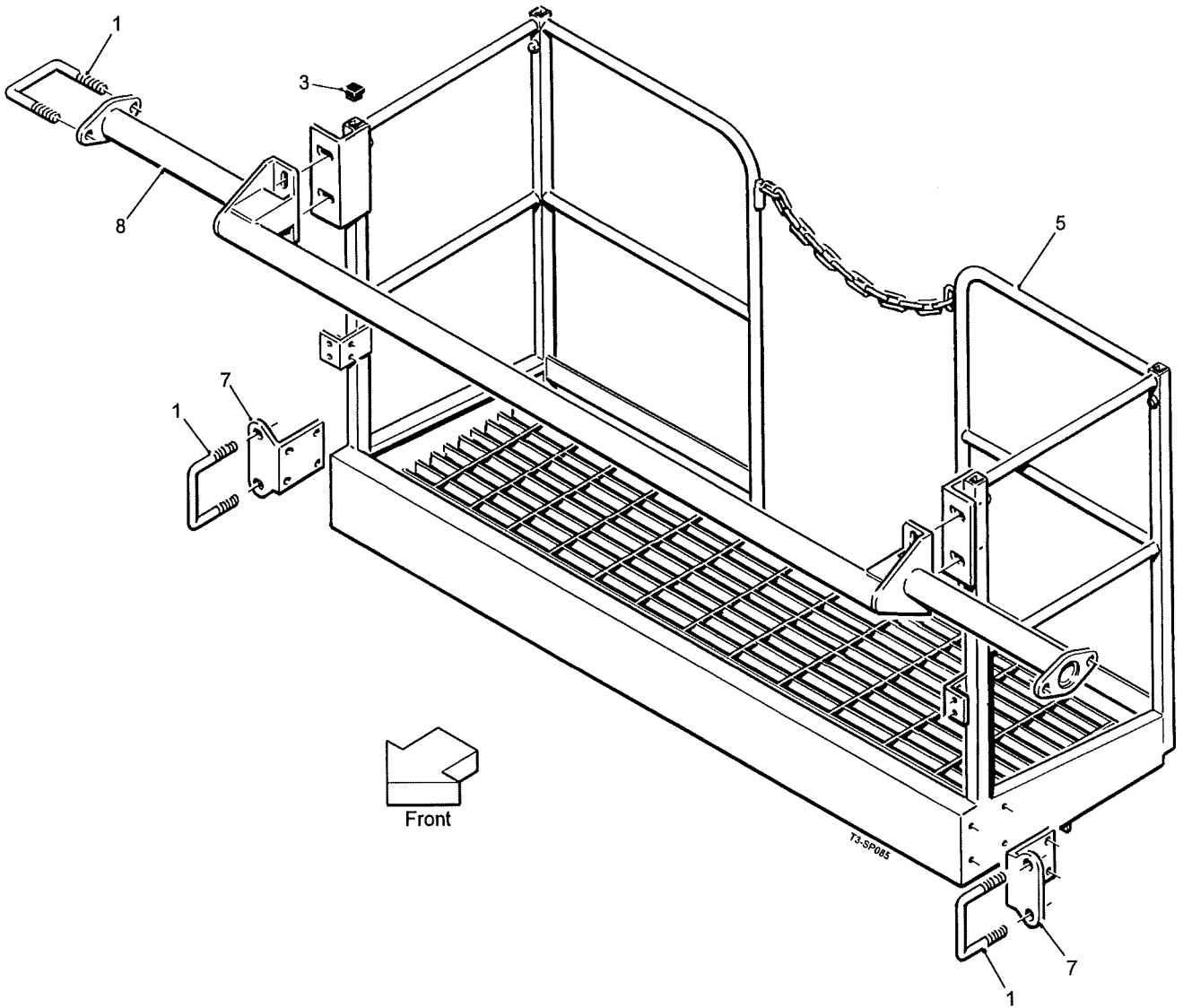
Machines from 2015

Web Cleaner Kits

Item	Part No.	Description	Qty.	Remarks
	59075	Web Cleaner Roller Kit Consists Of:		
1	59457A	Mounting Plate	2	
2	59458	Pivot Bush	2	
3				
4				
5				
6	RH56	Ø30 External Circlip	2	
7				
8	56852	28mm & 36mm Pitch Cleaner Roller	1	
	56853	40mm & 45mm Pitch Cleaner Roller	1	
9				
10	RPS994	Side Arm	2	
11				
12	SFT30A	Bearing	2	
13				
14	SS30011/005	Steel Spacer	2	
15				
	56906	Web Cleaner Fingers Kit Consists Of:		
16	59457	Mounting Plate	2	
17				
18			2	
19	56903	Finger Mounting	1	
20	56920	Adaptor Plate	2	????
21				
22	RPC700.301088	Rubber Finger	18	
23				
24	SS025011/010	Steel Spacer	2	????

Machines from 2015

Rear Inspection Platform
Assy No 63081



12.4a**T3 SPARE PARTS**

Machines from 2015

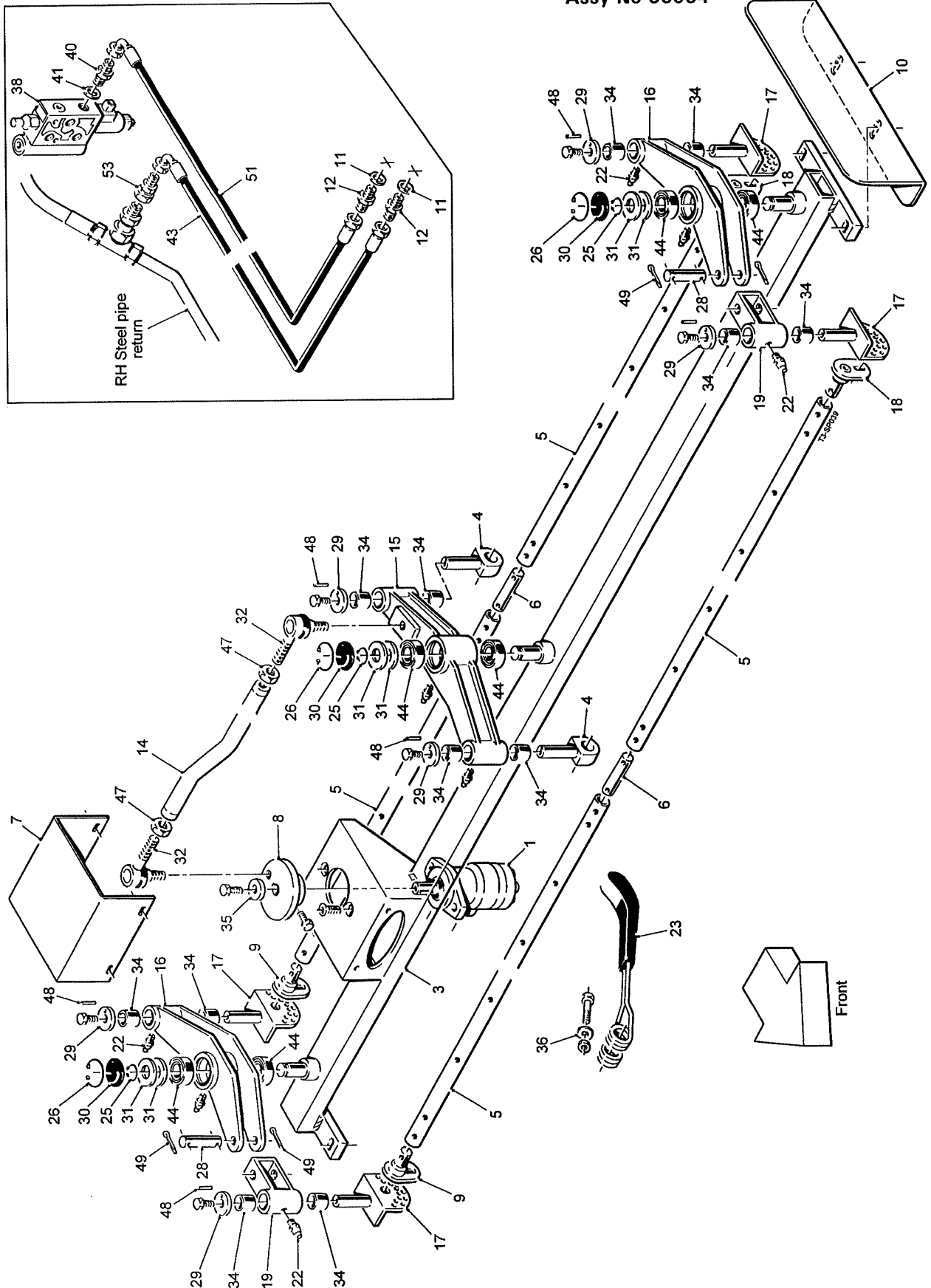
Rear Inspection Platform

Item	Part No.	Description	Qty.	Remarks
1	35024	M16 'U' Bolt	4	
2				
3	37753	30x30 Plasic Insert	4	
4				
5	59407	Inspection Platform	1	
6				
7	63079	Mounting Plate	2	
8	63080	Support Tube	1	

Machines from 2015

Sweeping Clod Fingers

Assy No 56064



12.5a

T3 SPARE PARTS

Machines from 2015

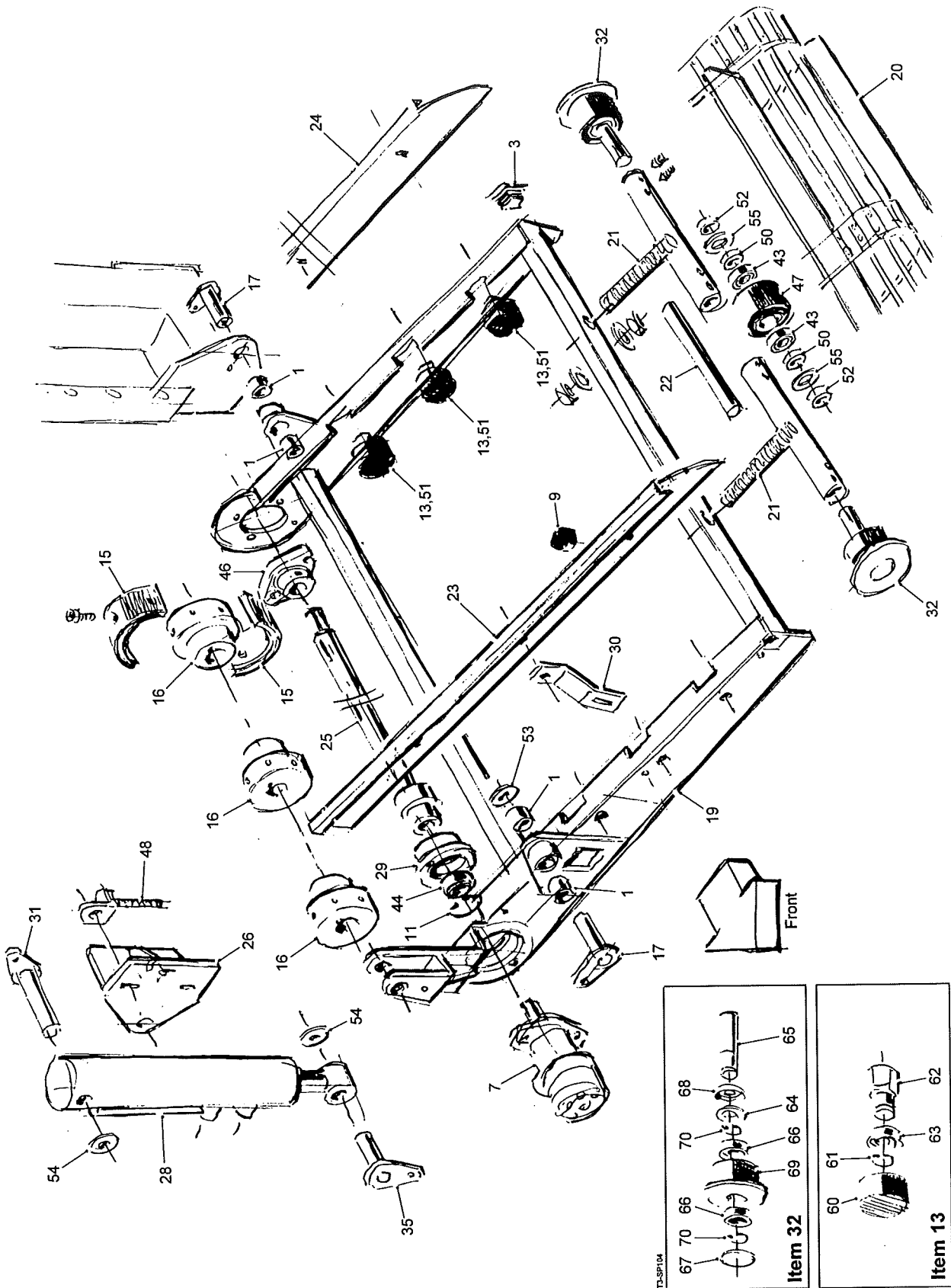
Sweeping Clod Fingers

Assy No 56064

Item	Part No.	Description	Qty.	Remarks
1	44563	Hydraulic Motor	1	
2				
3	56819	Mounting Beam	1	
4	56820	Trunnion	2	
5	56821	Finger Tube	4	
6	56822	Connector Shaft	2	
7	56823	Guard	1	
8	56824	Cam	1	
9	56854	End Plate	2	
10	59798	Finger Guard	2	
11	11124	1/2"BSP Dowty Seal	2	
12	12315	1/2"BSP M M Adaptor	2	
13				
14	RPA610.301139	Tube	1	
15	RPA610.301165	Oscillator Arm	1	
16	RPA610.301202	Oscillator Arm	2	
17	RPA610.301207	Quadrant Plate	4	
18	RPA610.301209	End Plate	2	
19	RPA610.306023	Hinge Piece	2	
20				
21	RPC632.301869	Decal	1	(not shown)
22	RPC648.081250	M8 Straight Grease Nipple	9	
23	RPC700.304701	Oscillator Paddle	28	
24				
25	RPF200.030200	Ø30 External Circlip	3	
26	RPF202.055200	Ø55 Internal Circlip	3	
27				
28	RPGM031.00228	Pin	2	
29	RPGM065.00073	Brass Washer	6	
30	RPGM088.00005	Plastic Dust Cap	3	
31	RPGM088.00017	Sealing Ring	6	
32	RPGMB89.02017	M20 Ball Joint	2	
33				
34	RPM148.302182	Brass Bush	12	
35	RPM196.300869	Washer	1	
36	SS030011/005	Steel spacer	28	
37				
38	57217	S/A Proportional Valve Slice	1	Was RPS360-1
39				
40	27459	M18x1/2"BSP M M Adaptor	1	
41	27461	M18 Dowty Seal	1	
42				
43	60090	1/2"Hose Assembly (2900mm)	1	
44	60062RS	Bearing	6	
45				
46				
47	RPF174.220000	M20 Half Nut	2	
48	22067005/010	Ø5x10 Roll Pin	6	
49	22078005/025	Ø5x25 Split Pin	4	
50				
51	55153	1/2"Hose Assembly (5050mm)	1	
52				
53	TBMW659	1/2"BSPMx3/4"BSPF Swivel Adaptor	1	

Machines from 2015

Hydraulically Driven Windrow Kit
Assy No 63169



12.6a**T3 SPARE PARTS**

Machines from 2015

Hydraulically Driven Windrow Kit

Assy No 63169

Item	Part No.	Description	Qty.	Remarks
1	12121	Oilite Bush	4	
2				
3	27159	Plastic Insert (40x40)	2	
4				
5				
6				
7	37898	Hydraulic Motor	1	
8				
9	43288	Bump Stop	2	
10				
11	46564	Ø90 Internal Circlip	1	
12				
13	59222	Roller Assembly	6	(see list at end)
14				
15	61035	Drive Shoe Half	6	
16	61036	Drive Shoe Hub	3	
17	61525	Pivot Pin (69mm)	2	
18				
19	63170	Conveyor Frame	1	
20	63171/40	40mm Pitch Web Assembly	1	
21	63172	Roller Mounting	2	
22	63172A	Roller Shaft	1	
23	63173	Extension Panel (front)	1	
24	63174	Extension Panel (rear)	1	
25	63175	Drive Shaft	1	
26	63176	Ram Mounting	1	
27				
28	64103	Hydraulic Ram	1	
29	64111	Bearing Housing	1	
30	64115	Panel Mounting	6	
31	64116	Ram Pin (126mm)	1	
32	64132	Roller Assembly	2	(see list at end)
33				
34				
35	65011	Ram Pin (74mm)	1	
36				
37				
38				
39				
40				
41				
42				
43	60052RS	Bearing	2	
44	62102RS	Bearing	1	
45				
46	LFTC30	Bearing	1	
47	PH77AR	Plain Roller	1	
48	RPA610.304444	Adjuster	1	
49				
50	SS035026/010	Steel Spacer	2	
51	SS025013/015	Steel Spacer	6	
52	SS038026/008	Steel Spacer	2	
53	SS040009/003	Steel Spacer	2	
54	SS040011/003	Steel Spacer	2	
55	SS050026/002	Steel Spacer	2	

T3 SPARE PARTS

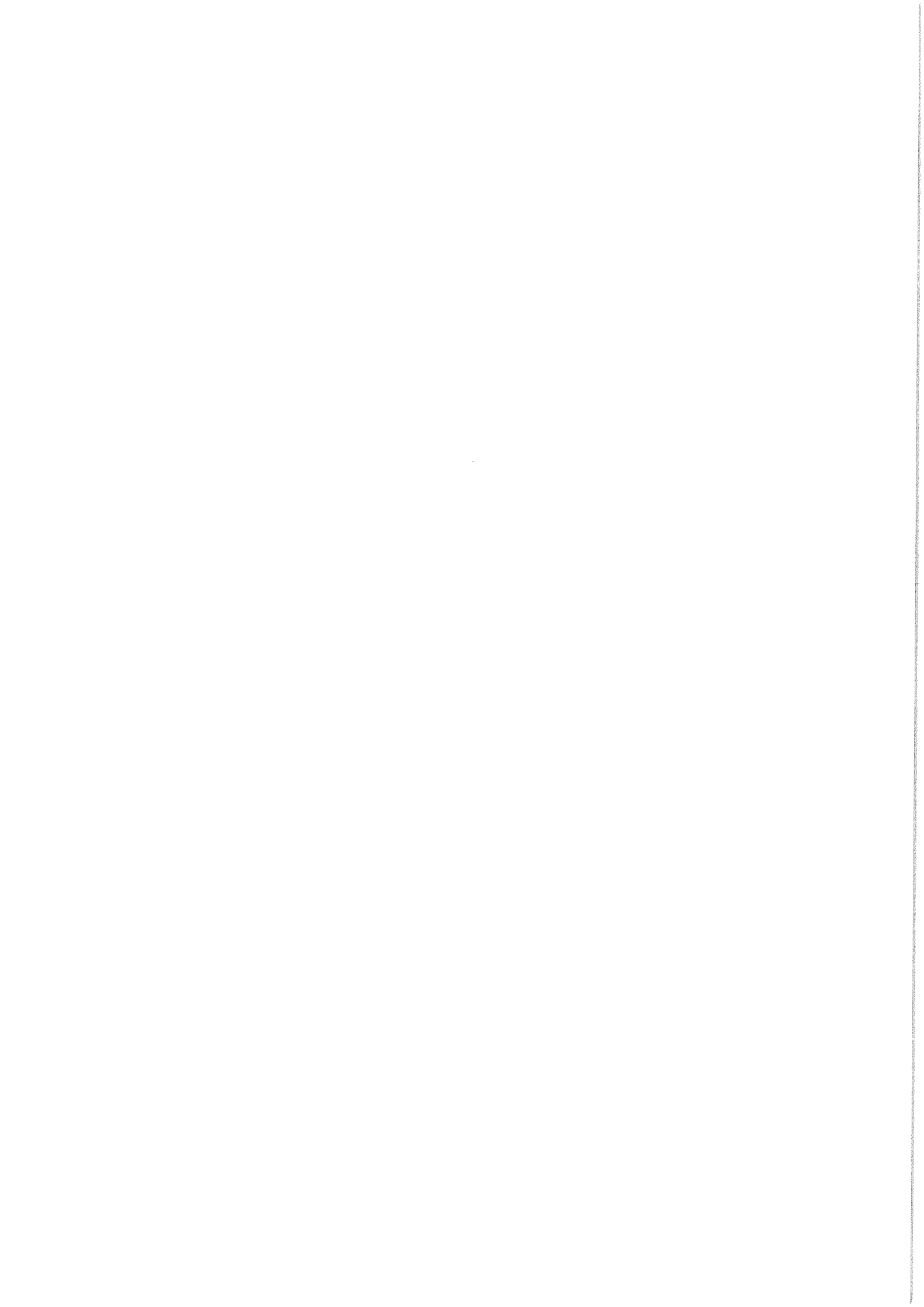
12.6b

Machines from 2015

Hydraulically Driven Windrow Kit

Assy No 63169

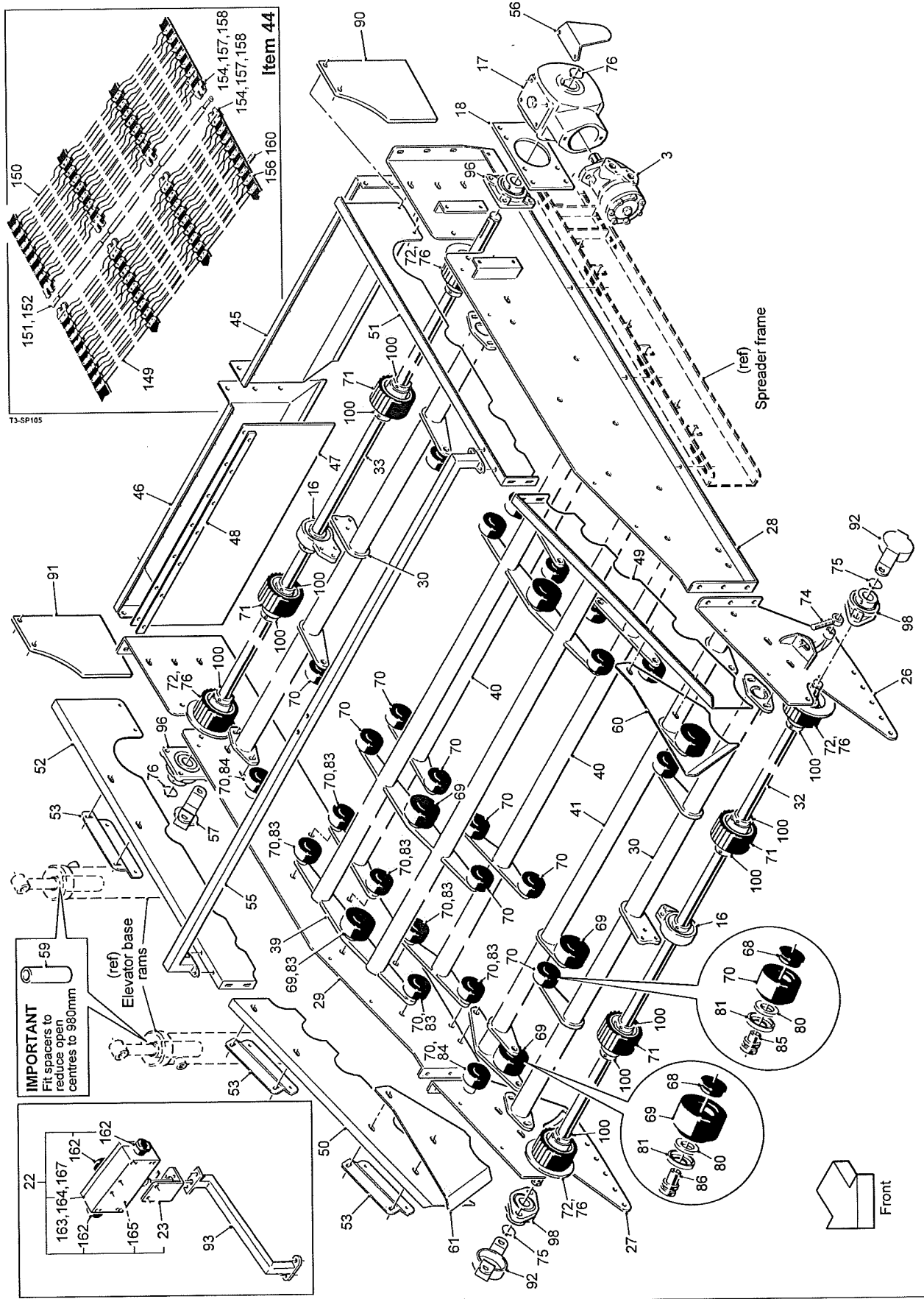
Item	Part No.	Description	Qty.	Remarks
56				
57				
58				
59				
	59222	Roller Assembly Consists Of:		
60	0000301601	Ø66 Rubber Roller	1	
61	12298	Ø20 External Circlip	1	
62	59223	Roller Spindle	1	
63	62042RS	Bearing	1	
	64132	Roller Assembly Consists Of:		
64	0000300504	Felt Seal	1	
65	64131	Roller Spindle	1	
66	6005RS	Bearing	2	
67	PH407	Seal	1	
68	PH408	Seal	1	
69	PH51AR	Ø90 Flanged Roller	1	
70	PS843	Circlip	2	
	63171/40	40mm Pitch Web Assembly		
		Consists Of:		
71	-	Ø11 Web Rod	-	
72	-	Ø16 Web Rod Cover	-	
73	-	Belt	3	
74	-	Joiner Complete	3	
75	-	Ø11 Joining Rod	1	
76	-	Flight	-	



Machines from 2015

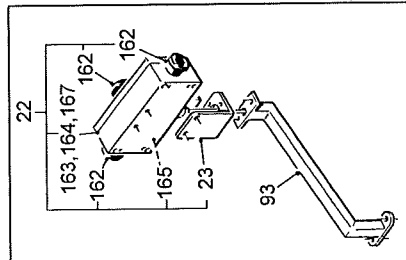
Easi-pic Table & Spreader Unit

Assy No 63036



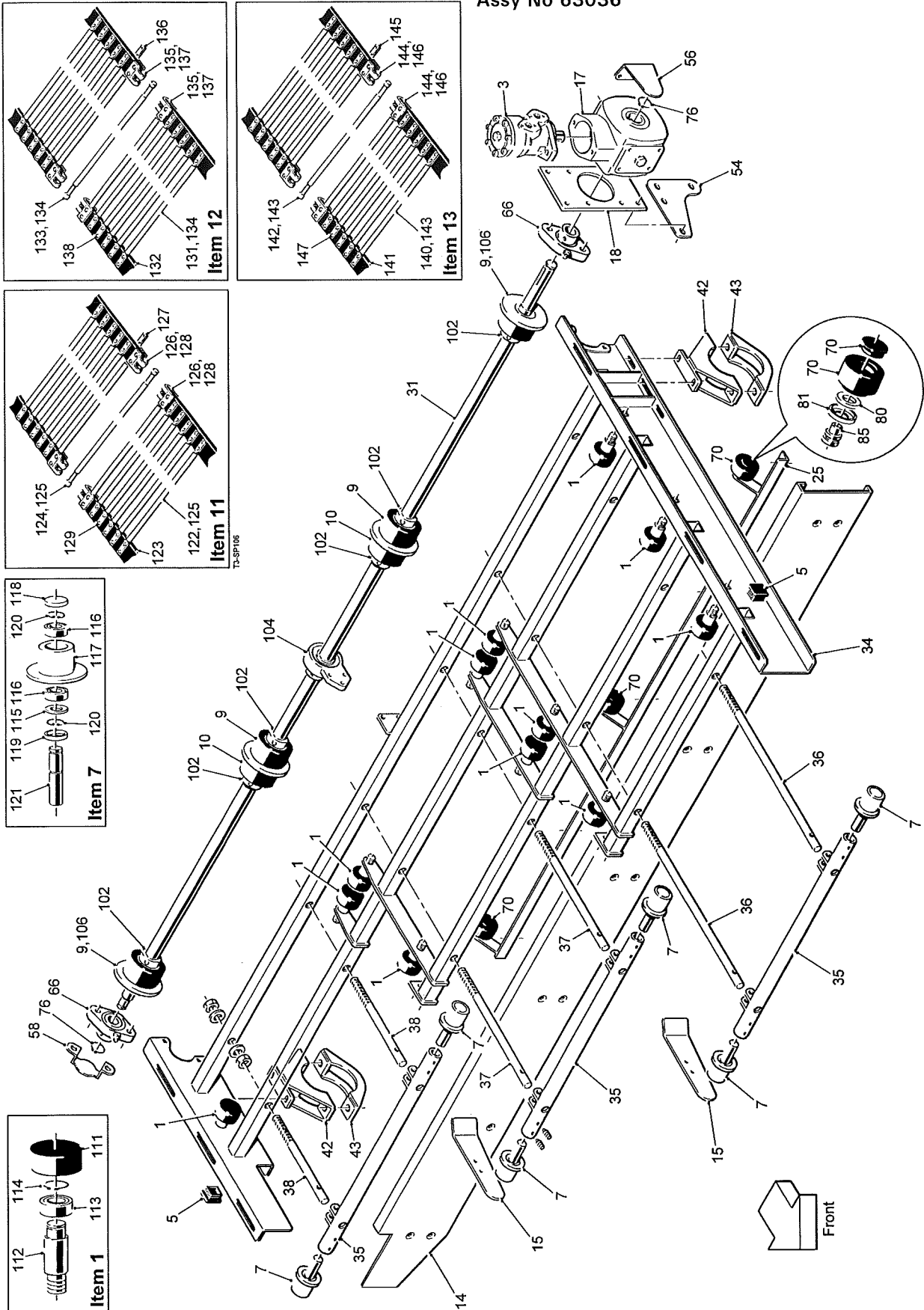
T3-SP105

IMPORTANT
Fit spacers to reduce open centres to 980mm



Machines from 2015

Easi-pic Table & Spreader Unit Assy No 63036



T3 SPARE PARTS**12.7b**

Machines from 2015

Easi-pic Table & Spreader Unit**Assy No 63036**

Item	Part No.	Description	Qty.	Remarks
1	0000301600	Ø66 Roller Assembly	12	(see list at end)
2				
3	11201	Hydraulic Motor	2	
4				
5	27159	Plastic Insert (40x40)	6	
6				
7	51666	Roller Assembly	6	(see list at end)
8				
9	56230	Flanged Drive Roller	4	
10	56231	Plain Drive Roller	2	
11	56232	Long Spreader Web	1	(see list at end)
12	56233	Centre Spreader Web	1	(see list at end)
13	56234	Short Spreader Web	1	(see list at end)
14	56239A	Web Side Rear	1	
15	56449	Side Infill	2	
16	56601	Ø35 Bearing	2	
17	56641	Gearbox Assembly	2	
18	56656	Reaction Plate	2	
19				
20				
21				
22	59078	Control Box Assembly	1	(see list at end)
23	59472	Box Base Plate	1	
24				
25	63017A	Roller Support	1	
26	63037	Front Mounting LH	1	
27	63038	Front Mounting RH	1	
28	63039	Rear Mounting LH	1	
29	63040	Rear Mounting RH	1	
30	63041	Roller Shaft Support	2	
31	63042	Spreader Web Drive Shaft	1	
32	63043	Roller Shaft Front	1	
33	63044	Picking Web Drive Shaft	1	
34	63045	Spreader Frame	1	
35	63046	Spreader Roller Mounting	3	
36	63047	Adjuster Rod (1045mm)	2	
37	63048	Adjuster Rod (725mm)	2	
38	63049	Adjuster Rod (405mm)	2	
39	63050	Roller Support	1	
40	63051	Roller Support	2	
41	63052	Web Tensioner Bar	1	
42	63053	Support Rear	2	
43	63054	Clamp	2	
44	63055	22mm Pitch Picking Web	1	(see list at end)
45	63058	Rear Panel LH	1	
46	63059	Rear Panel RH	1	
47	63060	Rubber Delector	2	
48	63061	Clamp Strip	2	
49	63062	Front Stainless Panel LH	1	
50	63063	Front Stainless Panel RH	1	
51	63064	Rear Stainless Panel LH	1	
52	63065	Rear Stainless Panel RH	1	
53	63066	Panel Support	6	
54	63067	Motor Plate Support	1	
55	63072	Control Box Beam	1	

Machines from 2015

Easi-pic Table & Spreader Unit

Assy No 63036

Item	Part No.	Description	Qty.	Remarks
56	63074	Gearbox Shaft Guard	2	
57	63075	Bearing Guard	1	
58	63076	Bearing Guard	1	
59	63088	Discharge Elevator Ram Spacer	2	
60	63181	Stainless Infill Panel LH	1	
61	63182	Stainless nfill Panel H	1	
62				
63				
64				
65				
66	LFTC35A	Ø35 Bearing	2	
67				
68	RPC620.303070	Cap	43	
69	RPC700.300147	Ø95 Roller c/w Bearings	8	
70	RPC700.300227	Ø75 Roller c/w Bearing	35	
71	RPC700.301543	Plain Roller	4	
72	RPC700.303613	Flanged Roller	4	
73				
74	RPF120.116125	M16x140 Swing Bolt	2	
75	RPF200.030200	Ø30 External Circlip	2	
76	RPF200.035250	Ø35 External Circlip	8	
77	-	Ø40 External Circlip	2	
78				
79				
80	RPGM070.00446	Felt Seal	43	
81	RPGM089.00565	Roller Shield	43	
82				
83	RPM176.306318	20mm Spacer	14	
84	RPM176.306320	30mm Spacer	4	
85	RPM180.300308	Roller Spindle	35	
86	RPM180.303071	Roller Spindle	8	
87				
88				
89				
90	RPS107	Rubber Skirt LH	1	
91	RPS108	Rubber Skirt RH	1	
92	RPS603	Bearing Guard	2	
93	RPS710	Control Box Arm	1	
94				
95				
96	SF35	Ø35 Bearing	2	
97				
98	SFT30	Ø30 Bearing	2	
99				
100	SPCT131	Ø35 Stop Collar	12	
101				
102	ST41M	Ø40 Stop Collar	6	
103				
104	UCFB208	Ø40 Bearing	1	
105				
106	W0162	Ø40 External Circlip	2	
107				
108				
109				
110				

T3 SPARE PARTS

12.7d

Machines from 2015

Easi-pic Table & Spreader Unit

Assy No 63036

Item	Part No.	Description	Qty.	Remarks
	0000301600	Roller Assembly Consists Of:		
111	0000301601	Roller	1	
112	0000301602	Spindle	1	
113	62042RS	Bearing	1	
114	12298	Circlip	1	
	51666	Roller Assembly Consists Of:		
115	0000300504	Felt Seal	1	
116	6005RS	Bearing	2	
117	46398	Flanged Steel Roller	1	
118	PH407	Seal	1	
119	PH408	Seal	1	
120	PS843	Ø25 External Circlip	2	
121	51664	Roller Spindle	1	
	56232	Long Spreader Web Consists Of:		
122	56232/1	Web Rod	88	
123	56232/2	Web Belt	2	
124	56232/4	Joining Rod	1	
125	56232/5	Rod Cover	89	
126	51301/3	'F' Type Joiner	4	
127	46849/2	Clamp Plate	176	
128	DIN661 5x25	Long Rivet	8	
129	DIN661 5x22	Short Rivet	344	
130				
	56233	Centre Spreader Web Consists Of:		
131	56232/1	Web Rod	65	
132	56233/1	Web Belt	2	
133	56232/4	Joining Rod	1	
134	56232/5	Rod Cover	66	
135	51301/3	'F' Type Joiner	4	
136	46849/2	Clamp Plate	130	
137	DIN661 5x25	Long Rivet	8	
138	DIN661 5x22	Short Rivet	260	
139				
	56234	Short Spreader Web Consists Of:		
140	56232/1	Web Rod	42	
141	56234/1	Web Belt	2	
142	56232/4	Joining Rod	1	
143	56232/5	Rod Cover	43	
144	51301/3	'F' Type Joiner	4	
145	46849/2	Clamp Plate	84	
146	DIN661 5x25	Long Rivet	8	
147	DIN661 5x22	Short Rivet	168	
148				

12.7e

T3 SPARE PARTS

Machines from 2015

Easi-pic Table & Spreader Unit

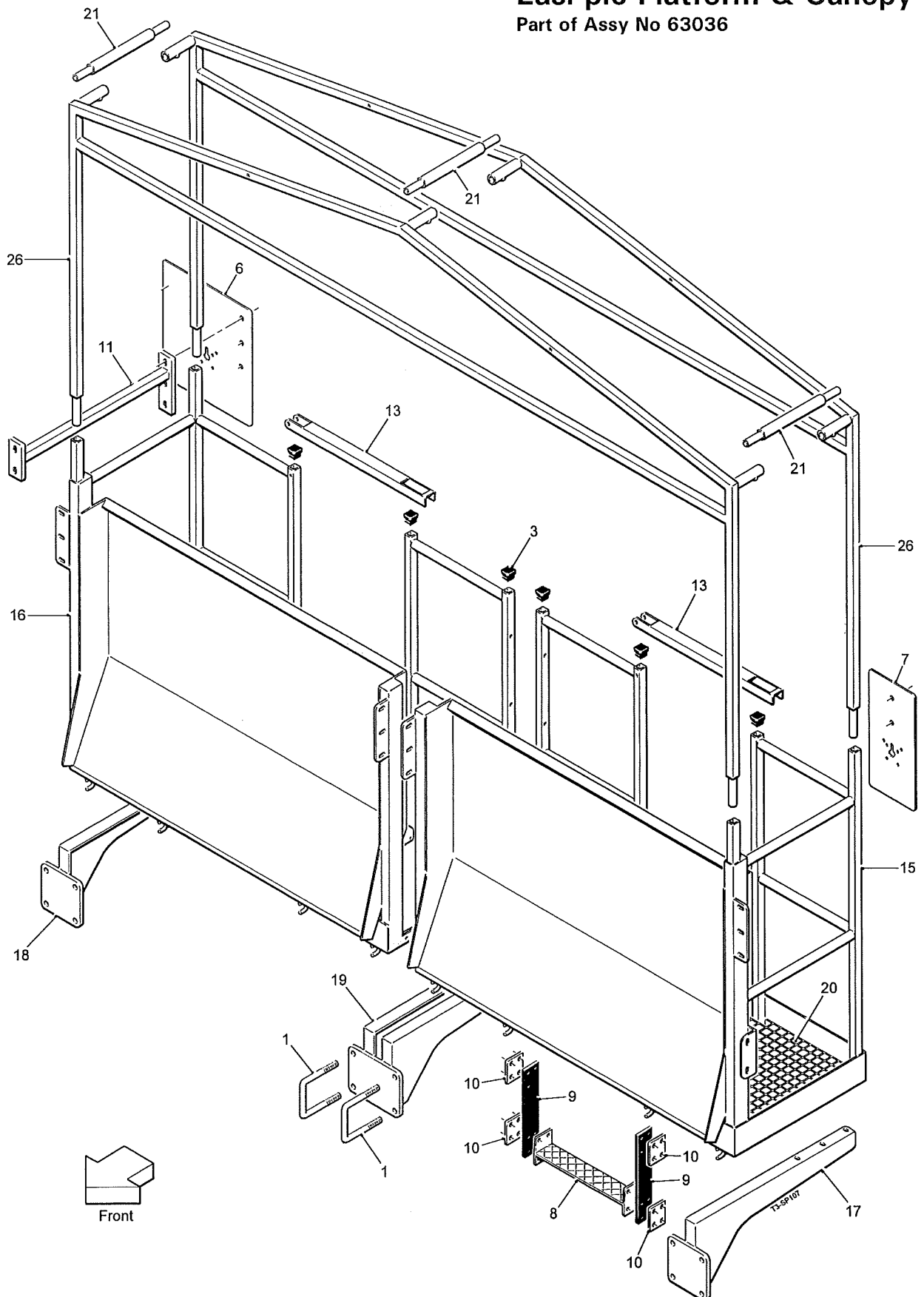
Assy No 63036

Item	Part No.	Description	Qty.	Remarks
	63055	22mm Pitch Picking Web Consists Of:		
149	63055/1	Straight Rod c/w Rubber Cover	44	
150	63055/2	Cranked Rod c/w Rubber Cover	132	
151	63055/3	Joining Rod c/w Rubber Cover	1	
152	63055/4	Joining Rod Collar	2	
153				
154	RPW300.303144A9	'F' Type Joining Clip	8	
155				
156	DIN 661 5X18	Ø5x18 CSK Rivet	1408	
157	DIN 661 5X25	Ø5x25 CSK Rivet	16	
158	DIN 661 5X30	Ø5x30 CSK Rivet	16	
159				
160	RPGM019.00155	Rivet Plate	704	
161				
	59078	Control Box Assembly Consists Of:		
162	37279	Emergency Stop Button Complete	3	
163	59464	Module Box	1	
164	59465	Module Cable	1	
165	59466	CAN Slave Module	1	
166				
167	TR500	Decal	1	

Machines from 2015

Easi-pic Platform & Canopy

Part of Assy No 63036



12.8a**T3 SPARE PARTS**

Machines from 2015.

Easi-pic Platform & Canopy

Part of Assy No 63036

Item	Part No.	Description	Qty.	Remarks
1	35024	M16 'U' Bolt	6	
2				
3	37753	Plastic Insert (30x30)	6	
4				
5				
6	59285	Rear Light Bracket RH	1	
7	59285A	Rear Light Bracket LH	1	
8	59470	Step	2	
9	59471	Step Strap	4	
10	59485	Step Support Plate	8	
11	59597	Light Extension Bracket	2	
12				
13	62976	Safety Hand Rail	2	
14				
15	63056	Platform LH	1	
16	63057	Platform RH	1	
17	63068	Platform Support LH	1	
18	63069	Platform Support RH	1	
19	63070	Platform Support Centre	1	
20	63071	Platform Base	2	
21	63073	Canopy Tube	3	
22	63089	Canopy	1	(not shown)
23				
24				
25				
26	RPS605	Canopy Frame	2	