

CONTENTS

T2 SPARE PARTS

Note: When using the following pages to order replacement parts, please quote the full serial number of your machine.

MAIN FRAME, AXLE & GUARDS	
Main Frame Assembly	3.1
ROTO Axle Assembly	3.2
Guards Assembly	3.3
DIGGER SECTION	
Rubber Depth Roller Assemblies	4.1
Disc Coulter Assemblies	4.4
Powered Disc Coulter Assemblies	4.5
Share Assemblies for 2 Row Work	4.6
Share Assemblies for Bed Work	4.7
Haulm Intake Rollers	4.9
Anti Roll-back Flaps	4.10
Digger Web Assembly	4.11
Sieving Web Assembly	4.12
Agitator Assembly	4.13
Haulm Roller Assembly (with scroll shaft)	4.14
Haulm Roller Assembly (without scroll shaft)	4.15
SEPARATOR FEED UNITS	
Star Feed Unit (2 shafts)	5.2
Star Feed Unit (3 shafts)	5.3
OMEGA SEPARATORS	
5R Omega (237mm centres)	6.1
3R Omega (237mm centres)	6.2
8R Omega (237mm centres)	6.3
3R Omega (237mm centres)	6.4
4R Omega (237mm centres)	6.5
8R Omega (220mm centres)	6.6
3R Omega (220mm centres)	6.7
5R Omega (220mm centres)	6.8
ROLLER TABLE / PRO-CLEAN SEPARATORS	
Roller Table Separator	8.1
Additional Components for Roller Tables	8.2
SEPARATOR TRANSFER UNITS	
Triple Transfer Roller Unit	9.1
Triple Transfer Roller Unit	9.2
Triple Transfer Roller with Scroll Shaft	9.3
DISCHARGE SECTION	
Linked Spreader Web (1125mm elevator)	10.1
Linked Spreader Web (1300mm elevator)	10.2
1125mm Discharge Elevator	10.5
1300mm Discharge Elevator	10.6
INPUT DRIVES, HYDRAULICS & ELECTRICS	
PTO Shaft Assembly	11.1
Front Gearbox Assemblies	11.2
Tractor Powered Hydraulics	11.3
Powered Axle Hydraulics	11.4
Web Hydraulics	11.5
Separator Hydraulics	11.6
Electrical Assembly	11.9
Road Lights Assembly	11.10

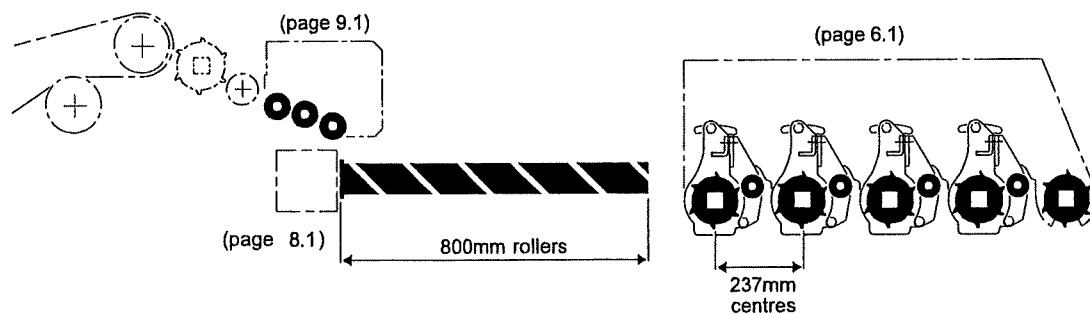
CONTENTS

OPTIONS

In-line Picking Table (2 pickers)	12.1
In-line Picking Table (4 pickers)	12.2
In-line Canopy Kit (2 pickers)	12.4
In-line Canopy Kit (4 pickers)	12.5
Rear Inspection Platform	12.6
Rear Picking Platform (2 pickers)	12.7
Rear Picking Platform Canopy Kit (2 pickers)	12.8
Sweeping Clod Fingers	12.10
Roller Table Restrictor Brush Kit	12.12
Omega Restrictor Brush Kit	12.12
Elevator Height Control Kits	12.15
Fall Breaker Kits	12.16
Windrow Kits	12.17
4th Agitator Assembly	12.18
Haulm Elevator Assembly	12.19
Haulm Elevator Transfer Web (1125mm discharge elevator)	12.20
Haulm Elevator Transfer Web (1300mm discharge elevator)	12.21
Haulm Elevator Spreader Web (1125mm discharge elevator)	12.22
Haulm Elevator Spreader Web (1300mm discharge elevator)	12.23
3rd Web Unit	12.24
Rocker Kit (for sieving web)	12.25
Concave Disc Coulters	12.26
Onion Paddle Assembly	12.27
Onion Paddle Hydraulics	12.28
Onion Paddle Depth Wheels	12.29
Hydraulically Driven Windrow Kit	12.30

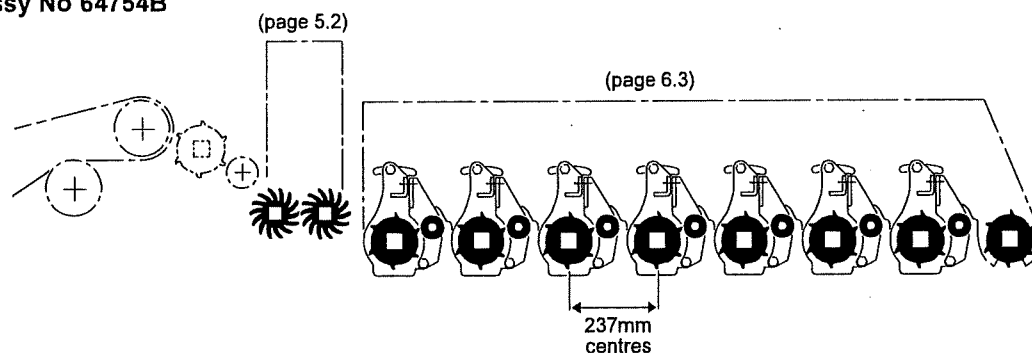
CONTENTS

800mm ROLLER TABLE - 5R OMEGA Assy No 64754A

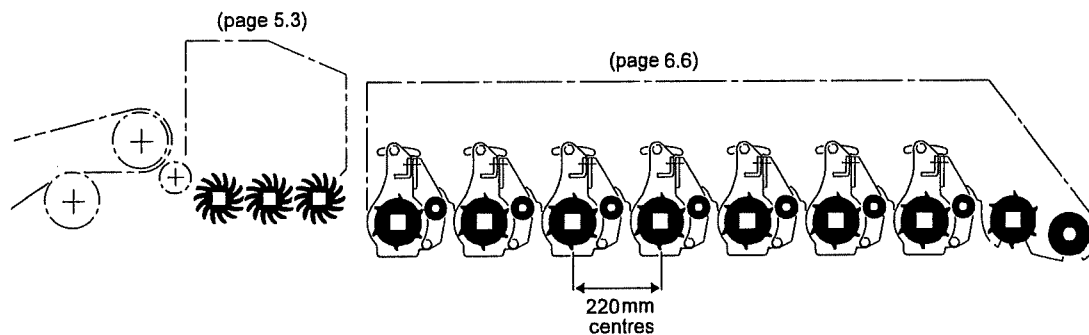


T2-SP380

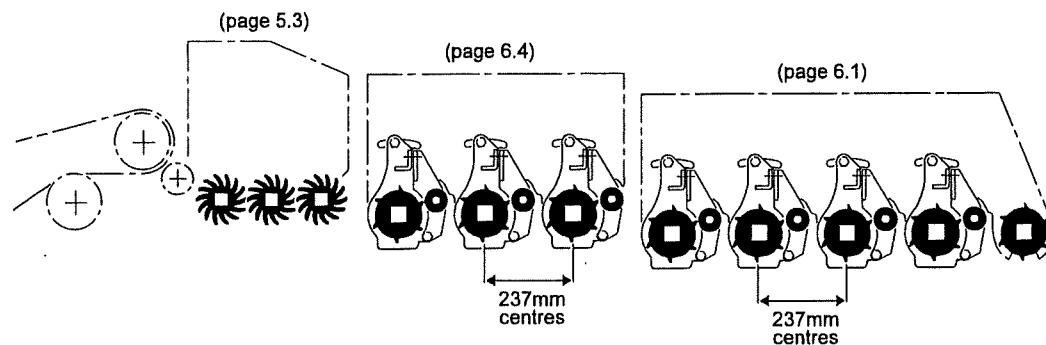
STAR FEED - 8R OMEGA Assy No 64754B



STAR FEED - 8R OMEGA Assy No 64754C

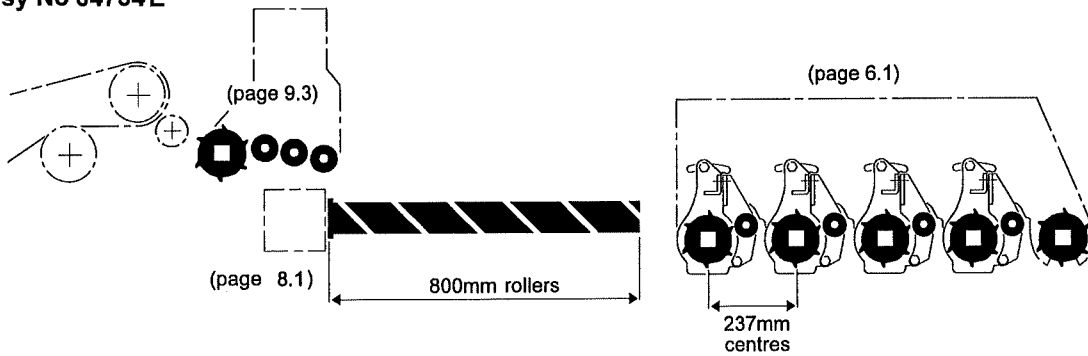


STAR FEED - 3R OMEGA - 5R OMEGA Assy No 64754D



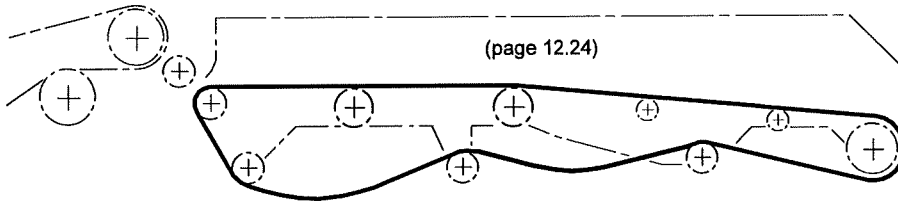
CONTENTS

800mm ROLLER TABLE - 5R OMEGA Assy No 64754E

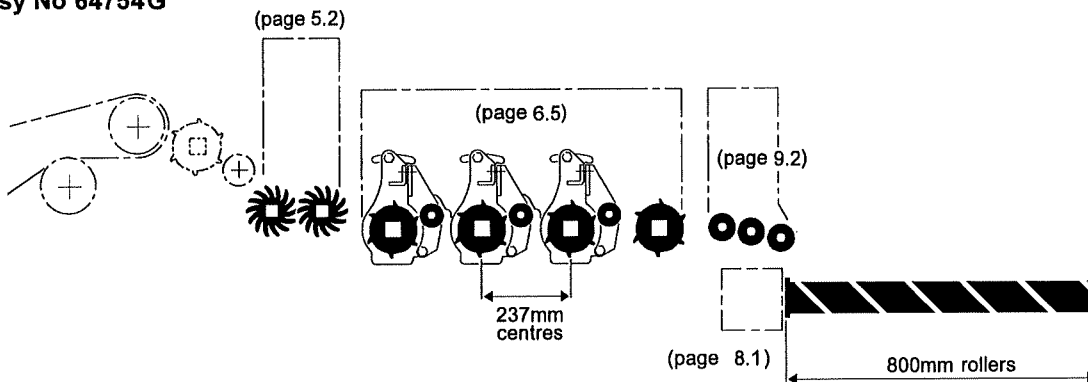


T2-SP400

3rd WEB Assy No 64754F



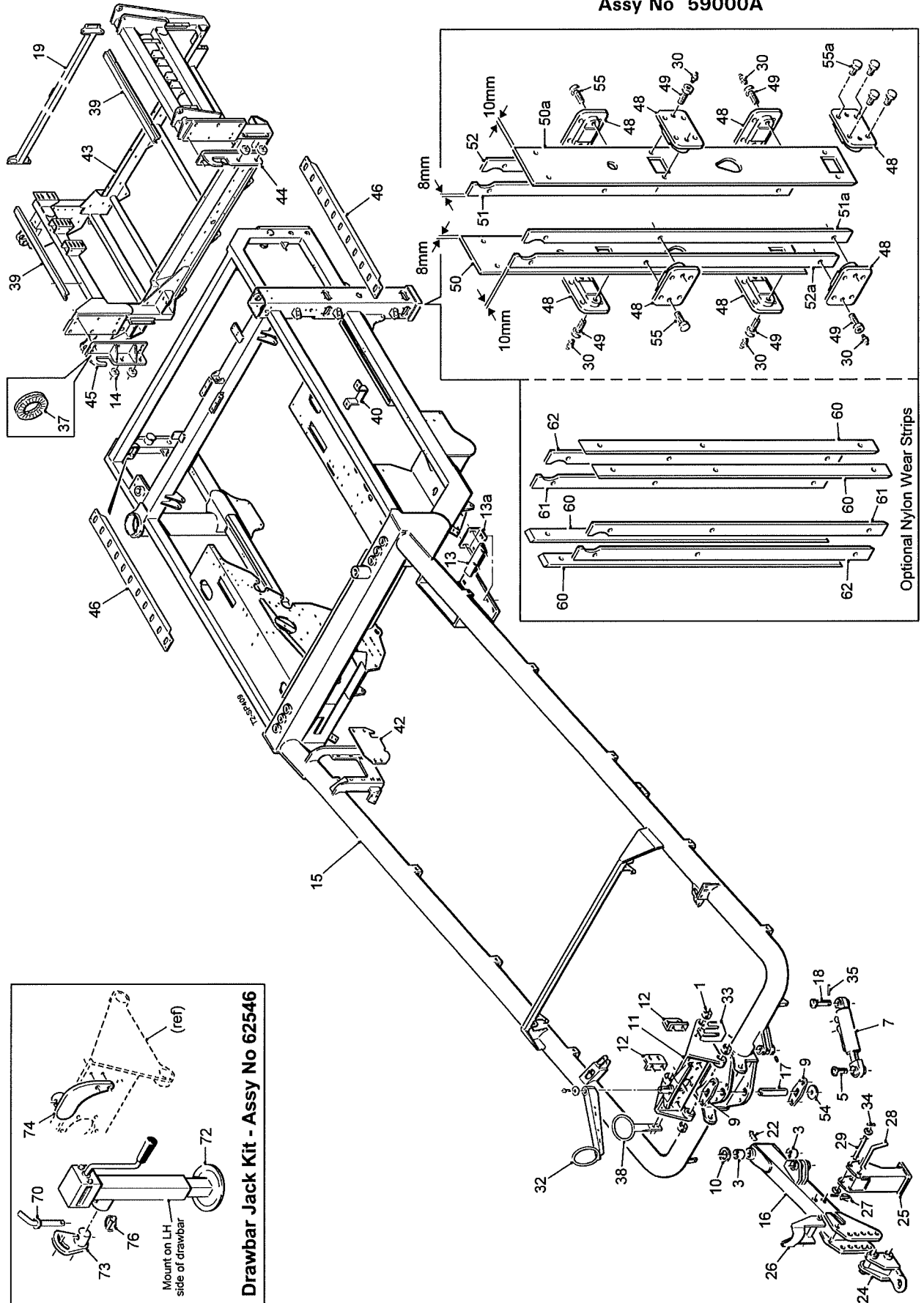
STAR FEED - 4R OMEGA - 800mm ROLLER TABLE Assy No 64754G



Machines from 2021

Main Frame Assembly

Assy No 59000A



3.1a

T2 SPARE PARTS

Machines from 2021

Main Frame Assembly

Assy No 59000A

Item	Part No.	Description	Qty.	Remarks
1	42091	Bush	4	
2				
3	44189	Nylon Bush	2	
4				
5	46391	Ram Pin	1	
6				
7	59626	Hydraulic Ram	1	
8				
9	56120	Pin Keep Plate	2	
10	56121	Thrust Washer	1	
11	56275	Gearbox Mounting	1	
12	56529	Gearbox Support Angle	2	
13	64892A	Cooler Support Bracket Top	1	┌ Supersedes 64892 └
13a	64892B	Cooler Support Bracket Bottom	1	
14	64972	Clamp Washer	4	
15	64783	Main Frame	1	
16	59101	Drawbar	1	
17	59102	Pivot Pin	1	
18	59366	Ram Pin	1	
19	59686	Tie Beam	1	
20				
21				
22	GS411	1/8" BSP Angled Grease Nipple	1	
23				
24	RPA610.300014	Drawbar Eye	1	
25	RPA610.307369	Stand	1	
26	59682	PTO Rest	1	
27	RPF232.060000	Linch Pin	1	
28	RPM146.305150	Pin	1	
29	RPM146.307375	Pin	1	
30	RPC648.061000	M6 Grease Nipple Straight	12	
31				
32	59666	Hose Support Arm	1	
33	59667	Hose Support Plate	1	
34	22067006/030	Ø6x30 Roll Pin	2	
35	22067006/040	Ø6x40 Roll Pin	2	
36				
37	22121020	M20 Nord-Lock Washer	14	
38	62925	Hose Support Ring	1	
39	64797	Cable Conduit	2	1125mm wide elevator
40	64911	Hose Support	1	
41				
42	64751	Valve Shield	1	
43	64784	Rear Frame	1	1125mm wide elevator
44	64794L	Mounting Hook LH	1	Used with roller table
	64873	Mounting Hook LH	1	Used with Omega
45	64794R	Mounting Hook RH	1	Used with roller table
	64874	Mounting Hook RH	1	Used with Omega
46	64866	Hose Tray	2	

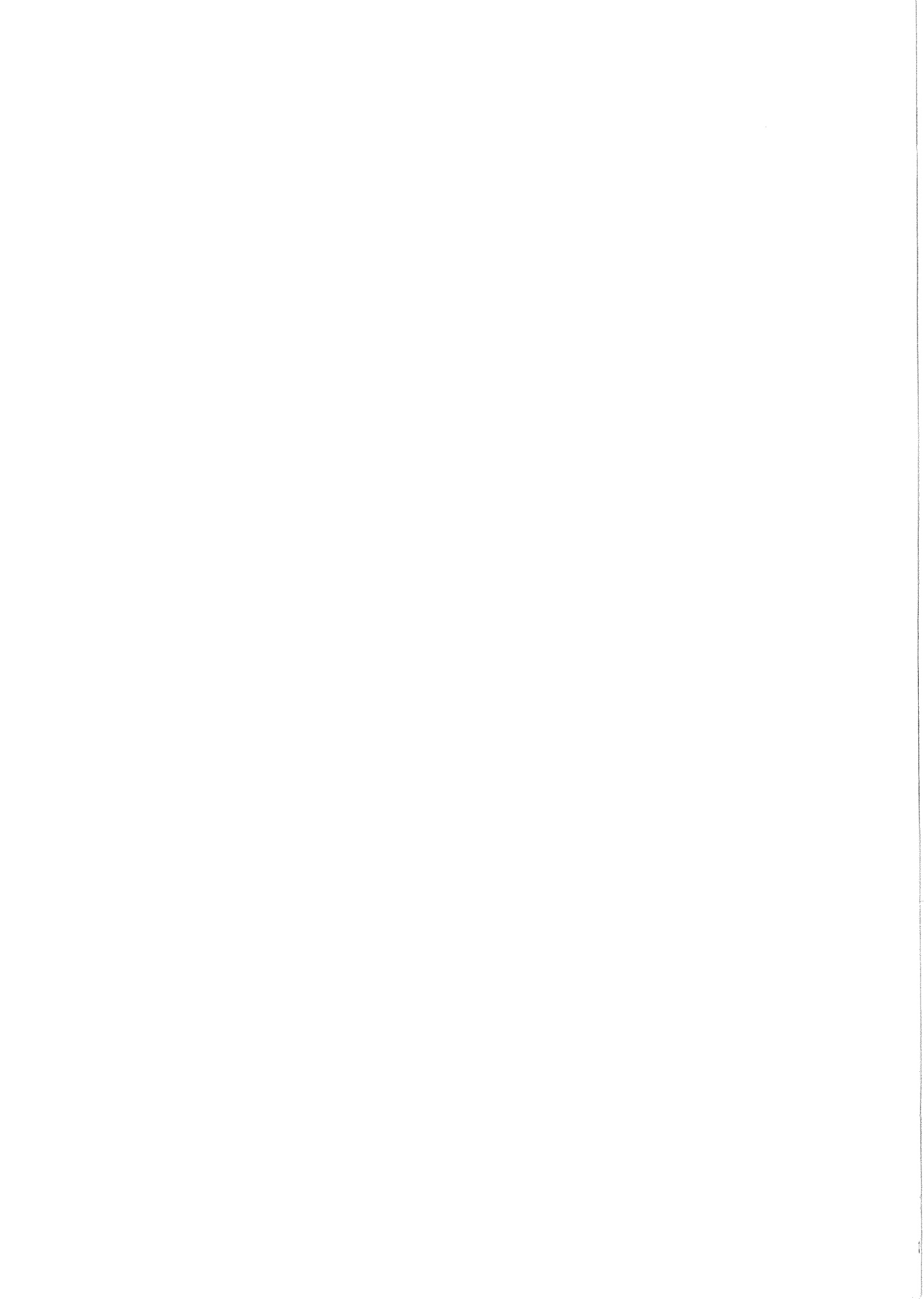
T2 SPARE PARTS**3.1b**

Machines from 2021

Main Frame Assembly

Assy No 59000A

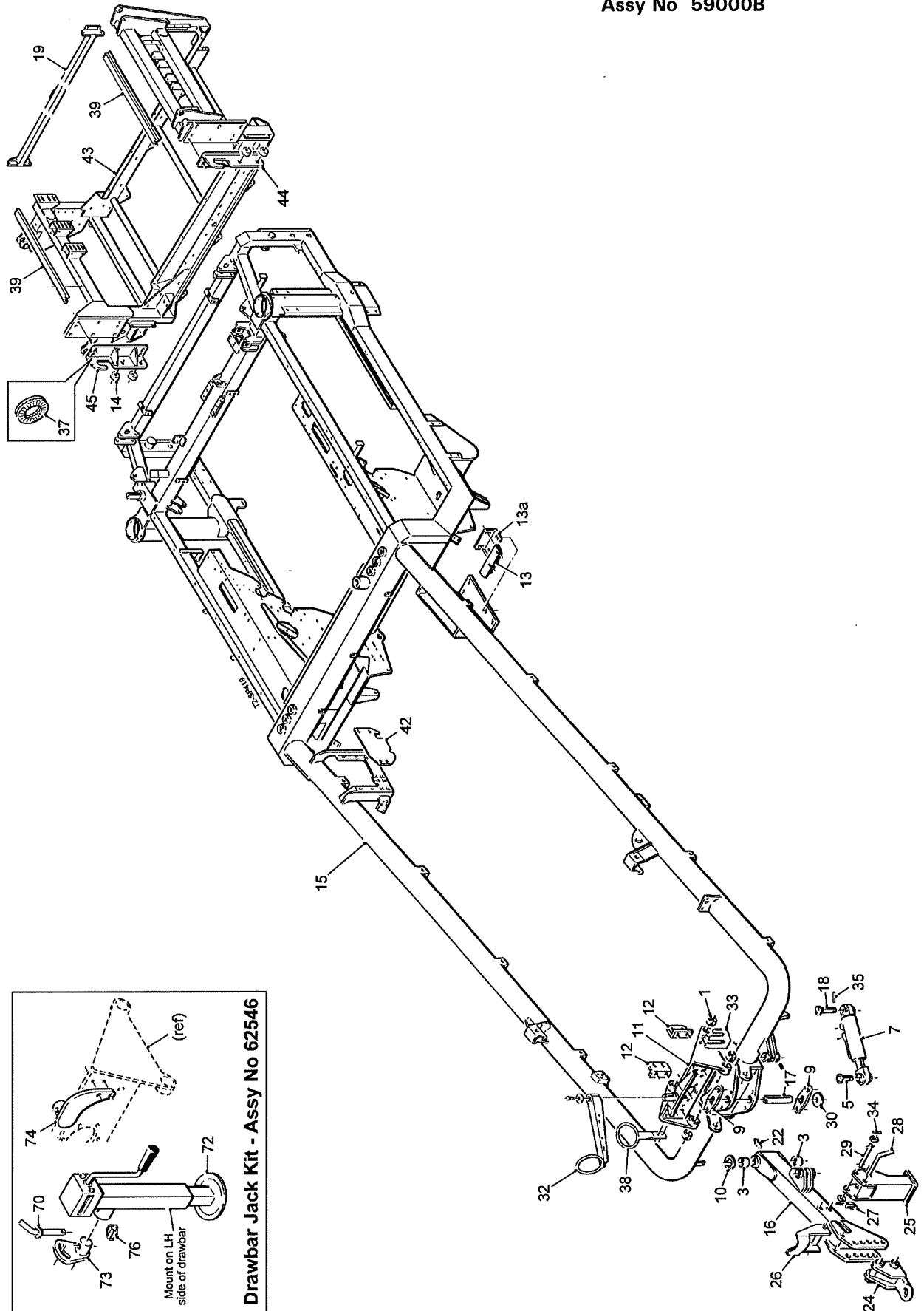
Item	Part No.	Description	Qty.	Remarks
47				
48	64998B	Outer Guide (16mm Step)	8	
49	70187	M12 Special Grease Bolt	12	
50	70188/8	Full Width Steel Wear Strip (8mm)	1	
50a	70188/10	Full Width Steel Wear Strip (10mm)	1	
51	70083A/8	Steel Wear Strip (8mm)	1	
51a	70083A/10	Steel Wear Strip (10mm)	1	
52	70083B/8	Steel Wear Strip (8mm)	1	
52a	70083B/10	Steel Wear Strip (10mm)	1	
53				
54	SS070017/005	Steel Spacer	2	
55	22011012/030	M12x30 Setscrew	4	
55a	22011012/020	M12x20 Setscrew	32	Was 22108012/020
<hr/>				
Optional Nylon Wear Strips				
60	70083	Nylon Wear Strip	4	
61	70083A	Nylon Wear Strip	2	
62	70083B	Nylon Wear Strip	2	
<hr/>				
Drawbar Jack Kit Consists Of:				
70	62546 41060	Locking Pin	1	
71				
72	61024	Drawbar Jack	1	
73	62246	Jack Mounting Bracket	1	
74	62247	Jack Stowage Bracket	1	
75				
76	REK215	Ø6mm Linchpin	1	



Machines from Serial No T2-288

Main Frame Assembly

Assy No 59000B



3.1a**T2 SPARE PARTS**

Machines from Serial No T2-288

Main Frame Assembly

Assy No 59000B

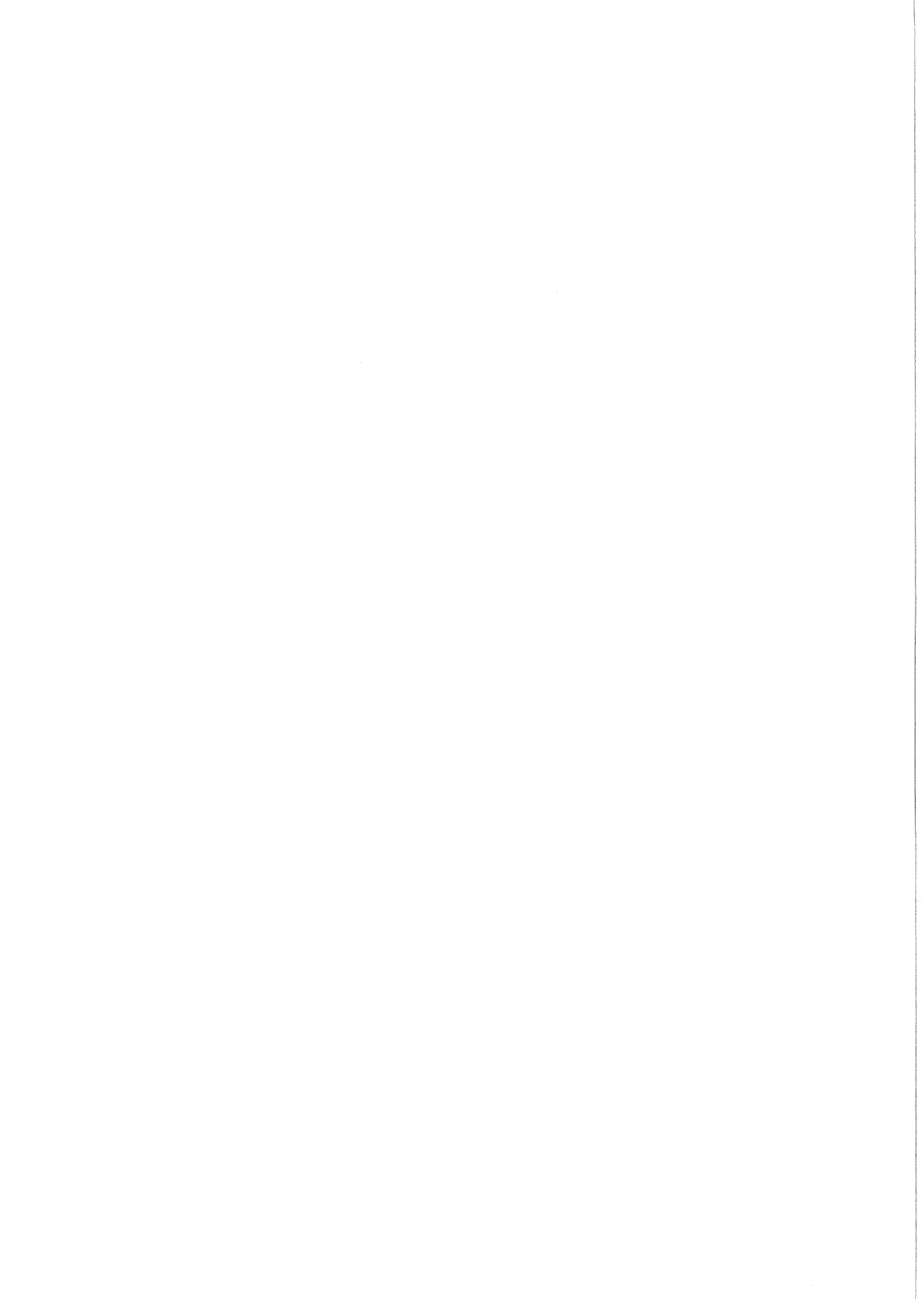
Item	Part No.	Description	Qty.	Remarks
1	42091	Bush	4	
2				
3	44189	Nylon Bush	2	
4				
5	46391	Ram Pin	1	
6				
7	59626	Hydraulic Ram	1	
8				
9	56120	Pin Keep Plate	2	
10	56121	Thrust Washer	1	
11	56275	Gearbox Mounting	1	
12	56529	Gearbox Support Angle	2	
13	64892A	Cooler Support Bracket Top	1	
13a	64892B	Cooler Support Bracket Bottom	1	
14	64972	Clamp Washer	4	
15	70310	Main Frame	1	
16	59101	Drawbar	1	
17	59102	Pivot Pin	1	
18	59366	Ram Pin	1	
19	59686	Tie Beam	1	
20				
21				
22	GS411	1/8"BSP Angled Grease Nipple	1	
23				
24	RPA610.300014	Drawbar Eye	1	
25	RPA610.307369	Stand	1	
26	59682	PTO Rest	1	
27	RPF232.060000	Linch Pin	1	
28	RPM146.305150	Pin	1	
29	RPM146.307375	Pin	1	
30	SS070017/005	Steel Spacer	2	
31				
32	59666	Hose Support Arm	1	
33	59667	Hose Support Plate	1	
34	22067006/030	Ø6x30 Roll Pin	2	
35	22067006/040	Ø6x40 Roll Pin	2	
36				
37	22121020	M20 Nord-Lock Washer	14	
38	62925	Hose Support Ring	1	
39				
40				
41				
42	64751	Valve Shield	1	
43	64784	Rear Frame	1	1125mm wide elevator
44	64794L	Mounting Hook LH	1	Used with roller table
	64873	Mounting Hook LH	1	Used with Omega
45	64794R	Mounting Hook RH	1	Used with roller table
	64874	Mounting Hook RH	1	Used with Omega

T2 SPARE PARTS**3.1b**

Machines from Serial No T2-288

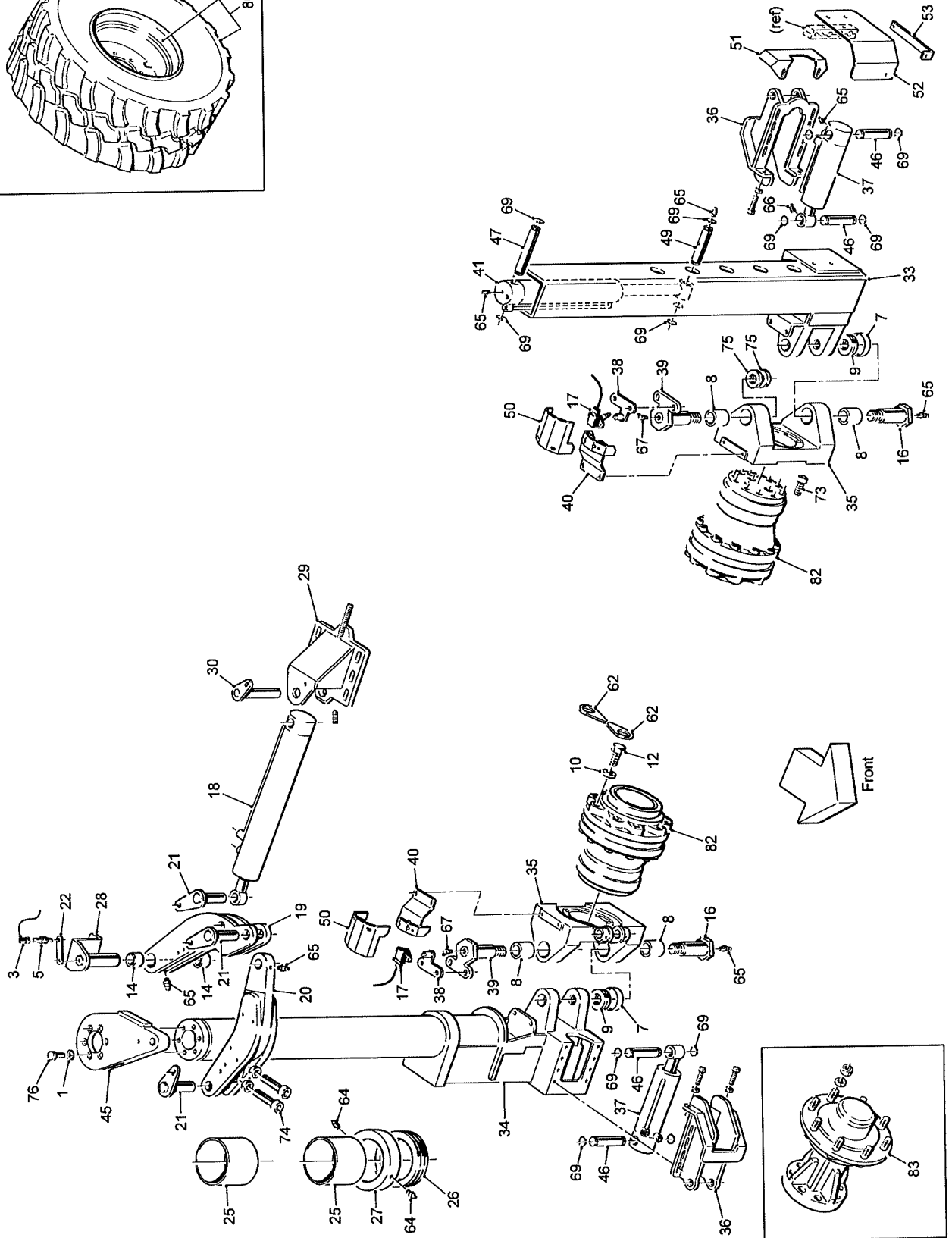
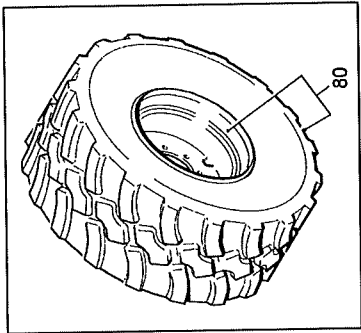
Main Frame Assembly**Assy No 59000B**

Item	Part No.	Description	Qty.	Remarks
70	62546	Drawbar Jack Kit Consists Of:		
71	41060	Locking Pin	1	
72	61024	Drawbar Jack	1	
73	62246	Jack Mounting Bracket	1	
74	62247	Jack Stowage Bracket	1	
75				
76	REK215	Ø6mm Linchpin	1	



Machines from 2021

ROTO Axle Assembly Assy No 64752

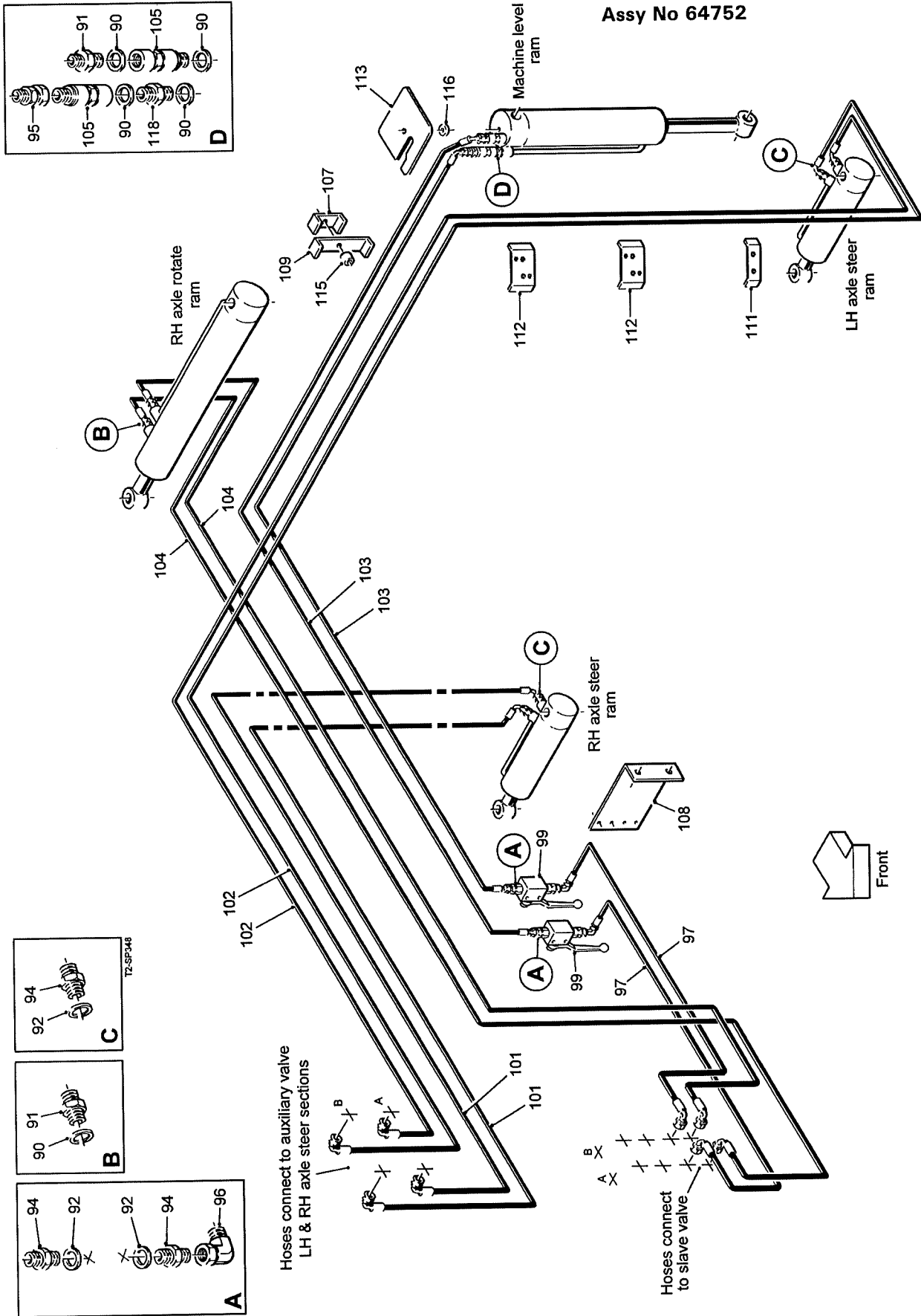


3.2a

T2 SPARE PARTS

Machines from 2021

ROTO Axle Assembly Assy No 64752



T2 SPARE PARTS**3.2b**

Machines from 2021

ROTO Axle Assembly

Assy No 64752

Item	Part No.	Description	Qty.	Remarks
1	23255	M18 Spherical Spring Washer	6	
2				
3	32037/2	90° Sensor Cable (5m)	1	
4				
5	41504	Proximity Sensor	1	
6				
7	44140	Bearing Shroud	2	
8	44189	Nylon Bush	4	
9	44190	Thrust Bearing	2	
10	44191	Wheel Washer	16	
11				
12	46181	M20 Wheel Bolt	16	
13				
14	52046	Nylon Bush	2	
15				
16	56136	King Pin Bottom	2	
17	56320	Angle Sensor	2	
18	56333	Hydraulic Ram	1	
19	56337A	Ram Link	1	
20	56338A	Link	1	
21	56349	Link Pivot Pin	3	
22	56539	Reverse Sensor Mounting	1	
23				
24				
25	62020	Axle Bush	2	
26	62135	Thrust Bearing	1	
27	62136	Bearing Shroud	1	
28	62476	Ram Link Mounting	1	
29	62917	Ram Mounting	1	
30	62918	Ram Pin	1	
31				
32				
33	64773	Axle Leg LH	1	
34	64774	Axle Leg RH	1	
35	64775	Wheel Motor Mounting	2	
36	64776	Steer Ram Mounting	2	
37	64777	Hydraulic Ram	2	
38	64780	Sensor Pin	2	
39	64781	King Pin Top	2	
40	64782	Sensor Mounting	2	
41	64785	Hydraulic Ram	1	
42				
43				
44				
45	64788	Rotate Arm	1	
46	64792	Ram Pin	4	
47	64793	Ram Pin	1	
48				
49	64865	Ram Pin	1	
50	64867	Sensor Guard	1	
51	64924	Pipe Shield	1	
52	64950	Pipe Shield	1	
53	64951	Shield Strap	1	
54				
55				

Machines from 2021

ROTO Axle Assembly

Assy No 64752

Item	Part No.	Description	Qty.	Remarks
56				
57				
58				
59				
60				
61				
62	BE09-070	Wheel Nut Indicator	16	
63				
64	RPC648.061000	M6 Grease Nipple Straight	4	
65	RPC648.081250	M8 Grease Nipple Straight	6	
66	RPC648.081251	M8 Grease Nipple 45°	2	
67	RPC648.081252	M8 Grease Nipple 90°	2	
68				
69	RPF200.030200	Ø30 External Circlip	12	
70				
71				
72				
73	22015016/060BZP	M16x60 Socket Cap Screw	16	
74	22015020/080BZP	M20x80 Socket Cap Screw	2	
75	22034039	M39 Half Nut	8	
76	22123018/050	M18x50 Setscrew	6	
77				
78				
79				
80	64095P	Wheel Assembly 550/60-22.5	2	Powered axle
	64095NP	Wheel Assembly 550/60-22.5	2	Non-powered axle
	64804P	Wheel Assembly 700/50-22.5	2	Powered axle
81				
82	46103	Wheel Motor (without brakes)	2	Powered axle
	59109	Wheel Motor (with brakes)	2	Powered axle
83	62294	Stub Axle Assembly	2	Non-powered axle
84				
85				
86				
		Hydraulic Components Consist of:		
90	11125	3/8"BSP Dowty Seal	6	
91	11336	1/4"BSPx3/8"BSP M M Adaptor	3	
92	11337	1/4"BSP Dowty Seal	8	
93				
94	12316	1/4"BSP M M Adaptor	8	
95	27894	1/4"BSPMx3/8"BSPF Swivel Adaptor	1	
96	32474	1/4"BSP M F Compact 90°	2	
97	32890	1/4"Hose Assembly (1500mm)	2	
98				
99	41485	1/4"BSP Shut-Off Valve	2	
100				
101	60921	1/4"Hose Assembly (7550mm)	2	
102	60922	1/4"Hose Assembly (9800mm)	2	
103	60923	1/4"Hose Assembly (7500mm)	2	
104	60924	1/4"Hose Assembly (5950mm)	2	

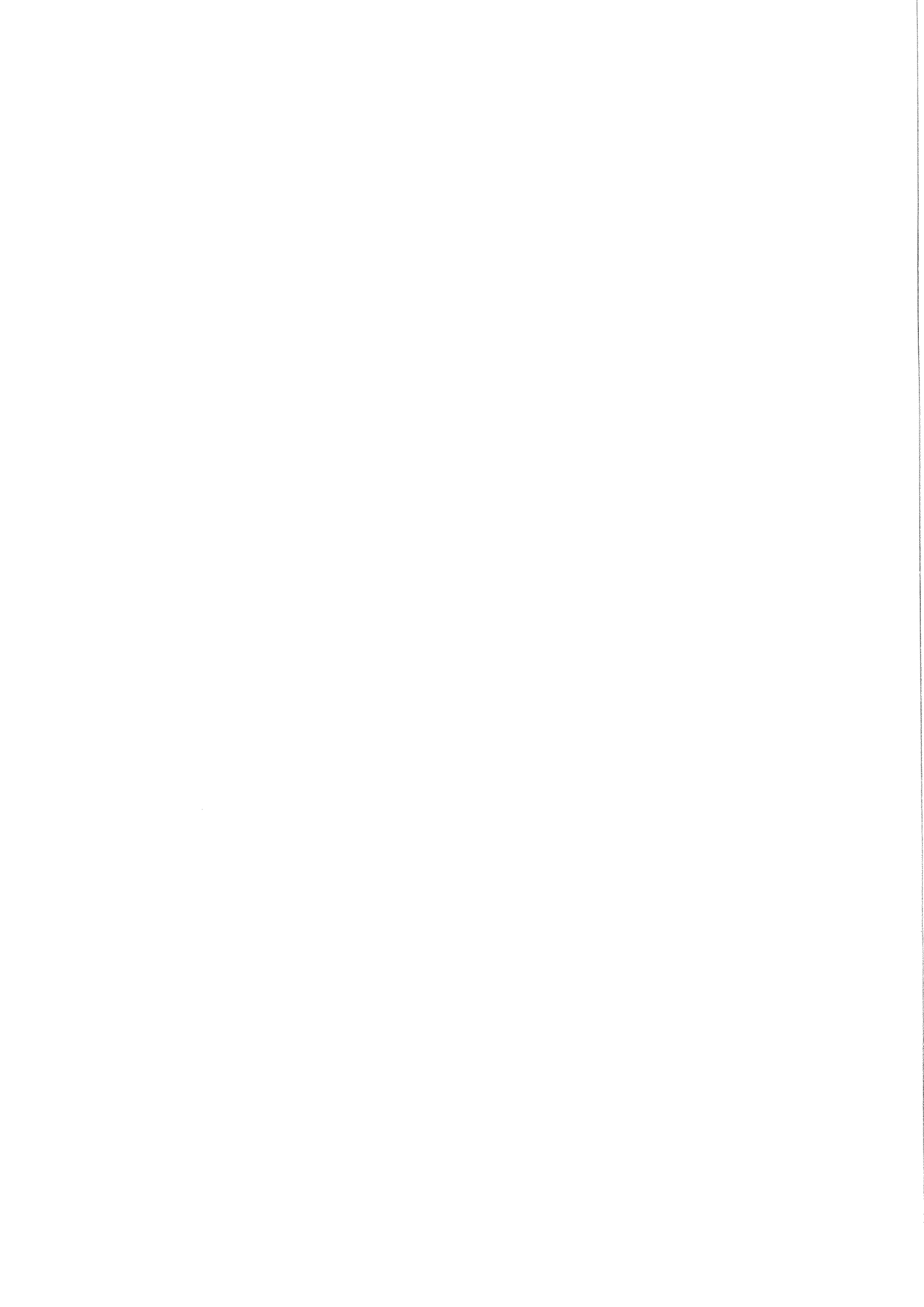
T2 SPARE PARTS**3.2d**

Machines from 2021

ROTO Axle Assembly

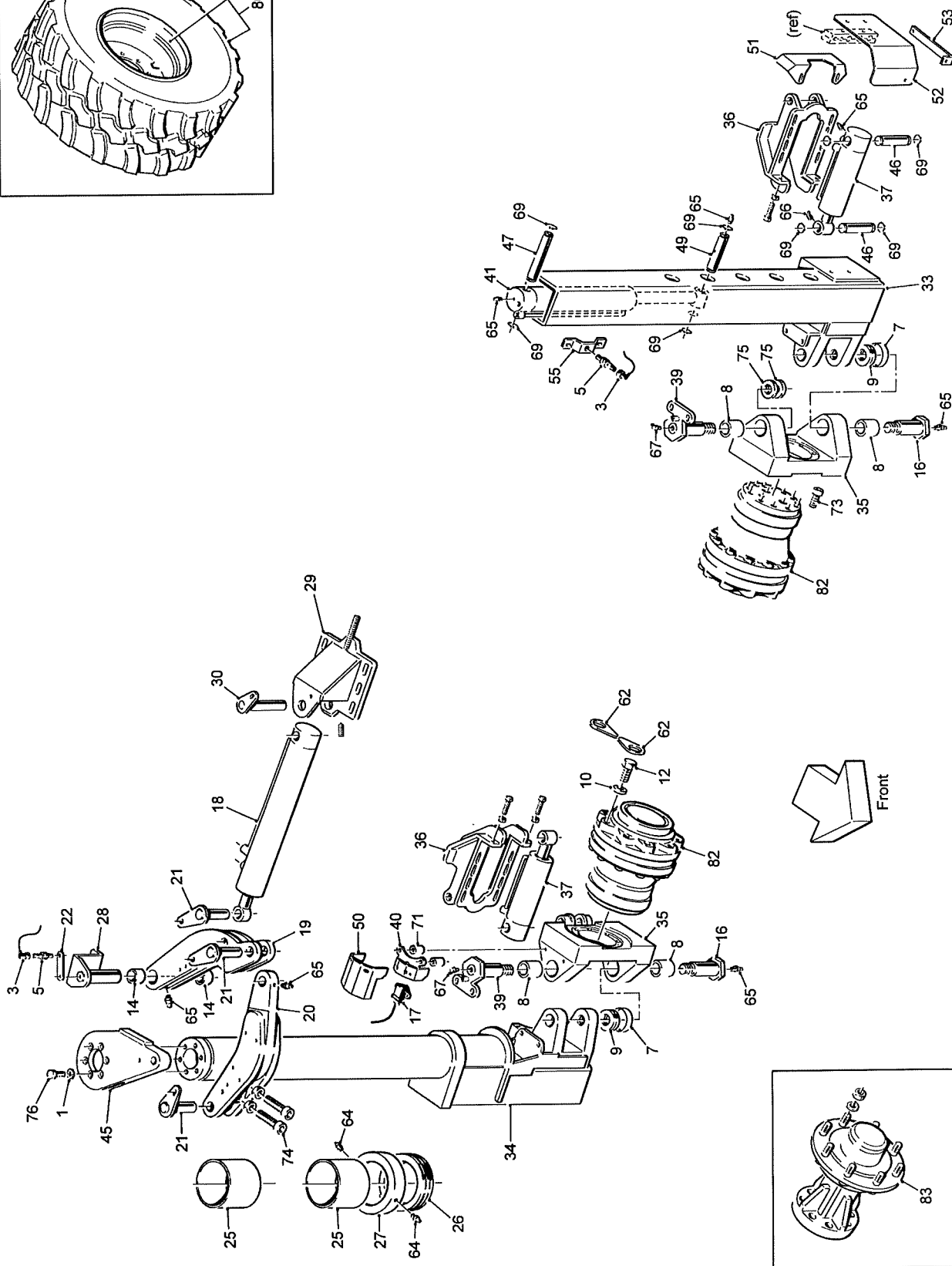
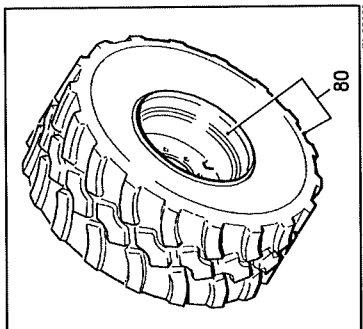
Assy No 64752

Item	Part No.	Description	Qty.	Remarks
105	60742	3/8"BSP M F Hose Burst Valve	2	
106				
107	62401	Pipe Clamp	3	
108	62539	Valve Mounting Bracket	1	
109	62764	Pipe Clamp	3	
110				
111	64795	Pipe Clamp (narrow)	1	
112	64796	Pipe Clamp (wide)	2	
113	64920	Axle Cap	1	
114				
115	SS013009/020	Steel Spacer	3	
116	SS016009/005	Steel Spacer	1	
117				
118	UC31A	3/8"BSP M M Adaptor	1	



Machines from Serial No T2-264

ROTO Axle Assembly Assy No 64752

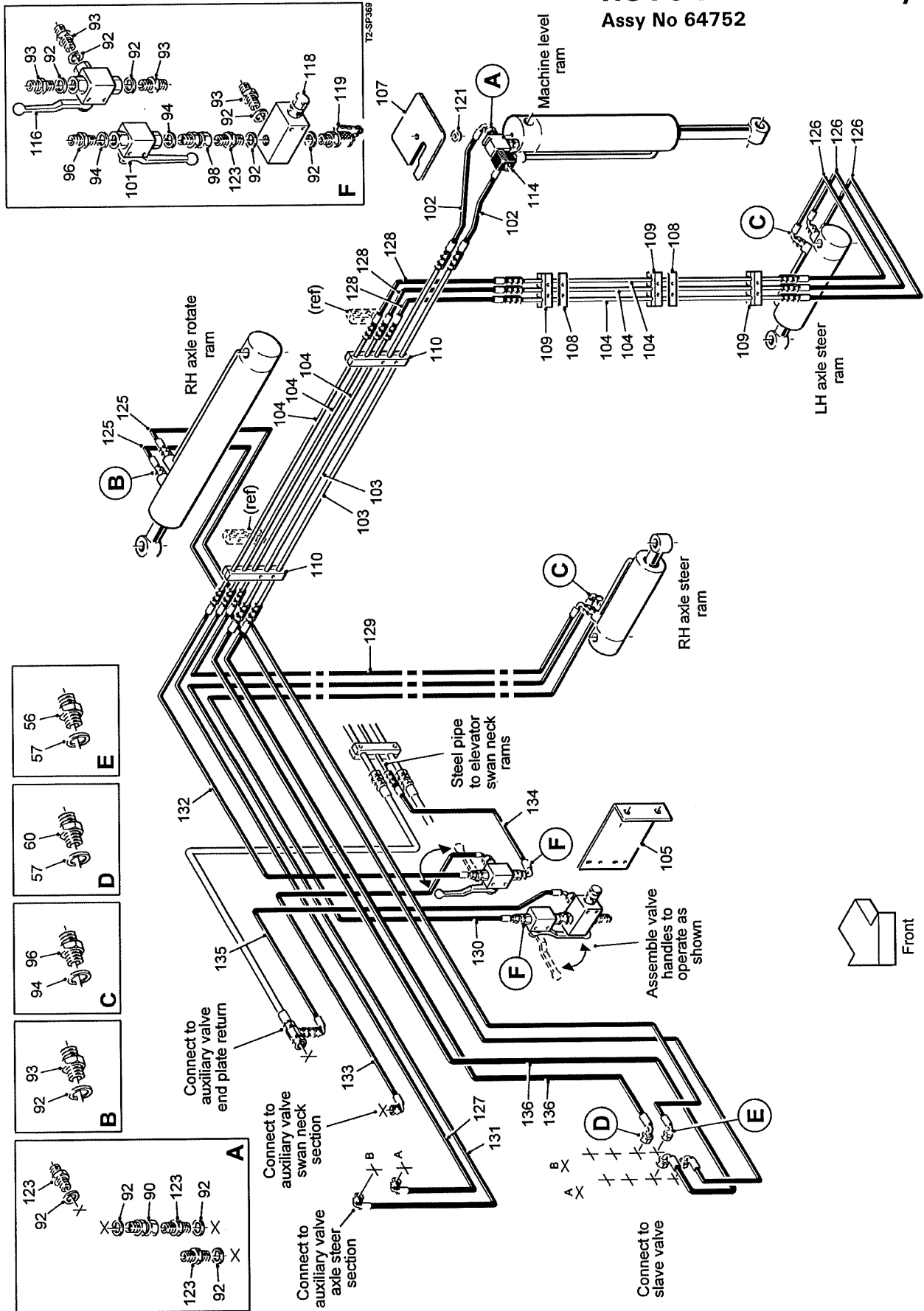


3.2a

T2 SPARE PARTS

Machines from Serial No T2-264

ROTO Axle Assembly Assy No 64752



T2 SPARE PARTS**3.2b**

Machines from Serial No T2-264

ROTO Axle Assembly

Assy No 64752

Item	Part No.	Description	Qty.	Remarks
1	23255	M18 Spherical Spring Washer	6	
2				
3	32037/4	90° Sensor Cable (10m)	2	
4				
5	41504	Proximity Sensor	2	
6				
7	44140	Bearing Shroud	2	
8	44189	Nylon Bush	4	
9	44190	Thrust Bearing	2	
10	44191	Wheel Washer	16	
11				
12	46181	M20 Wheel Bolt	16	
13				
14	52046	Nylon Bush	2	
15				
16	56136	King Pin Bottom	2	
17	56320	Angle Sensor	1	
18	56333	Hydraulic Ram	1	
19	56337A	Ram Link	1	
20	56338A	Link	1	
21	56349	Link Pivot Pin	3	
22	56539	Reverse Sensor Mounting	1	
23				
24				
25	62020	Axle Bush	2	
26	62135	Thrust Bearing	1	
27	62136	Bearing Shroud	1	
28	62476	Ram Link Mounting	1	
29	62917	Ram Mounting	1	
30	62918	Ram Pin	1	
31				
32				
33	64773	Axle Leg LH	1	
34	64774	Axle Leg RH	1	
35	64775	Wheel Motor Mounting	2	
36	64776	Steer Ram Mounting	2	
37	64777	Hydraulic Ram	2	
38				
39	64781	King Pin Top	2	
40	64782	Sensor Mounting	1	
41	64785	Hydraulic Ram	1	
42				
43				
44				
45	64788	Rotate Arm	1	
46	64792	Ram Pin	4	
47	64793	Ram Pin	1	
48				
49	64865	Ram Pin	1	
50	64867	Sensor Guard	1	
51	64924	Pipe Shield	1	
52	64950	Pipe Shield	1	
53	64951	Shield Strap	1	
54				
55	70031	Sensor Mounting	1	

3.2c**T2 SPARE PARTS**

Machines from Serial No T2-264

ROTO Axle Assembly

Assy No 64752

Item	Part No.	Description	Qty.	Remarks
56	44207	M14x1/4"BSP M M Adaptor	2	
57	44208	M14 Dowty Seal	4	
58				
59				
60	RPS742	M14x3/8"BSP	2	
61				
62	BE09-070	Wheel Nut Indicator	16	
63				
64	RPC648.061000	M6 Grease Nipple Straight	4	
65	RPC648.081250	M8 Grease Nipple Straight	6	
66	RPC648.081251	M8 Grease Nipple 45°	2	
67	RPC648.081252	M8 Grease Nipple 90°	2	
68				
69	RPF200.030200	Ø30 External Circlip	12	
70				
71	SS025011/050	Steel Spacer	2	
72				
73	22015016/060BZP	M16x60 Socket Cap Screw	16	
74	22015020/080	M20x80 Socket Cap Screw	2	Was 22015020/080BZP
75	22034039	M39 Half Nut	8	
76	22123018/050	M18x50 Setscrew	6	
77				
78				
79				
80	64095P	Wheel Assembly 550/60-22.5	2	Powered axle
	64095NP	Wheel Assembly 550/60-22.5	2	Non-powered axle
	64804P	Wheel Assembly 700/50-22.5	2	Powered axle
81				
82	46103	Wheel Motor (without brakes)	2	Powered axle
	59109	Wheel Motor (with brakes)	2	Powered axle
83	62294	Stub Axle Assembly	2	Non-powered axle
84				
85				
86				
		Hydraulic Components Consist of:		
90	10128	3/8"BSP M F Swivel Adaptor	1	
91				
92	11125	3/8"BSP Dowty Seal	12	
93	11336	1/4"BSPx3/8"BSP M M Adaptor	6	
94	11337	1/4"BSP Dowty Seal	8	
95				
96	12316	1/4"BSP M M Adaptor	7	
97				
98	27894	1/4"BSPMx3/8"BSPF Swivel Adaptor	1	
99				
100				
101	41485	1/4"BSP 2-Way Ball Valve	1	
102	46261	3/8"Hose Assembly (800mm)	2	
103	60390	Ø12 Steel Pipe Assembly	2	
104	60957	Ø10 Steel Pipe Assembly	6	

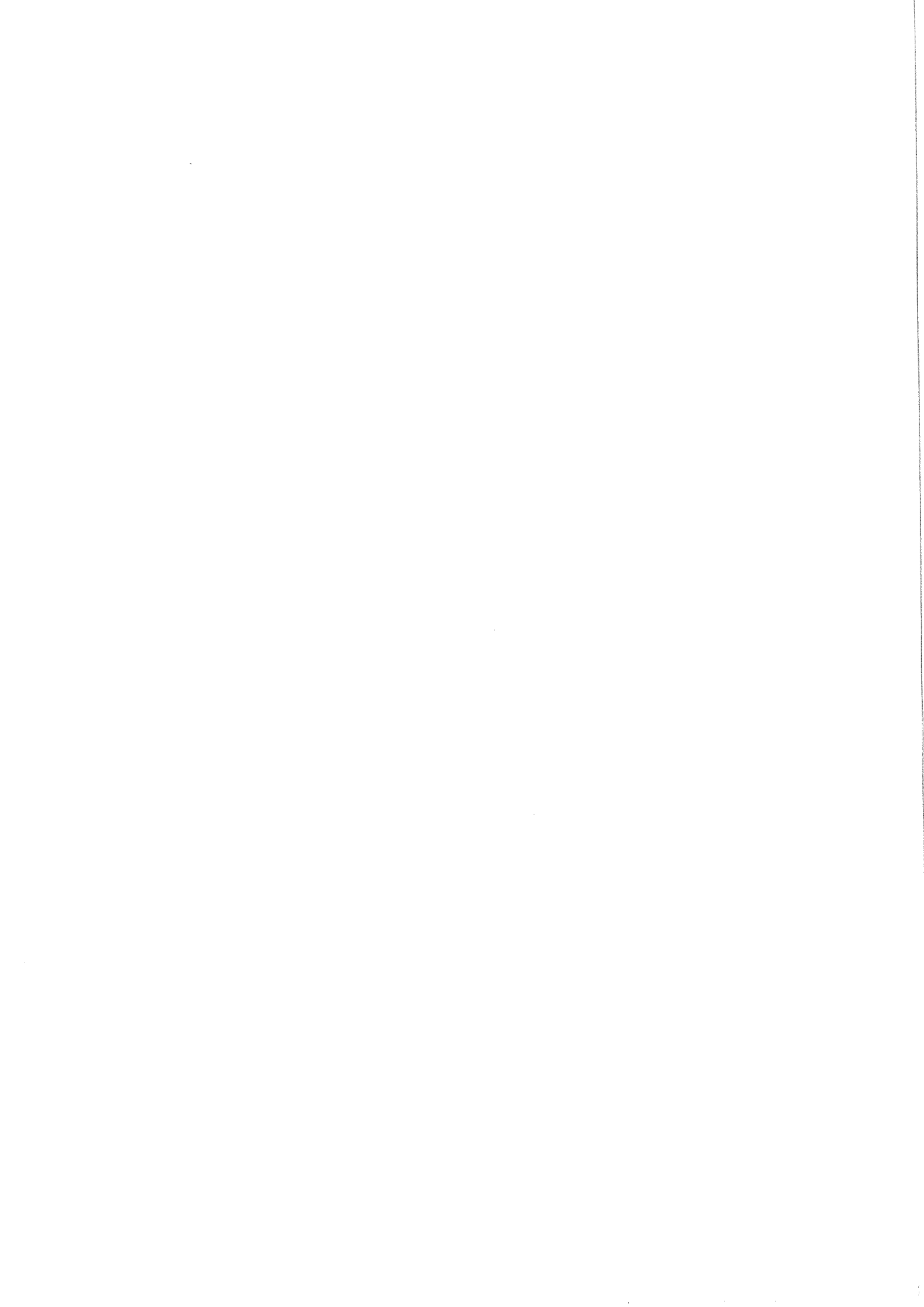
T2 SPARE PARTS**3.2d**

Machines from Serial No T2-264

ROTO Axle Assembly

Assy No 64752

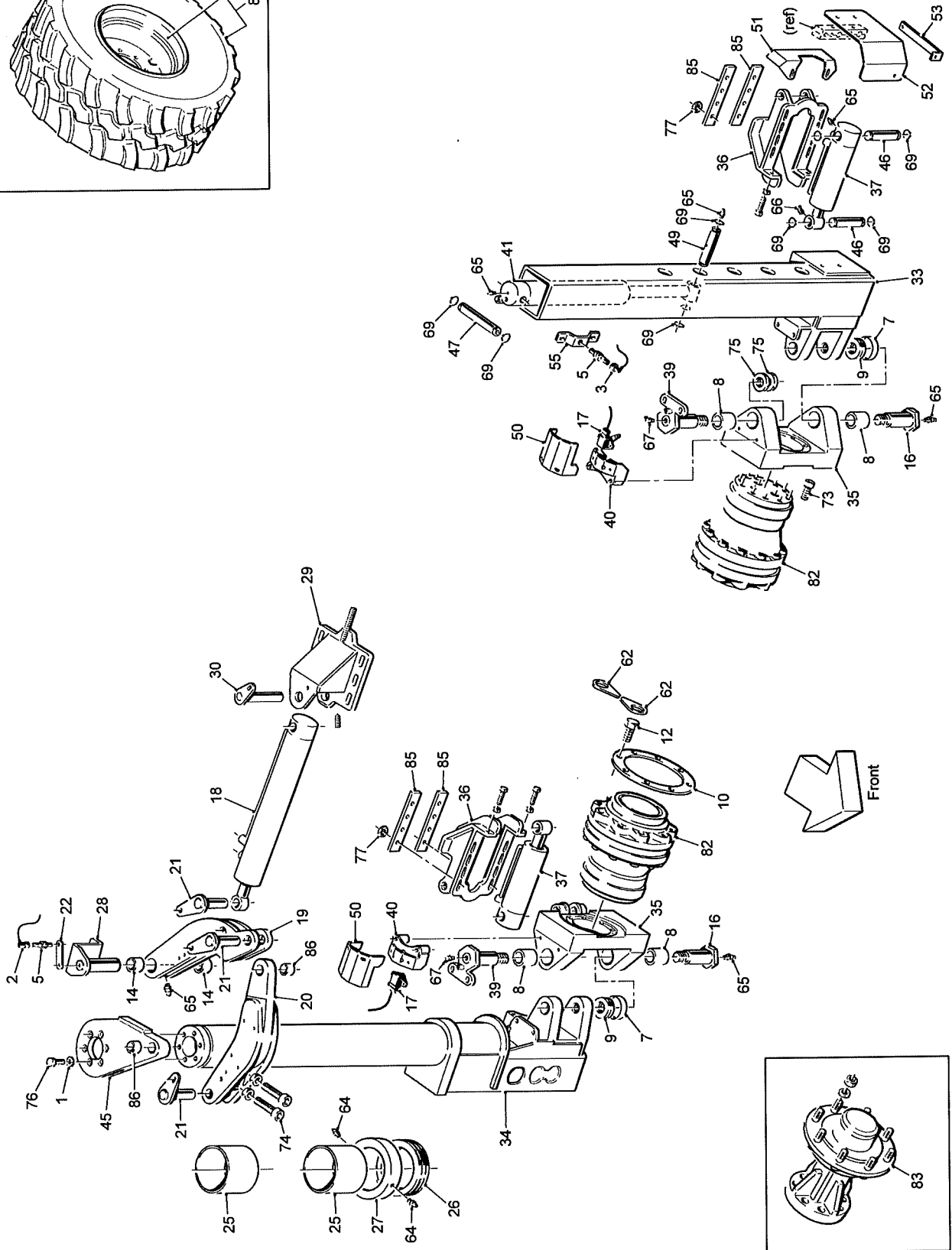
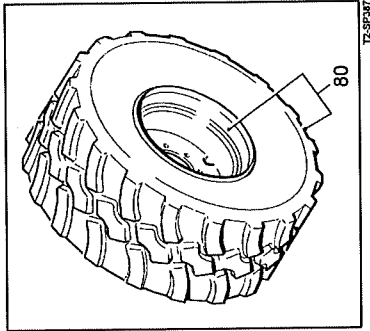
Item	Part No.	Description	Qty.	Remarks
105	62539	Valve Mounting Bracket	1	
106				
107	64920	Axle Cap	1	
108	64796	Clamp Plate	2	
109	64990	Pipe Clamp (10-10-10)	3 pairs	
110	64990A	Pipe Clamp (10-10-10-12-12)	2 pairs	
111				
112				
113				
114	70000	2-Way Poppet Valve	1	
115				
116	DW202046260	3/8"BSP 3-Way Ball Valve	1	
117				
118	RPS935	3/8"BSP Pressure Relief Valve	1	
119	RPS936	3/8"BSP Gauge Port	1	
120				
121	SS016009/005	Steel Spacer	1	
122				
123	UC31A	3/8"BSP M M Adaptor	4	
124				
125	60924	1/4"Hose Assembly (5950mm)	2	
126	60235	1/4"Hose Assembly (1350mm)	3	
127	60511	1/4"Hose Assembly (4650mm)	1	
128	60982	1/4"Hose Assembly (1600mm)	3	
129	60983	1/4"Hose Assembly (4300mm)	1	
130	60984	1/4"Hose Assembly (8550mm)	1	
131	60985	1/4"Hose Assembly (8150mm)	1	
132	60986	1/4"Hose Assembly (5350mm)	1	
133	60987	1/4"Hose Assembly (2150mm)	1	
134	60988	1/4"Hose Assembly (600mm)	1	
135	60989	1/4"Hose Assembly (1500mm)	1	
136	60990	3/8"Hose Assembly (4750mm)	2	



Machines from Serial No T2-273

ROTO Axle Assembly

Assy No 64752

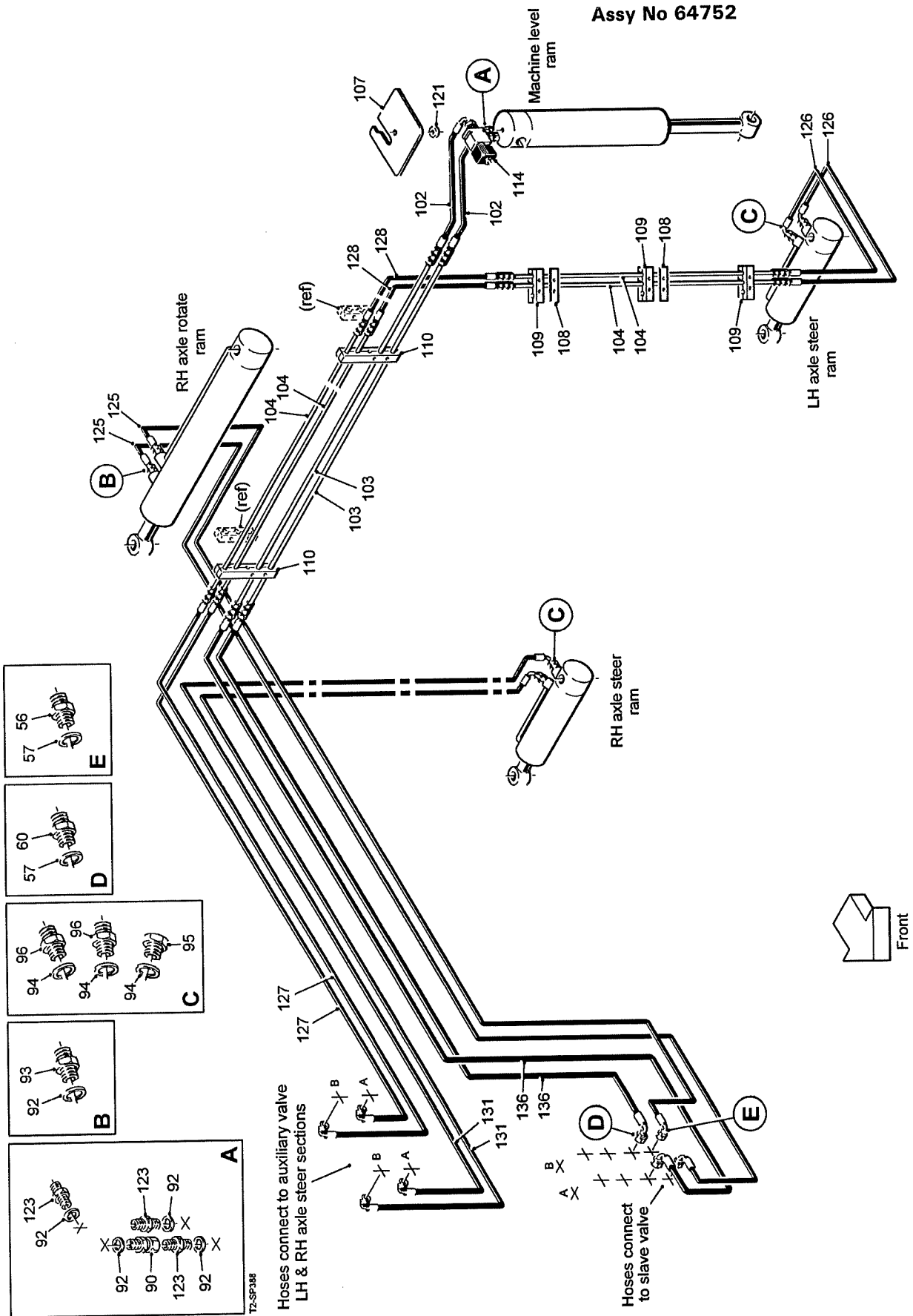


3.2a

T2 SPARE PARTS

Machines from Serial No T2-273

ROTO Axle Assembly Assy No 64752



T2 SPARE PARTS**3.2b**

Machines from Serial No T2-273

ROTO Axle Assembly**Assy No 64752**

Item	Part No.	Description	Qty.	Remarks
1	23255	M18 Spherical Spring Washer	6	
2	32037/2	90° Sensor Cable (5m)	1	
3	32037/4	90° Sensor Cable (10m)	1	
4				
5	41504	Proximity Sensor	2	
6				
7	44140	Bearing Shroud	2	
8	44189	Nylon Bush	4	
9	44190	Thrust Bearing	2	
10	70185	Fixing Ring	2	Was 44191 washer x16
11				
12	46181	M20 Wheel Bolt	16	
13				
14	52046	Nylon Bush	2	
15				
16	56136	King Pin Bottom	2	
17	56320	Angle Sensor	2	
18	56333	Hydraulic Ram	1	
19	56337A	Ram Link	1	
20	56338A	Link	1	
21	56349	Link Pivot Pin	3	
22	56539	Reverse Sensor Mounting	1	
23				
24				
25	62020	Axle Bush	2	
26	62135	Thrust Bearing	1	
27	62136	Bearing Shroud	1	
28	62476	Ram Link Mounting	1	
29	62917	Ram Mounting	1	
30	62918	Ram Pin	1	
31				
32				
33	64773	Axle Leg LH	1	
34	64774	Axle Leg RH	1	
35	64775	Wheel Motor Mounting	2	
36	64776	Steer Ram Mounting	2	
37	64777	Hydraulic Ram	2	
38				
39	64781	King Pin Top	2	
40	64782	Sensor Mounting	2	
41	64785	Hydraulic Ram	1	
42				
43				
44				
45	64788	Rotate Arm	1	
46	64792	Ram Pin	4	
47	64793	Ram Pin	1	
48				
49	64865	Ram Pin	1	
50	64867	Sensor Guard	2	
51	64924	Pipe Shield	1	
52	64950	Pipe Shield	1	
53	64951	Shield Strap	1	
54				
55	70031	Sensor Mounting	1	

3.2c

T2 SPARE PARTS

Machines from Serial No T2-273

ROTO Axle Assembly

Assy No 64752

Item	Part No.	Description	Qty.	Remarks
56	44207	M14x1/4"BSP M M Adaptor	2	
57	44208	M14 Dowty Seal	4	
58				
59				
60	RPS742	M14x3/8"BSP	2	
61				
62	BE09-070	Wheel Nut Indicator	16	
63				
64	RPC648.061000	M6 Grease Nipple Straight	4	
65	RPC648.081250	M8 Grease Nipple Straight	5	
66	RPC648.081251	M8 Grease Nipple 45°	2	
67	RPC648.081252	M8 Grease Nipple 90°	2	
68				
69	RPF200.030200	Ø30 External Circlip	12	
70				
71				
72				
73	22015016/060BZP	M16x60 Socket Cap Screw	16	
74	22015020/080	M20x80 Socket Cap Screw	2	
75	22034039	M39 Half Nut	8	
76	22123018/050	M18x50 Setscrew	6	
77	22121012	M12 Nordlock Washer	16	
78				
79				
80	64095P	Wheel Assembly 550/60-22.5	2	Powered axle
	64095NP	Wheel Assembly 550/60-22.5	2	Non-powered axle
	64804P	Wheel Assembly 700/50-22.5	2	Powered axle
	70065P	Wheel Assembly 700/40-22.5	2	Powered axle
81				
82	46103	Wheel Motor (without brakes)	2	Powered axle
	59109	Wheel Motor (with brakes)	2	Powered axle
83	62294	Stub Axle Assembly	2	Non-powered axle
84				
85	70085	Clamp Plate	4	
86	70087	Oilite Bush	2	
		Hydraulic Components Consist of:		
90	10128	3/8"BSP M F Swivel Adaptor	1	
91				
92	11125	3/8"BSP Dowty Seal	12	
93	11336	1/4"BSPx3/8"BSP M M Adaptor	2	
94	11337	1/4"BSP Dowty Seal	6	
95	11876/8	1/4"BSP Blanking Plug	2	
96	12316	1/4"BSP M M Adaptor	4	
97				
98				
99				
100				
101				
102	46261	3/8"Hose Assembly (800mm)	2	
103	60390	Ø12 Steel Pipe Assembly	2	
104	60957	Ø10 Steel Pipe Assembly	4	

T2 SPARE PARTS**3.2d**

Machines from Serial No T2-273

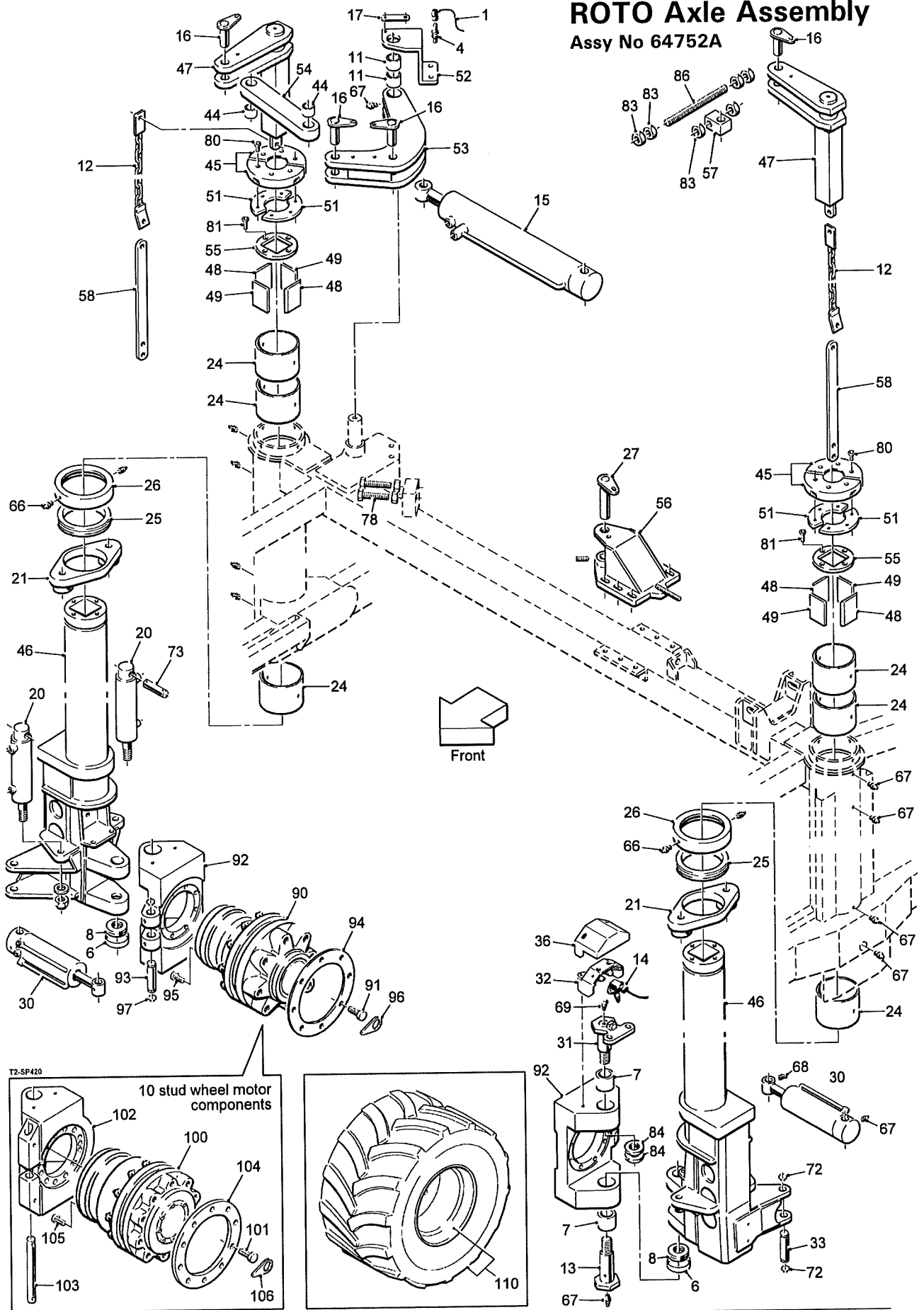
ROTO Axle Assembly**Assy No 64752**

Item	Part No.	Description	Qty.	Remarks
105				
106				
107	64920	Axle Cap	1	
108	64796	Clamp Plate	2	
109	64990	Pipe Clamp (10-10-10)	3 pairs	
110	64990A	Pipe Clamp (10-10-10-12-12)	2 pairs	
111				
112				
113				
114	70000	2-Way Poppet Valve	1	
115				
116				
117				
118				
119				
120				
121	SS016009/005	Steel Spacer	1	
122				
123	UC31A	3/8"BSP M M Adaptor	3	
124				
125	60924	1/4"Hose Assembly (5950mm)	2	
126	60235	1/4"Hose Assembly (1350mm)	2	
127	60511	1/4"Hose Assembly (4650mm)	2	
128	60982	1/4"Hose Assembly (1000mm)	2	
129				
130				
131	60985	1/4"Hose Assembly (8150mm)	2	
132				
133				
134				
135				
136	60990	3/8"Hose Assembly (4750mm)	2	



Machines from Serial No T2-288

ROTO Axle Assembly Assy No 64752A

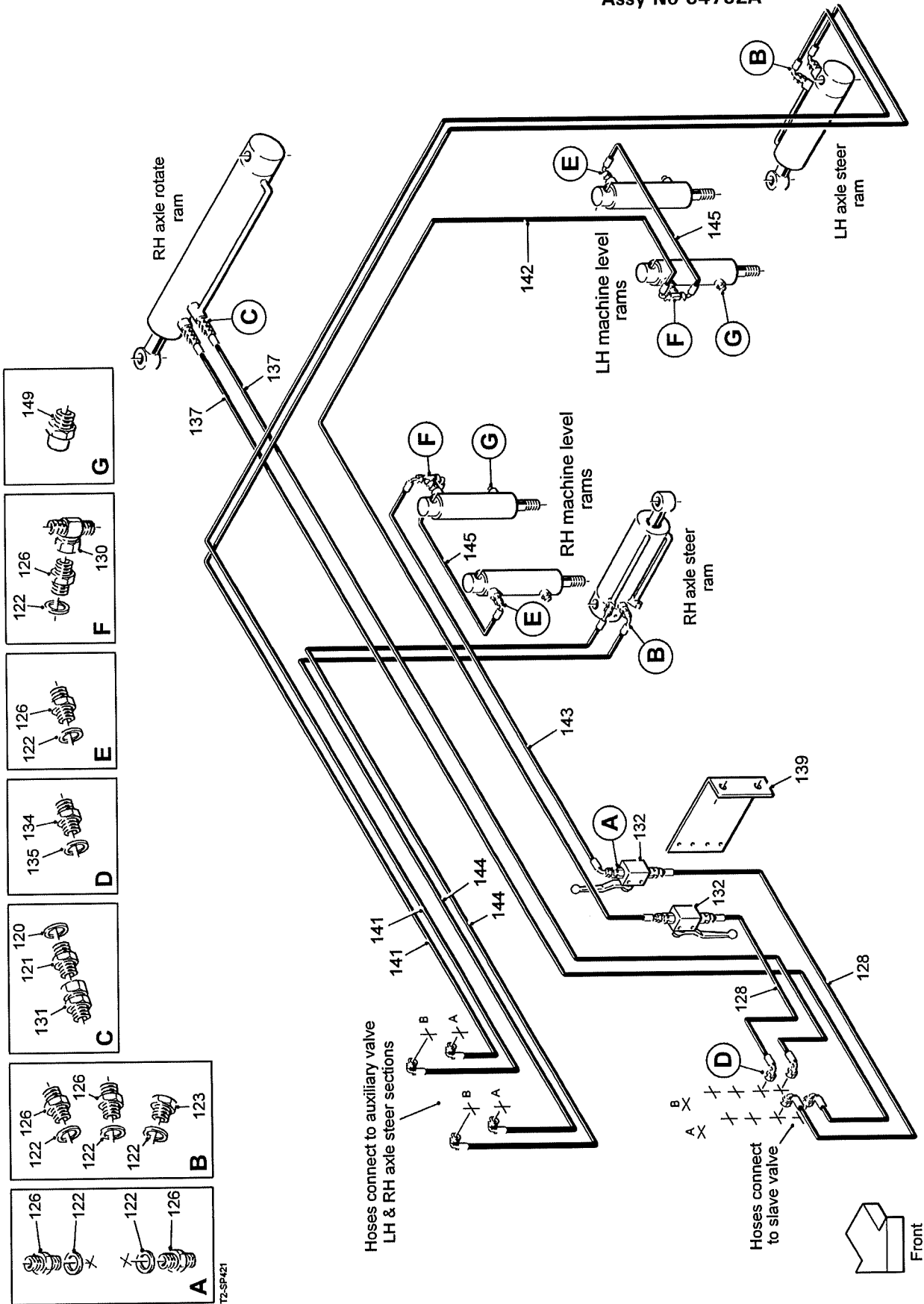


3.2a

T2 SPARE PARTS

Machines from Serial No T2-288

ROTO Axle Assembly Assy No 64752A



T2-SP-421

T2 SPARE PARTS**3.2b**

Machines from Serial No T2-288

ROTO Axle Assembly

Assy No 64752A

Item	Part No.	Description	Qty.	Remarks
1	32037/2	90° Sensor Cable	1	
2				
3				
4	41504	Proximity Sensor	1	
5				
6	44140	Bearing Shroud	2	
7	44189	Nylon Bush	4	
8	44190	Thrust Bearing	2	
9				
10				
11	52046	Nylon Bush	2	
12	54324	Support Chain	2	
13	56136	King Pin Bottom	2	
14	56320	Angle Sensor	2	
15	56333	Hydraulic Ram	1	
16	56349	Link Pivot Pin	4	
17	56539	Reverse Sensor Mounting Plate	1	
18				
19				
20	59979A	Hydraulic Ram	4	
21	59980A	Ram Mounting	2	
22				
23				
24	62020	Axle Bush	6	
25	62135	Thrust Bearing	2	
26	62136	Bearing Shroud	2	
27	62918A	Ram Pin	1	
28				
29				
30	64777	Hydraulic Ram	2	
31	64781	King Pin Top	2	
32	64782	Sensor Mounting	2	
33	64792	Ram Pin	2	
34				
35				
36	64867	Sensor Guard	2	
37				
38				
39				
40				
41				
42				
43				
44	70087	Oilite Bush	2	
45	70290	Retaining Ring	2	
46	70291	Axle Leg	2	
47	70295	Axle Leg Pin	2	
48	70296	5mm Bronze Shim (chamfered)	4	
49	70297	5mm Bronze Shim (plain)	4	
50				
51	70299	Retaining Ring Segment	4	
52	70300	Ram Arm Retaining Bracket	1	
53	70301	Ram Arm	1	
54	70302	Link	1	
55	70303	Shim Retainer Plate	2	

3.2c

T2 SPARE PARTS

Machines from Serial No T2-288

ROTO Axle Assembly

Assy No 64752A

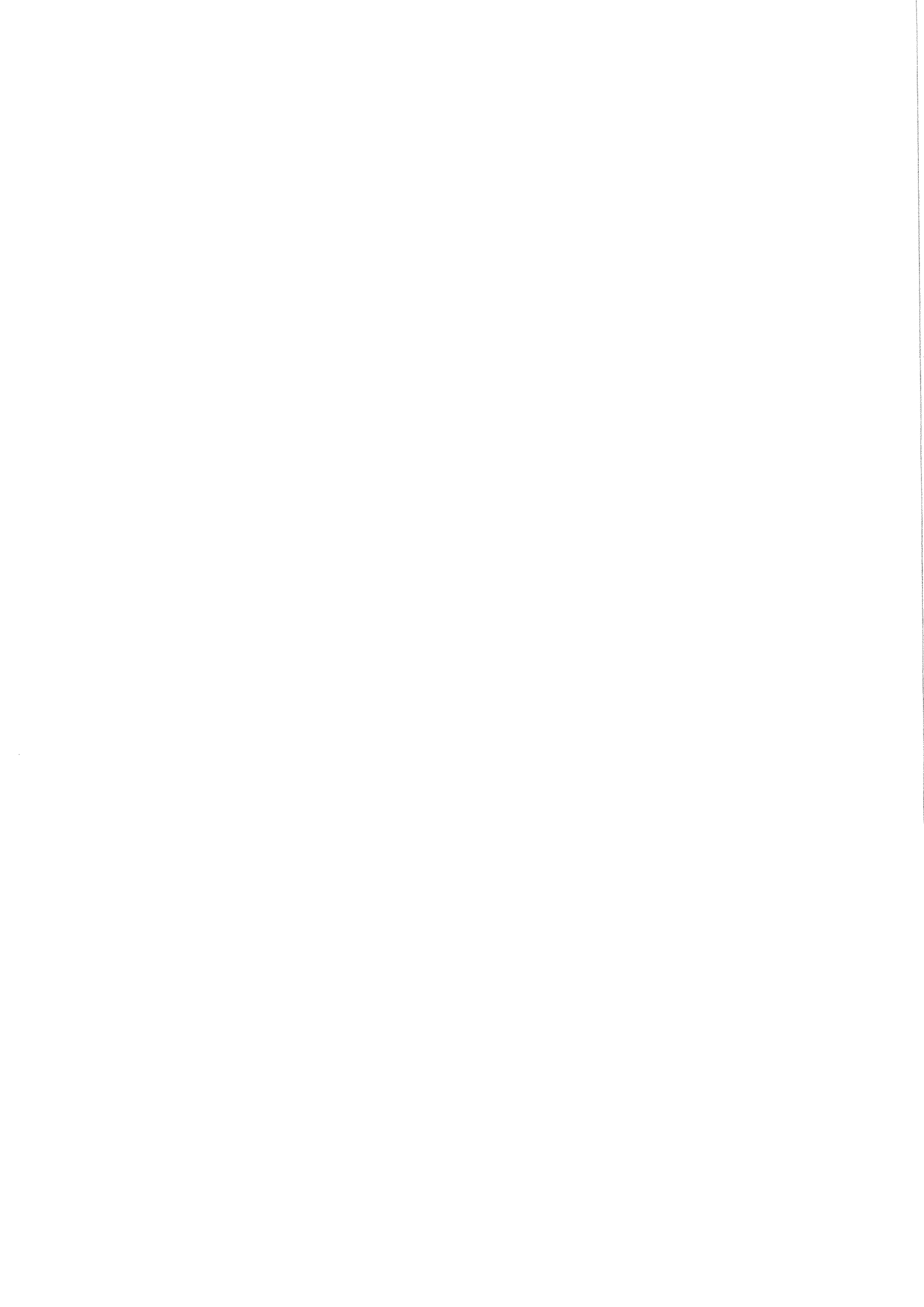
Item	Part No.	Description	Qty.	Remarks
56	70304	Ram Mounting	1	
57	70305	Adjuster Block	1	
58	70340	Axle Support Strap	2	
59				
60				
61				
62				
63				
64				
65				
66	RPC648.061000	M6 Grease Nipple Straight	4	
67	RPC648.081250	M8 Grease Nipple Straight	13	
68	RPC648.081251	M8 Grease Nipple 45°	2	
69	RPC648.081252	M8 Grease Nipple 90°	2	
70				
71				
72	RPF200.030200	Ø30 External Circlip	4	
73	RPM146.310853	Ram Pin	4	
74				
75				
76				
77				
78	22011024/100	M24x100 Setscrew	2	
79				
80	22016008/016	M8x16 CSK Setscrew	12	
81	22016008/025	M8x25 CSK Setscrew	8	
82				
83	22029024	M24 Full Nut	8	
84	22034039	M39 Half Nut	8	
85				
86	22106024/300	M24 Threaded Rod	1	
87				
88				
89				
		8 Stud Wheel Motor Components		
		Consist Of:		
90	46103	Wheel Motor (8 stud)	2	
91	46181	M20x45 Wheel Bolt	16	
92	64775	Wheel Motor Mounting	2	
93	64792	Ram Pin	2	
94	70185	Fixing Ring (8 stud)	2	
95	22015016/060BZP	M16x60 Socket Cap Screw	16	
96	BE09-070	M20 Wheel Nut Indicator	16	
97	RPF200.030200	Ø30 External Circlip	4	
		10 Stud Wheel Motor Components		
		Consist Of:		
100	56334	Wheel Motor (10 stud)	2	
101	56350	M22x60 Wheel Bolt	20	
102	70245	Wheel Motor Mounting	2	
103	70261	Ram Pin	2	
104	70185A	Fixing Ring (10 stud)	2	
105	56351	M20x50 Socket Cap Screw	24	
106	BE09-080	M22 Wheel Nut Indicator	20	

T2 SPARE PARTS**3.2d**

Machines from Serial No T2-288

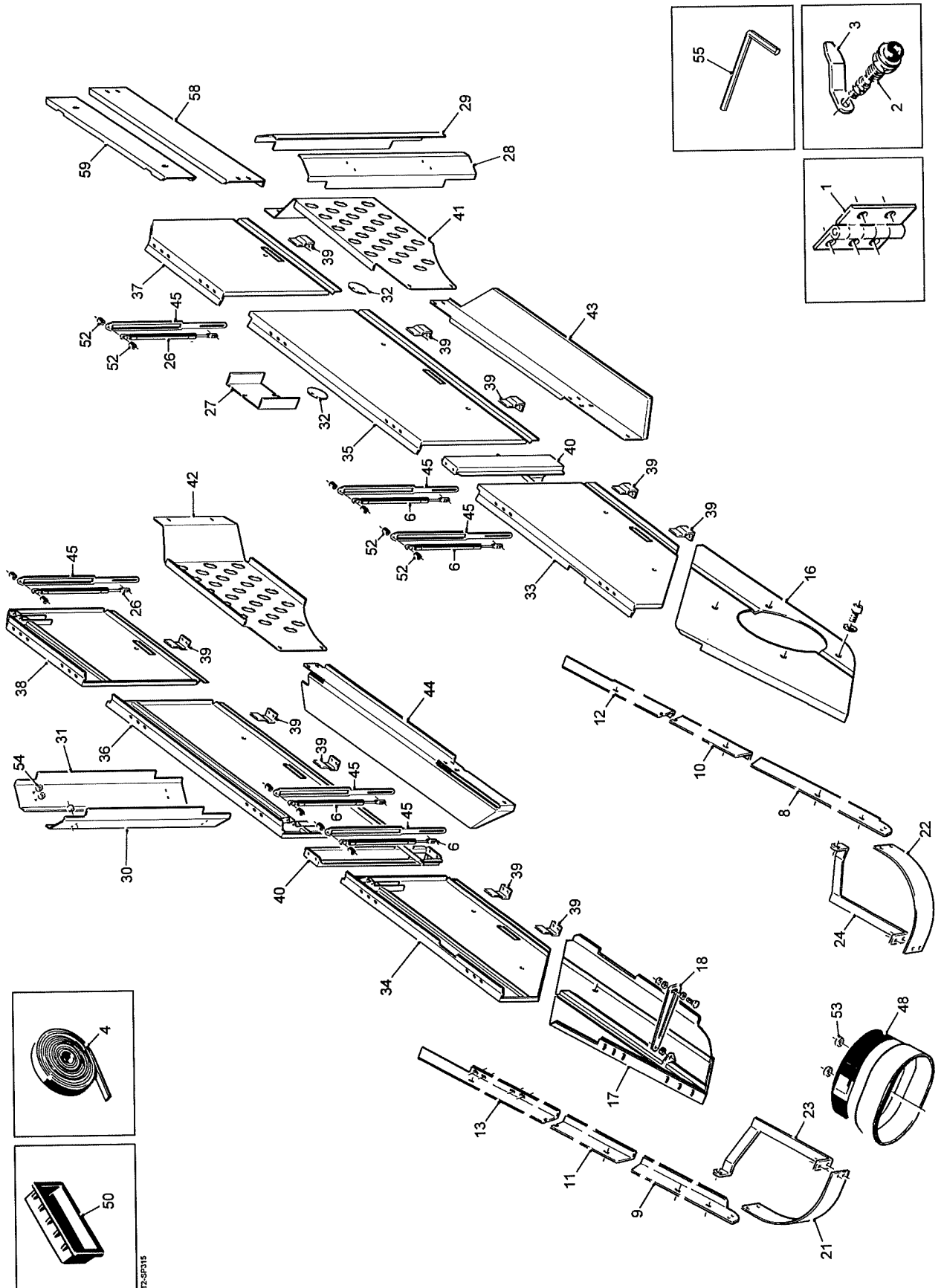
ROTO Axle Assembly**Assy No 64752A**

Item	Part No.	Description	Qty.	Remarks
107				
108				
109				
110	64095P	8 stud Wheel Assy 550/60-R22.5	2	
	70065P	8 Stud Wheel Assy 700/40-R22.5	2	
	64095A	10 Stud Wheel Assy 550/60-R22.5	2	
	70065A	10 Stud Wheel Assy 700/40-R22.5	2	
		Hydraulic Components Consist Of:		
120	11125	3/8"BSP Dowty Seal	2	
121	11336	1/4"BSP x 3/8"BSP M M Adaptor	2	
122	11337	1/4"BSP Dowty Seal	14	
123	11876/8	1/4"BSP Blanking Plug	2	
124				
125				
126	12316	1/4"BSP M M Adaptor	12	
127				
128	60455	1/4"Hose Assembly (1700mm)	2	
129				
130	37199	1/4"BSP M M F Tee	2	
131	46724	1/4"BSP M F Swivel Adaptor	2	
132	41485	1/4"BSP Shut-Off Valve	2	
133				
134	44207	M14x 1/4"BSP M M Adaptor	2	
135	44208	M14 Dowty Seal	2	
136				
137	60596	1/4"Hose Assembly (4650mm)	2	
138				
139	62539	Valve Mounting		
140				
141	71094	1/4"Hose Assembly (8700mm)	2	
142	71095	1/4"Hose Assembly (8350mm)	1	
143	71096	1/4"Hose Assembly (5350mm)	1	
144	71097	1/4"Hose Assembly (7250mm)	2	
145	71098	1/4"Hose Assembly (750mm)	2	
146				
147				
148				
149	RPP500.202000	1/8"BSP Breather	4	



Machines from 2021

Guards Assembly Assy No 64803



3.3a

T2 SPARE PARTS

Machines from 2021

Guards Assembly

Assy No 64803

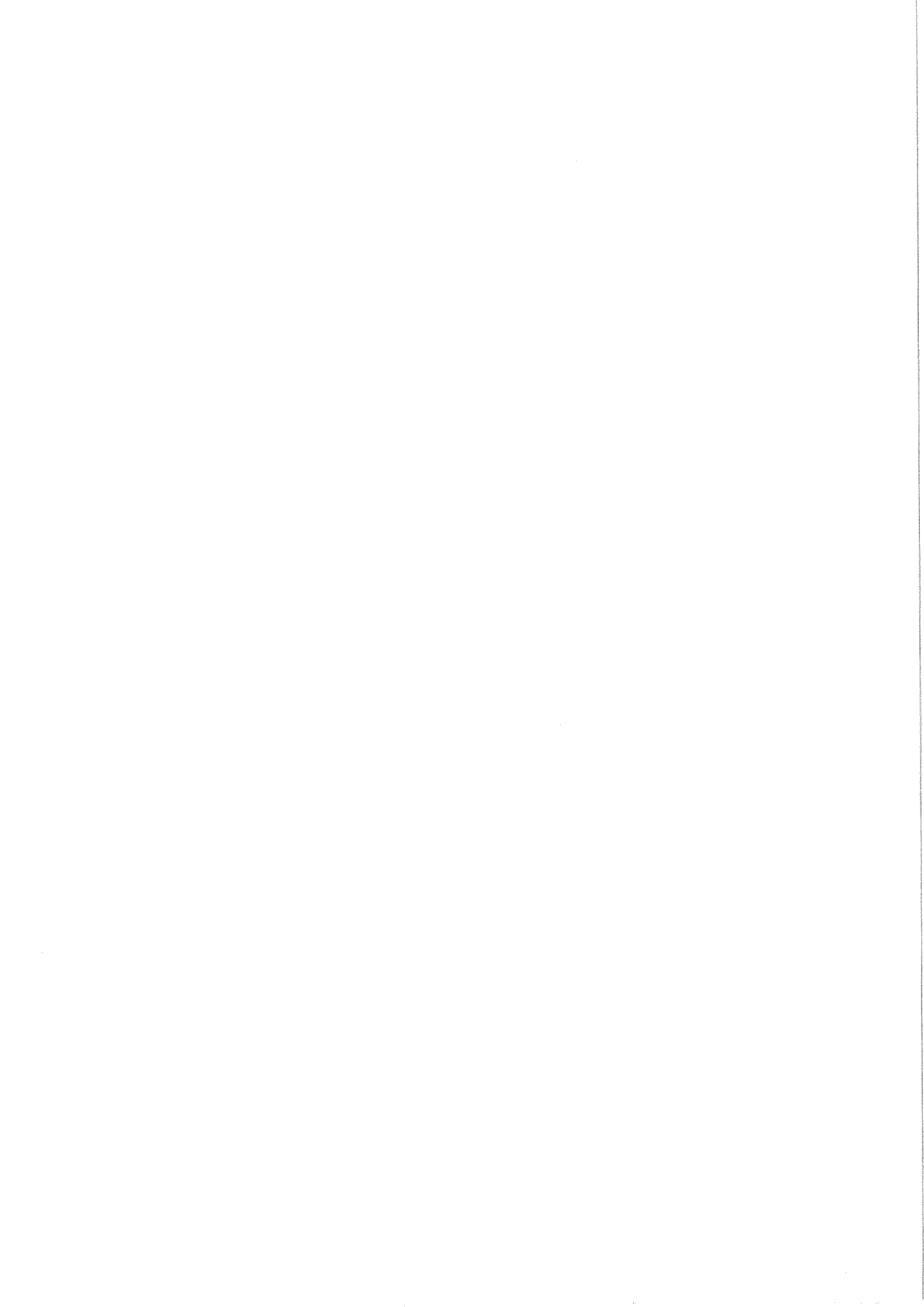
Item	Part No.	Description	Qty.	Remarks
1	57195	Hinge	12	
2	57199	Lock Assembly	11	
3	57219	Guard Latch Arm	11	
4	57221	Foam Tape	1	
5				
6	58111	Gas Strut (550N)	4	
7				
8	59299A	LH Front Pipe Cover	1	
9	59300A	RH Front Pipe Cover	1	
10	59301	LH Centre Pipe Cover	1	
11	59302	RH Centre Pipe Cover	1	
12	59303	LH Rear Pipe Cover	1	
13	59304	RH Rear Pipe Cover	1	
14				
15				
16	59440	Oil Cooler Guard	1	
17	59712	RH Cover Panel	1	
18	59713	Stay	1	
19				
20				
21	62627	RH Pipe Shield	1	
22	62627A	LH Pipe Shield	1	
23	62628	Pipe Shield Brace	1	
24	62628A	Pipe Shield Brace	1	
25				
26	64445	Gas Strut (250N)	2	
27	64787	Axle Panel	1	
28	64798	Front Panel LH	1	
29	64799	Rear Panel LH	1	
30	64800	Front Panel RH	1	
31	64801	Rear Panel RH	1	
32	64802	Blanking Plate	2	
33	64806	Front Guard LH	1	
34	64807	Front Guard RH	1	
35	64808	Middle Guard LH	1	
36	64809	Middle Guard RH	1	
37	64810	Rear Guard LH	1	
38	64811	Rear Guard RH	1	
39	64812	Latch Plate	10	
40	64813	Guard Post	2	
41	64815	Rear Guard Lower LH	1	Proclean to Omega
	64815A	Rear Guard Lower LH	1	Double Omega
42	64816	Rear Guard Lower RH	1	Proclean to Omega
	64816A	Rear Guard Lower RH	1	Double Omega
43	64817	Front Guard Lower LH	1	
44	64818	Front Guard Lower RH	1	
45	64910	Gas Strut Strap	6	
46				
47				
48	44216	Guard Cone	1	
49				
50	RPC658.300685	Door Pocket Pull	6	
51				

T2 SPARE PARTS**3.3b**

Machines from 2021

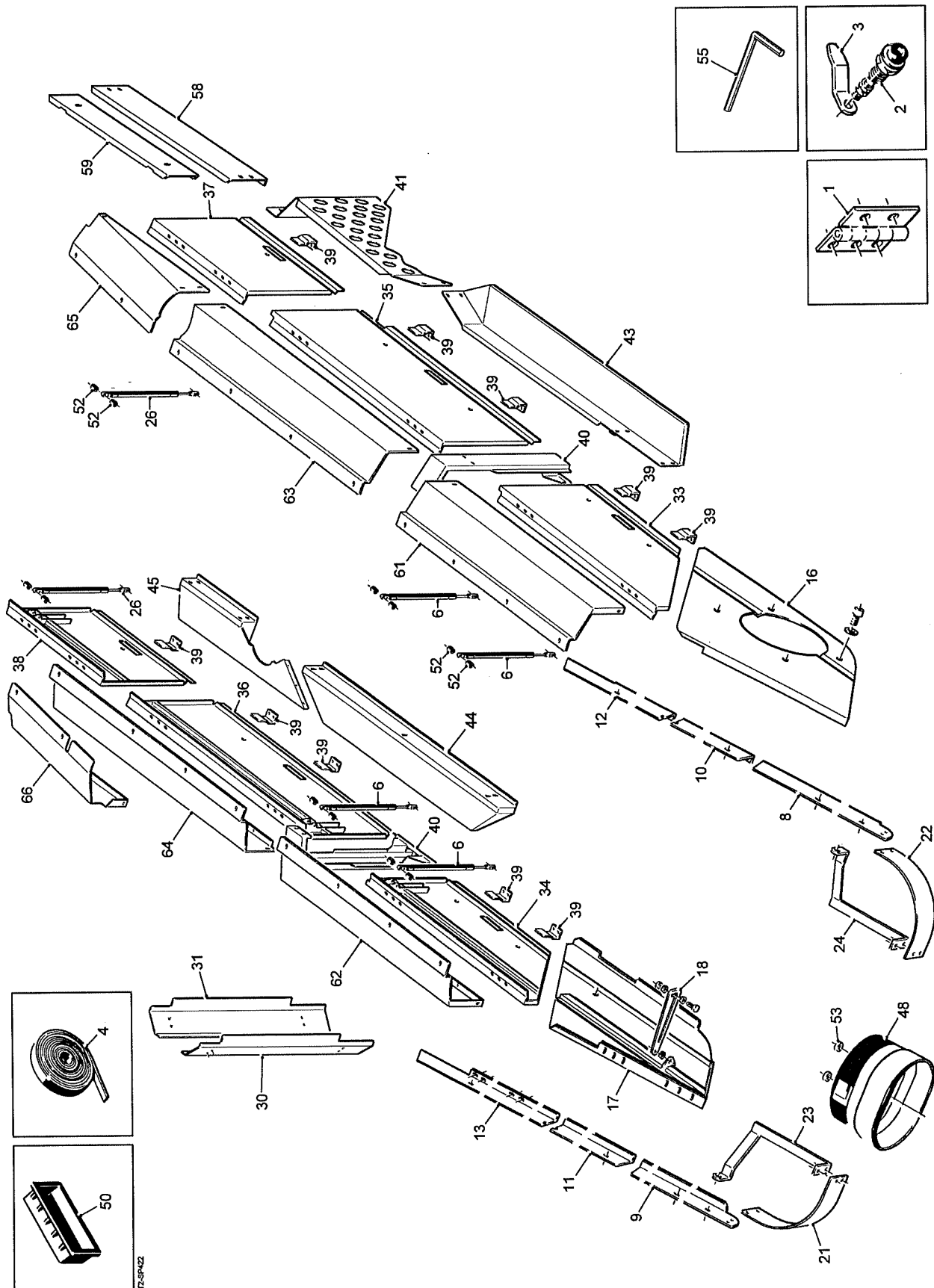
Guards Assembly**Assy No 64803**

Item	Part No.	Description	Qty.	Remarks
52	SS012010/016	Steel Spacer	12	
53	SS025013/010	Steel Spacer	2	
54	SS025009/030	Steel Spacer	8	
55	-	M8 Guard Key	1	
56				
57				
58	64695A	Cross Web Guard	1	1125mm wide elevator
	64695	Cross Web Guard	1	1300mm wide elevator
59	64715	Cross Web Infill Panel	1	1125mm wide elevator
	64716	Cross Web Infill Panel	1	1300mm wide elevator



Machines from Serial No T2-288

Guards Assembly Assy No 64803A



3.3a**T2 SPARE PARTS**

Machines from Serial No T2-288

Guards Assembly

Assy No 64803A

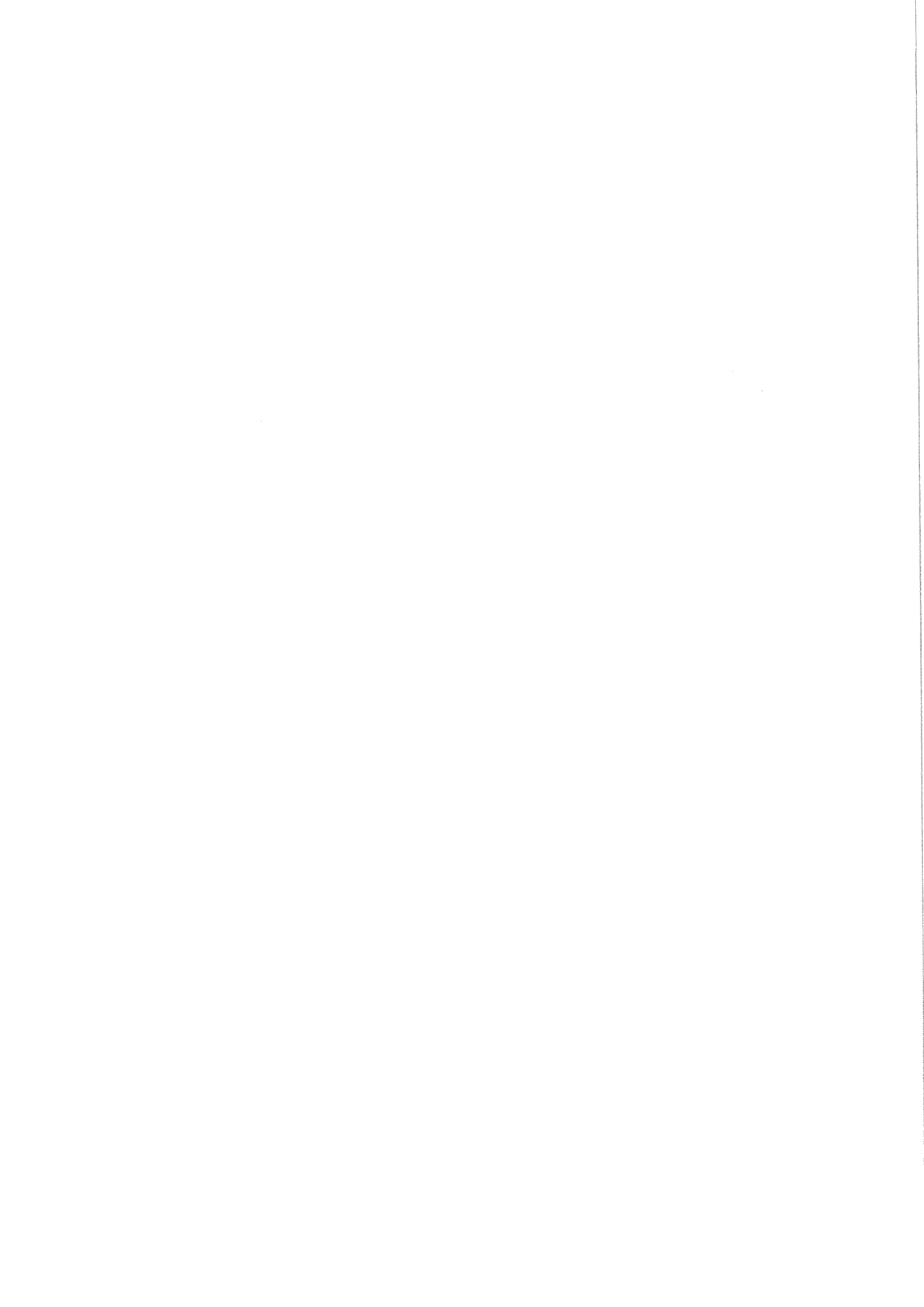
Item	Part No.	Description	Qty.	Remarks
1	57195	Hinge	12	
2	57199	Lock Assembly	11	
3	57219	Guard Latch Arm	11	
4	57221	Foam Tape	1	
5				
6	58111	Gas Strut (550N)	4	
7				
8	59299A	LH Front Pipe Cover	1	
9	59300A	RH Front Pipe Cover	1	
10	59301	LH Centre Pipe Cover	1	
11	59302	RH Centre Pipe Cover	1	
12	59303	LH Rear Pipe Cover	1	
13	59304	RH Rear Pipe Cover	1	
14				
15				
16	59440	Oil Cooler Guard	1	
17	59712	RH Cover Panel	1	
18	59713	Stay	1	
19				
20				
21	62627	RH Pipe Shield	1	
22	62627A	LH Pipe Shield	1	
23	62628	Pipe Shield Brace	1	
24	62628A	Pipe Shield Brace	1	
25				
26	64445	Gas Strut (250N)	2	
27				
28				
29				
30	70308	Front Panel RH	1	
31	70309	Rear Panel RH	1	
32				
33	70317	Front Guard LH	1	
34	70318	Front Guard RH	1	
35	70319	Middle Guard LH	1	
36	70320	Middle Guard RH	1	
37	70321	Rear Guard LH	1	
38	70322	Rear Guard RH	1	
39	70307	Latch Plate	10	
40	70323	Guard Post	2	
41	70327	Rear Guard Lower LH	1	
42				
43	70325	Front Guard Lower LH	1	
44	70326	Front Guard Lower RH	1	
45	70353	Rear Guard Lower RH		
46				
47				
48	44216	Guard Cone	1	
49				
50	RPC658.300685	Door Pocket Pull	6	
51				
52	SS012010/016	Steel Spacer	12	
53	SS025013/010	Steel Spacer	2	
54				
55	-	M8 Guard Key	1	

T2 SPARE PARTS**3.3b**

Machines from Serial No T2-288

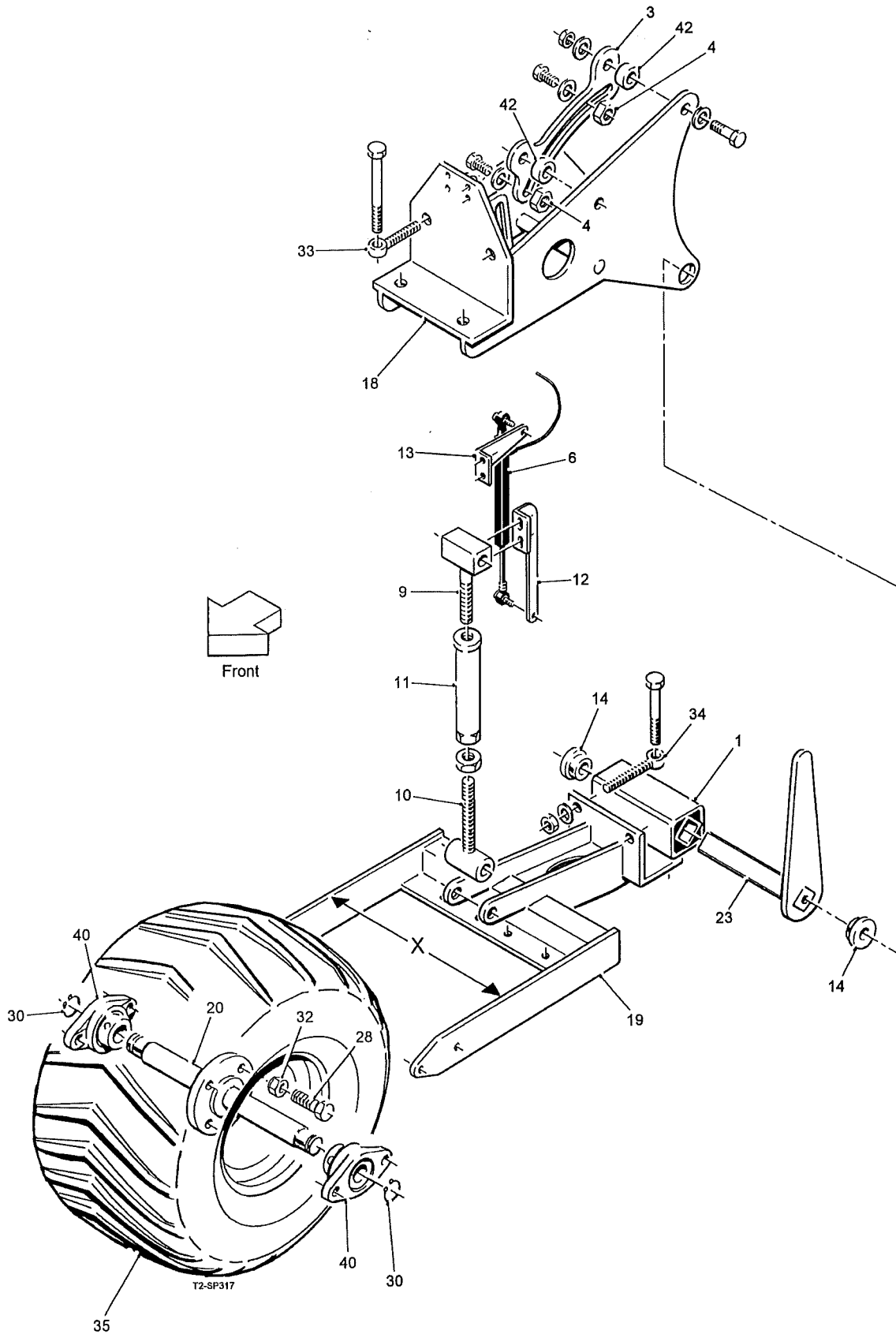
Guards Assembly**Assy No 64803A**

Item	Part No.	Description	Qty.	Remarks
56				
57				
58	64695A	Cross Web Guard	1	1125mm wide elevator
	64695	Cross Web Guard	1	1300mm wide elevator
59	64715	Cross Web Infill Panel	1	1125mm wide elevator
	64716	Cross Web Infill Panel	1	1300mm wide elevator
60				
61	70311	Front Infill Panel LH	1	
62	70312	Front Infill Panel RH	1	
63	70313	Middle Infill Panel LH	1	
64	70314	Middle Infill Panel RH	1	
65	70315	Rear Infill Panel LH	1	
66	70316	Rear Infill Panel LH	1	



Machines from 2021

Rubber Depth Roller Assemblies
Assy No 59003



4.1a

T2 SPARE PARTS

Machines from 2021

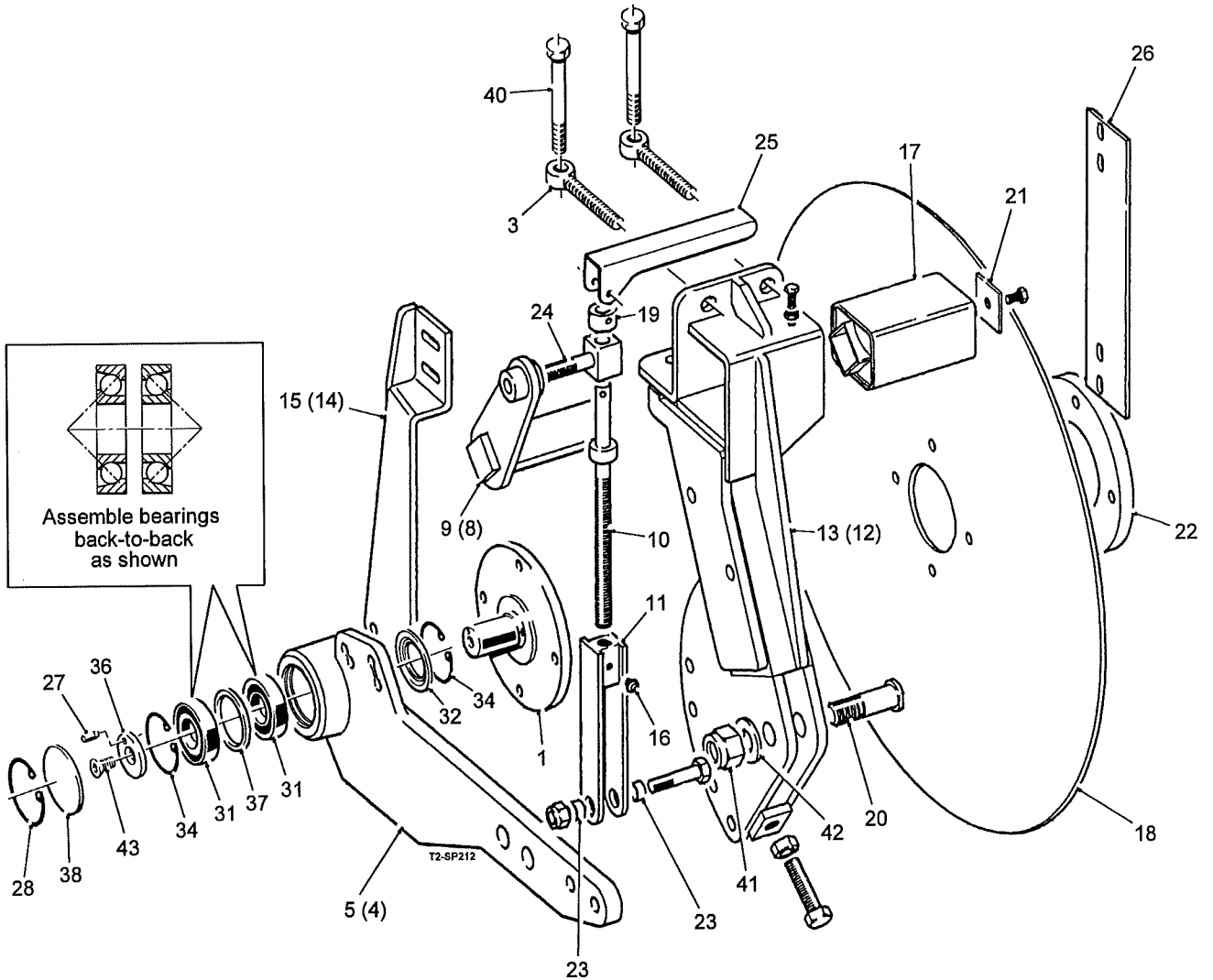
Rubber Depth Roller Assemblies

Assy No 59003

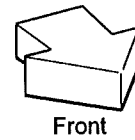
Item	Part No.	Description	Qty.	Remarks
1	42054	Mounting Bush	2	
2				
3	46107	Reaction Quadrant	2	
4	46108	Reaction Stop	4	
5				
6	55122	Sensor	2	
7				
8				
9	56269	Adjuster LH	2	
10	56270	Adjuster RH	2	
11	56271	Adjuster Tube	2	
12	56272	Sensor Bracket	2	
13	56273	Sensor Mounting	2	
14	56274	Top Hat Spacer	4	
15				
16				
17				
18	59250	Mounting	2	
19	59251	Arm (wide)	2	X = 420mm
	59527	Arm (narrow)	2	X = 323mm
20	59252	Depth Wheel Shaft (wide)	2	
	59528	Depth Wheel Shaft (narrow)	2	
21				
22				
23	64707	Tensioner Arm	2	
24				
25				
26				
27				
28	22108014/045	M14x45 Set Screw	8	
29				
30	PS843	Ø25 External Circlip	4	
31				
32	RPC655.309696	M14 Wheel Nut	8	
33	RPF120.116095	M16x95 Eyebolt	4	
34	RPF120.116115	M16x115 Eyebolt	4	
35	RPGMRPB93.08125	22x11-8 Wheel Complete	2	
36				
37				
38				
39				
40	SFT25A	Bearing	4	
41				
42	SS040018/016	Steel Spacer	4	

Machines from 2021

Disc Coulter Assemblies



Drawn as RH assembly



4.4a

T2 SPARE PARTS

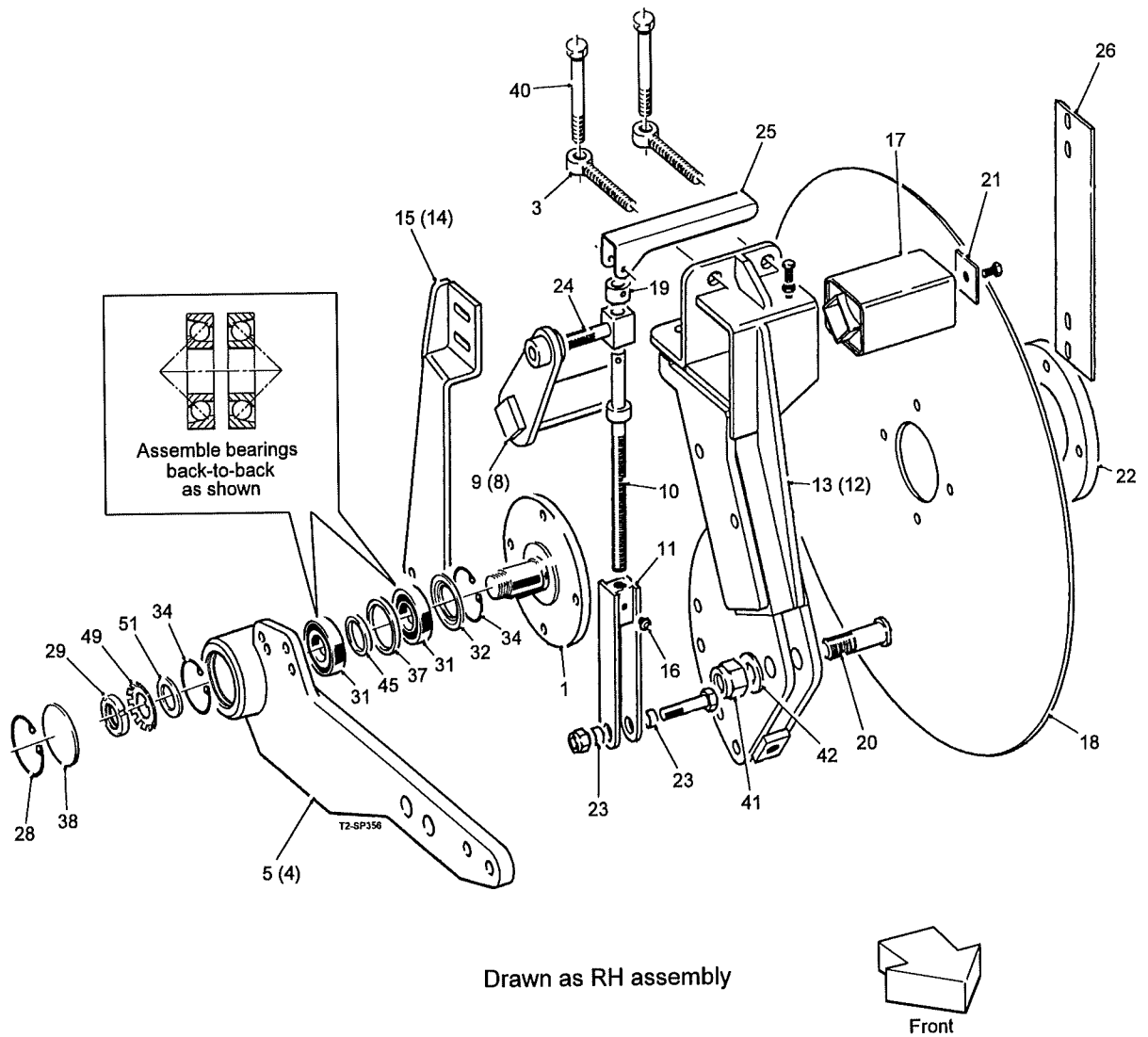
Machines from 2021

Disc Coulter Assemblies

Item	Part No.	Description	Qty.	Remarks
1	64210	Disc Spindle	1	
2				
3	RPF120.116095	Eyebolt	2	
4	64187	LH Disc Arm (not shown)	1	
5	64188	RH Disc Arm	1	
6				
7				
8	RPA610.301509	LH Disc Torsion Arm (not shown)	1	
9	RPA610.302189	RH Disc Torsion Arm	1	
10	RPA610.301512	Disc Adjuster Spindle	1	
11	RPA610.301513	Block Adjuster	1	
12	RPA610.301530	LH Disc Mounting Arm (not shown)	1	
13	RPA610.301531	RH Disc Mounting Arm	1	
14	RPA610.301534	Scraper Mounting LH (not shown)	1	
15	RPA610.301535	Scraper Mounting RH	1	
16	RPC648.081250	M8 Straight Grease Nipple	2	
17	RPGMRP084.00001	Rubber Torsion Unit	1	
18	RPM120.300251	Plain Disc (Ø740mm)	1	Option
	RPGM089.00018	Plain Disc (Ø645mm)	1	Option
	RPGMRP089.01829	Serrated Disc	1	Option
19	RPM114.301502	Collar	1	
20	RPM146.303752	Pivot Pin	1	
21	RPM152.303434	Retainer	1	
22	RPM152.308652	Retainer	1	
23	RPM172.301506	Sleeve	2	
24	RPM178.301500	Spigot	1	
25	RPM226.301510	Handle	1	
26	RPW240.303093	Disc Scraper	1	
27	RPF222.060016	Pin	1	
28	46564	Ø90 Internal Circlip	1	
29				
30				
31	72092RS	Bearing	2	
32	6209ZJV	Nilos Ring	1	
33				
34	W0554	Ø85 Internal Circlip	2	
35				
36	64211	Washer	1	
37	64189	Bearing Spacer	1	
38	64190	Dust Cap	1	
39				
40	22012016/150	M16x150 Bolt	2	
41	22041024	M24 Nyloc Nut	1	
42	22046024C	M24 Flat Washer	1	
43	22016012/030	M12x30 CSK Setscrew	1	

Machines from Serial No T2-265

Disc Coultter Assemblies Assy No RPS922 & RPS923



4.4a

T2 SPARE PARTS

Machines from Serial No T2-265

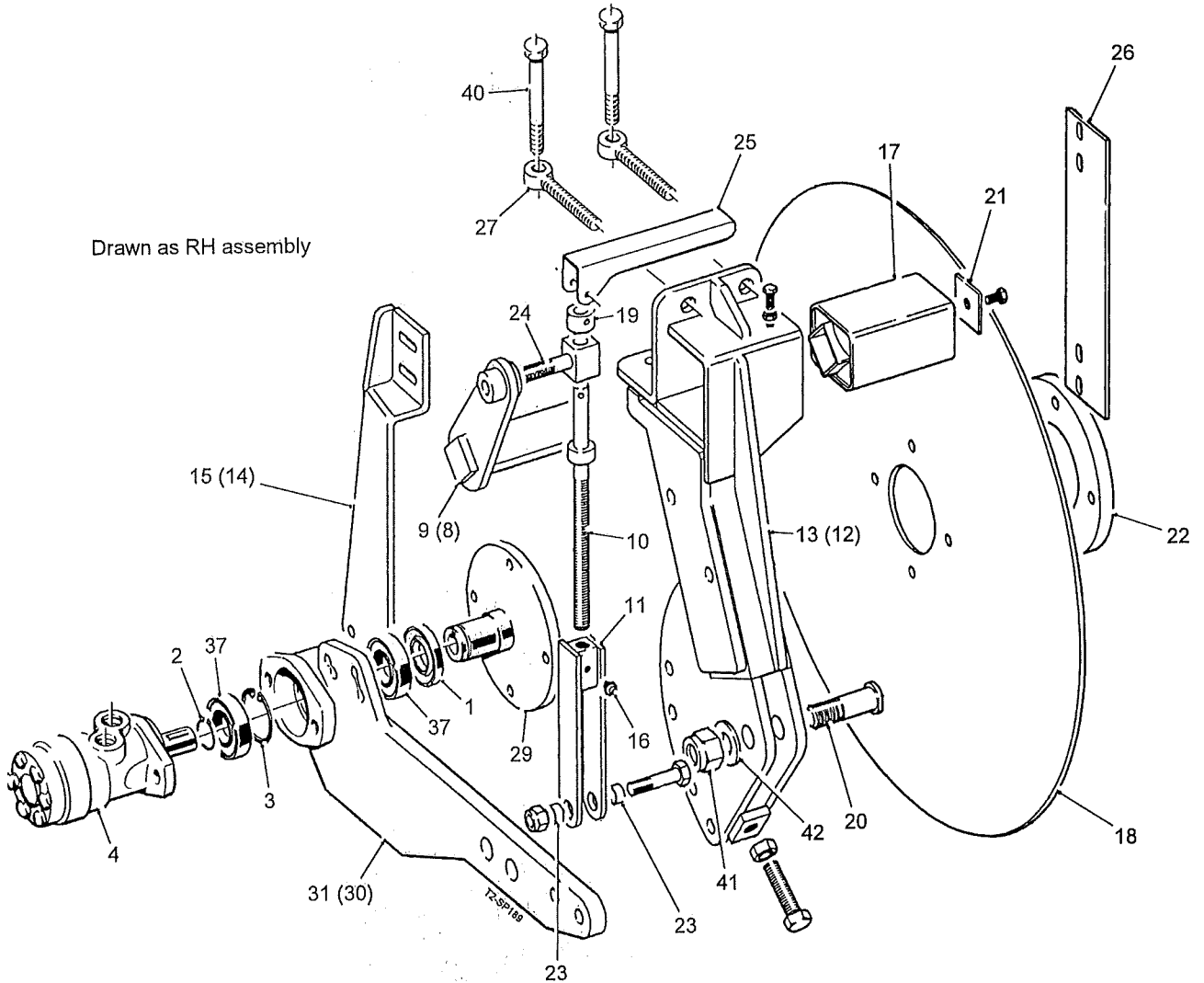
Disc Coulter Assemblies

Assy No RPS922 & RPS923

Item	Part No.	Description	Qty.	Remarks
1	64977	Disc Spindle	1	
2				
3	RPF120.116095	Eyebolt	2	
4	64975	LH Disc Arm (not shown)	1	
5	64976	RH Disc Arm	1	
6				
7				
8	RPA610.301509	LH Disc Torsion Arm (not shown)	1	
9	RPA610.302189	RH Disc Torsion Arm	1	
10	RPA610.301512	Disc Adjuster Spindle	1	
11	RPA610.301513	Block Adjuster	1	
12	RPA610.301530	LH Disc Mounting Arm (not shown)	1	
13	RPA610.301531	RH Disc Mounting Arm	1	
14	RPA610.301534	Scraper Mounting LH (not shown)	1	
15	RPA610.301535	Scraper Mounting RH	1	
16	RPC648.081250	M8 Straight Grease Nipple	2	
17	RPGMRP084.00001	Rubber Torsion Unit	1	
18	RPM120.300251	Plain Disc (Ø740mm)	1	Option
	RPGM089.00018	Plain Disc (Ø645mm)	1	Option
	RPGMRP089.01829	Serrated Disc	1	Option
19	RPM114.301502	Collar	1	
20	RPM146.303752	Pivot Pin	1	
21	RPM152.303434	Retainer	1	
22	RPM152.308652	Retainer	1	
23	RPM172.301506	Sleeve	2	
24	RPM178.301500	Spigot	1	
25	RPM226.301510	Handle	1	
26	RPW240.303093	Disc Scraper	1	
27				
28	46564	Ø90 Internal Circlip	1	
29	45038	M40 Locknut	1	
30				
31	72092RS	Bearing	2	
32	6209ZJV	Nilos Ring	1	
33				
34	W0554	Ø85 Internal Circlip	2	
35				
36				
37	64189	Bearing Spacer Outer	1	
38	64190	Dust Cap	1	
39				
40	22012016/150	M16x150 Bolt	2	
41	22041024	M24 Nyloc Nut	1	
42	22046024C	M24 Flat Washer	1	
43				
44				
45	64978	Bearing Spacer Inner	1	
46				
47				
48				
49	RPF284.140000	Lock Washer	1	
50				
51	SS060041/003	Steel Spacer	1	

Machines from 2021

Powered Disc Coulter Assemblies

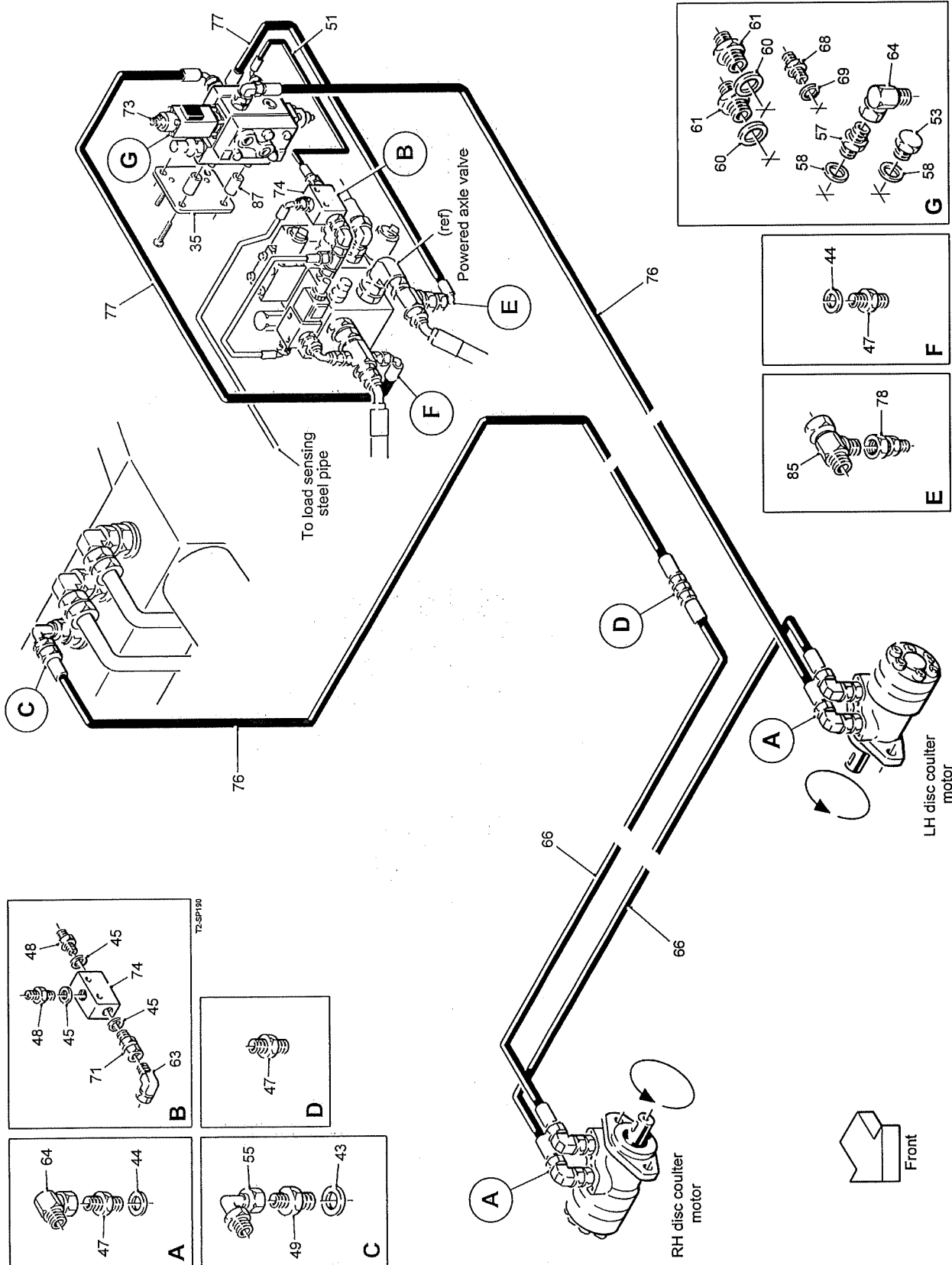


4.5a

T2 SPARE PARTS

Machines from 2021

Powered Disc Coultter Assemblies



T2 SPARE PARTS

4.5b

Machines from 2021

Powered Disc Coulter Assemblies

Item	Part No.	Description	Qty.	Remarks
1	46546	Oil Seal	1	
2	46563	Ø55 External Circlip	1	
3	46564	Ø90 Internal Circlip	1	
4	46855	Hydraulic Motor	1	
5				
6				
7				
8	RPA610.301509	LH Disc Torsion Arm (not shown)	1	
9	RPA610.302189	RH Disc Torsion Arm	1	
10	RPA610.301512	Disc Adjuster Spindle	1	
11	RPA610.301513	Block Adjuster	1	
12	RPA610.301530	LH Disc Mounting Arm (not shown)	1	
13	RPA610.301531	RH Disc Mounting Arm	1	
14	RPA610.301534	Scraper Mounting LH (not shown)	1	
15	RPA610.301535	Scraper Mounting RH	1	
16	RPC648.081250	M8 Straight Grease Nipple	2	
17	RPGMRP084.00001	Rubber Torsion Unit	1	
18	RPM120.300251	Plain Disc (Ø740mm)	1	Option
	RPGM089.00018	Plain Disc (Ø645mm)	1	Option
	RPGMRP089.01829	Serrated Disc	1	Option
19	RPM114.301502	Collar	1	
20	RPM146.303752	Pivot Pin	1	
21	RPM152.303434	Retainer	1	
22	RPM152.308652	Retainer	1	
23	RPM172.301506	Sleeve	2	
24	RPM178.301500	Spigot	1	
25	RPM226.301510	Handle	1	
26	RPW240.303093	Disc Scraper	1	
27	RPF120.116095	Eyebolt	2	
28				
29	RPS1123	Disc Spindle	1	
30	RPS1124	LH Disc Arm (not shown)	1	
31	RPS1125	RH Disc Arm	1	
32				
33				
34				
35	64181	Adaptor Plate	1	
36				
37	6011RS	Bearing	2	
38				
39				
40	22012016/150	M16x150 Bolt	2	
41	22041024	M24 Nyloc Nut	1	
42	22046024C	M24 Flat Washer	1	
		Hydraulic Components Consist Of:		
43	11122	1" BSP Dowty Seal	1	
44	11124	1/2" BSP Dowty Seal	5	
45	11337	1/4" BSP Dowty Seal	3	
46				
47	12315	1/2" BSP M M Adaptor	6	
48	12316	1/4" BSP M M Adaptor	2	
49	12521	1/2" BSPx1" BSP M M Adaptor	1	

Machines from 2021

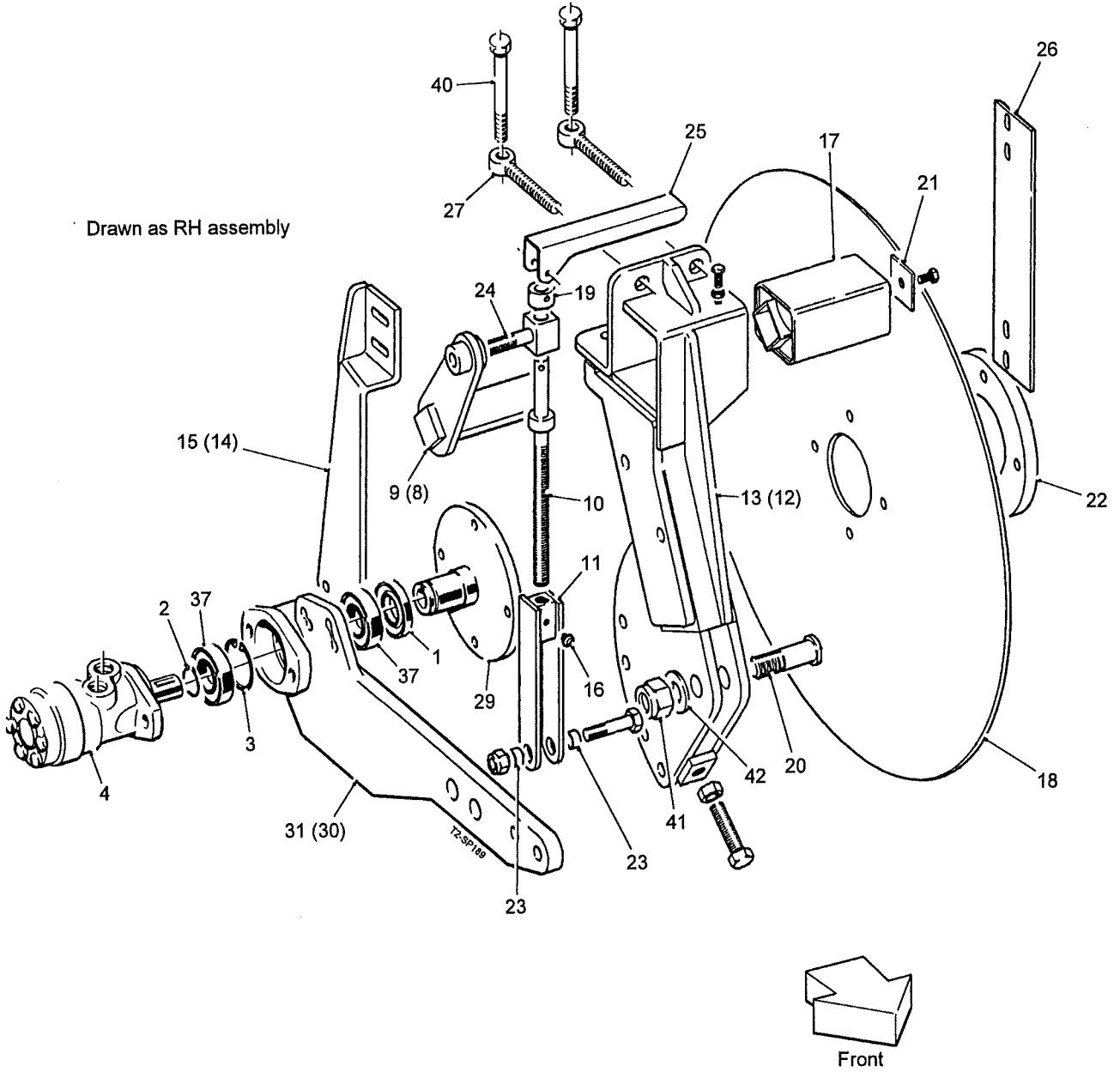
Powered Disc Coulter Assemblies

Item	Part No.	Description	Qty.	Remarks
50				
51	13187	1/4"Hose Assembly (700mm)	1	
52				
53	16454	M18 Blanking Plug	1	
54				
55	26086	1/2"BSP MF Swept 90°Adaptor	1	
56				
57	27459	M18x1/2"BSP M M Adaptor	1	
58	27461	M18 Dowty Seal	2	
59				
60	31167	M22 Dowty Seal	2	
61	31168	M22x1/2"BSP M M Adaptor	2	
62				
63	32474	1/4"BSP MF Compact 90°Adaptor	1	
64	32475	1/2"BSP MF Compact 90°Adaptor	5	
65				
66	43210	1/2"Hose Assembly (3100mm)	2	
67				
68	44207	M14x1/4"BSP M M Adaptor	1	
69	44208	M14 Dowty Seal	1	
70				
71	46724	1/4"BSP Mx1/4"BSPF Swivel Adaptor	1	
72				
73	59643	Control Valve	1	
74	59644	1/4"BSP Shuttle Valve	1	
75				
76	60395	1/2"Hose Assembly (5200mm)	2	
77	60438	1/2"Hose Assembly (600mm)	2	
78	60544	1/2"BSP Mx1"BSP F Swivel Adaptor	1	
79				
80				
81				
82				
83				
84				
85	RPH724.111616	1"BSP F M M Tee	1	
86				
87	SS025011/050	Steel Spacer	4	

Machines from Serial No T2-288

Powered Disc Coultter Assemblies

Assy No 59749



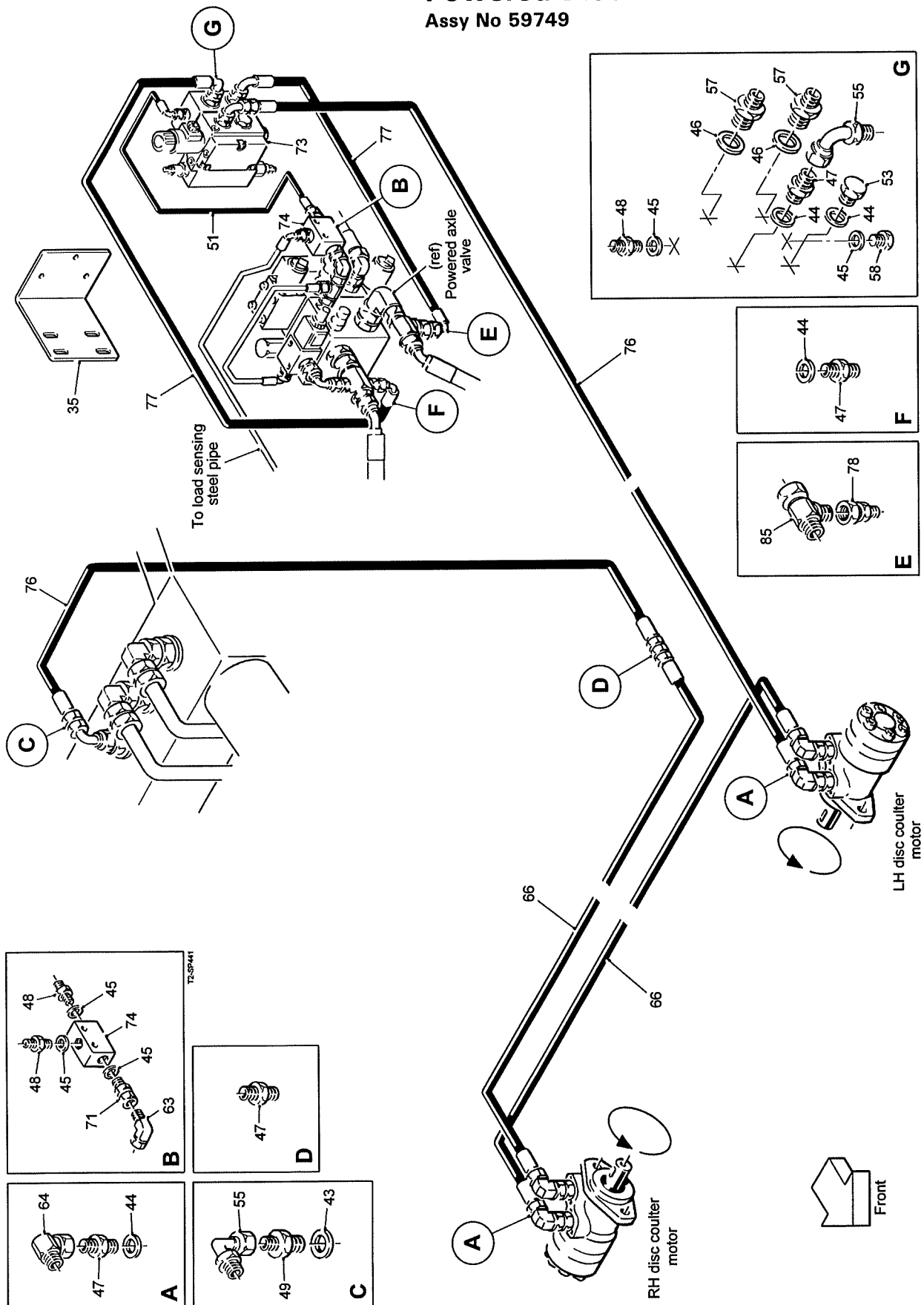
4.5a

T2 SPARE PARTS

Machines from Serial No T2-288

Powered Disc Coupler Assemblies

Assy No 59749



T2 SPARE PARTS**4.5b**

Machines from Serial No T2-288

Powered Disc Coulter Assemblies**Assy No 59749**

Item	Part No.	Description	Qty.	Remarks
1	46546	Oil Seal	1	
2	46563	Ø55 External Circlip	1	
3	46564	Ø90 Internal Circlip	1	
4	46855	Hydraulic Motor	1	
5				
6				
7				
8	RPA610.301509	LH Disc Torsion Arm (not shown)	1	
9	RPA610.302189	RH Disc Torsion Arm	1	
10	RPA610.301512	Disc Adjuster Spindle	1	
11	RPA610.301513	Block Adjuster	1	
12	RPA610.301530	LH Disc Mounting Arm (not shown)	1	
13	RPA610.301531	RH Disc Mounting Arm	1	
14	RPA610.301534	Scraper Mounting LH (not shown)	1	
15	RPA610.301535	Scraper Mounting RH	1	
16	RPC648.081250	M8 Straight Grease Nipple	2	
17	RPGMRP084.00001	Rubber Torsion Unit	1	
18	RPM120.300251	Plain Disc (Ø740mm)	1	Option
	RPGM089.00018	Plain Disc (Ø645mm)	1	Option
	RPGMRP089.01829	Serrated Disc	1	Option
19	RPM114.301502	Collar	1	
20	RPM146.303752	Pivot Pin	1	
21	RPM152.303434	Retainer	1	
22	RPM152.308652	Retainer	1	
23	RPM172.301506	Sleeve	2	
24	RPM178.301500	Spigot	1	
25	RPM226.301510	Handle	1	
26	RPW240.303093	Disc Scraper	1	
27	RPF120.116095	Eyebolt	2	
28				
29	RPS1123	Disc Spindle	1	
30	RPS1124	LH Disc Arm (not shown)	1	
31	RPS1125	RH Disc Arm	1	
32				
33				
34				
35	70329	Adaptor Plate	1	
36				
37	6011RS	Bearing	2	
38				
39				
40	22012016/150	M16x150 Bolt	2	
41	22041024	M24 Nyloc Nut	1	
42	22046024C	M24 Flat Washer	1	
		Hydraulic Components Consist Of:		
43	11122	1"BSP Dowty Seal	1	
44	11124	1/2"BSP Dowty Seal	6	
45	11337	1/4"BSP Dowty Seal	5	
46	11123	3/4"BSP Dowty Seal	2	
47	12315	1/2"BSP M M Adaptor	6	
48	12316	1/4"BSP M M Adaptor	3	
49	12521	1/2"BSPx1"BSP M M Adaptor	1	

4.5c**T2 SPARE PARTS**

Machines from Serial No T2-288

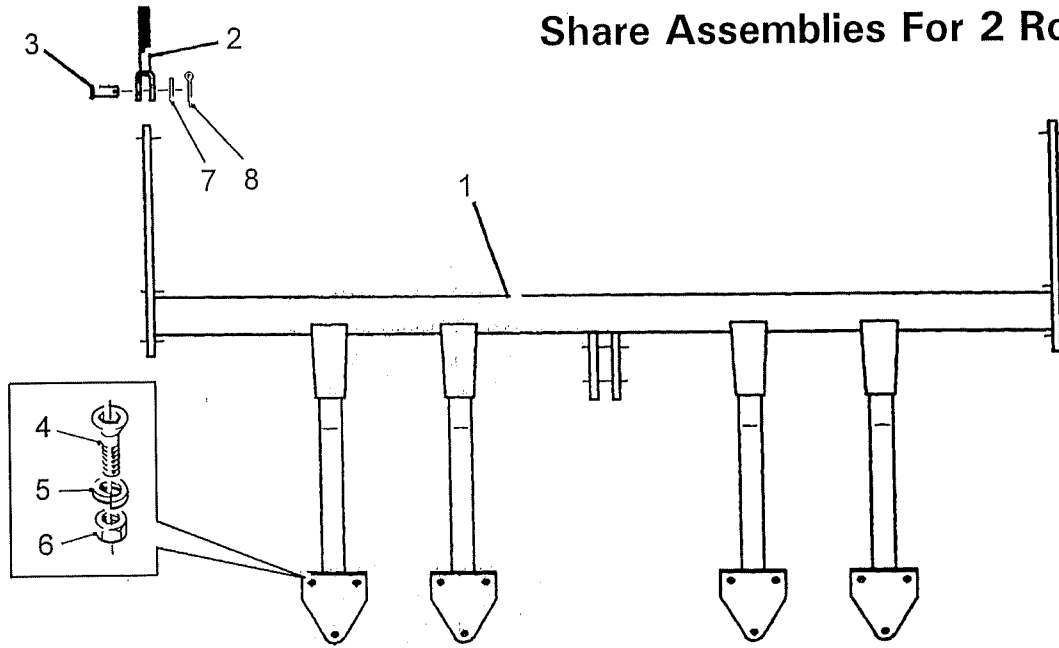
Powered Disc Coulter Assemblies

Assy No 59749

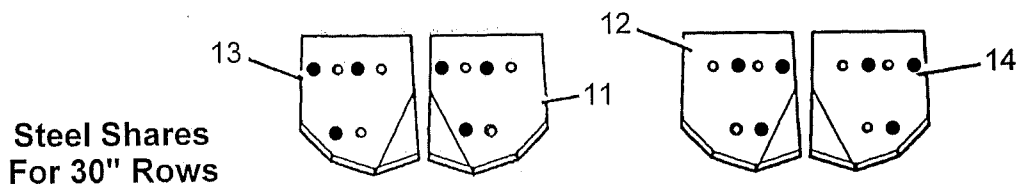
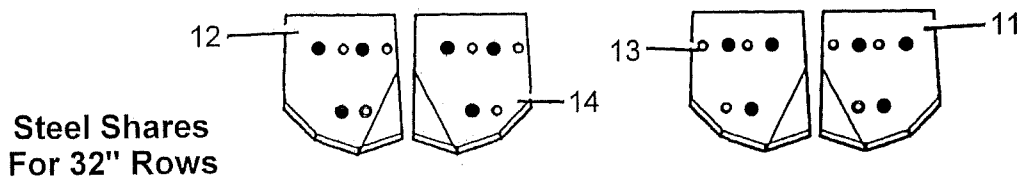
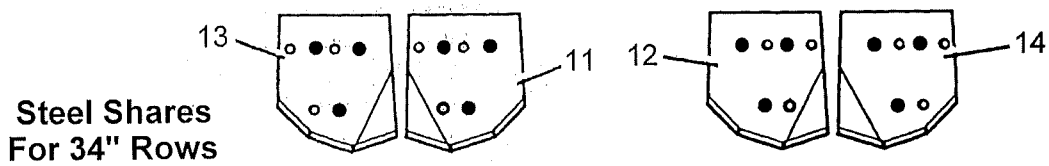
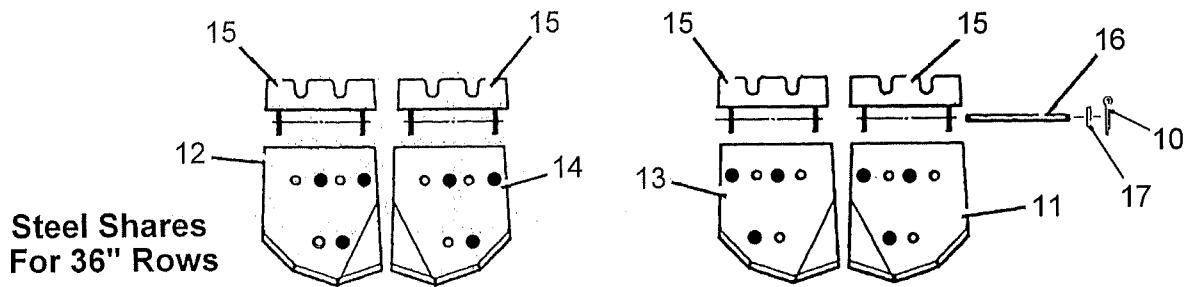
Item	Part No.	Description	Qty.	Remarks
50				
51	13187	1/4"Hose Assembly (700mm)	1	
52				
53	24383	1/2"BSP Blanking Plug	1	
54				
55	26086	1/2"BSP MF Swept 90°Adaptor	2	
56				
57	11295	1/2"BSP x 3/4"BSP M M Adaptor	2	
58	11876/8	1/4"BSP Blanking Plug	1	
59				
60				
61				
62				
63	32474	1/4"BSP MF Compact 90°Adaptor	1	
64	32475	1/2"BSP MF Compact 90°Adaptor	4	
65				
66	43210	1/2"Hose Assembly (3100mm)	2	
67				
68				
69				
70				
71	46724	1/4"BSP Mx1/4"BSPF Swivel Adaptor	1	
72				
73	59643W	Control Valve	1	
74	59644	1/4"BSP Shuttle Valve	1	
75				
76	60395	1/2"Hose Assembly (5200mm)	2	
77	60438	1/2"Hose Assembly (600mm)	2	
78	60544	1/2"BSP Mx1"BSP F Swivel Adaptor	1	
79				
80				
81				
82				
83				
84				
85	RPH724.111616	1"BSP F M M Tee	1	

Machines from 2021

Share Assemblies For 2 Row Work



T2-SP023



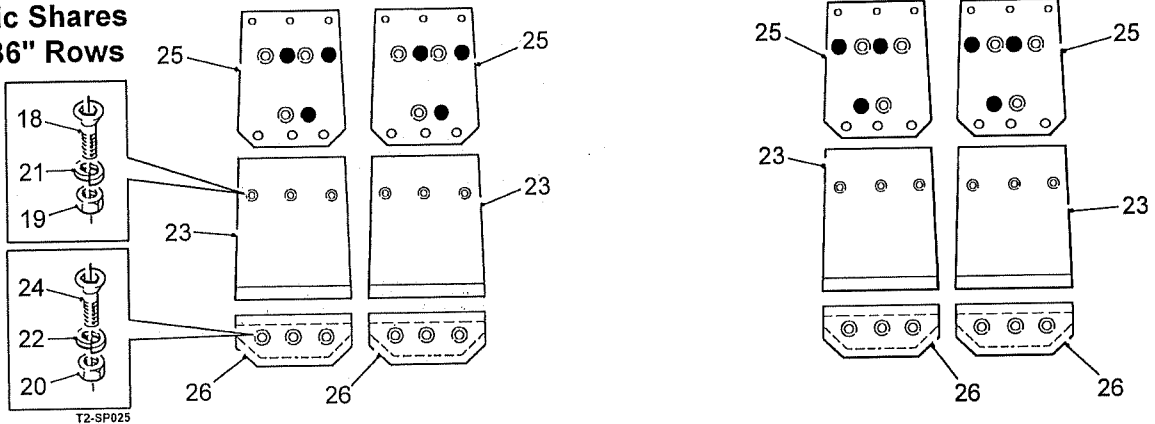
4.6a

T2 SPARE PARTS

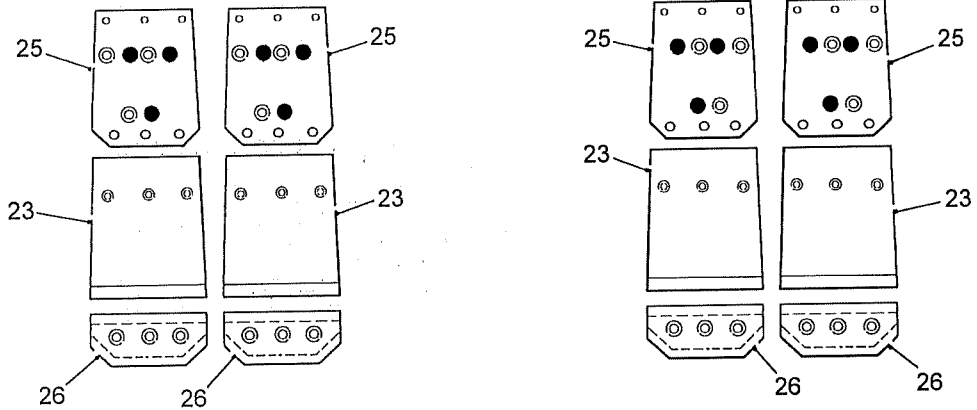
Machines from 2021

Share Assemblies For 2 Row Work

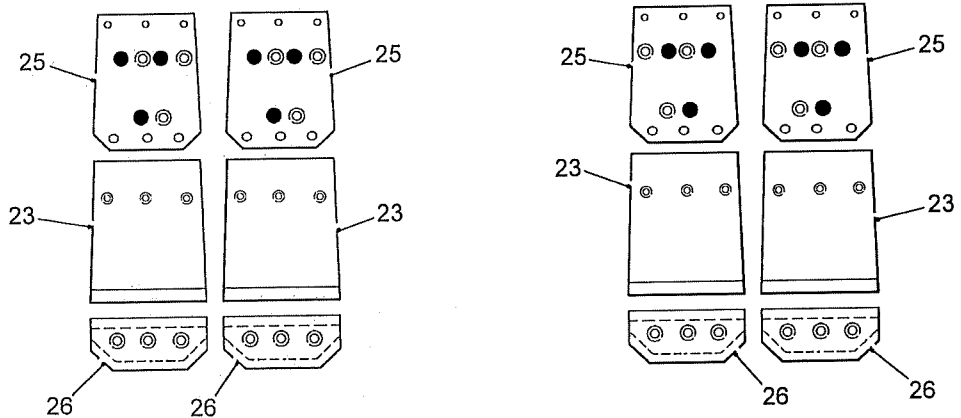
Plastic Shares For 36" Rows



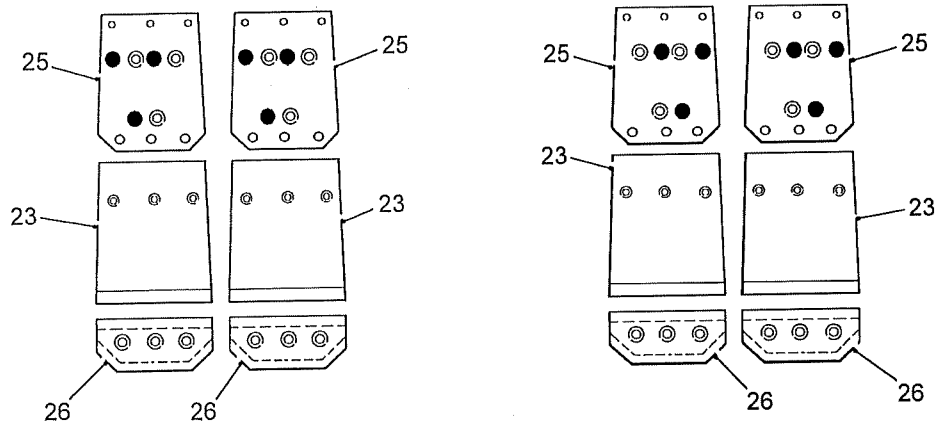
Plastic Shares For 34" Rows



Plastic Shares For 32" Rows



Plastic Shares For 30" Rows



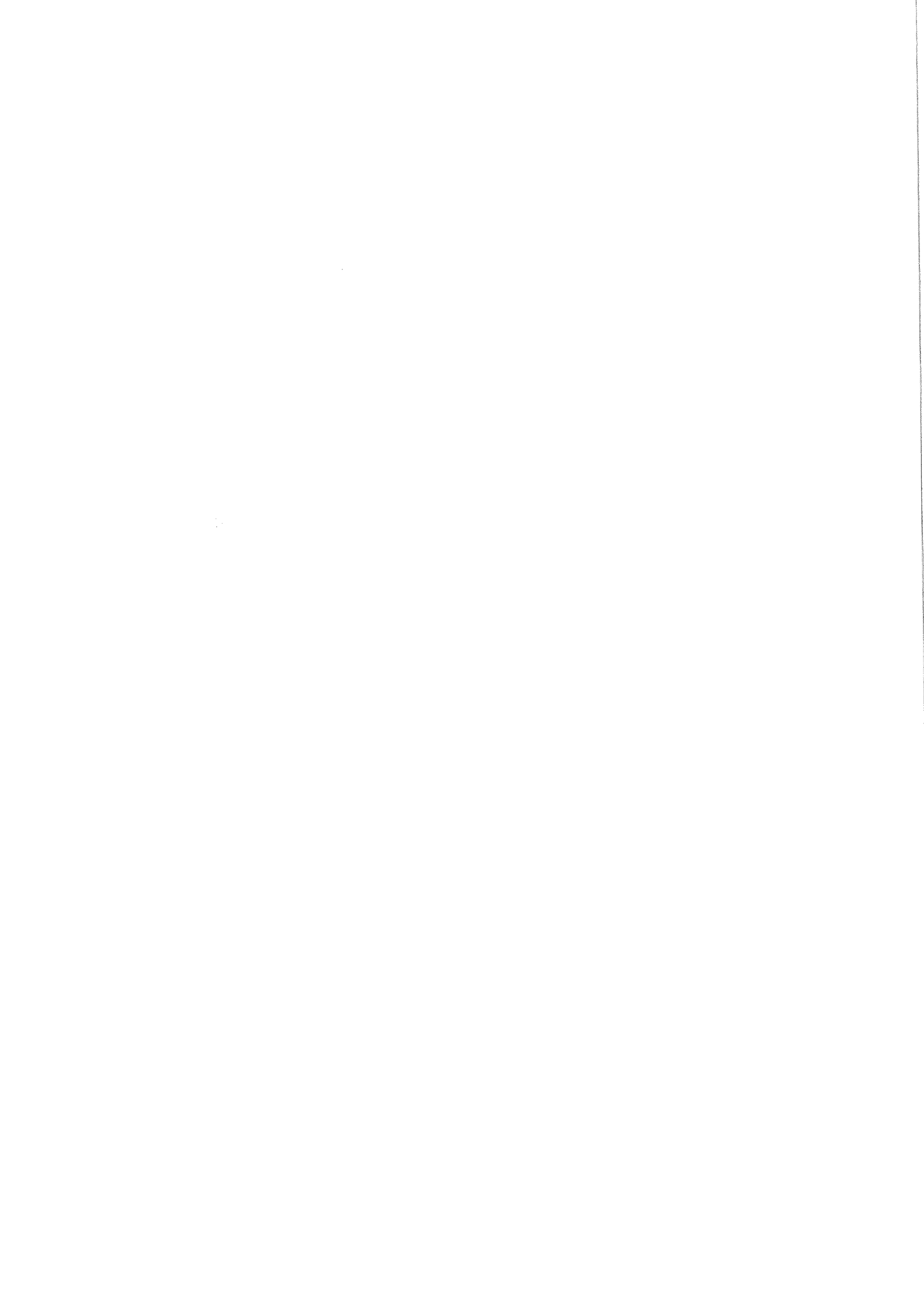
T2 SPARE PARTS

4.6b

Machines from 2021

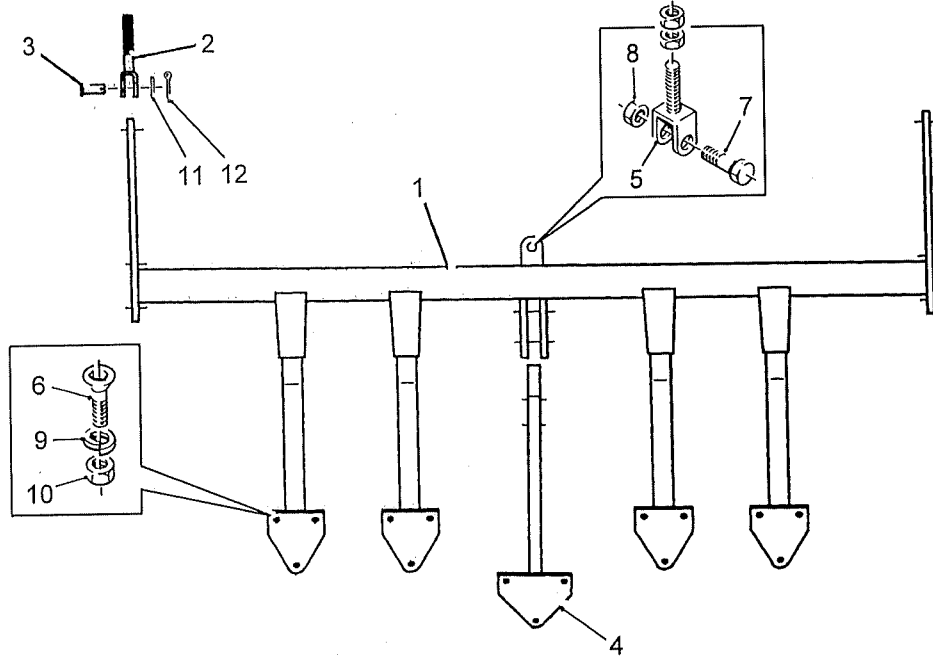
Shares Assemblies For 2 Row Work

Item	Part No.	Description	Qty.	Remarks
1	RPA610.308517	Share Bar	1	
2	RPGM100.03729	Adjuster Clevis	2	
3	RPM146.304702	Retaining Pin	2	
4	22016012/030	M12x30 CSK Socket Head Screw	12	Steel shares only
	22016012/040	M12x40 CSK Socket Head Screw	12	Plastic shares only
5	22052012	M12 Spring Washer	12	
6	22029012	M12 Full Nut	12	
7	22046020C	M20 Flat Washer	2	
8	22078005/040	Ø5x40 Split Pin	2	
9				
		Steel Shares Consist Of:		
10	22078004/022	Ø4x22 Split Pin	8	
11	RPA610.300671	Share Blade	1	
12	RPA610.300672	Share Blade	1	
13	RPA610.300692	Share Blade	1	
14	RPA610.300693	Share Blade	1	
15	RPA610.310448	Stone Flap	4	
16	RPM146.300673	Pivot Pin	4	
17	22046012C	M12 Flat Washer	8	
		Plastic Shares Consist Of:		
18	22016008/040	M8x40 CSK Socket Head Screw	12	
19	22029008	M8 Full Nut	12	
20	22029012	M12 Full Nut	24	
21	22052008	M8 Spring Washer	12	
22	22052012	M12 Spring Washer	24	
23	RPC730.308943	Plastic Share Blade	4	
24	22016012/040	M12x40 CSK Socket Head Screw	24	
25	RPM226.308941	Steel Profile	4	
26	RPW242.308942	Share Tip	4	
27				

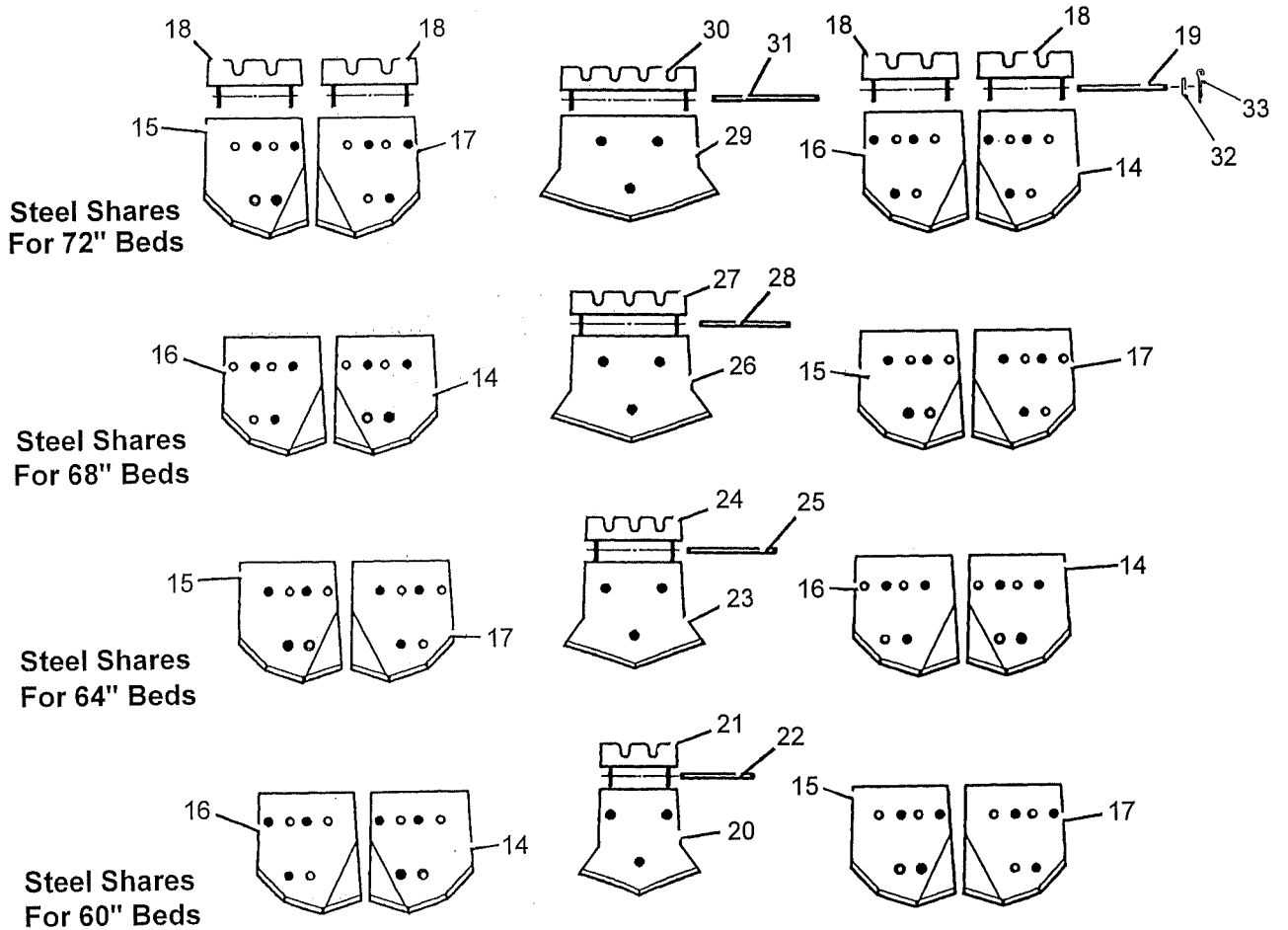


Machines from 2021

Share Assemblies For Bed Work



T2-SP024



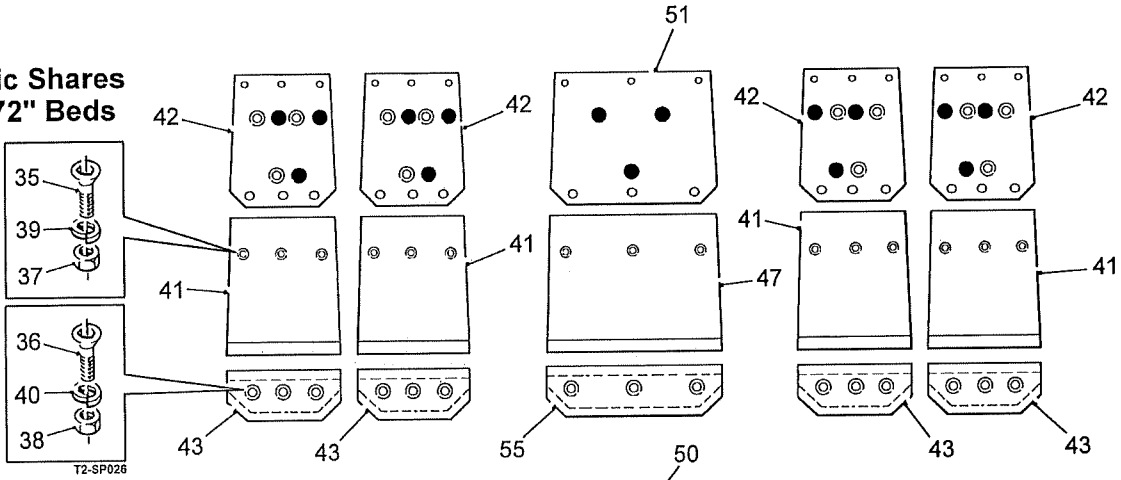
4.7a

T2 SPARE PARTS

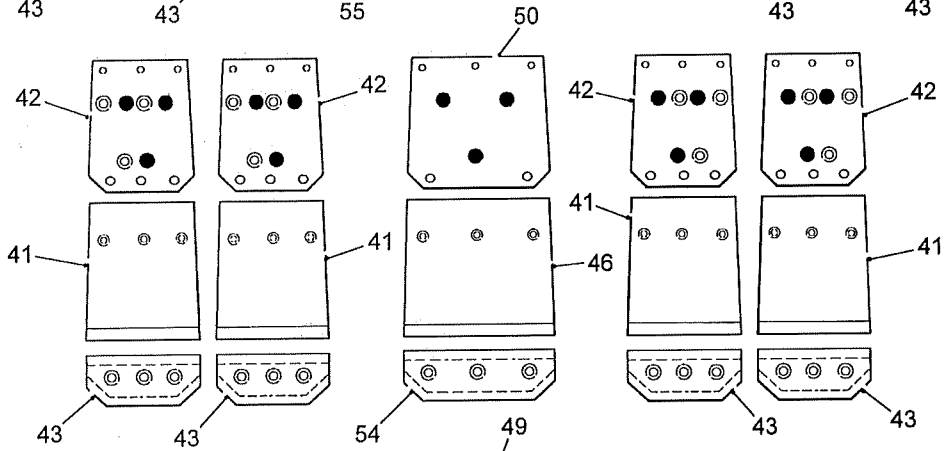
Machines from 2021

Share Assemblies For Bed Work

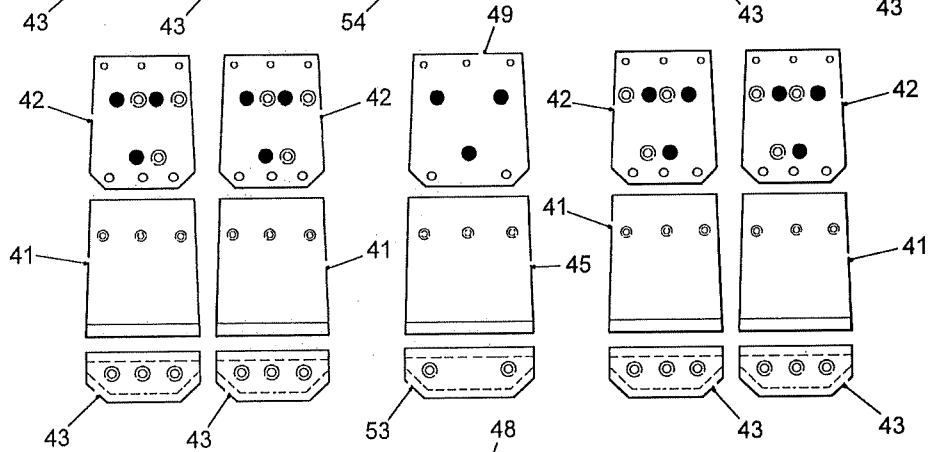
Plastic Shares For 72" Beds



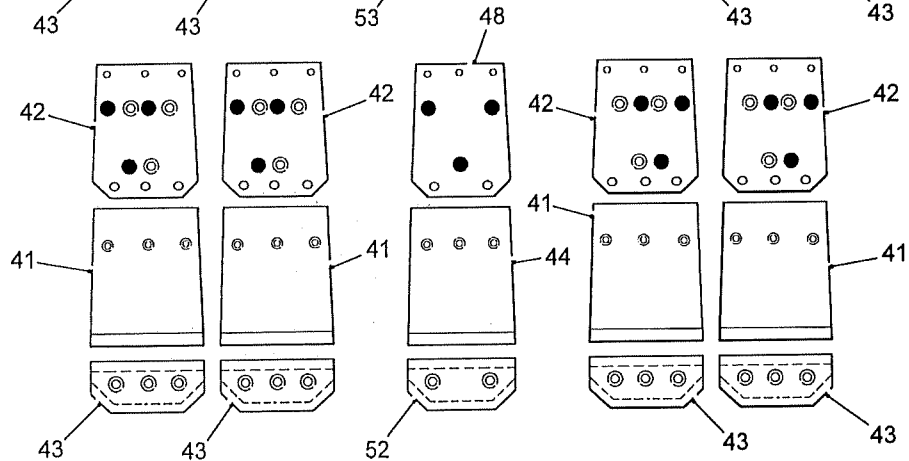
Plastic Shares For 68" Beds



Plastic Shares For 64" Beds



Plastic Shares For 60" Beds



Machines from 2021

Shares Assemblies For Bed Work

Item	Part No.	Description	Qty.	Remarks
1	RPA610.308517	Share Bar	1	
2	RPGM100.03729	Adjuster Clevis	2	
3	RPM146.304702	Retaining Pin	2	
4	RPS780	Bolt-on Share Arm	1	
5	RPS781	Share Arm Adjuster	1	
6	22016012/030	M12x30 CSK Socket Head Screw	15	Steel shares only
	22016012/040	M12x40 CSK Socket Head Screw	15	Plastic shares only
7	22012016/060	M16x60 Bolt	1	
8	22041016	M16 Nyloc Nut	1	
9	22052012	M12 Spring Washer	15	
10	22029012	M12 Full Nut	15	
11	22046020C	M20 Flat Washer	2	
12	22078005/040	Ø5x40 Split Pin	2	
13				
		Steel Shares Consist Of:		
14	RPA610.300671	Share Blade	1	
15	RPA610.300672	Share Blade	1	
16	RPA610.300692	Share Blade	1	
17	RPA610.300693	Share Blade	1	
18	RPA610.310448	Stone Flap	4	
19	RPM146.300673	Pivot Pin	4	
20	RPA610.300882	Centre Share Blade	1	60"beds
21	RPA610.310456	Stone Flap	1	60"beds
22	RPM146.300885	Pivot Pin	1	60"beds
23	RPA610.300886	Centre Share Blade	1	64"beds
24	RPA610.310454	Stone Flap	1	64"beds
25	RPM146.300889	Pivot Pin	1	64"beds
26	RPA610.300890	Centre Share Blade	1	68"beds
27	RPA610.310452	Stone Flap	1	68"beds
28	RPM146.300893	Pivot Pin	1	68"beds
29	RPA610.300894	Centre Share Blade	1	72"beds
30	RPA610.310450	Stone Flap	1	72"beds
31	RPM146.300897	Pivot Pin	1	72"beds
32	22046012C	M12 Flat Washer	10	
33	22078004/022	Ø4x22 Split Pin	10	
34				
		Plastic Shares Consist Of:		
35	22016008/040	M8x40 CSK Socket Head Screw	15	
36	22016012/040	M12x40 CSK Socket Head Screw	15	Qty x14 on 60"&64"beds
37	22029008	M8 Full Nut	15	
38	22029012	M12 Full Nut	15	Qty x14 on 60"&64"beds
39	22052008	M8 Spring Washer	15	
40	22052012	M12 Spring Washer	15	Qty x14 on 60"&64"beds
41	RPC730.308943	Plastic Share Blade	4	
42	RPM226.308941	Steel Profile	4	
43	RPW242.308942	Share Tip	4	
44	RPC730.308946	Centre Plastic Share Blade	1	60"beds
45	RPC730.308949	Centre Plastic Share Blade	1	64"beds
46	RPC730.308952	Centre Plastic Share Blade	1	68"beds
47	RPC730.308955	Centre Plastic Share Blade	1	72"beds

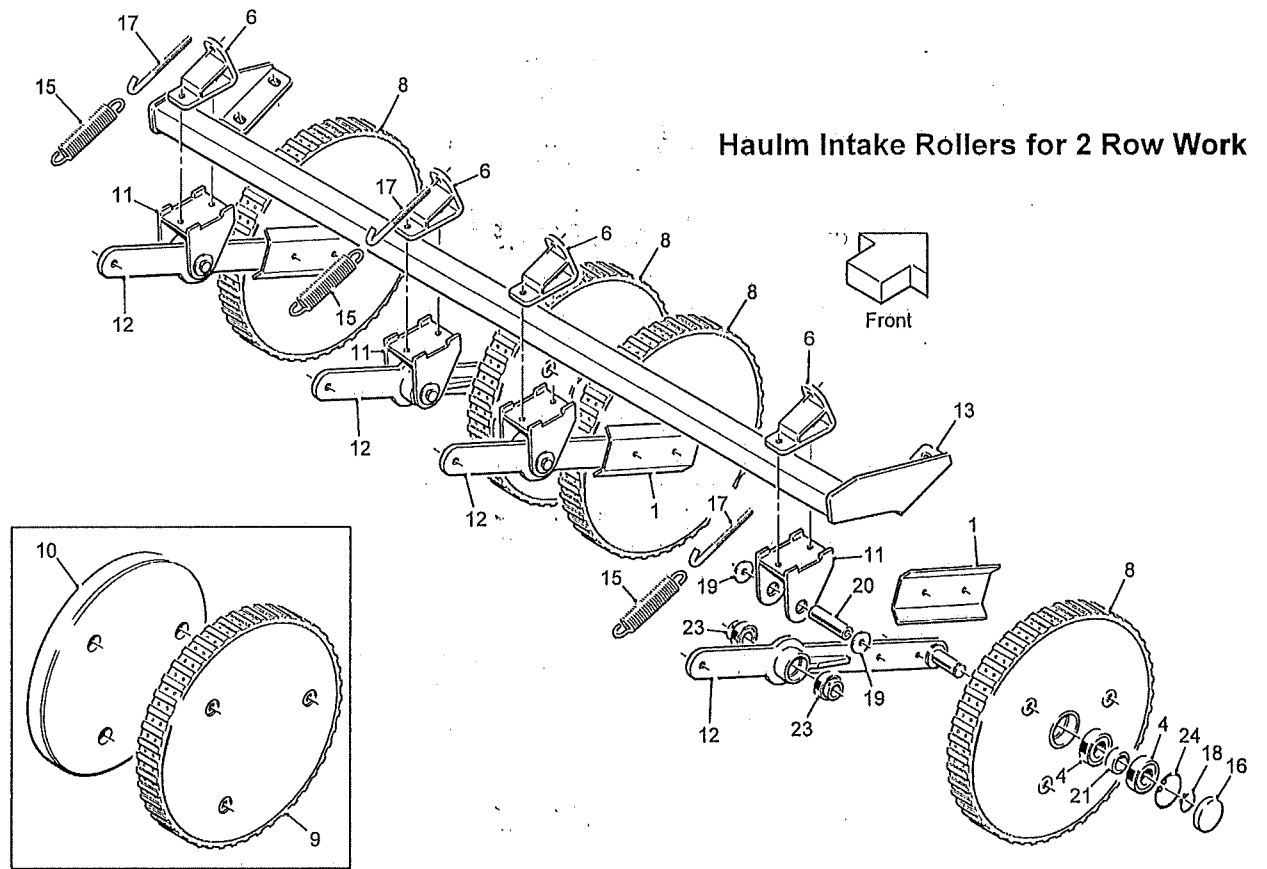
Machines from 2021

Shares Assemblies For Bed Work

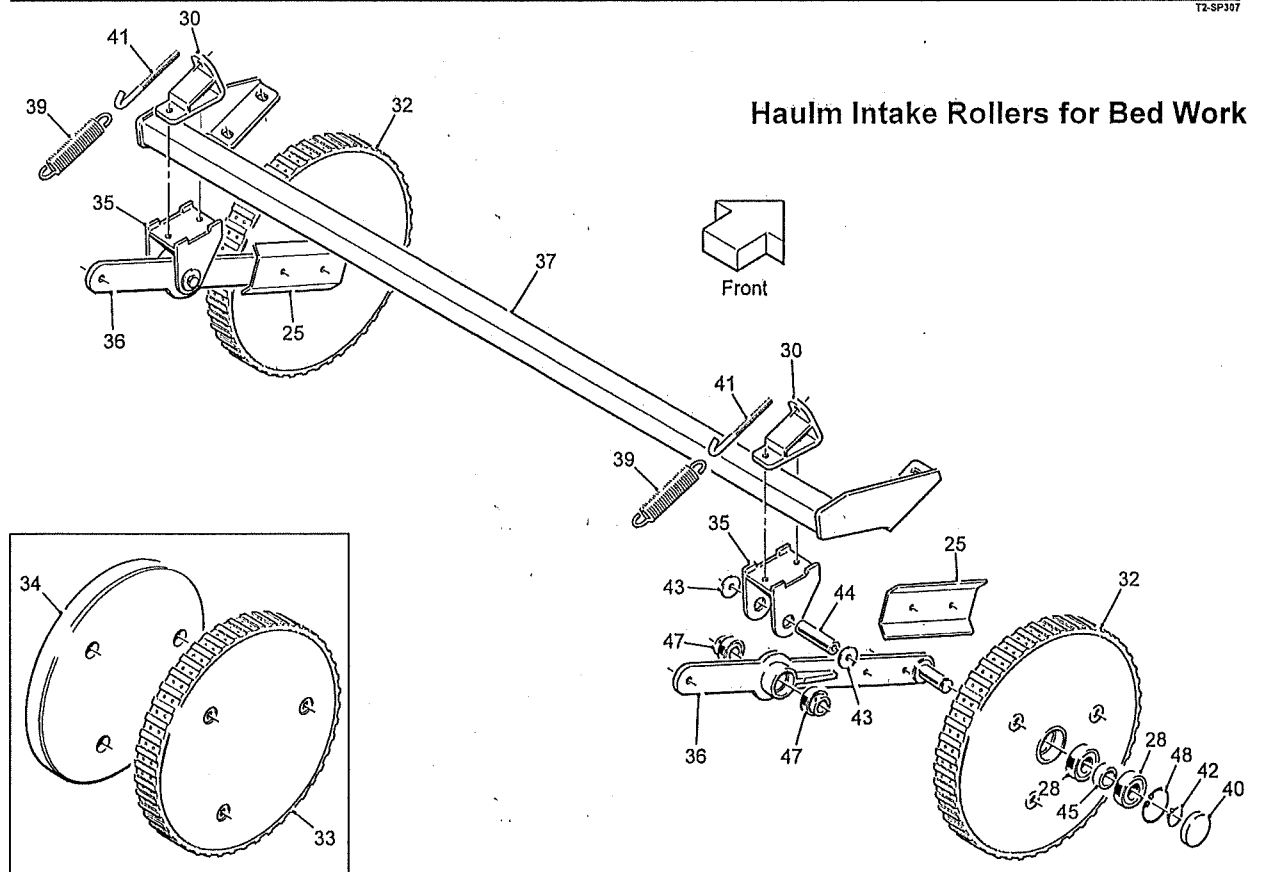
Item	Part No.	Description	Qty.	Remarks
48	RPM226.308944	Centre Steel Profile	1	60"beds
49	RPM226.308947	Centre Steel Profile	1	64"beds
50	RPM226.308950	Centre Steel Profile	1	68"beds
51	RPM226.308953	Centre Steel Profile	1	72"beds
52	RPW242.308945	Centre Share Tip	1	60"beds
53	RPW242.308948	Centre Share Tip	1	64"beds
54	RPW242.308951	Centre Share Tip	1	68"beds
55	RPW242.308954	Centre Share Tip	1	72"beds

Machines from 2021

Haulm Intake Rollers



T2-SP307



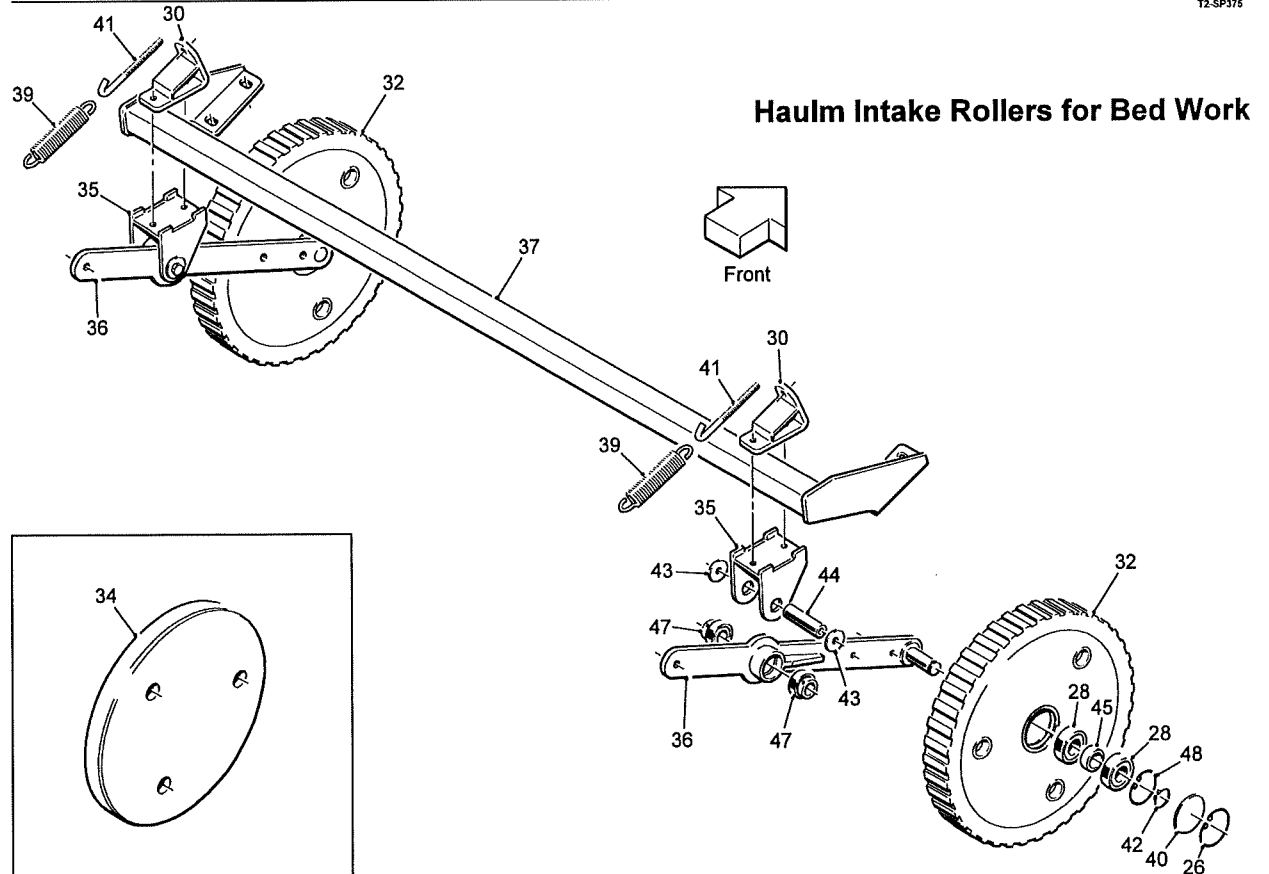
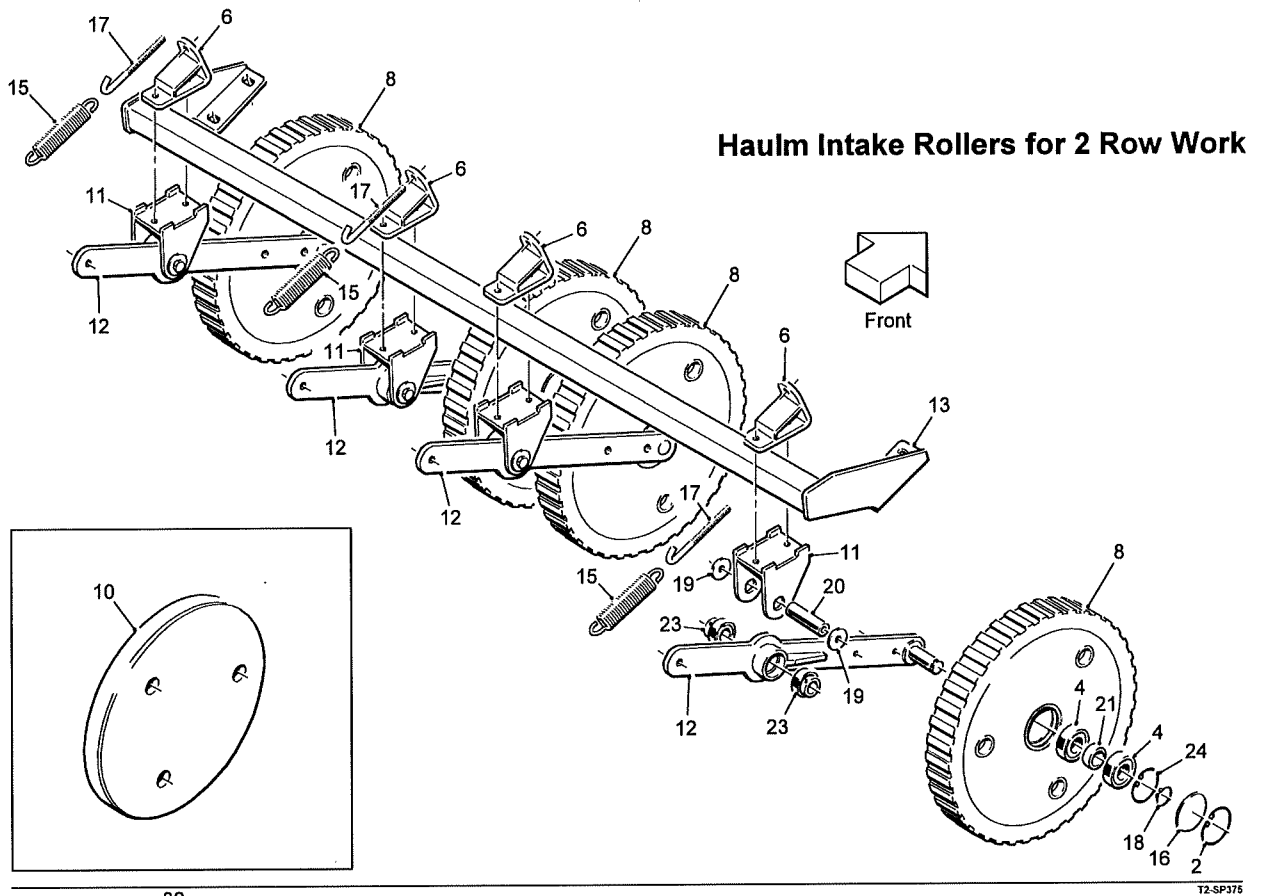
Machines from 2021

Haulm Intake Rollers

Item	Part No.	Description	Qty.	Remarks
		Haulm Intake Rollers for 2 Row Work Consists Of:		
1	62896	Scraper	4	
2				
3				
4	62042RS	Bearing	8	
5				
6	64957	Anchor Bracket	4	Was RP305587A
7				
8	RPA510.300440	Haulm Feed Roller	4	
9	RPA510.300704	50mm Bolt-on Haulm Feed Roller	a/r	Optional
10	RPA610.300474	25mm Bolt-on Haulm Feed Roller	a/r	Optional
11	64731	Pivot Bracket	4	
12	64732	Mounting Arm	4	
13	RPA610.305598	Bridge	1	
14				
15	RPC676.302597	Spring	4	
16	RPC730.300988	Rubber Plug	4	
17	RPF128.110130	M10 Hook Bolt	4	
18	RPF200.020175	Ø20 External Circlip	4	
19	SS040011/003	Washer	8	
20	64733	Pivot Pin	4	
21	RPM176.300469	Spacer	4	
22				
23	1120-20	Bearing	4	
24	W0113	Ø47 Internal Circlip	4	
		Haulm Intake Rollers for Bed Work Consists Of:		
25	62896	Scraper	2	
26				
27				
28	62042RS	Bearing	4	
29				
30	64957	Anchor Bracket	2	Was RP305587A
31				
32	RPA510.300440	Haulm Feed Roller	2	
33	RPA510.300704	50mm Bolt-on Haulm Feed Roller	a/r	Optional
34	RPA610.300474	25mm Bolt-on Haulm Feed Roller	a/r	Optional
35	64731	Pivot Bracket	2	
36	64732	Mounting Arm	2	
37	RPA610.305598	Bridge	1	
38				
39	RPC676.302597	Spring	2	
40	RPC730.300988	Rubber Plug	2	
41	RPF128.110130	M10 Hook Bolt	2	
42	RPF200.020175	Ø20 External Circlip	2	
43	SS040011/003	Washer	4	
44	64733	Pivot Pin	2	
45	RPM176.300469	Spacer	2	
46				
47	1120-20	Bearing	4	
48	W0113	Ø47 Internal Circlip	2	

Machines from Serial No T2-264

Haulm Intake Rollers



4.9a

T2 SPARE PARTS

Machines from Serial No T2-264

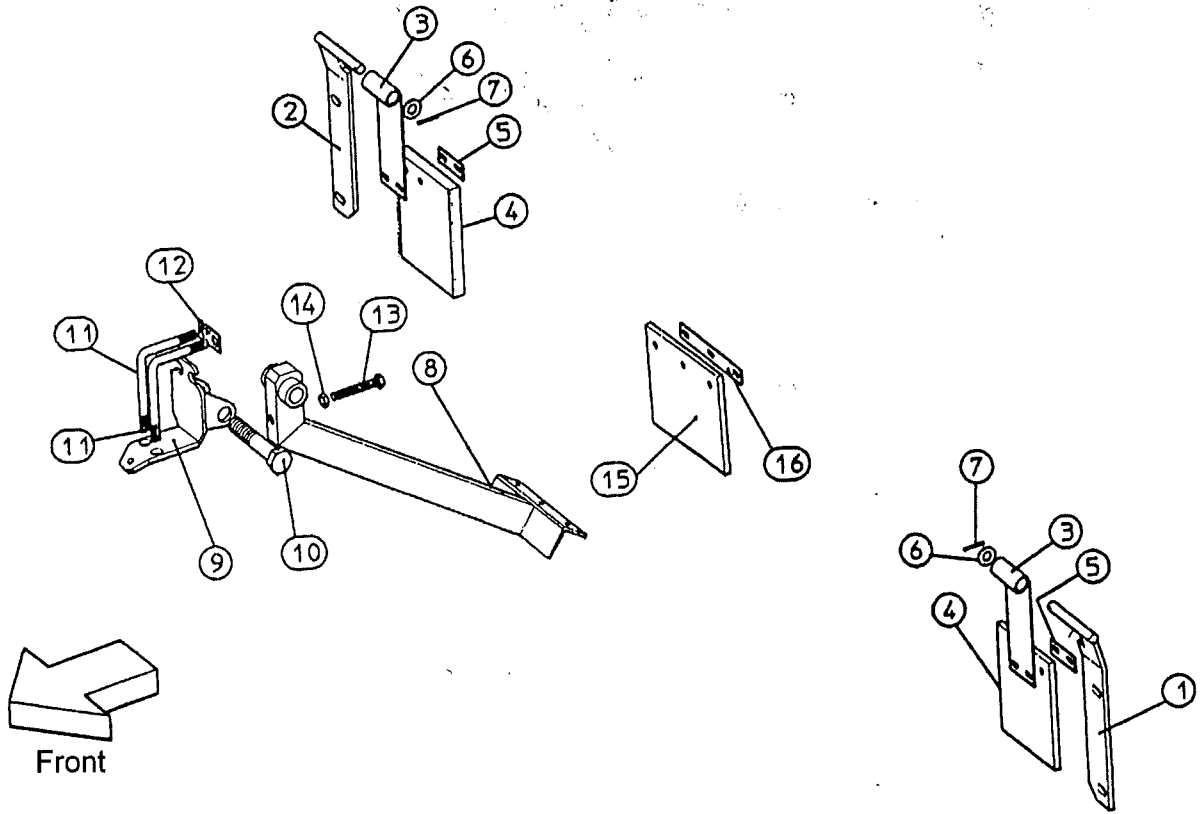
Haulm Intake Rollers

Item	Part No.	Description	Qty.	Remarks
		Haulm Intake Rollers for 2 Row Work Consists Of:		
1				
2	RPF202.070250	Ø70 Internal Circlip	4	
3				
4	63052RS	Bearing	8	
5				
6	64957	Anchor Bracket	4	
7				
8	64981	Haulm Feed Roller	4	
9				
10	RPA610.300474	25mm Bolt-on Haulm Feed Roller	a/r	Optional
11	64731	Pivot Bracket	4	
12	64982	Mounting Arm	4	
13	RPA610.305598	Bridge	1	
14				
15	RPC676.302597	Spring	4	
16	64646	Bearing Shield	4	
17	RPF128.110130	M10 Hook Bolt	4	
18	RPF200.025200	Ø25 External Circlip	4	
19	SS040011/003	Washer	8	
20	64733	Pivot Pin	4	
21	SS035026/010	Steel Spacer	4	
22				
23	1120-20	Bearing	4	
24	W0168	Ø62 Internal Circlip	4	
		Haulm Intake Rollers for Bed Work Consists Of:		
25				
26	RPF202.070250	Ø70 Internal Circlip	2	
27				
28	63052RS	Bearing	4	
29				
30	64957	Anchor Bracket	2	
31				
32	64981	Haulm Feed Roller	2	
33				
34	RPA610.300474	25mm Bolt-on Haulm Feed Roller	a/r	Optional
35	64731	Pivot Bracket	2	
36	64982	Mounting Arm	2	
37	RPA610.305598	Bridge	1	
38				
39	RPC676.302597	Spring	2	
40	64646	Bearing Shield	2	
41	RPF128.110130	M10 Hook Bolt	2	
42	RPF200.025200	Ø25 External Circlip	2	
43	SS040011/003	Washer	4	
44	64733	Pivot Pin	2	
45	SS035026/010	Steel Spacer	2	
46				
47	1120-20	Bearing	4	
48	W0168	Ø62 Internal Circlip	2	

Machines from 2021

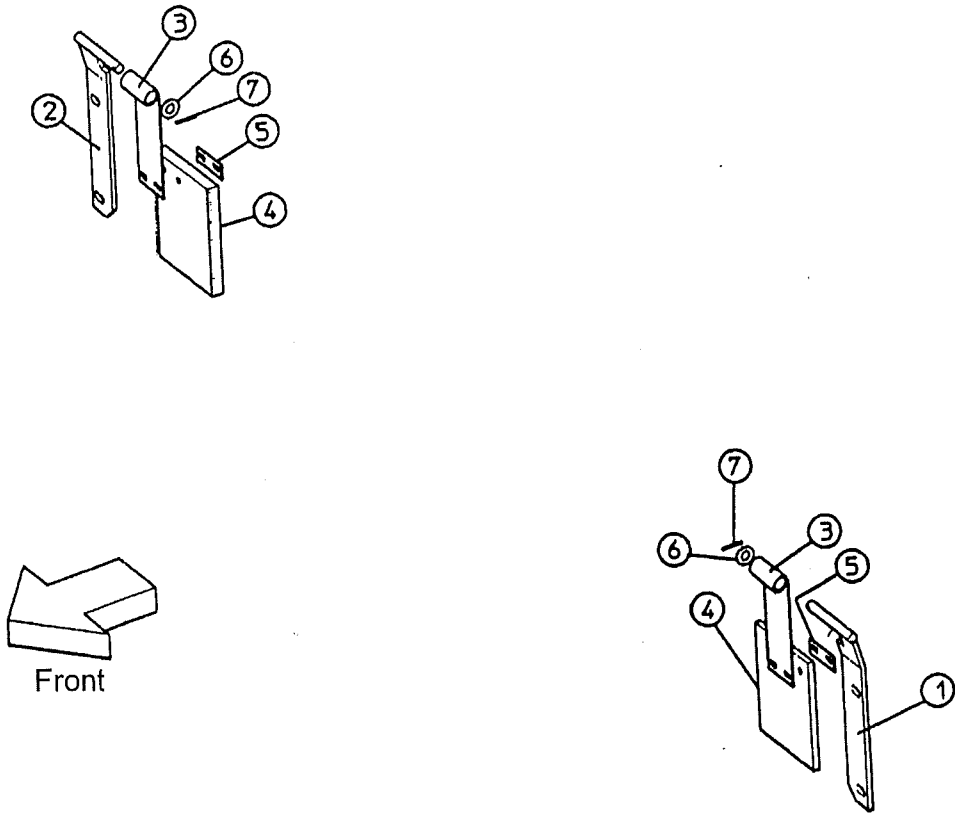
2 ROW WORK

Anti Roll-back Flaps



EP-SP101

BED WORK



4.10a

T2 SPARE PARTS

Machines from 2021

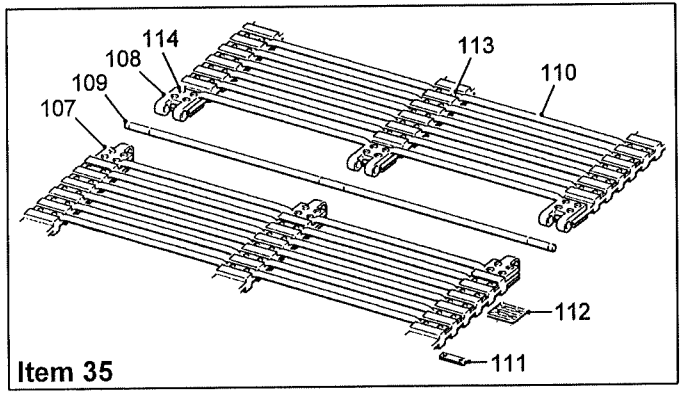
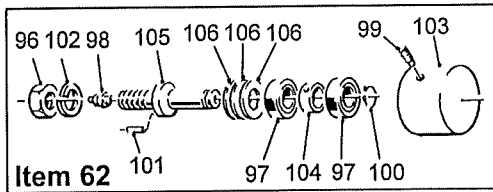
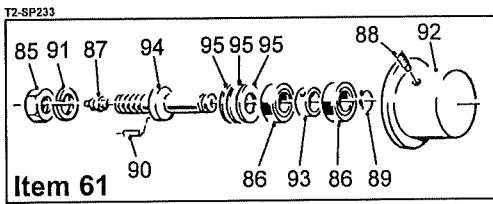
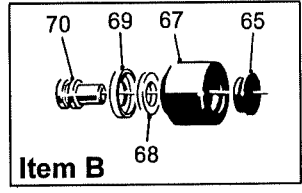
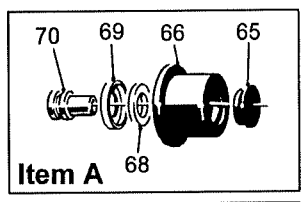
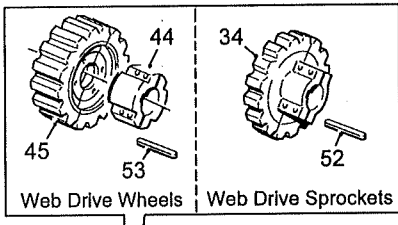
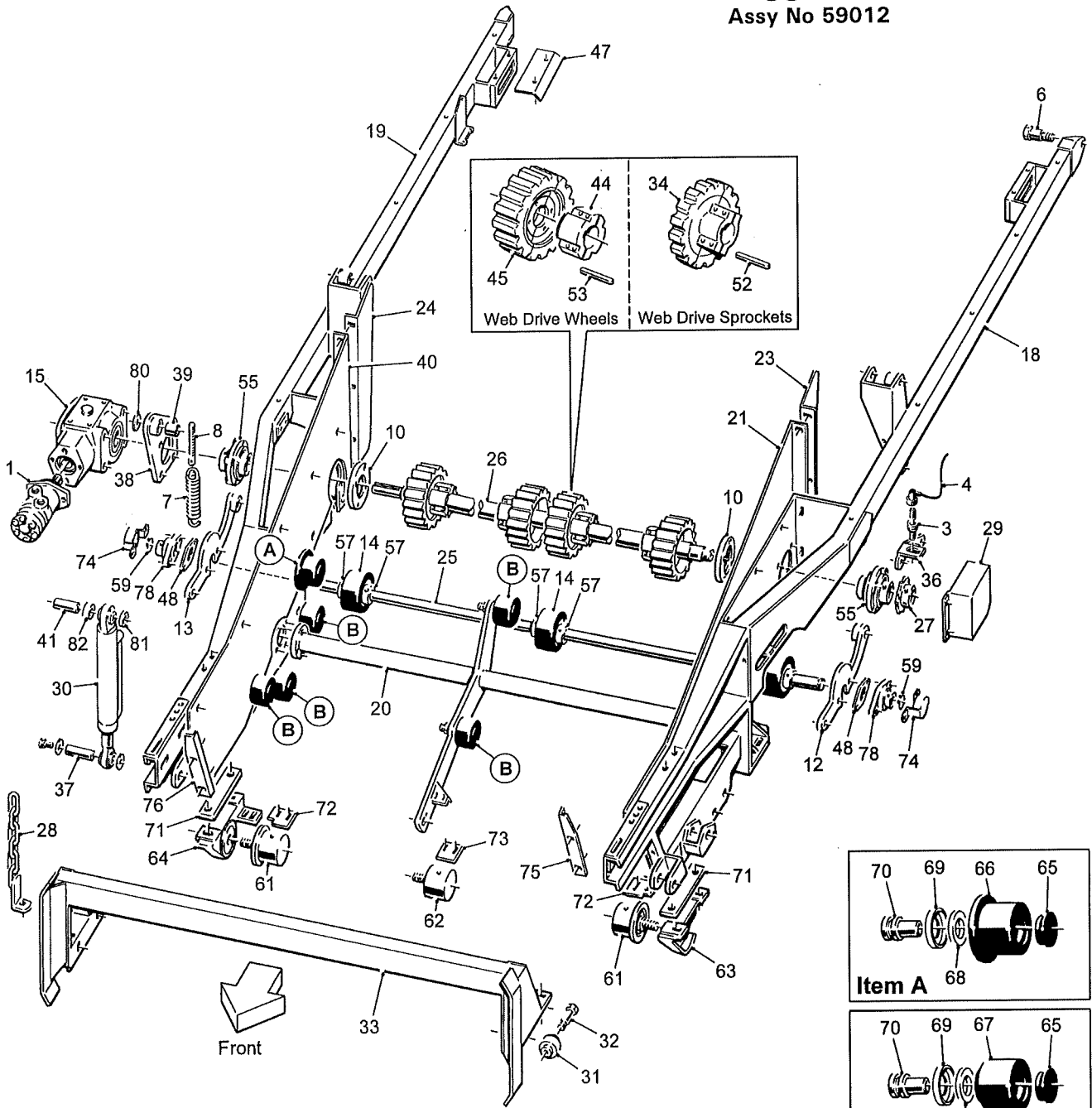
Anti Roll-back Flaps

Item	Part No.	Description	Qty.	Remarks
1	RPA610.308799	Mounting LH	1	
2	RPA610.308800	Mounting RH	1	
3	RPA610.308795	Mounting Plate	2	
4	RPC730.308801	Baffle (36"rows)	2	
	RPC730.308802	Baffle (34"rows)	2	
	RPC730.308803	Baffle (32"rows)	2	
	RPC730.308804	Baffle (30"rows)	2	
5	RPM256.308805	Clamp Strip	2	
6	22046016C	M16 Flat Washer	2	
7	22067004/025	Ø4x35 Roll Pin	2	
8	RPA610.303136	Centre Flap Arm	1	
9	RPA610.302226	Centre Flap Mounting Plate	1	
10	22012024/120	M24x120 Bolt	1	
11	RPM186.302071	L' Stud	2	
12	RPM225.302070	Keep Plate	1	
13	22011012/130	M12x130 Set Screw	1	
14	22029012	M12 Full Nut	1	
15	RPC730.303149	Centre Rubber Flap (36"rows)	1	
	RPC730.306910	Centre Rubber Flap (34"rows)	1	
	RPC730.306911	Centre Rubber Flap (32"rows)	1	
	RPC730.306912	Centre Rubber Flap (30"rows)	1	
16	RPM256.306921	Centre Clamp Strip	1	

Machines from 2021

Digger Web Assembly

Assy No 59012



4.11a

T2 SPARE PARTS

Machines from 2021

Digger Web Assembly

Assy No 59012

Item	Part No.	Description	Qty.	Remarks
1	11201	Hydraulic Motor (80cc)	1	
	37897	Hydraulic Motor (100cc)	1	
2				
3	32037/1	Proximity Sensor	1	
4	32037/4	Sensor Cable (10m)	1	
5				
6	42043	Digger Pivot Pin	2	
7	42679	Tension Spring	2	
8	42800	Spring tensioner	2	
9				
10	46401	Bearing Plate	2	
11				
12	56109	Tension Roller Arm LH	1	
13	56110	Tension Roller Arm RH	1	
14	56226	Tension Roller	3	
15	56640	Gearbox Assembly	1	
16				
17				
18	59128	LH Digger Frame	1	
19	59129	RH Digger Frame	1	
20	59130	Roller Support Frame	1	
21	59131	Stainless Steel Side Panel LH	1	
22				
23	59133	Stainless Steel Deflector Panel LH	1	
24	59134	Stainless Steel Deflector Panel RH	1	
25	59135A	Tensioner Roller Shaft	1	
26	59234A	Digger Web Drive Shaft	1	
27	59277	Sensor Disc	1	
28	59307	Transport Chain	2	
29	59312	Sensor Guard	1	
30	59341A	Hydraulic Ram	2	
31	59342	Guide Roller	2	
32	59343	Shoulder Bolt	2	
33	59345	Bridge	1	
34	56397	36mm Pitch Web Drive Sprocket	4	
35	59453MF	28mm Pitch Web	1	(see list at end)
	59740MF	32mm Pitch Web	1	(see list at end)
	59202MF	36mm Pitch Web	1	(see list at end)
	62601MF	40mm Pitch Web	1	(see list at end)
	59999MF	45mm Pitch Web	1	(see list at end)
	62542MF	50mm Pitch Web	1	(see list at end)
36	59477	Sensor Bracket	1	
37	59492	Ø25 Ram Pin	2	
38	59678A	Motor Reaction Bracket	1	
39	59680	Bush	1	
40	59695	Stainless Steel Side Panel RH	1	
41	59748	Ø25 Ram Pin	2	
42				
43				

T2 SPARE PARTS

4.11b

Machines from 2021

Digger Web Assembly

Assy No 59012

Item	Part No.	Description	Qty.	Remarks
44	62036	Drive Wheel Hub	4	
45	62037/28/22	28mm Pitch Web Drive Wheel	4	
	62037/32/18	32mm Pitch Web Drive Wheel	4	
	62037/40/16	40mm Pitch Web Drive Wheel	4	
	62037/45/13	45mm Pitch Web Drive Wheel	4	
	62037/50/12	50mm Pitch Web Drive Wheel	4	
46				
47	62900	Dirt Shield	2	
48	64299	Spacer Plate	a/r	
49				
50				
51				
52	22062A018/115	18x9.7x115 Key	4	
53	22062018/115	18x11x115 Key	4	
54				
55	MFC50	Bearing Complete	2	
56				
57	PS326M	Locking Collar	6	
58				
59	RH56	Ø30 External Circlip	2	
60				
61	RPA510.308681	Flanged Steel Roller Assembly	2	(see list at end)
62	RPA510.308684	Plain Steel Roller Assembly	1	(see list at end)
63	RPA610.308694	LH Roller Mounting	1	
64	RPA610.308695	RH Roller Mounting	1	
65	RPC620.303070	Cap	10	
66	RPC700.300146	Flanged Roller c/w Bearings	2	
67	RPC700.300147	Plain Roller c/w Bearings	8	
68	RPGM070.00446	Felt Seal Ring	10	
69	RPGM089.00565	Roller Shield	10	
70	RPM180.303071	Pivot Bush	10	
71	RPM225.308696	Spacer Plate	2	
72	RPW240.300135	Roller Scraper	2	
73	RPW240.300445	Roller Scraper	1	
74	RPS603	Bearing Guard	2	
75	RPS695	LH Clamp Plate	1	
76	RPS696	RH Clamp Plate	1	
77				
78	SFT30	Bearing	2	
79				
80	SS050017/006	Steel Spacer	1	
81	SS035026/010	Steel Spacer	2	
82	SS035026/020	Steel Spacer	2	
83				
84				
	RPA510.308681	Flanged Roller Assembly Consists Of:		
85	22029024	M24 Full Nut	1	
86	6205	Bearing	2	
87	RC648.081250	M8 Grease Nipple	1	
88	RPF136.308016	M8x16 Dog Screw	1	
89	RPF200.025200	Ø25 External Circlip	1	
90	RPF222.060016	Ø6x16 Groove Pin	1	
91	RPF290.124000	M24 Shakeproof Washer	1	
92	RPGM001.00180	Flanged Steel Roller	1	

4.11c

T2 SPARE PARTS

Machines from 2021

Digger Web Assembly

Assy No 59012

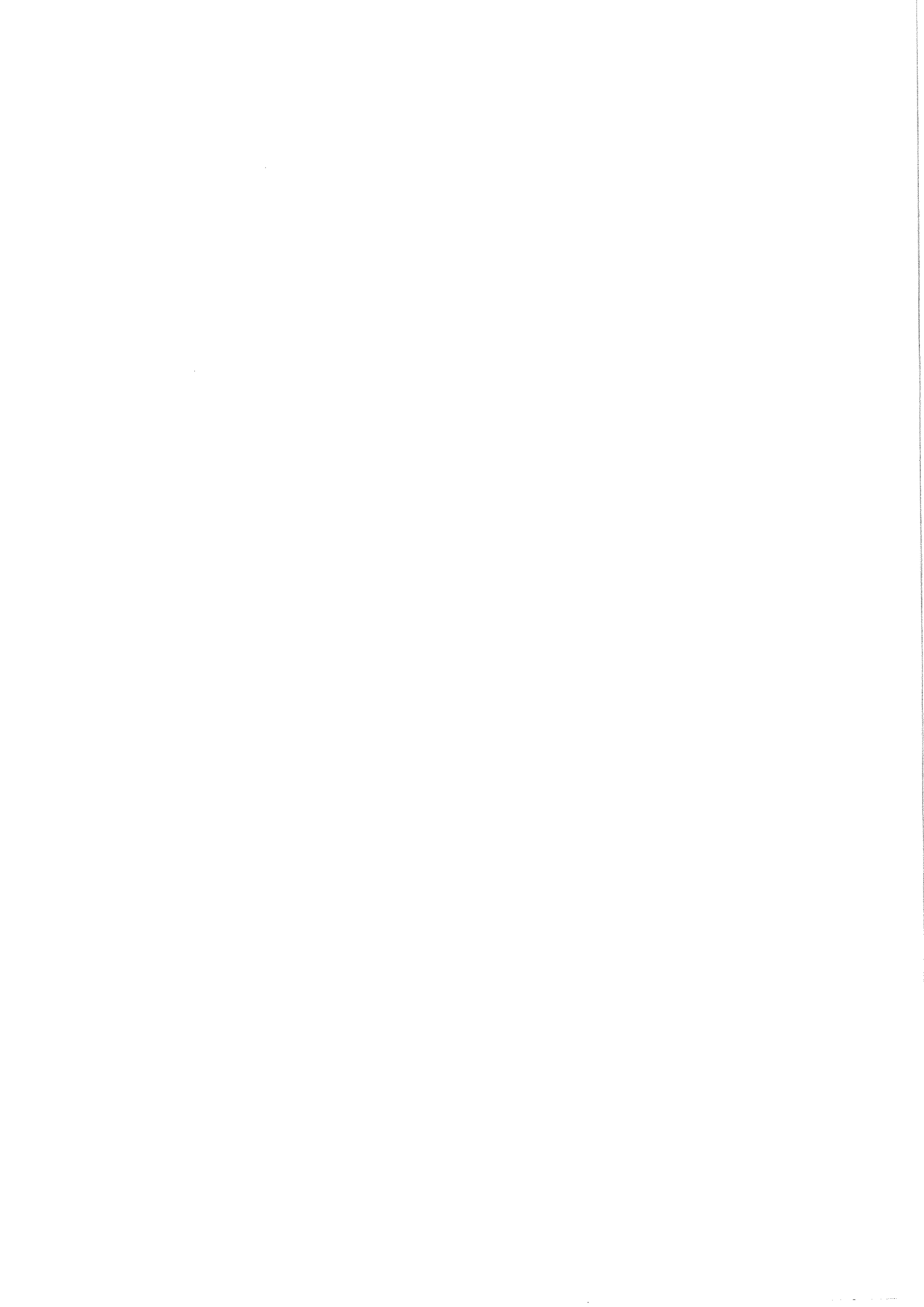
Item	Part No.	Description	Qty.	Remarks
93	RPM176.307416	Spacer	1	
94	RPM180.307415	Spindle	1	
95	RPS210.002052	Metal Seal	3	
	RPA510.308684	Plain Roller Assembly Consists Of:		
96	22029024	M24 Full Nut	1	
97	6205	Bearing	2	
98	RPC648.081250	M8 Grease Nipple	1	
99	RPF136.308016	M8x16 Dog Screw	1	
100	RPF200.025200	Ø25 External Circlip	1	
101	RPF222.060016	Ø6x16 Groove Pin	1	
102	RPF290.124000	M24 Shakeproof Washer	1	
103	RPGM001.00059	Plain Steel Roller	1	
104	RPM176.307416	Spacer	1	
105	RPM180.307415	Spindle	1	
106	RPS210.002052	Metal Seal	3	
	59453MF	28mm Pitch Digger Web Consists Of:		
107	59459MF/1	28mm Pitch Male Joiners & Rod	1	
108	59459MF/2	28mm Pitch Female Joiners & Rod	1	
109	59202MF/3	Joining Rod	1	
110	59740/1	Web Rod	104	
111	12238/6	Clamp Plate	312	
112	57058/28/3	Tapped Clamp Plate	6	
113	57058/4	Ø5.5x23 Rivet	624	
114	22016006/025	M6x25 CSK Setscrew	12	
	59740MF	32mm Pitch Digger Web Consists Of:		
107	59740MF/1	32mm Pitch Male Joiners & Rod	1	
108	59740MF/2	32mm Pitch Female Joiners & Rod	1	
109	59202MF/3	Joining Rod	1	
110	59740/1	Web Rod	91	
111	12238/6	Clamp Plate	273	
112	-	Tapped Clamp Plate	6	
113	57058/4	Ø5.5x23 Rivet	546	
114	22016006/025	M6x25 CSK Setscrew	-	
	59202MF	36mm Pitch Digger Web Consists Of:		
107	59202MF/1	36mm Pitch Male Joiners & Rod	1	
108	59202MF/2	36mm Pitch Female Joiners & Rod	1	
109	59202MF/3	Joining Rod	1	
110	59740/1	Web Rod	80	
111	12238/6	Clamp Plate	240	
112	57456/36/3	36mm Pitch Tapped Clamp Plate	6	
113	57058/4	Ø5.5x23 Rivet	480	
114	22016006/025	M6x25 CSK Setscrew	24	

T2 SPARE PARTS**4.11d**

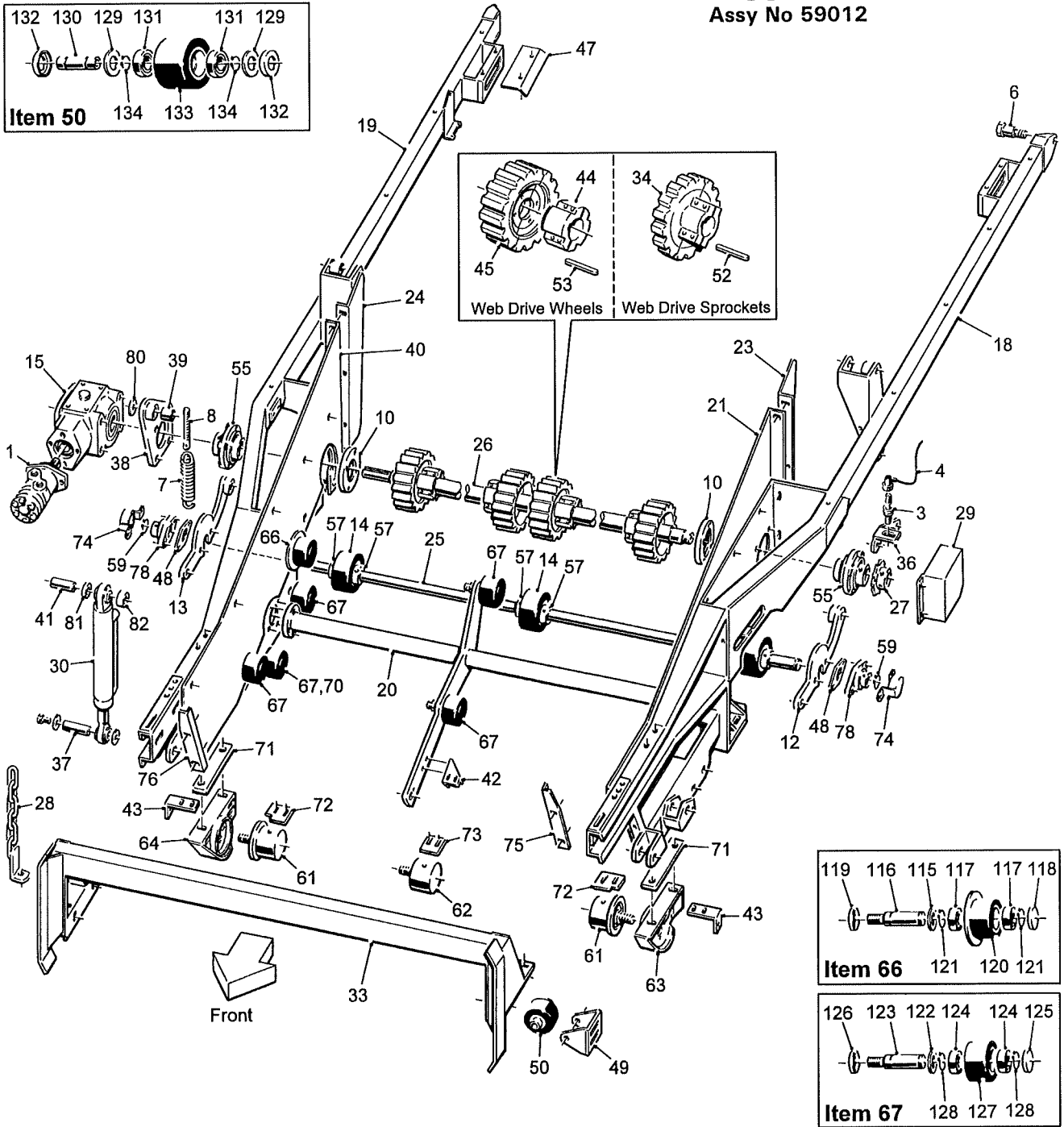
Machines from 2021

Digger Web Assembly**Assy No 59012**

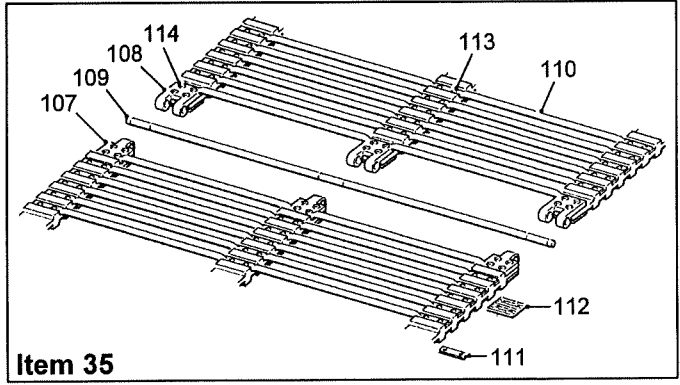
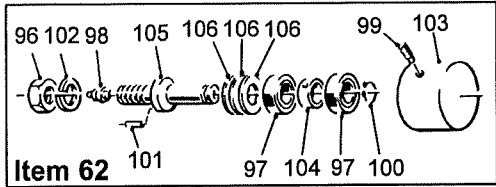
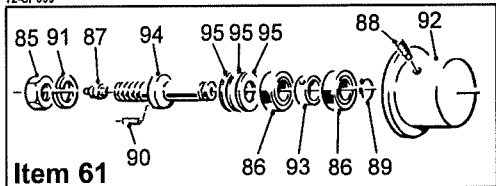
Item	Part No.	Description	Qty.	Remarks
	62601MF	40mm Pitch Digger Web		
		Consists Of:		
107	59236MF/1	40mm Pitch Male Joiners & Rod	1	
108	59236MF/2	40mm Pitch Female Joiners & Rod	1	
109	59202MF/3	Joining Rod	1	
110	59740/1	Web Rod	72	
111	12238/6	Clamp Plate	216	
112	59236/3	40mm Pitch Tapped Clamp Plate	6	
113	57058/4	Ø5.5x23 Rivet	432	
114	22016006/025	M6x25 CSK Setscrew	24	
	59999MF	45mm Pitch Digger Web		
		Consists Of:		
107	59237MF/1	45mm Pitch Male Joiners & Rod	1	
108	59237MF/2	45mm Pitch Female Joiners & Rod	1	
109	59202MF/3	Joining Rod	1	
110	59740/1	Web Rod	64	
111	12238/6	Clamp Plate	192	
112	57058/45/4HD	45mm Pitch Tapped Clamp Plate	6	
113	57058/4	Ø5.5x23 Rivet	384	
114	22016006/025	M6x25 CSK Setscrew	24	
	62542MF	50mm Pitch Digger Web		
		Consists Of:		
107	59238MF/1	50mm Pitch Male Joiners & Rod	1	
108	59238MF/2	50mm Pitch Female Joiners & Rod	1	
109	59202MF/3	Joining Rod	1	
110	59740/1	Web Rod	57	
111	12238/6	Clamp Plate	171	
112	59238/3	50mm Pitch Tapped Clamp Plate	6	
113	57058/4	Ø5.5x23 Rivet	342	
114	22016006/025	M6x25 CSK Setscrew	24	



Digger Web Assembly Assy No 59012



T2-SP355



4.11a

T2 SPARE PARTS

Digger Web Assembly

Assy No 59012

Item	Part No.	Description	Qty.	Remarks
1	11201	Hydraulic Motor (80cc)	1	
	37897	Hydraulic Motor (100cc)	1	
	37898	Hydraulic Motor (125cc)	1	
2				
3	32037/1	Proximity Sensor	1	
4	32037/4	Sensor Cable (10m)	1	
5				
6	42043	Digger Pivot Pin	2	
7	42679	Tension Spring	2	
8	42800	Spring tensioner	2	
9				
10	46401	Bearing Plate	2	
11				
12	56109	Tension Roller Arm LH	1	
13	56110	Tension Roller Arm RH	1	
14	56226	Tension Roller	3	
15	56640	Gearbox Assembly	1	
16				
17				
18	59128	LH Digger Frame	1	
19	59129	RH Digger Frame	1	
20	59130A	Roller Support Frame	1	Prior to 2022 was 59130
21	59131	Stainless Steel Side Panel LH	1	
22				
23	59133	Stainless Steel Deflector Panel LH	1	
24	59134	Stainless Steel Deflector Panel RH	1	
25	59135A	Tensioner Roller Shaft	1	
26	59234A	Digger Web Drive Shaft	1	
27	59277	Sensor Disc	1	
28	59307	Transport Chain	2	
29	59312	Sensor Guard	1	
30	59341A	Hydraulic Ram	2	
31				
32				
33	59345	Bridge	1	
34	56397	36mm Pitch Web Drive Sprocket	4	
35	59453MF	28mm Pitch Web	1	(see list at end)
	59740MF	32mm Pitch Web	1	(see list at end)
	59202MF	36mm Pitch Web	1	(see list at end)
	62601MF	40mm Pitch Web	1	(see list at end)
	59999MF	45mm Pitch Web	1	(see list at end)
	62542MF	50mm Pitch Web	1	(see list at end)
36	59477	Sensor Bracket	1	
37	59492	Ø25 Ram Pin	2	
38	59678A	Motor Reaction Bracket	1	
39	59680	Bush	1	
40	59695	Stainless Steel Side Panel RH	1	
41	59748	Ø25 Ram Pin	2	
42	70096	Scraper Mount Centre	1	Optional
43	70097	Scraper Mount Outer	2	Optional

T2 SPARE PARTS

4.11b

Digger Web Assembly

Assy No 59012

Item	Part No.	Description	Qty.	Remarks
44	62036	Drive Wheel Hub	4	
45	62037/28/22	28mm Pitch Web Drive Wheel	4	
	62037/32/18	32mm Pitch Web Drive Wheel	4	
	62037/40/16	40mm Pitch Web Drive Wheel	4	
	62037/45/13	45mm Pitch Web Drive Wheel	4	
	62037/50/12	50mm Pitch Web Drive Wheel	4	
46				
47	62900	Dirt Shield	2	
48	64299	Spacer Plate	a/r	
49	64973	Roller Bracket	2	
50	64974	Roller Assembly	2	(see list at end)
51				
52	22062A018/115	18x9.7x115 Key	4	
53	22062018/115	18x11x115 Key	4	
54				
55	MFC50	Bearing Complete	2	
56				
57	PS326M	Locking Collar	6	
58				
59	RH56	Ø30 External Circlip	2	
60				
61	RPA510.308681	Flanged Steel Roller Assembly	2	(see list at end)
62	RPA510.308684	Plain Steel Roller Assembly	1	(see list at end)
63	RPA610.308694A	LH Roller Mounting	1	Prior to 2022 was RPA610.308694
64	RPA610.308695A	RH Roller Mounting	1	Prior to 2022 was RPA610.308695
65				
66	12506	Roller Assembly	2	(see list at end)
67	19356	Roller Assembly	8	(see list at end)
68				
69				
70	RPM176.306319	10mm Spacer	2	
71	RPM225.308696	Spacer Plate	2	
72	RPW240.300135	Roller Scraper Outer	2	Optional
73	RPW240.300445	Roller Scraper Centre	1	Optional
74	RPS603	Bearing Guard	2	
75	RPS695	LH Clamp Plate	1	
76	RPS696	RH Clamp Plate	1	
77				
78	SFT30	Bearing	2	
79				
80	SS050017/006	Steel Spacer	1	
81	SS035026/010	Steel Spacer	2	
82	SS035026/020	Steel Spacer	2	
83				
84				
	RPA510.308681	Flanged Roller Assembly Consists Of:		
85	22029024	M24 Full Nut	1	
86	6205	Bearing	2	
87	RC648.081250	M8 Grease Nipple	1	
88	RPF136.308016	M8x16 Dog Screw	1	
89	RPF200.025200	Ø25 External Circlip	1	
90	RPF222.060016	Ø6x16 Groove Pin	1	
91	RPF290.124000	M24 Shakeproof Washer	1	
92	RPGM001.00180	Flanged Steel Roller	1	

Digger Web Assembly

Assy No 59012

Item	Part No.	Description	Qty.	Remarks
93	RPM176.307416	Spacer	1	
94	RPM180.307415	Spindle	1	
95	RPS210.002052	Metal Seal	3	
	RPA510.308684	Plain Roller Assembly Consists Of:		
96	22029024	M24 Full Nut	1	
97	6205	Bearing	2	
98	RPC648.081250	M8 Grease Nipple	1	
99	RPF136.308016	M8x16 Dog Screw	1	
100	RPF200.025200	Ø25 External Circlip	1	
101	RPF222.060016	Ø6x16 Groove Pin	1	
102	RPF290.124000	M24 Shakeproof Washer	1	
103	RPGM001.00059	Plain Steel Roller	1	
104	RPM176.307416	Spacer	1	
105	RPM180.307415	Spindle	1	
106	RPS210.002052	Metal Seal	3	
	59453MF	28mm Pitch Digger Web Consists Of:		
107	59459MF/1	28mm Pitch Male Joiners & Rod	1	
108	59459MF/2	28mm Pitch Female Joiners & Rod	1	
109	59202MF/3	Joining Rod	1	
110	59740/1	Web Rod	104	
111	12238/6	Clamp Plate	312	
112	57058/28/3	Tapped Clamp Plate	6	
113	57058/4	Ø5.5x23 Rivet	624	
114	22016006/025	M6x25 CSK Setscrew	12	
	59740MF	32mm Pitch Digger Web Consists Of:		
107	59740MF/1	32mm Pitch Male Joiners & Rod	1	
108	59740MF/2	32mm Pitch Female Joiners & Rod	1	
109	59202MF/3	Joining Rod	1	
110	59740/1	Web Rod	91	
111	12238/6	Clamp Plate	273	
112	-	Tapped Clamp Plate	6	
113	57058/4	Ø5.5x23 Rivet	546	
114	22016006/025	M6x25 CSK Setscrew	-	
	59202MF	36mm Pitch Digger Web Consists Of:		
107	59202MF/1	36mm Pitch Male Joiners & Rod	1	
108	59202MF/2	36mm Pitch Female Joiners & Rod	1	
109	59202MF/3	Joining Rod	1	
110	59740/1	Web Rod	80	
111	12238/6	Clamp Plate	240	
112	57456/36/3	36mm Pitch Tapped Clamp Plate	6	
113	57058/4	Ø5.5x23 Rivet	480	
114	22016006/025	M6x25 CSK Setscrew	24	

T2 SPARE PARTS**4.11d****Digger Web Assembly****Assy No 59012**

Item	Part No.	Description	Qty.	Remarks
	62601MF	40mm Pitch Digger Web		
		Consists Of:		
107	59236MF/1	40mm Pitch Male Joiners & Rod	1	
108	59236MF/2	40mm Pitch Female Joiners & Rod	1	
109	59202MF/3	Joining Rod	1	
110	59740/1	Web Rod	72	
111	12238/6	Clamp Plate	216	
112	59236/3	40mm Pitch Tapped Clamp Plate	6	
113	57058/4	Ø5.5x23 Rivet	432	
114	22016006/025	M6x25 CSK Setscrew	24	
	59999MF	45mm Pitch Digger Web		
		Consists Of:		
107	59237MF/1	45mm Pitch Male Joiners & Rod	1	
108	59237MF/2	45mm Pitch Female Joiners & Rod	1	
109	59202MF/3	Joining Rod	1	
110	59740/1	Web Rod	64	
111	12238/6	Clamp Plate	192	
112	57058/45/4HD	45mm Pitch Tapped Clamp Plate	6	
113	57058/4	Ø5.5x23 Rivet	384	
114	22016006/025	M6x25 CSK Setscrew	24	
	62542MF	50mm Pitch Digger Web		
		Consists Of:		
107	59238MF/1	50mm Pitch Male Joiners & Rod	1	
108	59238MF/2	50mm Pitch Female Joiners & Rod	1	
109	59202MF/3	Joining Rod	1	
110	59740/1	Web Rod	57	
111	12238/6	Clamp Plate	171	
112	59238/3	50mm Pitch Tapped Clamp Plate	6	
113	57058/4	Ø5.5x23 Rivet	342	
114	22016006/025	M6x25 CSK Setscrew	24	
	12506	Roller Assembly Consists Of:		
115	0000300504	Felt Seal	1	
116	11265	Roller Spindle	1	
117	6005RS	Bearing	2	
118	PH407	Seal	1	
119	PH408	Seal	1	
120	PH51AR	Flanged Roller	1	
121	PS843	Circlip	2	
	19356	Roller Assembly Consists Of:		
122	0000300504	Felt Seal	1	
123	11265	Roller Spindle	1	
124	6005RS	Bearing	2	
125	PH407	Seal	1	
126	PH408	Seal	1	
127	PH77AR	Plain Roller	1	
128	PS843	Circlip	2	

4.11e**T2 SPARE PARTS****Digger Web Assembly**

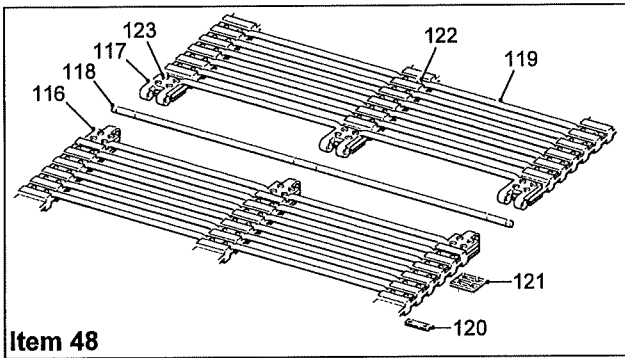
Assy No 59012

Item	Part No.	Description	Qty.	Remarks
	64974	Roller Assembly Consists Of:		
129	0000300504	Felt Seal	2	
130	47141A	Roller Spindle	1	
131	6005RS	Bearing	2	
132	PH408	Seal	2	
133	37559	Plain Roller	1	
134	PS843	Circlip	2	

Machines from 2021

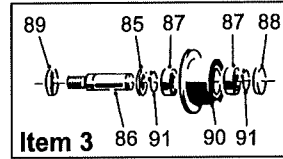
Sieving Web Assembly

Assy No 64871

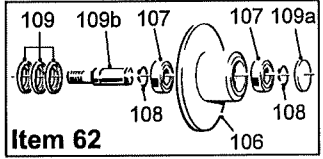


Item 48

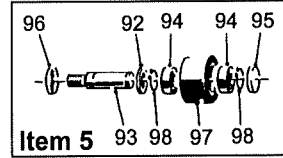
T2-SP318



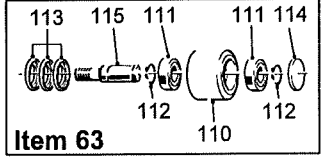
Item 3



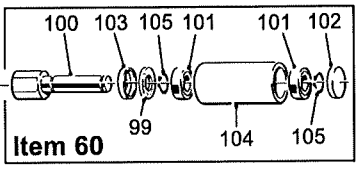
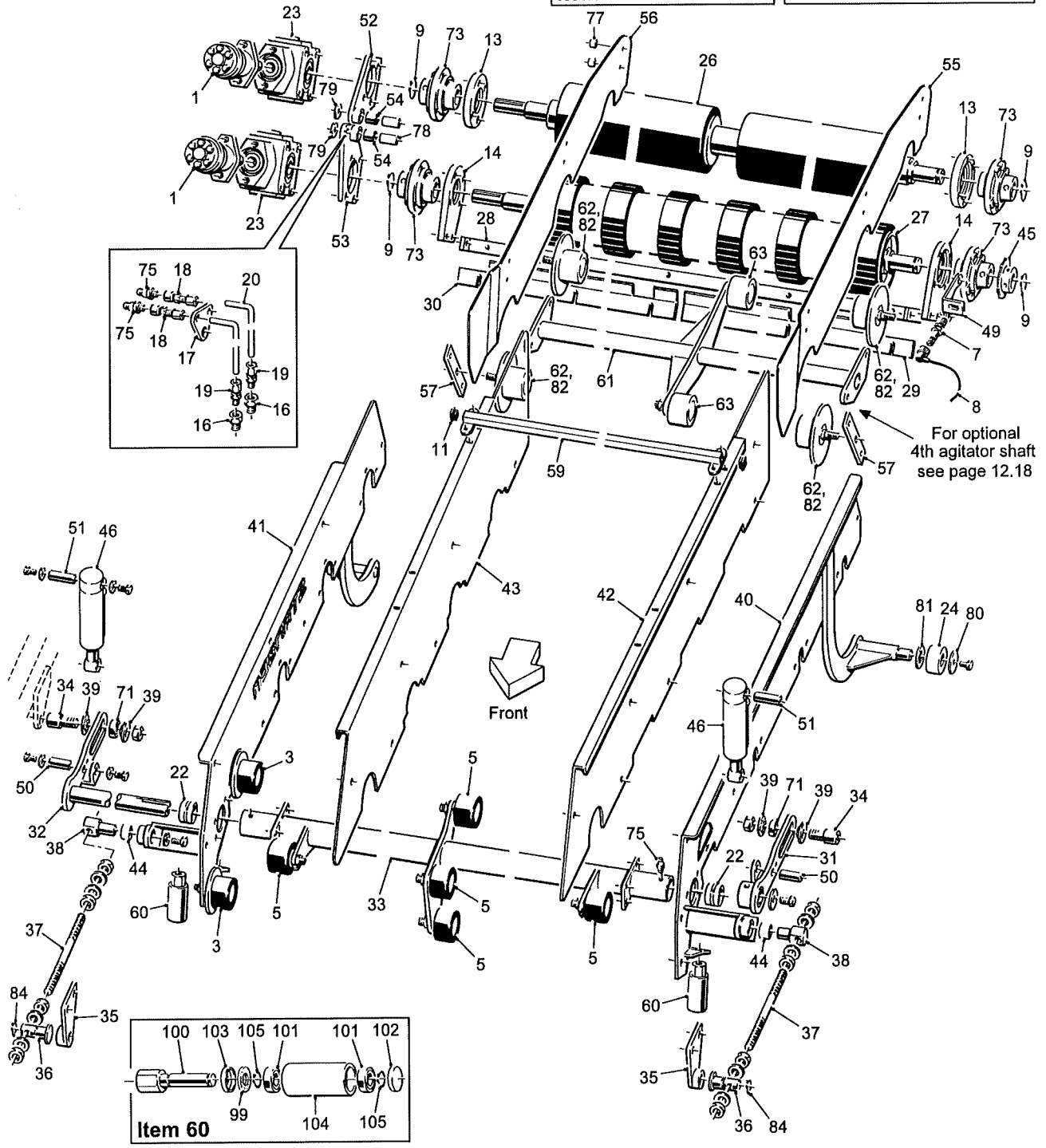
Item 62



Item 5



Item 63



Item 60

4.12a

T2 SPARE PARTS

Machines from 2021

Sieving Web Assembly

Assy No 64871

Item	Part No.	Description	Qty.	Remarks
1	11201	Hydraulic Motor (80cc)	2	
	37898	Hydraulic Motor (125cc)	2	
2				
3	12506	Roller Assembly	4	(see list at end)
4				
5	19356	Roller Assembly	5	(see list at end)
6				
7	32037/1	Proximity Sensor	1	
8	32037/2	Sensor Cable (5m)	1	
9	33130/16	Ø50 External Circlip	4	
10				
11	37753	Plastic Insert (30x30)	2	
12				
13	46401	Bearing Plate	2	
14	46402	Scraper Plate	2	
15				
16	51137	1/8"-1/4"UNF Adaptor	2	
17	51668	Grease Nipple Mounting Plate	1	
18	51669	Plate Adaptor	2	
19	51670	Straight Connector	2	
20	51671/350	Tube (350mm)	2	
21				
22	56377	Nylon Bush	2	
23	56641	Gearbox Assembly	2	
24	56829	Nylon Roller	2	
25				
26	59112	Main Drive Shaft	1	
27	59113	Assister Shaft	1	
28	59124	Scraper Bar	1	
29	59125	LH Scraper	1	
30	59126	RH Scraper	1	
31	59194	LH Lift Arm	1	
32	59195	RH Lift Arm	1	
33	59197	Support Roller Frame	1	
34	59198	Bearing Spigot	2	
35	59199	Pivot Adjuster Bracket	2	
36	59200	Pivot Adjuster Pin	2	
37	59201	Adjuster Rod	2	
38	59203	Pivot Boss	2	
39	59206	Top Hat Spacer	4	
40	59207	LH Web Side	1	
41	59208	RH Web Side	1	
42	59216A	LH Stainless Steel Panel	1	
43	59217A	RH Stainless Steel Panel	1	
44	59268	Nylon Bush	2	
45	59278	Sensor Disc	2	
46	59360	Hydraulic Ram		
47				
48	64861/36	36mm Pitch Web	1	(see list at end)
	64861/40	40mm Pitch Web	1	(see list at end)
	64861/45	45mm Pitch Web	1	(see list at end)

T2 SPARE PARTS**4.12b**

Machines from 2021

Sieving Web Assembly**Assy No 64871**

Item	Part No.	Description	Qty.	Remarks
49	59477	Sensor Bracket	1	
50	59492	Ram Pin	2	
51	59494	Ram Pin	2	
52	59678	Motor Reaction Bracket	1	
53	59679	Motor Reaction Bracket	1	
54	59680	Bush	2	
55	64834	LH Stainless Panel	1	
56	64835	RH Stainless Panel	1	
57	64984	Roller Mounting Plate	2	Not used with 4th agitator
58				
59	62353	Support Beam	1	
60	62906B	Roller Assembly	2	(see list at end)
61	64833	RollerSupport Frame	1	Not used with 4th agitator
62	37316	Ø90 Flanged Roller Assembly	4	(see list at end)
63	37315	Ø90 Plain Roller Assembly	2	(see list at end)
64				
65				
66				
67				
68				
69				
70				
71	62042RS	Bearing	2	
72				
73	MFC50	Bearing	4	
74				
75	GS412	1/8"BSP Straight Grease Nipple	4	
76				
77	SS020011/015	Steel Spacer	12	
78	SS040017/069	Steel Spacer	2	
79	SS050017/006	Steel Spacer	2	
80	SS080013/005	Steel Spacer	2	
81	SS080036/004	Steel Spacer	2	
82	SS035017/013	Steel Spacer	4	
83				
84	W0166	Ø30 External Circlip	2	
	12506	Roller Assembly Consists Of:		
85	0000300504	Felt Seal	1	
86	11265	Roller Spindle	1	
87	6005RS	Bearing	2	
88	PH407	Seal	1	
89	PH408	Seal	1	
90	PH51AR	Flanged Roller	1	
91	PS843	Circlip	2	
	19356	Roller Assembly Consists Of:		
92	0000300504	Felt Seal	1	
93	11265	Roller Spindle	1	
94	6005RS	Bearing	2	
95	PH407	Seal	1	
96	PH408	Seal	1	
97	PH77AR	Plain Roller	1	
98	PS843	Circlip	2	

4.12c

T2 SPARE PARTS

Machines from 2021

Sieving Web Assembly

Assy No 64871

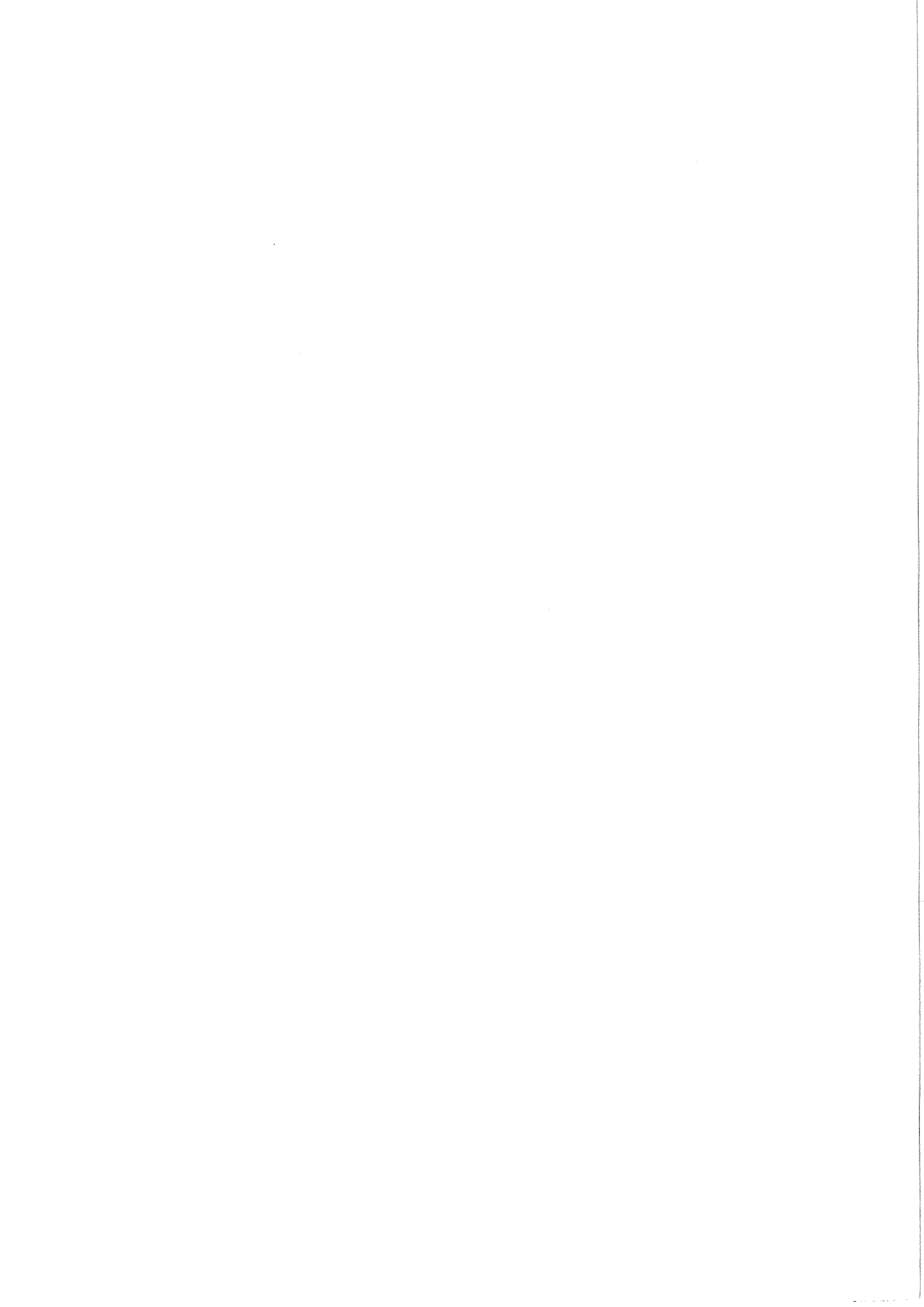
Item	Part No.	Description	Qty.	Remarks
	62906B	Roller Assembly Consists Of:		
99	0000300504	Felt Seal	1	
100	11265A	Spindle (167mm)	1	Spindle (118mm) 11265B
101	60052RS	Bearing	2	
102	PH407	Seal	1	
103	PH408	Seal	1	
104	37056B	Ø60 Plain Roller	1	
105	PS843	Circlip	2	
	37316	Roller Assembly Consists Of:		
106	37291	Ø90 Flanged Steel Roller	1	
107	6006RS	Bearing	2	
108	RH56	Circlip	2	
109	Z006	Sealing Ring	3	
109a	0000300202	Dust Cover	1	
109b	37313	Spindle	1	
	37315	Roller Assembly Consists Of:		
110	37307	Ø90 Plain Steel Roller	1	
111	6006RS	Bearing	2	
112	RH56	Circlip	2	
113	Z006	Sealing Ring	3	
114	0000300202	Dust Cover	1	
115	37313	Spindle	1	
	64861/36	36mm Pitch Sieving Web		
		Consists Of:		
116	59202MF/1	36mm Pitch Male Joiners & Rod	1	
117	59202MF/2	36mm Pitch Female Joiners & Rod	1	
118	59202MF/3	Joining Rod	1	
119	59740/1	Web Rod	212	
120	12238/6	Clamp Plate	636	
121	57456/36/3	36mm Pitch Tapped Clamp Plate	6	
122	57058/4	Ø5.5x23 Rivet	1272	
123	22016006/025	M6x25 CSK Setscrew	24	
	64861/40	40mm Pitch Sieving Web		
		Consists Of:		
116	59236MF/1	40mm Pitch Male Joiners & Rod	1	
117	59236MF/2	40mm Pitch Female Joiners & Rod	1	
118	59202MF/3	Joining Rod	1	
119	59740/1	Web Rod	191	
120	12238/6	Clamp Plate	573	
121	59236/3	40mm Pitch Tapped Clamp Plate	6	
122	57058/4	Ø5.5x23 Rivet	1146	
123	22016006/025	M6x25 CSK Setscrew	24	

T2 SPARE PARTS**4.12d**

Machines from 2021

Sieving Web Assembly**Assy No 64871**

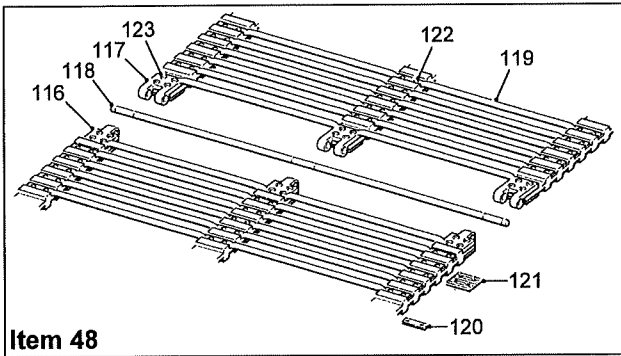
Item	Part No.	Description	Qty.	Remarks
	64861/45	45mm Pitch Sieving Web		
		Consists Of:		
116	59237MF/1	45mm Pitch Male Joiners & Rod	1	
117	59237MF/2	45mm Pitch Female Joiners & Rod	1	
118	59202MF/3	Joining Rod	1	
119	59740/1	Web Rod	169	
120	12238/6	Clamp Plate	507	
121	57058/45/4HD	45mm Pitch Tapped Clamp Plate	6	
122	57058/4	Ø5.5x23 Rivet	1014	
123	22016006/025	M6x25 CSK Setscrew	24	



Machines from 2022

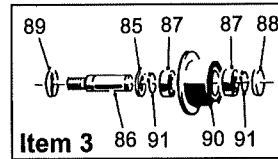
Sieving Web Assembly

Assy No 64871

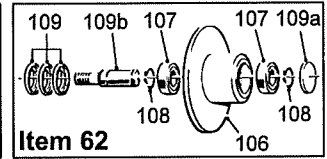


Item 48

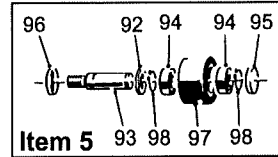
T2-SP386



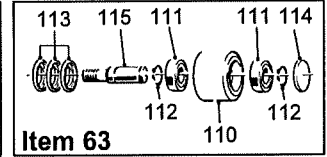
Item 3



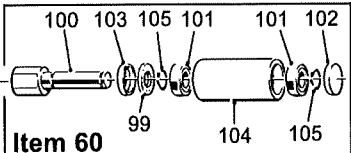
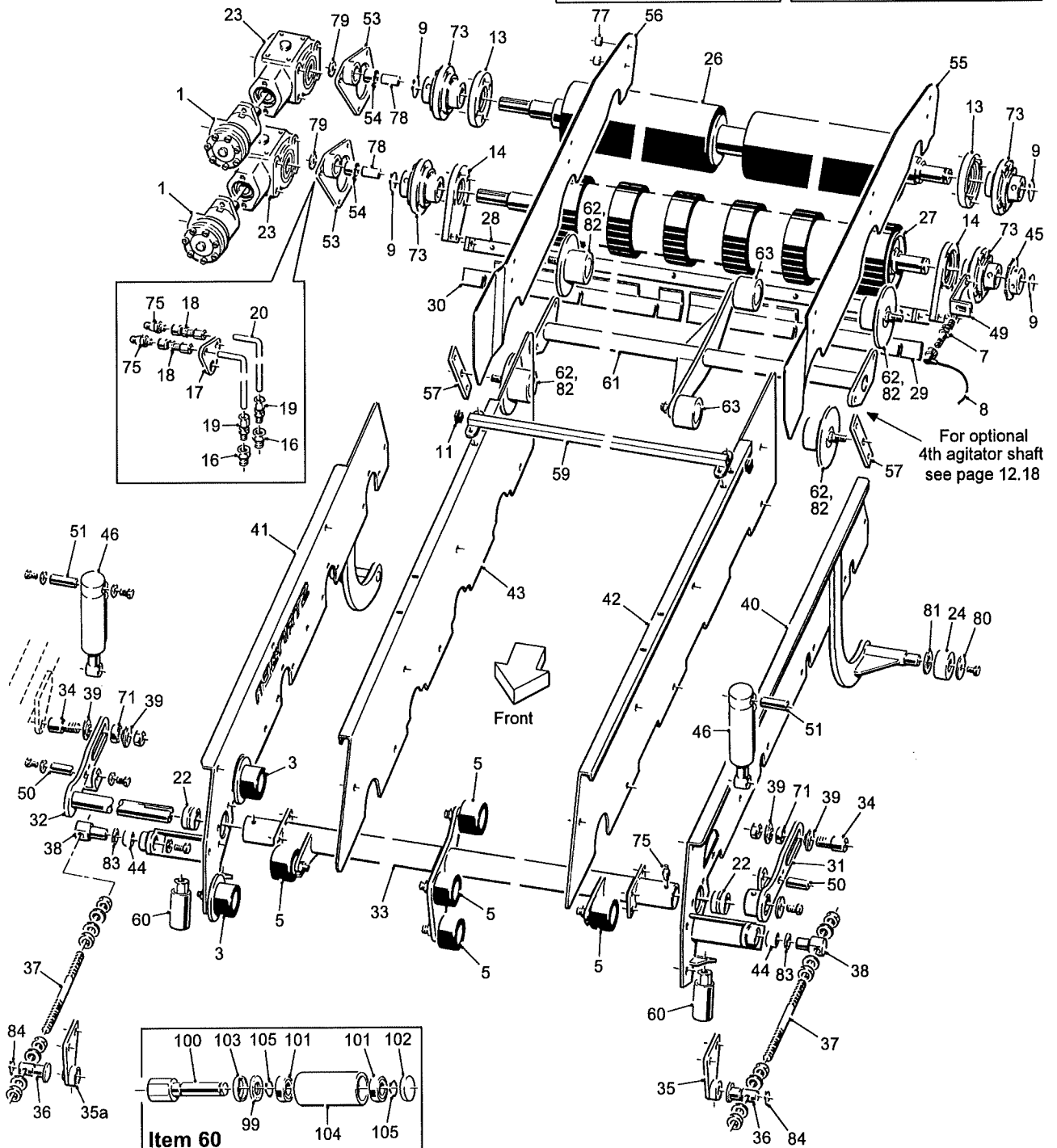
Item 62



Item 5



Item 63



Item 60

4.12a

T2 SPARE PARTS

Machines from 2022

Sieving Web Assembly

Assy No 64871

Item	Part No.	Description	Qty.	Remarks
1	11201	Hydraulic Motor (80cc)	2	
	37898	Hydraulic Motor (125cc)	2	
2				
3	12506	Roller Assembly	4	(see list at end)
4				
5	19356	Roller Assembly	5	(see list at end)
6				
7	32037/1	Proximity Sensor	1	
8	32037/4	Sensor Cable (10m)	1	
9	33130/16	Ø50 External Circlip	4	
10				
11	37753	Plastic Insert (30x30)	2	
12				
13	46401	Bearing Plate	2	
14	46402	Scraper Plate	2	
15				
16	51137	1/8"-1/4"UNF Adaptor	2	
17	51668	Grease Nipple Mounting Plate	1	
18	51669	Plate Adaptor	2	
19	51670	Straight Connector	2	
20	51671/350	Tube (350mm)	2	
21				
22	56377	Nylon Bush	2	
23	56641	Gearbox Assembly	2	
24	56829	Nylon Roller	2	
25				
26	59112	Main Drive Shaft	1	
27	59113	Assister Shaft	1	
28	59124	Scraper Bar	1	
29	59125	LH Scraper	1	
30	59126	RH Scraper	1	
31	59194	LH Lift Arm	1	
32	59195	RH Lift Arm	1	
33	59197	Support Roller Frame	1	
34	59198	Bearing Spigot	2	
35	59199A	Pivot Adjuster Bracket	1	Prior to 2023 was 59199
35a	59199B	Pivot Adjuster Bracket	1	From 2024
	59199A	Pivot Adjuster Bracket	1	2023 machines
	59199	Pivot Adjuster Bracket	1	2022 machines
36	59200A	Pivot Adjuster Pin	2	Prior to 2023 was 59200
37	59201	Adjuster Rod	2	
38	59203	Pivot Boss	2	
39	59206	Top Hat Spacer	4	
40	59207	LH Web Side	1	
41	59208	RH Web Side	1	
42	59216A	LH Stainless Steel Panel	1	
43	59217A	RH Stainless Steel Panel	1	
44	59268	Nylon Bush	2	
45	59278	Sensor Disc	2	
46	59360	Hydraulic Ram	2	
47				

T2 SPARE PARTS**4.12b**

Machines from 2022

Sieving Web Assembly**Assy No 64871**

Item	Part No.	Description	Qty.	Remarks
48	64861/36	36mm Pitch Web	1	(see list at end)
	64861/40	40mm Pitch Web	1	(see list at end)
	64861/45	45mm Pitch Web	1	(see list at end)
	64861/50	50mm Pitch Web	1	(see list at end)
	64861/56	56mm Pitch Web	1	(see list at end)
49	59477	Sensor Bracket	1	
50	59492	Ram Pin	2	
51	59494	Ram Pin	2	
52				
53	59679	Motor Reaction Bracket	2	
54	59680	Bush	2	
55	64834	LH Stainless Panel	1	
56	64835	RH Stainless Panel	1	
57	64984	Roller Mounting Plate	2	Not used with 4th agitator
58				
59	62353	Support Beam	1	
60	62906B	Roller Assembly	2	(see list at end)
61	64833	RollerSupport Frame	1	Not used with 4th agitator
62	37316	Ø90 Flanged Roller Assembly	4	(see list at end)
63	37315	Ø90 Plain Roller Assembly	2	(see list at end)
64				
65				
66				
67				
68				
69				
70				
71	62042RS	Bearing	2	
72				
73	MFC50	Bearing	4	
74				
75	GS412	1/8" BSP Straight Grease Nipple	4	
76				
77	SS020011/015	Steel Spacer	12	
78	SS040017/069	Steel Spacer	2	
79	SS050017/006	Steel Spacer	2	
80	SS080013/005	Steel Spacer	2	
81	SS080036/004	Steel Spacer	2	
82	SS035017/013	Steel Spacer	4	
83	SS050031/003	Steel Spacer	2	
84	W0166	Ø30 External Circlip	2	
	12506	Roller Assembly Consists Of:		
85	0000300504	Felt Seal	1	
86	11265	Roller Spindle	1	
87	6005RS	Bearing	2	
88	PH407	Seal	1	
89	PH408	Seal	1	
90	PH51AR	Flanged Roller	1	
91	PS843	Circlip	2	
	19356	Roller Assembly Consists Of:		
92	0000300504	Felt Seal	1	
93	11265	Roller Spindle	1	

4.12c

T2 SPARE PARTS

Machines from 2022

Sieving Web Assembly

Assy No 64871

Item	Part No.	Description	Qty.	Remarks
94	6005RS	Bearing	2	
95	PH407	Seal	1	
96	PH408	Seal	1	
97	PH77AR	Plain Roller	1	
98	PS843	Circlip	2	
	62906B	Roller Assembly Consists Of:		
99	0000300504	Felt Seal	1	
100	11265A	Spindle (167mm)	1	
	11265B	Spindle (118mm)	1	
	11265C	Spindle (131mm)	1	
101	60052RS	Bearing	2	
102	PH407	Seal	1	
103	PH408	Seal	1	
104	37056B	Ø60 Plain Roller	1	
105	PS843	Circlip	2	
	37316	Roller Assembly Consists Of:		
106	37291	Ø90 Flanged Steel Roller	1	
107	6006RS	Bearing	2	
108	RH56	Circlip	2	
109	Z006	Sealing Ring	3	
109a	0000300202	Dust Cover	1	
109b	37313	Spindle	1	
	37315	Roller Assembly Consists Of:		
110	37307	Ø90 Plain Steel Roller	1	
111	6006RS	Bearing	2	
112	RH56	Circlip	2	
113	Z006	Sealing Ring	3	
114	0000300202	Dust Cover	1	
115	37313	Spindle	1	
	64861/36	36mm Pitch Sieving Web Consists Of:		
116	59202MF/1	36mm Pitch Male Joiners & Rod	1	
117	59202MF/2	36mm Pitch Female Joiners & Rod	1	
118	59202MF/3	Joining Rod	1	
119	59740/1	Web Rod	212	
120	12238/6	Clamp Plate	636	
121	57456/36/3	36mm Pitch Tapped Clamp Plate	6	
122	57058/4	Ø5.5x23 Rivet	1272	
123	22016006/025	M6x25 CSK Setscrew	24	
	64861/40	40mm Pitch Sieving Web Consists Of:		
116	59236MF/1	40mm Pitch Male Joiners & Rod	1	
117	59236MF/2	40mm Pitch Female Joiners & Rod	1	
118	59202MF/3	Joining Rod	1	

Machines from 2022

Sieving Web Assembly

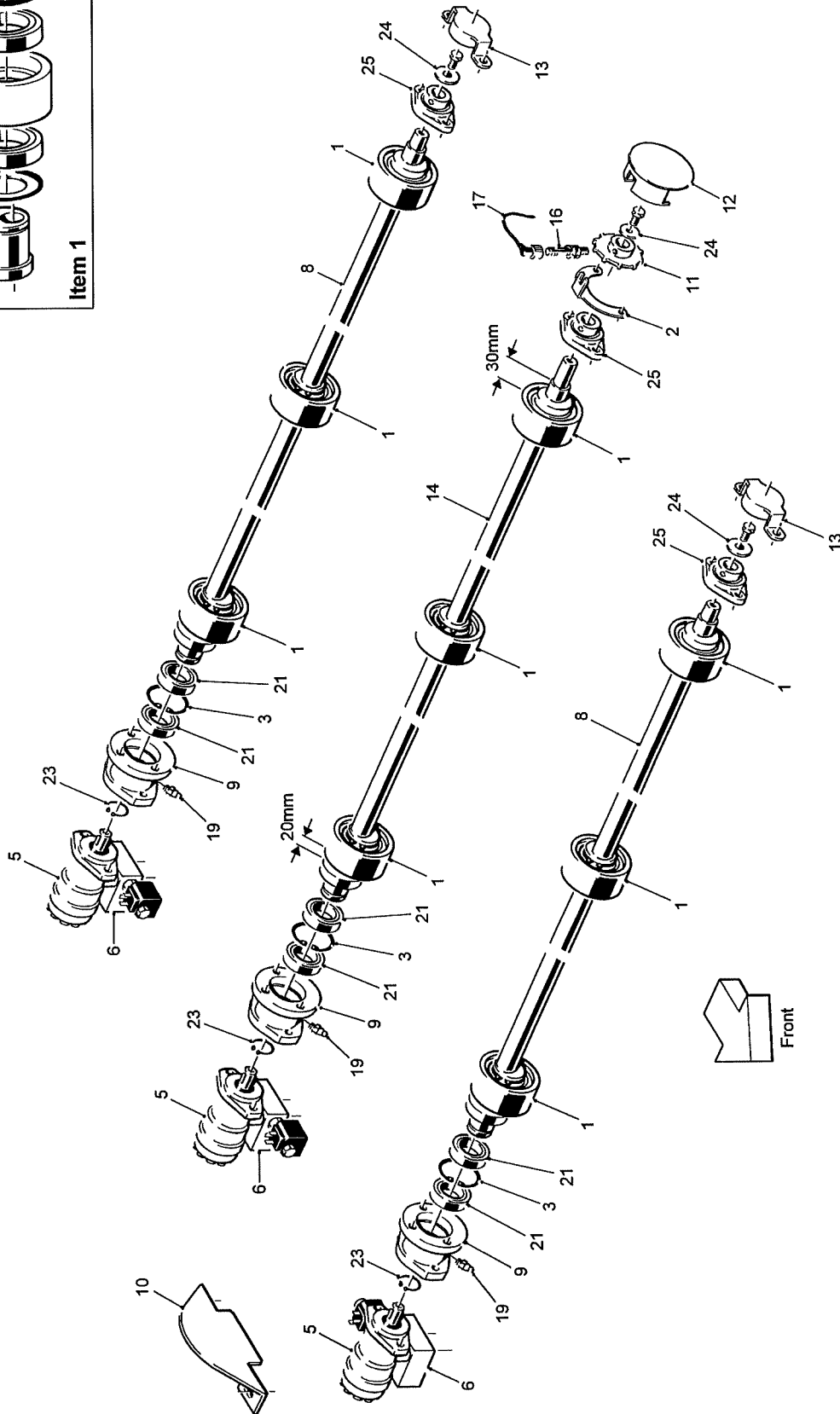
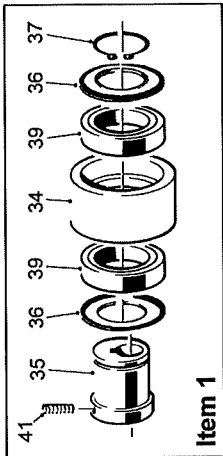
Assy No 64871

Item	Part No.	Description	Qty.	Remarks
119	59740/1	Web Rod	191	
120	12238/6	Clamp Plate	573	
121	59236/3	40mm Pitch Tapped Clamp Plate	6	
122	57058/4	Ø5.5x23 Rivet	1146	
123	22016006/025	M6x25 CSK Setscrew	24	
	64861/45	45mm Pitch Sieving Web		
		Consists Of:		
116	59237MF/1	45mm Pitch Male Joiners & Rod	1	
117	59237MF/2	45mm Pitch Female Joiners & Rod	1	
118	59202MF/3	Joining Rod	1	
119	59740/1	Web Rod	169	
120	12238/6	Clamp Plate	507	
121	57058/45/4HD	45mm Pitch Tapped Clamp Plate	6	
122	57058/4	Ø5.5x23 Rivet	1014	
123	22016006/025	M6x25 CSK Setscrew	24	
	64861/50	50mm Pitch Sieving Web		
		Consists Of:		
116	59238MF/1	50mm Pitch Male Joiners & Rod	1	
117	59238MF/2	50mm Pitch Female Joiners & Rod	1	
118	59202MF/3	Joining Rod	1	
119	59740/1	Web Rod	157	
120	12238/6	Clamp Plate	471	
121	59238/3	50mm Pitch Tapped Clamp Plate	6	
122	57058/4	Ø5.5x23 Rivet	942	
123	22016006/025	M6x25 CSK Setscrew	24	
	64861/56	56mm Pitch Sieving Web		
		Consists Of:		
116	62396MF/1	56mm Pitch Male Joiners & Rod	1	
117	62396MF/2	56mm Pitch Female Joiners & Rod	1	
118	59202MF/3	Joining Rod	1	
119	59740/1	Web Rod	140	
120	12238/6	Clamp Plate	420	
121	57058/56/3	56mm Pitch Tapped Clamp Plate	6	
122	57058/4	Ø5.5x23 Rivet	840	
123	22016006/025	M6x25 CSK Setscrew	24	



Machines from 2021

Agitator Assembly
Assy No 59017



4.13a

T2 SPARE PARTS

Machines from 2021

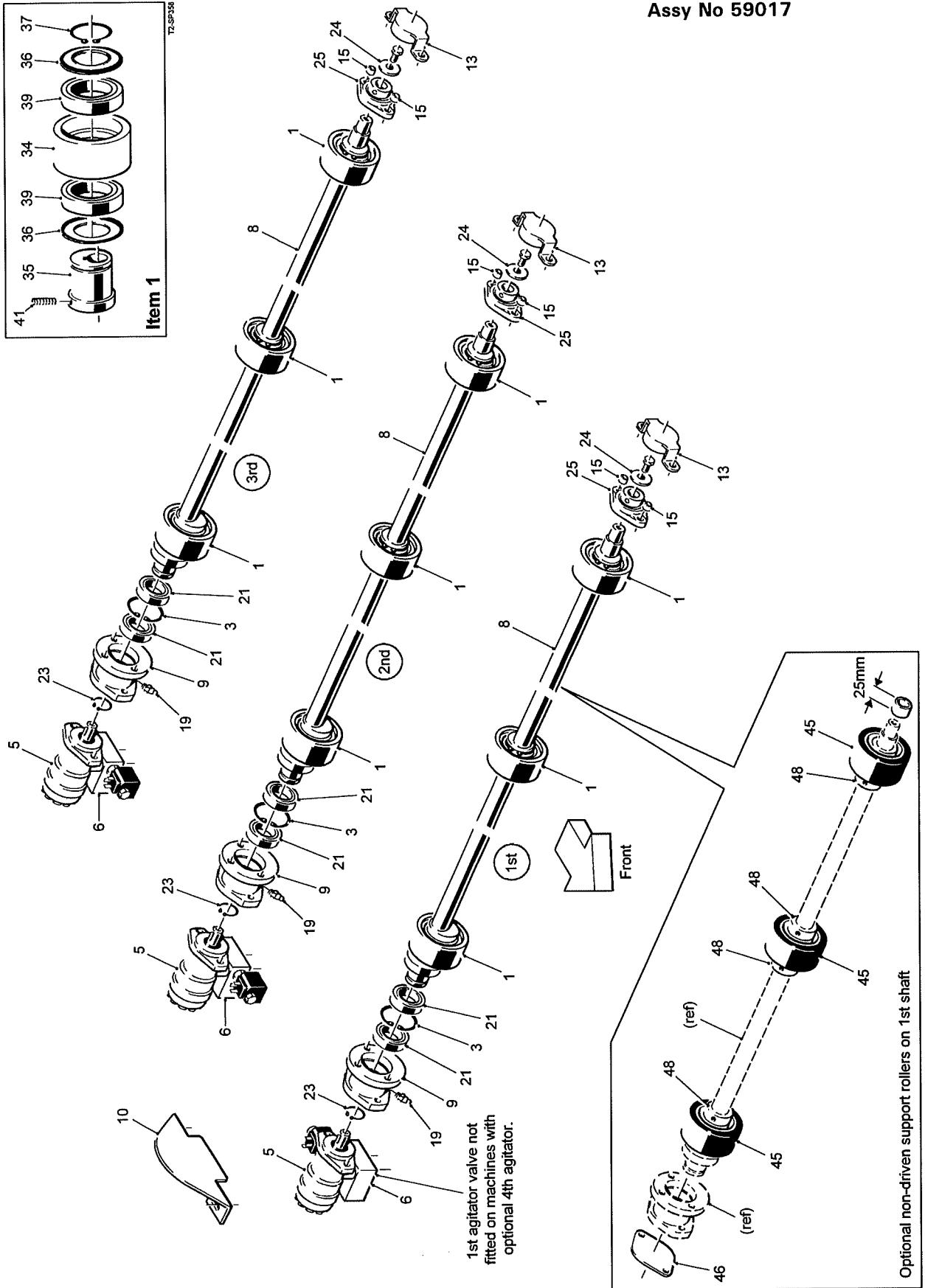
Agitator Assembly

Assy No 59017

Item	Part No.	Description	Qty.	Remarks
1	62498	Ø152 Eccentric Roller Assembly	9	(see list at end)
2	62897	Sensor Bracket	1	
3	46564	Ø90 Internal Circlip	3	
4				
5	59108	Hydraulic Motor	3	
6	59215	Hydraulic Motor Valve	3	
7				
8	59224	Agitator Shaft	2	
9	59225	Motor Mounting	3	
10	62615	Motor Shield	1	
11	59277	Sensor Disc	1	
12	64888	Bearing Shield	1	
13	59298	Bearing Shield	2	
14	59365	Agitator Shaft (centre)	1	
15				
16	32037/1	Proximity Sensor	1	
17	32037/4	Sensor Cable (10m)	1	
18				
19	RPC648.081250	M8 Straight Grease Nipple	3	
20				
21	6210RS	Bearing	6	
22				
23	RPF200.050200	Ø50 External Circlip	3	
24	SS040009/003	Steel Spacer	3	
25	SFT35	Bearing	3	
	62498	Ø152 Eccentric Roller Assembly		
		Consists Of:		
34	62495	Ø152 Roller	1	
35	62496	Eccentric Hub	1	
36	62497	Ø140xØ80 Seal	2	
37	37443	Ø80 External Circlip	1	
38				
39	6216RS	Bearing	2	
40				
41	22018008/030	M8 Grub Screw	1	

Machines from Serial No T2-264

Agitator Assembly Assy No 59017



4.13a

T2 SPARE PARTS

Machines from Serial No T2-264

Agitator Assembly

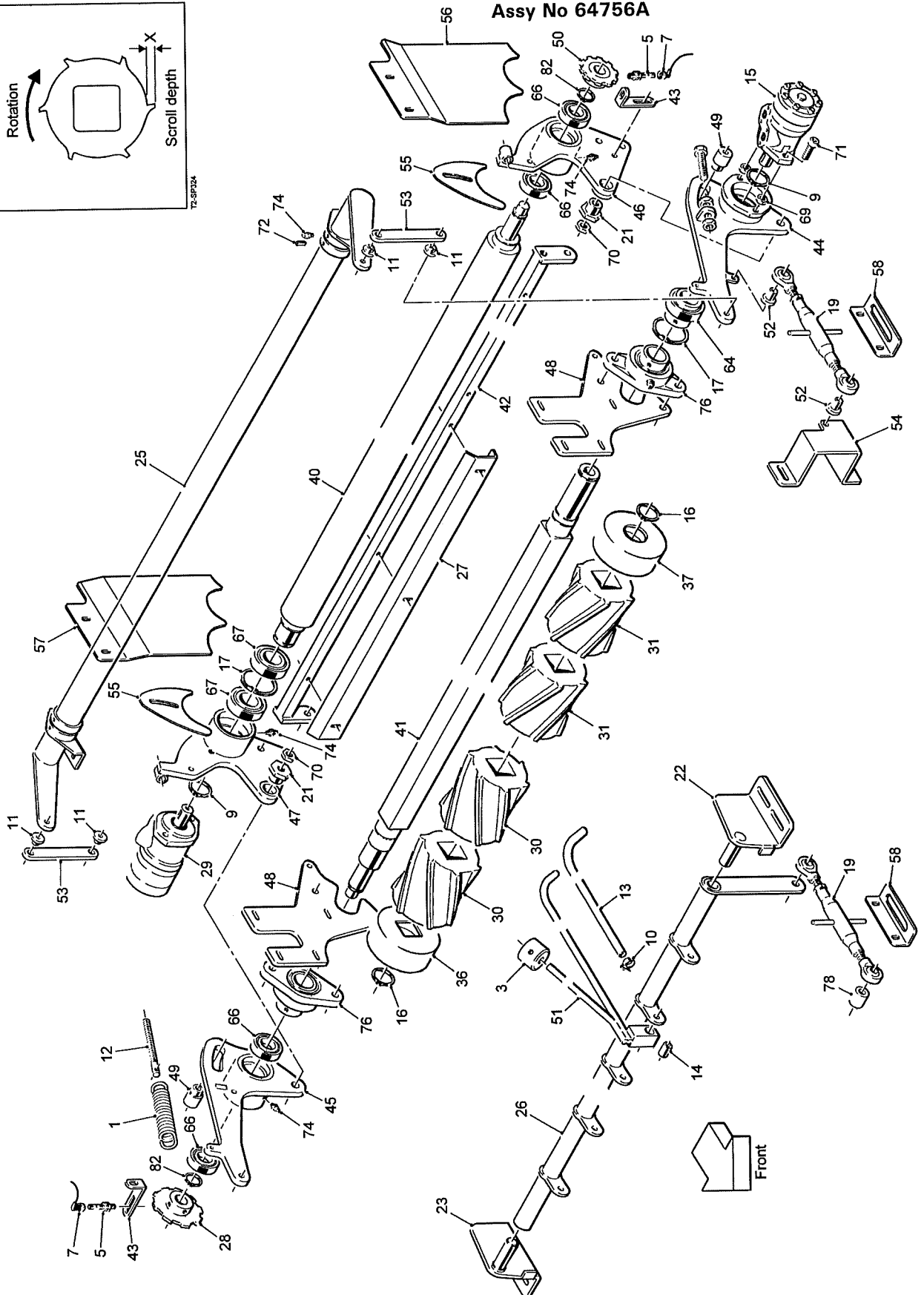
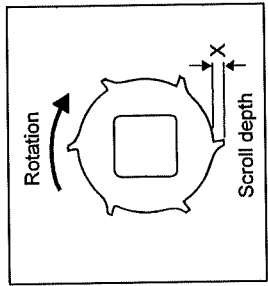
Assy No 59017

Item	Part No.	Description	Qty.	Remarks
1	62498	Ø152 Eccentric Roller Assembly	9	(see list at end)
2				
3	46564	Ø90 Internal Circlip	3	
4				
5	59108	Hydraulic Motor	3	
6	59215	Hydraulic Motor Valve	3	
7				
8	59224	Agitator Shaft	3	
9	59225	Motor Mounting	3	
10	62615	Motor Shield	1	
11				
12				
13	59298	Bearing Shield	3	
14				
15	70254	Hole Size Reducer (Ø10)	6	
16				
17				
18				
19	RPC648.081250	M8 Straight Grease Nipple	3	
20				
21	6210RS	Bearing	6	
22				
23	RPF200.050200	Ø50 External Circlip	3	
24	SS040009/003	Steel Spacer	3	
25	SFT35	Bearing	3	
	62498	Ø152 Eccentric Roller Assembly		
		Consists Of:		
34	62495	Ø152 Roller	1	
35	62496	Eccentric Hub	1	
36	62497	Ø140xØ80 Seal	2	
37	37443	Ø80 External Circlip	1	
38				
39	6216RS	Bearing	2	
40				
41	22018008/030	M8 Grub Screw	1	
		Optional Non-driven Support Rollers		
		On 1st Shaft Consist Of:		
45	70242	Ø140 Rubbered Roller	3	
46	70243	Motor Mounting Cover Plate	1	
47				
48	ST41M	Ø40 Locking Collar	4	

Machines from 2021

Haulm Roller (with scroll shaft)

Assy No 64756A



4.14a

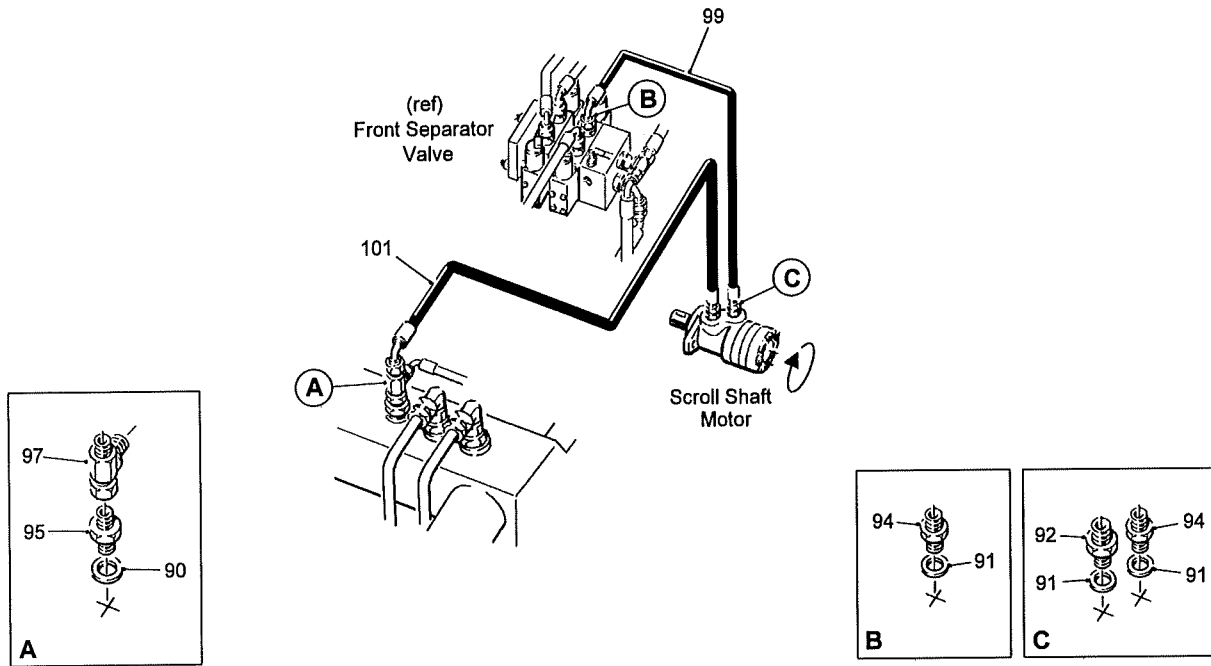
T2 SPARE PARTS

Machines from 2021

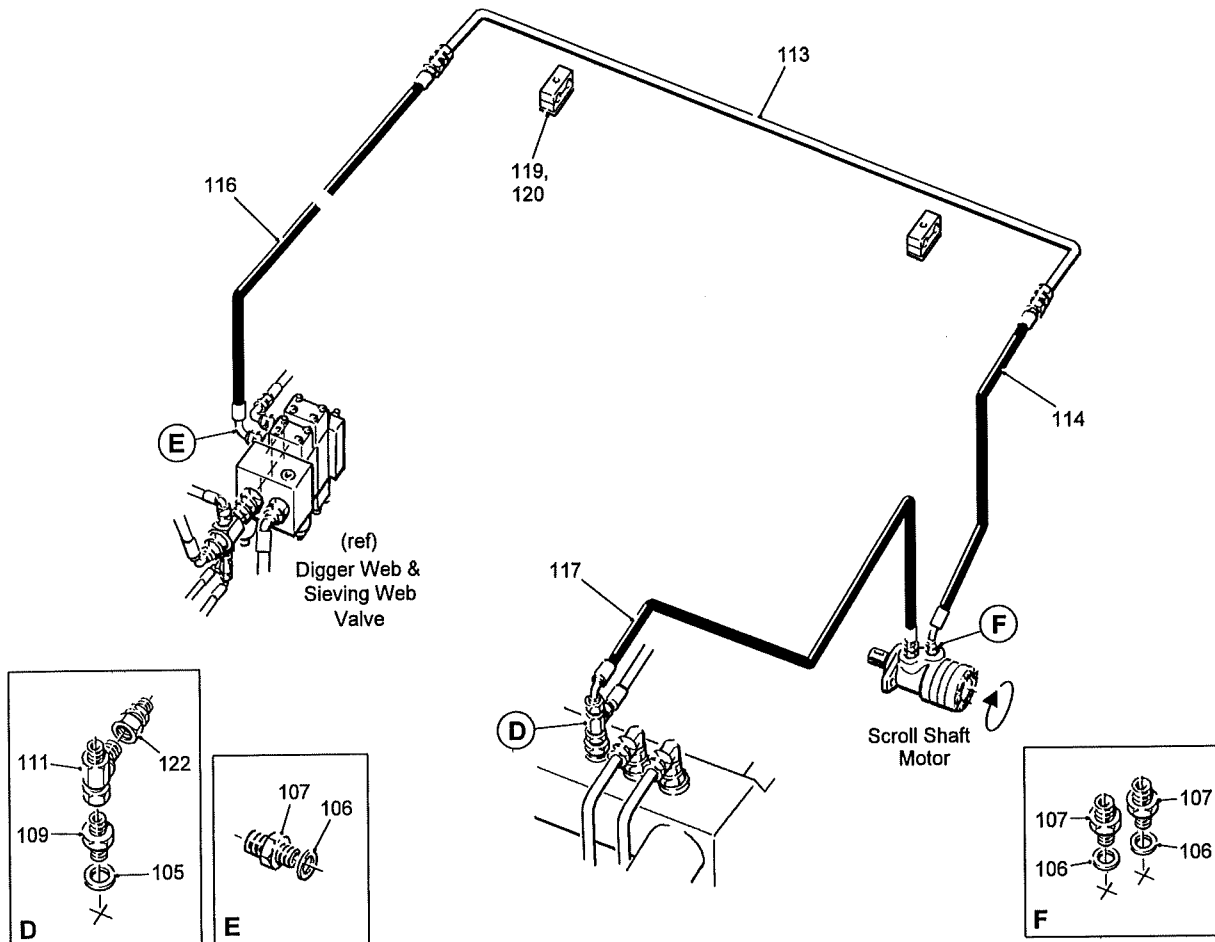
Haulm Roller (with scroll shaft)

Assy No 64756A

Scroll shaft hydraulics used on build 64754A.



Scroll shaft hydraulics used on build 64754B.



T2 SPARE PARTS**4.14b**

Machines from 2021

Haulm Roller (with scroll shaft)**Assy No 64756A**

Item	Part No.	Description	Qty.	Remarks
1	11648	Tension Spring	2	
2				
3	27521	Haulm Finger Weight	9	
4				
5	32037/1	Proximity Sensor	2	
6				
7	32037/4	Sensor Cable (10m)	2	
8				
9	33130/16	Ø50 External Circlip	2	
10	RPVLD2512	Ø13-20mm Hose Clip	9	
11	42781	Pivot Bush	4	
12	42888	Spring Tensioner	2	
13	64939/800	Plastic Cover	9	
14	44122	Pivot Boss	9	
15	46855	Hydraulic Motor	1	Was 44563
16	46563	Ø55 External Circlip	2	
17	46564	Ø90 Internal Circlip	2	
18				
19	54327	Top Link Assembly	2	
20				
21	56209	Pivot Boss	2	
22	56221	Mounting Bracket LH	1	
23	56222	Mounting Bracket RH	1	
24				
25	59116C	Adjuster Shaft	1	
26	59117A	Haulm Finger Mounting	1	
27	59122	Scraper	2	
28	59151	Sensor Disc	1	
29	59803	Hydraulic Motor	1	
30	59934C	LH Cavity Scroll (X = 10mm)	4	LH Solid Scroll 59934S
31	59935C	RH Cavity Scroll (X = 10mm)	5	RH Solid Scroll 59935S
32				
33				
34				
35				
36	70084	End Cap (Ø55 bore)	1	Prior to 2022 was 62286 x1
37	70084	End Cap (Ø55 bore)	1	Prior to 2022 was 62287 x2
38				
39				
40	64569	Rubber Haulm Roller	1	
41	64577	Scroll Shaft	1	
42	64582	Scraper Mounting	1	
43	64659	Sensor Bracket	2	
44	64736	Support Bracket LH	1	
45	64737	Support Bracket RH	1	
46	64738	Mounting Bracket LH	1	
47	64739	Mounting Bracket RH	1	
48	64740	Mounting Plate	2	
49	64741	Guide Bush	2	
50	64757	Sensor Disc	1	
51	64758	Haulm Finger	9	
52	64778	Top Hat Spacer	2	

4.14c

T2 SPARE PARTS

Machines from 2021

Haulm Roller (with scroll shaft)

Assy No 64756A

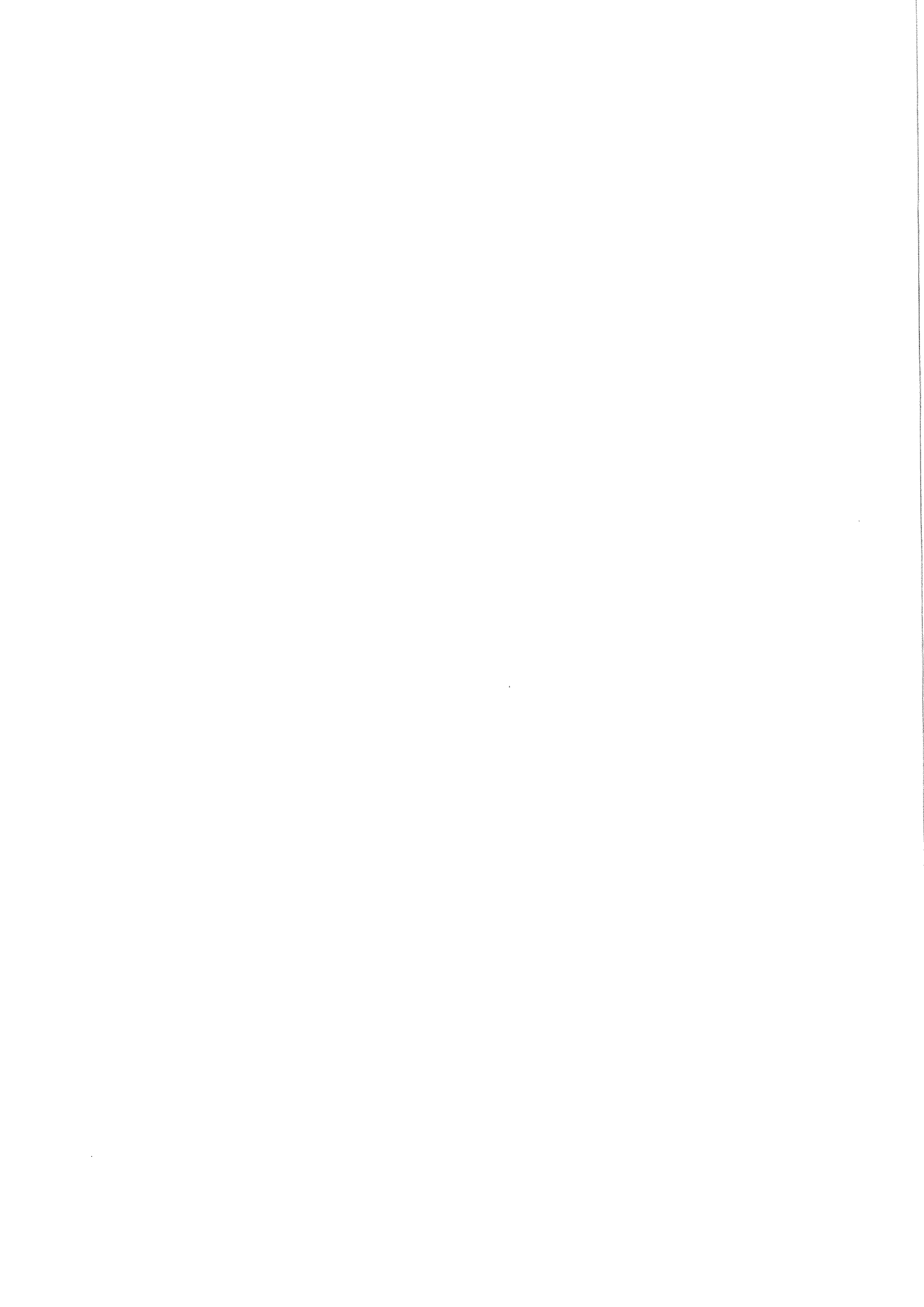
Item	Part No.	Description	Qty.	Remarks
53	64789	Link	2	
54	64791	Adjuster Mounting Bracket	1	
55	64836	Filler Plate	2	
56	64837	Stainless Panel LH	1	
57	64838	Stainless Panel RH	1	
58	64994	Top Link Retaining Bracket	2	
59				
60				
61				
62				
63				
64	1150/50	Bearing	1	
65				
66	6207RS	Bearing	4	
67	6210RS	Bearing	2	
68				
69	22034012	M12 Half Nut	2	
70	22034020	M20 Half Nut	2	
71	22015012/040BZP	M12x40 Cap Head Screw	2	
72	22018008/010	M8x10 Grub Screw	2	
73				
74	RPC648.081250	M8 Grease Nipple Straight	5	
75				
76	SFT50	Bearing	2	
77				
78	SS030017/045	Steel Spacer	1	
79				
80				
81				
82	W0118	Ø35 External Circlip	2	
		Scroll Shaft Hydraulics Used On Build 64754A Consist Of:		
90	11122	1"BSP Dowty Seal	1	
91	11124	1/2"BSP Dowty Seal	3	
92	11295	1/2"BSPx3/4"BSP M M Adaptor	1	
93				
94	12315	1/2"BSP M M Adaptor	2	
95	12560	3/4"BSPx1"BSP M M Adaptor	1	
96				
97	32512	3/4"BSP F M M Tee	1	
98				
99	60250	1/2"Hose Assembly (1300mm)	1	
100				
101	71030	3/4"Hose Assembly (2150mm)	1	
		Scroll Shaft Hydraulics Used On Build 64754B Consist Of:		
105	11122	1"BSP Dowty Seal	1	
106	11124	1/2"BSP Dowty Seal	3	
107	11295	1/2"BSPx3/4"BSP M M Adaptor	3	

T2 SPARE PARTS**4.14d**

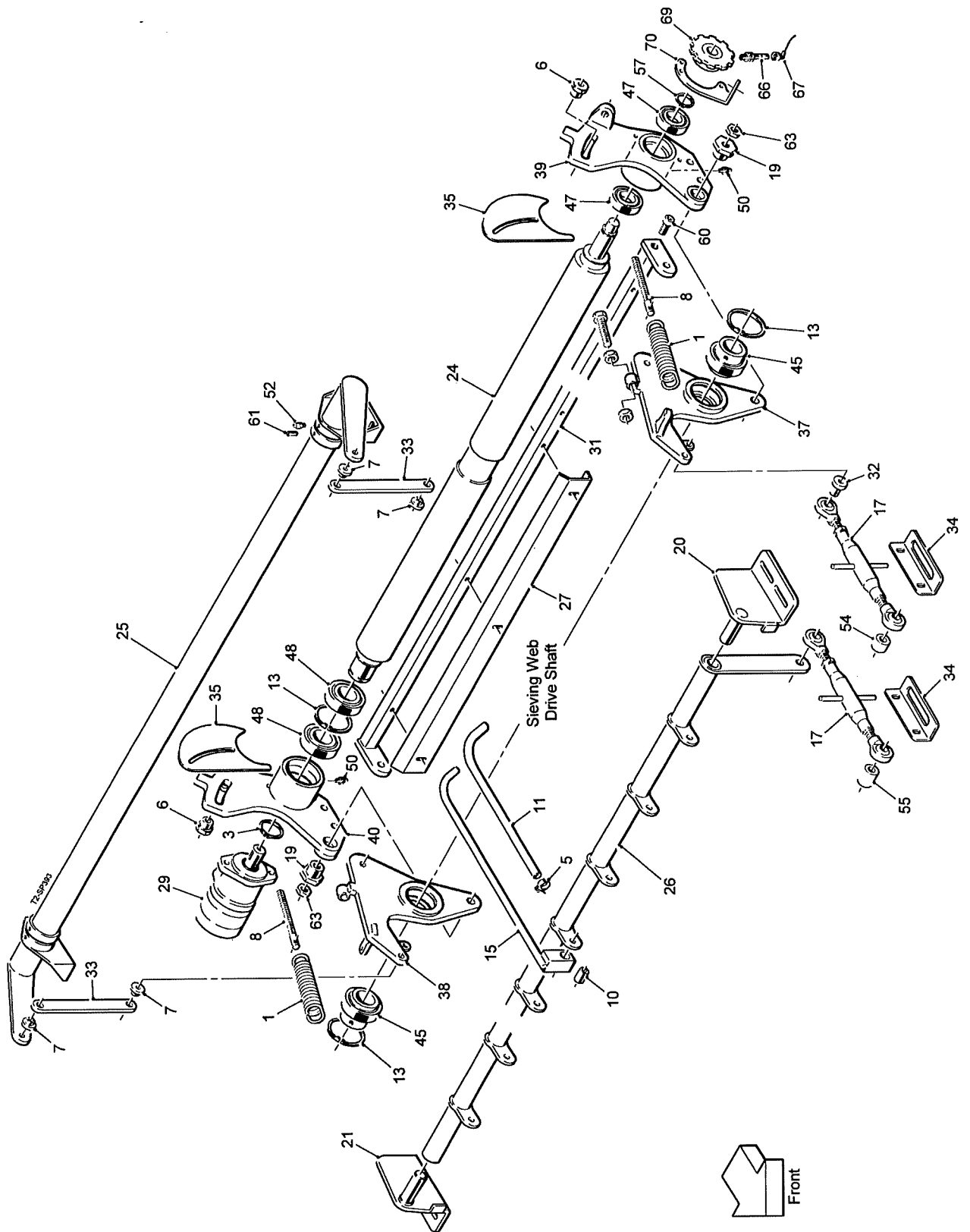
Machines from 2021

Haulm Roller (with scroll shaft)**Assy No 64756A**

Item	Part No.	Description	Qty.	Remarks
108				
109	12560	3/4"BSPx1"BSP M M Adaptor	1	
110				
111	32512	3/4"BSP F M M Tee		
112				
113	60961	Ø25 Steel Pipe Assembly	1	
114	60981	3/4"Hose Assembly (1050mm)	1	
115				
116	71028	3/4"Hose Assembly (3850mm)	1	
117	71029	3/4"Hose Assembly (2150mm)	1	
118				
119	RPC654.300948/2	Pipe Clamp (25-25)	2 pairs	
120	RPC654.300948/3	Clamp Plate	2	
121				
122	TBMW659	1/2"BSP Mx3/4"BSPF Swivel Adaptor	1	



Haulm Roller (without scroll shaft)
Assy No 70111



4.15a

T2 SPARE PARTS

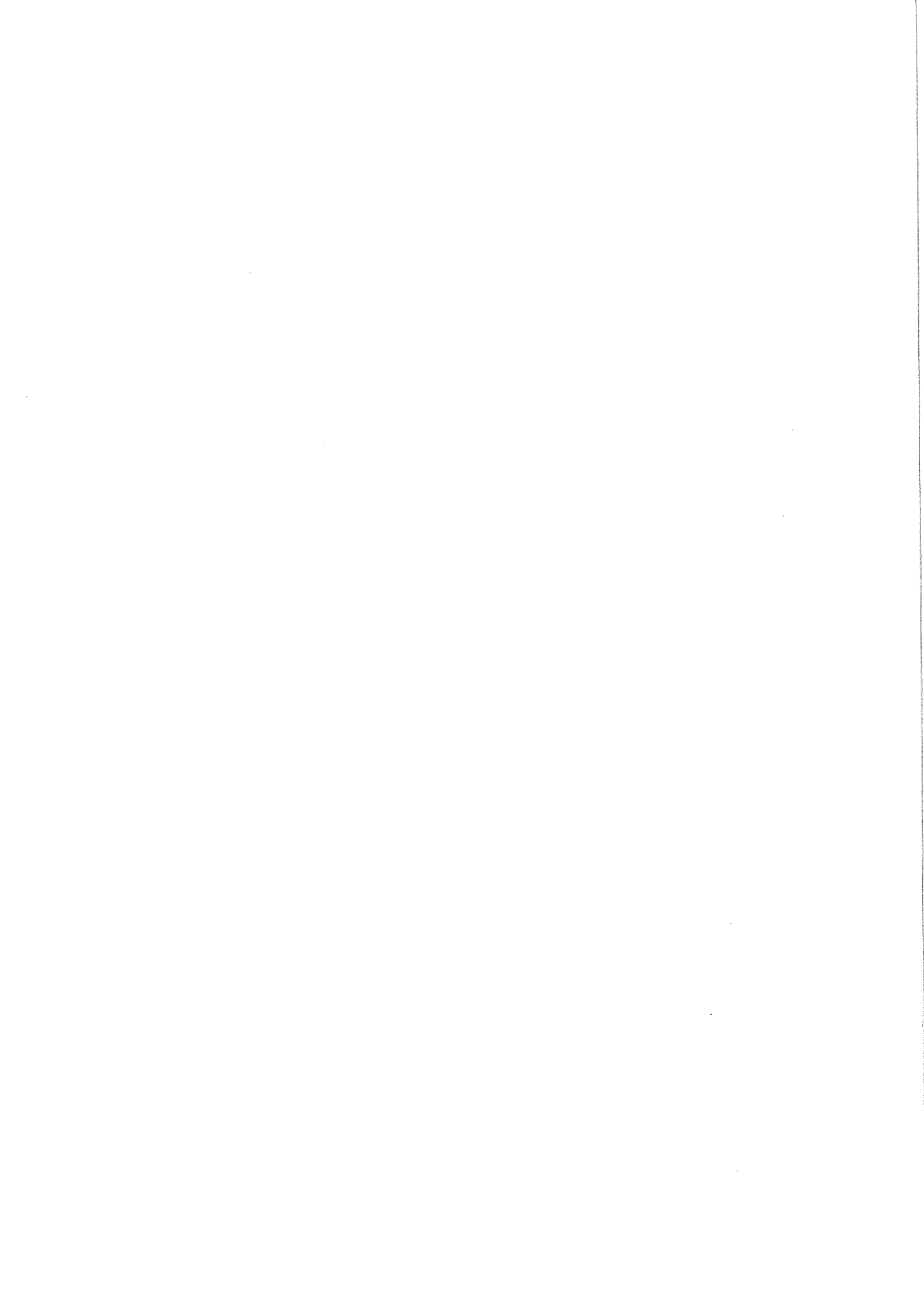
Haulm Roller (without scroll shaft)

Assy No 70111

Item	Part No.	Description	Qty.	Remarks
1	11648	Tension Spring	2	
2				
3	33130/16	Ø50 External Circlip	1	
4				
5	RPVLD2512	13mm-20mm Jubilee Clip	9	
6	42778	Guide Bush	2	
7	42781	Pivot Bush	4	
8	42800	Spring Tensioner	2	
9				
10	44122	Pivot Boss	9	
11	44159	Plastic Cover	9	
12				
13	46564	Ø90 Internal Circlip	3	
14				
15	51052	Haulm Finger	9	
16				
17	54327	Top Link Assembly	2	
18				
19	56209	Pivot Boss	2	
20	56221	Mounting Bracket LH	1	
21	56222	Mounting Bracket RH	1	
22				
23				
24	59114A	Haulm Roller	1	
25	59116C	Adjuster Shaft	1	
26	59117A	Haulm Finger Mounting	1	
27	59122	Scraper	2	
28				
29	59803	Hydraulic Motor	1	
30				
31	59121A	Scraper Mounting	1	
32	64778	Top Hat Spacer	1	
33	64789A	Link	2	
34	64994	Top Link Retaining Bracket	2	
35	64836A	Filler Plate	2	
36				
37	70107	Support Bracket LH	1	
38	70108	Support Bracket RH	1	
39	70109	Mounting Bracket LH	1	
40	70110	Mounting Bracket RH	1	
41				
42				
43				
44				
45	1150-50	Bearing	2	
46				
47	6207RS	Bearing	2	
48	6210RS	Bearing	2	
49				
50	GS412	1/8" BSP Grease Nipple Straight	2	
51				
52	RPC648.081250	M8 Grease Nipple Straight	2	
53				
54	SS030017/025	Steel Spacer	1	
55	SS030017/045	Steel Spacer	1	

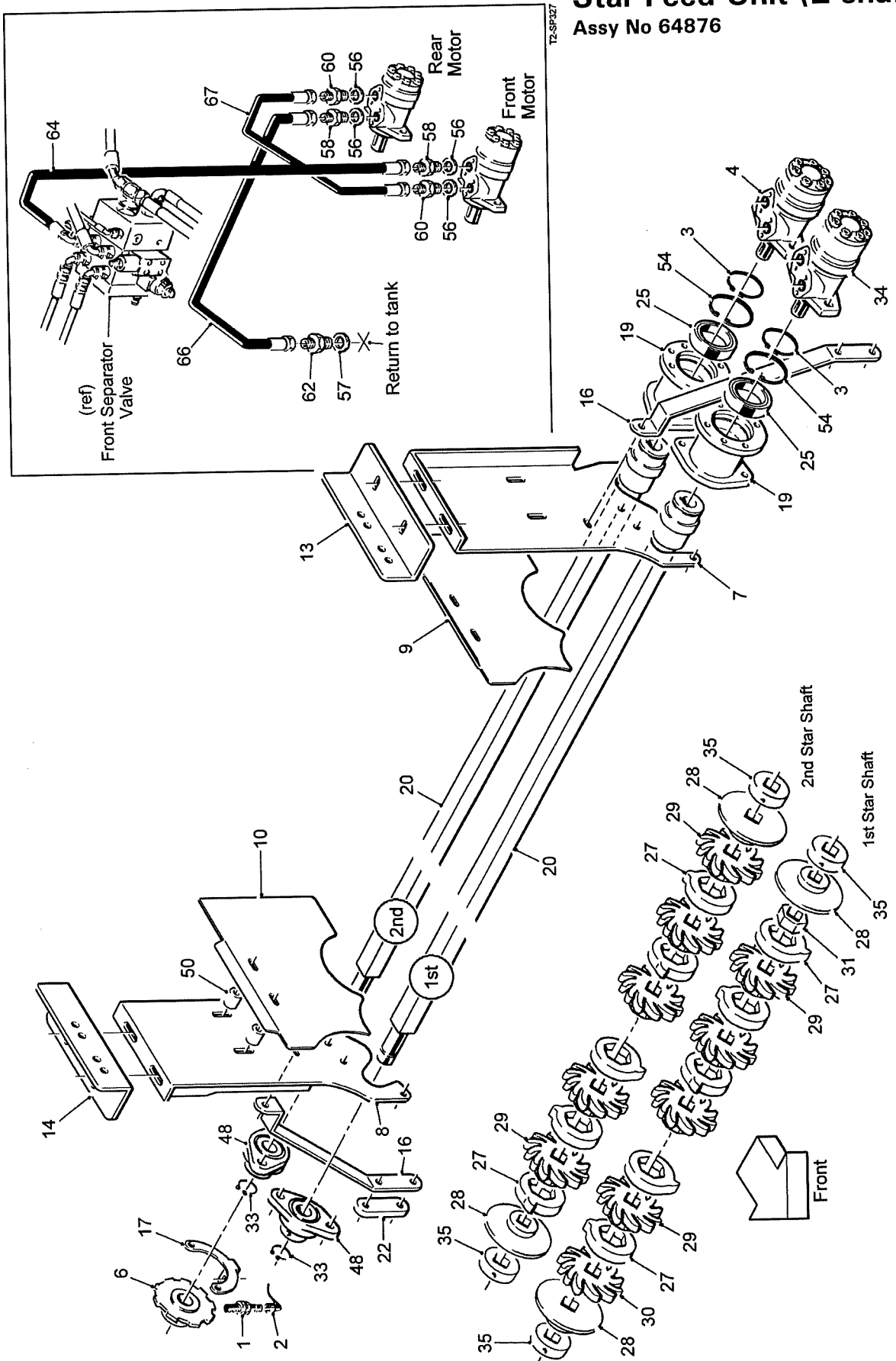
T2 SPARE PARTS**4.15b****Haulm Roller (without scroll shaft)****Assy No 70111**

Item	Part No.	Description	Qty.	Remarks
56	W0118	Ø35 External Circlip	1	
57				
58				
59				
60	22015016/045	M16x45 Socket Head Cap Screw	2	
61	22018008/010	M8x10 Grub Screw	2	
62				
63	22034020	M20 Half Nut	2	
64				
65				
66	32037/1	Proximity Sensor	1	
67	32037/4	Sensor Cable (10m)	1	
68				
69	59151	Sensor Disc	1	
70	59476	Sensor Bracket	1	



Machines from 2021

Star Feed Unit (2 shafts) Assy No 64876



5.2a

T2 SPARE PARTS

Machines from 2021

Star Feed Unit (2 shafts)

Assy No 64876

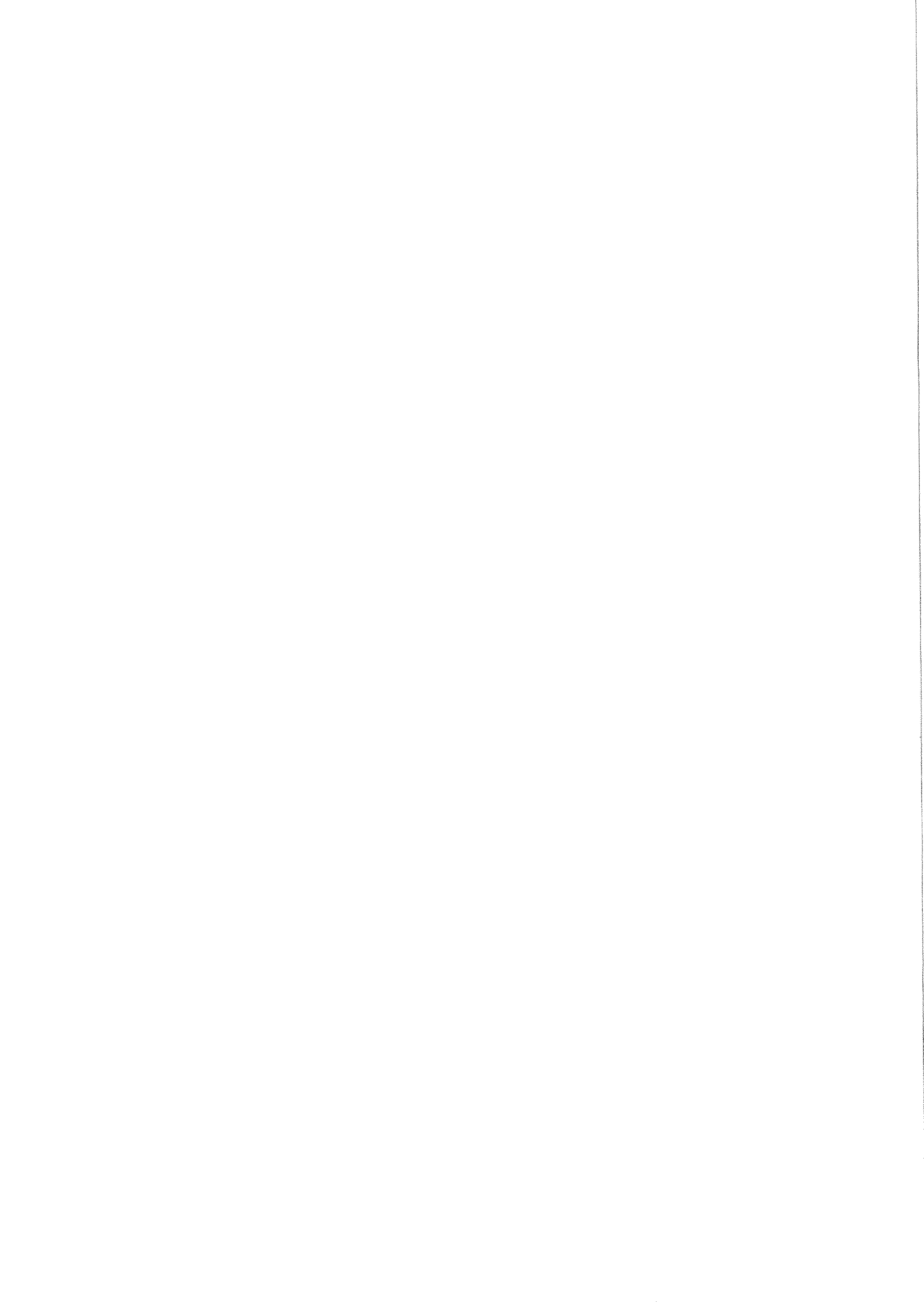
Item	Part No.	Description	Qty.	Remarks
1	32037/1	Proximity Sensor	1	
2	32037/2	Sensor Cable (5m)	1	
3	33130/16	Ø50 External Circlip	2	
4	46855	Hydraulic Motor (rear)	1	
5				
6	59277	Sensor Disc	1	
7	64877	LH Panel	1	
8	64878	RH Panel	1	
9	64881	LH Stainless Steel Panel	1	
10	64882	RH Stainless Steel Panel	1	
11				
12				
13	64879	LH Mounting Angle	1	
14	64880	RH Mounting Angle	1	
15				
16	64883	Brace	2	
17	62897	Sensor Bracket	1	
18				
19	64079	Motor Mounting	2	
20	64080	Star Shaft	2	
21				
22	64849	Clamp Plate	2	
23				
24				
25	60102RS	Bearing	2	
26				
27	RPC700.309550	Cam Ring	96	
28	RPC700.310221	End Disc	4	
29	RPC700.310541	14 Finger Durocam Star	96	
30	RPC700.311776	14 Finger Durocam Star (narrow)	1	
31	RPC700.311777	Star Spacer	1	
32				
33	RPF200.035250	Ø35 External Circlip	2	
34	RPH850.306210	Hydraulic Motor (front)	1	
35	RPM226.311775	Collar	4	
36				
37				
38				
39				
40				
41				
42				
43				
44				
45				
46				
47				
48	SFT35	Bearing	2	
49				
50	SS025013/040	Steel Spacer	4	
51				
52				
53				
54	W0161	Ø80 Internal Circlip	2	
55				

T2 SPARE PARTS**5.2b**

Machines from 2021

Star Feed Unit (2 shafts)**Assy No 64876**

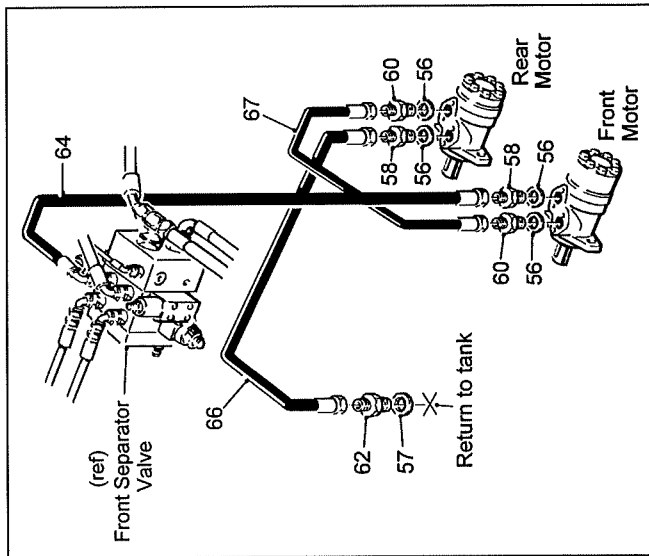
Item	Part No.	Description	Qty.	Remarks
		Hydraulic Components Consist Of:		
56	11124	1/2"BSP Dowty Seal	4	
57	11122	1"BSP Dowty Seal	1	
58	11295	1/2"BSPx3/4"BSP M M Adaptor	2	
59				
60	12315	1/2"BSP M M Adaptor	2	
61				
62	12560	3/4"BSPx1"BSP M M Adaptor	1	
63				
64	60306	3/4"Hose Assembly (1300mm)	1	
65				
66	60719	3/4"Hose Assembly (2350mm)	1	
67	60566	1/2"Hose Assembly (500mm)	1	



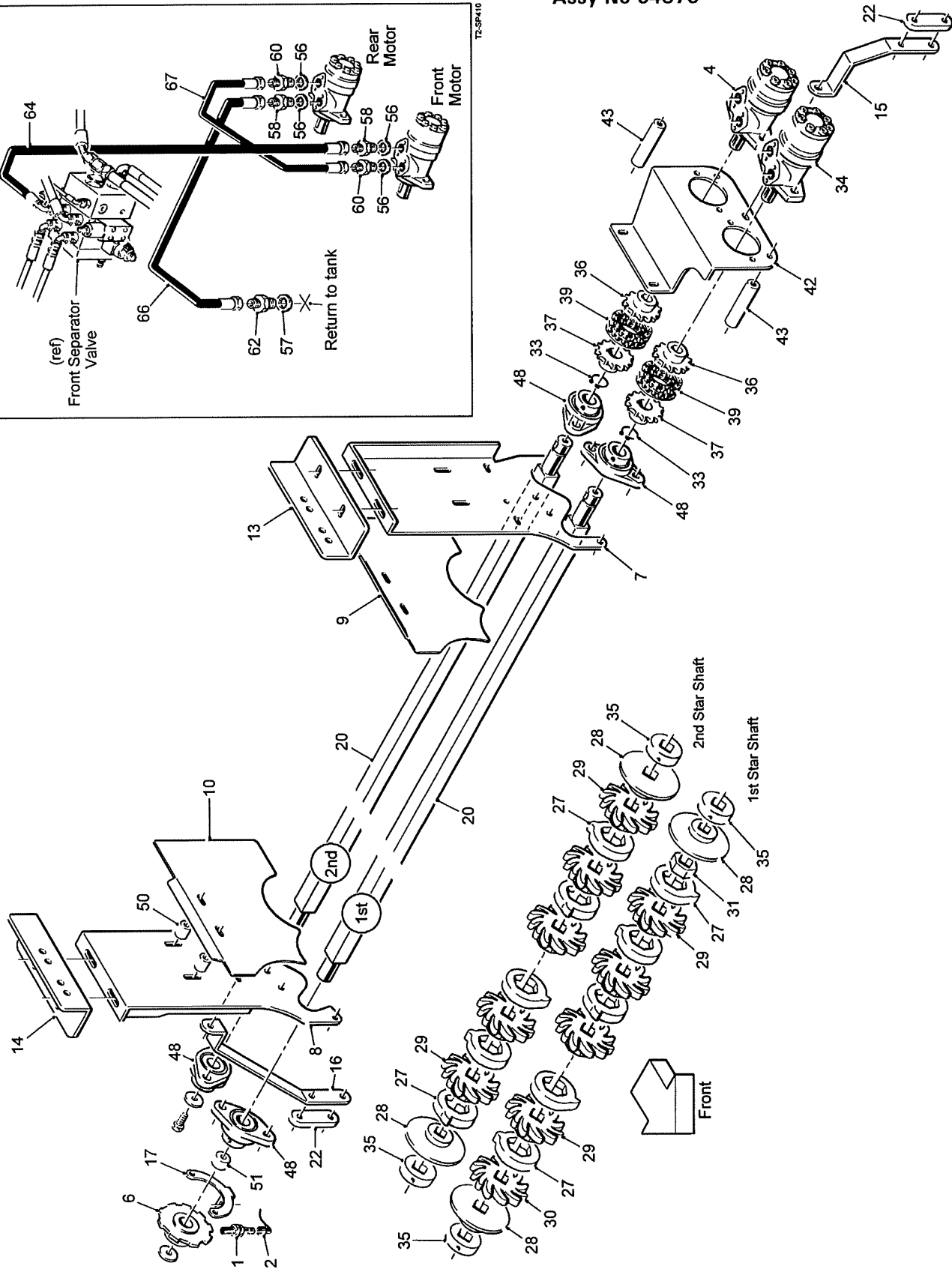
Machines from 2023

Star Feed Unit (2 shafts)

Assy No 64876



T2-SP410



5.2a

T2 SPARE PARTS

Machines from 2023

Star Feed Unit (2 shafts)

Assy No 64876

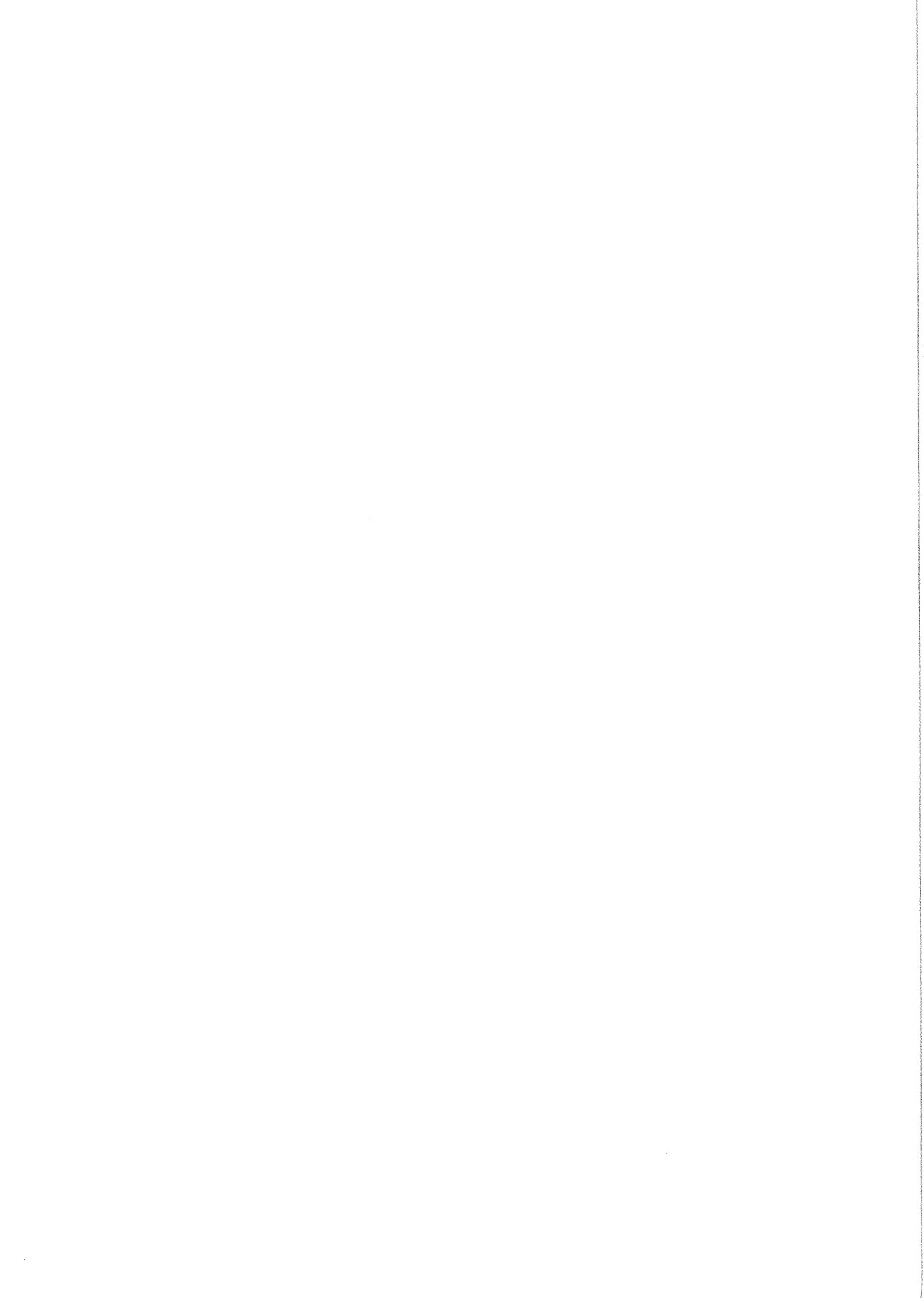
Item	Part No.	Description	Qty.	Remarks
1	32037/1	Proximity Sensor	1	
2	32037/4	Sensor Cable (10m)	1	
3				
4	46855	Hydraulic Motor (rear)	1	
5				
6	59277	Sensor Disc	1	
7	64877	LH Panel	1	
8	64878	RH Panel	1	
9	64881	LH Stainless Steel Panel	1	
10	64882	RH Stainless Steel Panel	1	
11				
12				
13	64879	LH Mounting Angle	1	
14	64880	RH Mounting Angle	1	
15	64883C	Brace	1	
16	64883	Brace	1	
17	62897	Sensor Bracket	1	
18				
19				
20	64080A	Star Shaft	2	
21				
22	64849	Clamp Plate	2	
23				
24				
25				
26				
27	RPC700.309550	Cam Ring	96	
28	RPC700.310221	End Disc	4	
29	RPC700.310541	14 Finger Durocam Star	96	
30	RPC700.311776	14 Finger Durocam Star (narrow)	1	
31	RPC700.311777	Star Spacer	1	
32				
33	RPF200.035250	Ø35 External Circlip	2	
34	RPH850.306210	Hydraulic Motor (front)	1	
35	RPM226.311775	Collar	4	
36	RPM182.303035	12T 3/4"Pitch Sprocket (Ø25)	2	
37	RPM182.310743	12T 3/4"Pitch Sprocket (Ø35)	2	
38				
39	RPT738.600012	3/4"Pitch Duplex Drive Chain	2	
40				
41				
42	70204A	Motor Mounting	1	
43	70206	Spacer Bar	2	
44				
45				
46				
47				
48	SFT35	Bearing	4	
49				
50	SS025013/040	Steel Spacer	4	
51	SS035011/027	Steel Spacer	1	
52				
53				
54				
55				

T2 SPARE PARTS**5.2b**

Machines from 2023

Star Feed Unit (2 shafts)**Assy No 64876**

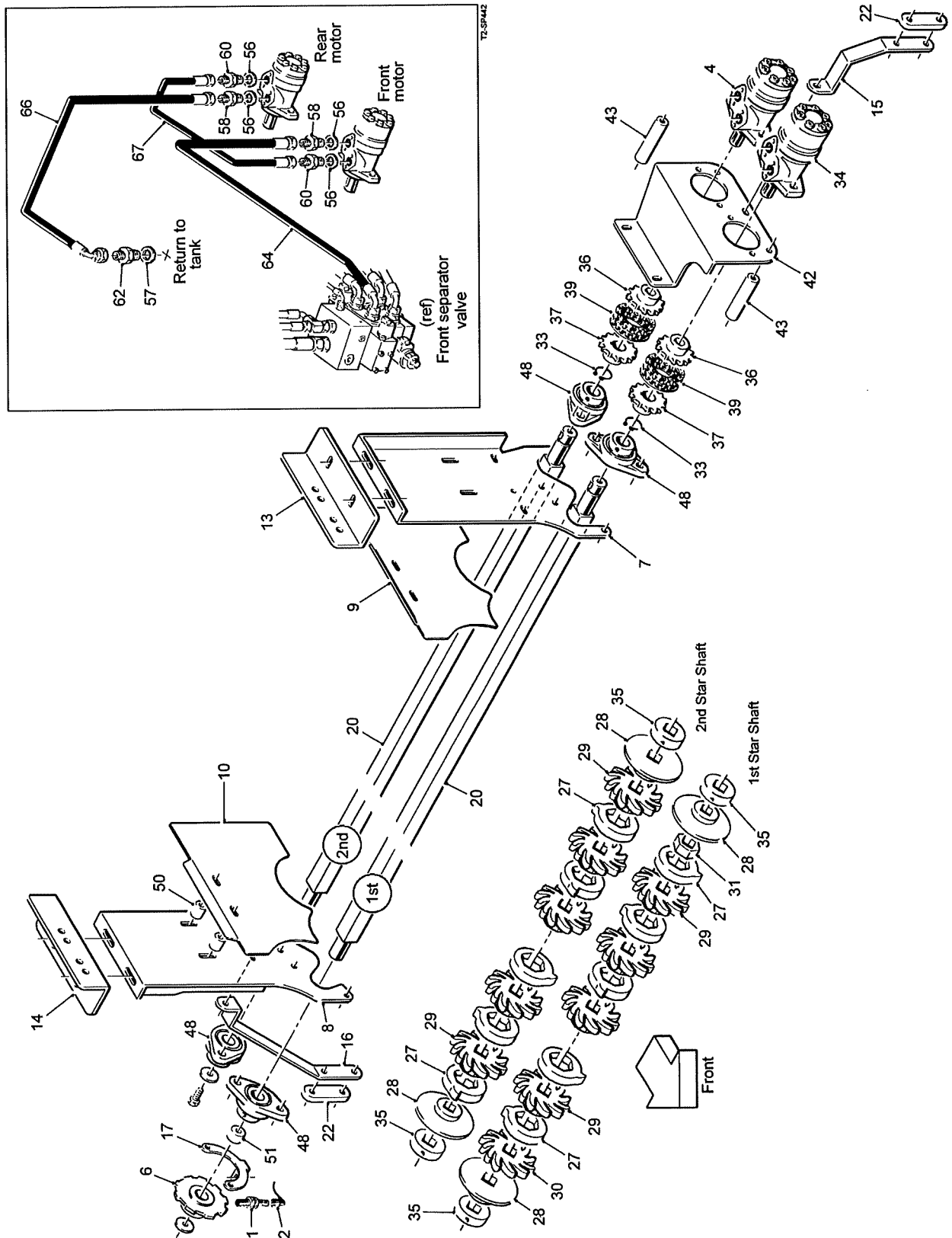
Item	Part No.	Description	Qty.	Remarks
		Hydraulic Components Consist Of:		
56	11124	1/2"BSP Dowty Seal	4	
57	11122	1"BSP Dowty Seal	1	
58	11295	1/2"BSPx3/4"BSP M M Adaptor	2	
59				
60	12315	1/2"BSP M M Adaptor	2	
61				
62	12560	3/4"BSPx1"BSP M M Adaptor	1	
63				
64	60306	3/4"Hose Assembly (1300mm)	1	
65				
66	60044	3/4"Hose Assembly (2500mm)	1	Was 60719
67	60566	1/2"Hose Assembly (500mm)	1	



Machines from Serial No T2-288

Star Feed Unit (2 shafts)

Assy No 64876



5.2a

T2 SPARE PARTS

Machines from Serial No T2-288

Star Feed Unit (2 shafts)

Assy No 64876

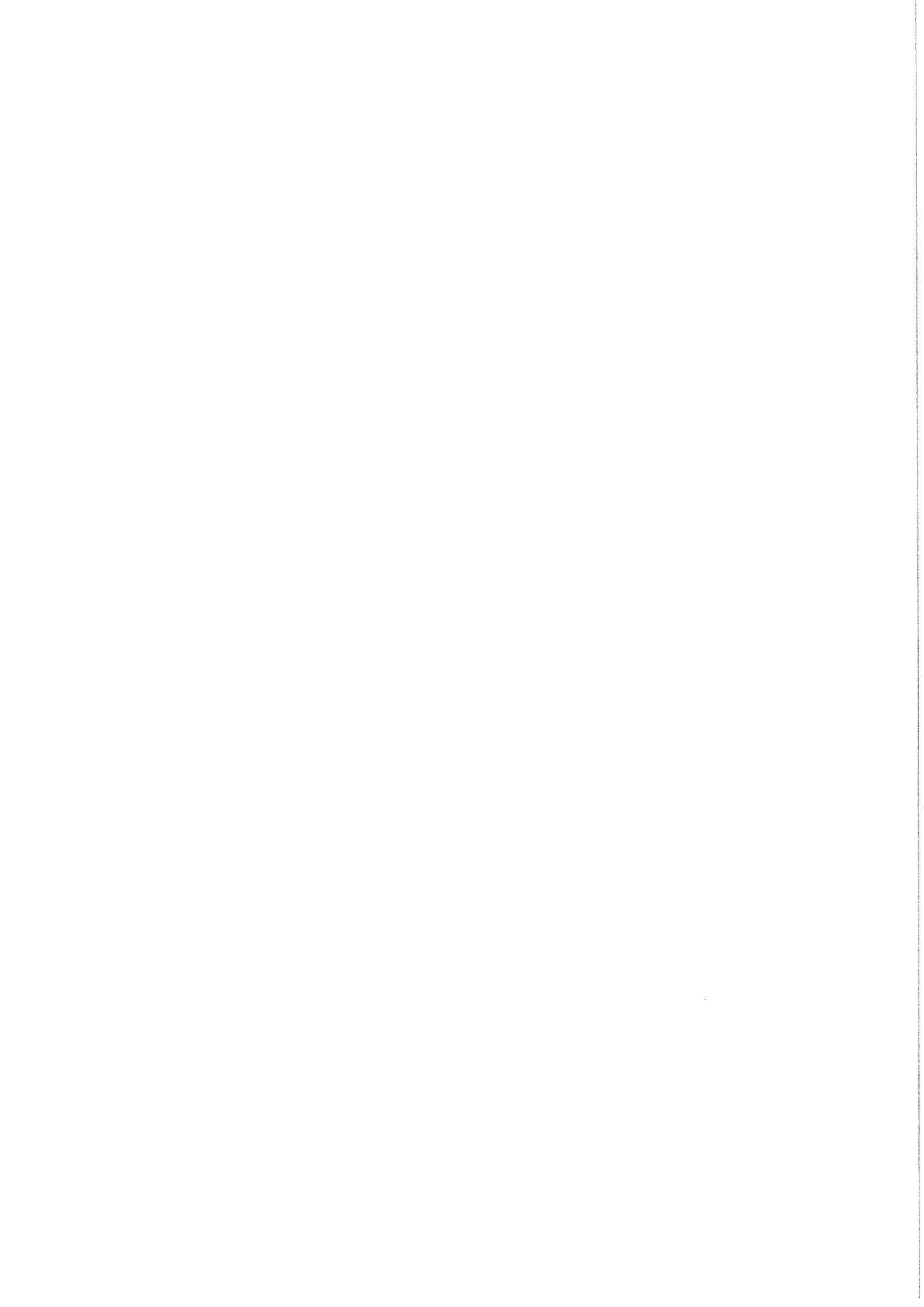
Item	Part No.	Description	Qty.	Remarks
1	32037/1	Proximity Sensor	1	
2	32037/4	Sensor Cable (10m)	1	
3				
4	46855	Hydraulic Motor (rear)	1	
5				
6	59277	Sensor Disc	1	
7	64877	LH Panel	1	
8	64878	RH Panel	1	
9	64881	LH Stainless Steel Panel	1	
10	64882	RH Stainless Steel Panel	1	
11				
12				
13	64879	LH Mounting Angle	1	
14	64880	RH Mounting Angle	1	
15	64883C	Brace	1	
16	64883	Brace	1	
17	62897	Sensor Bracket	1	
18				
19				
20	64080A	Star Shaft	2	
21				
22	64849	Clamp Plate	2	
23				
24				
25				
26				
27	RPC700.309550	Cam Ring	96	
28	RPC700.310221	End Disc	4	
29	RPC700.310541	14 Finger Durocam Star	96	
30	RPC700.311776	14 Finger Durocam Star (narrow)	1	
31	RPC700.311777	Star Spacer	1	
32				
33	RPF200.035250	Ø35 External Circlip	2	
34	RPH850.306210	Hydraulic Motor (front)	1	
35	RPM226.311775	Collar	4	
36	RPM182.303035	12T 3/4"Pitch Sprocket (Ø25)	2	
37	RPM182.310743	12T 3/4"Pitch Sprocket (Ø35)	2	
38				
39	RPT738.600012	3/4"Pitch Duplex Drive Chain	2	
40				
41				
42	70204A	Motor Mounting	1	
43	70206	Spacer Bar	2	
44				
45				
46				
47				
48	SFT35	Bearing	4	
49				
50	SS025013/040	Steel Spacer	4	
51	SS035011/027	Steel Spacer	1	
52				
53				
54				
55				

T2 SPARE PARTS**5.2b**

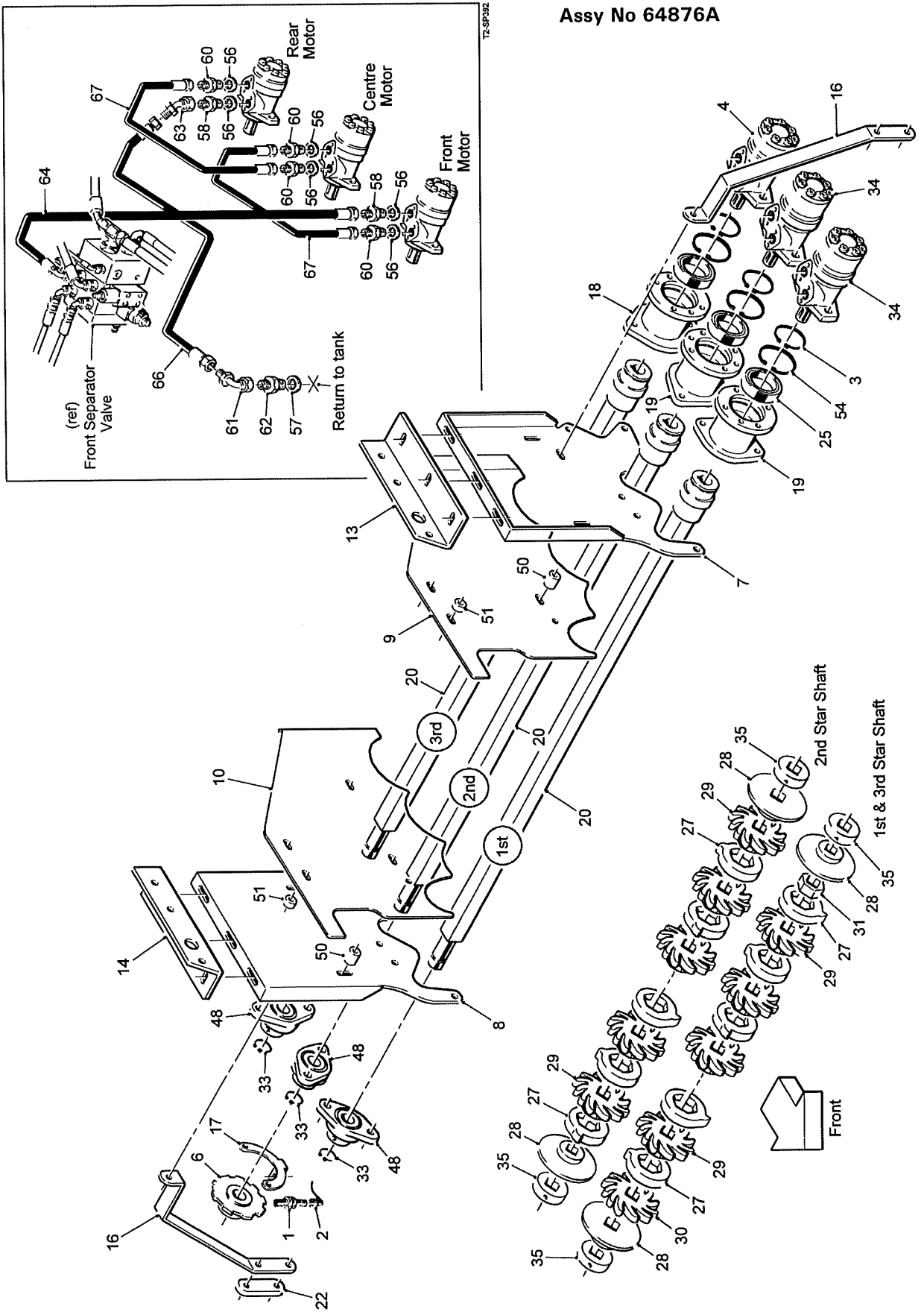
Machines from Serial No T2-288

Star Feed Unit (2 shafts)**Assy No 64876**

Item	Part No.	Description	Qty.	Remarks
		Hydraulic Components Consist Of:		
56	11124	1/2"BSP Dowty Seal	4	
57	11122	1"BSP Dowty Seal	1	
58	11295	1/2"BSPx3/4"BSP M M Adaptor	2	
59				
60	12315	1/2"BSP M M Adaptor	2	
61				
62	12560	3/4"BSPx1"BSP M M Adaptor	1	
63				
64	15015	3/4"Hose Assembly (1700mm)	1	
65				
66	71123	3/4"Hose Assembly (2300mm)	1	
67	60566	1/2"Hose Assembly (500mm)	1	



Star Feed Unit (3 shafts)
Assy No 64876A



5.3a

T2 SPARE PARTS

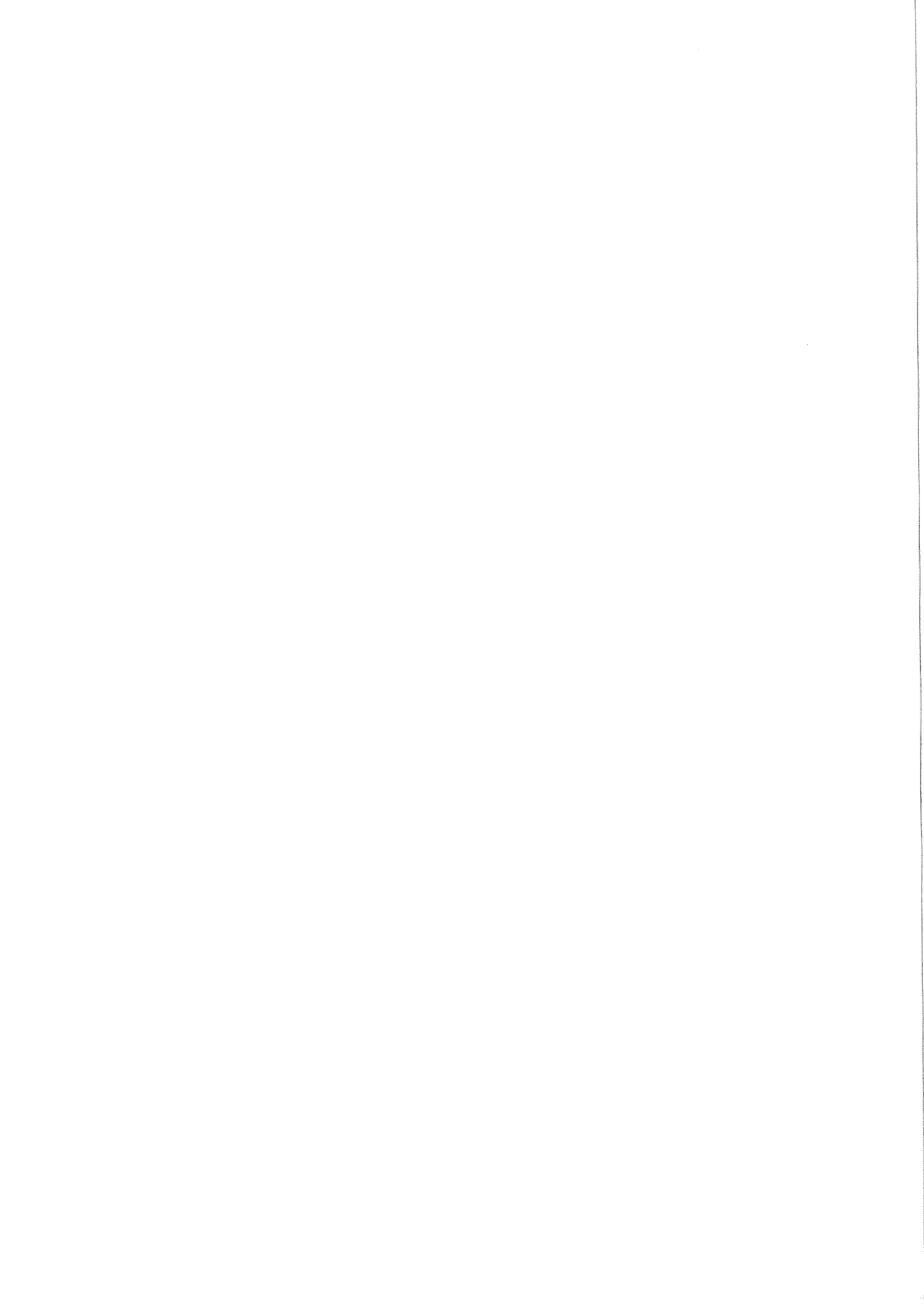
Star Feed Unit (3 shafts)

Assy No 64876A

Item	Part No.	Description	Qty.	Remarks
1	32037/1	Proximity Sensor	1	
2	32037/2	Sensor Cable (5m)	1	
3	33130/16	Ø50 External Circlip	3	
4	46855	Hydraulic Motor (rear)	1	
5				
6	59277	Sensor Disc	1	
7	70112	LH Panel	1	
8	70113	RH Panel	1	
9	64881A	LH Stainless Steel Panel	1	
10	64882A	RH Stainless Steel Panel	1	
11				
12				
13	64879A	LH Mounting Angle	1	
14	64880A	RH Mounting Angle	1	
15				
16	64883A	Brace	2	
17	62897	Sensor Bracket	1	
18				
19	64079	Motor Mounting	3	
20	64080	Star Shaft	3	
21				
22	64849	Clamp Plate	2	
23				
24				
25	60102RS	Bearing	3	
26				
27	RPC700.309550	Cam Ring	144	
28	RPC700.310221	End Disc	6	
29	RPC700.310541	14 Finger Durocam Star	144	
30	RPC700.311776	14 Finger Durocam Star (narrow)	2	
31	RPC700.311777	Star Spacer	2	
32				
33	RPF200.035250	Ø35 External Circlip	3	
34	RPH850.306210	Hydraulic Motor (front & centre)	2	
35	RPM226.311775	Collar	6	
36				
37				
38				
39				
40				
41				
42				
43				
44				
45				
46				
47				
48	SFT35	Bearing	3	
49				
50	SS025009/040	Steel Spacer	4	
51	SS025009/010	Steel Spacer	4	
52				
53				
54	W0161	Ø80 Internal Circlip	3	
55				

T2 SPARE PARTS**5.3b****Star Feed Unit (3 shafts)****Assy No 64876A**

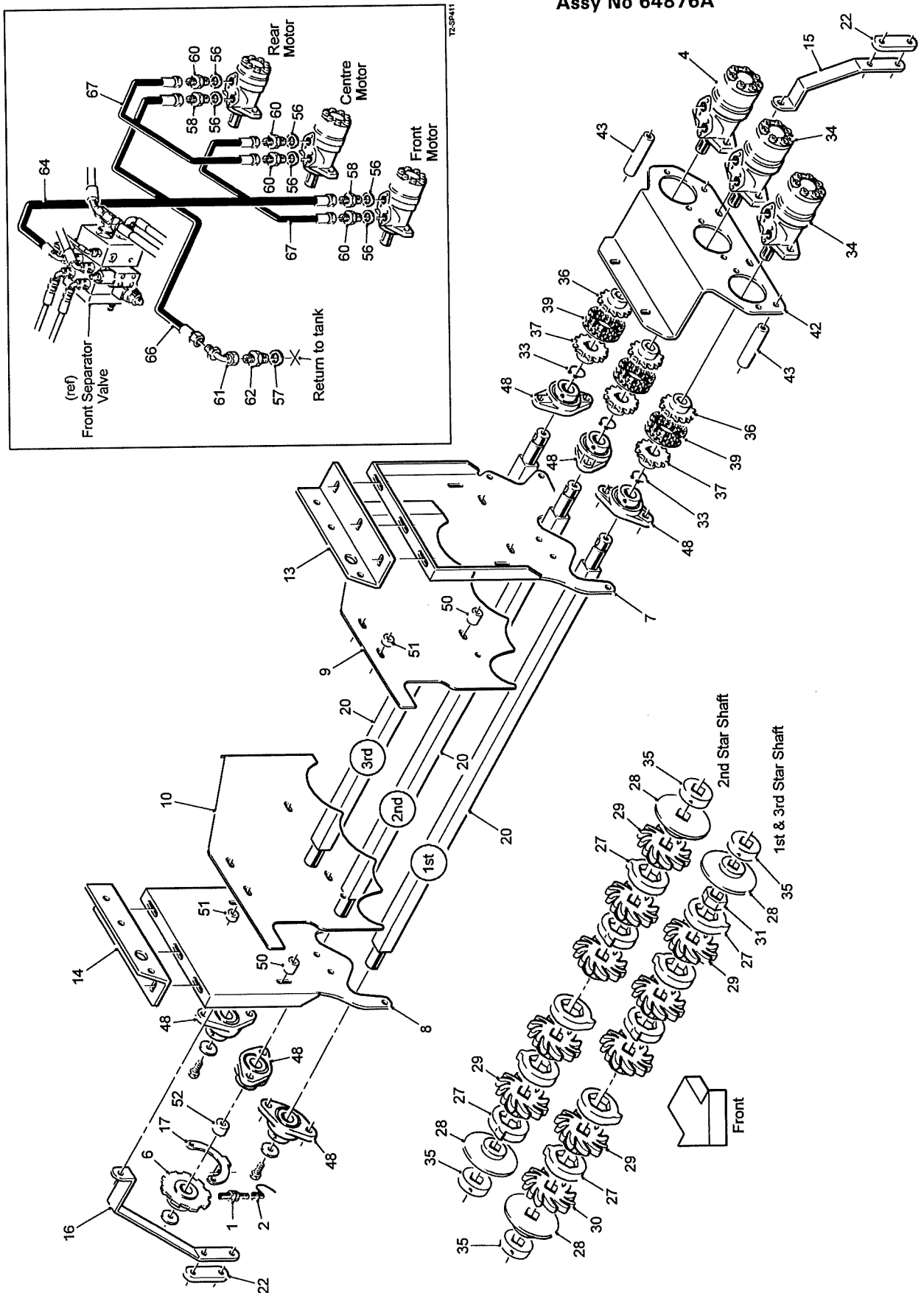
Item	Part No.	Description	Qty.	Remarks
		Hydraulic Components Consist Of:		
56	11124	1/2"BSP Dowty Seal	6	
57	11122	1"BSP Dowty Seal	1	
58	11295	1/2"BSPx3/4"BSP M M Adaptor	2	
59				
60	12315	1/2"BSP M M Adaptor	4	
61	12350	3/4"BSP M F Swept 90° Adaptor	1	
62	12560	3/4"BSPx1"BSP M M Adaptor	1	
63	23575	3/4"BSP M F Swept 45° Adaptor	1	
64	60306	3/4"Hose Assembly (1300mm)	1	
65				
66	60044	3/4"Hose Assembly (2500mm)	1	Was 60719
67	60566	1/2"Hose Assembly (500mm)	2	



Machines from 2023

Star Feed Unit (3 shafts)

Assy No 64876A



5.3a

T2 SPARE PARTS

Machines from 2023

Star Feed Unit (3 shafts)

Assy No 64876A

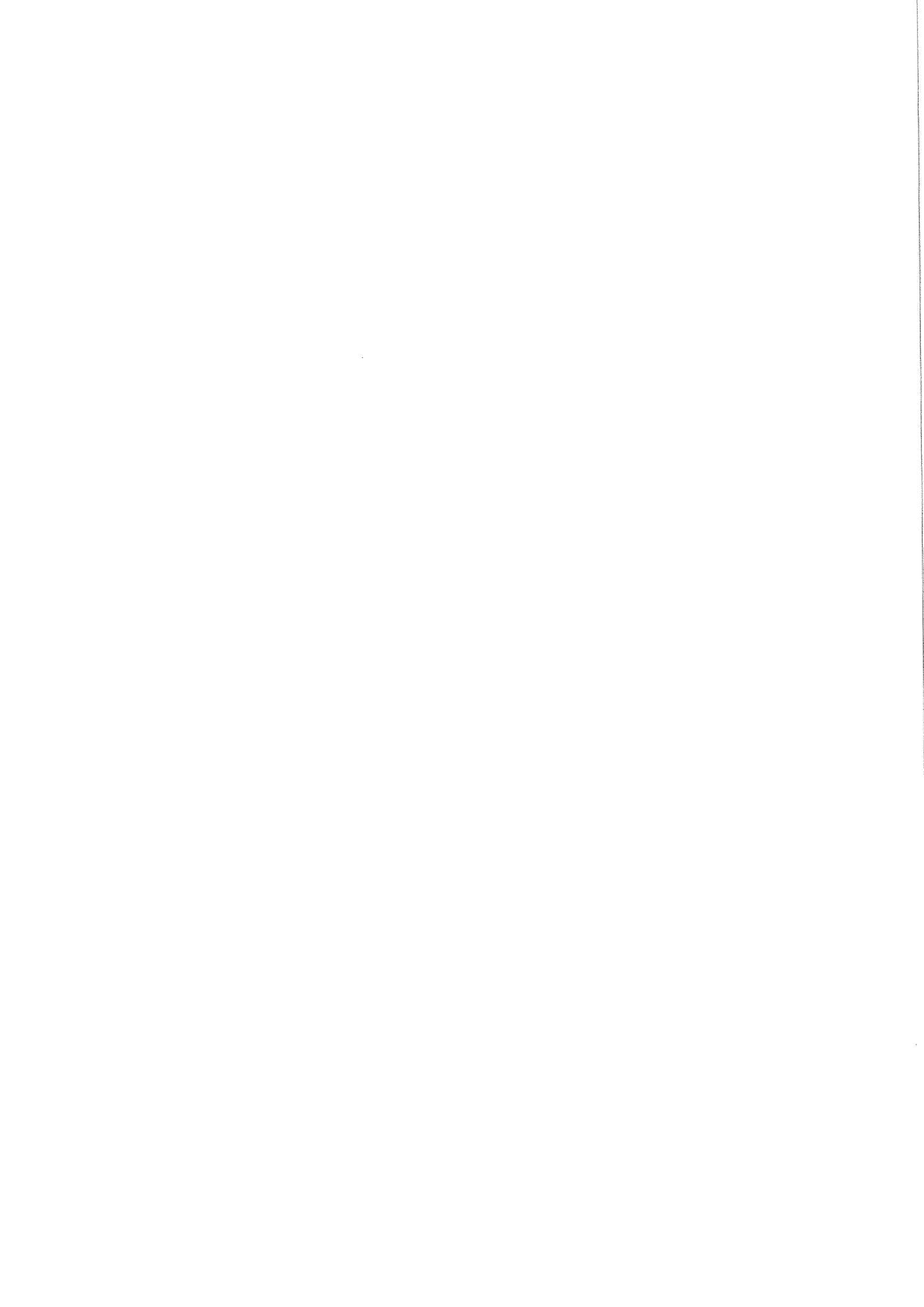
Item	Part No.	Description	Qty.	Remarks
1	32037/1	Proximity Sensor	1	
2	32037/4	Sensor Cable (10m)	1	
3				
4	46855	Hydraulic Motor (rear)	1	
5				
6	59277	Sensor Disc	1	
7	70112	LH Panel	1	
8	70113	RH Panel	1	
9	64881A	LH Stainless Steel Panel	1	
10	64882A	RH Stainless Steel Panel	1	
11				
12				
13	64879A	LH Mounting Angle	1	
14	64880A	RH Mounting Angle	1	
15	64883B	Brace	1	
16	64883A	Brace	1	
17	62897	Sensor Bracket	1	
18				
19				
20	64080A	Star Shaft	3	
21				
22	64849	Clamp Plate	2	
23				
24				
25				
26				
27	RPC700.309550	Cam Ring	144	
28	RPC700.310221	End Disc	6	
29	RPC700.310541	14 Finger Durocam Star	144	
30	RPC700.311776	14 Finger Durocam Star (narrow)	2	
31	RPC700.311777	Star Spacer	2	
32				
33	RPF200.035250	Ø35 External Circlip	3	
34	RPH850.306210	Hydraulic Motor (front & centre))	2	
35	RPM226.311775	Collar	6	
36	RPM182.303035	12T 3/4"Pitch Sprocket (Ø25)	3	
37	RPM182.310743	12T 3/4"Pitch Sprocket (Ø35)	3	
38				
39	RPT738.600012	3/4"Pitch Duplex Drive Chain	3	
40				
41				
42	70204	Motor Mounting	1	
43	70206	Spacer Bar	2	
44				
45				
46				
47				
48	SFT35	Bearing	6	
49				
50	SS025009/040	Steel Spacer	4	
51	SS025009/010	Steel Spacer	4	
52	SS035011/027	Steel Spacer	1	
53				
54				
55				

T2 SPARE PARTS**5.3b**

Machines from 2023

Star Feed Unit (3 shafts)**Assy No 64876A**

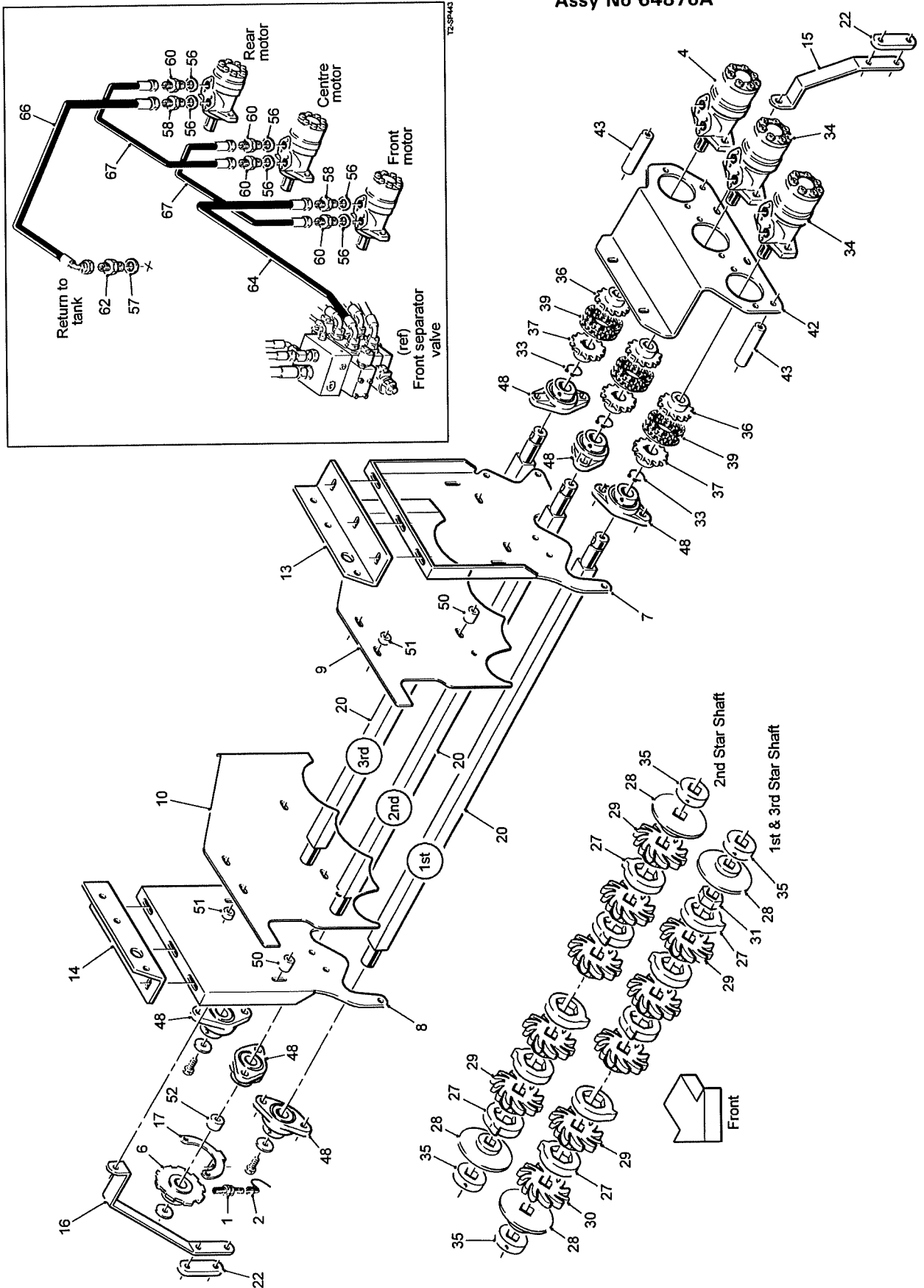
Item	Part No.	Description	Qty.	Remarks
		Hydraulic Components Consist Of:		
56	11124	1/2"BSP Dowty Seal	6	
57	11122	1"BSP Dowty Seal	1	
58	11295	1/2"BSPx3/4"BSP M M Adaptor	2	
59				
60	12315	1/2"BSP M M Adaptor	4	
61	12350	3/4"BSP M F Swept 90° Adaptor	1	
62	12560	3/4"BSPx1"BSP M M Adaptor	1	
63				
64	60306	3/4"Hose Assembly (1300mm)	1	
65				
66	60044	3/4"Hose Assembly (2500mm)	1	Was 60719
67	60566	1/2"Hose Assembly (500mm)	2	



Machines from Serial No T2-288

Star Feed Unit (3 shafts)

Assy No 64876A



5.3a

T2 SPARE PARTS

Machines from Serial No T2-288

Star Feed Unit (3 shafts)

Assy No 64876A

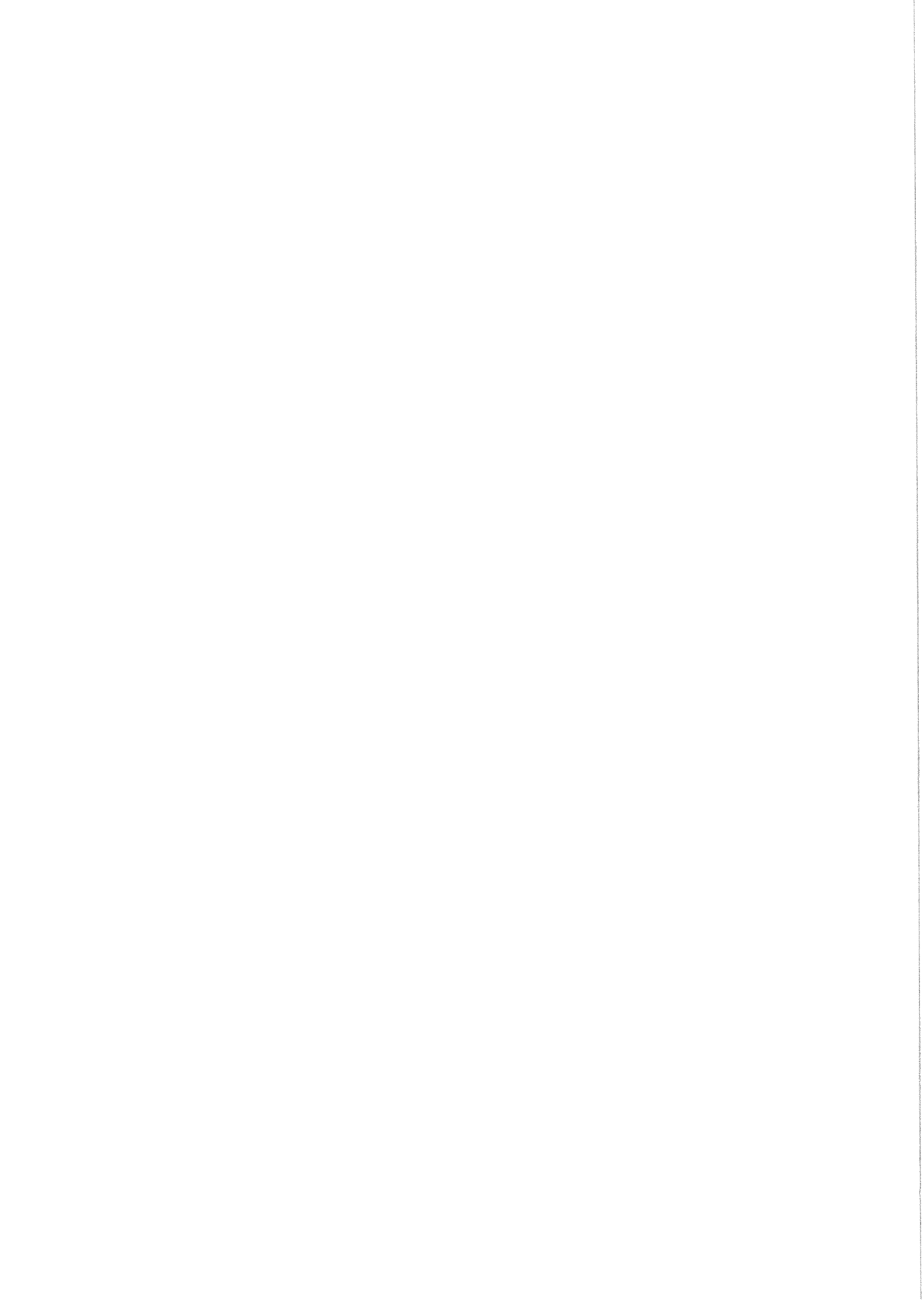
Item	Part No.	Description	Qty.	Remarks
1	32037/1	Proximity Sensor	1	
2	32037/4	Sensor Cable (10m)	1	
3				
4	46855	Hydraulic Motor (rear)	1	
5				
6	59277	Sensor Disc	1	
7	70112	LH Panel	1	
8	70113	RH Panel	1	
9	64881A	LH Stainless Steel Panel	1	
10	64882A	RH Stainless Steel Panel	1	
11				
12				
13	64879A	LH Mounting Angle	1	
14	64880A	RH Mounting Angle	1	
15	64883B	Brace	1	
16	64883A	Brace	1	
17	62897	Sensor Bracket	1	
18				
19				
20	64080A	Star Shaft	3	
21				
22	64849	Clamp Plate	2	
23				
24				
25				
26				
27	RPC700.309550	Cam Ring	144	
28	RPC700.310221	End Disc	6	
29	RPC700.310541	14 Finger Durocam Star	144	
30	RPC700.311776	14 Finger Durocam Star (narrow)	2	
31	RPC700.311777	Star Spacer	2	
32				
33	RPF200.035250	Ø35 External Circlip	3	
34	RPH850.306210	Hydraulic Motor (front & centre)	2	
35	RPM226.311775	Collar	6	
36	RPM182.303035	12T 3/4"Pitch Sprocket (Ø25)	3	
37	RPM182.310743	12T 3/4"Pitch Sprocket (Ø35)	3	
38				
39	RPT738.600012	3/4"Pitch Duplex Drive Chain	3	
40				
41				
42	70204	Motor Mounting	1	
43	70206	Spacer Bar	2	
44				
45				
46				
47				
48	SFT35	Bearing	6	
49				
50	SS025009/040	Steel Spacer	4	
51	SS025009/010	Steel Spacer	4	
52	SS035011/027	Steel Spacer	1	
53				
54				
55				

T2 SPARE PARTS**5.3b**

Machines from Serial No T2-288

Star Feed Unit (3 shafts)**Assy No 64876A**

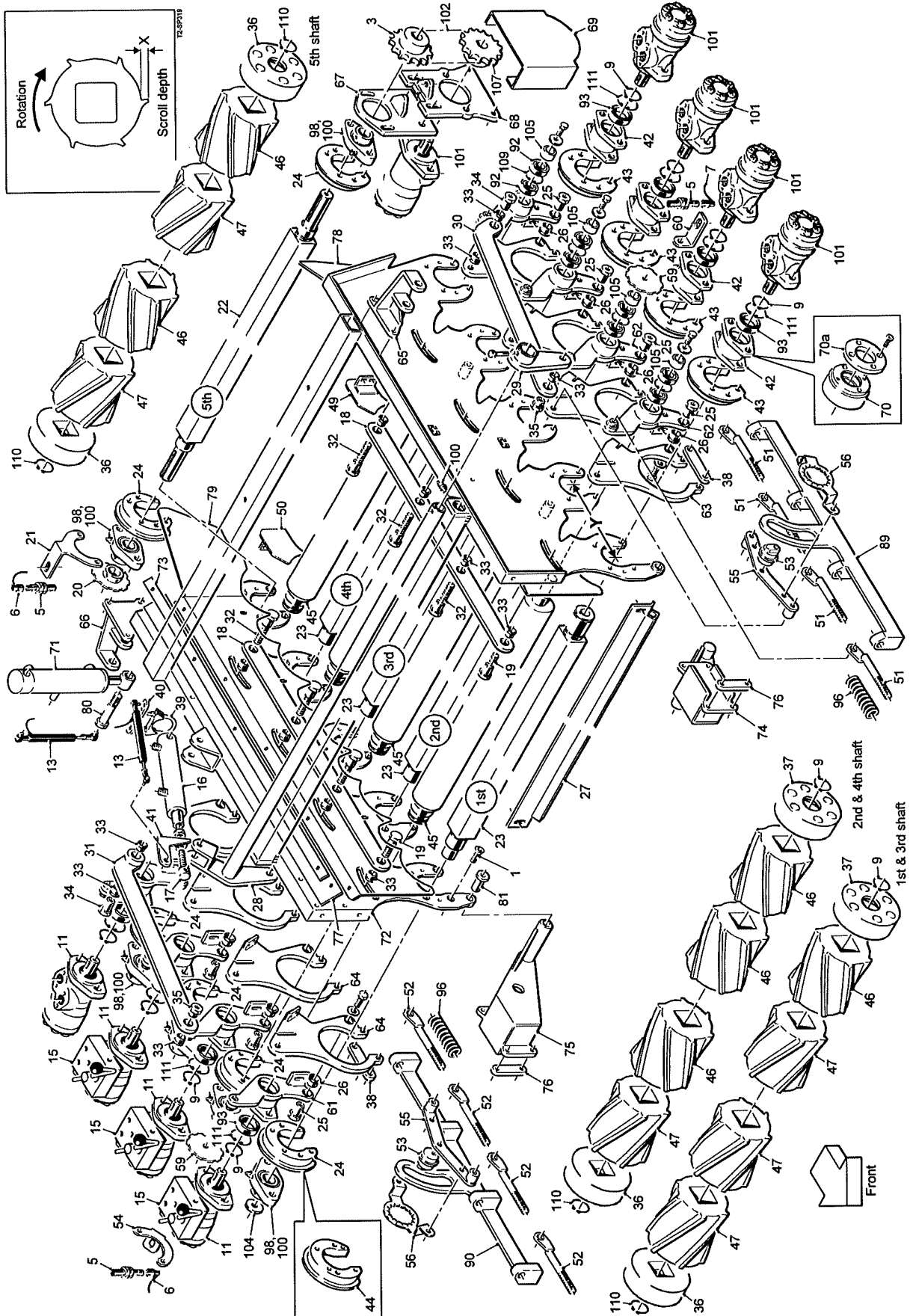
Item	Part No.	Description	Qty.	Remarks
		Hydraulic Components Consist Of:		
56	11124	1/2"BSP Dowty Seal	6	
57	11122	1"BSP Dowty Seal	1	
58	11295	1/2"BSPx3/4"BSP M M Adaptor	2	
59				
60	12315	1/2"BSP M M Adaptor	4	
61				
62	12560	3/4"BSPx1"BSP M M Adaptor	1	
63				
64	15015	3/4"Hose Assembly (1700mm)	1	
65				
66	71123	3/4"Hose Assembly (2300mm)	1	
67	60566	1/2"Hose Assembly (500mm)	2	



Machines from 2021

5R OMEGA (237mm centres)

Assy No 64755



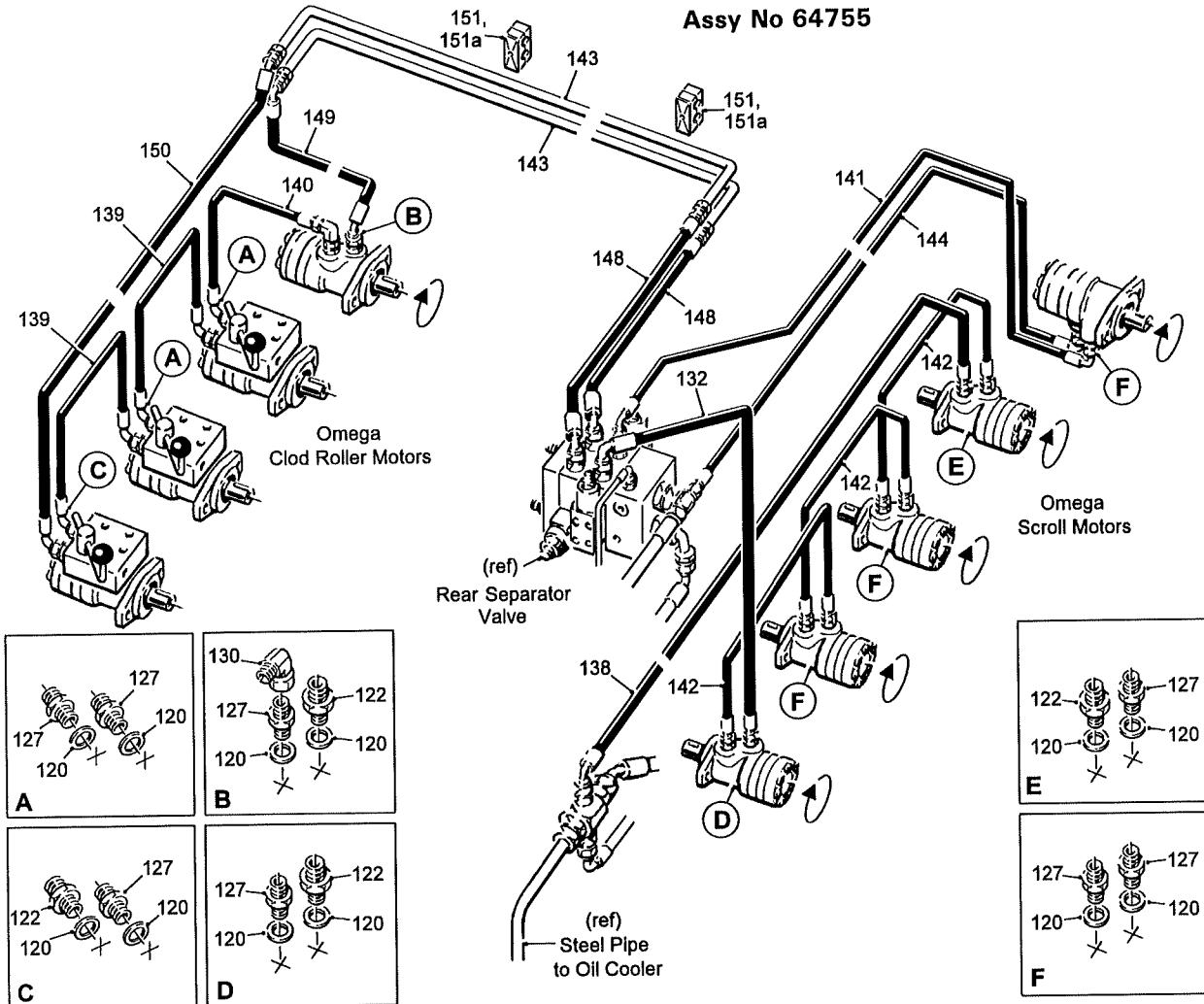
6.1a

T2 SPARE PARTS

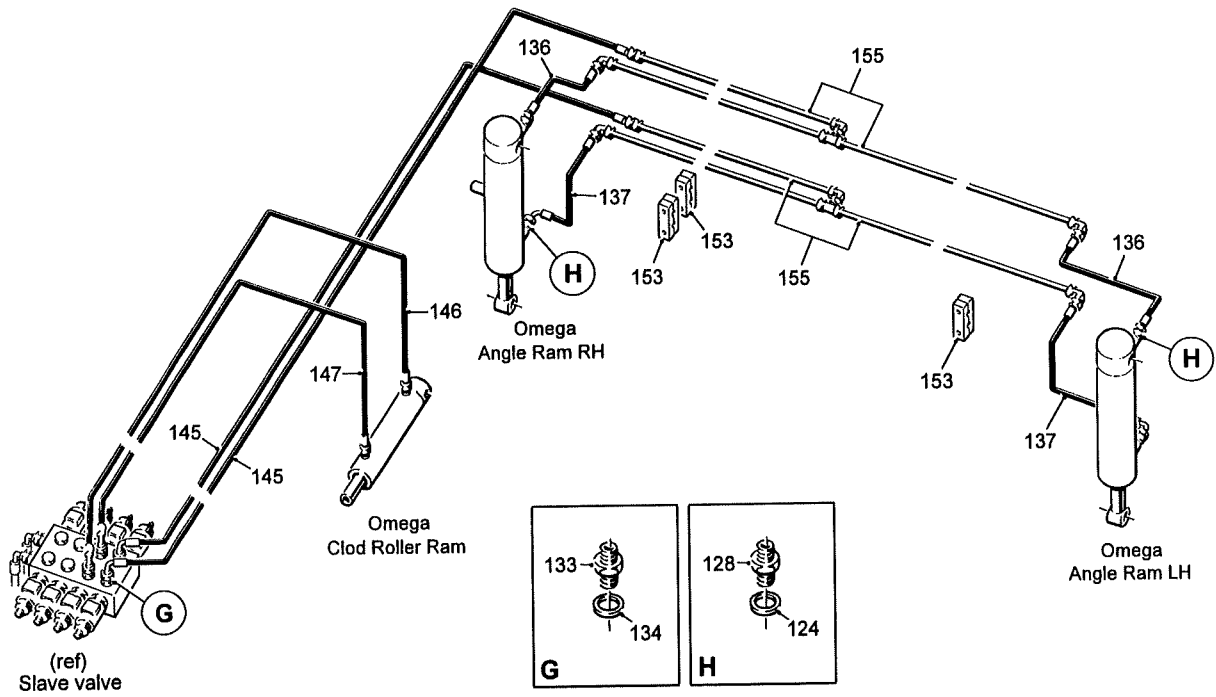
Machines from 2021

5R OMEGA (237mm centres)

Assy No 64755



T2-SP372



T2 SPARE PARTS

6.1b

Machines from 2021

5R OMEGA (237mm centres)

Assy No 64755

Item	Part No.	Description	Qty.	Remarks
1	22016010/020	M10x20 CSK Socket Head Screw	40	
2				
3	11833	21T 3/4"Pitch Sprocket (Ø35 bore)	1	
4				
5	32037/1	Proximity Sensor	3	
6	32037/2	Sensor Cable (5m)	2	
7	32037/4	Sensor Cable (10m)	1	
8				
9	33130/16	Ø50 External Circlip	12	
10				
11	44563	Hydraulic Motor	4	
12				
13	55122	Linear Sensor	2	
14				
15	56112	Diverter Valve	3	
16	56679	Hydraulic Ram	1	
17	56690	Ram Eye	1	
18	56806	Connecting Link (4 hole)	2	
19	59173	Shoulder Bolt (short)	2	
20	59277	Sensor Disc	1	
21	59479B	Sensor Bracket	1	
22	59136/1800	Scroll Shaft (5th)	1	
23	59136A/1800	Scroll Shaft (1st, 2nd, 3rd & 4th)	4	
24	59143	Bearing Boss (M10 horizontal bearing)	6	Qty x5 with roller table
25	59162	Pivot Pin	8	
26	59163	Pivot Flange Bush	8	
27	59164/1800	Clod Roller Scraper	4	
28	59165/1800	Clod Roller Lift Shaft	1	
29	59166	Clod Roller Lift Arm	1	
30	59171	Link LH	1	
31	59172	Link RH	1	
32	59174	Shoulder Bolt (long)	6	
33	59175	Pivot Flange Bush	14	
34	59176	Tapped Boss (long)	2	
35	59177	Tapped Boss (short)	2	
36	59348	End Cap (Ø45 bore)	6	
37	59348A	End Cap (Ø50 bore)	4	
38	59352	Carrier Plate Tie	8	
39	59396	Ø42 Exhaust Clamp	1	
40	59398	Ø42 Ram Body Bracket	1	
41	59399	Ø42 Ram Piston Bracket	1	
42	59529	Motor Mount	4	Qty x3 with roller table
43	59533	Bearing Boss (M12 horizontal bearing)	4	
44	59692	Bearing Boss (M10 angled bearing)	1	Used with roller table only
45	59709/1800	Ø76 Ebonite Clod Roller	4	Option
	59714/1800	Ø76 Mild Steel Clod Roller	4	Option
	59715/1800	Ø73 Stainless Steel Clod Roller	4	Option
	62863/1800	Ø76 Rubber Clod Roller	4	Option
46	59934C	6-Lip LH Cavity Scroll (X= 10mm)	25	LH Solid Scroll 59934S
	59936C	6-Lip LH Cavity Scroll (X= 6mm)	25	LH Solid Scroll 59936S
	64708	4-Lip LH Cavity Scroll (X= 10mm)	25	
	70007	4-Lip LH Cavity Scroll (X= 6mm)	25	

6.1c

T2 SPARE PARTS

Machines from 2021

5R OMEGA (237mm centres)

Assy No 64755

Item	Part No.	Description	Qty.	Remarks
47	59935C	6-Lip RH Cavity Scroll (X = 10mm)	25	RH Solid Scroll 59935S
	59937C	6-Lip RH Cavity Scroll (X = 6mm)	25	RH Solid Scroll 59937S
	64709	4-Lip RH Cavity Scroll (X = 10mm)	25	
	70008	4-Lip RH Cavity Scroll (X = 6mm)	25	
48				
49	62652	Deflector Plate LH (short)	4	
50	62653	Deflector Plate RH (short)	4	
51	62903	Adjuster LH	4	
52	62904	Adjuster RH	4	
53	62908	Adjuster Boss	2	
54	62912	Sensor Bracket	1	
55	62913	Adjuster Plate (237mm centres)	2	
56	62914	Indicator Plate	2	
57				
58				
59	64012	Sensor Disc	2	
60	64013	Sensor Bracket	1	
61	64046	Clod Roller Plate RH	4	
62	64047	Clod Roller Plate LH	4	
63	64066	Carrier Plate LH	4	
64	64067	Carrier Plate RH	4	
65	64249	Ram Bracket LH	1	
66	64250	Ram Bracket RH	1	
67	64420	Drop-down Plate	1	
68	64458	Motor Plate	1	
69	64459	Drive Guard	1	
70	64967	Motor Mount (used with roller table only)	1	┌ Part was 64820
70a	64968	Motor Mount Plate	1	└
71	64825	Hydraulic Ram	2	
72	64826	5 Roller Omega Frame	1	
73	64827	Clamp Strip	2	
74	64845	Omega Mounting LH	1	
75	64846	Omega Mounting RH	1	
76	64849	Clamp Plate	4	
77	64850	Rubber Deflector	2	
78	64851	Stainless Panel LH	1	
79	64852	Stainless Panel RH	1	
80	64860	Sensor Mounting Bolt	1	
81	64747	Pivot Boss	2	
82				
83				
84				
85				
86				
87				
88				
89	67008	Adjuster Strap LH	1	
90	67009	Adjuster Strap RH	1	
91				
92	60062RS	Bearing	8	
93	60102RS	Bearing	8	
94				
95				
96	DW25131	Compression Spring	8	
97				

T2 SPARE PARTS

6.1d

Machines from 2021

5R OMEGA (237mm centres)

Assy No 64755

Item	Part No.	Description	Qty.	Remarks
98	LFTC35A	Bearing	6	
99				
100	RPC648.061001	M6 Grease Nipple 45°	8	
101	RPH850.306210	Hydraulic Motor	5	
102	RPT732.620050	3/4"Pitch Drive Chain	1	
103				
104	SS040011/003	Steel Spacer	4	
105	SS038025/032	Steel Spacer	4	
106				
107	TBMW107	21T 3/4"Pitch Sprocket (Ø25 bore)	1	
108				
109	W0111	Ø55 Internal Circlip	4	
110	W0117	Ø45 External Circlip	6	
111	W0161	Ø80 Internal Circlip	8	
112				
113				
114				
115				
		Hydraulic Components Consist Of:		
120	11124	1/2"BSP Dowty Seal	18	
121				
122	11295	1/2"BSPx3/4"BSP M M Adaptor	4	
123				
124	11337	1/4"BSP Dowty Seal	4	
125				
126				
127	12315	1/2"BSP M M Adaptor	14	
128	12316	1/4"BSP M M Adaptor	4	
129				
130	32475	1/2"BSP M F Compact 90°Adaptor	1	
131				
132	52310	3/4"Hose Assembly (1500mm)	1	Was 43208
133	44207	M14x1/4"BSP M M Adaptor	2	
134	44208	M14 Dowty Seal	2	
135				
136	60979	1/4"Hose Assembly (350mm)	2	Was 60201
137	60222	1/4"Hose Assembly (450mm)	2	Was 60255
138	37215	3/4"Hose Assembly (3800mm)	1	Was 60365
139	60431	1/2"Hose Assembly (450mm)	2	
140	60490	1/2"Hose Assembly (500mm)	1	
141	60721	1/2"Hose Assembly (2850mm)	1	Was 60508
142	60566	1/2"Hose Assembly (500mm)	3	
143	60961	Ø25 Steel Pipe Assembly	2	Was hose 60912
144	43207	1/2"Hose Assembly (2700mm)	1	Was 60913
145	60993	1/4"Hose Assembly (3300mm)	2	Was 60917
146	60918	1/4"Hose Assembly (2900mm)	1	
147	60919	1/4"Hose Assembly (2800mm)	1	
148	60516	3/4"Hose Assembly (1600mm)	2	
149	60905	3/4"Hose Assembly (1200mm)	1	Was 51547
150	60888	3/4"Hose Assembly (850mm)	1	
151	RPC654.300948/2	Pipe Clamp (25-25)	2 pair	Was 62966
151a	RPC654.300948/3	Clamp Plate	2	

6.1c**T2 SPARE PARTS**

Machines from 2021

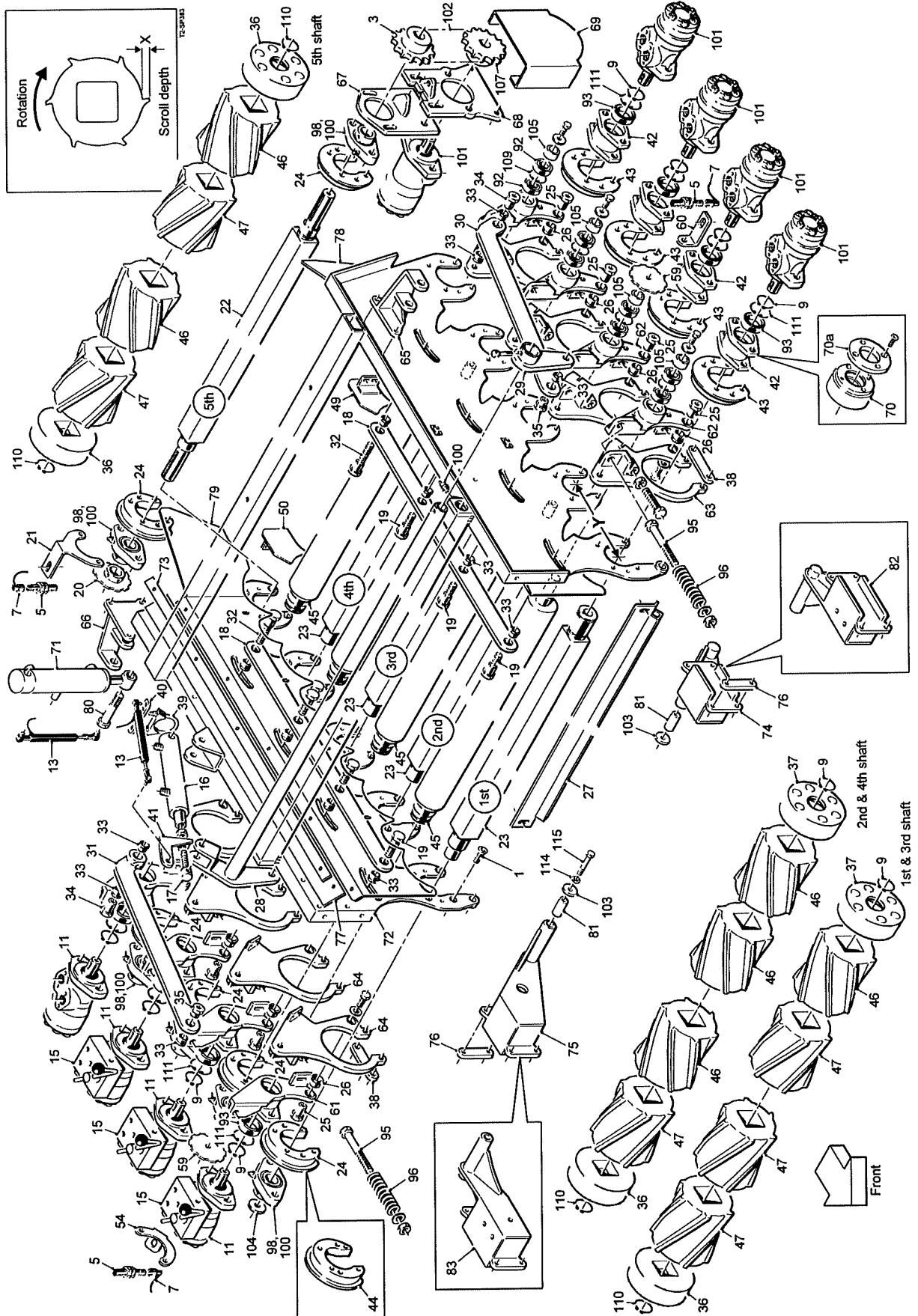
5R OMEGA (237mm centres)**Assy No 64755**

Item	Part No.	Description	Qty.	Remarks
152 153 154 155	64996	Pipe Clamp (10-10)	3	Was 62401
	60959	Ø10 Steel Pipe Assembly	2	Was block DW801992

Machines from 2022

5R OMEGA (237mm centres)

Assy No 64755A & 64755B



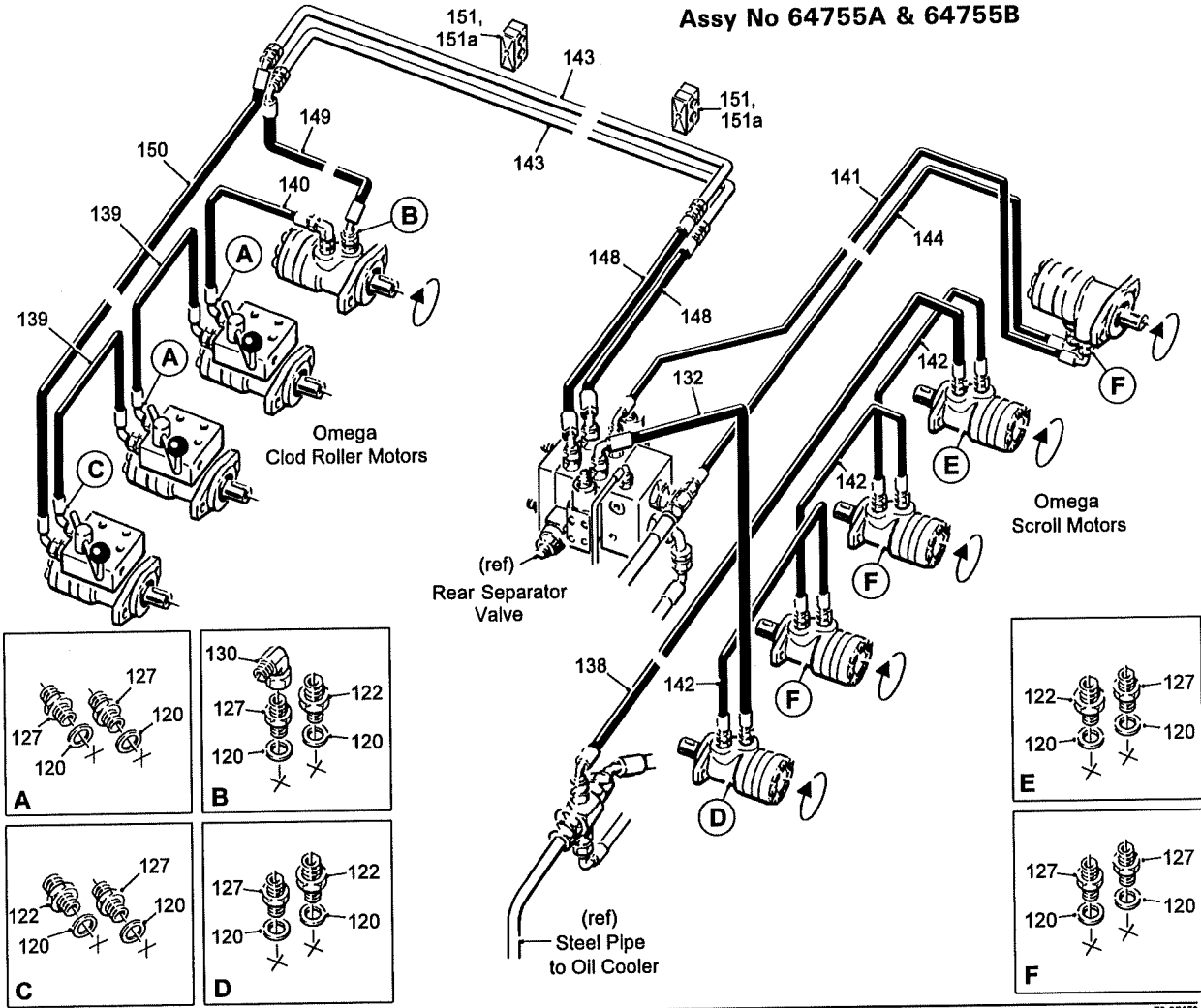
6.1a

T2 SPARE PARTS

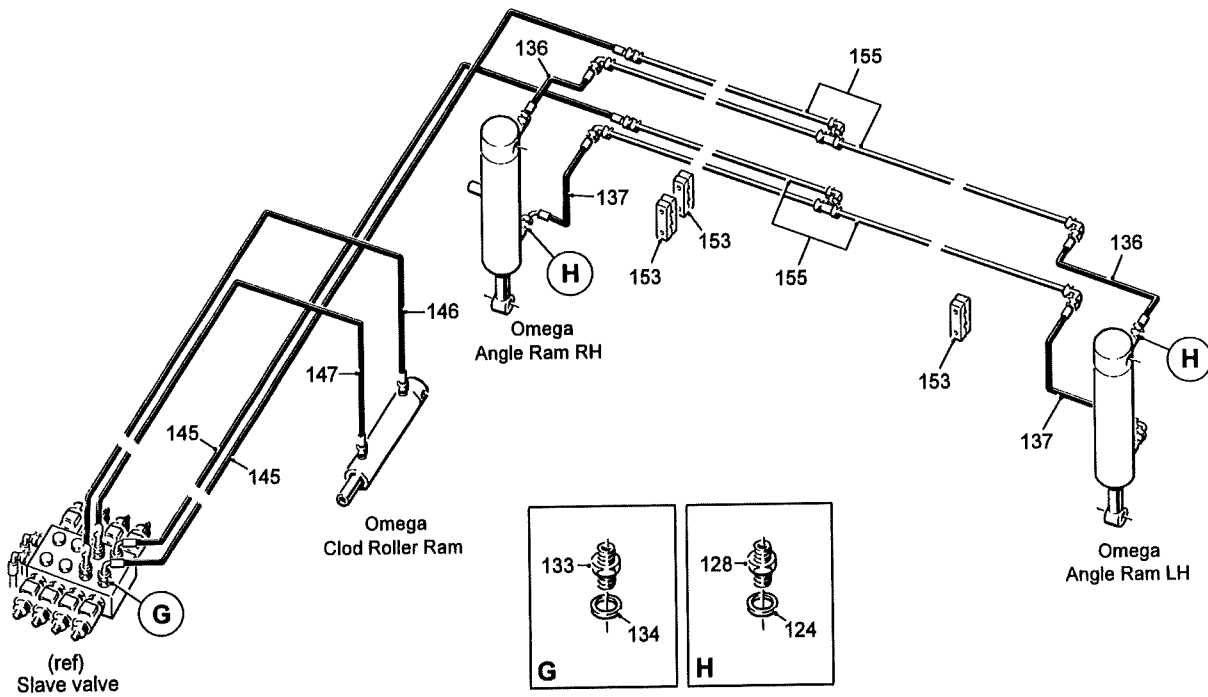
Machines from 2022

5R OMEGA (237mm centres)

Assy No 64755A & 64755B



T2-SP372



T2 SPARE PARTS

6.1b

Machines from 2022

5R OMEGA (237mm centres)

Assy No 64755A & 64755B

Item	Part No.	Description	Qty.	Remarks
1	22016010/020	M10x20 CSK Socket Head Screw	40	
2				
3	11833	21T 3/4"Pitch Sprocket (Ø35 bore)	1	
4				
5	32037/1	Proximity Sensor	3	
6				
7	32037/4	Sensor Cable (10m)	3	
8				
9	33130/16	Ø50 External Circlip	12	
10				
11	44563	Hydraulic Motor	4	
12				
13	55122	Linear Sensor	2	
14				
15	56112	Diverter Valve	3	
16	56679	Hydraulic Ram	1	
17	56690	Ram Eye	1	
18	56806	Connecting Link (4 hole)	2	
19	59173	Shoulder Bolt (short)	6	
20	59277	Sensor Disc	1	
21	59479B	Sensor Bracket	1	
22	59136/1800	Scroll Shaft (5th)	1	
23	59136A/1800	Scroll Shaft (1st, 2nd, 3rd & 4th)	4	
24	59143	Bearing Boss (M10 horizontal bearing)	6	Qty x5 with roller table
25	59162	Pivot Pin	8	
26	59163	Pivot Flange Bush	8	
27	59164/1800	Clod Roller Scraper	4	
28	59165/1800	Clod Roller Lift Shaft	1	
29	59166	Clod Roller Lift Arm	1	
30	59171	Link LH	1	
31	59172	Link RH	1	
32	59174	Shoulder Bolt (long)	2	
33	59175	Pivot Flange Bush	14	
34	59176	Tapped Boss (long)	2	
35	59177	Tapped Boss (short)	2	
36	59348	End Cap (Ø45 bore)	6	
37	59348A	End Cap (Ø50 bore)	4	
38	59352	Carrier Plate Tie	8	
39	59396	Ø42 Exhaust Clamp	1	
40	59398	Ø42 Ram Body Bracket	1	
41	59399	Ø42 Ram Piston Bracket	1	
42	59529	Motor Mount	4	Qty x3 with roller table
43	59533	Bearing Boss (M12 horizontal bearing)	4	
44	59692	Bearing Boss (M10 angled bearing)	1	Used with roller table only
45	59709/1800	Ø76 Ebonite Clod Roller	4	Option
	59714/1800	Ø76 Mild Steel Clod Roller	4	Option
	59715/1800	Ø73 Stainless Steel Clod Roller	4	Option
	62863/1800	Ø76 Rubber Clod Roller	4	Option
46	59934C	6-Lip LH Cavity Scroll (X = 10mm)	25	LH Solid Scroll 59934S
	59936C	6-Lip LH Cavity Scroll (X = 6mm)	25	LH Solid Scroll 59936S
	64708	4-Lip LH Cavity Scroll (X = 10mm)	25	
	70007	4-Lip LH Cavity Scroll (X = 6mm)	25	

6.1c

T2 SPARE PARTS

Machines from 2022

5R OMEGA (237mm centres)

Assy No 64755A & 64755B

Item	Part No.	Description	Qty.	Remarks
47	59935C	6-Lip RH Cavity Scroll (X = 10mm)	25	RH Solid Scroll 59935S
	59937C	6-Lip RH Cavity Scroll (X = 6mm)	25	RH Solid Scroll 59937S
	64709	4-Lip RH Cavity Scroll (X = 10mm)	25	
	70008	4-Lip RH Cavity Scroll (X = 6mm)	25	
48				
49	62652	Deflector Plate LH (short)	4	
50	62653	Deflector Plate RH (short)	4	
51				
52				
53				
54	62912	Sensor Bracket	1	
55				
56				
57				
58				
59	64012	Sensor Disc	2	
60	64013	Sensor Bracket	1	
61	59148B	Clod Roller Plate RH	4	Prior to 2023 was 59148
62	59708B	Clod Roller Plate LH	4	Prior to 2023 was 59708
63	62648A	Carrier Plate LH	4	Prior to 2023 was 62648
64	62649A	Carrier Plate RH	4	Prior to 2023 was 62649
65	64249	Ram Bracket LH	1	
66	64250	Ram Bracket RH	1	
67	64420	Drop-down Plate	1	
68	64458	Motor Plate	1	
69	64459	Drive Guard	1	
70	64967	Motor Mount (used with roller table only)	1	
70a	64968	Motor Mount Plate	1	
71	64825	Hydraulic Ram (stroke 90mm)	2	Assy 64755A
	59153	Hydraulic Ram (stroke 75mm)	2	Assy 64755B
72	64826	5 Roller Omega Frame (Y = 237mm)	1	
73	64827	Clamp Strip	2	
74	64845	Omega Mounting LH	1	Assy 64755A only
75	64846	Omega Mounting RH	1	Assy 64755A only
76	64849	Clamp Plate	4	
77	64850	Rubber Deflector	2	
78	64851	Stainless Panel LH	1	
79	64852	Stainless Panel RH	1	
80	64860	Sensor Mounting Bolt	1	
81	70090	Pivot Boss (with removal thread)	2	
82	70116	Omega Mounting LH	1	Assy 64755B only
83	70117	Omega Mounting RH	1	Assy 64755B only
84				
85				
86				
87				
88				
89				
90				
91				
92	60062RS	Bearing	8	
93	60102RS	Bearing	8	
94				
95	22012016/140	M16x140 Bolt	8	

T2 SPARE PARTS

6.1d

Machines from 2022

5R OMEGA (237mm centres)

Assy No 64755A & 64755B

Item	Part No.	Description	Qty.	Remarks
96	DW25131	Compression Spring	8	
97				
98	LFTC35A	Bearing	6	
99				
100	RPC648.061001	M6 Grease Nipple 45°	8	
101	RPH850.306210	Hydraulic Motor	5	
102	RPT732.620050	3/4"Pitch Drive Chain	1	
103	SS045013/006	Steel Spacer	2	
104	SS040011/003	Steel Spacer	4	
105	SS038025/032	Steel Spacer	4	
106				
107	TBMW107	21T 3/4"Pitch Sprocket (Ø25 bore)	1	
108				
109	W0111	Ø55 Internal Circlip	4	
110	W0117	Ø45 External Circlip	6	
111	W0161	Ø80 Internal Circlip	8	
112				
113				
114	22052012	M12 Spring Washer	2	
115	22012012/090	M12x90 Bolt	2	
		Hydraulic Components Consist Of:		
120	11124	1/2"BSP Dowty Seal	18	
121				
122	11295	1/2"BSPx3/4"BSP M M Adaptor	4	
123				
124	11337	1/4"BSP Dowty Seal	4	
125				
126				
127	12315	1/2"BSP M M Adaptor	14	
128	12316	1/4"BSP M M Adaptor	4	
129				
130	32475	1/2"BSP M F Compact 90° Adaptor	1	
131				
132	52310	3/4"Hose Assembly (1500mm)	1	
133	44207	M14x1/4"BSP M M Adaptor	2	
134	44208	M14 Dowty Seal	2	
135				
136	60979	1/4"Hose Assembly (350mm)	2	
137	60222	1/4"Hose Assembly (450mm)	2	
138	37215	3/4"Hose Assembly (3800mm)	1	
139	60431	1/2"Hose Assembly (450mm)	2	
140	60490	1/2"Hose Assembly (500mm)	1	
141	60721	1/2"Hose Assembly (2850mm)	1	
142	60566	1/2"Hose Assembly (500mm)	3	
143	60961	Ø25 Steel Pipe Assembly	2	
144	43207	1/2"Hose Assembly (2700mm)	1	
145	60993	1/4"Hose Assembly (3300mm)	2	
146	60918	1/4"Hose Assembly (2900mm)	1	
147	60919	1/4"Hose Assembly (2800mm)	1	
148	60516	3/4"Hose Assembly (1600mm)	2	
149	60905	3/4"Hose Assembly (1200mm)	1	
150	60888	3/4"Hose Assembly (850mm)	1	

6.1e**T2 SPARE PARTS**

Machines from 2022

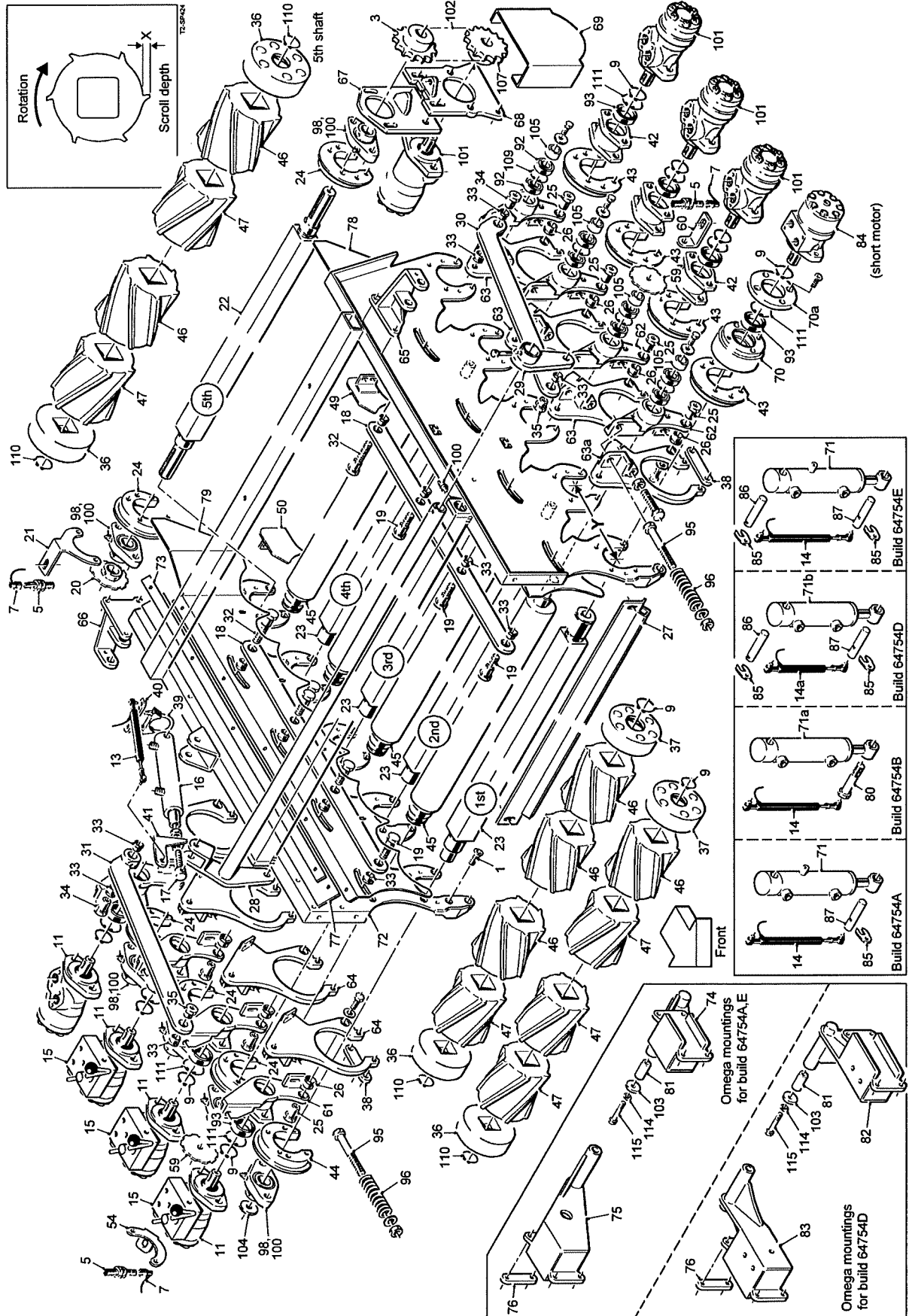
5R OMEGA (237mm centres)**Assy No 64755A & 64755B**

Item	Part No.	Description	Qty.	Remarks
151	RPC654.300948/2	Pipe Clamp (25-25)	2 pair	
151a	RPC654.300948/3	Clamp Plate	2	
152				
153	64996	Pipe Clamp (10-10)	3	
154				
155	60959	Ø10 Steel Pipe Assembly	2	

Machines from Serial No T2-288

5R OMEGA (237mm centres)

Assy No 64755C

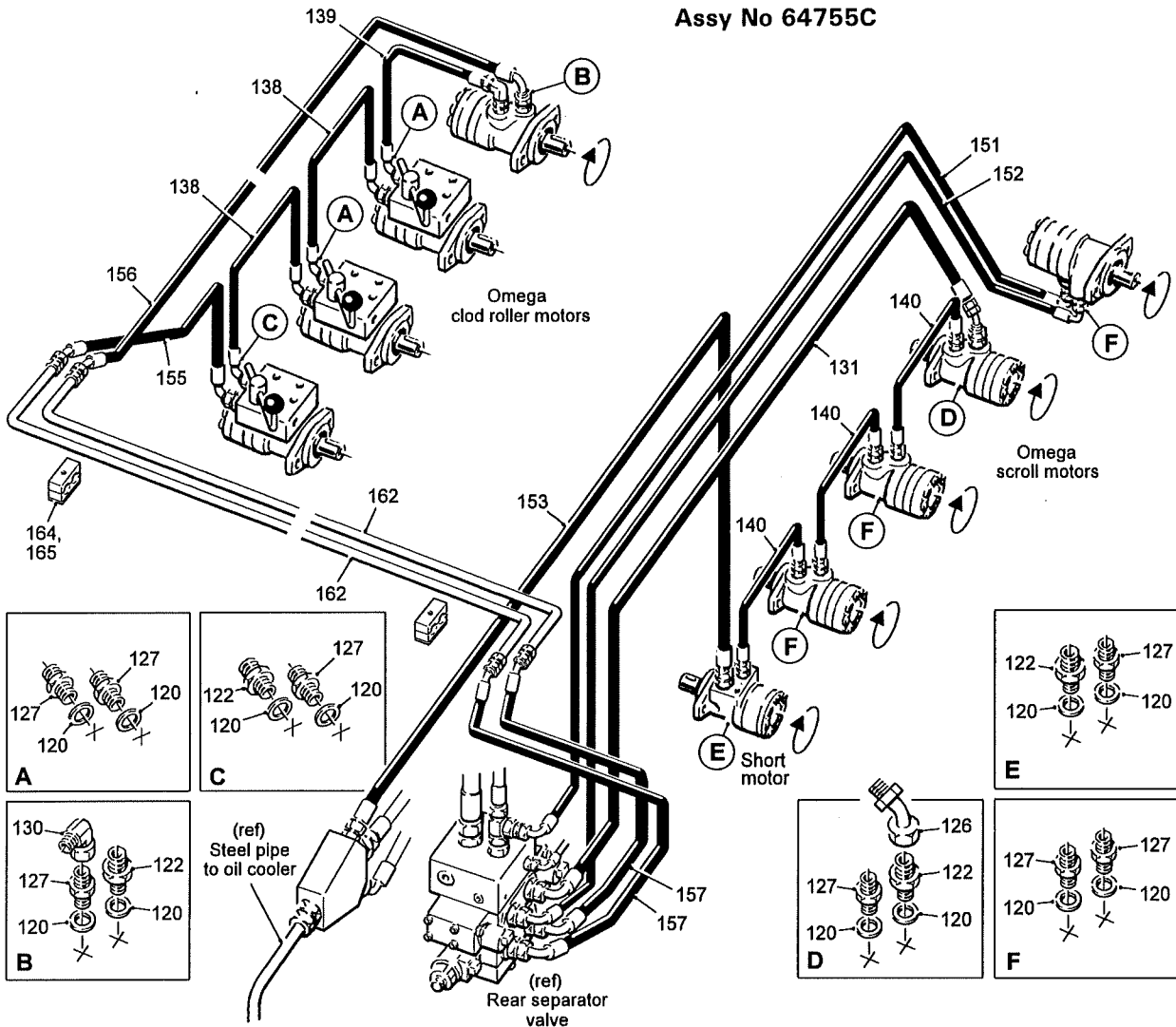


6.1a

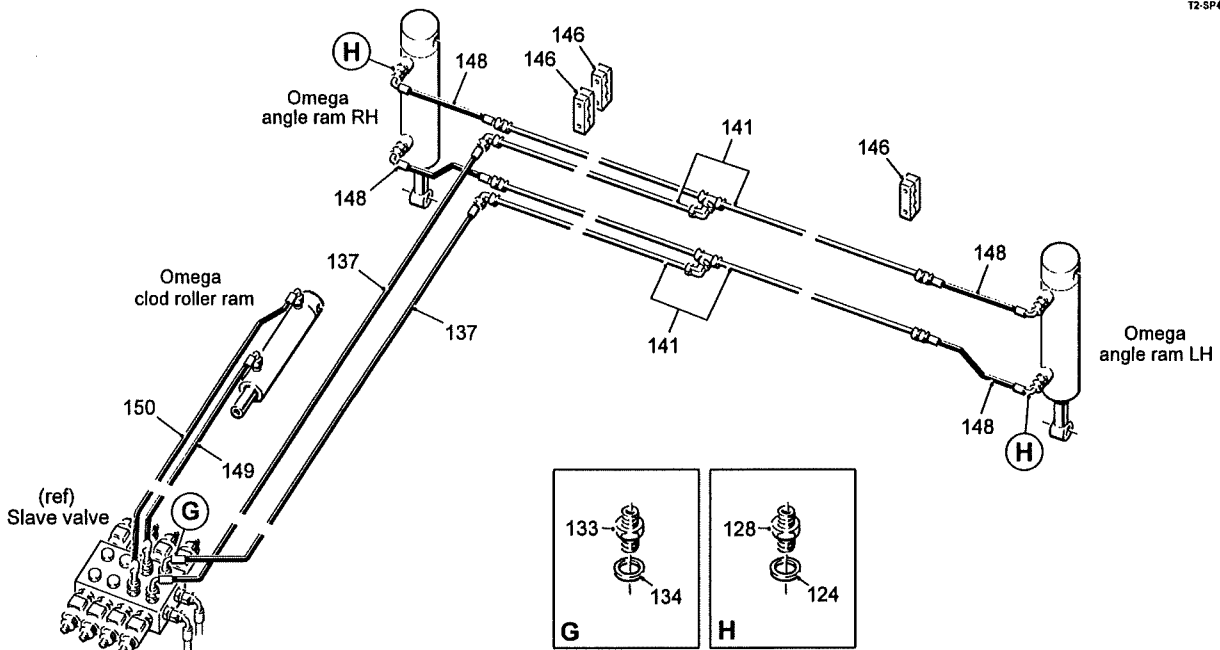
T2 SPARE PARTS

Machines from Serial No T2-288

5R OMEGA (237mm centres)
 Assy No 64755C



T2-SP425



T2 SPARE PARTS**6.1b**

Machines from Serial No T2-288

5R OMEGA (237mm centres)**Assy No 64755C**

Item	Part No.	Description	Qty.	Remarks
1	22016010/020	M10x20 CSK Socket Head Screw	40	
2				
3	11833	21T 3/4"Pitch Sprocket (Ø35 bore)	1	
4				
5	32037/1	Proximity Sensor	3	
6				
7	32037/4	Sensor Cable (10m)	3	
8				
9	33130/16	Ø50 External Circlip	12	
10				
11	44563	Hydraulic Motor	4	
12				
13	55122	Linear Sensor	1	
14	64872	Linear Sensor	1	
14a	55122	Linear Sensor	1	
15	56112	Diverter Valve	3	
16	56679	Hydraulic Ram	1	
17	56690	Ram Eye	1	
18	56806	Connecting Link (4 hole)	2	
19	59173	Shoulder Bolt (short)	6	
20	59277	Sensor Disc	1	
21	59479B	Sensor Bracket	1	
22	59136/1800	Scroll Shaft (5th)	1	
23	59136A/1800	Scroll Shaft (1st, 2nd, 3rd & 4th)	4	
24	59143	Bearing Boss (M10 horizontal bearing)	6	
25	59162	Pivot Pin	8	
26	59163	Pivot Flange Bush	8	
27	59164/1800	Clod Roller Scraper	4	
28	59165/1800	Clod Roller Lift Shaft	1	
29	59166	Clod Roller Lift Arm	1	
30	59171	Link LH	1	
31	59172	Link RH	1	
32	59174	Shoulder Bolt (long)	2	
33	59175	Pivot Flange Bush	14	
34	59176	Tapped Boss (long)	2	
35	59177	Tapped Boss (short)	2	
36	59348	End Cap (Ø45 bore)	6	
37	59348A	End Cap (Ø50 bore)	4	
38	59352	Carrier Plate Tie	8	
39	59396	Ø42 Exhaust Clamp	1	
40	59398	Ø42 Ram Body Bracket	1	
41	59399	Ø42 Ram Piston Bracket	1	
42	59529	Motor Mount	4	
43	59533	Bearing Boss (M12 horizontal bearing)	4	
44	59692	Bearing Boss (M10 angled bearing)	1	
45	59709/1800	Ø76 Ebonite Clod Roller	4	Option
	59714/1800	Ø76 Mild Steel Clod Roller	4	Option
	59715/1800	Ø73 Stainless Steel Clod Roller	4	Option
	62863/1800	Ø76 Rubber Clod Roller	4	Option
46	59934C	6-Lip LH Cavity Scroll (X = 10mm)	25	LH Solid Scroll 59934S
	59936C	6-Lip LH Cavity Scroll (X = 6mm)	25	LH Solid Scroll 59936S
	64708	4-Lip LH Cavity Scroll (X = 10mm)	25	
	70007	4-Lip LH Cavity Scroll (X = 6mm)	25	

6.1c

T2 SPARE PARTS

Machines from Serial No T2-288

5R OMEGA (237mm centres)

Assy No 64755C

Item	Part No.	Description	Qty.	Remarks
47	59935C	6-Lip RH Cavity Scroll (X = 10mm)	25	RH Solid Scroll 59935S
	59937C	6-Lip RH Cavity Scroll (X = 6mm)	25	RH Solid Scroll 59937S
	64709	4-Lip RH Cavity Scroll (X = 10mm)	25	
	70008	4-Lip RH Cavity Scroll (X = 6mm)	25	
48				
49	62652	Deflector Plate LH (short)	4	
50	62653	Deflector Plate RH (short)	4	
51				
52				
53				
54	62912	Sensor Bracket	1	
55				
56				
57				
58				
59	64012	Sensor Disc	2	
60	64013	Sensor Bracket	1	
61	59148B	Clod Roller Plate RH	4	
62	59708B	Clod Roller Plate LH	4	
63	62648A	Carrier Plate LH	3	
63a	62648A	Carrier Plate LH	1	
	62648	Carrier Plate LH	1	Build 64754A & E only
64	62649A	Carrier Plate RH	4	
65	64249A	Ram Bracket LH	1	
66	64250A	Ram Bracket RH	1	
67	64420	Drop-down Plate	1	
68	64458	Motor Plate	1	
69	64459	Drive Guard	1	
70	64967	Motor Mount	1	
70a	64968	Motor Mount Plate	1	
71	64825	Hydraulic Ram (stroke 90mm)	2	
71a	56518	Hydraulic Ram (stroke 160mm)	2	
71b	59153	Hydraulic Ram (stroke 75mm)	2	
72	64826	5 Roller Omega Frame (Y = 237mm)	1	
73	64827	Clamp Strip	2	
74	64845	Omega Mounting LH	1	
75	64846	Omega Mounting RH	1	
76	64849	Clamp Plate	4	
77	64850	Rubber Deflector	2	Build 64754A,D,E
78	64851	Stainless Panel LH	1	Build 64754A,D,E
79	64852	Stainless Panel RH	1	Build 64754A,D,E
80	64860	Sensor Mounting Bolt	1	
81	70090	Pivot Boss (with removal thread)	2	
82	70116	Omega Mounting LH	1	
83	70117	Omega Mounting RH	1	
84	70338	Hydraulic Motor (short)	1	
85	70345	Pin Locking Plate	4	Qty x2 on build 64754A
86	70346	Top Pin	2	
87	70347	Bottom Pin	2	
88				
89				
90				
91				

T2 SPARE PARTS**6.1d**

Machines from Serial No T2-288

5R OMEGA (237mm centres)**Assy No 64755C**

Item	Part No.	Description	Qty.	Remarks
92	60062RS	Bearing	8	
93	60102RS	Bearing	8	
94				
95	22012016/140	M16x140 Bolt	8	
96	DW25131	Compression Spring	8	
97				
98	LFTC35A	Bearing	6	
99				
100	RPC648.061001	M6 Grease Nipple 45°	8	
101	RPH850.306210	Hydraulic Motor	4	
102	RPT732.620050	3/4"Pitch Drive Chain	1	
103	SS045013/006	Steel Spacer	2	
104	SS040011/003	Steel Spacer	4	
105	SS038025/032	Steel Spacer	4	
106				
107	TBMW107	21T 3/4"Pitch Sprocket (Ø25 bore)	1	
108				
109	W0111	Ø55 Internal Circlip	4	
110	W0117	Ø45 External Circlip	6	
111	W0161	Ø80 Internal Circlip	8	
112				
113				
114	22052012	M12 Spring Washer	2	
115	22012012/090	M12x90 Bolt	2	
		Hydraulic Components Consist Of:		
120	11124	1/2"BSP Dowty Seal	18	
121				
122	11295	1/2"BSPx3/4"BSP M M Adaptor	4	
123				
124	11337	1/4"BSP Dowty Seal	4	
125				
126	23575	3/4"BSP M F Swept 45°Adaptor	1	
127	12315	1/2"BSP M M Adaptor	14	
128	12316	1/4"BSP M M Adaptor	4	
129				
130	32475	1/2"BSP M F Compact 90°Adaptor	1	
131	37215	3/4"Hose Assembly (3300mm)	1	
132				
133	44207	M14x1/4"BSP M M Adaptor	4	
134	44208	M14 Dowty Seal	4	
135				
136				
137	60231	1/4"Hose Assembly (3700mm)	2	
138	60431	1/2"Hose Assembly (450mm)	2	
139	60490	1/2"Hose Assembly (500mm)	1	
140	60566	1/2"Hose Assembly (500mm)	3	
141	60959	Ø10 Steel Pipe Assembly	2	
142				
143				
144				
145				
146	64996	Pipe Clamp (10-10)	3	
147				

6.1e**T2 SPARE PARTS**

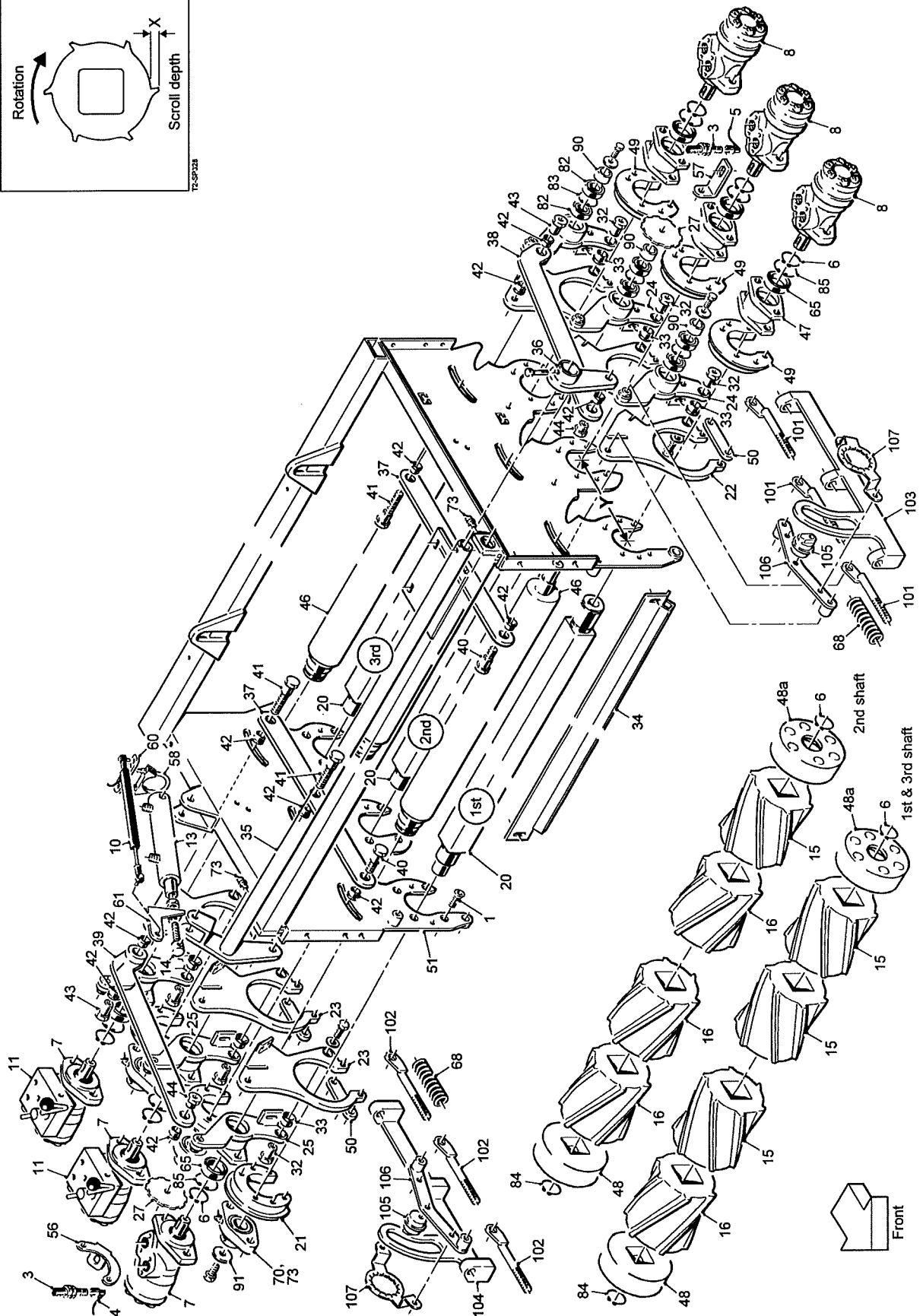
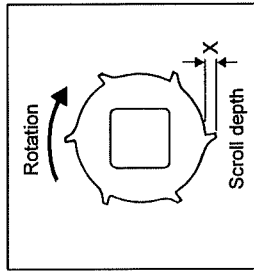
Machines from Serial No T2-288

5R OMEGA (237mm centres)**Assy No 64755C**

Item	Part No.	Description	Qty.	Remarks
148	71099	1/4"Hose Assembly (365mm)	4	
149	71100	1/4"Hose Assembly (2800mm)	1	
150	71101	1/4"Hose Assembly (2900mm)	1	
151	71102	1/2"Hose Assembly (3800mm)	1	
152	71103	1/2"Hose Assembly (3900mm)	1	
153	71104	3/4"Hose Assembly (2850mm)	1	
154	71105	3/4"Hose Assembly (5250mm)	1	
155	71126	3/4"Hose Assembly (850mm)	1	
156	71127	3/4"Hose Assembly (900mm)	1	
157	71128	3/4"Hose Assembly (2300mm)	2	
158				
159				
160				
161				
162	70250	Ø25 Steel Pipe Assembly	2	With clod roller electric gap adjustment option, use hose 71114 x2
163				
164	RPC654.300948/2	Pipe Clamp (25-25)	2 pair	
165	RPC654.300948/3	Clamp Plate	2	

Machines from 2021

3R OMEGA (237mm centres)

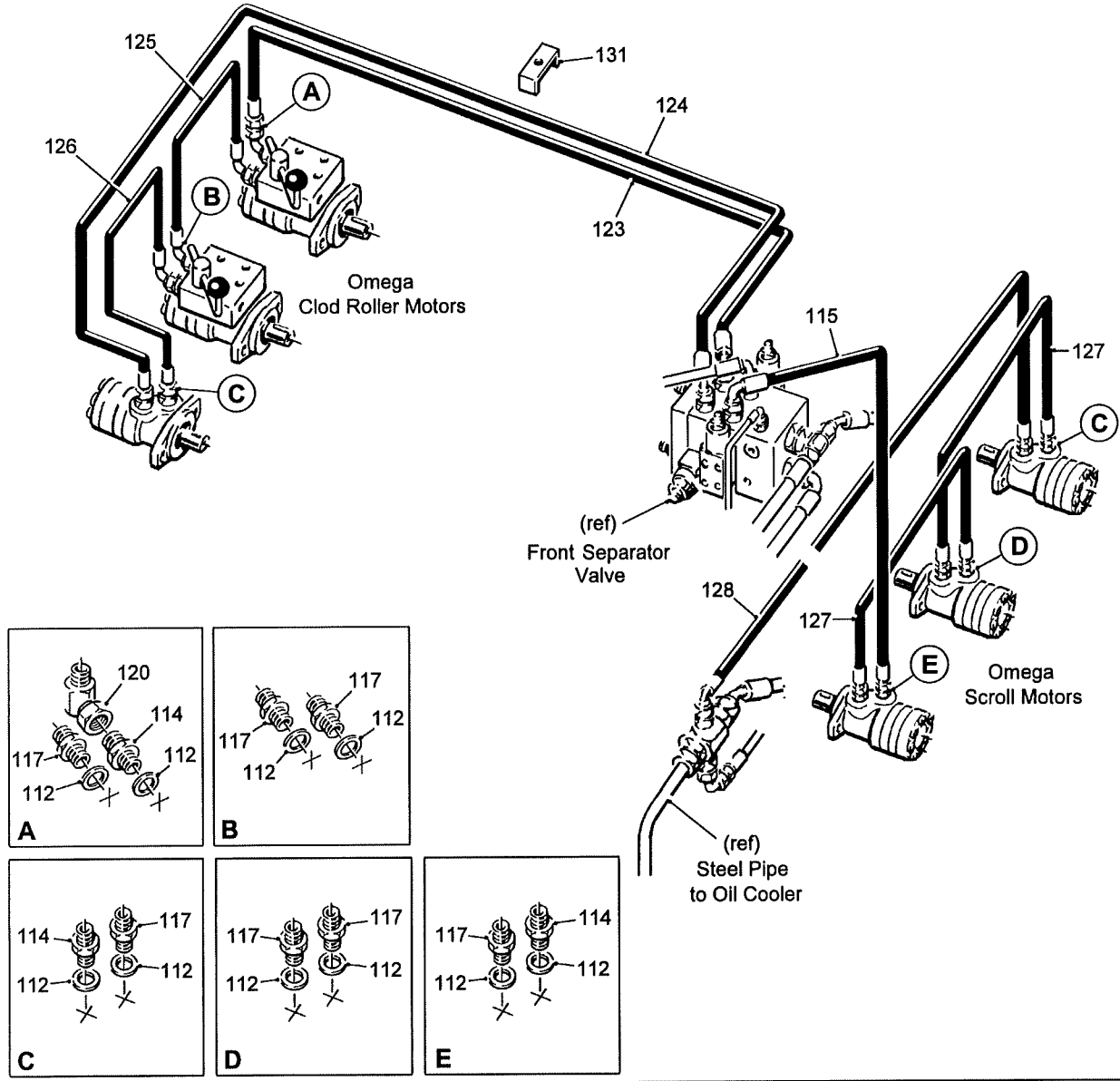


6.2a

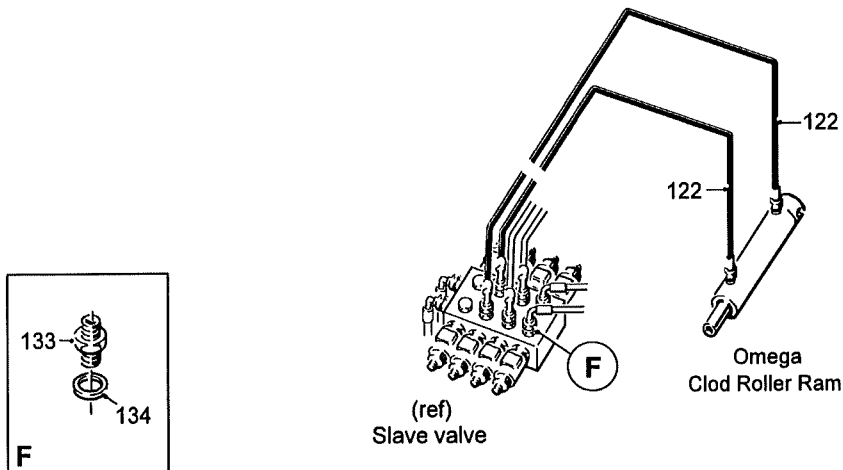
T2 SPARE PARTS

Machines from 2021

3R OMEGA (237mm centres)



T2-SP379



T2 SPARE PARTS**6.2b**

Machines from 2021

3R OMEGA (237mm centres)

Item	Part No.	Description	Qty.	Remarks
1	22016010/020	M10x20 CSK Socket Head Screw	24	
2				
3	32037/1	Proximity Sensor	2	
4	32037/2	Sensor Cable (5m)	1	
5	32037/4	Sensor Cable (10m)	1	
6	33130/16	Ø50 External Circlip	9	
7	44563	Hydraulic Motor	3	
8	RPH850.306210	Hydraulic Motor	3	
9				
10	55122	Linear Sensor	1	
11	56112	Diverter Valve	2	
12				
13	56679	Hydraulic Ram	1	
14	56690	Ram Eye	1	
15	59934C	6-Lip LH Cavity Scroll (X = 10mm)	19	LH Solid Scroll 59934S
	59936C	6-Lip LH Cavity Scroll (X = 6mm)	19	LH Solid Scroll 59936S
	64708	4-Lip LH Cavity Scroll (X = 10mm)	19	
	70007	4-Lip LH Cavity Scroll (X = 6mm)	19	
16	59935C	6-Lip RH Cavity Scroll (X = 10mm)	11	RH Solid Scroll 59935S
	59937C	6-Lip RH Cavity Scroll (X = 6mm)	11	RH Solid Scroll 59937S
	64709	4-Lip RH Cavity Scroll (X = 10mm)	11	
	70008	4-Lip RH Cavity Scroll (X = 6mm)	11	
17				
18				
19				
20	59136A/1800	Scroll Shaft	3	
21	59143	Bearing Boss (M10 horizontal bearing)	3	
22	64066	LH Carrier Plate	3	
23	64067	RH Carrier Plate	3	
24	64047	Clod Roller Bearing Mount	3	
25	64046	Clod Roller Motor Mount	3	
26				
27	64012	Sensor Disc	2	
28				
29				
30				
31				
32	59162	Pivot Pin	6	
33	59163	Pivot Flange Bush	6	
34	59164/1800	Clod Roller Scraper	3	
35	59165/1800	Clod Roller Lift Shaft	1	
36	59166	Clod Roller Lift Arm	1	
37	59170	Connecting Link (3 holes)	2	
38	59171	LH Link	1	
39	59172	RH Link	1	
40	59173	Shoulder Bolt (short)	2	
41	59174	Shoulder Bolt (long)	4	
42	59175	Pivot Flange Bush	12	
43	59176	Tapped Boss (long)	2	
44	59177	Tapped Boss (short)	2	
45				

Machines from 2021

3R OMEGA (237mm centres)

Item	Part No.	Description	Qty.	Remarks
46	59709/1800	Ø76 Ebonite Clod Roller	3	Option
	59714/1800	Ø76 Mild Steel Clod Roller	3	Option
	59715/1800	Ø73 Stainless Steel Clod Roller	3	Option
	62863/1800	Ø76 Rubber Clod Roller	3	Option
47	59529	Motor Mount	3	
48	59348	End Cap (Ø45 bore)	3	
48a	59348A	End Cap (Ø50 bore)	3	
49	59533	Motor Boss (M12 horizontal bearing)	3	
50	59352	Carrier Plate Tie	6	
51	59353A	3 Roller Omega Frame (Y = 237mm)	1	
52				
53				
54				
55				
56	62912	Sensor Bracket	1	
57	64013	Sensor Bracket	1	
58	59396	Ø42 Exhaust Clamp	1	
59				
60	59398	Ø42 Ram Body Bracket	1	
61	59399	Ø42 Ram Piston Bracket	1	
62				
63				
64				
65	60102RS	Bearing	6	
66				
67				
68	DW25131	Compression Spring	6	
69				
70	LFTC35A	Bearing	3	
71				
72				
73	RPC648.061001	Grease Nipple 45°	5	
74				
75				
76				
77				
78				
79				
80				
81				
82	6006RS	Bearing	6	
83	W0111	Ø55 Internal Circlip	3	
84	W0117	Ø45 External Circlip	3	
85	W0161	Ø80 Internal Circlip	6	
86				
87				
88				
89				
90	SS038025/032	Steel Spacer	3	
91	SS040011/003	Steel Spacer	3	
92				
93				
94				
95				

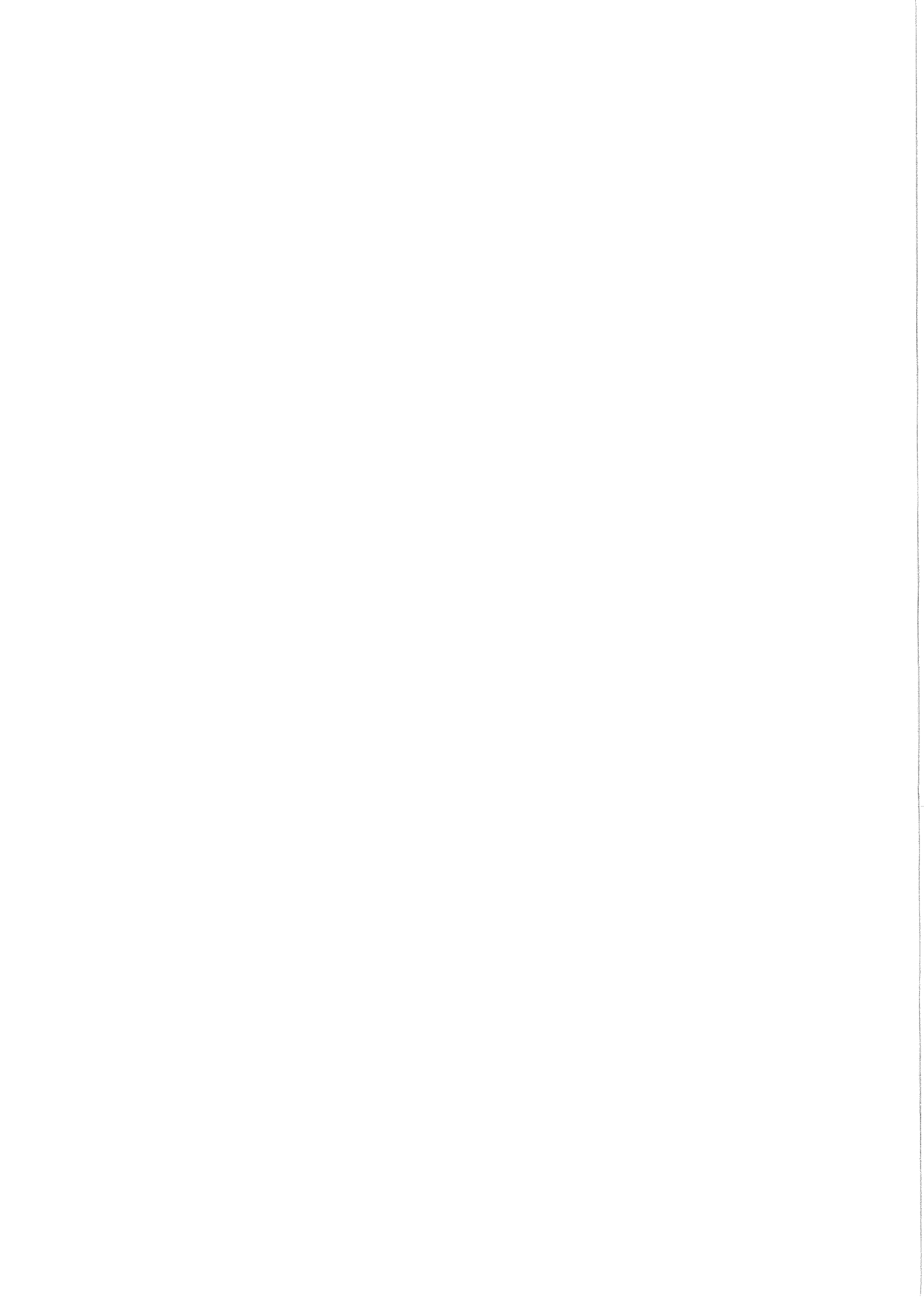
T2 SPARE PARTS

6.2d

Machines from 2021

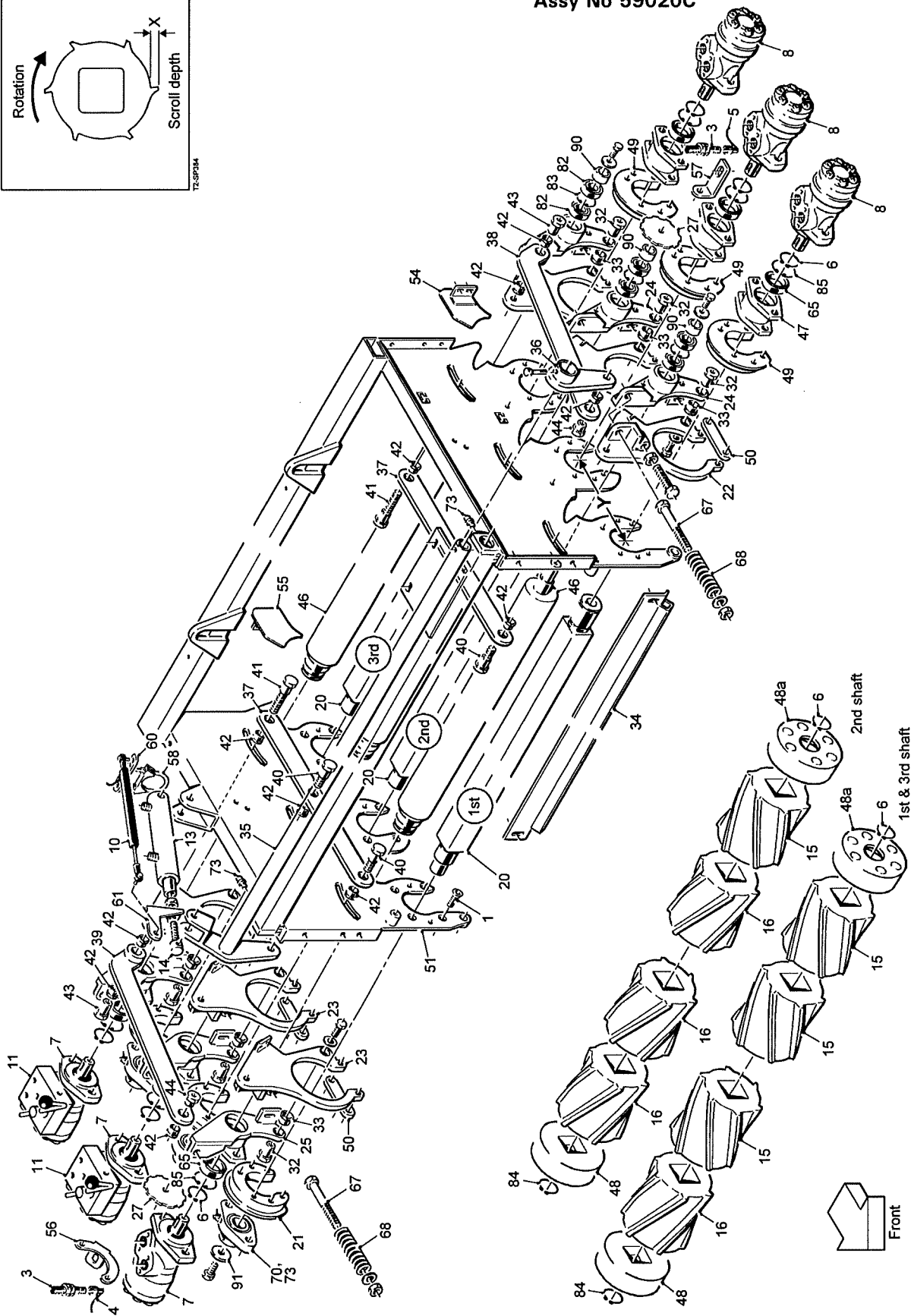
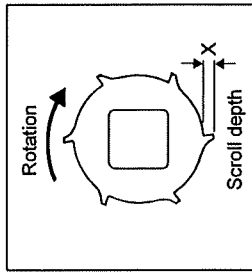
3R OMEGA (237mm centres)

Item	Part No.	Description	Qty.	Remarks
96				
97				
98				
99				
100				
101	62903	LH Adjuster	3	
102	62904	RH Adjuster	3	
103	62905LH	Adjuster Strap LH	1	
104	62905RH	Adjuster Strap RH	1	
105	62908	Adjuster Boss	2	
106	62913	Adjuster Plate	2	
107	62914	Indicator Plate	2	
108				
109				
110				
111				
		Hydraulic Components Consist Of:		
112	11124	1/2"BSP Dowty Seal	12	
113				
114	11295	1/2"BSPx3/4"BSP M M Adaptor	4	
115	60978	3/4"Hose Assembly (1850mm)	1	
116				
117	12315	1/2"BSP M M Adaptor	8	
118				
119				
120	41115	3/4"BSP M F Compact 90° Adaptor	1	
121				
122	60994	1/4"Hose Assembly (1950mm)	2	
123	60977	3/4"Hose Assembly (4350mm)	1	
124	60976	3/4"Hose Assembly (4350mm)	1	
125	60431	1/2"Hose Assembly (450mm)	1	
126	60490	1/2"Hose Assembly (500mm)	1	
127	60566	1/2"Hose Assembly (500mm)	2	
128	41273	3/4"Hose Assembly (2800mm)	1	
129				
130				
131	62966	Hose Clamp	3	
132				
133	44207	M14x1/4"BSP M M Adaptor	2	
134	44208	M14 Dowty Seal	2	



Machines from 2022

3R OMEGA (237mm centres)
 Assy No 59020C



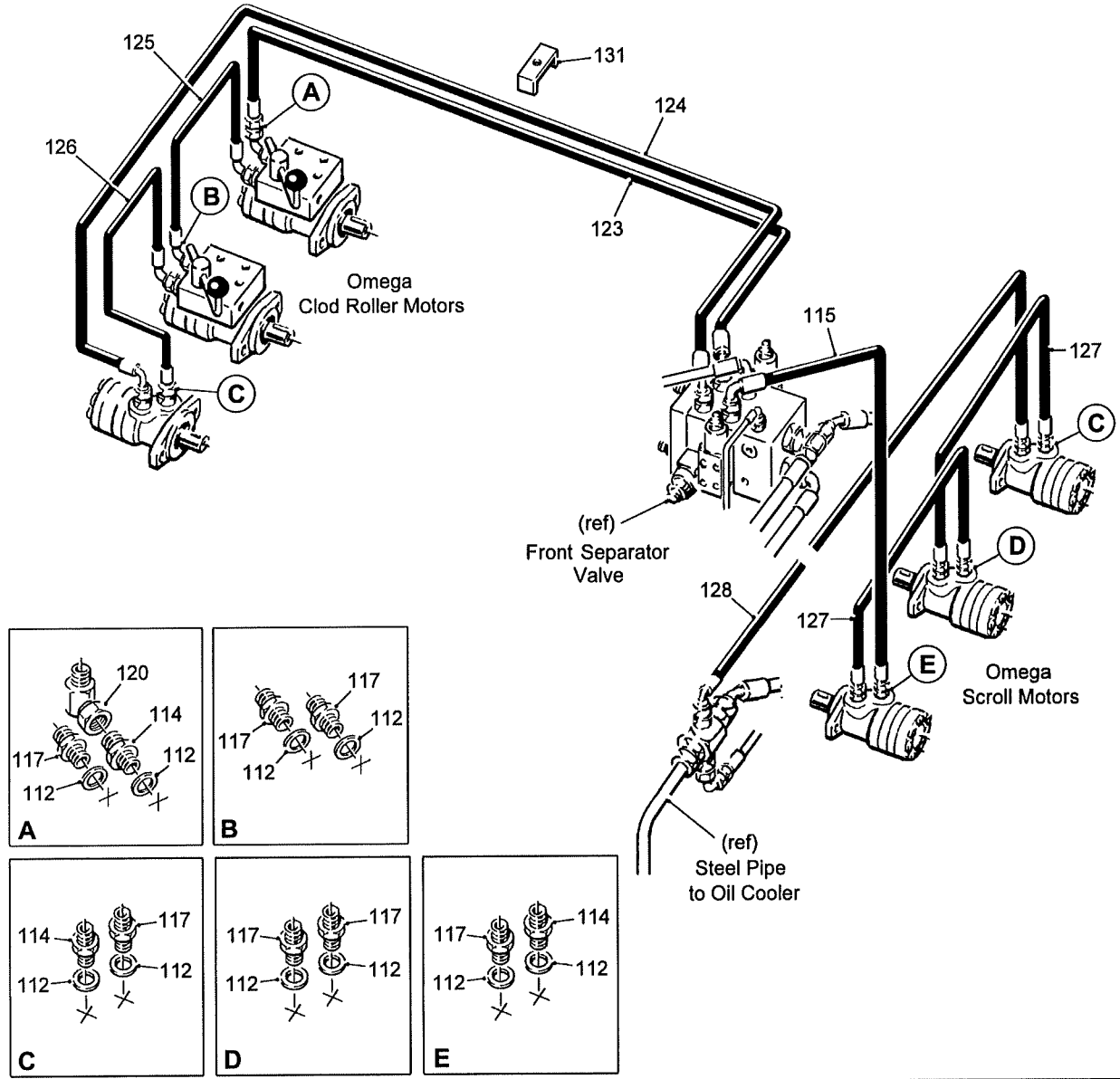
6.2a

T2 SPARE PARTS

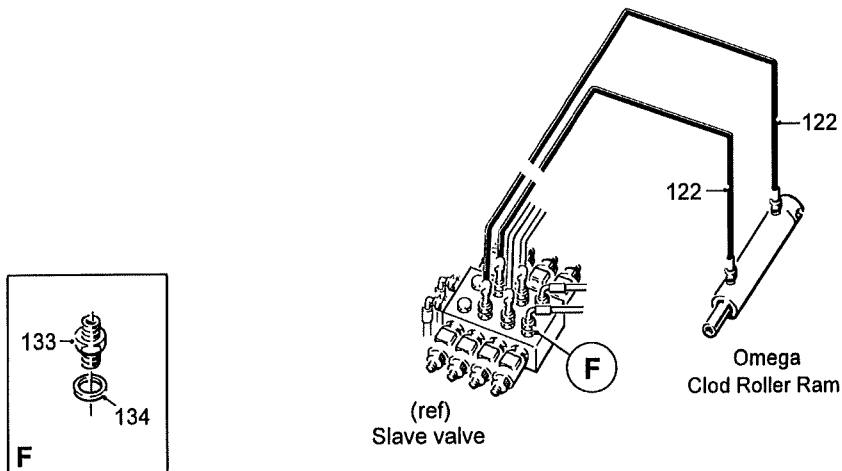
Machines from 2022

3R OMEGA (237mm centres)

Assy No 59020C



T2-SP378



T2 SPARE PARTS**6.2b**

Machines from 2022

3R OMEGA (237mm centres)**Assy No 59020C**

Item	Part No.	Description	Qty.	Remarks
1	22016010/020	M10x20 CSK Socket Head Screw	24	
2				
3	32037/1	Proximity Sensor	2	
4	32037/2	Sensor Cable (5m)	1	
5	32037/4	Sensor Cable (10m)	1	
6	33130/16	Ø50 External Circlip	9	
7	44563	Hydraulic Motor	3	
8	RPH850.306210	Hydraulic Motor	3	
9				
10	55122	Linear Sensor	1	
11	56112	Diverter Valve	2	
12				
13	56679	Hydraulic Ram	1	
14	56690	Ram Eye	1	
15	59934C	6-Lip LH Cavity Scroll (X = 10mm)	19	LH Solid Scroll 59934S
	59936C	6-Lip LH Cavity Scroll (X = 6mm)	19	LH Solid Scroll 59936S
	64708	4-Lip LH Cavity Scroll (X = 10mm)	19	
	70007	4-Lip LH Cavity Scroll (X = 6mm)	19	
16	59935C	6-Lip RH Cavity Scroll (X = 10mm)	11	RH Solid Scroll 59935S
	59937C	6-Lip RH Cavity Scroll (X = 6mm)	11	RH Solid Scroll 59937S
	64709	4-Lip RH Cavity Scroll (X = 10mm)	11	
	70008	4-Lip RH Cavity Scroll (X = 6mm)	11	
17				
18				
19				
20	59136A/1800	Scroll Shaft	3	
21	59143	Bearing Boss (M10 horizontal bearing)	3	
22	62648A	LH Carrier Plate	3	Prior to 2023 was 62648
23	62649A	RH Carrier Plate	3	Prior to 2023 was 62649
24	59708B	Clod Roller Plate LH	3	Prior to 2023 was 59708
25	59148B	Clod Roller Plate RH	3	Prior to 2023 was 59148
26				
27	64012	Sensor Disc	2	
28				
29				
30				
31				
32	59162	Pivot Pin	6	
33	59163	Pivot Flange Bush	6	
34	59164/1800	Clod Roller Scraper	3	
35	59165/1800	Clod Roller Lift Shaft	1	
36	59166	Clod Roller Lift Arm	1	
37	59170	Connecting Link (3 holes)	2	
38	59171	LH Link	1	
39	59172	RH Link	1	
40	59173	Shoulder Bolt (short)	4	
41	59174	Shoulder Bolt (long)	2	
42	59175	Pivot Flange Bush	12	
43	59176	Tapped Boss (long)	2	
44	59177	Tapped Boss (short)	2	
45				

Machines from 2022

3R OMEGA (237mm centres)

Assy No 59020C

Item	Part No.	Description	Qty.	Remarks
46	59709/1800	Ø76 Ebonite Clod Roller	3	Option
	59714/1800	Ø76 Mild Steel Clod Roller	3	Option
	59715/1800	Ø73 Stainless Steel Clod Roller	3	Option
	62863/1800	Ø76 Rubber Clod Roller	3	Option
47	59529	Motor Mount	3	
48	59348	End Cap (Ø45 bore)	3	
48a	59348A	End Cap (Ø50 bore)	3	
49	59533	Motor Boss (M12 horizontal bearing)	3	
50	59352	Carrier Plate Tie	6	
51	59353A	3 Roller Omega Frame (Y = 237mm)	1	
52				
53				
54	62652	Deflector Plate LH	3	
55	62653	Deflector Plate RH	3	
56	62912	Sensor Bracket	1	
57	64013	Sensor Bracket	1	
58	59396	Ø42 Exhaust Clamp	1	
59				
60	59398	Ø42 Ram Body Bracket	1	
61	59399	Ø42 Ram Piston Bracket	1	
62				
63				
64				
65	60102RS	Bearing	6	
66				
67	22012016/140	M16x140 Bolt	6	
68	DW25131	Compression Spring	6	
69				
70	LFTC35A	Bearing	3	
71				
72				
73	RPC648.061001	Grease Nipple 45°	5	
74				
75				
76				
77				
78				
79				
80				
81				
82	60062RS	Bearing	6	
83	W0111	Ø55 Internal Circlip	3	
84	W0117	Ø45 External Circlip	3	
85	W0161	Ø80 Internal Circlip	6	
86				
87				
88				
89				
90	SS038025/032	Steel Spacer	3	
91	SS040011/003	Steel Spacer	3	
92				
93				
94				
95				

T2 SPARE PARTS**6.2d**

Machines from 2022

3R OMEGA (237mm centres)**Assy No 59020C**

Item	Part No.	Description	Qty.	Remarks
96				
97				
98				
99				
100				
101				
102				
103				
104				
105				
106				
107				
108				
109				
110				
111				
		Hydraulic Components Consist Of:		
112	11124	1/2"BSP Dowty Seal	12	
113				
114	11295	1/2"BSPx3/4"BSP M M Adaptor	4	
115	60978	3/4"Hose Assembly (1850mm)	1	
116				
117	12315	1/2"BSP M M Adaptor	8	
118				
119				
120	41115	3/4"BSP M F Compact 90°Adaptor	1	
121				
122	60994	1/4"Hose Assembly (1950mm)	2	
123	71033	3/4"Hose Assembly (4650mm)	1	Was 60977
124	71034	3/4"Hose Assembly (4250mm)	1	Was 60976
125	60431	1/2"Hose Assembly (450mm)	1	
126	60490	1/2"Hose Assembly (500mm)	1	
127	60566	1/2"Hose Assembly (500mm)	2	
128	41273	3/4"Hose Assembly (2800mm)	1	
129				
130				
131	62966	Hose Clamp	3	
132				
133	44207	M14x1/4"BSP M M Adaptor	2	
134	44208	M14 Dowty Seal	2	

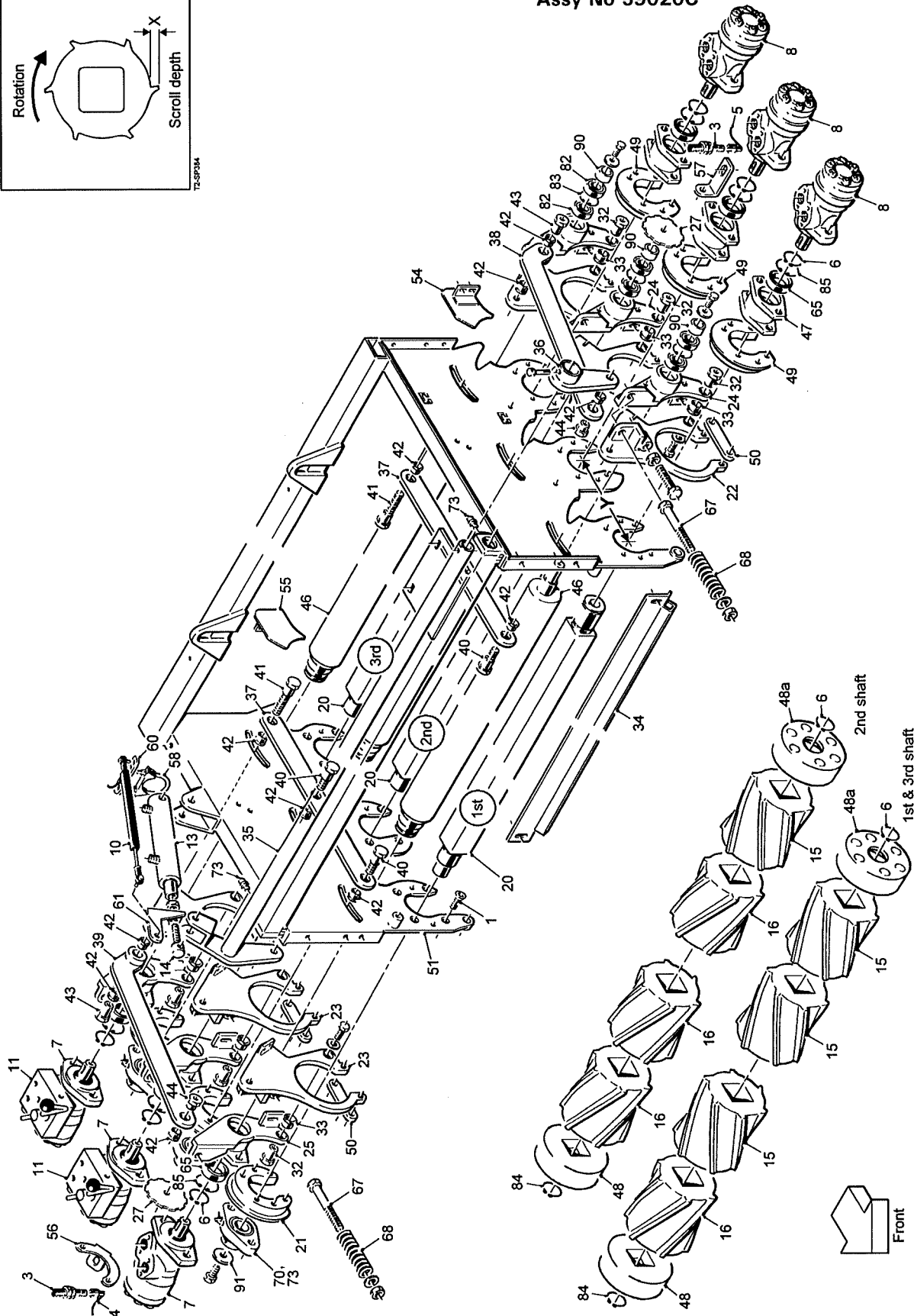
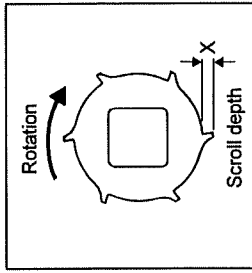
T2 SPARE PARTS

6.2

Machines from Serial No T2-288

3R OMEGA (237mm centres)

Assy No 59020C



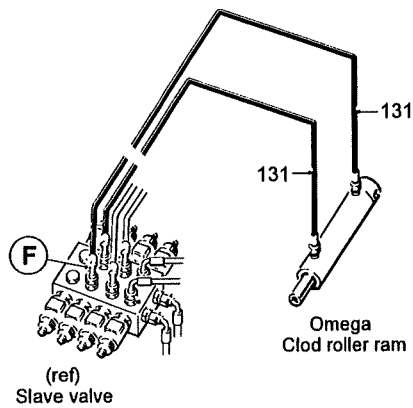
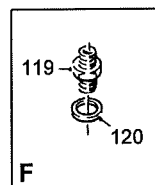
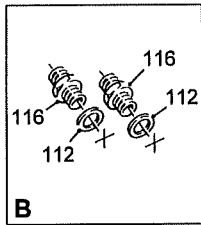
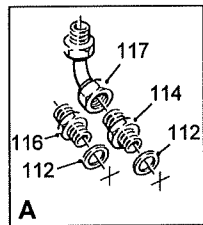
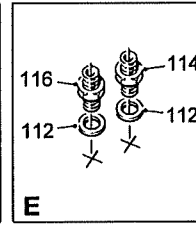
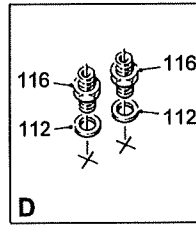
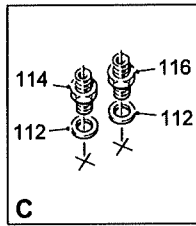
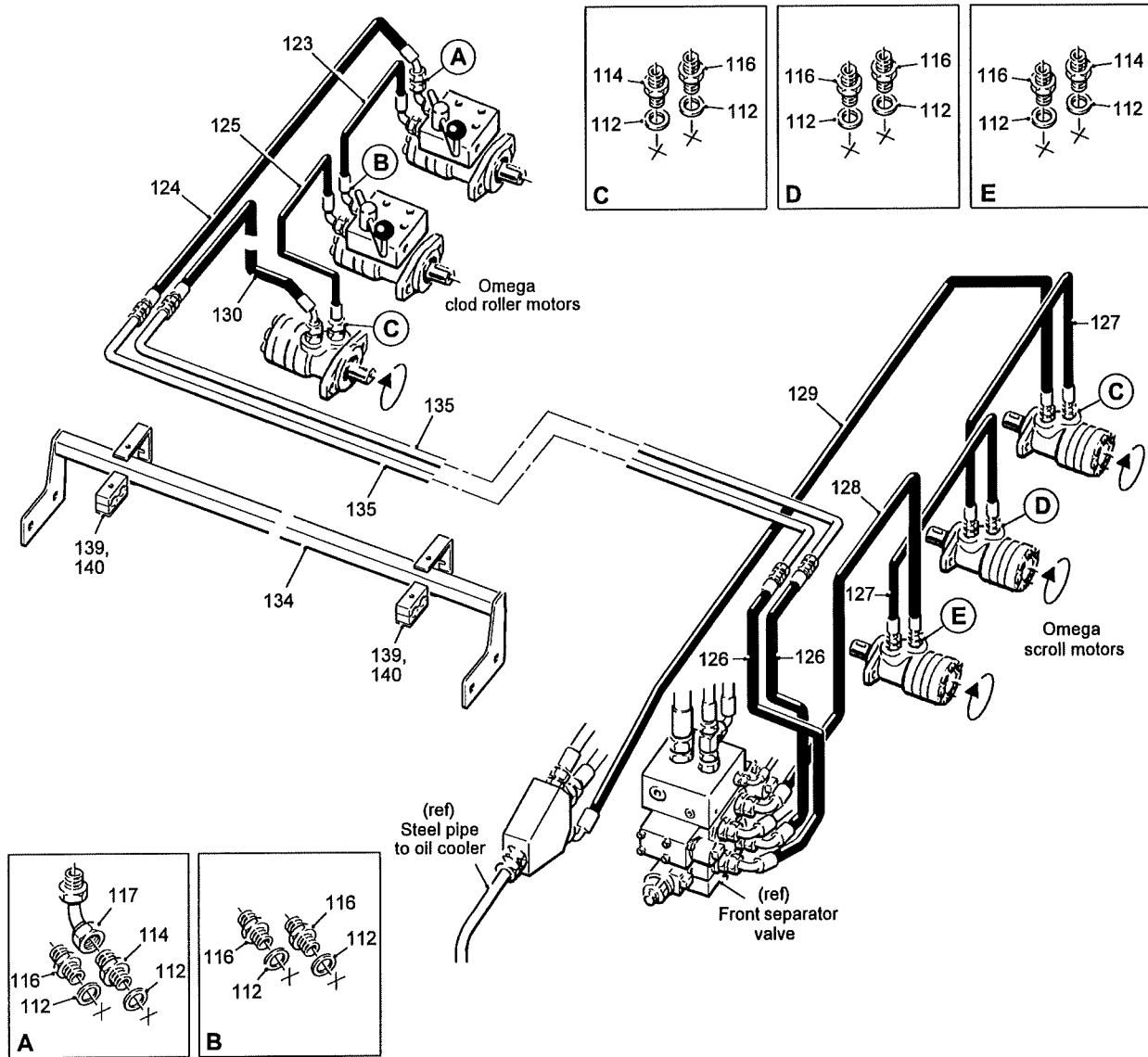
6.2a

T2 SPARE PARTS

Machines from Serial No T2-288

3R OMEGA (237mm centres)

Assy No 59020C



T2-SP435

T2 SPARE PARTS**6.2b**

Machines from Serial No T2-288

3R OMEGA (237mm centres)**Assy No 59020C**

Item	Part No.	Description	Qty.	Remarks
1	22016010/020	M10x20 CSK Socket Head Screw	24	
2				
3	32037/1	Proximity Sensor	2	
4	32037/2	Sensor Cable (5m)	1	
5	32037/4	Sensor Cable (10m)	1	
6	33130/16	Ø50 External Circlip	9	
7	44563	Hydraulic Motor	3	
8	RPH850.306210	Hydraulic Motor	3	
9				
10	55122	Linear Sensor	1	
11	56112	Diverter Valve	2	
12				
13	56679	Hydraulic Ram	1	
14	56690	Ram Eye	1	
15	59934C	6-Lip LH Cavity Scroll (X = 10mm)	19	LH Solid Scroll 59934S
	59936C	6-Lip LH Cavity Scroll (X = 6mm)	19	LH Solid Scroll 59936S
	64708	4-Lip LH Cavity Scroll (X = 10mm)	19	
	70007	4-Lip LH Cavity Scroll (X = 6mm)	19	
16	59935C	6-Lip RH Cavity Scroll (X = 10mm)	11	RH Solid Scroll 59935S
	59937C	6-Lip RH Cavity Scroll (X = 6mm)	11	RH Solid Scroll 59937S
	64709	4-Lip RH Cavity Scroll (X = 10mm)	11	
	70008	4-Lip RH Cavity Scroll (X = 6mm)	11	
17				
18				
19				
20	59136A/1800	Scroll Shaft	3	
21	59143	Bearing Boss (M10 horizontal bearing)	3	
22	62648A	LH Carrier Plate	3	
23	62649A	RH Carrier Plate	3	
24	59708B	Clod Roller Plate LH	3	
25	59148B	Clod Roller Plate RH	3	
26				
27	64012	Sensor Disc	2	
28				
29				
30				
31				
32	59162	Pivot Pin	6	
33	59163	Pivot Flange Bush	6	
34	59164/1800	Clod Roller Scraper	3	
35	59165/1800	Clod Roller Lift Shaft	1	
36	59166	Clod Roller Lift Arm	1	
37	59170	Connecting Link (3 holes)	2	
38	59171	LH Link	1	
39	59172	RH Link	1	
40	59173	Shoulder Bolt (short)	4	
41	59174	Shoulder Bolt (long)	2	
42	59175	Pivot Flange Bush	12	
43	59176	Tapped Boss (long)	2	
44	59177	Tapped Boss (short)	2	
45				

6.2c

T2 SPARE PARTS

Machines from Serial No T2-288

3R OMEGA (237mm centres)

Assy No 59020C

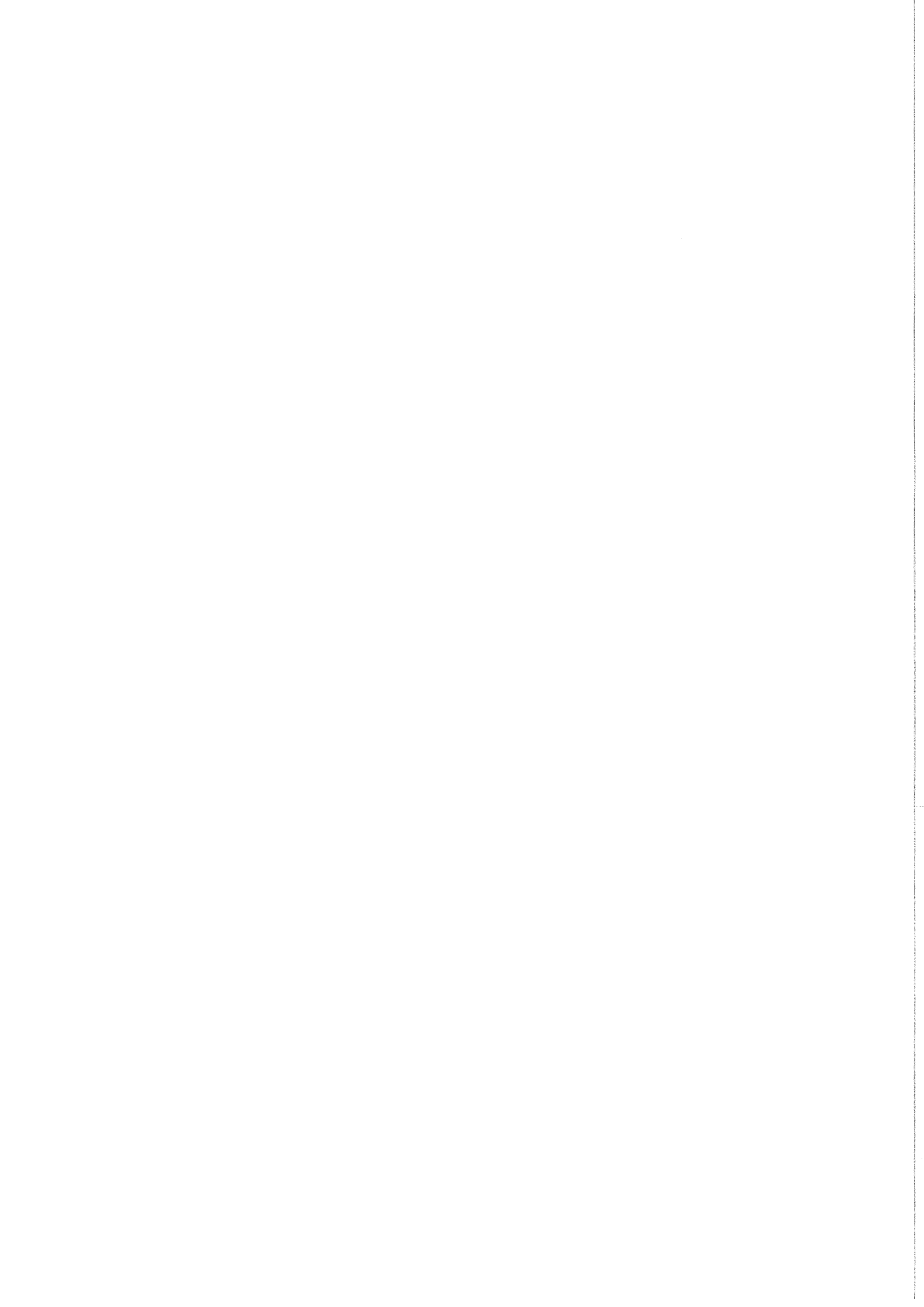
Item	Part No.	Description	Qty.	Remarks
46	59709/1800	Ø76 Ebonite Clod Roller	3	Option
	59714/1800	Ø76 Mild Steel Clod Roller	3	Option
	59715/1800	Ø73 Stainless Steel Clod Roller	3	Option
	62863/1800	Ø76 Rubber Clod Roller	3	Option
47	59529	Motor Mount	3	
48	59348	End Cap (Ø45 bore)	3	
48a	59348A	End Cap (Ø50 bore)	3	
49	59533	Motor Boss (M12 horizontal bearing)	3	
50	59352	Carrier Plate Tie	6	
51	59353A	3 Roller Omega Frame (Y = 237mm)	1	
52				
53				
54	62652	Deflector Plate LH	3	
55	62653	Deflector Plate RH	3	
56	62912	Sensor Bracket	1	
57	64013	Sensor Bracket	1	
58	59396	Ø42 Exhaust Clamp	1	
59				
60	59398	Ø42 Ram Body Bracket	1	
61	59399	Ø42 Ram Piston Bracket	1	
62				
63				
64				
65	60102RS	Bearing	6	
66				
67	22012016/140	M16x140 Bolt	6	
68	DW25131	Compression Spring	6	
69				
70	LFTC35A	Bearing	3	
71				
72				
73	RPC648.061001	Grease Nipple 45°	5	
74				
75				
76				
77				
78				
79				
80				
81				
82	60062RS	Bearing	6	
83	W0111	Ø55 Internal Circlip	3	
84	W0117	Ø45 External Circlip	3	
85	W0161	Ø80 Internal Circlip	6	
86				
87				
88				
89				
90	SS038025/032	Steel Spacer	3	
91	SS040011/003	Steel Spacer	3	
92				
93				
94				
95				

T2 SPARE PARTS**6.2d**

Machines from Serial No T2-288

3R OMEGA (237mm centres)**Assy No 59020C**

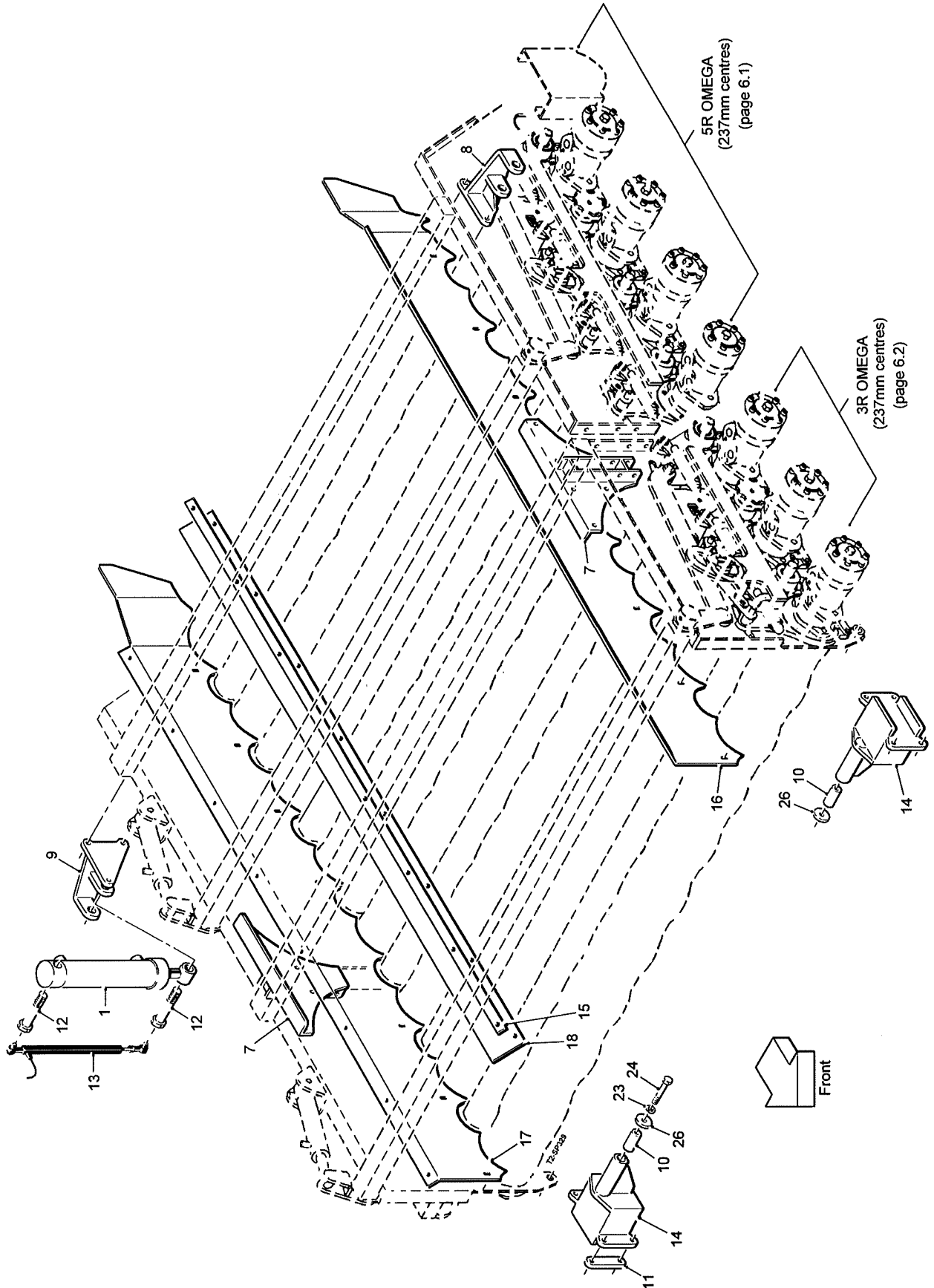
Item	Part No.	Description	Qty.	Remarks
96				
97				
98				
99				
100				
		Hydraulic Components Consist Of:		
112	11124	1/2"BSP Dowty Seal	8	
113				
114	11295	1/2"BSPx3/4"BSP M M Adaptor	4	
115				
116	12315	1/2"BSP M M Adaptor	8	
117	12350	3/4"BSP M F Swept 90° Adaptor	1	
118				
119	44207	M14x1/4"BSP M M Adaptor	2	
120	44208	M14 Dowty Seal	2	
121				
122				
123	60431	1/2"Hose Assembly (450mm)	1	
124	60487	3/4"Hose Assembly (1150mm)	1	
125	60490	1/2"Hose Assembly (500mm)	1	
126	60516	3/4"Hose Assembly (1600mm)	2	
127	60566	1/2"Hose Assembly (500mm)	2	
128	60660	3/4"Hose Assembly (2200mm)	1	
129	60778	3/4"Hose Assembly (2650mm)	1	
130	60981	3/4"Hose Assembly (1050mm)	1	
131	60994	1/4"Hose Assembly (1950mm)	2	
132				
133				
134	70249	Pipe Bracket	1	
135	70250	Ø25 Steel Pipe Assembly	2	
136				
137				
138				
139	RPC654.300948/2	Pipe Clamp (25-25)	2 pair	
140	RPC654.300948/3	Clamp Plate	2	



Machines from 2021

8R OMEGA (237mm centres)

With combined clod roller adjustment - Assy No 64790
With individual clod roller adjustment - Assy No 64790A



6.3a

T2 SPARE PARTS

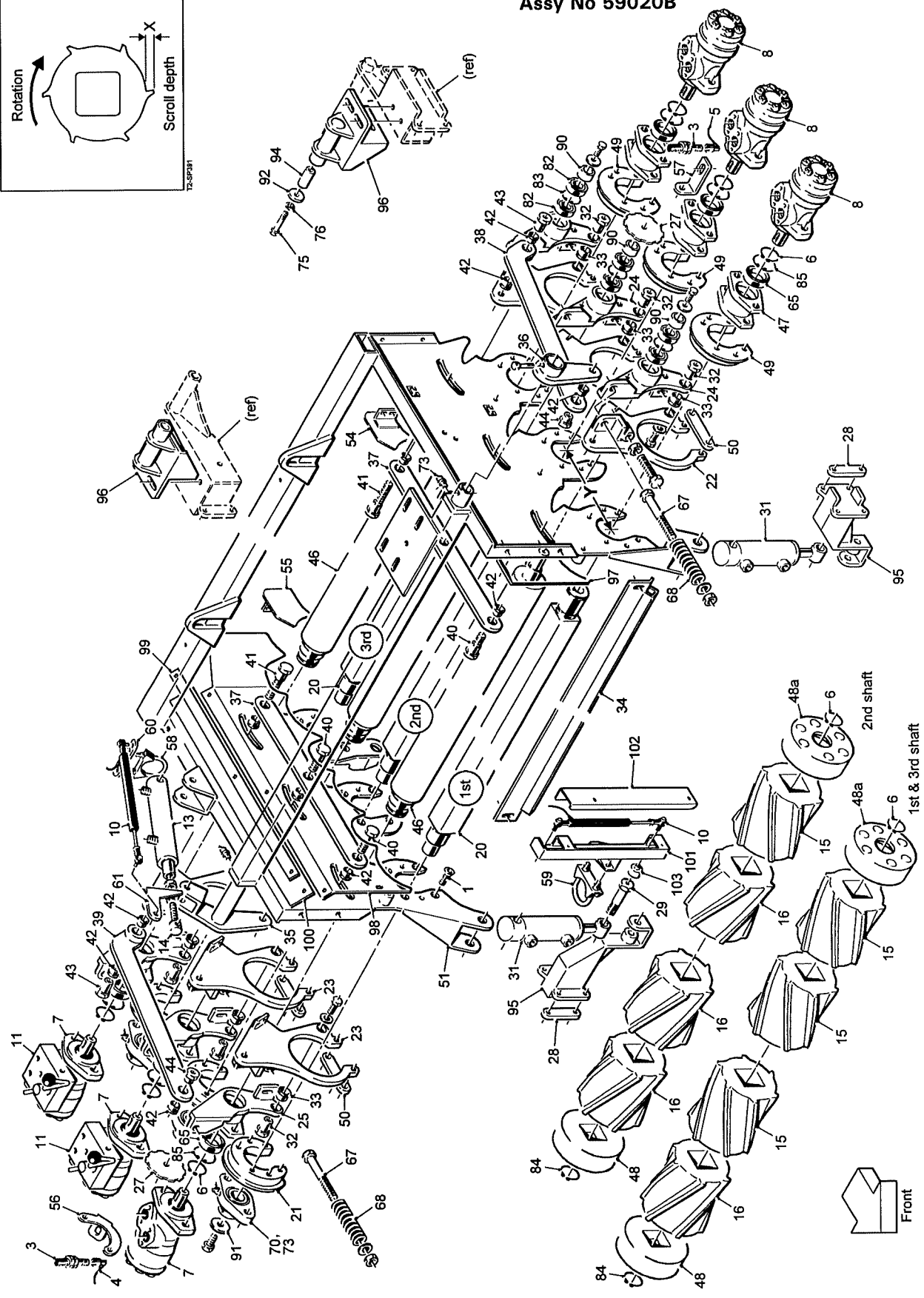
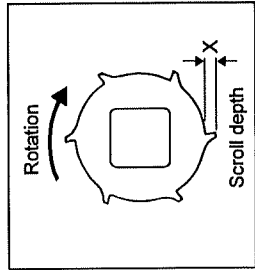
Machines from 2021

8R OMEGA (237mm entres)

Assy No 64790 & 64790A

Item	Part No.	Description	Qty.	Remarks
1	56518	Hydraulic Ram	2	
2				
3				
4				
5				
6				
7	64245	Joining Bracket	2	
8	64249	Ram Bracket LH	1	
9	64250	Ram Bracket RH	1	
10	70090	Pivot Boss (with removal thread)	2	Prior to 2022 was 64747
11	64849	Clamp Plate	4	
12	64860	Sensor Mounting Bolt	2	
13	64872	Linear Sensor	1	
14	64875	Omega Mounting Bracket	2	
15	64884	Clamp Strip	2	
16	64885	Stainless Panel LH	1	
17	64886	Stainless Panel RH	1	
18	64887	Rubber Deflector	2	
19				
20				
21				
22				
23	22052012	M12 Spring Washer	2	
24	22012012/090	M12x90 Bolt	2	
25				
26	SS045013/006	Steel Spacer	2	

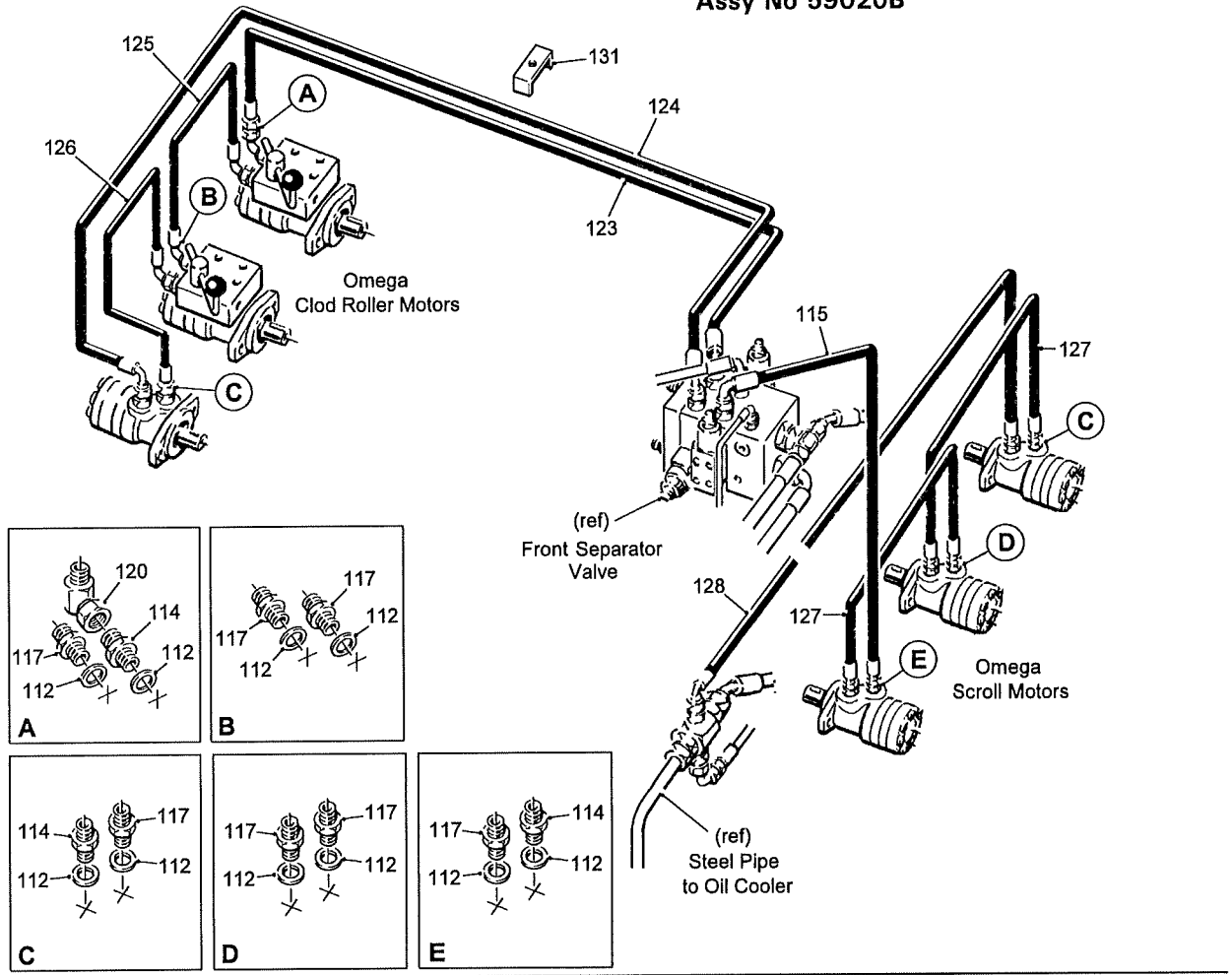
3R OMEGA (237mm centres) Assy No 59020B



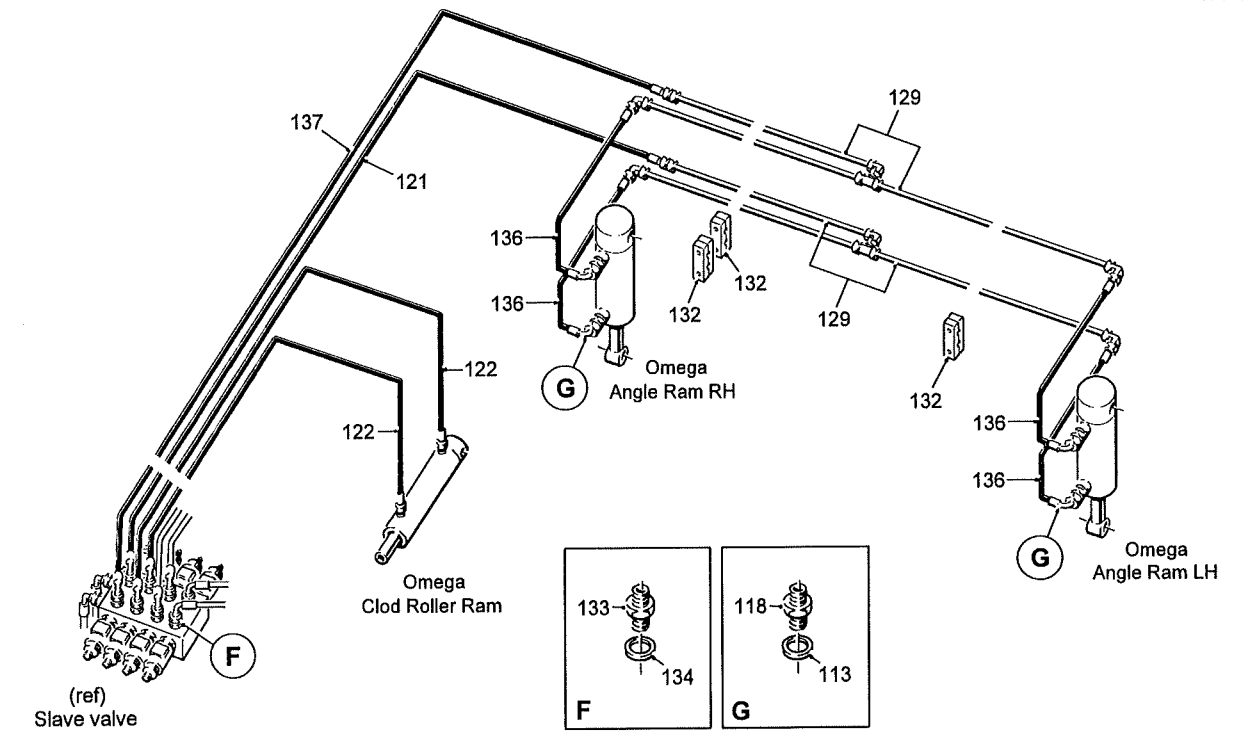
6.4a

T2 SPARE PARTS

3R OMEGA (237mm centres) Assy No 59020B



T2-SP407



T2 SPARE PARTS**6.4b****3R OMEGA (237mm centres)****Assy No 59020B**

Item	Part No.	Description	Qty.	Remarks
1	22016010/020	M10x20 CSK Socket Head Screw	24	
2				
3	32037/1	Proximity Sensor	2	
4	32037/2	Sensor Cable (5m)	1	
5	32037/4	Sensor Cable (10m)	1	
6	33130/16	Ø50 External Circlip	9	
7	44563	Hydraulic Motor	3	
8	RPH850.306210	Hydraulic Motor	3	
9				
10	55122	Linear Sensor (100mm stroke)	2	
11	56112	Diverter Valve	2	
12				
13	56679A	Hydraulic Ram (60mm stroke)	1	
14	56690	Ram Eye	1	
15	59934C	6-Lip LH Cavity Scroll (X = 10mm)	19	LH Solid Scroll 59934S
	59936C	6-Lip LH Cavity Scroll (X = 6mm)	19	LH Solid Scroll 59936S
	64708	4-Lip LH Cavity Scroll (X = 10mm)	19	
	70007	4-Lip LH Cavity Scroll (X = 6mm)	19	
16	59935C	6-Lip RH Cavity Scroll (X = 10mm)	11	RH Solid Scroll 59935S
	59937C	6-Lip RH Cavity Scroll (X = 6mm)	11	RH Solid Scroll 59937S
	64709	4-Lip RH Cavity Scroll (X = 10mm)	11	
	70008	4-Lip RH Cavity Scroll (X = 6mm)	11	
17				
18				
19				
20	59136A/1800	Scroll Shaft	3	
21	59143	Bearing Boss (M10 horizontal bearing)	3	
22	62648A	LH Carrier Plate	3	Prior to 2023 was 62648
23	62649A	RH Carrier Plate	3	Prior to 2023 was 62649
24	59708B	Clod Roller Plate LH	3	Prior to 2023 was 59708
25	59148B	Clod Roller Plate RH	3	Prior to 2023 was 59148
26				
27	64012	Sensor Disc	2	
28	64849	Clamp Plate	4	
29	64860	Sensor Mounting Bolt	1	
30				
31	59153	Hydraulic Ram	2	
32	59162	Pivot Pin	6	
33	59163	Pivot Flange Bush	6	
34	59164/1800	Clod Roller Scraper	3	
35	59165/1800	Clod Roller Lift Shaft	1	
36	59166	Clod Roller Lift Arm	1	
37	59170	Connecting Link (3 holes)	2	
38	70123	LH Link	1	
39	70124	RH Link	1	
40	59173	Shoulder Bolt (short)	4	
41	59174	Shoulder Bolt (long)	2	
42	59175	Pivot Flange Bush	12	
43	59176	Tapped Boss (long)	2	
44	59177	Tapped Boss (short)	2	
45				

3R OMEGA (237mm centres)

Assy No 59020B

Item	Part No.	Description	Qty.	Remarks
46	59709/1800	Ø76 Ebonite Clod Roller	3	Option
	59714/1800	Ø76 Mild Steel Clod Roller	3	Option
	59715/1800	Ø73 Stainless Steel Clod Roller	3	Option
	62863/1800	Ø76 Rubber Clod Roller	3	Option
47	59529	Motor Mount	3	
48	59348	End Cap (Ø45 bore)	3	
48a	59348A	End Cap (Ø50 bore)	3	
49	59533	Motor Boss (M12 horizontal bearing)	3	
50	59352	Carrier Plate Tie	6	
51	70118	3 Roller Omega Frame (Y = 237mm)	1	
52				
53				
54	62652	Deflector Plate LH (short)	3	
55	62653	Deflector Plate RH (short)	3	
56	62912	Sensor Bracket	1	
57	64013	Sensor Bracket	1	
58	59396	Ø42 Exhaust Clamp	1	
59	59397	Ø60 Exhaust Clamp	1	
60	59398	Ø42 Ram Body Bracket	1	
61	59399	Ø42 Ram Piston Bracket	1	
62				
63				
64				
65	60102RS	Bearing	6	
66				
67	22012016/140	M16x140 Bolt	6	
68	DW25131	Compression Spring	6	
69				
70	LFTC35A	Bearing	3	
71				
72				
73	RPC648.061001	Grease Nipple 45°	5	
74				
75	22012012/090	M12x90 Bolt	2	
76	22052012	M12 Spring Washer	2	
77				
78				
79				
80				
81				
82	60062RS	Bearing	6	
83	W0111	Ø55 Internal Circlip	3	
84	W0117	Ø45 External Circlip	3	
85	W0161	Ø80 Internal Circlip	6	
86				
87				
88				
89				
90	SS038025/032	Steel Spacer	3	
91	SS040011/003	Steel Spacer	3	
92	SS045013/006	Steel Spacer	2	
93				
94	70090	Pivot Boss (with removal thread)	2	
95	70114	Ram Mounting Bracket	2	

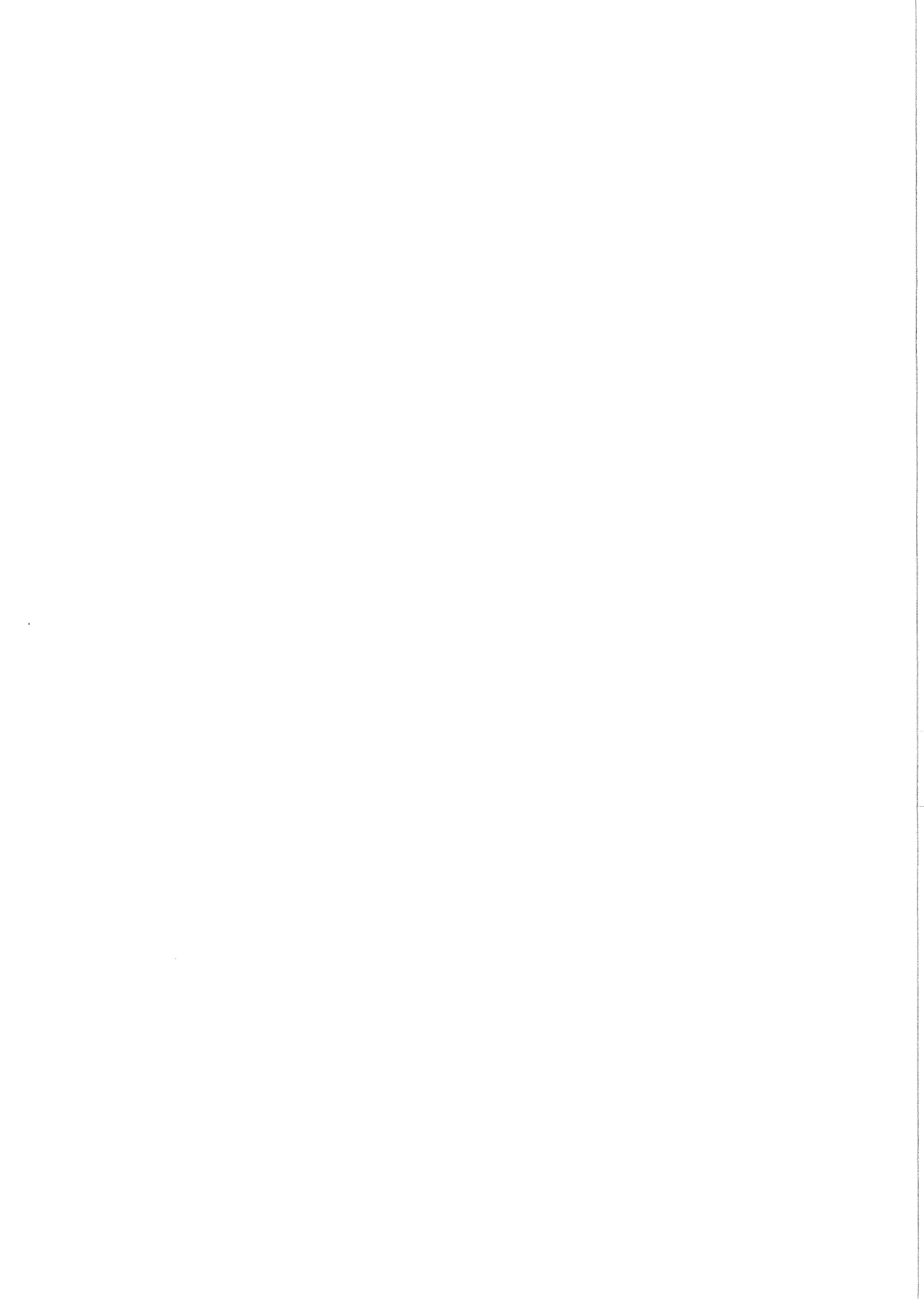
T2 SPARE PARTS

6.4d

3R OMEGA (237mm centres)

Assy No 59020B

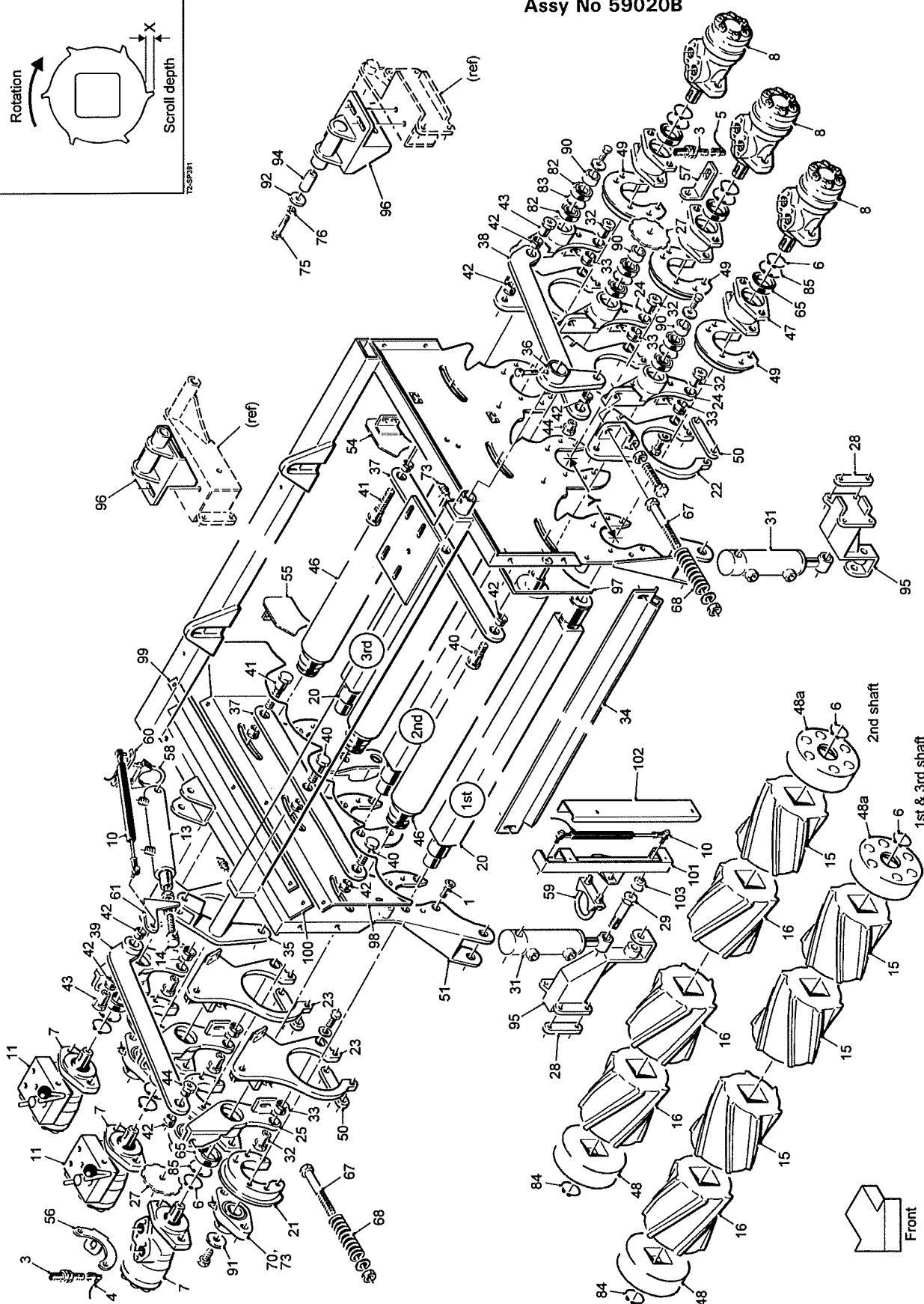
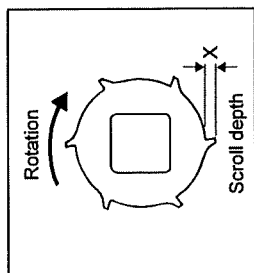
Item	Part No.	Description	Qty.	Remarks
96	70115	Omega Pivot Bracket	2	
97	70119	Stainless Panel LH	1	
98	70120	Stainless Panel RH	1	
99	70121	Clamp Strip	2	
100	70122	Rubber Deflector	2	
101	70172	Sensor Bracket	1	
102	70173	Sensor Cover	1	
103	70174	Top Hat Spacer	1	
104				
105				
106				
107				
108				
109				
110				
111				
		Hydraulic Components Consist Of:		
112	11124	1/2"BSP Dowty Seal	12	
113	11337	1/4"BSP Dowty Seal	4	
114	11295	1/2"BSPx3/4"BSP M M Adaptor	4	
115	60978	3/4"Hose Assembly (1850mm)	1	
116				
117	12315	1/2"BSP M M Adaptor	8	
118	12316	1/4"BSP M M Adaptor	4	
119				
120	41115	3/4"BSP M F Compact 90°Adaptor	1	
121	60413	1/4" Hose Assembly (2050mm)	1	
122	60994	1/4"Hose Assembly (1950mm)	2	
123	71033	3/4"Hose Assembly (4650mm)	1	Was 60976
124	71034	3/4"Hose Assembly (4250mm)	1	Was 60977
125	60431	1/2"Hose Assembly (450mm)	1	
126	60490	1/2"Hose Assembly (500mm)	1	
127	60566	1/2"Hose Assembly (500mm)	2	
128	41273	3/4"Hose Assembly (2800mm)	1	
129	60959	Ø10 Steel Pipe Assembly	2	
130				
131	62966	Hose Clamp	3	
132	64996	Pipe Clamp (10-10)	3	
133	44207	M14x1/4"BSP M M Adaptor	4	
134	44208	M14 Dowty Seal	4	
135				
136	71031	1/4"Hose Assembly (1600mm)	4	
137	71032	1/4"Hose Assembly (2150mm)	1	



Machines from Serial No T2-284

3R OMEGA (237mm centres)

Assy No 59020B



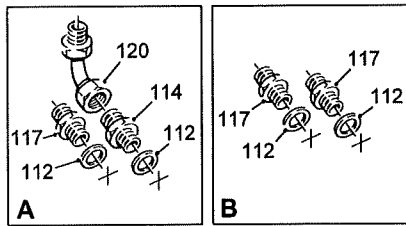
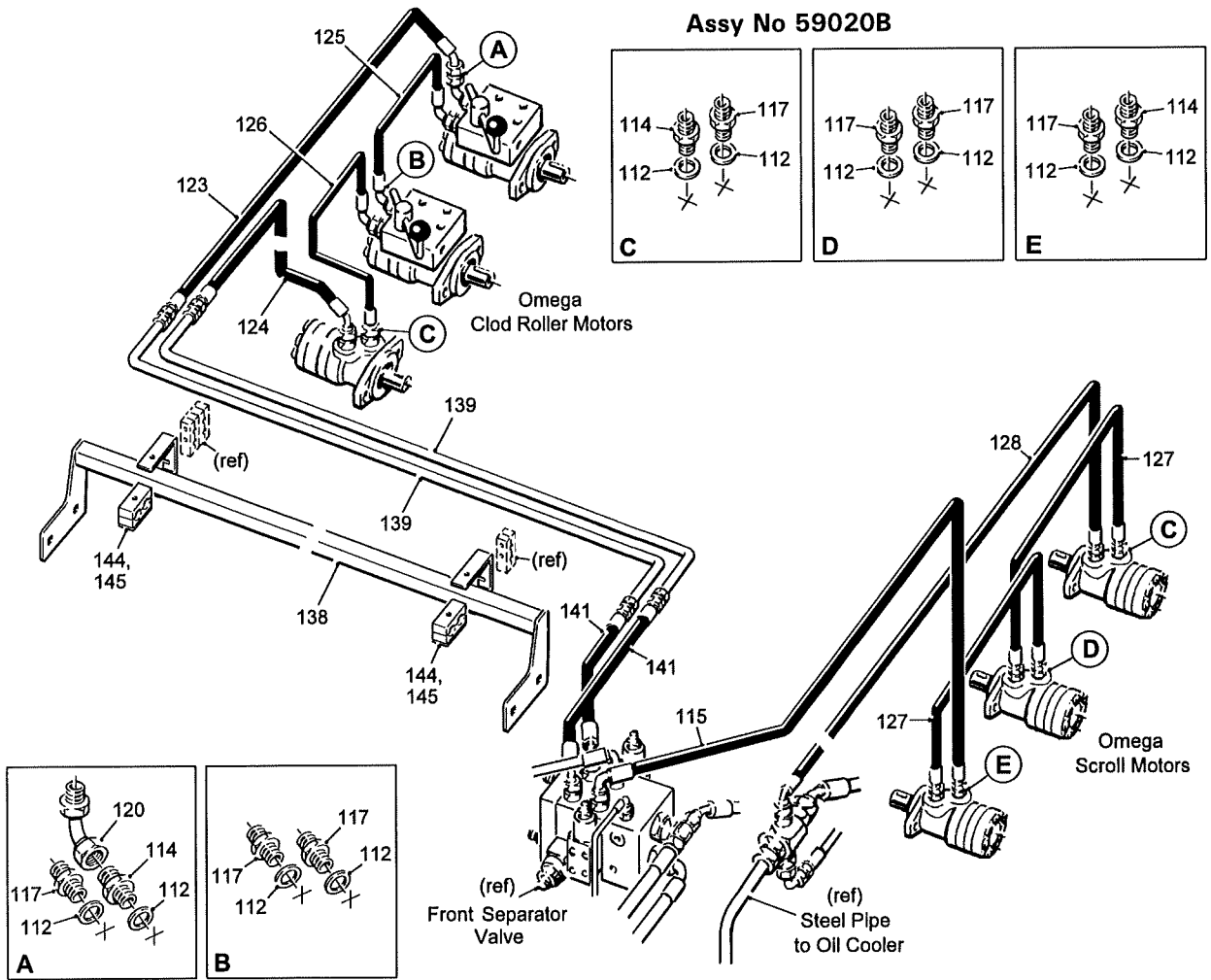
6.4a

T2 SPARE PARTS

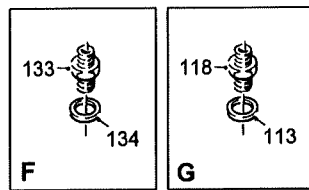
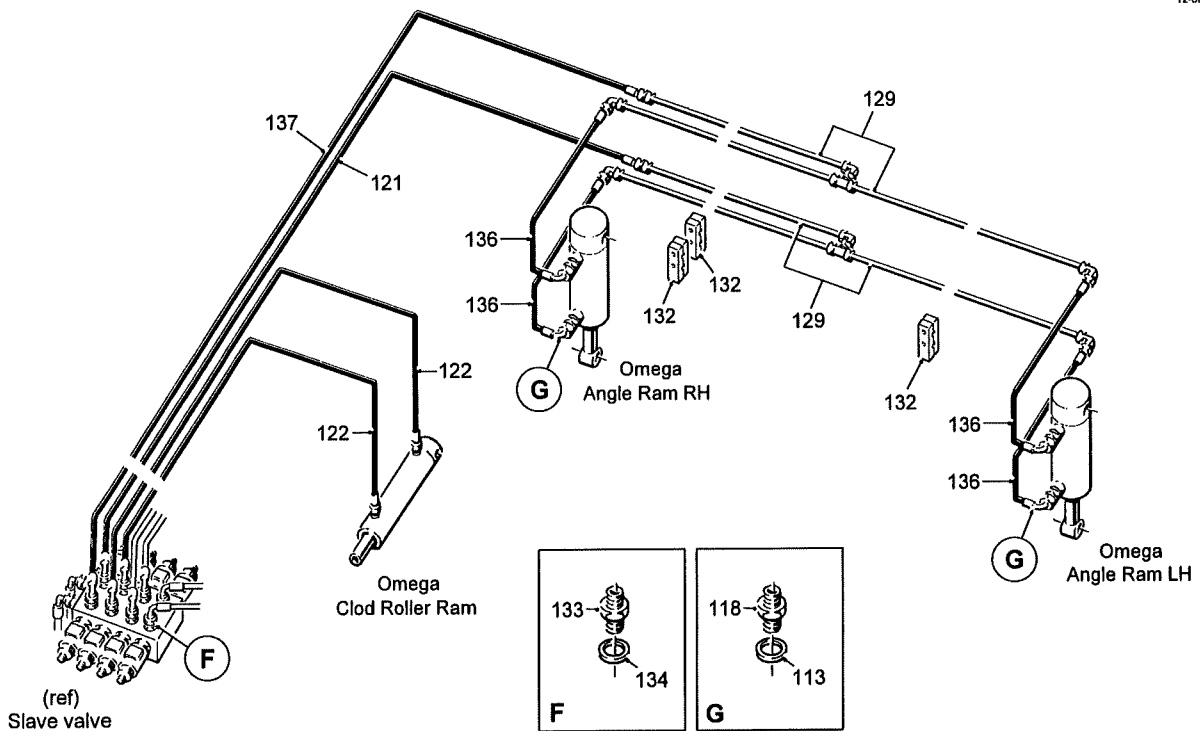
Machines from Serial No T2-284

3R OMEGA (237mm centres)

Assy No 59020B



T2-SP431



T2 SPARE PARTS**6.4b**

Machines from Serial No T2-284

3R OMEGA (237mm centres)**Assy No 59020B**

Item	Part No.	Description	Qty.	Remarks
1	22016010/020	M10x20 CSK Socket Head Screw	24	
2				
3	32037/1	Proximity Sensor	2	
4	32037/2	Sensor Cable (5m)	1	
5	32037/4	Sensor Cable (10m)	1	
6	33130/16	Ø50 External Circlip	9	
7	44563	Hydraulic Motor	3	
8	RPH850.306210	Hydraulic Motor	3	
9				
10	55122	Linear Sensor (100mm stroke)	2	
11	56112	Diverter Valve	2	
12				
13	56679A	Hydraulic Ram (60mm stroke)	1	
14	56690	Ram Eye	1	
15	59934C	6-Lip LH Cavity Scroll (X = 10mm)	19	LH Solid Scroll 59934S
	59936C	6-Lip LH Cavity Scroll (X = 6mm)	19	LH Solid Scroll 59936S
	64708	4-Lip LH Cavity Scroll (X = 10mm)	19	
	70007	4-Lip LH Cavity Scroll (X = 6mm)	19	
16	59935C	6-Lip RH Cavity Scroll (X = 10mm)	11	RH Solid Scroll 59935S
	59937C	6-Lip RH Cavity Scroll (X = 6mm)	11	RH Solid Scroll 59937S
	64709	4-Lip RH Cavity Scroll (X = 10mm)	11	
	70008	4-Lip RH Cavity Scroll (X = 6mm)	11	
17				
18				
19				
20	59136A/1800	Scroll Shaft	3	
21	59143	Bearing Boss (M10 horizontal bearing)	3	
22	62648A	LH Carrier Plate	3	
23	62649A	RH Carrier Plate	3	
24	59708B	Clod Roller Plate LH	3	
25	59148B	Clod Roller Plate RH	3	
26				
27	64012	Sensor Disc	2	
28	64849	Clamp Plate	4	
29	64860	Sensor Mounting Bolt	1	
30				
31	59153	Hydraulic Ram	2	
32	59162	Pivot Pin	6	
33	59163	Pivot Flange Bush	6	
34	59164/1800	Clod Roller Scraper	3	
35	59165/1800	Clod Roller Lift Shaft	1	
36	59166	Clod Roller Lift Arm	1	
37	59170	Connecting Link (3 holes)	2	
38	70123	LH Link	1	
39	70124	RH Link	1	
40	59173	Shoulder Bolt (short)	4	
41	59174	Shoulder Bolt (long)	2	
42	59175	Pivot Flange Bush	12	
43	59176	Tapped Boss (long)	2	
44	59177	Tapped Boss (short)	2	
45				

6.4c

T2 SPARE PARTS

Machines from Serial No T2-284

3R OMEGA (237mm centres)

Assy No 59020B

Item	Part No.	Description	Qty.	Remarks
46	59709/1800	Ø76 Ebonite Clod Roller	3	Option
	59714/1800	Ø76 Mild Steel Clod Roller	3	Option
	59715/1800	Ø73 Stainless Steel Clod Roller	3	Option
	62863/1800	Ø76 Rubber Clod Roller	3	Option
47	59529	Motor Mount	3	
48	59348	End Cap (Ø45 bore)	3	
48a	59348A	End Cap (Ø50 bore)	3	
49	59533	Motor Boss (M12 horizontal bearing)	3	
50	59352	Carrier Plate Tie	6	
51	70118	3 Roller Omega Frame (Y = 237mm)	1	
52				
53				
54	62652	Deflector Plate LH (short)	3	
55	62653	Deflector Plate RH (short)	3	
56	62912	Sensor Bracket	1	
57	64013	Sensor Bracket	1	
58	59396	Ø42 Exhaust Clamp	1	
59	59397	Ø60 Exhaust Clamp	1	
60	59398	Ø42 Ram Body Bracket	1	
61	59399	Ø42 Ram Piston Bracket	1	
62				
63				
64				
65	60102RS	Bearing	6	
66				
67	22012016/140	M16x140 Bolt	6	
68	DW25131	Compression Spring	6	
69				
70	LFTC35A	Bearing	3	
71				
72				
73	RPC648.061001	Grease Nipple 45°	5	
74				
75	22012012/090	M12x90 Bolt	2	
76	22052012	M12 Spring Washer	2	
77				
78				
79				
80				
81				
82	60062RS	Bearing	6	
83	W0111	Ø55 Internal Circlip	3	
84	W0117	Ø45 External Circlip	3	
85	W0161	Ø80 Internal Circlip	6	
86				
87				
88				
89				
90	SS038025/032	Steel Spacer	3	
91	SS040011/003	Steel Spacer	3	
92	SS045013/006	Steel Spacer	2	
93				
94	70090	Pivot Boss (with removal thread)	2	
95	70114	Ram Mounting Bracket	2	

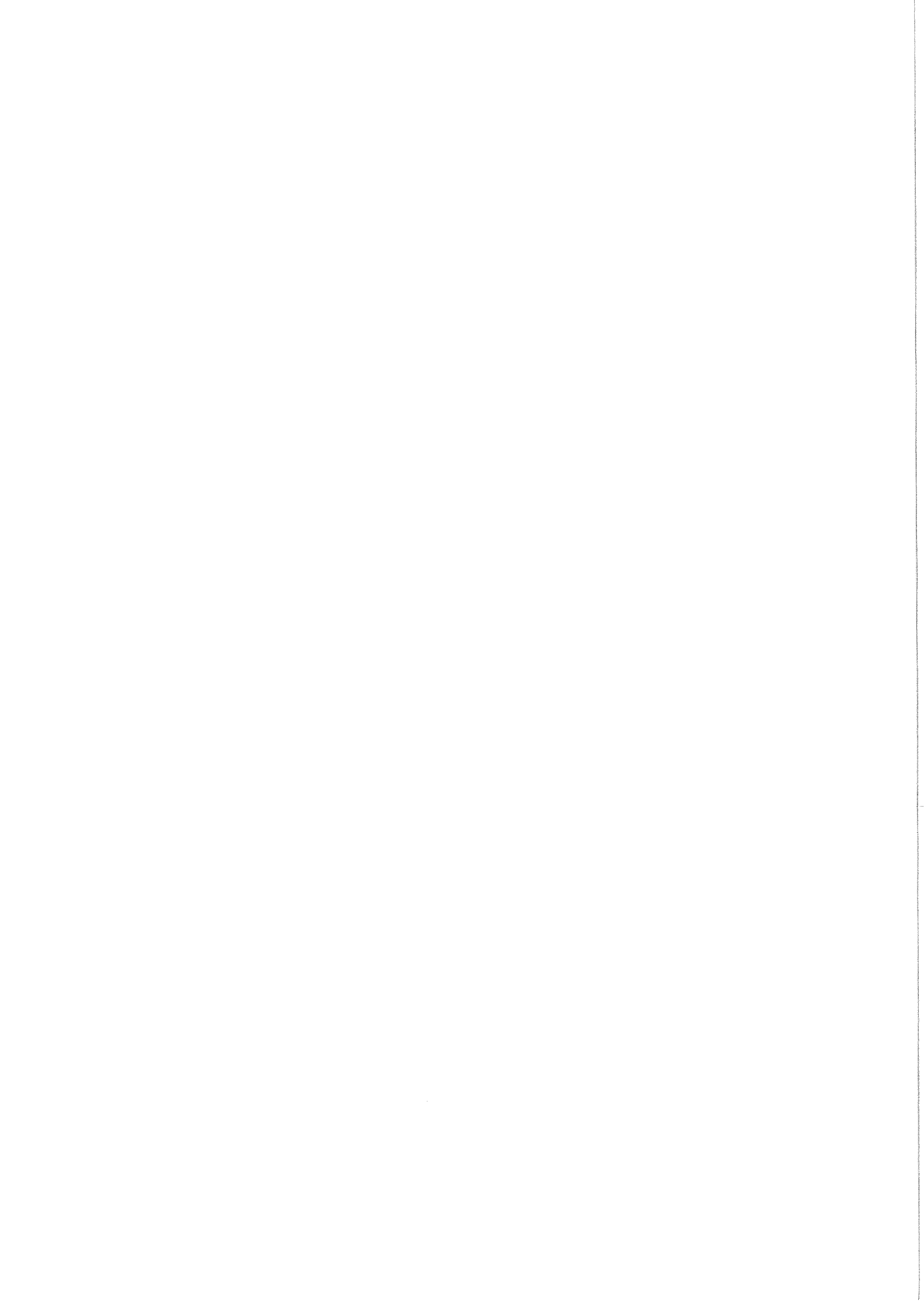
T2 SPARE PARTS**6.4d**

Machines from Serial No T2-284

3R OMEGA (237mm centres)

Assy No 59020B

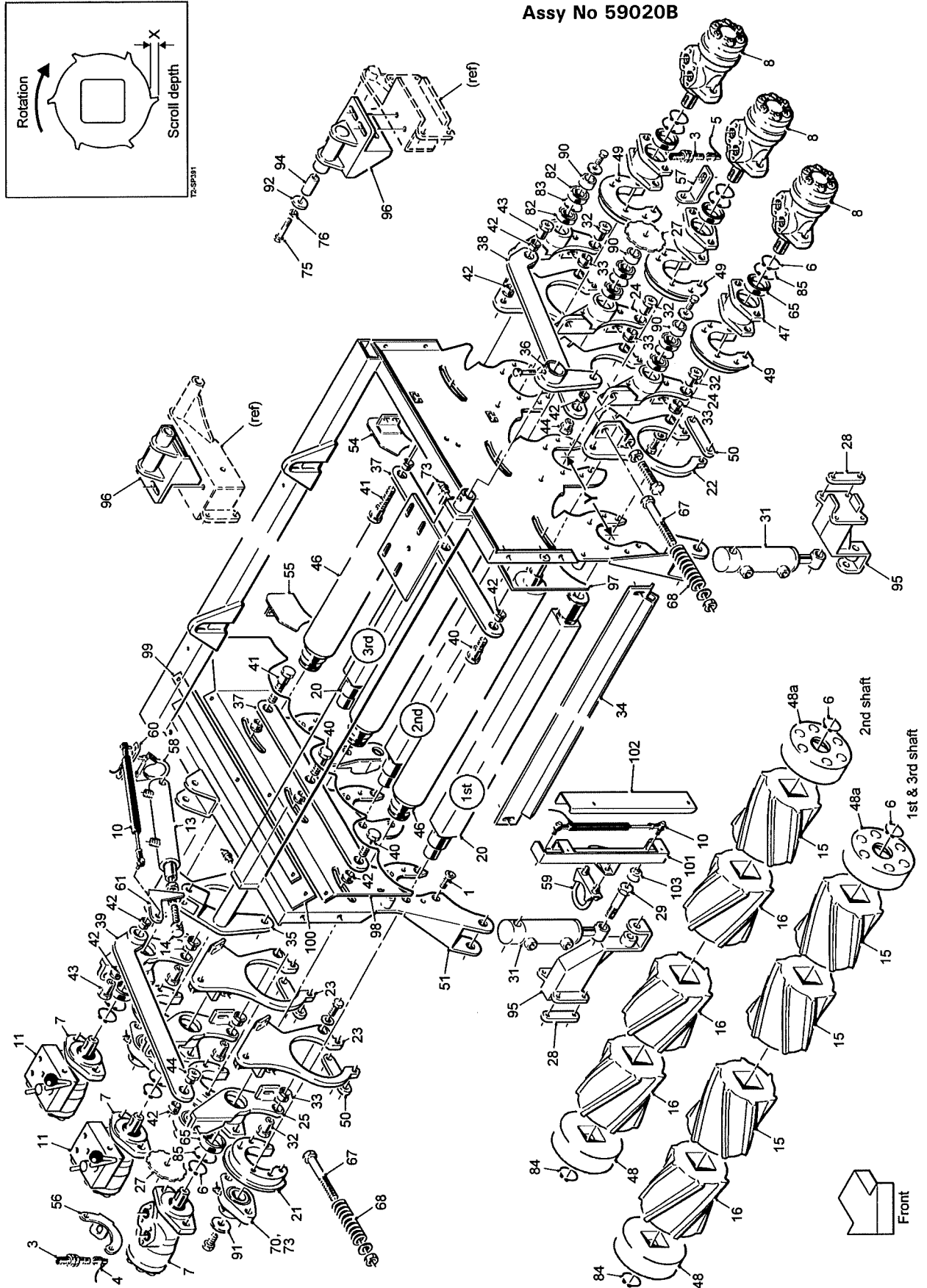
Item	Part No.	Description	Qty.	Remarks
96	70115	Omega Pivot Bracket	2	
97	70119	Stainless Panel LH	1	
98	70120	Stainless Panel RH	1	
99	70121	Clamp Strip	2	
100	70122	Rubber Deflector	2	
101	70172	Sensor Bracket	1	
102	70173	Sensor Cover	1	
103	70174	Top Hat Spacer	1	
104				
105				
106				
107				
108				
109				
110				
111				
		Hydraulic Components Consist Of:		
112	11124	1/2"BSP Dowty Seal	12	
113	11337	1/4"BSP Dowty Seal	4	
114	11295	1/2"BSPx3/4"BSP M M Adaptor	4	
115	60978	3/4"Hose Assembly (1850mm)	1	
116				
117	12315	1/2"BSP M M Adaptor	8	
118	12316	1/4"BSP M M Adaptor	4	
119				
120	12350	3/4"BSP M F Swept 90° Adaptor	1	
121	60413	1/4" Hose Assembly (2050mm)	1	
122	60994	1/4"Hose Assembly (1950mm)	2	
123	60487	3/4"Hose Assembly (1150)	1	
124	60981	3/4"Hose Assembly (1050mm)	1	
125	60431	1/2"Hose Assembly (450mm)	1	
126	60490	1/2"Hose Assembly (500mm)	1	
127	60566	1/2"Hose Assembly (500mm)	2	
128	41273	3/4"Hose Assembly (2800mm)	1	
129	60959	Ø10 Steel Pipe Assembly	2	
130				
131				
132	64995A	Pipe Clamp (10-10)	3	
133	44207	M14x1/4"BSP M M Adaptor	4	
134	44208	M14 Dowty Seal	4	
135				
136	71031	1/4"Hose Assembly (1600mm)	4	
137	71032	1/4"Hose Assembly (2150mm)	1	
138	70249	Pipe Bracket	1	
139	70250	Ø25 Steel Pipe Assembly	2	
140				
141	41182	3/4"Hose Assembly (600mm)	2	
142				
143				
144	RPC654.300948/2	Pipe Clamp (25-25)	2 pair	
145	RPC654.300948/3	Clamp Plate	2	



Machines from Serial No T2-288

3R OMEGA (237mm centres)

Assy No 59020B



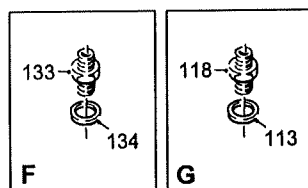
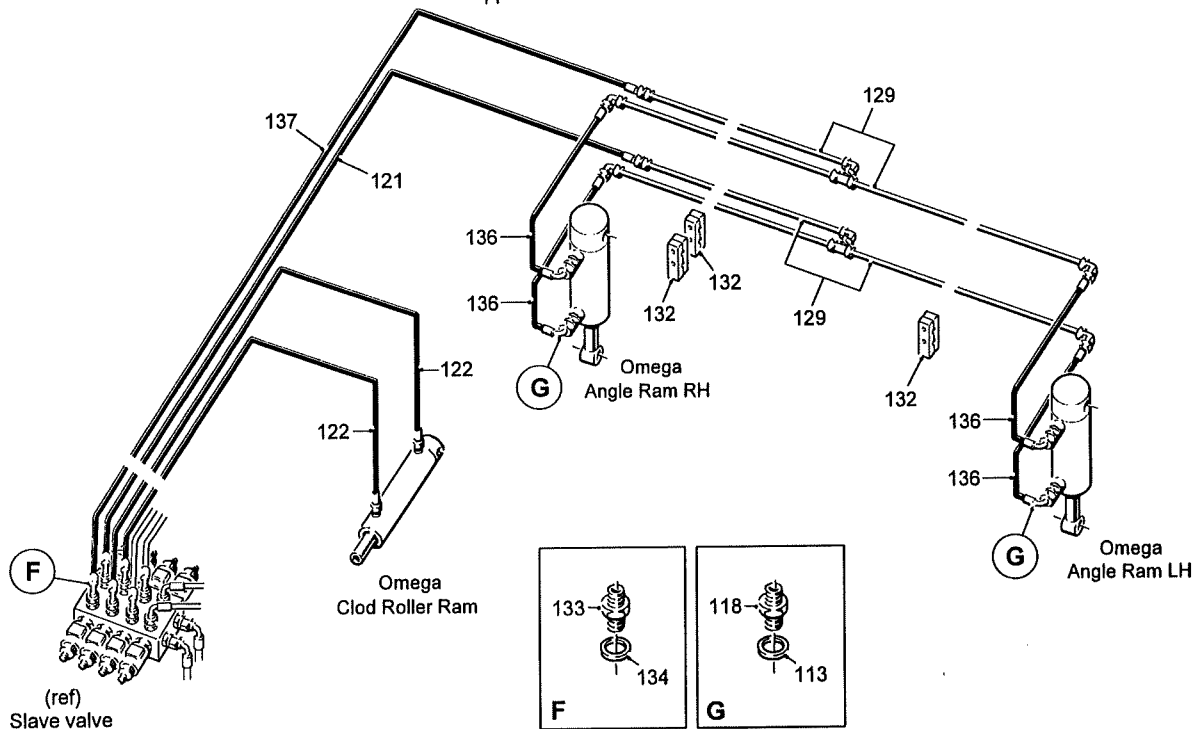
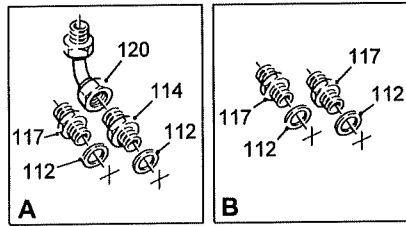
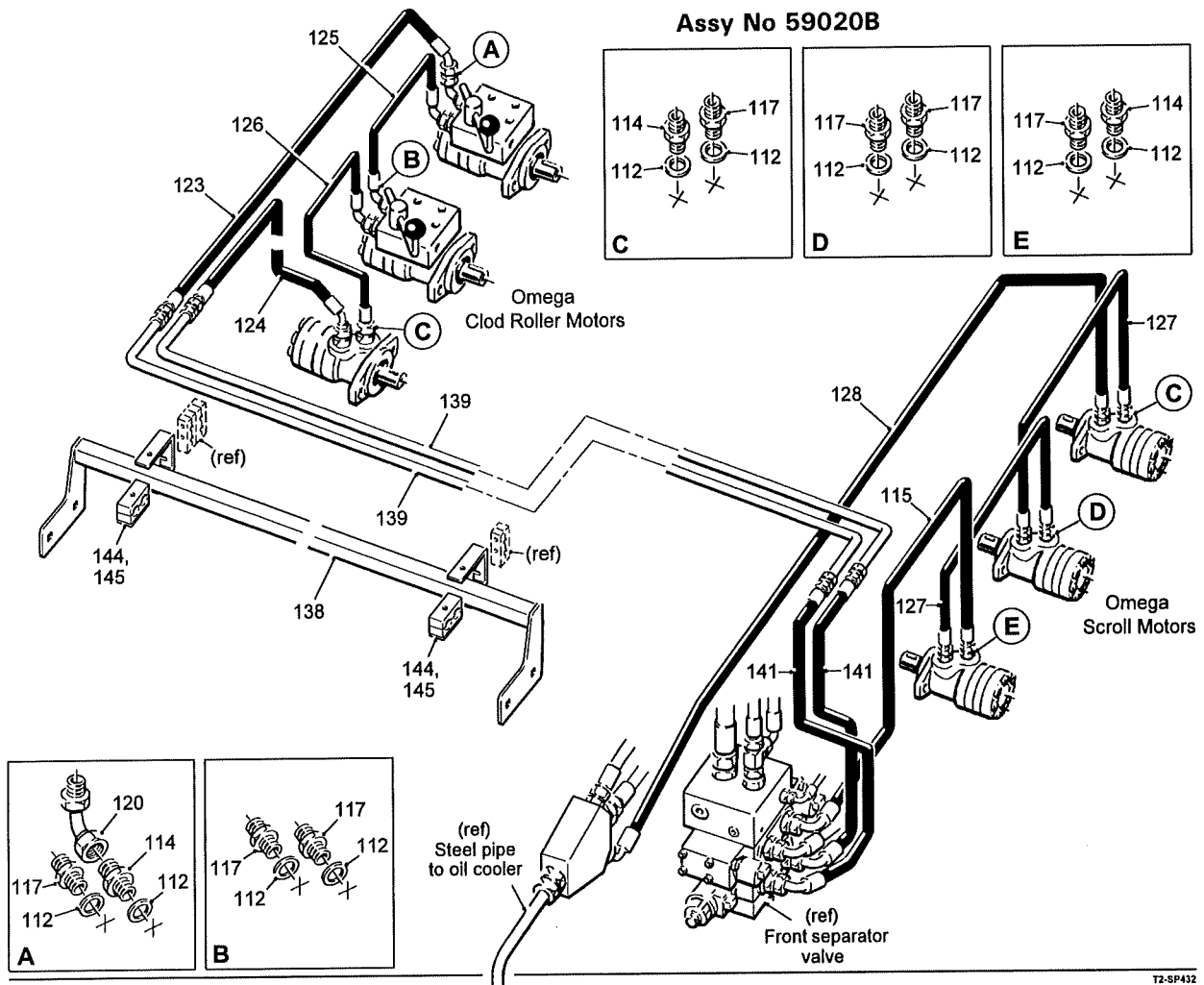
6.4a

T2 SPARE PARTS

Machines from Serial No T2-288

3R OMEGA (237mm centres)

Assy No 59020B



T2-SP432

T2 SPARE PARTS**6.4b**

Machines from Serial No T2-288

3R OMEGA (237mm centres)**Assy No 59020B**

Item	Part No.	Description	Qty.	Remarks
1	22016010/020	M10x20 CSK Socket Head Screw	24	
2				
3	32037/1	Proximity Sensor	2	
4	32037/2	Sensor Cable (5m)	1	
5	32037/4	Sensor Cable (10m)	1	
6	33130/16	Ø50 External Circlip	9	
7	44563	Hydraulic Motor	3	
8	RPH850.306210	Hydraulic Motor	3	
9				
10	55122	Linear Sensor (100mm stroke)	2	
11	56112	Diverter Valve	2	
12				
13	56679A	Hydraulic Ram (60mm stroke)	1	
14	56690	Ram Eye	1	
15	59934C	6-Lip LH Cavity Scroll (X = 10mm)	19	LH Solid Scroll 59934S
	59936C	6-Lip LH Cavity Scroll (X = 6mm)	19	LH Solid Scroll 59936S
	64708	4-Lip LH Cavity Scroll (X = 10mm)	19	
	70007	4-Lip LH Cavity Scroll (X = 6mm)	19	
16	59935C	6-Lip RH Cavity Scroll (X = 10mm)	11	RH Solid Scroll 59935S
	59937C	6-Lip RH Cavity Scroll (X = 6mm)	11	RH Solid Scroll 59937S
	64709	4-Lip RH Cavity Scroll (X = 10mm)	11	
	70008	4-Lip RH Cavity Scroll (X = 6mm)	11	
17				
18				
19				
20	59136A/1800	Scroll Shaft	3	
21	59143	Bearing Boss (M10 horizontal bearing)	3	
22	62648A	LH Carrier Plate	3	
23	62649A	RH Carrier Plate	3	
24	59708B	Clod Roller Plate LH	3	
25	59148B	Clod Roller Plate RH	3	
26				
27	64012	Sensor Disc	2	
28	64849	Clamp Plate	4	
29	64860	Sensor Mounting Bolt	1	
30				
31	59153	Hydraulic Ram	2	
32	59162	Pivot Pin	6	
33	59163	Pivot Flange Bush	6	
34	59164/1800	Clod Roller Scraper	3	
35	59165/1800	Clod Roller Lift Shaft	1	
36	59166	Clod Roller Lift Arm	1	
37	59170	Connecting Link (3 holes)	2	
38	70123	LH Link	1	
39	70124	RH Link	1	
40	59173	Shoulder Bolt (short)	4	
41	59174	Shoulder Bolt (long)	2	
42	59175	Pivot Flange Bush	12	
43	59176	Tapped Boss (long)	2	
44	59177	Tapped Boss (short)	2	
45				

6.4c

T2 SPARE PARTS

Machines from Serial No T2-288

3R OMEGA (237mm centres)

Assy No 59020B

Item	Part No.	Description	Qty.	Remarks
46	59709/1800	Ø76 Ebonite Clod Roller	3	Option
	59714/1800	Ø76 Mild Steel Clod Roller	3	Option
	59715/1800	Ø73 Stainless Steel Clod Roller	3	Option
	62863/1800	Ø76 Rubber Clod Roller	3	Option
47	59529	Motor Mount	3	
48	59348	End Cap (Ø45 bore)	3	
48a	59348A	End Cap (Ø50 bore)	3	
49	59533	Motor Boss (M12 horizontal bearing)	3	
50	59352	Carrier Plate Tie	6	
51	70118	3 Roller Omega Frame (Y = 237mm)	1	
52				
53				
54	62652	Deflector Plate LH (short)	3	
55	62653	Deflector Plate RH (short)	3	
56	62912	Sensor Bracket	1	
57	64013	Sensor Bracket	1	
58	59396	Ø42 Exhaust Clamp	1	
59	59397	Ø60 Exhaust Clamp	1	
60	59398	Ø42 Ram Body Bracket	1	
61	59399	Ø42 Ram Piston Bracket	1	
62				
63				
64				
65	60102RS	Bearing	6	
66				
67	22012016/140	M16x140 Bolt	6	
68	DW25131	Compression Spring	6	
69				
70	LFTC35A	Bearing	3	
71				
72				
73	RPC648.061001	Grease Nipple 45°	5	
74				
75	22012012/090	M12x90 Bolt	2	
76	22052012	M12 Spring Washer	2	
77				
78				
79				
80				
81				
82	60062RS	Bearing	6	
83	W0111	Ø55 Internal Circlip	3	
84	W0117	Ø45 External Circlip	3	
85	W0161	Ø80 Internal Circlip	6	
86				
87				
88				
89				
90	SS038025/032	Steel Spacer	3	
91	SS040011/003	Steel Spacer	3	
92	SS045013/006	Steel Spacer	2	
93				
94	70090	Pivot Boss (with removal thread)	2	
95	70114	Ram Mounting Bracket	2	

T2 SPARE PARTS

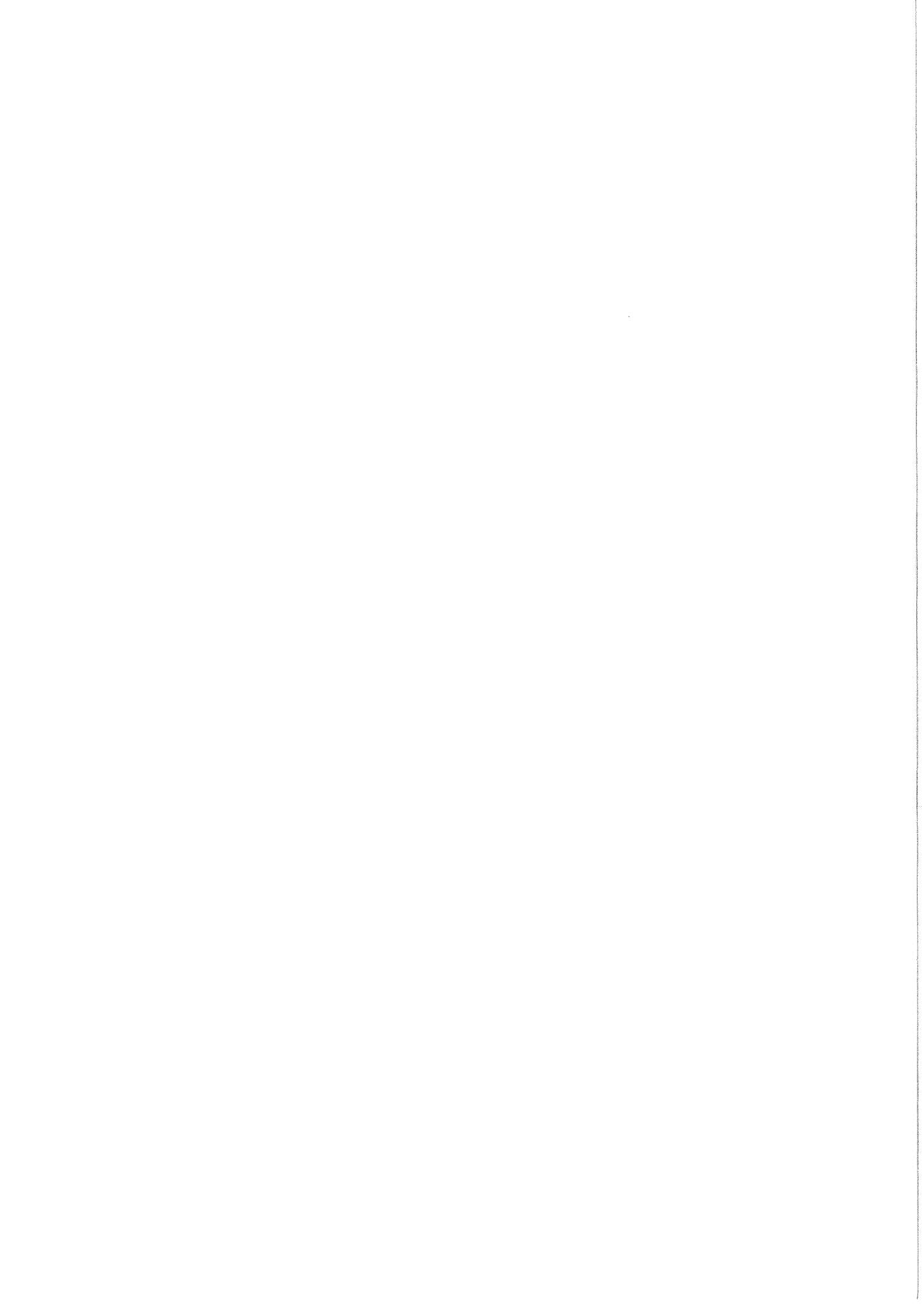
6.4d

Machines from Serial No T2-288

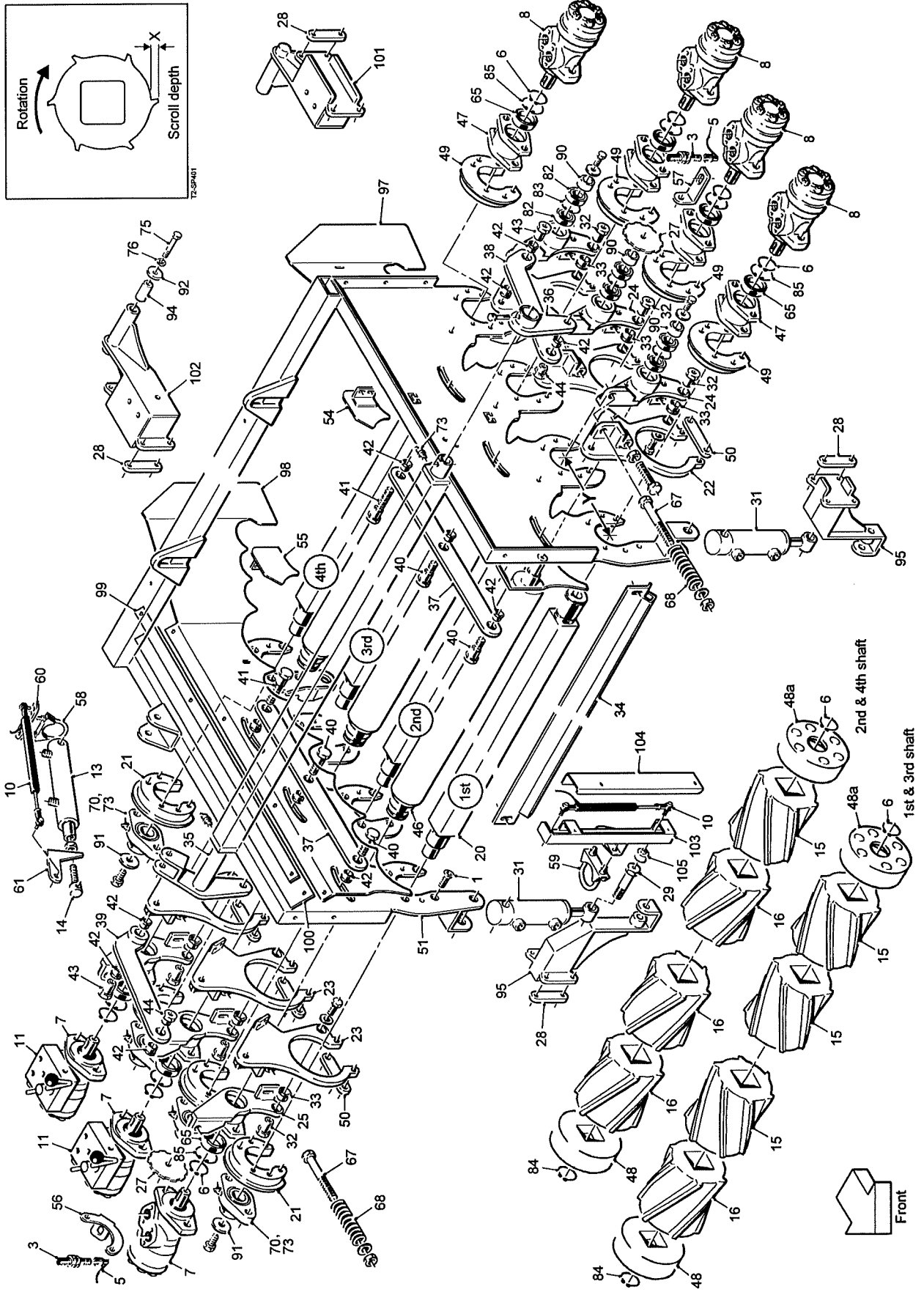
3R OMEGA (237mm centres)

Assy No 59020B

Item	Part No.	Description	Qty.	Remarks
96	70115	Omega Pivot Bracket	2	
97	70119	Stainless Panel LH	1	
98	70120	Stainless Panel RH	1	
99	70121	Clamp Strip	2	
100	70122	Rubber Deflector	2	
101	70172	Sensor Bracket	1	
102	70173	Sensor Cover	1	
103	70174	Top Hat Spacer	1	
104				
105				
106				
107				
108				
109				
110				
111				
		Hydraulic Components Consist Of:		
112	11124	1/2"BSP Dowty Seal	12	
113	11337	1/4"BSP Dowty Seal	4	
114	11295	1/2"BSPx3/4"BSP M M Adaptor	4	
115	60660	3/4"Hose Assembly (2200mm)	1	
116				
117	12315	1/2"BSP M M Adaptor	8	
118	12316	1/4"BSP M M Adaptor	4	
119				
120	12350	3/4"BSP M F Swept 90° Adaptor	1	
121	60413	1/4" Hose Assembly (2050mm)	1	
122	60994	1/4"Hose Assembly (1950mm)	2	
123	60487	3/4"Hose Assembly (1150)	1	
124	60981	3/4"Hose Assembly (1050mm)	1	
125	60431	1/2"Hose Assembly (450mm)	1	
126	60490	1/2"Hose Assembly (500mm)	1	
127	60566	1/2"Hose Assembly (500mm)	2	
128	60803	3/4"Hose Assembly (2700mm)	1	
129	60959	Ø10 Steel Pipe Assembly	2	
130				
131				
132	64995A	Pipe Clamp (10-10)	3	
133	44207	M14x1/4"BSP M M Adaptor	4	
134	44208	M14 Dowty Seal	4	
135				
136	71031	1/4"Hose Assembly (1600mm)	4	
137	71032	1/4"Hose Assembly (2150mm)	1	
138	70249	Pipe Bracket	1	
139	70250	Ø25 Steel Pipe Assembly	2	
140				
141	60516	3/4"Hose Assembly (1600mm)	2	
142				
143				
144	RPC654.300948/2	Pipe Clamp (25-25)	2 pair	
145	RPC654.300948/3	Clamp Plate	2	



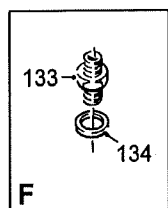
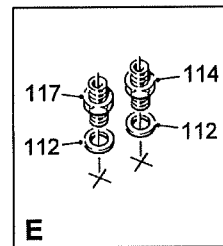
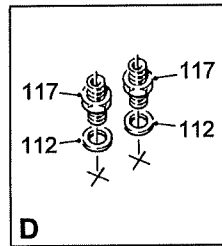
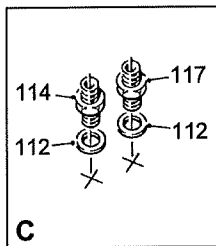
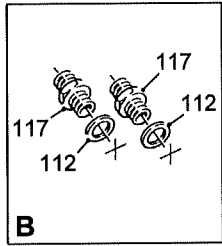
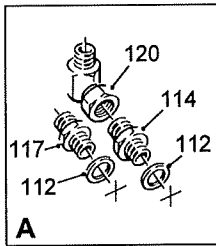
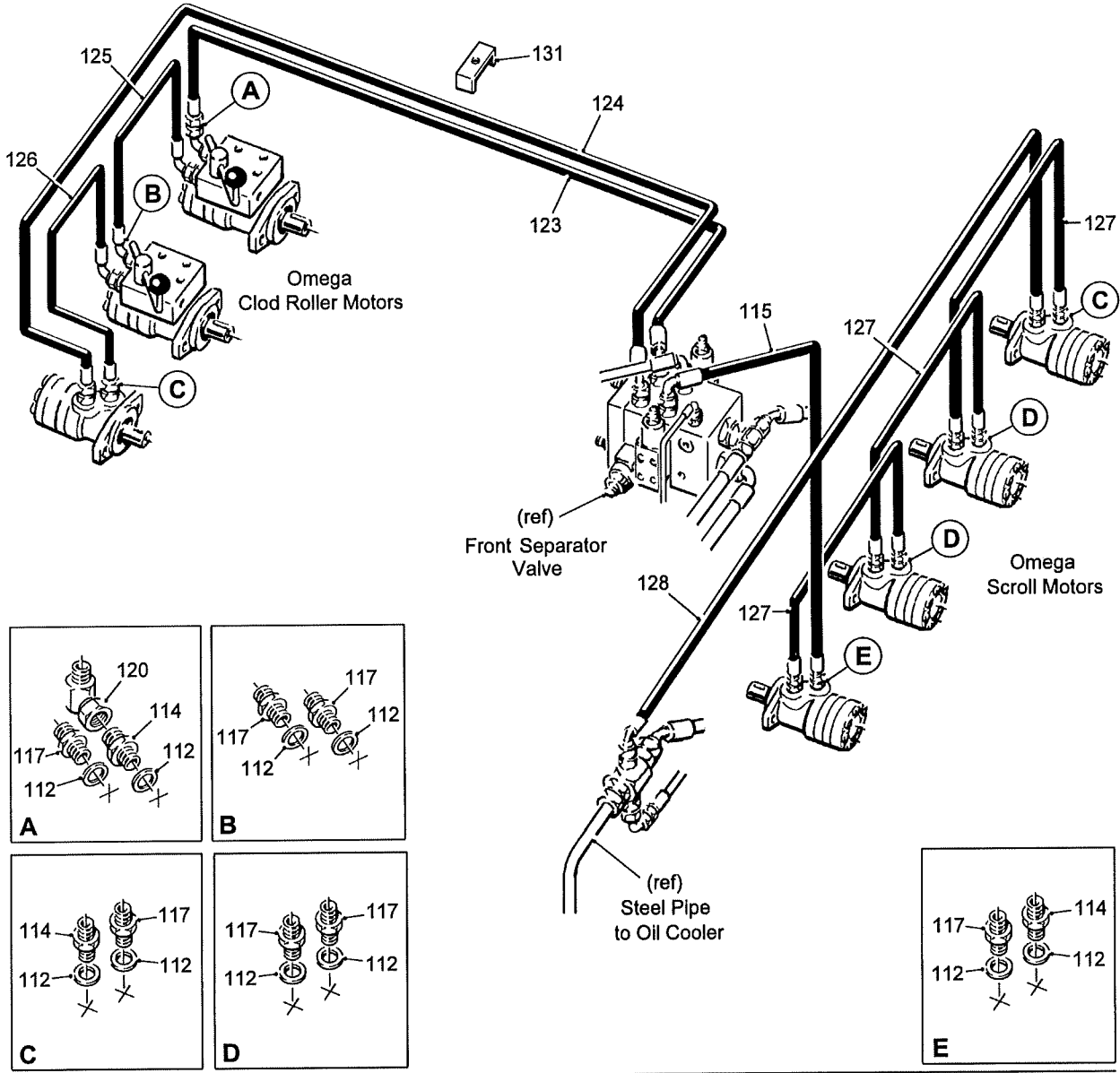
4R OMEGA (237mm centres) Assy No 70156



6.5a

T2 SPARE PARTS

4R OMEGA (237mm centres)
 Assy No 70156



T2-SP402

T2 SPARE PARTS**6.5b****4R OMEGA (237mm centres)****Assy No 70156**

Item	Part No.	Description	Qty.	Remarks
1	22016010/020	M10x20 CSK Socket Head Screw	32	
2				
3	32037/1	Proximity Sensor	2	
4				
5	32037/4	Sensor Cable (10m)	2	
6	33130/16	Ø50 External Circlip	11	
7	44563	Hydraulic Motor	3	
8	RPH850.306210	Hydraulic Motor	4	
9				
10	55122	Linear Sensor (100mm stroke)	2	
11	56112	Diverter Valve	2	
12				
13	56679	Hydraulic Ram	1	
14	56690	Ram Eye	1	
15	59934C	6-Lip LH Cavity Scroll (X = 10mm)	20	LH Solid Scroll 59934S
	59936C	6-Lip LH Cavity Scroll (X = 6mm)	20	LH Solid Scroll 59936S
	64708	4-Lip LH Cavity Scroll (X = 10mm)	20	
	70007	4-Lip LH Cavity Scroll (X = 6mm)	20	
16	59935C	6-Lip RH Cavity Scroll (X = 10mm)	20	RH Solid Scroll 59935S
	59937C	6-Lip RH Cavity Scroll (X = 6mm)	20	RH Solid Scroll 59937S
	64709	4-Lip RH Cavity Scroll (X = 10mm)	20	
	70008	4-Lip RH Cavity Scroll (X = 6mm)	20	
17				
18				
19				
20	59136A/1800	Scroll Shaft	4	
21	59143	Bearing Boss (M10 horizontal bearing)	4	
22	62648A	LH Carrier Plate	3	Prior to 2023 was 62648
23	62649A	RH Carrier Plate	3	Prior to 2023 was 62649
24	59708B	Clod Roller Plate LH	3	Prior to 2023 was 59708
25	59148B	Clod Roller Plate RH	3	Prior to 2023 was 59148
26				
27	64012	Sensor Disc	2	
28	64849	Clamp Plate	8	
29	64860	Sensor Mounting Bolt	1	
30				
31	59153D	Hydraulic Ram	2	
32	59162	Pivot Pin	6	
33	59163	Pivot Flange Bush	6	
34	59164/1800	Clod Roller Scraper	3	
35	59165/1800	Clod Roller Lift Shaft	1	
36	59166	Clod Roller Lift Arm	1	
37	59170	Connecting Link (3 holes)	2	
38	59921	LH Link	1	
39	59922	RH Link	1	
40	59173	Shoulder Bolt (short)	4	
41	59174	Shoulder Bolt (long)	2	
42	59175	Pivot Flange Bush	12	
43	59176	Tapped Boss (long)	2	
44	59177	Tapped Boss (short)	2	
45				

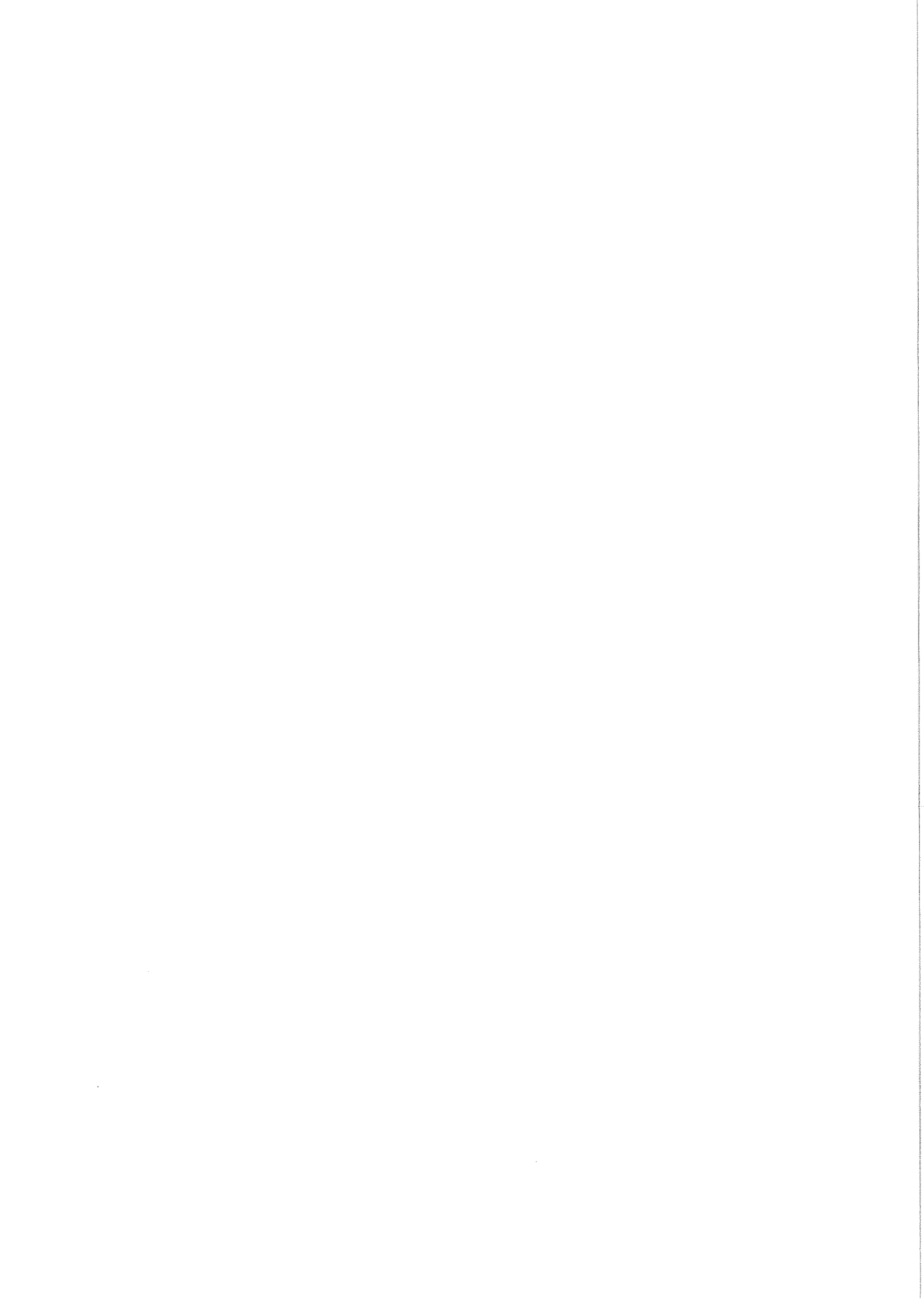
4R OMEGA (237mm centres)

Assy No 70156

Item	Part No.	Description	Qty.	Remarks
46	59709/1800	Ø76 Ebonite Clod Roller	3	Option
	59714/1800	Ø76 Mild Steel Clod Roller	3	Option
	59715/1800	Ø73 Stainless Steel Clod Roller	3	Option
	62863/1800	Ø76 Rubber Clod Roller	3	Option
47	59529	Motor Mount	4	
48	59348	End Cap (Ø45 bore)	4	
48a	59348A	End Cap (Ø50 bore)	4	
49	59533	Motor Boss (M12 horizontal bearing)	4	
50	59352	Carrier Plate Tie	6	
51	70153	4 Roller Omega Frame (Y = 237mm)	1	
52				
53				
54	62652	Deflector Plate LH (short)	3	
55	62653	Deflector Plate RH (short)	3	
56	62912	Sensor Bracket	1	
57	64013	Sensor Bracket	1	
58	59396	Ø42 Exhaust Clamp	1	
59	59397	Ø60 Exhaust Clamp	1	
60	59398	Ø42 Ram Body Bracket	1	
61	59399	Ø42 Ram Piston Bracket	1	
62				
63				
64				
65	60102RS	Bearing	7	
66				
67	22012016/140	M16x140 Bolt	6	
68	DW25131	Compression Spring	6	
69				
70	LFTC35A	Bearing	4	
71				
72				
73	RPC648.061001	Grease Nipple 45°	6	
74				
75	22012012/090	M12x90 Bolt	2	
76	22052012	M12 Spring Washer	2	
77				
78				
79				
80				
81				
82	60062RS	Bearing	6	
83	W0111	Ø55 Internal Circlip	3	
84	W0117	Ø45 External Circlip	4	
85	W0161	Ø80 Internal Circlip	7	
86				
87				
88				
89				
90	SS038025/032	Steel Spacer	3	
91	SS040011/003	Steel Spacer	4	
92	SS045013/006	Steel Spacer	2	
93				
94	70090	Pivot Boss (with removal thread)	2	
95	70114A	Ram Mounting Bracket	2	

T2 SPARE PARTS**6.5d****4R OMEGA (237mm centres)****Assy No 70156**

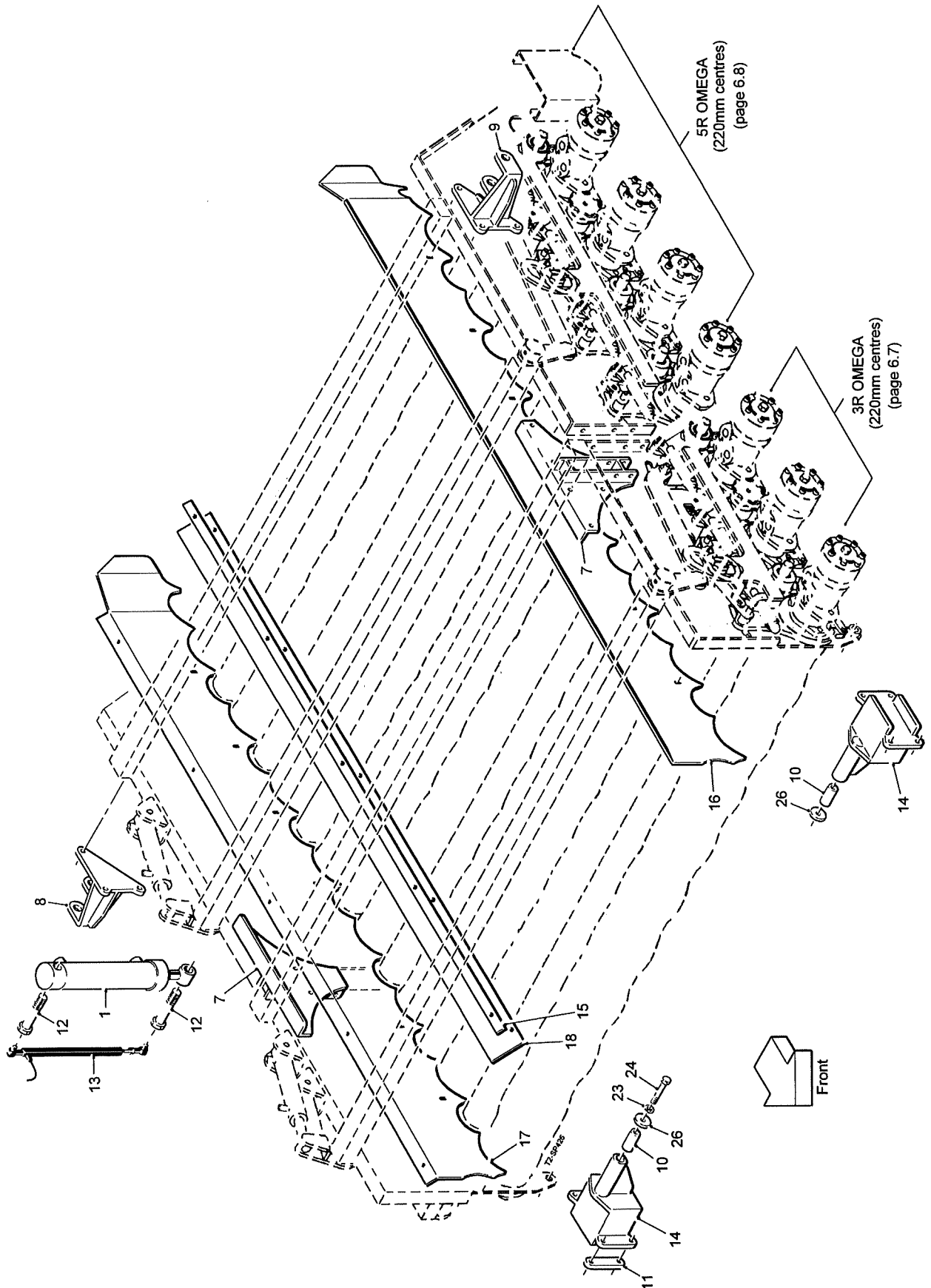
Item	Part No.	Description	Qty.	Remarks
96				
97	70158	Stainless Panel LH	1	
98	70159	Stainless Panel RH	1	
99	70121A	Clamp Strip	2	
100	70122A	Rubber Deflector	2	
101	70116	Omega Pivot Bracket	1	
102	70117	Omega Pivot Bracket	1	
103	70172	Sensor Bracket	1	
104	70173	Sensor Cover	1	
105	70174	Top Hat Spacer	1	
106				
107				
108				
109				
110				
111				
		Hydraulic Components Consist Of:		
112	11124	1/2"BSP Dowty Seal	12	
113				
114	11295	1/2"BSPx3/4"BSP M M Adaptor	4	
115	60978	3/4"Hose Assembly (1850mm)	1	
116				
117	12315	1/2"BSP M M Adaptor	8	
118				
119				
120	41115	3/4"BSP M F Compact 90°Adaptor	1	
121				
122	60994	1/4"Hose Assembly (1950mm)	2	
123	60977	3/4"Hose Assembly (4350mm)	1	
124	60976	3/4"Hose Assembly (4350mm)	1	
125	60431	1/2"Hose Assembly (450mm)	1	
126	60490	1/2"Hose Assembly (500mm)	1	
127	60566	1/2"Hose Assembly (500mm)	3	
128	41273	3/4"Hose Assembly (2800mm)	1	
129				
130				
131	62966	Hose Clamp	3	
132				
133	44207	M14x1/4"BSP M M Adaptor	2	
134	44208	M14 Dowty Seal	2	



Machines from Serial No T2-288

8R OMEGA (220mm centres)

Assy No 64472A



6.6a**T2 SPARE PARTS**

Machines from Serial No T2-288

8R OMEGA (220mm entres)**Assy No 64472A**

Item	Part No.	Description	Qty.	Remarks
1	56518	Hydraulic Ram	2	
2				
3				
4				
5				
6				
7	64245	Joining Bracket	2	
8	64249	Ram Bracket	1	
9	64250	Ram Bracket	1	
10	70090	Pivot Boss (with removal thread)	2	
11	64849	Clamp Plate	4	
12	64860	Sensor Mounting Bolt	2	
13	64872	Linear Sensor	1	
14	64875A	Omega Mounting Bracket	2	
15	64276B	Clamp Strip	2	
16	64467A	Stainless Panel LH	1	
17	64468A	Stainless Panel RH	1	
18	64275B	Rubber Deflector	2	
19				
20				
21				
22				
23	22052012	M12 Spring Washer	2	
24	22012012/090	M12x90 Bolt	2	
25				
26	SS045013/006	Steel Spacer	2	

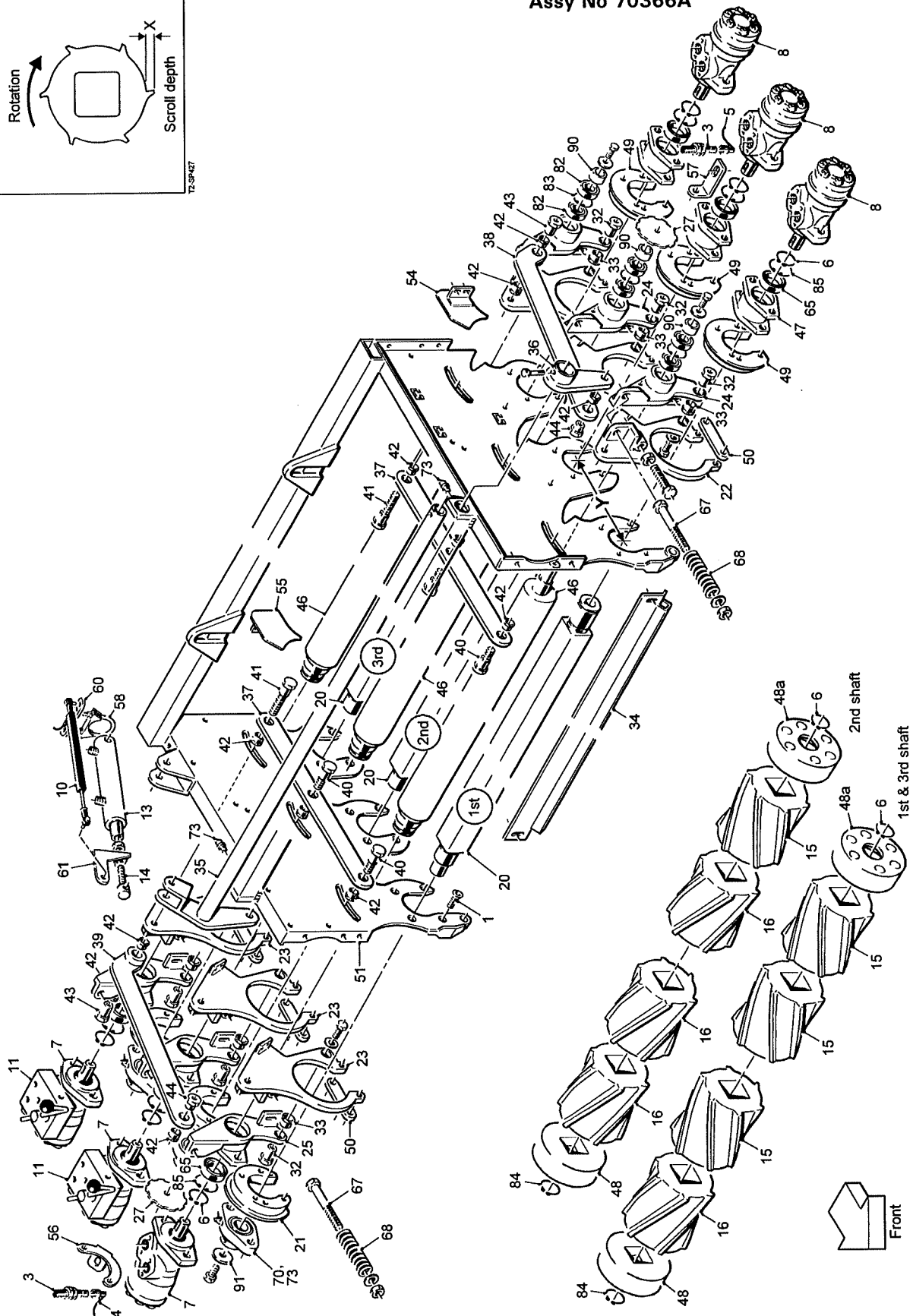
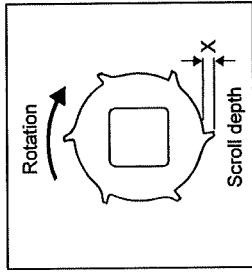
T2 SPARE PARTS

6.7

Machines from Serial No T2-288

3R OMEGA (220mm centres)

Assy No 70366A



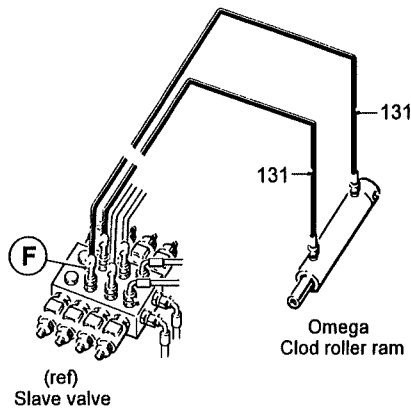
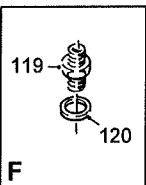
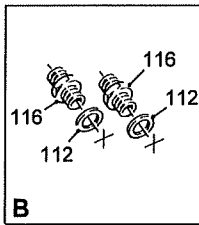
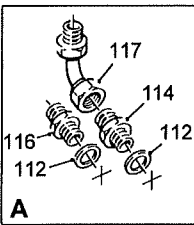
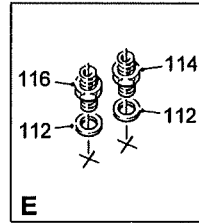
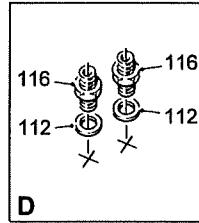
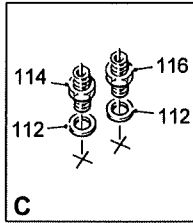
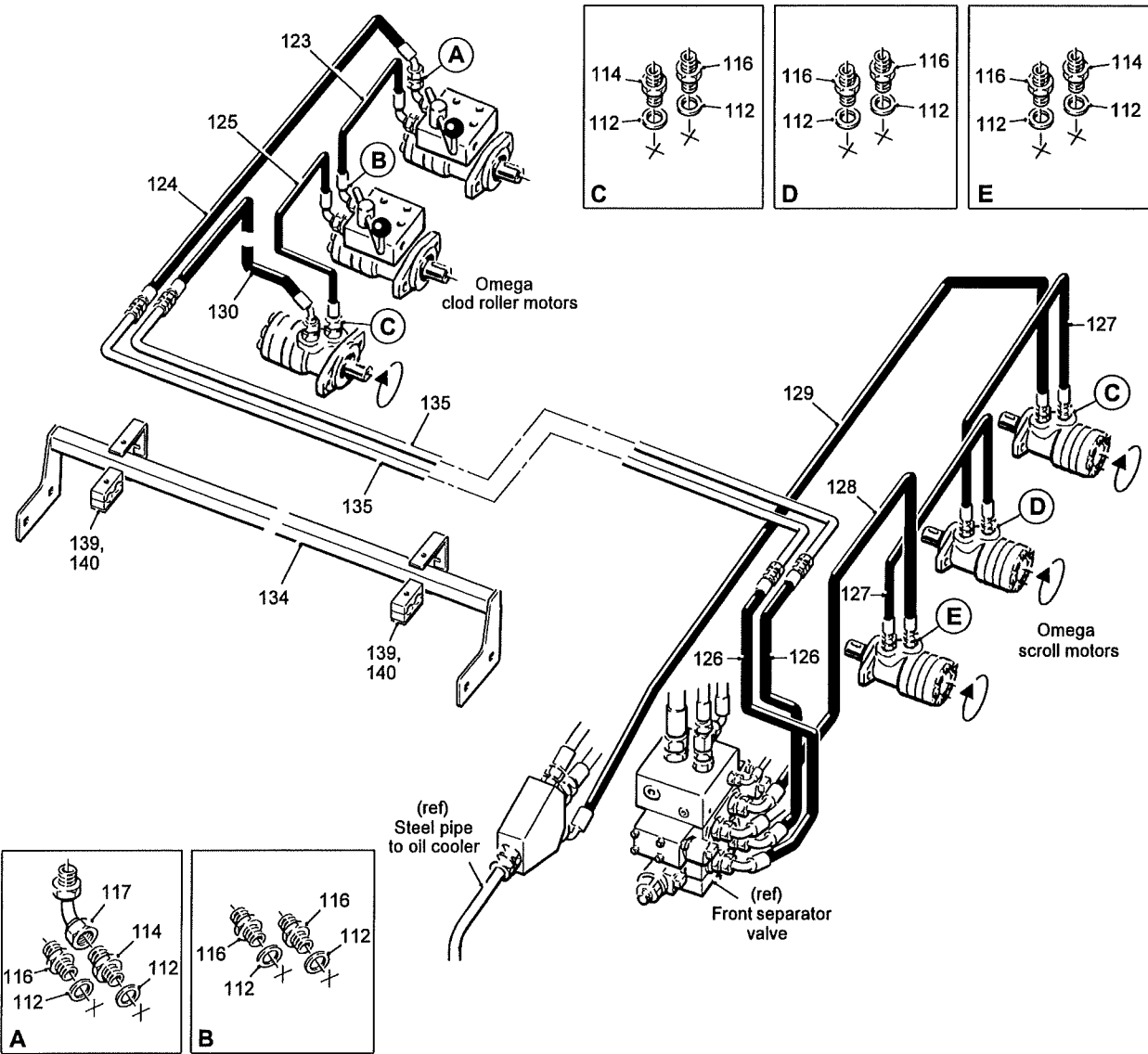
6.7a

T2 SPARE PARTS

Machines from Serial No T2-288

3R OMEGA (220mm centres)

Assy No 70366A



T2-5P435

T2 SPARE PARTS**6.7b**

Machines from Serial No T2-288

3R OMEGA (220mm centres)**Assy No 70366A**

Item	Part No.	Description	Qty.	Remarks
1	22016010/020	M10x20 CSK Socket Head Screw	24	
2				
3	32037/1	Proximity Sensor	2	
4	32037/2	Sensor Cable (5m)	1	
5	32037/4	Sensor Cable (10m)	1	
6	33130/16	Ø50 External Circlip	9	
7	44563	Hydraulic Motor	3	
8	RPH850.306210	Hydraulic Motor	3	
9				
10	55122	Linear Sensor	1	
11	56112	Diverter Valve	2	
12				
13	56679A	Hydraulic Ram (60mm stroke)	1	
14	56690	Ram Eye	1	
15	59934C	6-Lip LH Cavity Scroll (X = 10mm)	19	LH Solid Scroll 59934S
	59936C	6-Lip LH Cavity Scroll (X = 6mm)	19	LH Solid Scroll 59936S
	64708	4-Lip LH Cavity Scroll (X = 10mm)	19	
	70007	4-Lip LH Cavity Scroll (X = 6mm)	19	
16	59935C	6-Lip RH Cavity Scroll (X = 10mm)	11	RH Solid Scroll 59935S
	59937C	6-Lip RH Cavity Scroll (X = 6mm)	11	RH Solid Scroll 59937S
	64709	4-Lip RH Cavity Scroll (X = 10mm)	11	
	70008	4-Lip RH Cavity Scroll (X = 6mm)	11	
17				
18				
19				
20	59136A/1800	Scroll Shaft	3	
21	59692	Bearing Boss (M10 angled bearing)	3	
22	62648A	LH Carrier Plate	3	
23	62649A	RH Carrier Plate	3	
24	62280	Clod Roller Plate LH	3	
25	59685	Clod Roller Plate RH	3	
26				
27	64012	Sensor Disc	2	
28				
29				
30				
31				
32	59162	Pivot Pin	6	
33	59163	Pivot Flange Bush	6	
34	59164/1800	Clod Roller Scraper	3	
35	59165/1800	Clod Roller Lift Shaft	1	
36	59166	Clod Roller Lift Arm	1	
37	59693	Connecting Link (3 holes)	2	
38	59171A	LH Link	1	
39	59172A	RH Link	1	
40	59173	Shoulder Bolt (short)	4	
41	59174	Shoulder Bolt (long)	2	
42	59175	Pivot Flange Bush	12	
43	59176	Tapped Boss (long)	2	
44	59177	Tapped Boss (short)	2	
45				

6.7c

T2 SPARE PARTS

Machines from Serial No T2-288

3R OMEGA (220mm centres)

Assy No 70366A

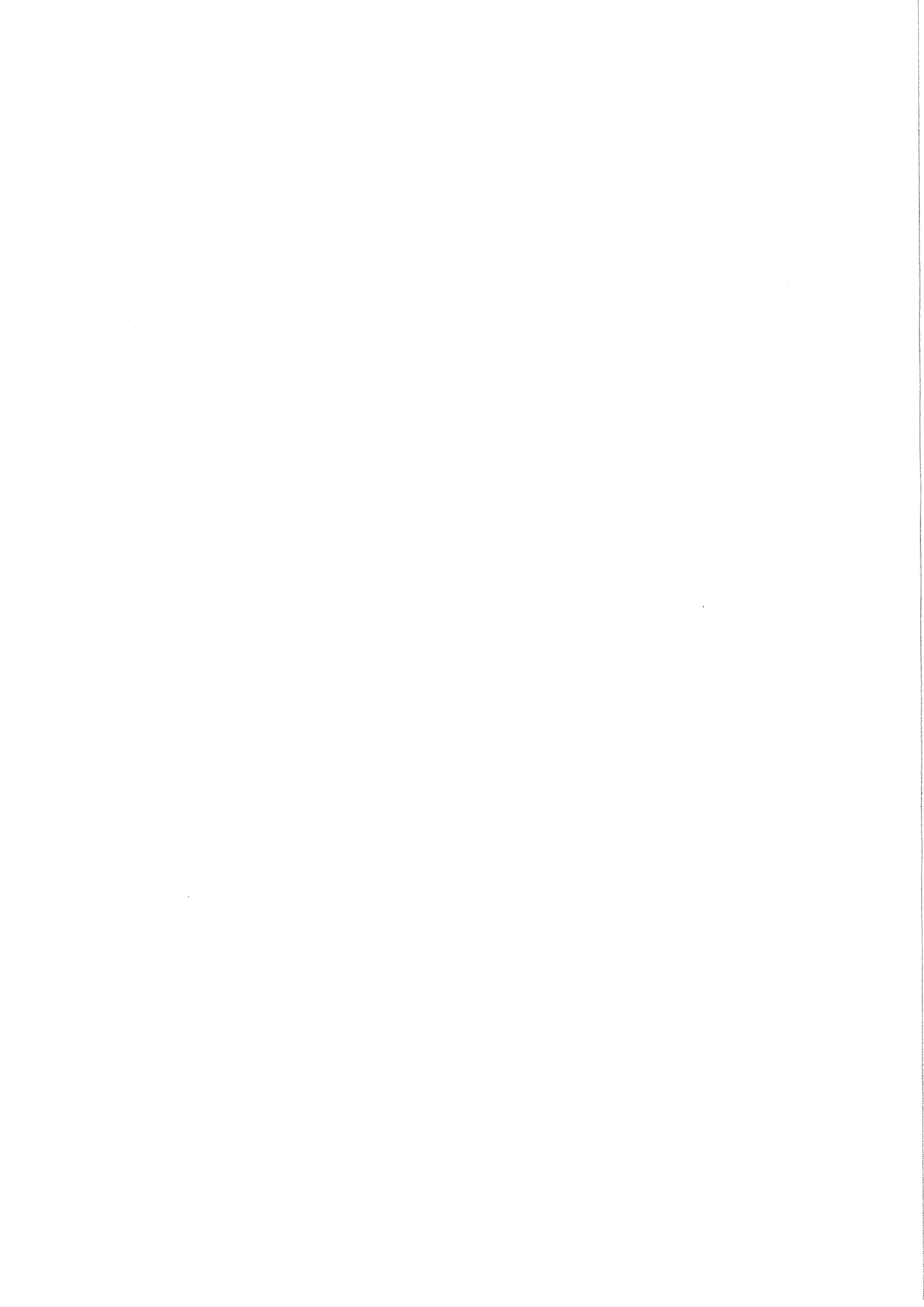
Item	Part No.	Description	Qty.	Remarks
46	59709/1800	Ø76 Ebonite Clod Roller	3	Option
	59714/1800	Ø76 Mild Steel Clod Roller	3	Option
	59715/1800	Ø73 Stainless Steel Clod Roller	3	Option
	62863/1800	Ø76 Rubber Clod Roller	3	Option
47	59529	Motor Mount	3	
48	59348	End Cap (Ø45 bore)	3	
48a	59348A	End Cap (Ø50 bore)	3	
49	59928	Motor Boss	3	
50	59352	Carrier Plate Tie	6	
51	59696D	3 Roller Omega Frame (Y = 220mm)	1	
52				
53				
54	62652	Deflector Plate LH	3	
55	62653	Deflector Plate RH	3	
56	62912	Sensor Bracket	1	
57	64013	Sensor Bracket	1	
58	59396	Ø42 Exhaust Clamp	1	
59				
60	59398	Ø42 Ram Body Bracket	1	
61	59399	Ø42 Ram Piston Bracket	1	
62				
63				
64				
65	60102RS	Bearing	6	
66				
67	22012016/140	M16x140 Bolt	6	
68	DW25131	Compression Spring	6	
69				
70	LFTC35A	Bearing	3	
71				
72				
73	RPC648.061001	Grease Nipple 45°	5	
74				
75				
76				
77				
78				
79				
80				
81				
82	60062RS	Bearing	6	
83	W0111	Ø55 Internal Circlip	3	
84	W0117	Ø45 External Circlip	3	
85	W0161	Ø80 Internal Circlip	6	
86				
87				
88				
89				
90	SS038025/032	Steel Spacer	3	
91	SS040011/003	Steel Spacer	3	
92				
93				
94				
95				

T2 SPARE PARTS**6.7d**

Machines from Serial No T2-288

3R OMEGA (220mm centres)**Assy No 70366A**

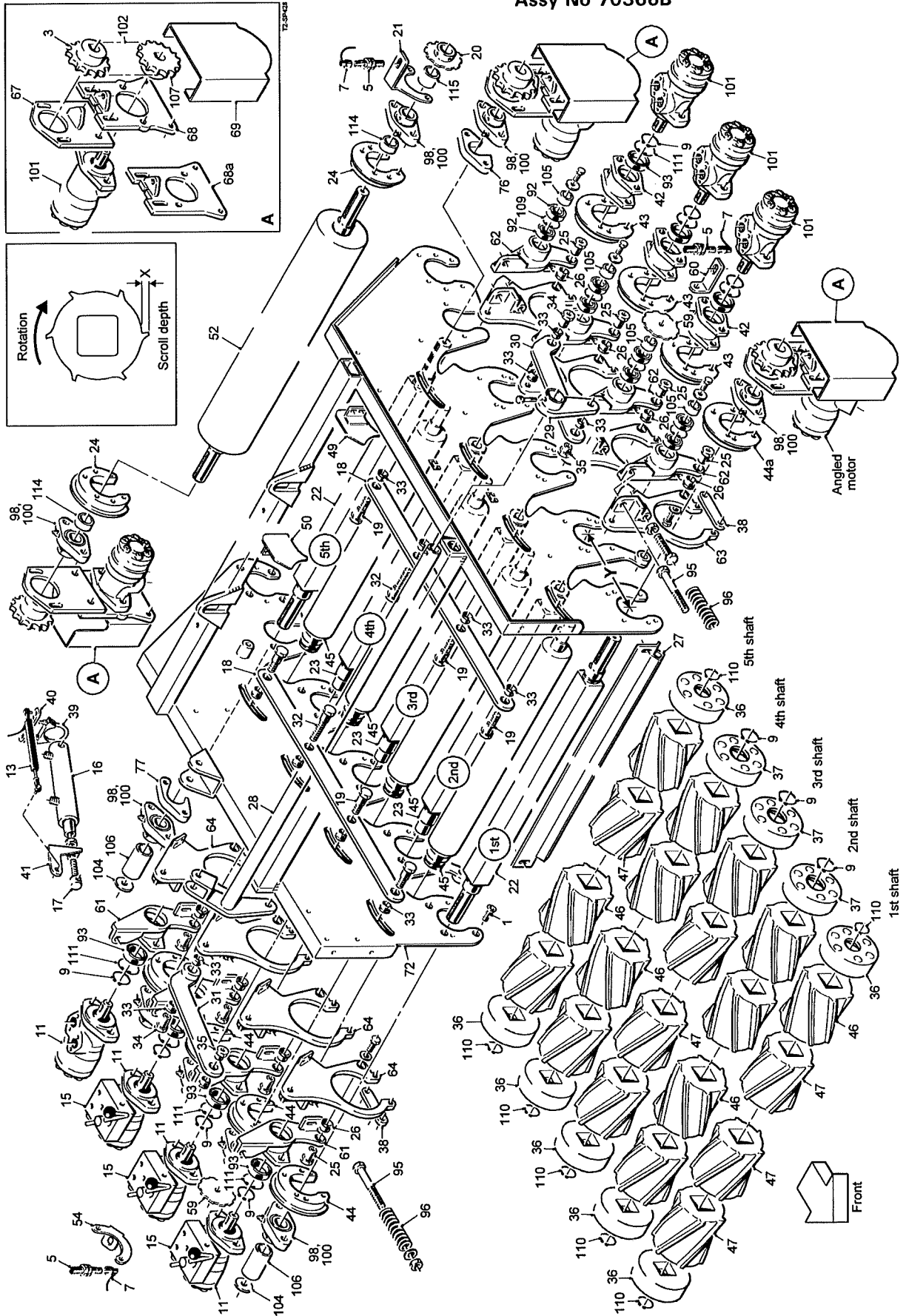
Item	Part No.	Description	Qty.	Remarks
96				
97				
98				
99				
100				
		Hydraulic Components Consist Of:		
112	11124	1/2"BSP Dowty Seal	8	
113				
114	11295	1/2"BSPx3/4"BSP M M Adaptor	4	
115				
116	12315	1/2"BSP M M Adaptor	8	
117	12350	3/4"BSP M F Swept 90° Adaptor	1	
118				
119	44207	M14x1/4"BSP M M Adaptor	2	
120	44208	M14 Dowty Seal	2	
121				
122				
123	60431	1/2"Hose Assembly (450mm)	1	
124	60487	3/4"Hose Assembly (1150mm)	1	
125	60490	1/2"Hose Assembly (500mm)	1	
126	60516	3/4"Hose Assembly (1600mm)	2	
127	60566	1/2"Hose Assembly (500mm)	2	
128	60660	3/4"Hose Assembly (2200mm)	1	
129	60778	3/4"Hose Assembly (2650mm)	1	
130	60981	3/4"Hose Assembly (1050mm)	1	
131	60994	1/4"Hose Assembly (1950mm)	2	
132				
133				
134	70249	Pipe Bracket	1	
135	70250	Ø25 Steel Pipe Assembly	2	
136				
137				
138				
139	RPC654.300948/2	Pipe Clamp (25-25)	2 pair	
140	RPC654.300948/3	Clamp Plate	2	



Machines from Serial No T2-288

5R OMEGA (220mm centres)

Assy No 70366B



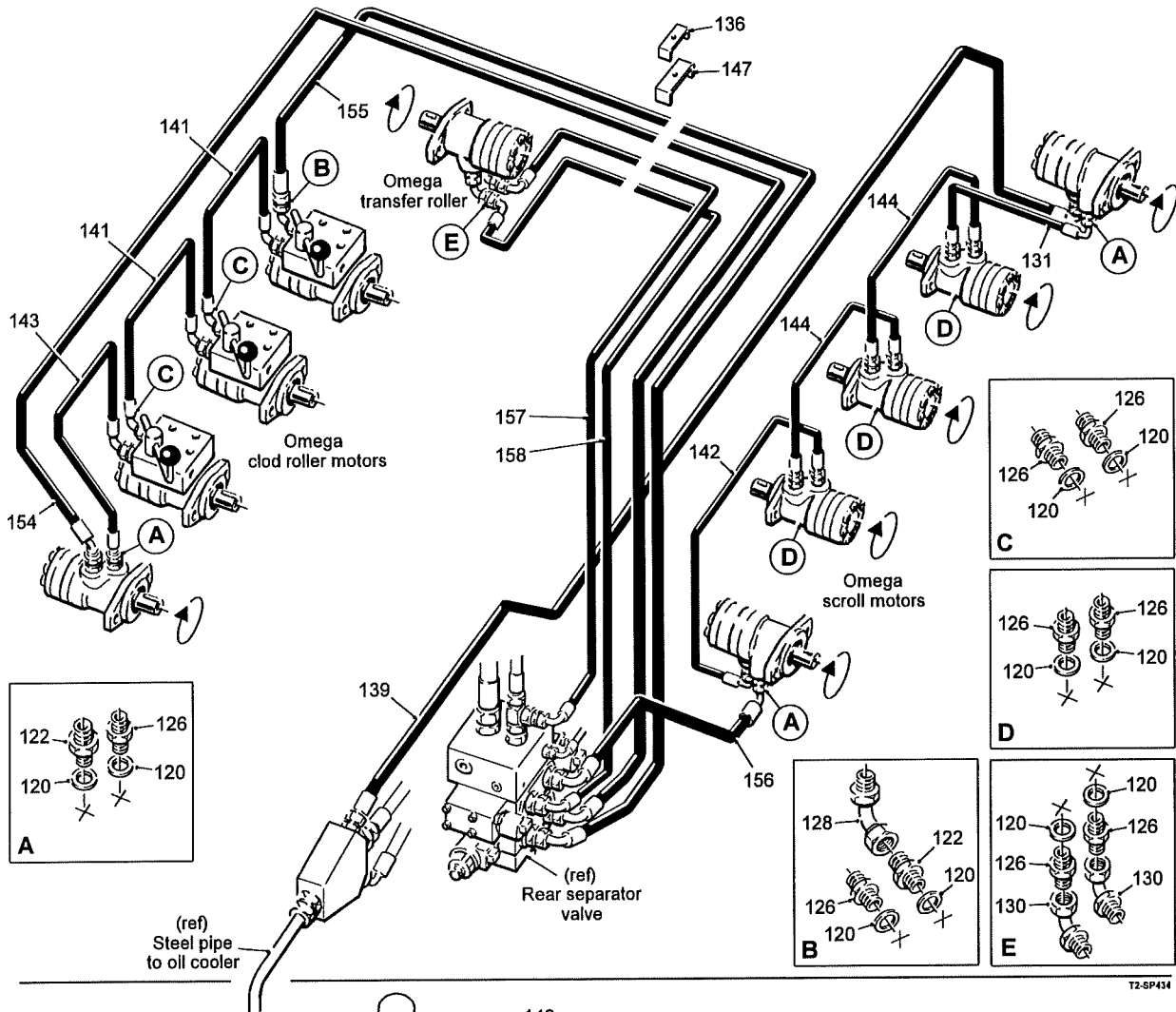
6.8a

T2 SPARE PARTS

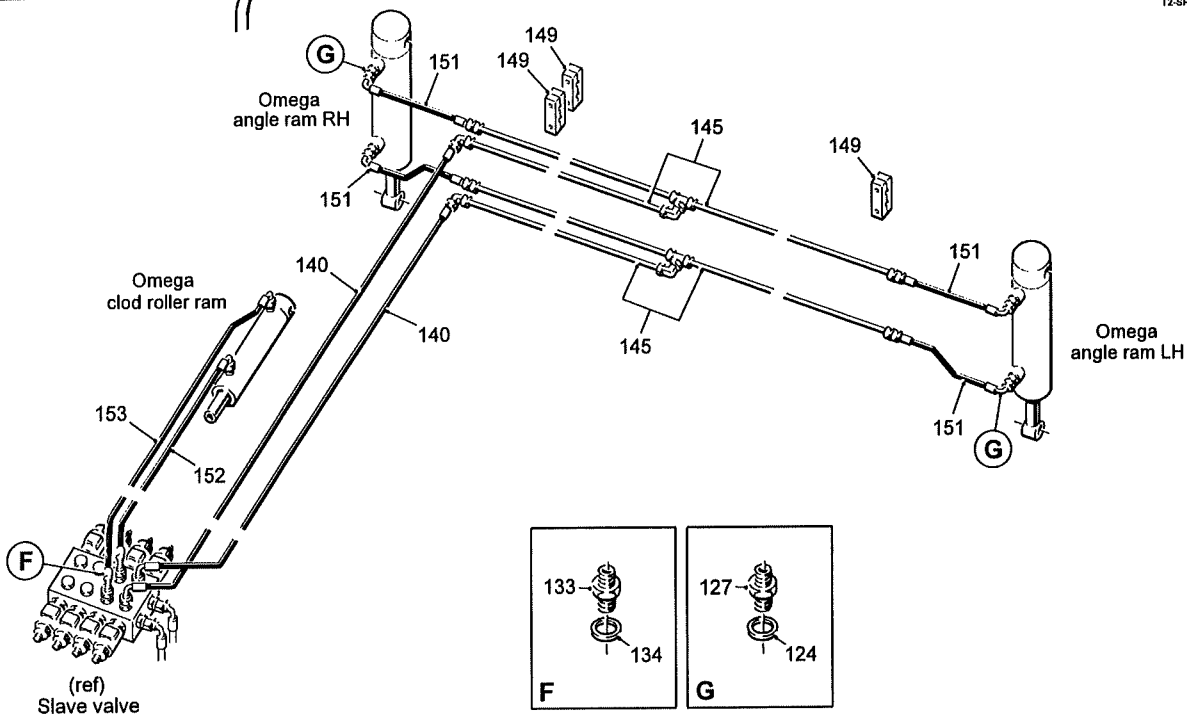
Machines from Serial No T2-288

5R OMEGA (220mm centres)

Assy No 70366B



T2-SP434



T2 SPARE PARTS**6.8b**

Machines from Serial No T2-288

5R OMEGA (220mm centres)**Assy No 70366B**

Item	Part No.	Description	Qty.	Remarks
1	22016010/020	M10x20 CSK Socket Head Screw	40	
2				
3	11833	21T 3/4"Pitch Sprocket (Ø35 bore)	3	
4				
5	32037/1	Proximity Sensor	3	
6				
7	32037/4	Sensor Cable (10m)	3	
8				
9	33130/16	Ø50 External Circlip	10	
10				
11	44563	Hydraulic Motor	4	
12				
13	55122	Linear Sensor	1	
14				
15	56112	Diverter Valve	3	
16	56679A	Hydraulic Ram	1	
17	56690	Ram Eye	1	
18	59694	Connecting Link (220mm centres)	2	
19	59173	Shoulder Bolt (short)	6	
20	59277	Sensor Disc	1	
21	59479B	Sensor Bracket	1	
22	59136/1800	Scroll Shaft (1st & 5th)	2	
23	59136A/1800	Scroll Shaft (2nd, 3rd & 4th)	3	
24	59143	Bearing Boss (M10 horizontal bearing)	2	
25	59162	Pivot Pin	8	
26	59163	Pivot Flange Bush	8	
27	59164/1800	Clod Roller Scraper	4	
28	59165/1800	Clod Roller Lift Shaft	1	
29	59166	Clod Roller Lift Arm	1	
30	59921	Link LH	1	
31	59922	Link RH	1	
32	59174	Shoulder Bolt (long)	2	
33	59175	Pivot Flange Bush	14	
34	59176	Tapped Boss (long)	2	
35	59177	Tapped Boss (short)	2	
36	59348	End Cap (Ø45 bore)	7	
37	59348A	End Cap (Ø50 bore)	3	
38	59352	Carrier Plate Tie	8	
39	59396	Ø42 Exhaust Clamp	1	
40	59398	Ø42 Ram Body Bracket	1	
41	59399	Ø42 Ram Piston Bracket	1	
42	59529	Motor Mount	3	
43	59928	Bearing Boss (M12 horizontal bearing)	3	
44	59692	Bearing Boss (M10 angled bearing)	4	
44a	59692A	Bearing Boss (M10 angled bearing)	1	
45	59709/1800	Ø76 Ebonite Clod Roller	4	Option
	59714/1800	Ø76 Mild Steel Clod Roller	4	Option
	59715/1800	Ø73 Stainless Steel Clod Roller	4	Option
	62863/1800	Ø76 Rubber Clod Roller	4	Option
46	59934C	6-Lip LH Cavity Scroll (X = 10mm)	25	LH Solid Scroll 59934S
	59936C	6-Lip LH Cavity Scroll (X = 6mm)	25	LH Solid Scroll 59936S
	64708	4-Lip LH Cavity Scroll (X = 10mm)	25	
	70007	4-Lip LH Cavity Scroll (X = 6mm)	25	

6.8c

T2 SPARE PARTS

Machines from Serial No T2-288

5R OMEGA (220mm centres)

Assy No 70366B

Item	Part No.	Description	Qty.	Remarks
47	59935C	6-Lip RH Cavity Scroll (X = 10mm)	25	RH Solid Scroll 59935S
	59937C	6-Lip RH Cavity Scroll (X = 6mm)	25	RH Solid Scroll 59937S
	64709	4-Lip RH Cavity Scroll (X = 10mm)	25	
	70008	4-Lip RH Cavity Scroll (X = 6mm)	25	
48				
49	62652	Deflector Plate LH (short)	4	
50	62653	Deflector Plate RH (short)	4	
51				
52	59848C	Transfer Roller	1	
53				
54	62912	Sensor Bracket	1	
55				
56				
57				
58				
59	64012	Sensor Disc	2	
60	64013	Sensor Bracket	1	
61	59685	Clod Roller Plate RH	4	
62	62280	Clod Roller Plate LH	4	
63	62648A	Carrier Plate LH	4	
64	62649A	Carrier Plate RH	4	
65				
66				
67	64420	Drop-down Plate	3	
68	64458	Motor Plate (horizontal motor)	2	
68a	64458B	Motor Plate (angled motor)	1	
69	64459	Drive Guard	3	
70				
71				
72	64470A	5 Roller Omega Frame (Y = 220mm)	1	
73				
74				
75				
76	70349	Bearing Spacer LH	1	
77	70350	Bearing Spacer RH	1	
78				
79				
80				
81				
82				
83				
84				
85				
86				
87				
88				
89				
90				
91				
92	60062RS	Bearing	8	
93	60102RS	Bearing	8	
94				

T2 SPARE PARTS**6.8d**

Machines from Serial No T2-288

5R OMEGA (220mm centres)**Assy No 70366B**

Item	Part No.	Description	Qty.	Remarks
95	22012016/140	M16x140 Bolt	8	
96	DW25131	Compression Spring	8	
97				
98	LFTC35A	Bearing	9	
99				
100	RPC648.061001	M6 Grease Nipple 45°	8	
101	RPH850.306210	Hydraulic Motor	6	
102	RPT732.620050	3/4"Pitch Drive Chain	3	
103				
104	SS040011/003	Steel Spacer	4	
105	SS038025/032	Steel Spacer	8	
106	SS0042036/082	Steel Spacer	2	
107	TBMW107	21T 3/4"Pitch Sprocket (Ø25 bore)	3	
108				
109	W0111	Ø55 Internal Circlip	4	
110	W0117	Ø45 External Circlip	7	
111	W0161	Ø80 Internal Circlip	7	
112				
113				
114	SS042036/018	Steel Spacer	2	
115	SS042036/040	Steel Spacer	1	
		Hydraulic Components Consist Of:		
120	11124	1/2"BSP Dowty Seal	16	
121				
122	11295	1/2"BSPx3/4"BSP M M Adaptor	4	
123				
124	11337	1/4"BSP Dowty Seal	4	
125				
126	12315	1/2"BSP M M Adaptor	16	
127	12316	1/4"BSP M M Adaptor	4	
128	12350	3/4"BSP M F Swept 90° Adaptor	1	
129				
130	26086	1/2"BSP M F Swept 90° Adaptor	2	
131	27442	1/2"Hose Assembly (900mm)	1	
132				
133	44207	M14x1/4"BSP M M Adaptor	4	
134	44208	M14 Dowty Seal	4	
135				
136	59295	Pipe Clamp (1/2"-1/2")	3	
137				
138				
139	60034	3/4"Hose Assembly (4200mm)	1	
140	60231	1/4"Hose Assembly (3700mm)	2	
141	60431	1/2"Hose Assembly (450mm)	2	
142	60485	1/2"Hose Assembly (1400mm)	1	
143	60490	1/2"Hose Assembly (500mm)	1	
144	60566	1/2"Hose Assembly (500mm)	2	
145	60959	Ø10 Steel Pipe Assembly	2	
146				
147	62966	Pipe Clamp (3/4"-3/4")	3	

6.8e**T2 SPARE PARTS**

Machines from Serial No T2-288

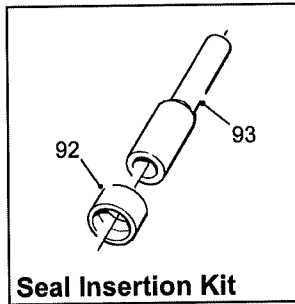
5R OMEGA (220mm centres)**Assy No 70366B**

Item	Part No.	Description	Qty.	Remarks
148				
149	64996	Pipe Clamp (10-10)	3	
150				
151	71099	1/4"Hose Assembly (365mm)	4	
152	71100	1/4"Hose Assembly (2800mm)	1	
153	71101	1/4"Hose Assembly (2900mm)	1	
154	71109	3/4"Hose Assembly (5800mm)	1	
155	71110	3/4"Hose Assembly (5550mm)	1	
156	71111	3/4"Hose Assembly (2500mm)	1	
157	71112	1/2"Hose Assembly (6000mm)	1	
158	71113	1/2"Hose Assembly (6150mm)	1	

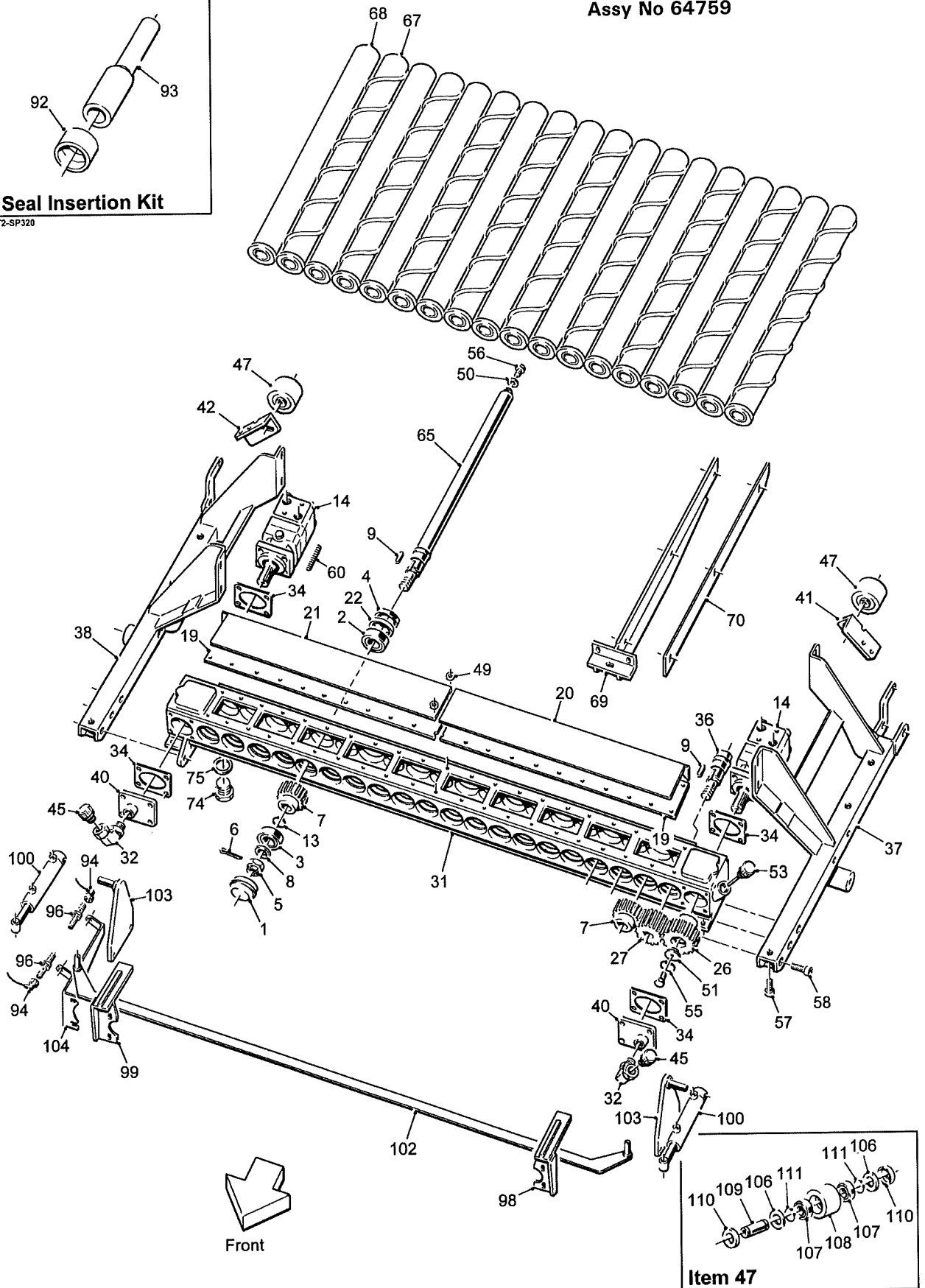
Machines from 2021

Roller Table Separator

Assy No 64759



T2-SP320



8.1a**T2 SPARE PARTS**

Machines from 2021

Roller Table Separator

Assy No 64759

Item	Part No.	Description	Qty.	Remarks
1	27841	End Cap	20	
2	27843	Bearing Cup & Cone	20	
3	27844	Bearing Cup & Cone	20	
4	27895A	Oil Seal	20	
5	27917	Slotted Nut	20	
6	27918	Split Pin	22	
7	27937	35T Gear	18	
8	27942	Flat Washer	20	
9	27948	RBE Key	20	
10				
11				
12				
13	37086	1 1/2" External Circlip	20	
14	37754	Hydraulic Motor	2	
15				
16				
17				
18				
19	46333-20	Gearbox Cover Plate	2	
20	46334A-20LH	LH Stainless Steel Panel	1	
21	46334A-20RH	RH Stainless Steel Panel	1	
22	46406	Steel Spacer	20	
23				
24				
25				
26	51651	45T Motor Gear	2	
27	51652	35T Idler Gear	2	
28				
29				
30				
31	64964	Gearcase	1	
32	60705	3/4" BSP M F 90° Elbow	2	
33				
34	62465	Gasket	4	
35				
36	64163	Idler Shaft	2	
37	64841	LH Mounting	1	
38	64842	RH Mounting	1	
39				
40	64120	Filler/Breather Mounting	2	
41	64921	Roller Bracket LH	1	
42	64922	Roller Bracket RH	1	
43				
44				
45	DWS538	Filler/Breather Cap	2	
46				
47	KA16023	Roller Assembly	2	(see list at end)
48				
49	SS020007/001	Steel Spacer	2	
50	SS030011/005	Steel Spacer	18	
51	64970	Top Hat Spacer	2	Part was SS050011/005
52				
53	70011	3/4" BSP Dipstick	1	
54				
55	TH00932252	Ø50 Internal Circlip	2	

T2 SPARE PARTS**8.1b**

Machines from 2021

Roller Table Separator**Assy No 64759**

Item	Part No.	Description	Qty.	Remarks
56	22011010/025	M10x25 Setscrew	18	
57	22015010/030	M10x30 Cap Head Screw	2	
58	22015012/030	M12x30 Cap Head Screw	6	
59				
60	22106010/055	M10x55 Motor Stud	8	
61				
62				
63				
64				
65	59622	Roller Shaft (800mm)	18	
66				
67	59623RGSR	800mm Ø75/Ø95 RH Spiral Roller	9	
	59623RSG	800mm Ø80/Ø95 RH Spiral Roller	9	
	64158SRH	800mm Steel RH Spiral Roller	9	
68	59624B	800mm Ø82 Plain Roller	9	
	59624C	800mm Ø74 Plain Roller	9	
	64158A	800mm Ø2.75" Steel Plain Roller	9	
	64158B	800mm Ø3" Steel Plain Roller	9	
	64158C	800mm Ø3.25" Steel Plain Roller	9	
69	59735	Scraper Mounting (800mm)	9	
70	59736	Scraper Blade (800mm)	9	
71				
72				
73				
74	11116	1"BSP Blanking Plug	1	
75	11122	1"BSP Dowty Seal	1	
76				
77				
78	55122	Linear Sensor	1	
79				
80				
81				
82				
92	37145	Seal Insertion Kit Consists Of:		
	37146	Seal Compression Ring	1	
93	37147	Slide Hammer	1	
94	64127	Scraper Bar Assembly Consists Of:		
	32037/2	Sensor Cable (5m)	2	
95				
96	41504	Sensor	2	
97				
98	64962L	Scraper Retainer LH	1	Part was 63110L
99	64962R	Scraper Retainer RH	1	Part was 63110R
100	63113	Hydraulic Ram	2	
101				

8.1c**T2 SPARE PARTS**

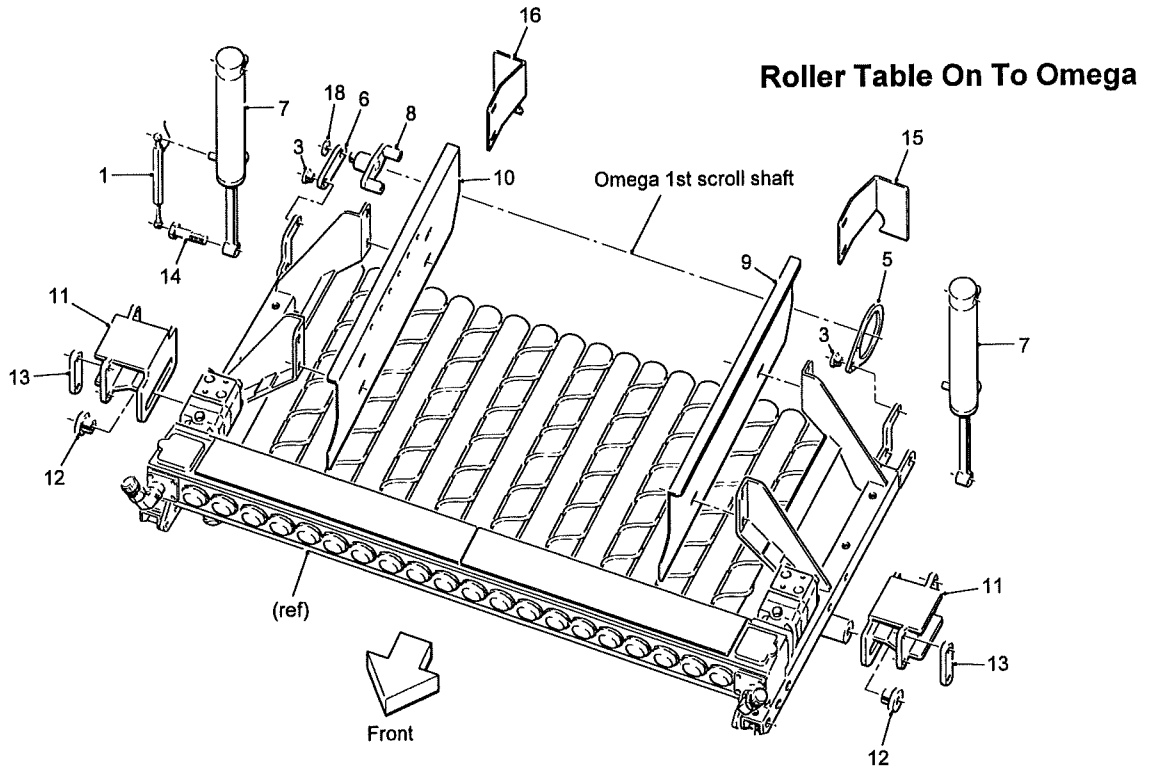
Machines from 2021

Roller Table Separator

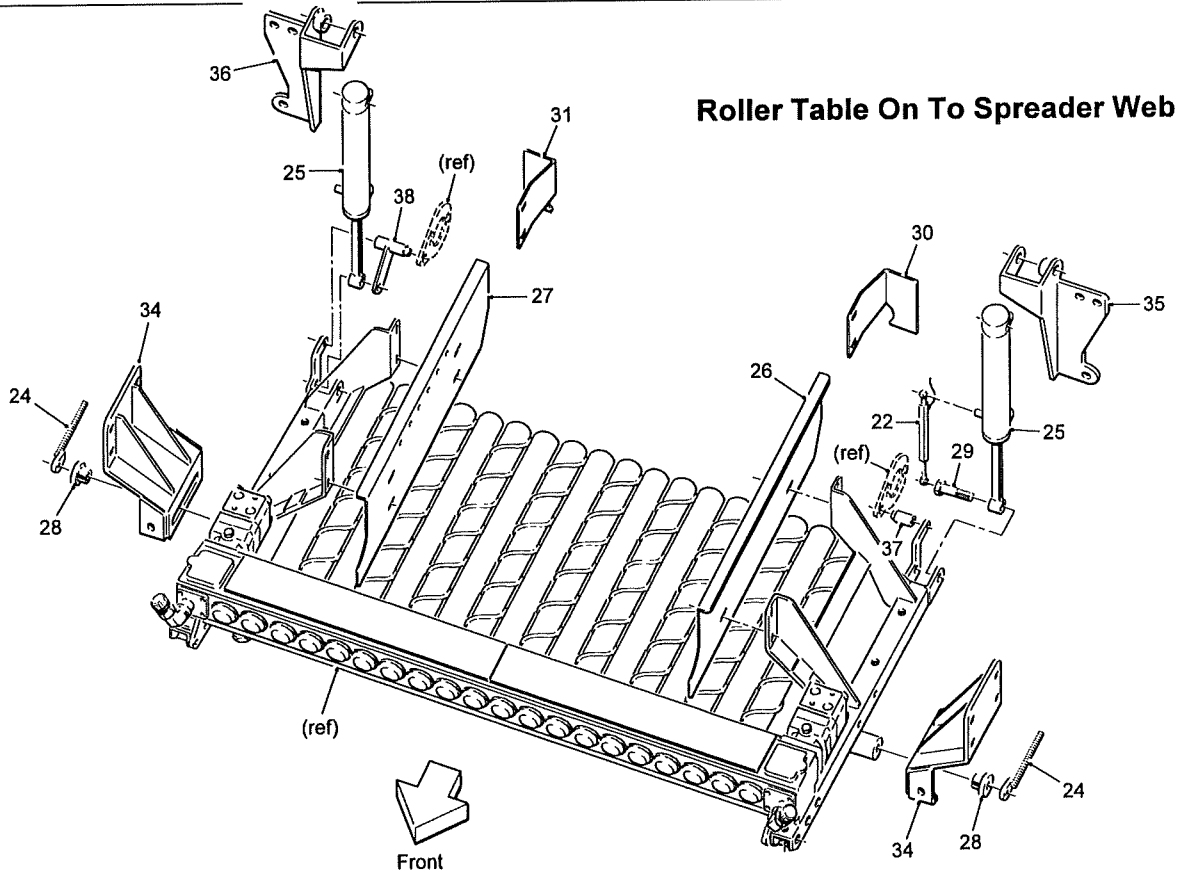
Assy No 64759

Item	Part No.	Description	Qty.	Remarks
102	64125	Scraper Bar	1	
103	64126	Ram Bracket	2	
104	64142	Sensor Mounting	1	
105				
	KA16023	Roller Assembly Consists Of:		
106	0000300504	Felt Seal	2	
107	6005RS	Bearing	2	
108	KA16023/1	Ø80 Plain Steel Roller	1	
109	KA16021/4	Open Bore Spindle	1	
110	PH408	Seal	2	
111	PS843	Ø25 External Circlip	2	

Machines from 2021
Additional Components for Roller Tables



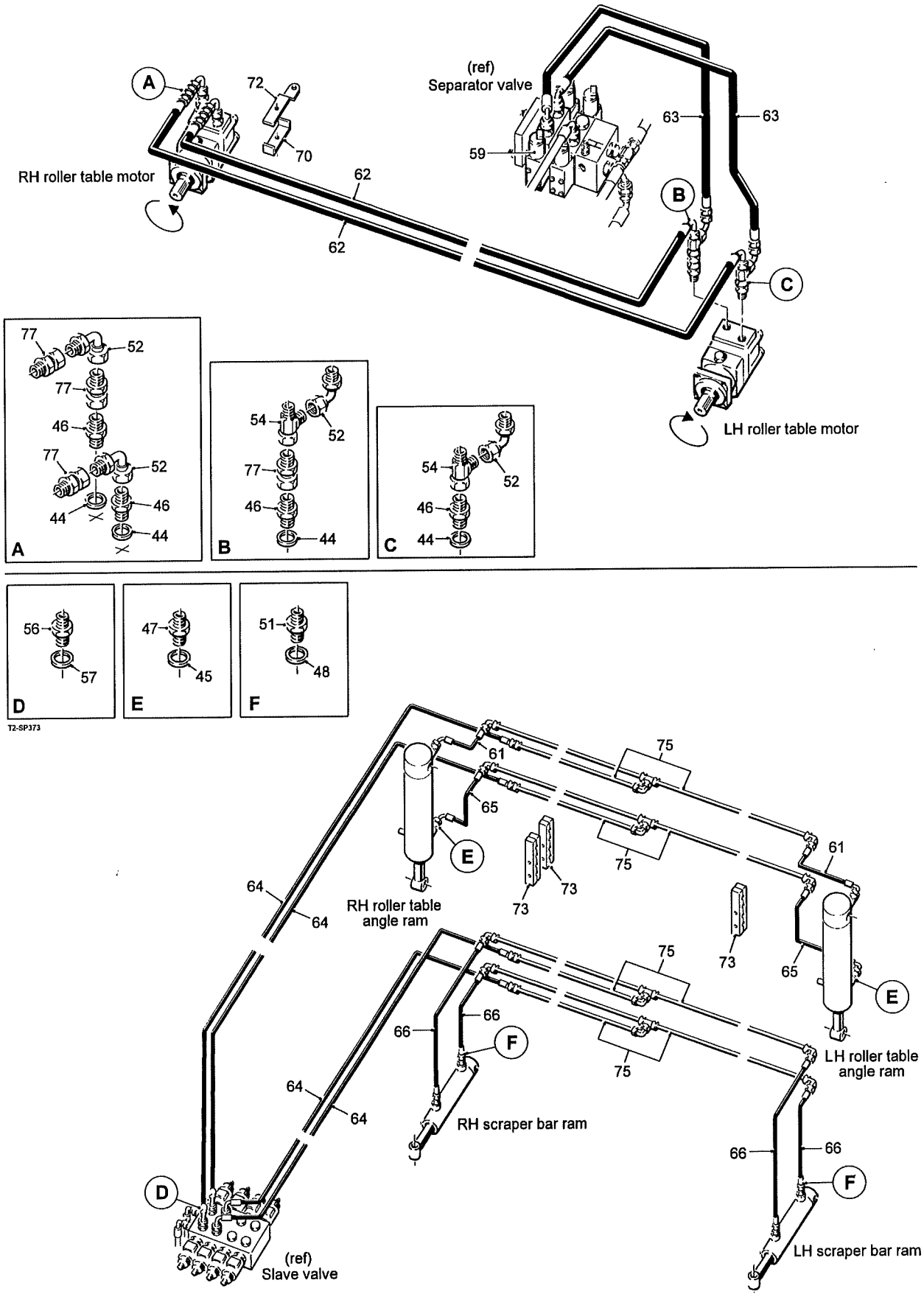
T2-SP321



8.2a

T2 SPARE PARTS

Machines from 2021
Additional Components for Roller Tables



T2-SP373

Machines from 2021

Additional Components for Roller Tables

Item	Part No.	Description	Qty.	Remarks
		Roller Table On To Omega		
		Consists Of:		
1	55122	Linear Sensor	1	
2				
3	70072	Top Hat Washer	2	Supersedes 59754
4				
5	64969	Roller Table to Omega Link LH	1	Part was 64821 x2
6	64822	Roller Table to Omega Link RH	1	
7	64823	Hydraulic Ram (70mm stroke)	2	
8	64824A	Link Mounting	1	Supersedes 64824 & 70073
9	64843	Stainless Panel LH	1	
10	64844	Stainless Panel RH	1	
11	64847	Roller Table Mounting	2	
12	64848	Pivot Boss	2	
13	64849	Clamp Plate	4	
14	64859	Sensor Mounting Bolt	1	
15	64935	Infill Panel LH	1	
16	64936	Infill Panel LH	1	
17				
18	SS030011/005	Steel Spacer	1	
		<hr/>		
		Roller Table On To Spreader Web		
		Consists Of:		
22	55122	Linear Sensor	1	
23				
24	64407	Adjuster	2	
25	64823	Hydraulic Ram (70mm stroke)	2	
26	64843	Stainless Panel LH	1	
27	64844	Stainless Panel RH	1	
28	64848	Pivot Boss	2	
29	64859	Sensor Mounting Bolt	1	
30	64935	Infill Panel LH	1	
31	64936	Infill Panel RH	1	
32				
33				
34	70162	Roller Table Mounting	2	
35	70163	Ram Bracket LH	1	
36	70164	Ram Bracket RH	1	
37	70166	Pivot Bar	1	
38	70167	Pivot Bracket	1	
		<hr/>		
		Hydraulic Components Consist Of:		
44	11124	1/2"BSP Dowty Seal	4	
45	11125	3/8"BSP Dowty Seal	4	
46	11295	1/2"BSPx3/4"BSP M M Adaptor	4	
47	11336	1/4"BSPx3/8"BSP M M Adaptor	4	

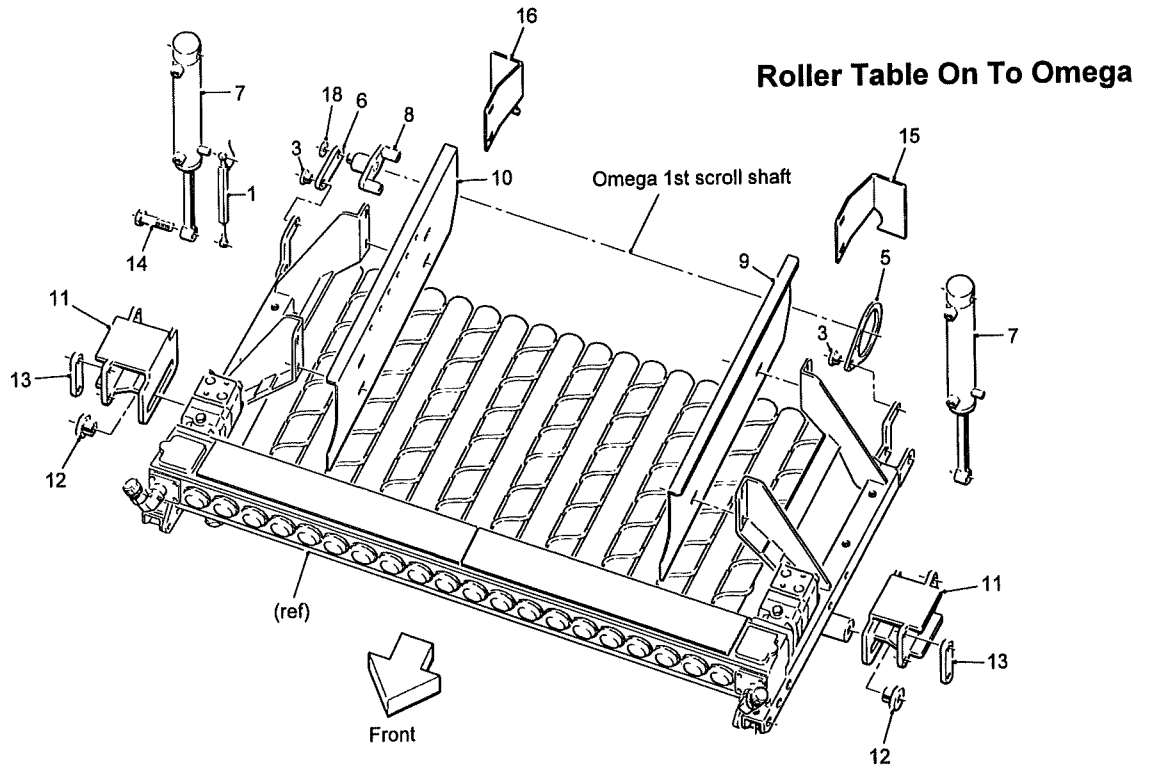
Machines from 2021

Additional Components for Roller Tables

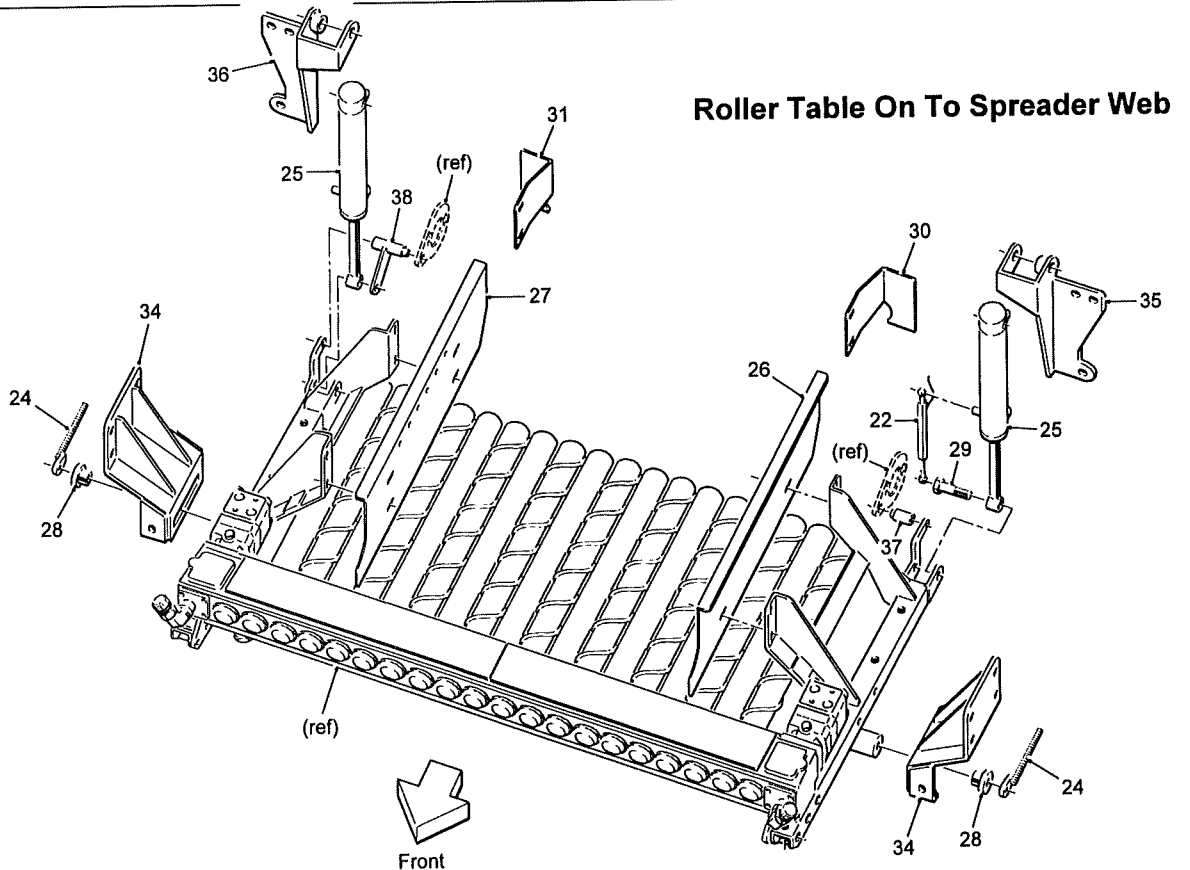
Item	Part No.	Description	Qty.	Remarks
48	11337	1/4"BSP Dowty Seal	4	
49				
50				
51	12316	1/4"BSP M M Adaptor	4	
52	12350	3/4"BSP M F Swept 90° Adaptor	4	
53				
54	32512	3/4"BSP F M M Tee	2	
55				
56	44207	M14x1/4"BSP M M Adaptor	4	
57	44208	M14 Dowty Seal	4	
58				
59	59107/1	Valve Section (80 Ltr/min)	1	
60				
61	42334	1/4"Hose Assembly (700mm)	2	Was 60201
62	60750	3/4"Hose Assembly (3100mm)	2	
63	60907	3/4"Hose Assembly (1800mm)	2	
64	60198	1/4"Hose Assembly (2100mm)	4	Was 60914
65	42334	1/4"Hose Assembly (700mm)	2	Was 60915
66	60188	1/4"Hose Assembly (1000mm)	4	Was 60916
67				
68				
69				
70	62966	Pipe Clamp	4	
71				
72	64041	Pipe Clamp Mount	4	
73	64995	Pipe Clamp (10-10-10-10)	3 pair	
74				
75	60959	Ø10 Steel Pipe Assembly	4	Was block DW801992
76				
77	TBMW338	3/4"BSP M F Swivel Adaptor	4	

Machines from Serial No T2-288

Additional Components for Roller Tables



T2-SP444

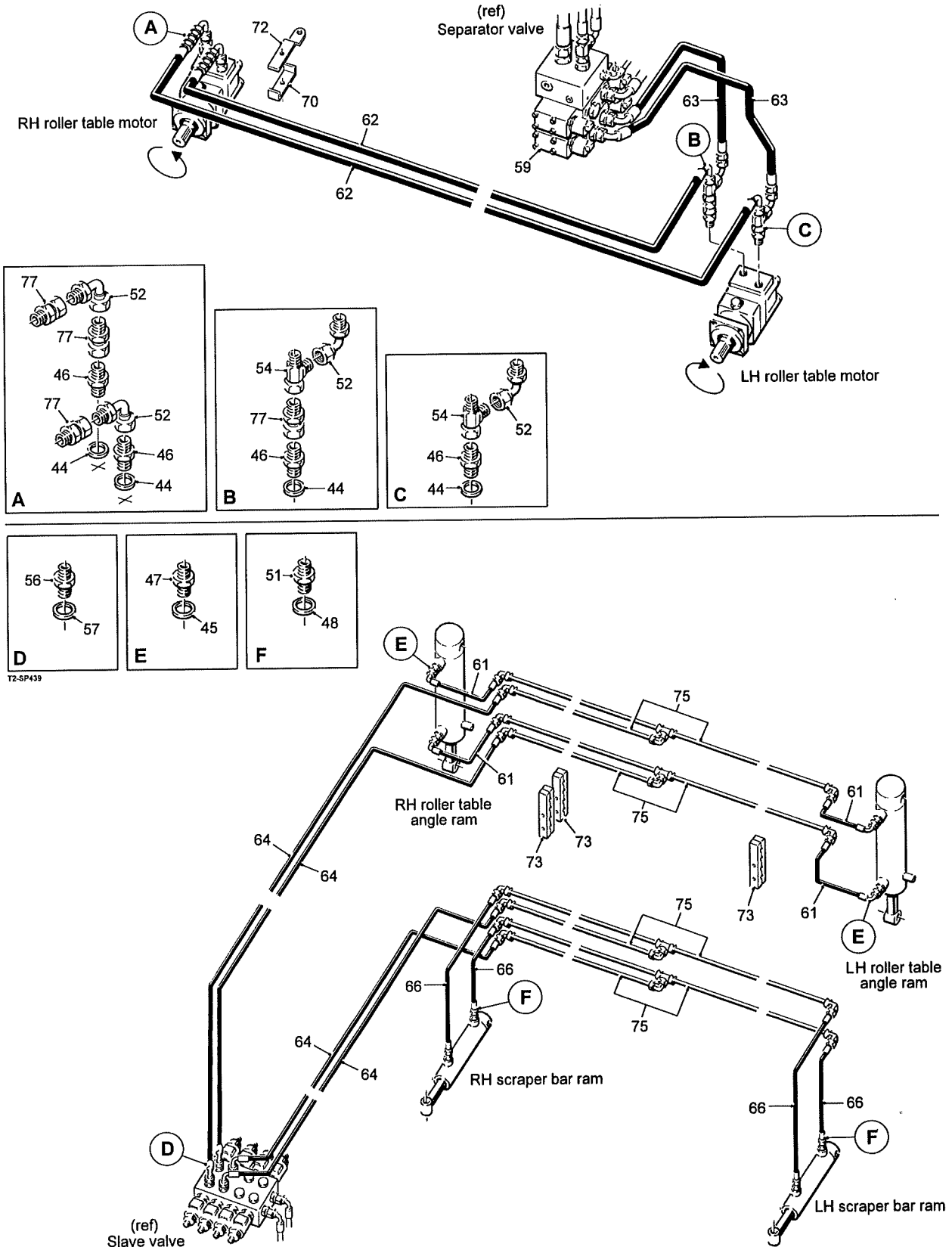


8.2a

T2 SPARE PARTS

Machines from Serial No T2-288

Additional Components for Roller Tables



T2-SP439

T2 SPARE PARTS**8.2b**

Machines from Serial No T2-288

Additional Components for Roller Tables

Item	Part No.	Description	Qty.	Remarks
		Roller Table On To Omega		
		Consists Of:		
1	55122	Linear Sensor	1	
2				
3	70072	Top Hat Washer	2	
4				
5	64969	Roller Table to Omega Link LH	1	
6	64822	Roller Table to Omega Link RH	1	
7	64823	Hydraulic Ram (70mm stroke)	2	
8	64824A	Link Mounting	1	
9	64843	Stainless Panel LH	1	
10	64844	Stainless Panel RH	1	
11	64847	Roller Table Mounting	2	
12	64848	Pivot Boss	2	
13	64849	Clamp Plate	4	
14	64859	Sensor Mounting Bolt	1	
15	64935	Infill Panel LH	1	
16	64936	Infill Panel LH	1	
17				
18	SS030011/005	Steel Spacer	1	
		<hr/>		
		Roller Table On To Spreader Web		
		Consists Of:		
22	55122	Linear Sensor	1	
23				
24	64407	Adjuster	2	
25	64823	Hydraulic Ram (70mm stroke)	2	
26	64843	Stainless Panel LH	1	
27	64844	Stainless Panel RH	1	
28	64848	Pivot Boss	2	
29	64859	Sensor Mounting Bolt	1	
30	64935	Infill Panel LH	1	
31	64936	Infill Panel RH	1	
32				
33				
34	70162	Roller Table Mounting	2	
35	70163	Ram Bracket LH	1	
36	70164	Ram Bracket RH	1	
37	70166	Pivot Bar	1	
38	70167	Pivot Bracket	1	
		<hr/>		
		Hydraulic Components Consist Of:		
44	11124	1/2"BSP Dowty Seal	4	
45	11125	3/8"BSP Dowty Seal	4	
46	11295	1/2"BSPx3/4"BSP M M Adaptor	4	
47	11336	1/4"BSPx3/8"BSP M M Adaptor	4	

8.2c**T2 SPARE PARTS**

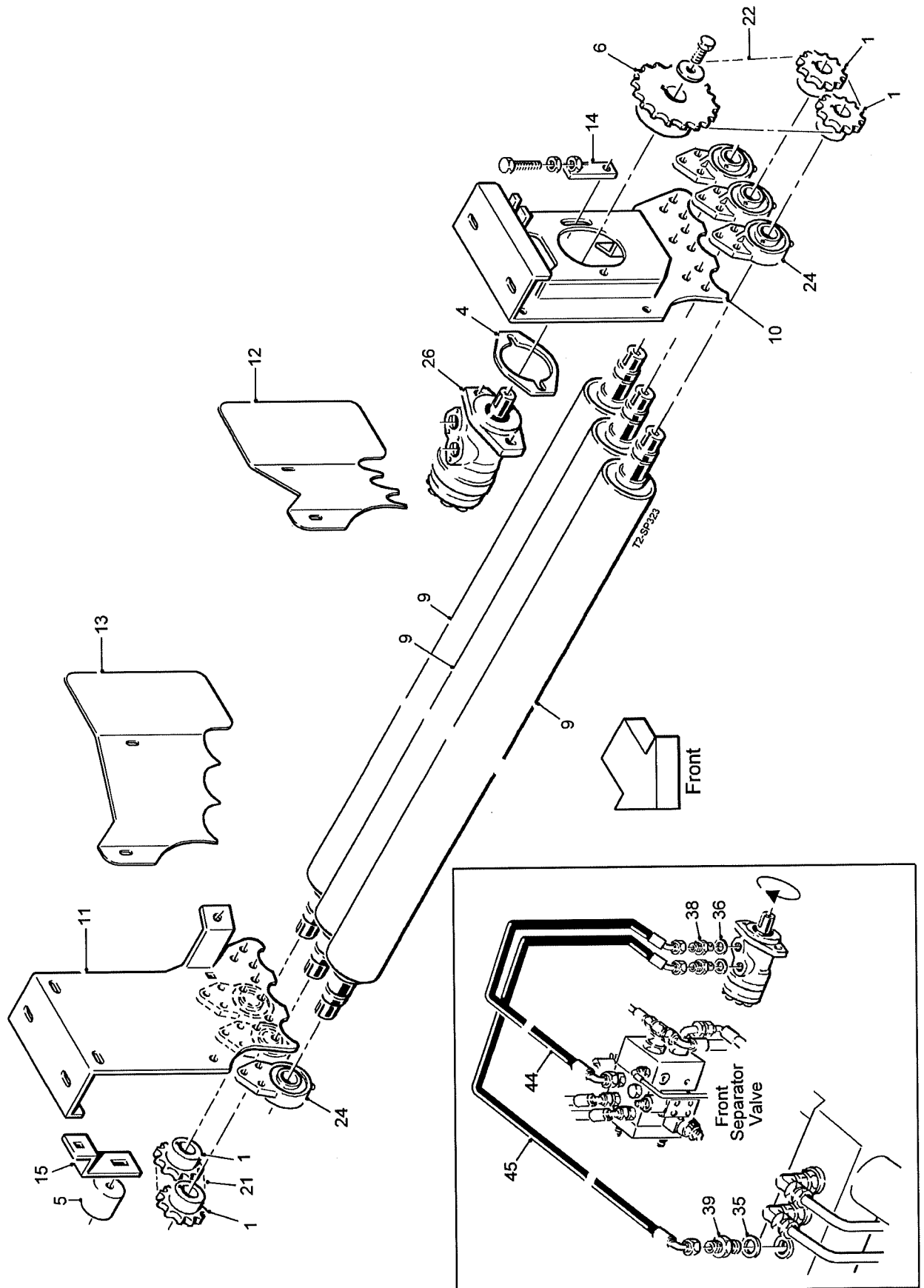
Machines from Serial No T2-288

Additional Components for Roller Tables

Item	Part No.	Description	Qty.	Remarks
48	11337	1/4"BSP Dowty Seal	4	
49				
50				
51	12316	1/4"BSP M M Adaptor	4	
52	12350	3/4"BSP M F Swept 90°Adaptor	4	
53				
54	32512	3/4"BSP F M M Tee	2	
55				
56	44207	M14x1/4"BSP M M Adaptor	4	
57	44208	M14 Dowty Seal	4	
58				
59	59107/1	Valve Section (80 Ltr/min)	1	
60				
61	42334	1/4"Hose Assembly (700mm)	4	
62	60750	3/4"Hose Assembly (3100mm)	2	
63	43208	3/4"Hose Assembly (2500mm)	2	
64	60506	1/4"Hose Assembly (1900mm)	4	
65				
66	60188	1/4"Hose Assembly (1000mm)	4	
67				
68				
69				
70	62966	Pipe Clamp	4	
71				
72	64041	Pipe Clamp Mount	4	
73	64995	Pipe Clamp (10-10-10-10)	3 pair	
74				
75	60959	Ø10 Steel Pipe Assembly	4	
76				
77	TBMW338	3/4"BSP M F Swivel Adaptor	4	

Machines from 2021

Triple Transfer Roller Unit
Assy No 64829



9.1a

T2 SPARE PARTS

Machines from 2021

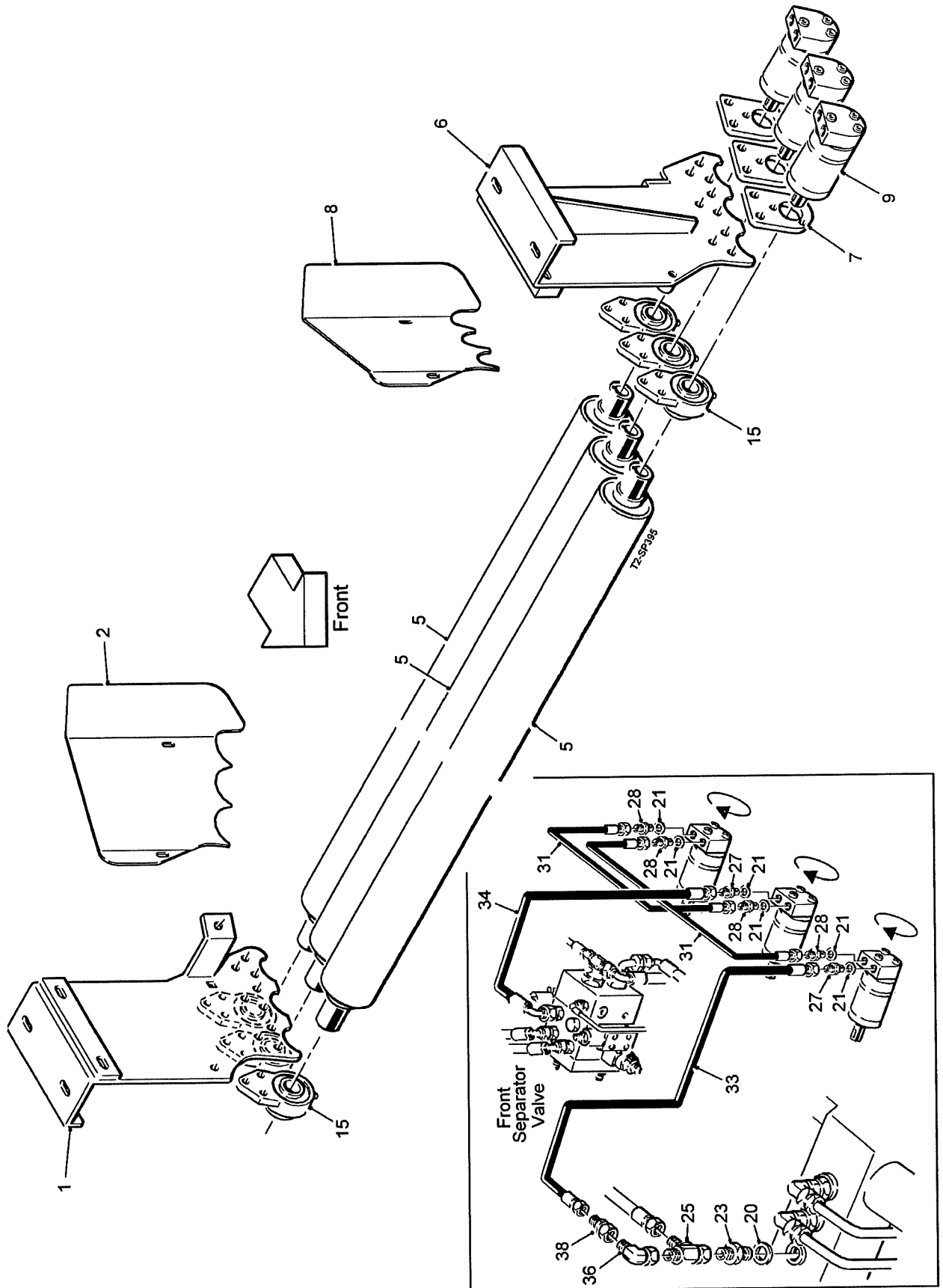
Triple Transfer Roller Unit

Assy No 64829

Item	Part No.	Description	Qty.	Remarks
1	44610	13T 5/8"Pitch Sprocket	4	
2				
3				
4	62832A	Motor Spacer	1	
5	62844D	Tensioner Roller	1	Part was 62844C
6	62887	26T 5/8"Pitch Sprocket	1	
7				
8				
9	64830	Carrier Roller	3	
10	64831	Roller Mounting LH	1	
11	64832	Roller Mounting RH	1	
12	64839	Stainless Steel Panel LH	1	
13	64840	Stainless Steel Panel RH	1	
14	63033	Adjuster	1	
15	63118	Chain Tensioner Bracket	1	
16				
17				
18				
19				
20				
21	W0644/23	5/8"Pitch Drive Chain	1	
22	W0644/55	5/8"Pitch Drive Chain	1	
23				
24	UCFB206	Bearing	6	
25				
26	44563	Hydraulic Motor	1	
		Hydraulic Components Consist Of:		
35	11122	1"BSP Dowty Seal	1	
36	11124	1/2" BSP Dowty Seal	2	
37				
38	12315	1/2"BSP M M Adaptor	2	
39	12521	1/2"BSP x 1"BSP M M Adaptor	1	
40				
41				
42				
43				
44	60909	1/2"Hose Assembly (2050mm)	1	
45	60910	1/2"Hose Assembly (2650mm)	1	

Machines from Serial No T2-272

Triple Transfer Roller Unit
Assy No 64829A



9.1a**T2 SPARE PARTS**

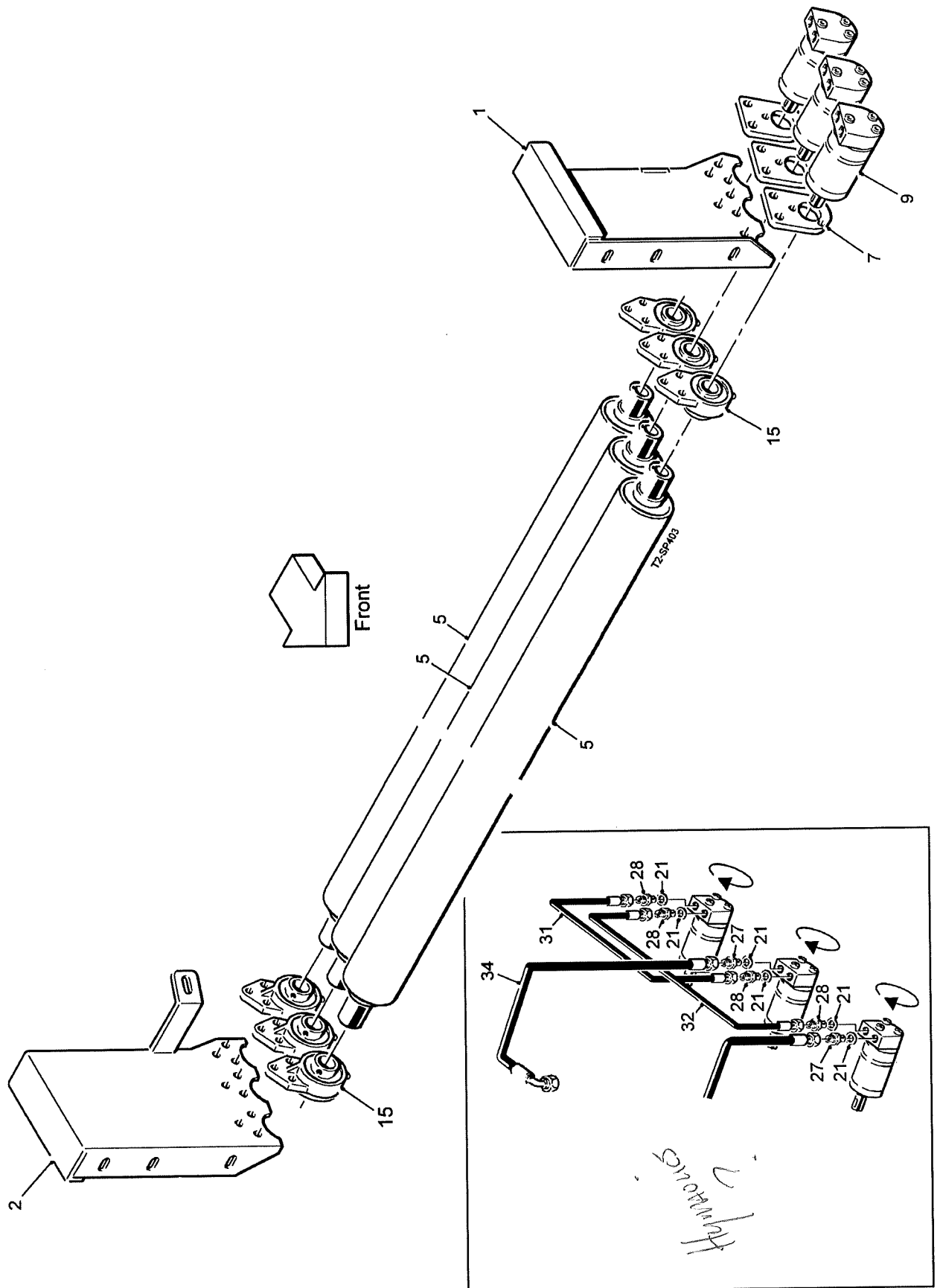
Machines from Serial No T2-272

Triple Transfer Roller Unit

Assy No 64829A

Item	Part No.	Description	Qty.	Remarks
1	64832	Roller Mounting RH	1	
2	64840	Stainless Steel Panel RH	1	
3				
4				
5	70093	Transfer Roller	3	
6	70094	Roller Mounting LH	1	
7	70095	Motor Plate	3	
8	70098	Stainless Steel Panel LH	1	
9	70100	Hydraulic Motor	3	
10				
12				
13				
14				
15	UCFB206	Bearing	6	
16				
		Hydraulic Components Consist Of:		
20	11122	1"BSP Dowty Seal	1	
21	11125	3/8"BSP Dowty Seal	6	
22				
23	12560	3/4"BSP x 1"BSP M M Adaptor	1	
24				
25	32512	3/4"BSP F M M Tee	1	
26				
27	UC25	3/8"BSP x1/2"BSP M M Adaptor	2	
28	UC31A	3/8"BSP M M Adaptor	4	
29				
30				
31	13300	3/8"Hose Assembly (400mm)	2	
32				
33	71036	1/2"Hose Assembly (2600mm)	1	
34	60433	1/2"Hose Assembly (1650mm)	1	
35				
36	41115	3/4"BSP M F Compact 90°Adaptor	1	
37				
38	TBMW659	1/2"BSPM x3/4"BSPF Swivel Adaptor	1	

Triple Transfer Roller Unit
Assy No 70157



9.2a

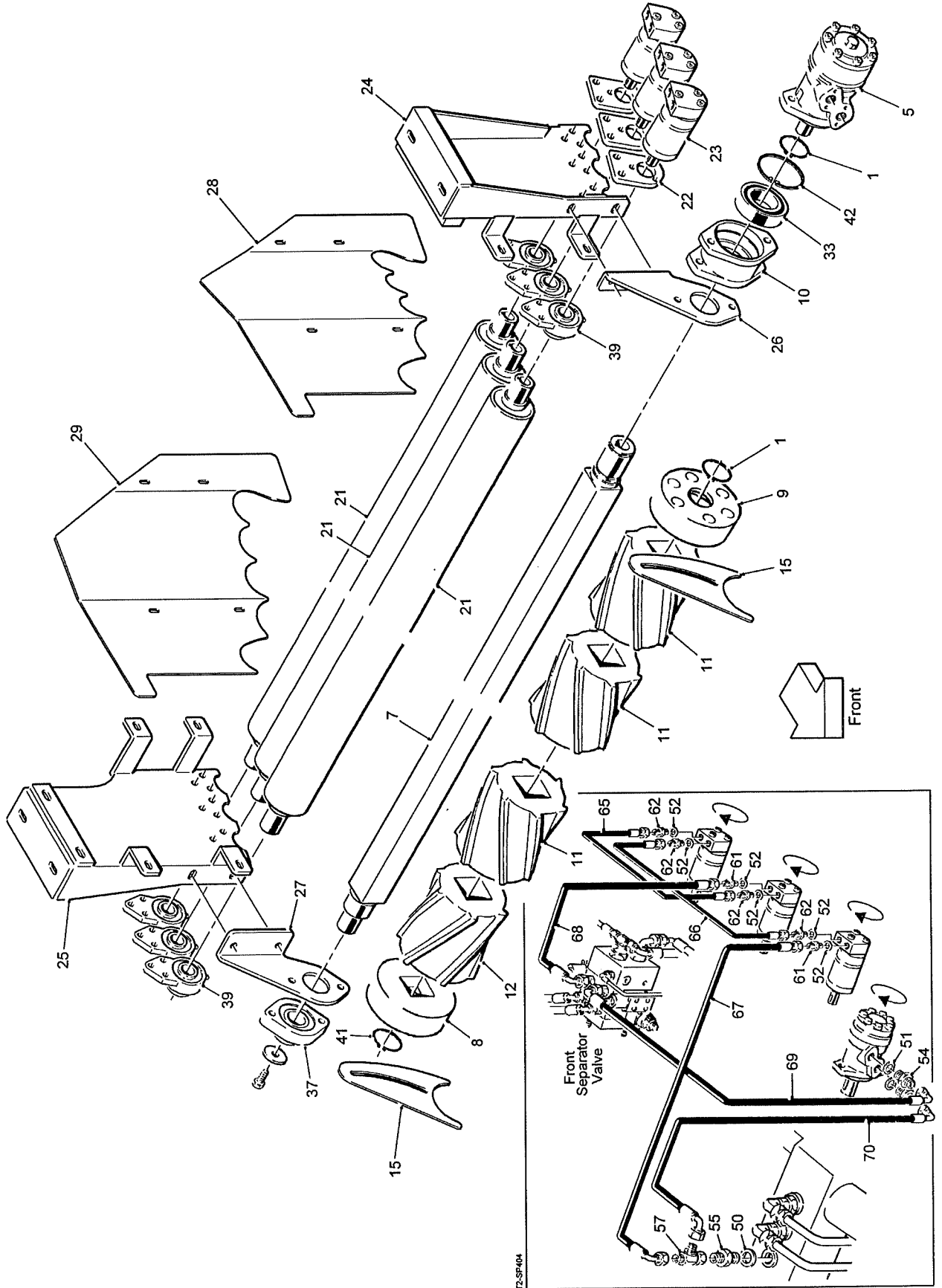
T2 SPARE PARTS

Triple Transfer Roller Unit

Assy No 70157

Item	Part No.	Description	Qty.	Remarks
1	70160	Roller Mounting LH	1	
2	70161	Roller Mounting RH	1	
3				
4				
5	70093	Transfer Roller	3	
6				
7	70095	Motor Plate	3	
8	70098	Stainless Steel Panel LH	1	
9	70100	Hydraulic Motor	3	
10				
12				
13				
14				
15	UCFB206	Bearing	6	
16				
		Hydraulic Components Consist Of:		
20				
21	11125	3/8"BSP Dowty Seal	6	
22				
23				
24				
25				
26				
27	UC25	3/8"BSP x1/2"BSP M M Adaptor	2	
28	UC31A	3/8"BSP M M Adaptor	4	
29				
30				
31	*****	3/8"Hose Assembly (*****mm)	1	
32	*****	3/8"Hose Assembly (*****mm)	1	
33	*****	1/2"Hose Assembly (*****mm)	1	
34	*****	1/2"Hose Assembly (*****mm)	1	

Triple Transfer Roller with Scroll Shaft Assy No 70125



Triple Transfer Roller with Scroll Shaft

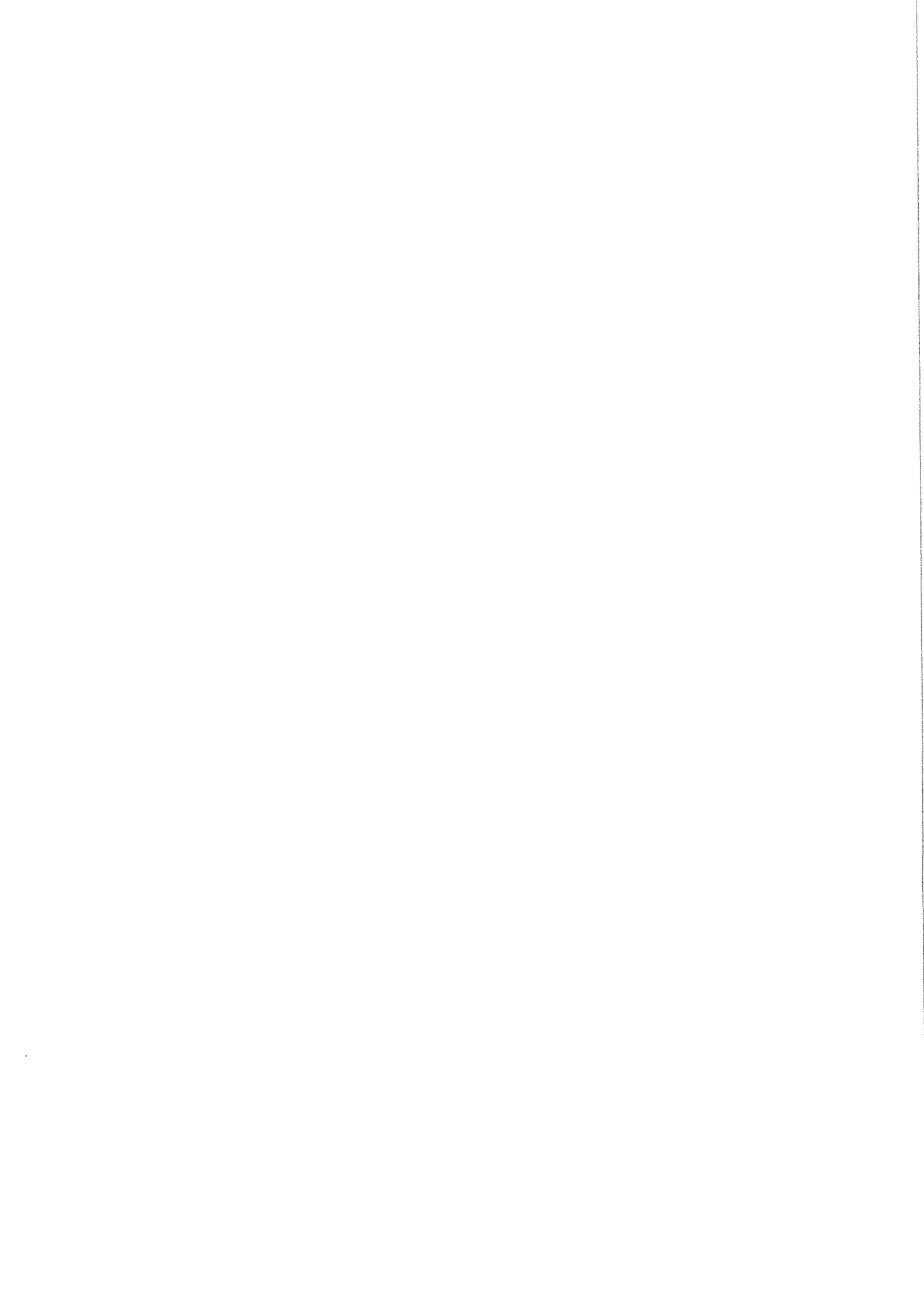
Assy No 70125

Item	Part No.	Description	Qty.	Remarks
1	33130/16	Ø50 External Circlip	2	
2				
3				
4				
5	46855	Hydraulic Motor	1	
6				
7	59136A/1800	Scroll Shaft	1	
8	59348	End Cap (Ø45 bore)	1	
9	59348A	End Cap (Ø50 bore)	1	
10	59529	Motor Mount	1	
11	59934C	6-Lip LH Cavity Scroll (X = 10mm)	9	LH Solid Scroll 59934S
	59936C	6-Lip LH Cavity Scroll (X = 6mm)	9	LH Solid Scroll 59936S
	64708	4-Lip LH Cavity Scroll (X = 10mm)	9	
	70007	4-Lip LH Cavity Scroll (X = 6mm)	9	
12	59935C	6-Lip RH Cavity Scroll (X = 10mm)	1	RH Solid Scroll 59935S
	59937C	6-Lip RH Cavity Scroll (X = 6mm)	1	RH Solid Scroll 59937S
	64709	4-Lip RH Cavity Scroll (X = 10mm)	1	
	70008	4-Lip RH Cavity Scroll (X = 6mm)	1	
13				
14				
15	64836B	Haulm Roller Filler Plate	2	
16				
17				
18				
19				
20				
21	70093	Transfer Roller	3	
22	70095	Motor Plate	3	
23	70100	Hydraulic Motor	3	
24	70126	Transfer Roller Mounting LH	1	
25	70127	Transfer Roller Mounting RH	1	
26	70128	Scroll Shaft Mounting LH	1	
27	70129	Scroll Shaft Mounting RH	1	
28	70130	Stainless Steel Panel LH	1	
29	70131	Stainless Steel Panel RH	1	
30				
31				
32				
33	60102RS	Bearing	1	
34				
35				
36				
37	LFTC35A	Bearing	1	
38				
39	UCFB206	Bearing	6	
40				
41	W0117	Ø45 External Circlip	1	
42	W0161	Ø80 Internal Circlip	1	
43				
44				
45				
46				

Triple Transfer Roller with Scroll Shaft

Assy No 70125

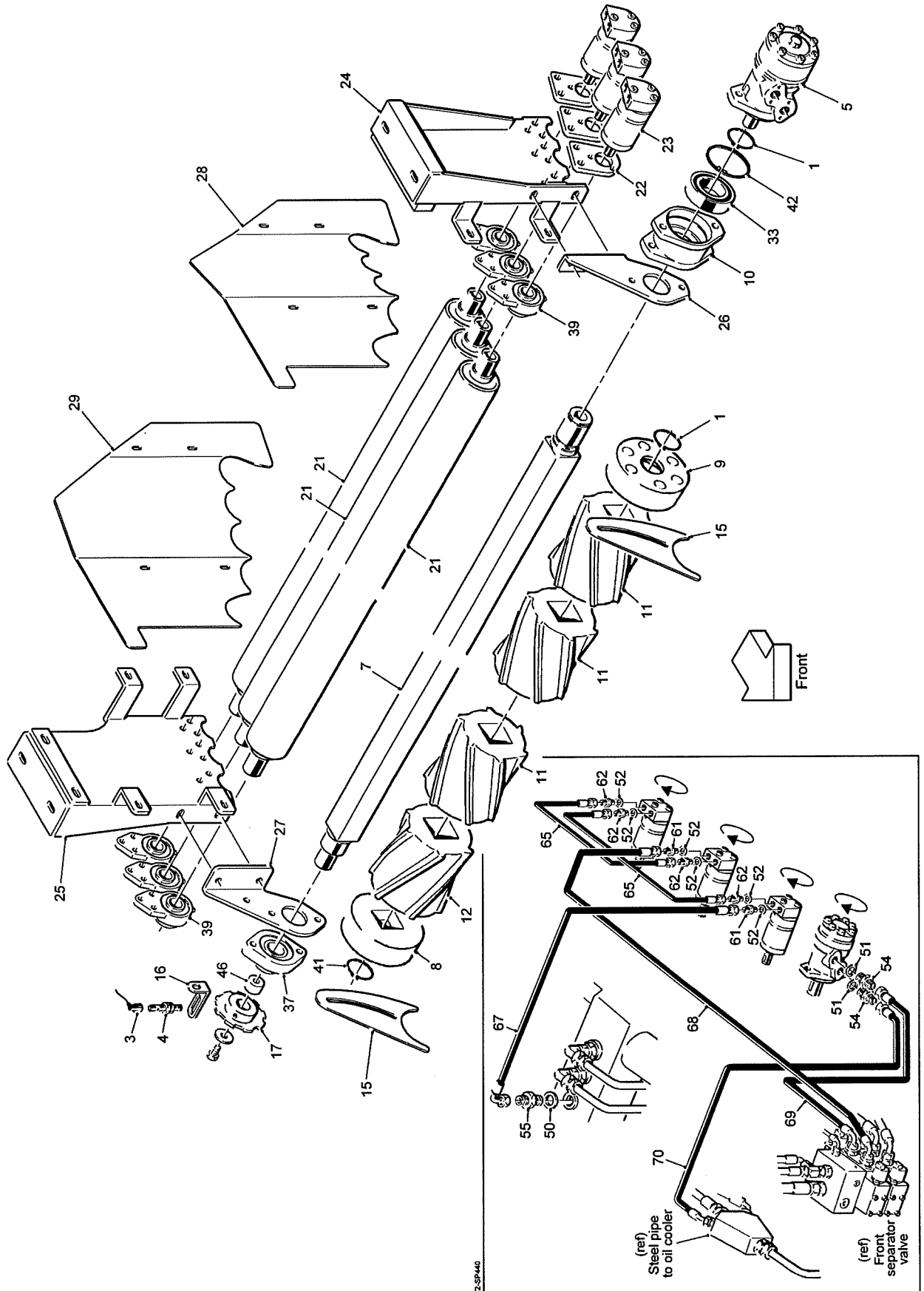
Item	Part No.	Description	Qty.	Remarks
		Hydraulic Components Consist Of:		
50	11122	1"BSP Dowty Seal	1	
51	11124	1/2"BSP Dowty Seal	2	
52	11125	3/8"BSP Dowty Seal	6	
53				
54	12315	1/2"BSP M M Adaptor	2	
55	12521	1/2"BSP x 1"BSP M M Adaptor	1	
56				
57	37367	1/2"BSP M F Swivel Adaptor	1	
58				
59				
60				
61	UC25	3/8"BSP x1/2"BSP M M Adaptor	2	
62	UC31A	3/8"BSP M M Adaptor	4	
63				
64				
65	*****	3/8"Hose Assembly (*****mm)	1	
66	*****	3/8"Hose Assembly (*****mm)	1	
67	*****	1/2"Hose Assembly (*****mm)	1	
68	*****	1/2"Hose Assembly (*****mm)	1	
69	*****	1/2"Hose Assembly (*****mm)	1	
70	*****	1/2"Hose Assembly (*****mm)	1	



Machines from Serial No T2-288

Triple Transfer Roller with Scroll Shaft

Assy No 70125



9.3a

T2 SPARE PARTS

Machines from Serial No T2-288

Triple Transfer Roller with Scroll Shaft

Assy No 70125

Item	Part No.	Description	Qty.	Remarks
1	33130/16	Ø50 External Circlip	2	
2				
3	32037/2	Sensor Cable 90° (5m)	1	
4	41504	Proximity Sensor	1	
5	46855	Hydraulic Motor	1	
6				
7	59136A/1800	Scroll Shaft	1	
8	59348	End Cap (Ø45 bore)	1	
9	59348A	End Cap (Ø50 bore)	1	
10	59529	Motor Mount	1	
11	59934C	6-Lip LH Cavity Scroll (X = 10mm)	9	LH Solid Scroll 59934S
	59936C	6-Lip LH Cavity Scroll (X = 6mm)	9	LH Solid Scroll 59936S
	64708	4-Lip LH Cavity Scroll (X = 10mm)	9	
	70007	4-Lip LH Cavity Scroll (X = 6mm)	9	
12	59935C	6-Lip RH Cavity Scroll (X = 10mm)	1	RH Solid Scroll 59935S
	59937C	6-Lip RH Cavity Scroll (X = 6mm)	1	RH Solid Scroll 59937S
	64709	4-Lip RH Cavity Scroll (X = 10mm)	1	
	70008	4-Lip RH Cavity Scroll (X = 6mm)	1	
13				
14				
15	64836B	Haulm Roller Filler Plate	2	
16	64659	Sensor Bracket	1	
17	64757	Sensor Disc	1	
18				
19				
20				
21	70093	Transfer Roller	3	
22	70095	Motor Plate	3	
23	70100	Hydraulic Motor	3	
24	70126	Transfer Roller Mounting LH	1	
25	70127	Transfer Roller Mounting RH	1	
26	70128	Scroll Shaft Mounting LH	1	
27	70129	Scroll Shaft Mounting RH	1	
28	70130	Stainless Steel Panel LH	1	
29	70131	Stainless Steel Panel RH	1	
30				
31				
32				
33	60102RS	Bearing	1	
34				
35				
36				
37	LFTC35A	Bearing	1	
38				
39	UCFB206	Bearing	6	
40				
41	W0117	Ø45 External Circlip	1	
42	W0161	Ø80 Internal Circlip	1	
43				
44				
45				
46	SS025011/025	Steel Spacer	1	

T2 SPARE PARTS**9.3b**

Machines from Serial No T2-288

Triple Transfer Roller with Scroll Shaft

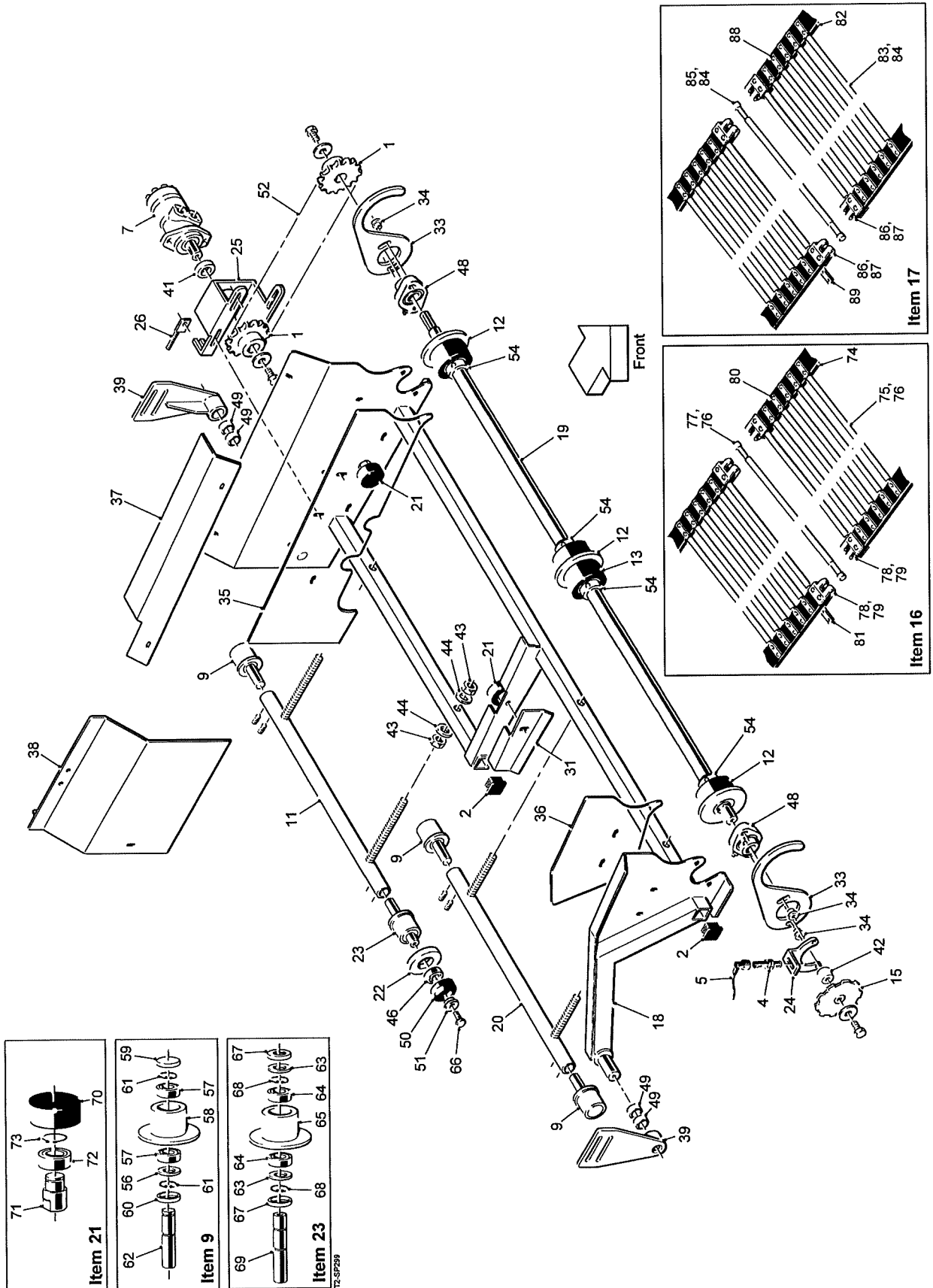
Assy No 70125

Item	Part No.	Description	Qty.	Remarks
		Hydraulic Components Consist Of:		
50	11122	1"BSP Dowty Seal	1	
51	11124	1/2"BSP Dowty Seal	2	
52	11125	3/8"BSP Dowty Seal	6	
53				
54	12315	1/2"BSP M M Adaptor	2	
55	12521	1/2"BSP x 1"BSP M M Adaptor	1	
56				
57				
58				
59				
60				
61	UC25	3/8"BSP x1/2"BSP M M Adaptor	2	
62	UC31A	3/8"BSP M M Adaptor	4	
63				
64				
65	13300	3/8"Hose Assembly (400mm)	2	
66				
67	51553	1/2"Hose Assembly (2300mm)	1	
68	60293	1/2"Hose Assembly (1900mm)	1	
69	60433	1/2"Hose Assembly (1650mm)	1	
70	71129	1/2"Hose Assembly (1500mm)	1	

Machines from 2021

Linked Spreader Web Unit (1125mm elevator)

Assy No 64451B



10.1a

T2 SPARE PARTS

Machines from 2021

Linked Spreader Web Unit (1125mm elevator)

Assy No 64451B

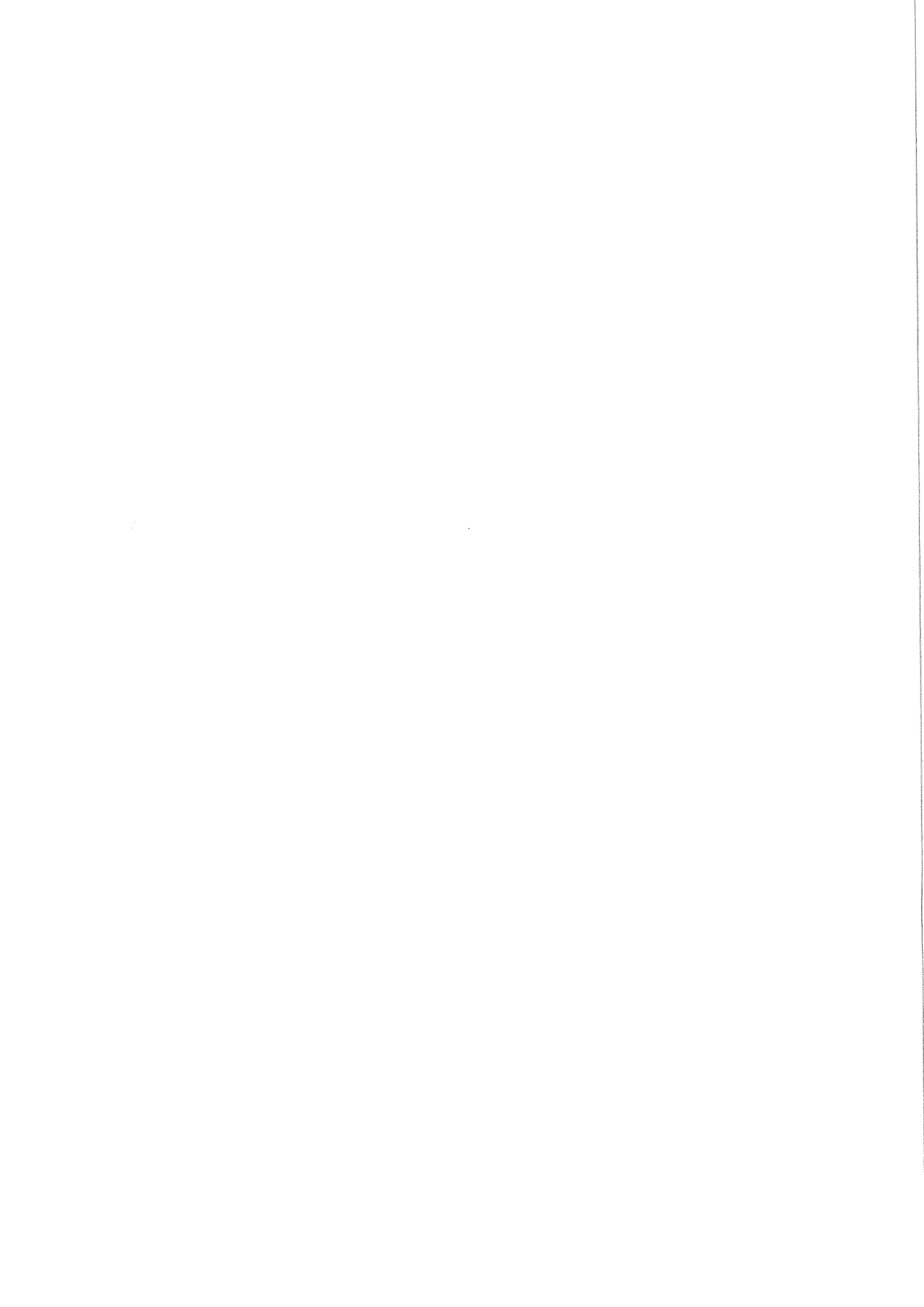
Item	Part No.	Description	Qty.	Remarks
1	27135	17T 3/4"Pitch Sprocket	2	
2	27159	40x40 Plastic Insert	3	
3				
4	32037/1	Proximity Sensor	1	
5	32037/4	Sensor Cable (10m)	1	
6				
7	46855	Hydraulic Motor	1	
8				
9	51666	Roller Assembly	3	(see list at end)
10				
11	56229	Roller Mounting(long thread)	1	
12	56230	Flanged Drive Roller	3	
13	56231	Plain Drive Roller	1	
14				
15	59276	Sensor Disc	1	
16	59212	Short Web Assembly	1	(see list at end)
17	59213	Long Web Assembly	1	(see list at end)
18	64452	Spreader Frame	1	
19	59220	Drive Shaft	1	
20	59221	Roller Mounting (short thread)	1	
21	59222	Roller Assembly	2	(see list at end)
22	59323	Nylon Guard Roller	1	
23	59324A	Roller Assembly	1	(see list at end)
24	59512	Sensor Bracket	1	
25	59663	Motor Mounting	1	
26	59677	Chain Adjuster	1	
27				
28				
29				
30				
31	64054	Stone Deflector	1	
32				
33	64453	Spreader Link	2	
34	64454	Top Hat Boss	4	
35	64455	Stainless Steel Panel LH	1	
36	64456A	Stainless Steel Panel RH	1	Prior to T2-264 was 64456
37	64457	Deflector Panel	1	
38	64684	Infill Panel	1	
39	64463	Pivot Plate	2	
40				
41	SS035026/018	Steel Spacer	1	
42	SS025009/025	Steel Spacer	1	
43	22029020	M20 Full Nut	8	
44	22046020	M20 Flat Washer	8	
45				
46	60052RS	Bearing	1	
47				
48	LFTC35A	Bearing	2	
49	12122	Oilite Bush	4	
50	RPC700.300666	Rubber End Cap	1	
51	RPC700.300667	Spigot Washer	1	
52	RPT732.620056	3/4"Pitch Drive Chain	1	
53				
54	ST41M	Ø40 Locking Collar	4	
55				

T2 SPARE PARTS**10.1b**

Machines from 2021

Linked Spreader Web Unit (1125mm elevator)**Assy No 64451B**

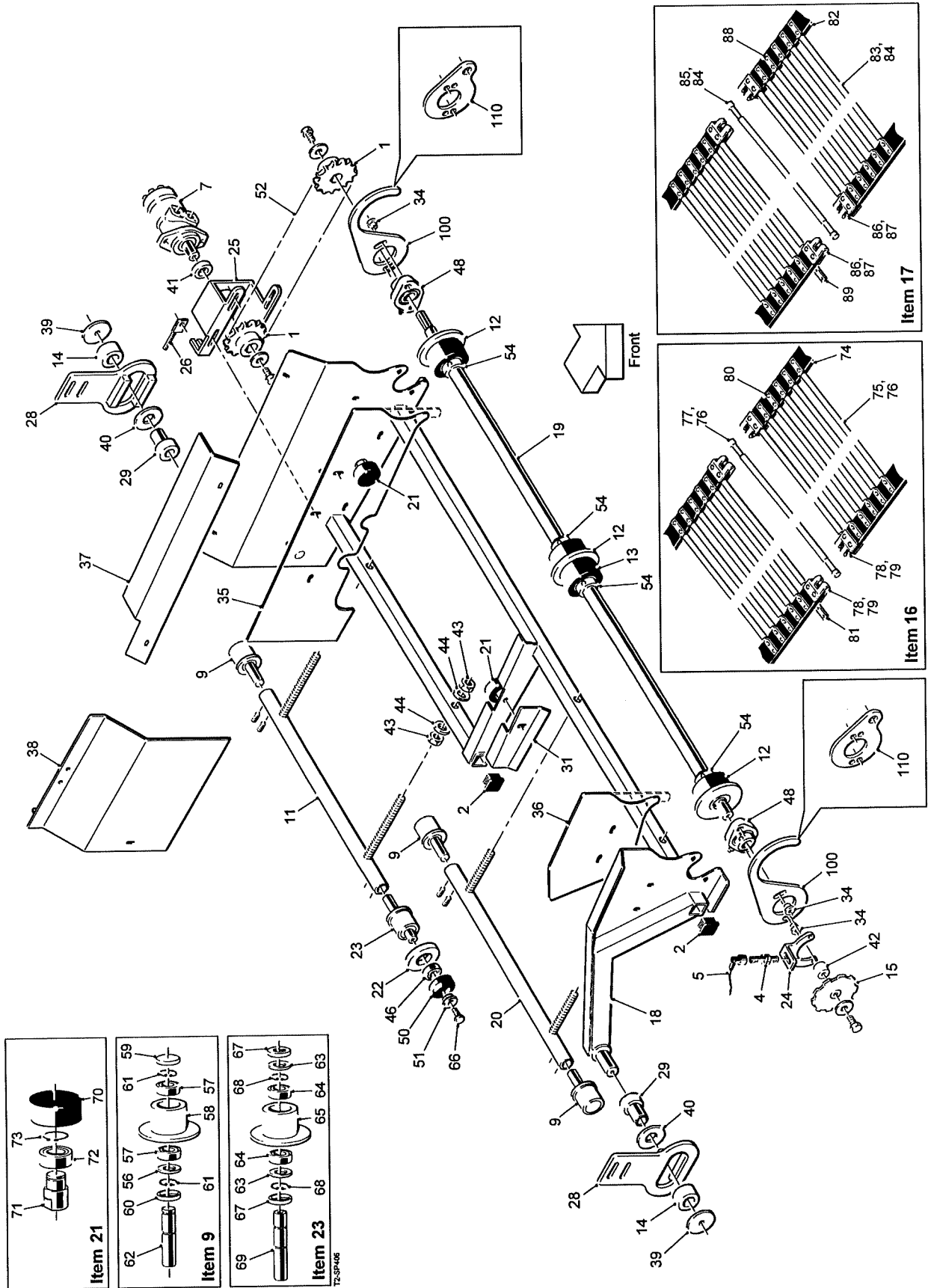
Item	Part No.	Description	Qty.	Remarks
	51666	Roller Assembly Consists Of:		
56	0000300504	Felt Seal	1	
57	6005RS	Bearing	2	
58	46398	Flanged Steel Roller	1	
59	PH407	Seal	1	
60	PH408	Seal	1	
61	PS843	Ø25 External Circlip	2	
62	51664	Roller Spindle	1	
	59324A	Roller Assembly Consists Of:		
63	0000300504	Felt Seal	2	
64	6005RS	Bearing	2	
65	46398	Flanged Steel Roller	1	
66	22125010/030	M10x30 LH Thread Setscrew	1	
67	PH408	Seal	2	
68	PS843	Ø25 External Circlip	2	
69	59322A	Roller Spindle (LH thread)	1	
	59222	Roller Assembly Consists Of:		
70	0000301601	Roller	1	
71	59223	Spindle	1	
72	6204RS	Bearing	1	
73	12298	Circlip	1	
	59212	Short Web Assembly Consists Of:		
74	56232/2	Web Belt	2	
75	56232/1	Web Rod	25	
76	56232/5	Rod Cover	26	
77	56232/4	Joining Rod	1	
78	51301/3	'F' Type Joiner (2 hole)	4	
79	DIN661 5x25	Ø5x25 Rivet	8	
80	DIN661 5x22	Ø5x22 Rivet	100	
81	46849/2	Clamp Plate	44	
	59213	Long Web Assembly Consists Of:		
82	56232/2	Web Belt	2	
83	56232/1	Web Rod	51	
84	56232/5	Rod Cover	52	
85	56232/4	Joining Rod	1	
86	51301/3	'F' Type Joiner (2 hole)	4	
87	DIN661 5x25	Ø5x25 Rivet	8	
88	DIN661 5x22	Ø5x22 Rivet	204	
89	46849/2	Clamp Plate	102	



Machines from Serial No. T2-272

Linked Spreader Web Unit (1125mm elevator)

Assy No 64451B



10.1a

T2 SPARE PARTS

Machines from Serial No. T2-272

Linked Spreader Web Unit (1125mm elevator)

Assy No 64451B

Item	Part No.	Description	Qty.	Remarks
1	27135	17T 3/4"Pitch Sprocket	2	
2	27159	40x40 Plastic Insert	3	
3				
4	32037/1	Proximity Sensor	1	
5	32037/4	Sensor Cable (10m)	1	
6				
7	46855	Hydraulic Motor	1	
8				
9	51666	Roller Assembly	3	(see list at end)
10				
11	56229	Roller Mounting(long thread)	1	
12	56230	Flanged Drive Roller	3	
13	56231	Plain Drive Roller	1	
14	56829	Nylon Roller	2	
15	59276	Sensor Disc	1	
16	59212	Short Web Assembly	1	(see list at end)
17	59213	Long Web Assembly	1	(see list at end)
18	64452	Spreader Frame	1	
19	59220	Drive Shaft	1	
20	59221	Roller Mounting (short thread)	1	
21	59222	Roller Assembly	2	(see list at end)
22	59323	Nylon Guard Roller	1	
23	59324A	Roller Assembly	1	(see list at end)
24	59512	Sensor Bracket	1	
25	59663	Motor Mounting	1	
26	59677	Chain Adjuster	1	
27				
28	70175	Bush Mounting Bracket	2	
29	70176	Spacer Bush	2	
30				
31	64054	Stone Deflector	1	
32				
33				
34	64454	Top Hat Boss	4	
35	64455	Stainless Steel Panel LH	1	For build 64754G use 64455B
36	64456A	Stainless Steel Panel RH	1	For build 64754G use 64456B
37	64457	Deflector Panel	1	
38	64684	Infill Panel	1	
39	SS080011/005	Steel Spacer	2	
40	SS080036/004	Steel Spacer	2	
41	SS035026/018	Steel Spacer	1	
42	SS025009/025	Steel Spacer	1	
43	22029020	M20 Full Nut	8	
44	22046020	M20 Flat Washer	8	
45				
46	60052RS	Bearing	1	
47				
48	LFTC35A	Bearing	2	
49				
50	RPC700.300666	Rubber End Cap	1	
51	RPC700.300667	Spigot Washer	1	
52	RPT732.620056	3/4"Pitch Drive Chain	1	
53				
54	ST41M	Ø40 Locking Collar	4	
55				

T2 SPARE PARTS

10.1b

Machines from Serial No. T2-272

Linked Spreader Web Unit (1125mm elevator)

Assy No 64451B

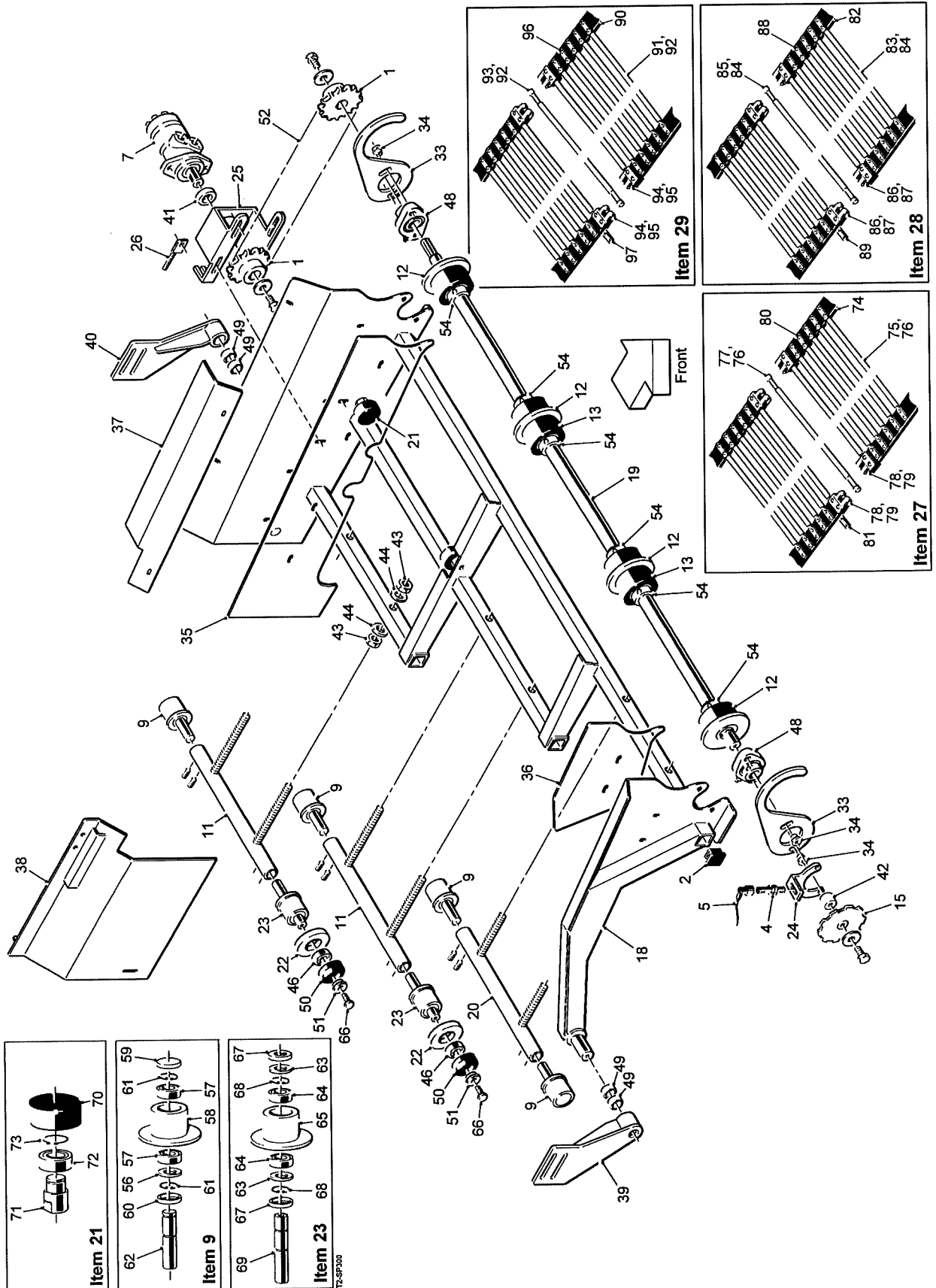
Item	Part No.	Description	Qty.	Remarks
	51666	Roller Assembly Consists Of:		
56	0000300504	Felt Seal	1	
57	6005RS	Bearing	2	
58	46398	Flanged Steel Roller	1	
59	PH407	Seal	1	
60	PH408	Seal	1	
61	PS843	Ø25 External Circlip	2	
62	51664	Roller Spindle	1	
	59324A	Roller Assembly Consists Of:		
63	0000300504	Felt Seal	2	
64	6005RS	Bearing	2	
65	46398	Flanged Steel Roller	1	
66	22125010/030	M10x30 LH Thread Setscrew	1	
67	PH408	Seal	2	
68	PS843	Ø25 External Circlip	2	
69	59322A	Roller Spindle (LH thread)	1	
	59222	Roller Assembly Consists Of:		
70	0000301601	Roller	1	
71	59223	Spindle	1	
72	6204RS	Bearing	1	
73	12298	Circlip	1	
	59212	Short Web Assembly Consists Of:		
74	56232/2	Web Belt	2	
75	56232/1	Web Rod	25	
76	56232/5	Rod Cover	26	
77	56232/4	Joining Rod	1	
78	51301/3	'F' Type Joiner (2 hole)	4	
79	DIN661 5x25	Ø5x25 Rivet	8	
80	DIN661 5x22	Ø5x22 Rivet	100	
81	46849/2	Clamp Plate	44	
	59213	Long Web Assembly Consists Of:		
82	56232/2	Web Belt	2	
83	56232/1	Web Rod	51	
84	56232/5	Rod Cover	52	
85	56232/4	Joining Rod	1	
86	51301/3	'F' Type Joiner (2 hole)	4	
87	DIN661 5x25	Ø5x25 Rivet	8	
88	DIN661 5x22	Ø5x22 Rivet	204	
89	46849/2	Clamp Plate	102	
100	64453B	Components For Build 64754A, 64754B & 64754E Spreader Link (to omega)	2	
110	70165	Components For Build 64754G Spreader Link (to roller table)	2	



Machines from 2021

Linked Spreader Web Unit (1300mm elevator)

Assy No 64479B



10.2a

T2 SPARE PARTS

Machines from 2021

Linked Spreader Web Unit (1300mm elevator)

Assy No 64479B

Item	Part No.	Description	Qty.	Remarks
1	27135	17T 3/4"Pitch Sprocket	2	
2	27159	40x40 Plastic Insert	5	
3				
4	32037/1	Proximity Sensor	1	
5	32037/4	Sensor Cable (10m)	1	
6				
7	46855	Hydraulic Motor	1	
8				
9	51666	Roller Assembly	4	(see list at end)
10				
11	59764	Roller Mounting(long thread)	2	
12	56230	Flanged Drive Roller	4	
13	56231	Plain Drive Roller	2	
14				
15	59276	Sensor Disc	1	
16				
17				
18	64478	Spreader Frame	1	
19	59763	Drive Shaft	1	
20	59765	Roller Mounting (short thread)	1	
21	59222	Roller Assembly	2	(see list at end)
22	59323	Nylon Guard Roller	2	
23	59324A	Roller Assembly	2	(see list at end)
24	59512	Sensor Bracket	1	
25	59663	Motor Mounting	1	
26	59677	Chain Adjuster	1	
27	59758	Short Web Assembly	1	(see list at end)
28	59759	Intermediate Web Assembly	1	(see list at end)
29	59760	Long Web Assembly	1	(see list at end)
30				
31				
32				
33	64453	Spreader Link	2	
34	64454	Top Hat Boss	4	
35	64455A	Stainless Steel Panel LH	1	
36	64456A	Stainless Steel Panel RH	1	
37	64457	Deflector Panel	1	
38	64684A	Infill Panel	1	Supersedes 64461A
39	64464	Pivot Plate LH	1	
40	64482	Pivot Plate RH	1	
41	SS035026/018	Steel Spacer	1	
42	SS025009/025	Steel Spacer	1	
43	22029020	M20 Full Nut	12	
44	22046020	M20 Flat Washer	12	
45				
46	60052RS	Bearing	2	
47				
48	LFTC35A	Bearing	2	
49	12122	Oilite Bush	4	
50	RPC700.300666	Rubber End Cap	2	
51	RPC700.300667	Spigot Washer	2	
52	RPT732.620056	3/4"Pitch Drive Chain	1	
53				
54	ST41M	Ø40 Locking Collar	4	
55				

T2 SPARE PARTS**10.2b**

Machines from 2021

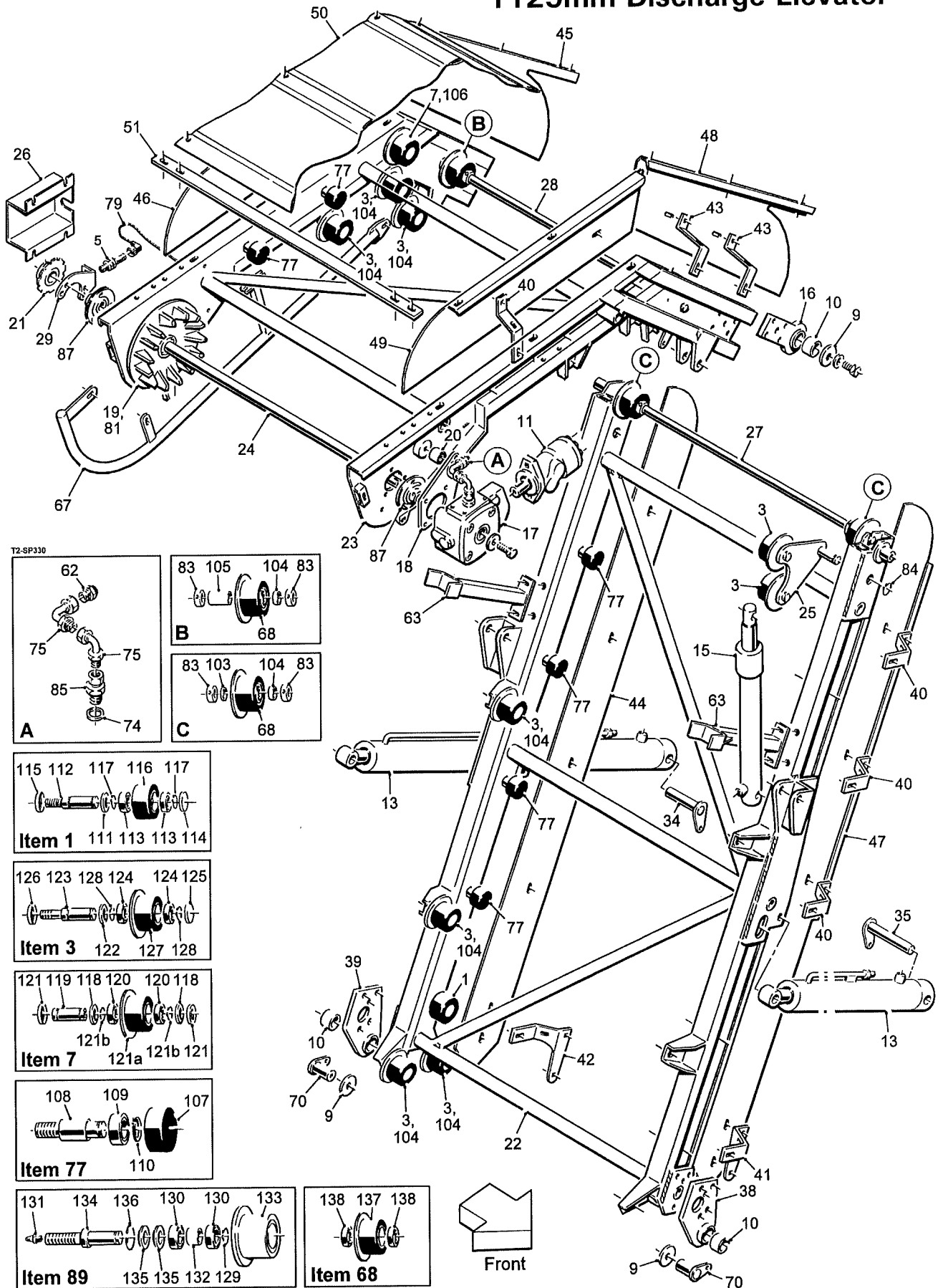
Linked Spreader Web Unit (1300mm elevator)**Assy No 64479B**

Item	Part No.	Description	Qty.	Remarks
	51666	Roller Assembly Consists Of:		
56	0000300504	Felt Seal	1	
57	6005RS	Bearing	2	
58	46398	Flanged Steel Roller	1	
59	PH407	Seal	1	
60	PH408	Seal	1	
61	PS843	Ø25 External Circlip	2	
62	51664	Roller Spindle	1	
	59324A	Roller Assembly Consists Of:		
63	0000300504	Felt Seal	2	
64	6005RS	Bearing	2	
65	46398	Flanged Steel Roller	1	
66	22125010/030	M10x30 LH Thread Setscrew	1	
67	PH408	Seal	2	
68	PS843	Ø25 External Circlip	2	
69	59322A	Roller Spindle (LH thread)	1	
	59222	Roller Assembly Consists Of:		
70	0000301601	Roller	1	
71	59223	Spindle	1	
72	6204RS	Bearing	1	
73	12298	Circlip	1	
	59758	Short Web Assy Consists Of:		
74	59758/3	Web Belt	2	
75	59758/1	Web Rod	25	
76	59758/2	Rod Cover	26	
77	59758/4	Joining Rod	1	
78	51301/3	'F' Type Joiner (2 hole)	4	
79	DIN661 5x25	Ø5x25 Rivet	8	
80	DIN661 5x22	Ø5x22 Rivet	92	
81	46849/2	Clamp Plate	46	
	59759	Intermediate Web Assy Consists Of:		
82	59759/3	Web Belt	2	
83	59758/1	Web Rod	45	
84	59758/2	Rod Cover	46	
85	59758/4	Joining Rod	1	
86	51301/3	'F' Type Joiner (2 hole)	4	
87	DIN661 5x25	Ø5x25 Rivet	8	
88	DIN661 5x22	Ø5x22 Rivet	172	
89	46849/2	Clamp Plate	86	
	59760	Long Web Assy Consists Of:		
90	59760/3	Web Belt	2	
91	59758/1	Web Rod	64	
92	59758/2	Rod Cover	65	
93	59758/4	Joining Rod	1	
94	51301/3	'F' Type Joiner (2 hole)	4	
95	DIN661 5x25	Ø5x25 Rivet	8	
96	DIN661 5x22	Ø5x22 Rivet	248	
97	46849/2	Clamp Plate	124	



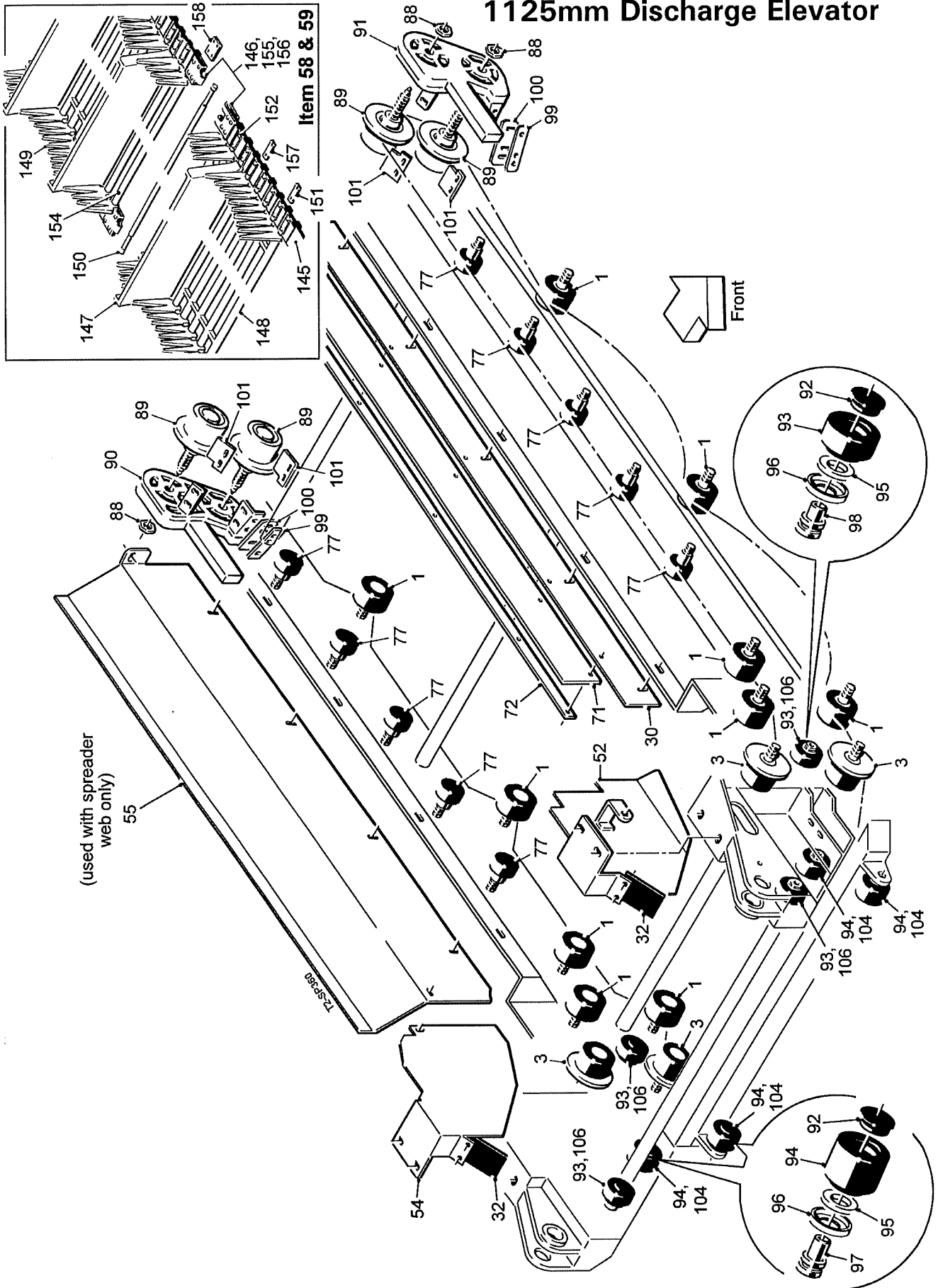
Machines from 2021

1125mm Discharge Elevator



Machines from 2021

1125mm Discharge Elevator



T2 SPARE PARTS**10.5b**

Machines from 2021

1125mm Discharge Elevator

Item	Part No.	Description	Qty.	Remarks
1	19356	Roller Assembly	12	(see list at end)
2				
3	12506	Roller Assembly	22	(see list at end)
4				
5	32037/1	Proximity Sensor	1	
6				
7	47083	Roller Assembly	2	(see list at end)
8				
9	46196	Pivot Retainer	4	
10	46379	Nylon Bush	4	
11	46855RP	Hydraulic Motor (rear port)	1	
12				
13	64714	Hydraulic Ram	2	
14				
15	56256	Hydraulic Ram	2	
16	56591	Top Pivot Plate	2	
17	56641	Gearbox Assembly	1	
18	59679	Reaction Plate	1	
19	56884	Drive Sprocket	2	
20	59680	Bush	1	
21	59151	Sensor Disc	1	
22	59228	Elevator Centre Frame (1125mm)	1	
23	64179	Elevator Top Section (1125mm)	1	
24	59230	Drive Shaft	1	
25	59244A	Roller Bracket	2	
26	59313	Sensor Guard	1	
27	59315	Tie Bar	1	
28	59330	Tie Bar	1	
29	59364	Sensor Bracket	1	
30	59415	Front Deflector	1	
31				
32	59436	Rubber Flap	2	
33				
34	65010	Pivot Pin (short)	1	
35	65010A	Pivot Pin (long)	1	
36				
37				
38	59658	Bottom Pivot Plate	1	
39	59659	Bottom Pivot Plate	1	
40	59573	Panel Mounting Bracket (short)	12	
41	59573A	Front Panel Mounting Bracket	1	
42	59573B	Rear Panel Mounting Bracket	1	Not used with windrowkit
43	59574	Panel Mounting Bracket (long)	4	
44	59575	Rear Lower Side Panel	1	
45	59576	Rear Middle Side Panel	1	
46	59577	Rear Top Side Panel	1	Not used with windrowkit
47	59578	Front Lower Side Panel	1	
48	59579	Front Middle Side Panel	1	
49	59580	Front Top Side Panel	1	
50	59610	Elevator Cover (1125mm)	1	
51	59611	Cover Support	5	
52	64529	Front Elevator Web Side	1	
	59668D	Front Elevator Web Side	1	Used with roller table
53				

10.5c

T2 SPARE PARTS

Machines from 2021

1125mm Discharge Elevator

Item	Part No.	Description	Qty.	Remarks
54	59669C	Rear Elevator Web Side	1	Used with spreader web
	64530	Rear Elevator Web Side	1	Used with picking table
55	64462	Rear Deflector	1	Used with spreader web only
56				
57				
58	59332	Standard Web Assy (1125mm)	1	Option (see list at end)
59	59332A	Std Web with Centre Band (1125mm)	1	Option (see list at end)
60				
61				
62	60370	1/4"BSP Breather	1	
63	64933	Elevator Support	2	
64				
65				
66				
67	64180	Guard Rail	2	
68	64257	Roller Assembly	4	(see list at end)
69				
70	68038	Pivot Pin	2	
71	64678	Rubber Skirt	1	
72	64679	Clamp Strip	1	
73				
74	11124	1/2"BSP Dowty Seal	1	
75	12378	1/4"BSP M F Swept 90°Adaptor	2	
76				
77	0000301600	Roller Assembly	22	(see list at end)
78				
79	JK63720/5	Sensor Cable (15m)	1	
80				
81	HER09681A	Taperlock Bush	2	
82				
83	PS488M	Ø25 Locking Collar	8	
84	PS843	Ø25 External Circlip	2	
85	51588	1/2"BSPM x1/4"BSPF Swivel Adaptor	1	
86				
87	RAY35	Bearing	2	
88	RPGM002.00066	Locking Washer	4	
89	RPA510.309022	Roller Assembly	4	(see list at end)
90	RPA610.308647	Roller Mounting	1	
91	RPA610.308648	Roller Mounting	1	
92	RPC620.303070	Cap	7	
93	RPC700.300227	Ø75 Roller c/w Bearing	4	
94	RPC700.300148	Ø75 Roller c/w Bearings	4	
95	RPGM070.00446	Felt Seal	6	
96	RPGM089.00565	Roller Shield	6	
97	RPM180.303071	Roller Bush	4	
98	RPM180.300308	Roller Spindle	2	
99	RPM256.300133	Clamp Strip	2	
100	RPW240.300992	Perspex Scraper	2	
101	RPW240.310380	Scraper	4	
102				
103	SS030026/005	Steel Spacer	a/r	
104	RPM176.306319	Steel Spacer (10mm)	a/r	
105	SS030026/072	Steel Spacer	2	
106	SS030017/025	Steel Spacer	6	

Machines from 2021

1125mm Discharge Elevator

Item	Part No.	Description	Qty.	Remarks
	0000301600	Roller Assembly Consists Of:		
107	0000301601	Roller	1	
108	0000301602	Spindle	1	
109	6204RS	Bearing	1	
110	12298	Circlip	1	
	19356	Roller Assembly Consists Of:		
111	0000300504	Felt Seal	1	
112	11265	Spindle	1	
113	6005RS	Bearing	2	
114	PH407	Seal	1	
115	PH408	Seal	1	
116	PH77AR	Plain Roller	1	
117	PS843	Circlip	2	
	47083	Roller Assembly Consists Of:		
118	0000300504	Felt Seal	2	
119	47141	Roller Spindle	1	
120	6005RS	Bearing	2	
121	PH408	Seal	2	
121a	PH51AR	Flanged Roller	1	
121b	PS843	Circlip	2	
	12506	Roller Assembly Consists Of:		
122	0000300504	Felt Seal	1	
123	11265	Spindle	1	
124	6005RS	Bearing	2	
125	PH407	Seal	1	
126	PH408	Seal	1	
127	PH51AR	Flanged Roller	1	
128	PS843	Circlip	2	
	RPA510.309022	Roller Assembly Consists Of:		
129	12298	Circlip	1	
130	6204	Bearing	2	
131	RPC648.061000	M6 Straight Grease Nipple	1	
132	RPGM060.00416	Spacer	1	
133	RPM156.300677	Flanged Roller	1	
134	RPM180.309021	Spindle	1	
135	RPS210.002042	Metal Seal	2	
136	W0113	Circlip	1	
	64257	Roller Assembly Consists Of:		
137	PH51AR	Flanged Roller	1	
138	6005RS	Bearing	2	

10.5e**T2 SPARE PARTS**

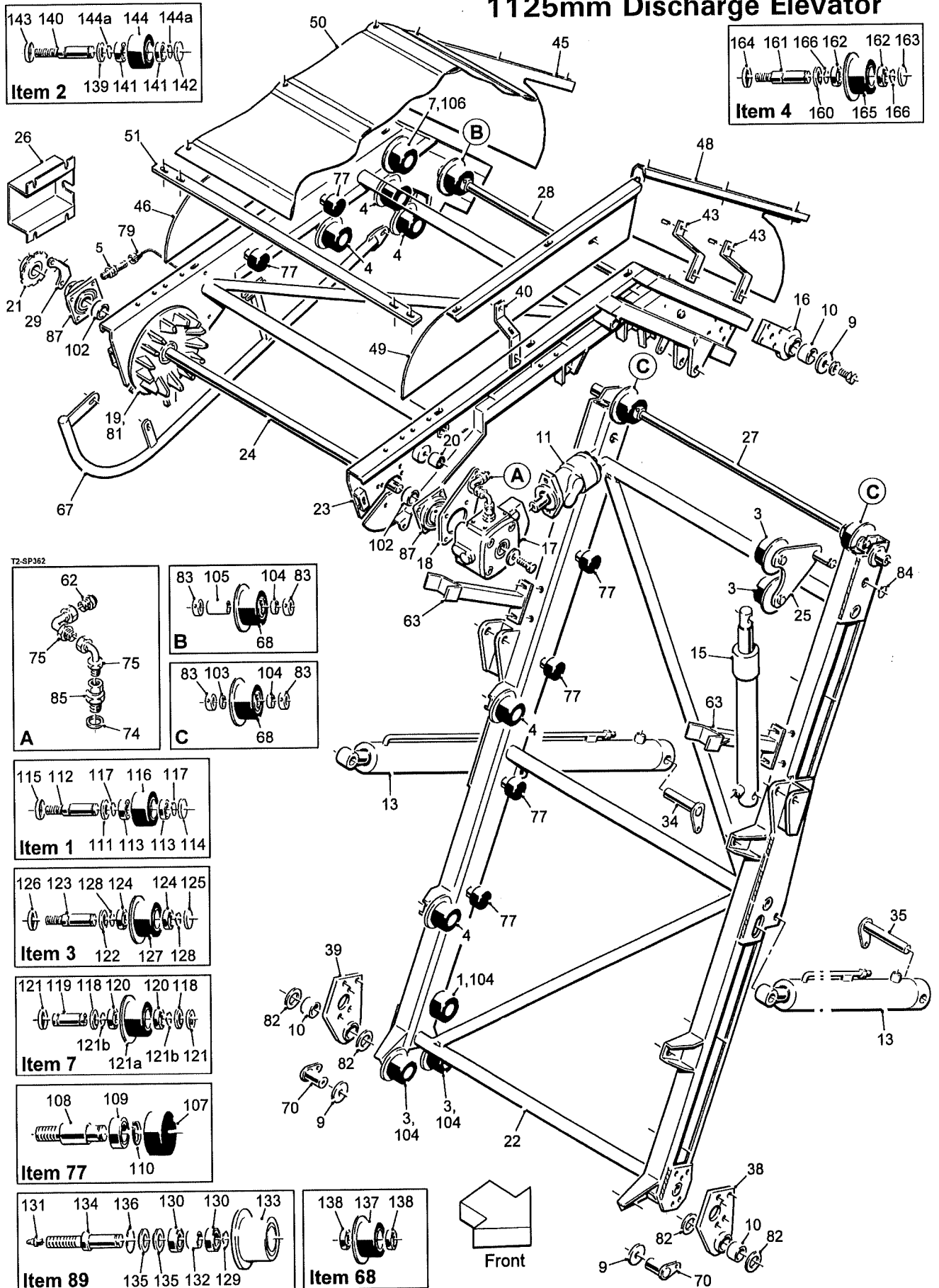
Machines from 2021

1125mm Discharge Elevator

Item	Part No.	Description	Qty.	Remarks
	59332	Standard Web Assembly Consists Of:		
145	59332/1	Web Belt	2	
146	56825/2	Joiner Set	2	
147	59332/2	Flight Moulding	66	
148	59332/3A	5 Web Bar Section	66	
149	56825/5	Side Finger Moulding	132	
150	59332/6	Joining Rod	1	
151	46847/4	Backing Plate (for web bars)	792	
152	RPF240.160250	Ø6x25 Rivet	1584	
153				
154	59332/3	Bar Moulding	4	
155	22012006/035	M6x35 Hex Head Bolt	8	
156	22012008/035	M8x35 Hex Head Bolt	8	
157	56825/9	Backing Plate (for flights)	132	
158	56825/10	Backing Plate (4 hole tapped)	4	
159				
	59332A	Standard Web Assembly with Centre Band Consists Of:		
145	59332/1	Outer Web Belt	2	
146	56825/2	Joiner Set	3	
147	59332/2	Flight Moulding	65	
148	59332A/3	Ø30 Web Bar Moulding	326	
149	56825/5	Side Finger Moulding	130	
150	59332/6	Joining Rod	1	
151	-	Backing Plate	a/r	
152	-	Rivet	a/r	
153	59332A/1	Centre Web Belt	1	(not shown)

Machines from Serial No T2-264

1125mm Discharge Elevator

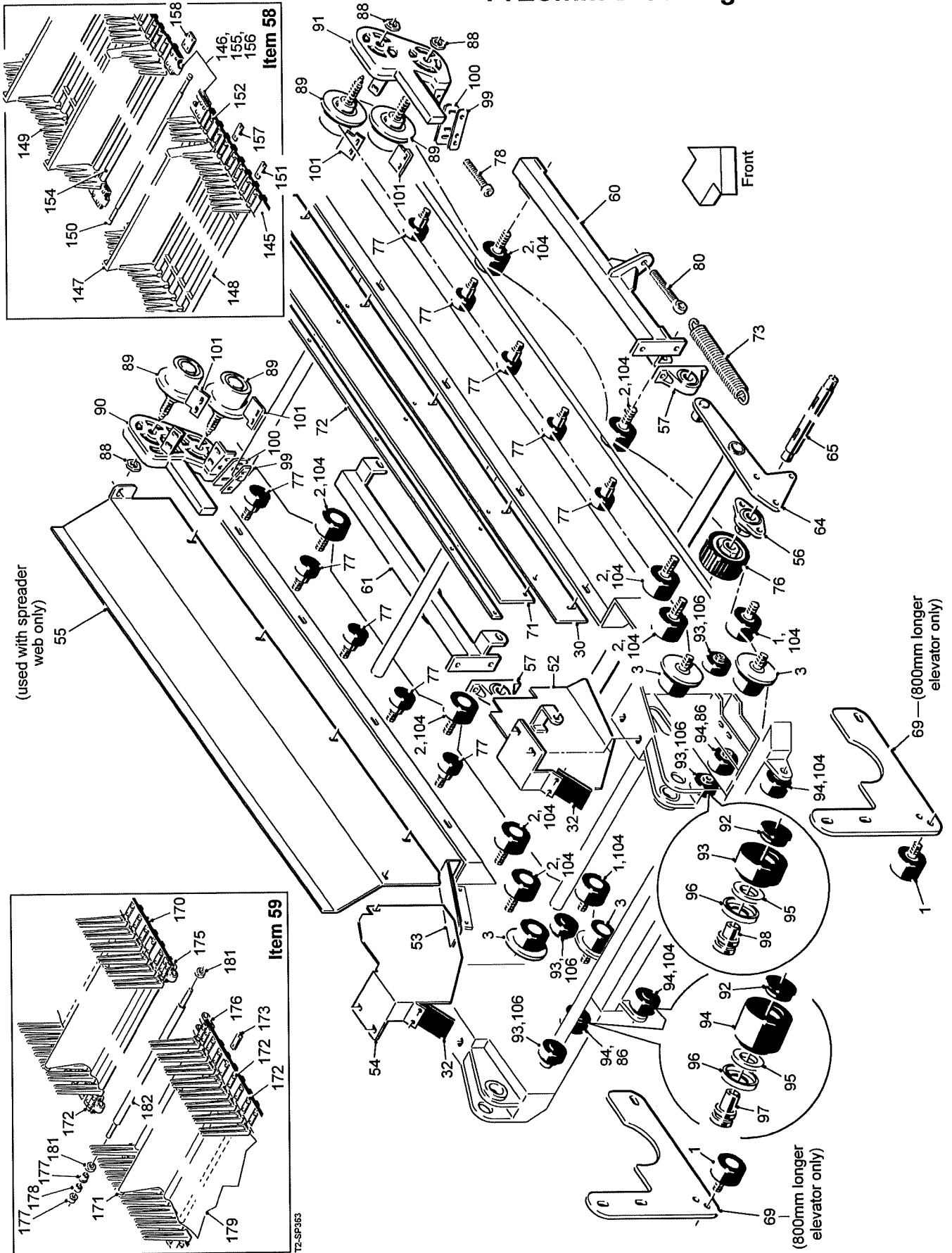


10.5a

T2 SPARE PARTS

Machines from Serial No T2-264

1125mm Discharge Elevator



T2 SPARE PARTS**10.5b**

Machines from Serial No T2-264

1125mm Discharge Elevator

Item	Part No.	Description	Qty.	Remarks
1	19356	Roller Assembly	4	(see list at end)
2	11568	Roller Assembly	8	(see list at end)
3	12506	Roller Assembly	12	(see list at end)
4	12527	Roller Assembly	10	(see list at end)
5	32037/1	Proximity Sensor	1	
6				
7	47083	Roller Assembly	2	(see list at end)
8				
9	46196	Pivot Retainer	4	
10	46379	Nylon Bush	4	
11	46855RP	Hydraulic Motor (rear port)	1	
12				
13	64714	Hydraulic Ram	2	
14				
15	56256	Hydraulic Ram	2	
16	56591	Top Pivot Plate	2	
17	56641	Gearbox Assembly	1	
18	59679	Reaction Plate	1	
19	56884	Drive Sprocket	2	
20	59680	Bush	1	
21	59151	Sensor Disc	1	
22	64961	Elevator Centre Frame (1125mm)	1	Standard elevator
	64961L	Elevator Centre Frame (1125mm)	1	800mm longer elevator
23	64179	Elevator Top Section (1125mm)	1	
24	70101	Drive Shaft (for 4 hole bearing)	1	Prior to 2022 was 59230
25	59244A	Roller Bracket	2	
26	59313	Sensor Guard	1	
27	59315	Tie Bar	1	
28	59330	Tie Bar	1	
29	70102	Sensor Bracket (for 4 hole bearing)	1	Prior to 2022 was 59364
30	59415	Front Deflector	1	
31				
32	59436	Rubber Flap	2	
33				
34	65010	Pivot Pin (short)	1	
35	65010A	Pivot Pin (long)	1	
36				
37				
38	59658	Bottom Pivot Plate	1	Standard elevator
	59658A	Bottom Pivot Plate	1	800mm longer elevator
39	59659	Bottom Pivot Plate	1	Standard elevator
	59659A	Bottom Pivot Plate	1	800mm longer elevator
40	59573	Panel Mounting Bracket (short)	4	
41				
42				
43	59574	Panel Mounting Bracket (long)	4	
44				
45	59576	Rear Middle Side Panel	1	
46	59577	Rear Top Side Panel	1	
47				
48	59579	Front Middle Side Panel	1	
49	59580	Front Top Side Panel	1	
50	59610	Elevator Cover (1125mm)	1	

10.5c**T2 SPARE PARTS**

Machines from Serial No T2-264

1125mm Discharge Elevator

Item	Part No.	Description	Qty.	Remarks
51	59611	Cover Support	5	
52	64529	Front Elevator Web Side	1	
	59668D	Front Elevator Web Side	1	Used with roller table
53	70077	Roller Shield	1	
54	59669C	Rear Elevator Web Side	1	Used with spreader web
	64530	Rear Elevator Web Side	1	Used with picking table
55	64462	Rear Deflector	1	Used with spreader web only
56	SFT30	Ø30 Bearing	2	
57	SL30A	Ø30 Bearing	2	
58	59332	Standard Web Assy (1125mm)	1	Option (see list at end)
59	64657B	Soft Drop Web Assy (1125mm)	1	Option (see list at end)
	64657	Soft Drop Web Assy (1125mm)	1	Prior to T2-275
60	64915	Tension Roller Bracket Front	1	
61	64916	Tension Roller Bracket Rear	1	
62	60370	1/4"BSP Breather	1	
63	64933	Elevator Support	2	
64	64917	Tension Roller Arm	1	
65	64918	Tension Roller Shaft	1	
66				
67	64180	Guard Rail	2	
68	64257	Roller Assembly	4	(see list at end)
69	70241	Roller Support Plate	2	800mm longer elev only
70	68038	Pivot Pin	2	
71	64678	Rubber Skirt	1	
72	64679	Clamp Strip	1	
73	PS194	Tension Spring	2	
74	11124	1/2"BSP Dowty Seal	1	
75	12378	1/4"BSP M F Swept 90° Adaptor	2	
76	RPC700.301543	Rubber Covered Roller	2	
77	0000301600	Roller Assembly	22	(see list at end)
78	22015016/100	M16x100 Socket Cap Screw	2	
79	JK63720/6	Sensor Cable Straight (20m)	1	
80	RPF120.116125	M16x140 Eye Bolt	2	
81	HERO9681A	Taperlock Bush	2	
82	SS070047/004	Steel Spacer	4	
83	PS488M	Ø25 Locking Collar	8	
84	PS843	Ø25 External Circlip	2	
85	51588	1/2"BSPM x1/4"BSPF Swivel Adaptor	1	
86	SS030017/015	Steel Spacer	2	
87	SF35	Bearing (4 hole)	2	Prior to 2022 was RAY35
88	RPGM002.00066	Locking Washer	4	
89	RPA510.309022	Roller Assembly	4	(see list at end)
90	RPA610.308647	Roller Mounting	1	
91	RPA610.308648	Roller Mounting	1	
92	RPC620.303070	Cap	7	
93	RPC700.300227	Ø75 Roller c/w Bearing	4	
94	RPC700.300148	Ø75 Roller c/w Bearings	4	
95	RPGM070.00446	Felt Seal	6	
96	RPGM089.00565	Roller Shield	6	
97	RPM180.303071	Roller Bush	4	
98	RPM180.300308	Roller Spindle	2	
99	RPM256.300133	Clamp Strip	2	
100	RPW240.300992	Perspex Scraper	2	
101	RPW240.310380	Scraper	4	

T2 SPARE PARTS**10.5d**

Machines from Serial No T2-264

1125mm Discharge Elevator

Item	Part No.	Description	Qty.	Remarks
102	SS040036/025	Steel Spacer	2	
103	SS030026/005	Steel Spacer	a/r	
104	RPM176.306319	Steel Spacer (10mm)	a/r	
105	SS030026/072	Steel Spacer	2	
106	SS030017/025	Steel Spacer	6	
	0000301600	Roller Assembly Consists Of:	1	
107	0000301601	Roller	1	
108	0000301602	Spindle	1	
109	6204RS	Bearing	1	
110	12298	Circlip		
	19356	Roller Assembly Consists Of:	1	
111	0000300504	Felt Seal	1	
112	11265	Spindle	2	
113	6005RS	Bearing	1	
114	PH407	Seal	1	
115	PH408	Seal	1	
116	PH77AR	Plain Roller	2	
117	PS843	Circlip		
	47083	Roller Assembly Consists Of:	2	
118	0000300504	Felt Seal	1	
119	47141	Roller Spindle	2	
120	6005RS	Bearing	2	
121	PH408	Seal	1	
121a	PH51AR	Flanged Roller	2	
121b	PS843	Circlip		
	12506	Roller Assembly Consists Of:	1	
122	0000300504	Felt Seal	1	
123	11265	Spindle	2	
124	6005RS	Bearing	1	
125	PH407	Seal	1	
126	PH408	Seal	1	
127	PH51AR	Flanged Roller	2	
128	PS843	Circlip		
	RPA510.309022	Roller Assembly Consists Of:	1	
129	12298	Circlip	2	
130	6204	Bearing	1	
131	RPC648.061000	M6 Straight Grease Nipple	1	
132	64669	Spacer	1	Was RPGM060.00416
133	RPM156.300677	Flanged Roller	1	
134	RPM180.309021	Spindle	2	
135	RPS210.002042	Metal Seal	1	
136	W0113	Circlip		
	64257	Roller Assembly Consists Of:	1	
137	PH51AR	Flanged Roller	2	
138	6005RS	Bearing		
	11568	Roller Assembly Consists Of:	1	
139	0000300504	Felt Seal	1	
140	PH406AM	Spindle		

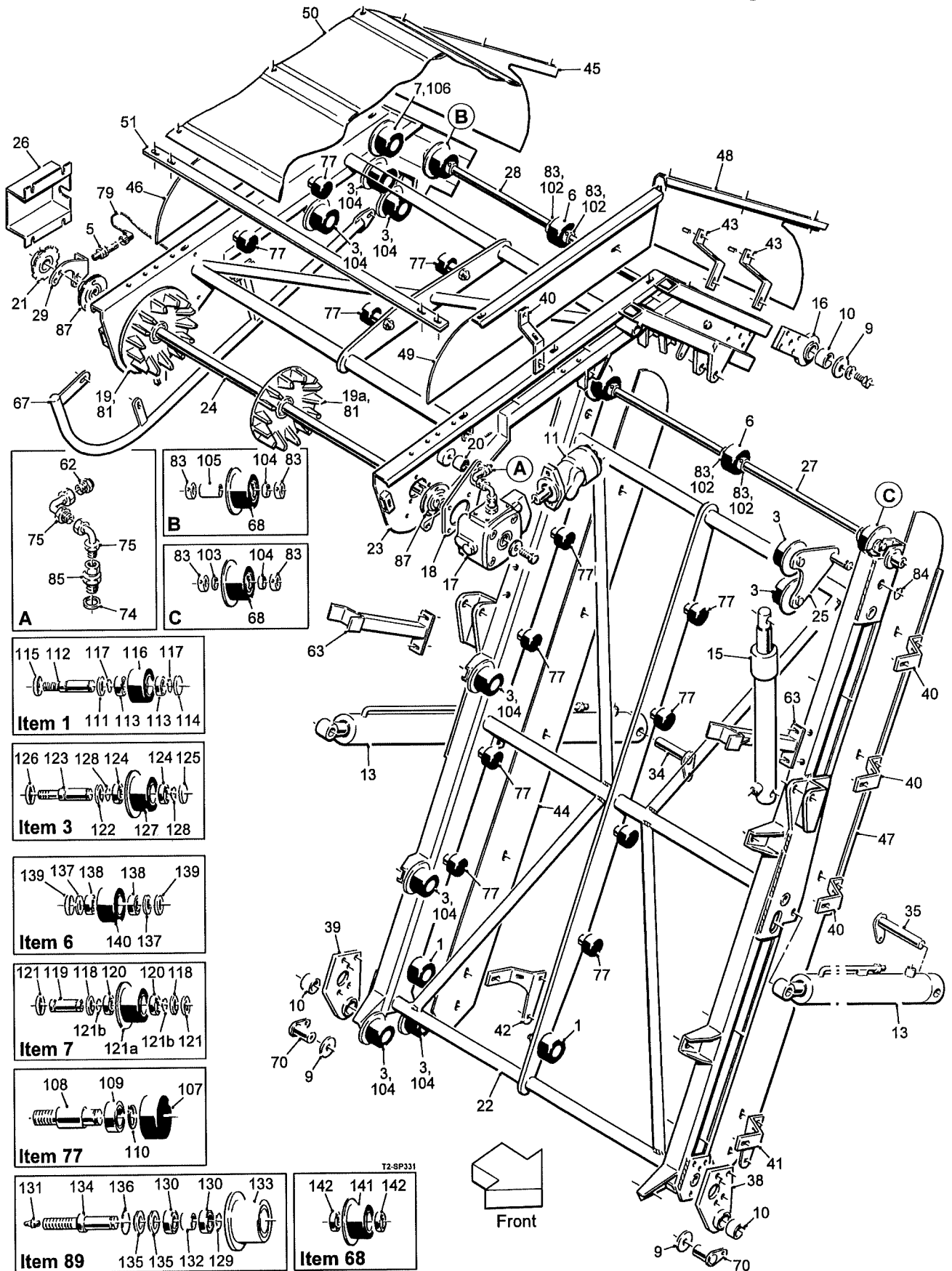
Machines from Serial No T2-264

1125mm Discharge Elevator

Item	Part No.	Description	Qty.	Remarks
141	6005RS	Bearing	2	
142	PH407	Seal	1	
143	PH408	Seal	1	
144	PH77AR	Plain Roller	1	
144a	PS843	Circlip	2	
	59332	Standard Web Assembly Consists Of:		
145	59332/1	Web Belt	2	
146	56825/2	Joiner Set	2	
147	59332/2	Flight Moulding	66	
148	59332/3A	5 Web Bar Section	66	
149	56825/5	Side Finger Moulding	132	
150	59332/6	Joining Rod	1	
151	46847/4	Backing Plate (for web bars)	792	
152	RPF240.160250	Ø6x25 Rivet	1584	
153				
154	59332/3	Bar Moulding	4	
155	22012006/035	M6x35 Hex Head Bolt	8	
156	22012008/035	M8x35 Hex Head Bolt	8	
157	56825/9	Backing Plate (for flights)	132	
158	56825/10	Backing Plate (4 hole tapped)	4	
159				
	12527	Roller Assembly Consists Of:		
160	0000300504	Felt Seal	1	
161	12522	Spindle	1	
162	6005RS	Bearing	2	
163	PH407	Seal	1	
164	PH408	Seal	1	
165	PH51AR	Flanged Roller	1	
166	PS843	Circlip	2	
	64657 & 64657B	Soft Drop Web Assy Consists Of:		
170	-	Web Belt	2	
171	-	Flight	66	
172	-	Ø10 Web Bar	199	
173	-	Backing Plate	262	
174	-			
175	-	Male Joiner	2	Assy 64657 only
176	-	Female Joiner	2	Assy 64657B only
177	-	Collared Bush	4	
178	-	Plain Bush	2	
179	-	PVC Sheet (with alligator clip)	1	
	-	PVC Sheet (without alligator clip)	1	
180				
181	-	Ø8 Locking Collar	2	
182	-	Ø8 Joining Rod	1	

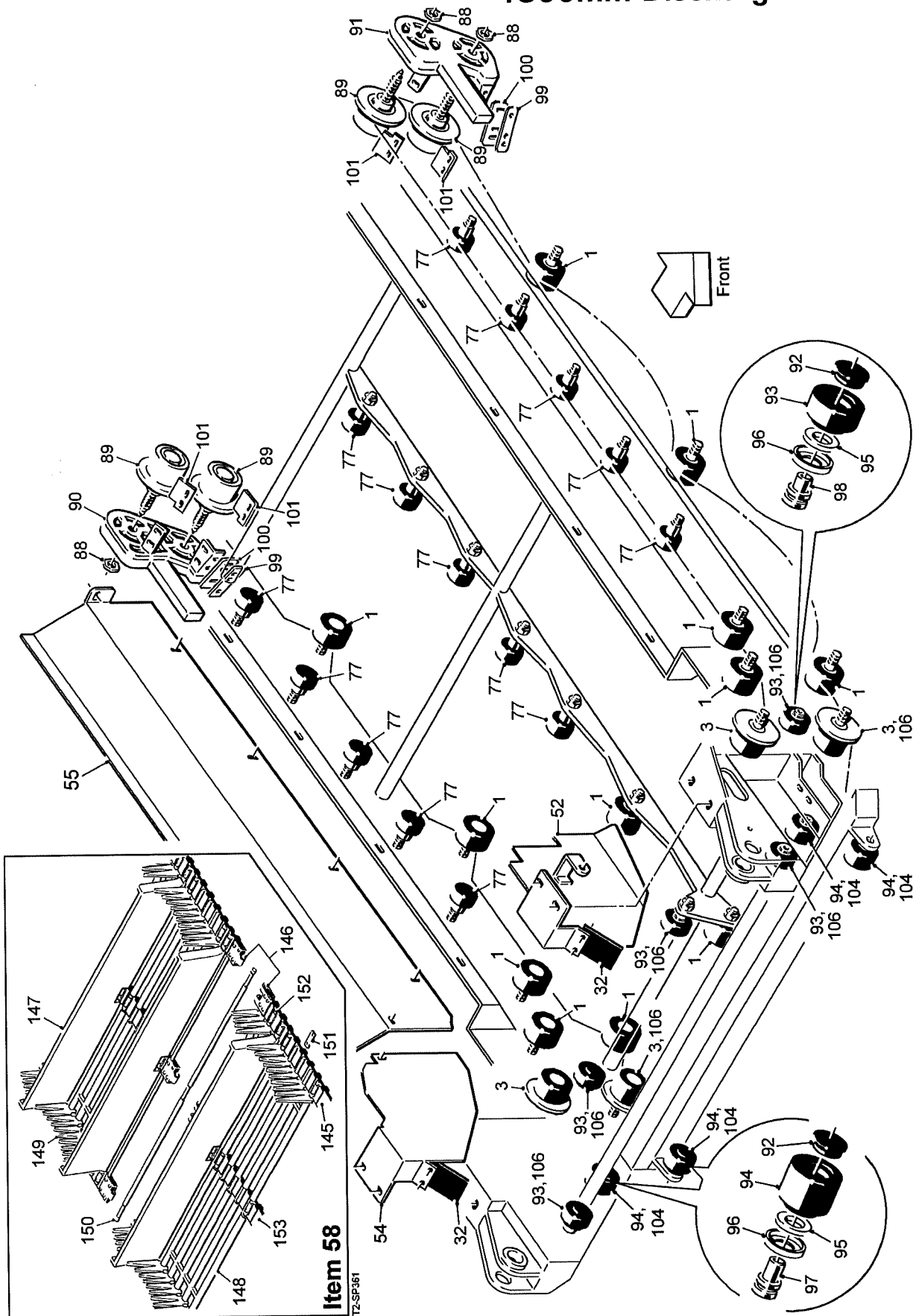
Machines from 2021

1300mm Discharge Elevator



Machines from 2021

1300mm Discharge Elevator



Machines from 2021

1300mm Discharge Elevator

Item	Part No.	Description	Qty.	Remarks
1	19356	Roller Assembly	15	(see list at end)
2				
3	12506	Roller Assembly	22	(see list at end)
4				
5	32037/1	Proximity Sensor	1	
6	32719	Roller Assembly	2	(see list at end)
7	47083	Roller Assembly	2	(see list at end)
8				
9	46196	Pivot Retainer	4	
10	46379	Nylon Bush	4	
11	46855RP	Hydraulic Motor (rear port)	1	
12				
13	64714	Hydraulic Ram	2	
14				
15	56256	Hydraulic Ram	2	
16	56591	Top Pivot Plate	2	
17	56641	Gearbox Assembly	1	
18	59679	Reaction Plate	1	
19	56884	Drive Sprocket	2	
19a	56885	Centre Drive Sprocket	1	
20	59680	Bush	1	
21	59151	Sensor Disc	1	
22	59228W	Elevator Centre Frame (1300mm)	1	Standard frame
	59228WL	Elevator Centre Frame (1300mm)	1	800mm longer frame
23	64179W	Elevator Top Section (1300mm)	1	
24	59791	Drive Shaft	1	
25	59244A	Roller Bracket	2	
26	59313	Sensor Guard	1	
27	59786	Tie Bar	1	
28	59788	Tie Bar	1	
29	59364	Sensor Bracket	1	
30	59415	Front Deflector	1	
31				
32	59436	Rubber Flap	2	
33				
34	65010	Pivot Pin (short)	1	
35	65010A	Pivot Pin (long)	1	
36				
37				
38	59658	Bottom Pivot Plate	1	
39	59659	Bottom Pivot Plate	1	
40	59573	Panel Mounting Bracket (short)	12	
41	59573A	Front Panel Mounting Bracket	1	
42	59573B	Rear Panel Mounting Bracket	1	Not used with windrowkit
43	59574	Panel Mounting Bracket (long)	4	
44	59575	Rear Lower Side Panel	1	Standard centre frame
	59984	Rear Side Panel Half (bottom)	1	800mm longer centre frame
	59986	Rear Side Panel Half (top)	1	800mm longer centre frame
45	59576	Rear Middle Side Panel	1	
46	59577	Rear Top Side Panel	1	Not used with windrowkit
47	59578	Front Lower Side Panel	1	Standard centre frame
	59983	Front Side Panel Half (bottom)	1	800mm longer centre frame
	59985	Front Side Panel Half (top)	1	800mm longer centre frame
48	59579	Front Middle Side Panel	1	
49	59580	Front Top Side Panel	1	

Machines from 2021

1300mm Discharge Elevator

Item	Part No.	Description	Qty.	Remarks
50	59782	Elevator Cover (1300mm)	1	
51	59790	Cover Support	5	
52	64529	Front Elevator Web Side	1	
	59668D	Front Elevator Web Side	1	Used with roller table
53				
54	59669C	Rear Elevator Web Side	1	Used with spreader web
	64530	Rear Elevator Web Side	1	Used with picking table
55	64462	Rear Deflector	1	Used with spreader web only
56				
57				
58	59756	Standard Web Assy (1300mm)	1	Option (see list at end)
	59756B	Long Web Assembly (1300mm)	1	Option (see list at end)
59				
60				
61				
62	60370	1/4"BSP Breather	1	
63	64933	Elevator Support	2	
64				
65				
66				
67	64180	Guard Rail	2	
68	64257	Roller Assembly	4	(see list at end)
69				
70	68038	Pivot Pin	2	
71				
72				
73				
74	11124	1/2"BSP Dowty Seal	1	
75	12378	1/4"BSP M F Swept 90°Adaptor	2	
76				
77	0000301600	Roller Assembly	33	(see list at end)
78				
79	JK63720/5	Sensor Cable (15m)	1	
80				
81	HER09681A	Taperlock Bush	3	
82				
83	PS488M	Ø25 Stop Coller	12	
84	PS843	Ø25 External Circlip	2	
85				
86				
87	RAY35	Bearing	2	
88	RPGM002.00066	Locking Washer	4	
89	RPA510.309022	Roller Assembly	4	(see list at end)
90	RPA610.308647	Roller Mounting	1	
91	RPA610.308648	Roller Mounting	1	
92	RPC620.303070	Cap	7	
93	RPC700.300227	Ø75 Roller c/w Bearing	5	
94	RPC700.300148	Ø75 Roller c/w Bearings	4	
95	RPGM070.00446	Felt Seal	7	
96	RPGM089.00565	Roller Shield	7	
97	RPM180.303071	Roller Bush	4	
98	RPM180.300308	Roller Spindle	3	
99	RPM256.300133	Clamp Strip	2	
100	RPW240.300992	Perspex Scraper	2	

T2 SPARE PARTS**10.6d**

Machines from 2021

1300mm Discharge Elevator

Item	Part No.	Description	Qty.	Remarks
101	RPW240.310380	Scraper	4	
102	SS050026/002	Steel Spacer	4	
103	SS030026/005	Steel Spacer	a/r	
104	RPM176.306319	Steel Spacer (10mm)	a/r	
105	SS030026/072	Steel Spacer	2	
106	SS030017/025	Steel Spacer	6	
	0000301600	Roller Assembly Consists Of:		
107	0000301601	Roller	1	
108	0000301602	Spindle	1	
109	6204RS	Bearing	1	
110	12298	Circlip	1	
	19356	Roller Assembly Consists Of:		
111	0000300504	Felt Seal	1	
112	11265	Spindle	1	
113	6005RS	Bearing	2	
114	PH407	Seal	1	
115	PH408	Seal	1	
116	PH77AR	Plain Roller	1	
117	PS843	Circlip	2	
	47083	Roller Assembly Consists Of:		
118	0000300504	Felt Seal	2	
119	47141	Roller Spindle	1	
120	6005RS	Bearing	2	
121	PH408	Seal	2	
121a	PH51AR	Flanged Roller	1	
121b	PS843	Circlip	2	
	12506	Roller Assembly Consists Of:		
122	0000300504	Felt Seal	1	
123	11265	Spindle	1	
124	6005RS	Bearing	2	
125	PH407	Seal	1	
126	PH408	Seal	1	
127	PH51AR	Flanged Roller	1	
128	PS843	Circlip	2	
	RPA510.309022	Roller Assembly Consists Of:		
129	12298	Circlip	1	
130	6204	Bearing	2	
131	RPC648.061000	M6 Straight Grease Nipple	1	
132	RPGM060.00416	Spacer	1	
133	RPM156.300677	Flanged Roller	1	
134	RPM180.309021	Spindle	1	
135	RPS210.002042	Metal Seal	2	
136	W0113	Circlip	1	
	32719	Roller Assembly Consists Of:		
137	0000300504	Felt Seal	2	
138	6005RS	Bearing	2	
139	PH408	Seal	2	
140	PH77AR	Plain Roller	1	

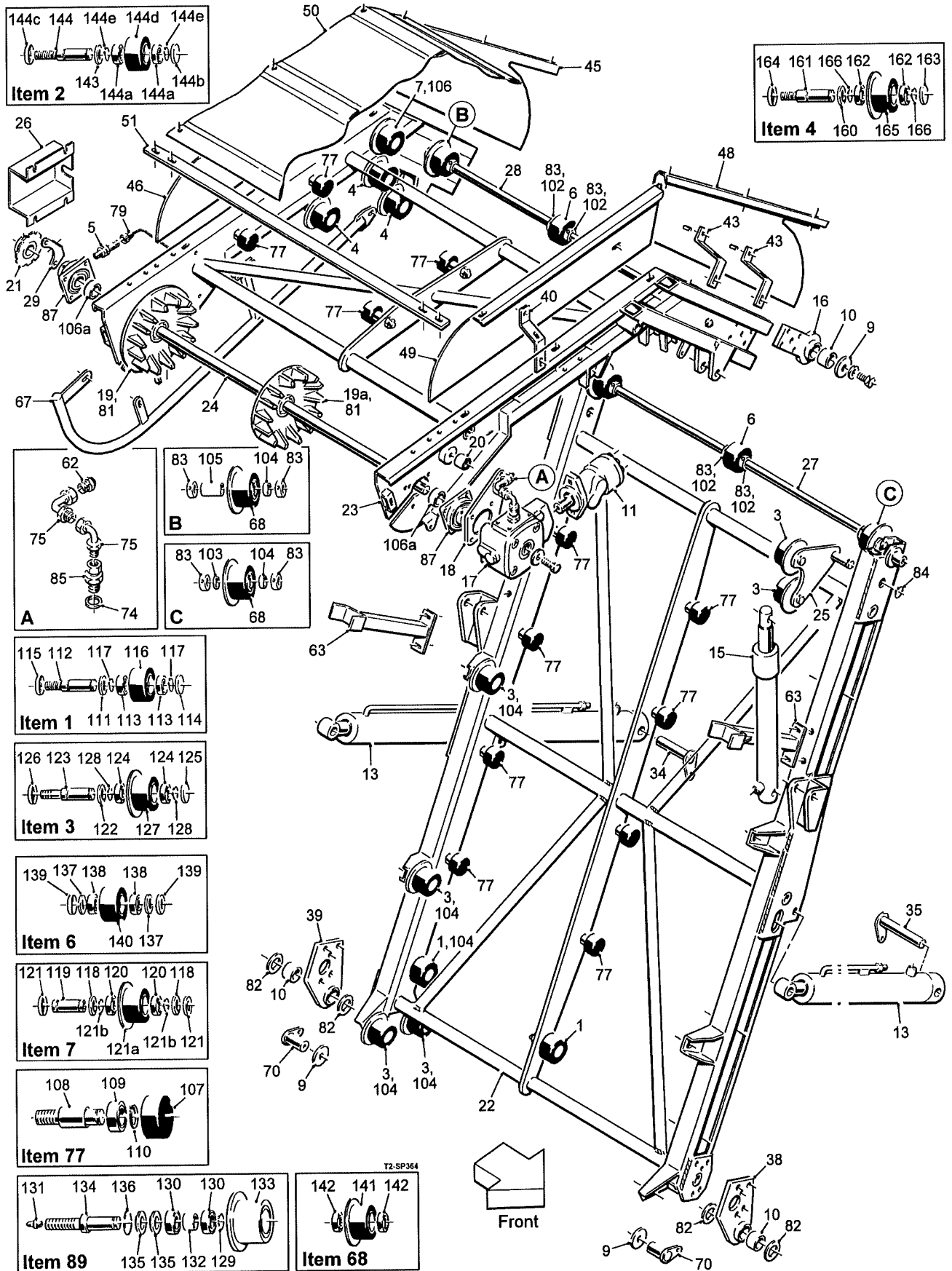
Machines from 2021

1300mm Discharge Elevator

Item	Part No.	Description	Qty.	Remarks
141	64257 PH51AR	Roller Assembly Consists Of: Flanged Roller	2	
142	6005RS	Bearing	2	
<hr/>				
	59756	Standard Web Assembly Consists Of:		
145	59756/1	Web Belt	3	
146	56825/2	Joiner Set	3	
147	56825/3	Flight Moulding	66	
148	56825/4A	Web Bar Moulding	66	
149	56825/5	Side Finger Moulding	132	
150	56825/6	Joining Rod	1	
151	-	Backing Plate	a/r	
152	-	Rivet	a/r	
153	-	Centre Belt	1	
<hr/>				
	59756B	Long Web Assembly Consists Of:		
145	-	Web Belt	3	
146	56825/2	Joiner Set	3	
147	56825/3	Flight Moulding	73	
148	56825/4A	Web Bar Moulding	73	
149	56825/5	Side Finger Moulding	146	
150	56825/6	Joining Rod	1	
151	-	Backing Plate	a/r	
152	-	Rivet	a/r	
153	-	Centre Belt	1	

Machines from Serial No T2-264

1300mm Discharge Elevator

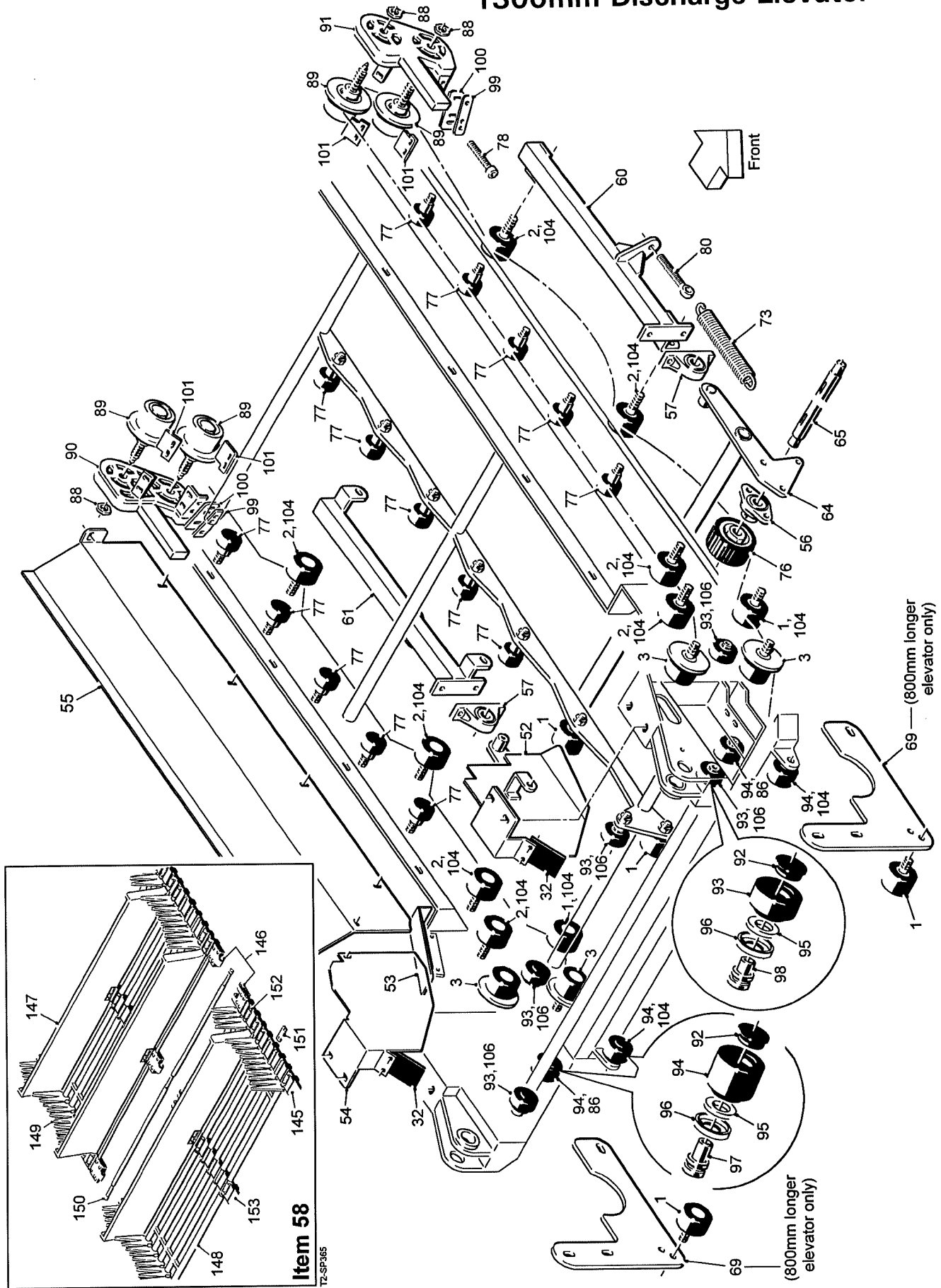


10.6a

T2 SPARE PARTS

Machines from Serial No T2-264

1300mm Discharge Elevator



T2 SPARE PARTS**10.6b**

Machines from Serial No T2-264

1300mm Discharge Elevator

Item	Part No.	Description	Qty.	Remarks
1	19356	Roller Assembly	7	(see list at end)
2	11568	Roller Assembly	8	(see list at end)
3	12506	Roller Assembly	16	(see list at end)
4	12527	Roller Assembly	6	(see list at end)
5	32037/1	Proximity Sensor	1	
6	32719	Roller Assembly	2	(see list at end)
7	47083	Roller Assembly	2	(see list at end)
8				
9	46196	Pivot Retainer	4	
10	46379	Nylon Bush	4	
11	46855RP	Hydraulic Motor (rear port)	1	
12				
13	64714	Hydraulic Ram	2	
14				
15	56256	Hydraulic Ram	2	
16	56591	Top Pivot Plate	2	
17	56641	Gearbox Assembly	1	
18	59679	Reaction Plate	1	
19	56884	Drive Sprocket	2	
19a	56885	Centre Drive Sprocket	1	
20	59680	Bush	1	
21	59151	Sensor Disc	1	
22	64961W	Elevator Centre Frame (1300mm)	1	Standard elevator
	59228WL	Elevator Centre Frame (1300mm)	1	800mm longer elevator
23	64179W	Elevator Top Section (1300mm)	1	
24	70101A	Drive Shaft (for 4 hole bearing)	1	Prior to 2022 was 59791
25	59244A	Roller Bracket	2	
26	59313	Sensor Guard	1	
27	59786	Tie Bar	1	
28	59788	Tie Bar	1	
29	70102	Sensor Bracket (for 4 hole bearing)	1	Prior to 2022 was 59364
30	59415	Front Deflector	1	
31				
32	59436	Rubber Flap	2	
33				
34	65010	Pivot Pin (short)	1	
35	65010A	Pivot Pin (long)	1	
36				
37				
38	59658	Bottom Pivot Plate	1	Standard elevator
	59658A	Bottom Pivot Plate	1	800mm longer elevator
39	59659	Bottom Pivot Plate	1	Standard elevator
	59659A	Bottom Pivot Plate	1	800mm longer elevator
40	59573	Panel Mounting Bracket (short)	4	
41				
42				
43	59574	Panel Mounting Bracket (long)	4	
44				
45	59576	Rear Middle Side Panel	1	
46	59577	Rear Top Side Panel	1	
47				
48	59579	Front Middle Side Panel	1	
49	59580	Front Top Side Panel	1	

10.6c**T2 SPARE PARTS**

Machines from Serial No T2-264

1300mm Discharge Elevator

Item	Part No.	Description	Qty.	Remarks
50	59782	Elevator Cover (1300mm)	1	
51	59790	Cover Support	5	
52	64529	Front Elevator Web Side	1	
	59668D	Front Elevator Web Side	1	Used with roller table
53	70077	Roller Shield	1	
54	59669C	Rear Elevator Web Side	1	Used with spreader web
	64530	Rear Elevator Web Side	1	Used with picking table
55	64462	Rear Deflector	1	Used with spreader web only
56	SFT30	Ø30 Bearing	2	
57	SL30A	Ø30 Bearing	2	
58	59756	Standard Web Assy (1300mm)	1	Option (see list at end)
	59756B	Long Web Assembly (1300mm)	1	Option (see list at end)
59				
60	64915	Tension Roller Bracket Front	1	
61	64916	Tension Roller Bracket Rear	1	
62	60370	1/4"BSP Breather	1	
63	64933	Elevator Support	2	
64	64917A	Tension Roller Arm	1	
65	64918A	Tension Roller Shaft	1	
66				
67	64180	Guard Rail	2	
68	64257	Roller Assembly	4	(see list at end)
69	70241	Roller Support Plate	2	800mm longer elev only
70	68038	Pivot Pin	2	
71				
72				
73	PS194	Tension Spring	2	
74	11124	1/2"BSP Dowty Seal	1	
75	12378	1/4"BSP M F Swept 90°Adaptor	2	
76	RPC700.301543	Rubber Covered Roller	2	
77	0000301600	Roller Assembly	33	(see list at end)
78	22015016/100	M16x100 Socket Cap Screw	2	
79	JK63720/6	Sensor Cable Straight (20m)	1	
80	RPF120.116125	M16x140 Eye Bolt	2	
81	HERO9681A	Taperlock Bush	3	
82	SS070047/004	Steel Spacer	4	
83	PS488M	Ø25 Stop Coller	12	
84	PS843	Ø25 External Circlip	2	
85				
86	SS030017/015	Steel Spacer	2	
87	SF35	Bearing (4 hole)	2	Prior to 2022 was RAY35
88	RPGM002.00066	Locking Washer	4	
89	RPA510.309022	Roller Assembly	4	(see list at end)
90	RPA610.308647	Roller Mounting	1	
91	RPA610.308648	Roller Mounting	1	
92	RPC620.303070	Cap	7	
93	RPC700.300227	Ø75 Roller c/w Bearing	5	
94	RPC700.300148	Ø75 Roller c/w Bearings	4	
95	RPGM070.00446	Felt Seal	7	
96	RPGM089.00565	Roller Shield	7	
97	RPM180.303071	Roller Bush	4	
98	RPM180.300308	Roller Spindle	3	
99	RPM256.300133	Clamp Strip	2	
100	RPW240.300992	Perspex Scraper	2	

T2 SPARE PARTS**10.6d**

Machines from Serial No T2-264

1300mm Discharge Elevator

Item	Part No.	Description	Qty.	Remarks
101	RPW240.310380	Scraper	4	
102	SS050026/002	Steel Spacer	4	
103	SS030026/005	Steel Spacer	a/r	
104	RPM176.306319	Steel Spacer (10mm)	a/r	
105	SS030026/072	Steel Spacer	2	
106	SS030017/025	Steel Spacer	6	
106a	SS040036/025	Steel Spacer	2	
	0000301600	Roller Assembly Consists Of:		
107	0000301601	Roller	1	
108	0000301602	Spindle	1	
109	6204RS	Bearing	1	
110	12298	Circlip	1	
	19356	Roller Assembly Consists Of:		
111	0000300504	Felt Seal	1	
112	11265	Spindle	1	
113	6005RS	Bearing	2	
114	PH407	Seal	1	
115	PH408	Seal	1	
116	PH77AR	Plain Roller	1	
117	PS843	Circlip	2	
	47083	Roller Assembly Consists Of:		
118	0000300504	Felt Seal	2	
119	47141	Roller Spindle	1	
120	6005RS	Bearing	2	
121	PH408	Seal	2	
121a	PH51AR	Flanged Roller	1	
121b	PS843	Circlip	2	
	12506	Roller Assembly Consists Of:		
122	0000300504	Felt Seal	1	
123	11265	Spindle	1	
124	6005RS	Bearing	2	
125	PH407	Seal	1	
126	PH408	Seal	1	
127	PH51AR	Flanged Roller	1	
128	PS843	Circlip	2	
	RPA510.309022	Roller Assembly Consists Of:		
129	12298	Circlip	1	
130	6204	Bearing	2	
131	RPC648.061000	M6 Straight Grease Nipple	1	
132	64669	Spacer	1	Was RPGM060.00416
133	RPM156.300677	Flanged Roller	1	
134	RPM180.309021	Spindle	1	
135	RPS210.002042	Metal Seal	2	
136	W0113	Circlip	1	
	32719	Roller Assembly Consists Of:		
137	0000300504	Felt Seal	2	
138	6005RS	Bearing	2	
139	PH408	Seal	2	
140	PH77AR	Plain Roller	1	

10.6e

T2 SPARE PARTS

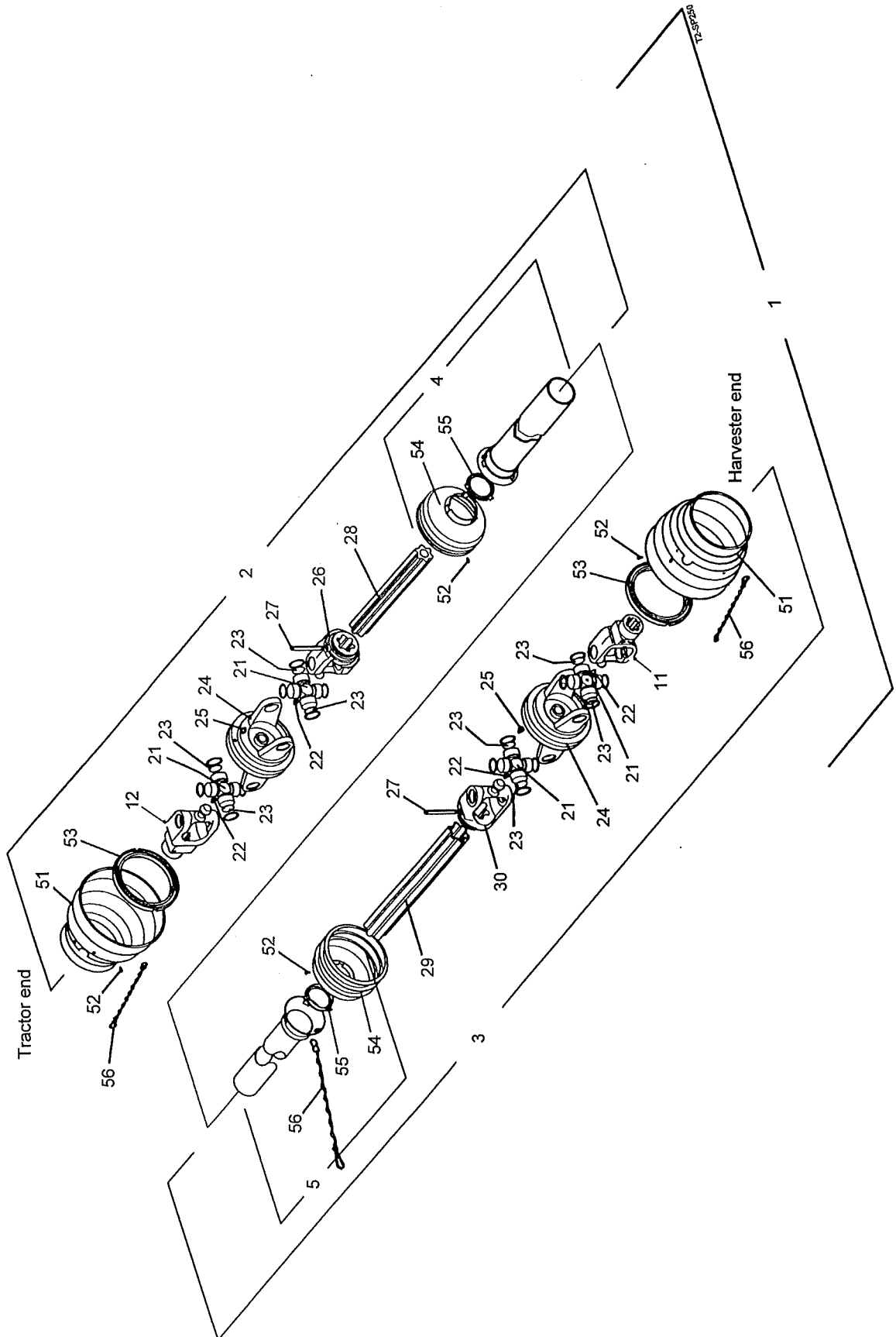
Machines from Serial No T2-264

1300mm Discharge Elevator

Item	Part No.	Description	Qty.	Remarks
141	64257 PH51AR	Roller Assembly Consists Of: Flanged Roller	2	
142	6005RS	Bearing	2	
143	11568 0000300504	Roller Assembly Consists Of: Felt Seal	1	
144	PH406AM	Spindle	1	
144a	6005RS	Bearing	2	
144b	PH407	Seal	1	
144c	PH408	Seal	1	
144d	PH77AR	Plain Roller	1	
144e	PS843	Circlip	2	
145	59756 59756/1	Standard Web Assembly Consists Of: Web Belt	3	
146	56825/2	Joiner Set	3	
147	56825/3	Flight Moulding	66	
148	56825/4A	Web Bar Moulding	66	
149	56825/5	Side Finger Moulding	132	
150	56825/6	Joining Rod	1	
151	-	Backing Plate	a/r	
152	-	Rivet	a/r	
153	-	Centre Belt	1	
145	59756B -	Long Web Assembly Consists Of: Web Belt	3	
146	56825/2	Joiner Set	73	
147	56825/3	Flight Moulding	73	
148	56825/4A	Web Bar Moulding	146	
149	56825/5	Side Finger Moulding	1	
150	56825/6	Joining Rod	a/r	
151	-	Backing Plate	a/r	
152	-	Rivet	1	
153	-	Centre Belt		
160	12527 0000300504	Roller Assembly Consists Of: Felt Seal	1	
161	12522	Spindle	1	
162	6005RS	Bearing	2	
163	PH407	Seal	1	
164	PH408	Seal	1	
165	PH51AR	Flanged Roller	1	
166	PS843	Circlip	2	

Machines from 2021

PTO Shaft Assembly



Machines from 2021

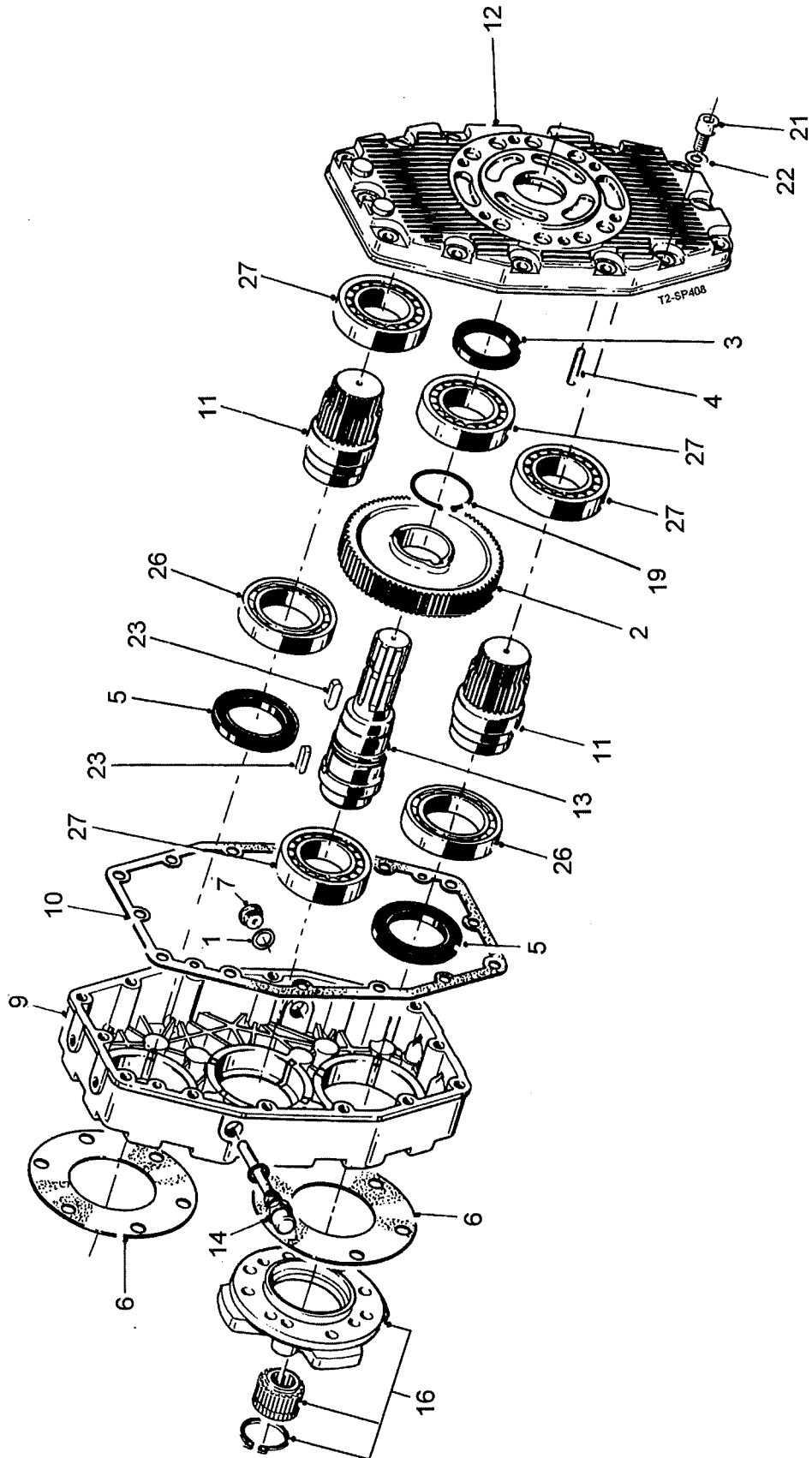
PTO Shaft Assembly

Item	Part No.	Description	Qty.	Remarks
1	RPT895.308607	Wide Angle PTO Shaft c/w Guard	1	1 3/8" 6-spline tractor end
	RPT895.308607-21	Wide Angle PTO Shaft c/w Guard	1	1 3/8" 21-spline tractor end
	-	Wide Angle PTO Shaft c/w Guard	1	1 3/4" 20-spline tractor end
2	-	Inner PTO Shaft c/w Guard	1	
3	-	Outer PTO Shaft c/w Guard	1	
4	RPT845.202000	PTO Guard Outer	1	
5	RPT845.201000	PTO Guard Inner	1	
6				
7				
8				
9				
10				
11	RPT895.308607/3A	1 3/8" 6 Spline Collar Release Yoke	1	
12	RPT895.308607/3A	1 3/8" 6-Spline Collar Release Yoke	1	
	RPT895.308607/5A	1 3/8" 21-Spline Collar Release Yoke	1	
	RPT895.308607/2A	1 3/4" 20-Spline Collar Release Yoke	1	
21	RPT813.060000	Universal Bearing Complete	4	
22	RPC829.270000	Grease Nipple	4	
23	RPT813.067000	Spacer Plate	8	
24	RPT813.410500	Double Yoke c/w Greaser	2	
25	RPT829.120100	Grease Nipple	2	
26	RPT813.131040	Inner Profile Shaft Yoke	1	
27	RPF200.100090	Roll Pin	2	
28	RPT840.440100	Inner Star Profile Shaft	1	
29	RPT840.450100	Outer Star Profile Shaft	1	
30	RPT813.141160	Outer Profile Tube Yoke	1	
51	RPT845.000300	Guard Cone	2	
52	RPT826.150000	Screw	14	
53	RPT842.831500	Bearing Ring	2	
54	RPT845.251200	Guard Cone	2	
55	RPT842.830400	Bearing Ring	2	
56	RPT842.360300	Safety Chain	3	

Machines from 2021

Front Gearbox Assemblies

1000 rpm PTO - Assy No 56108
540 rpm PTO - Assy No 59110



11.2a**T2 SPARE PARTS**

Machines from 2021

Front Gearbox Assemblies

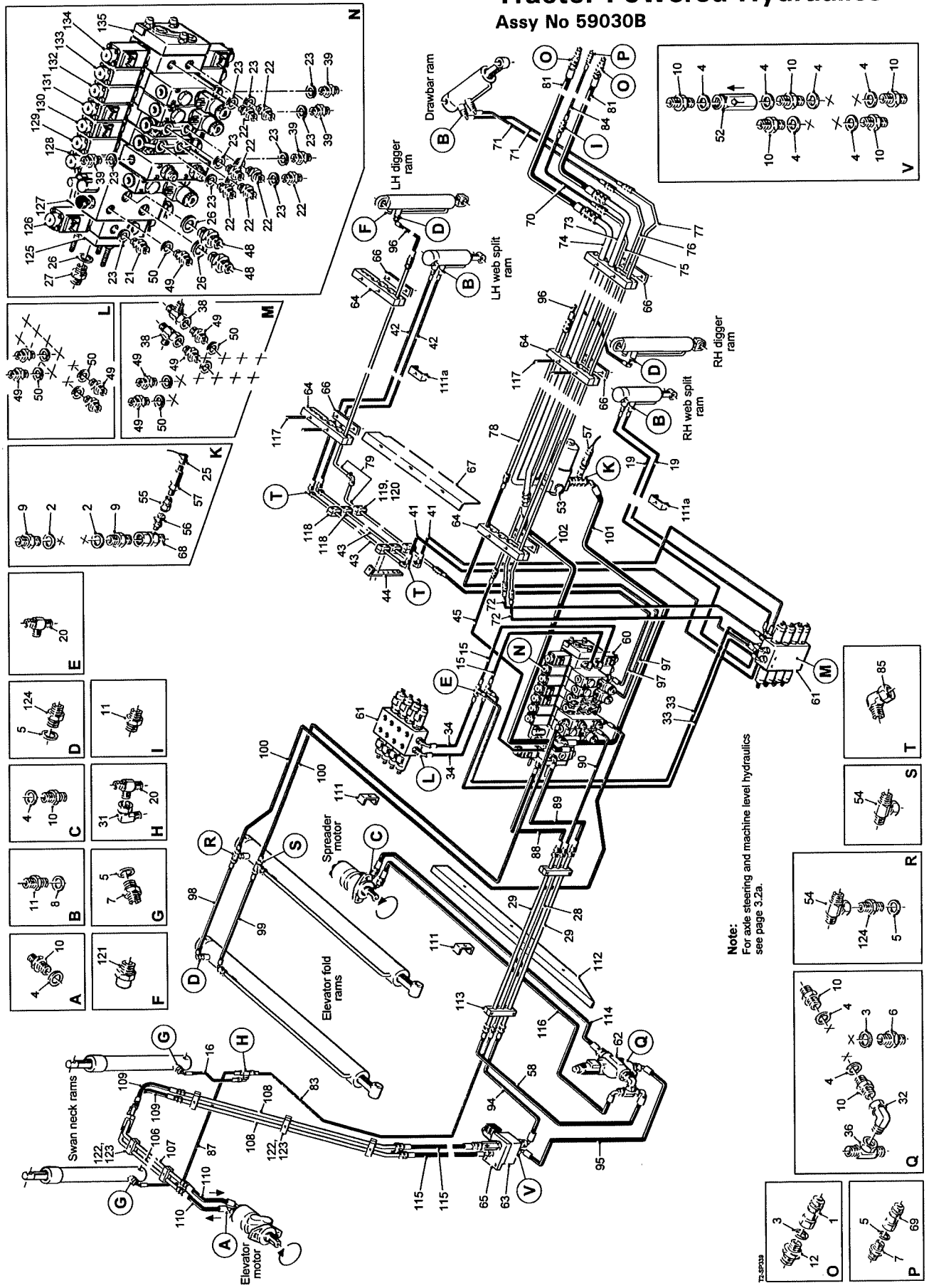
1000 rpm PTO - Assy No 56108

540 rpm PTO - Assy No 59110

Item	Part No.	Description	Qty.	Remarks
1	46336/5	3/8"Gasket	1	
2	56108/1	Crown Wheel (1:2.6)	1	1000 rpm PTO only
	46336/7	Crown Wheel (1:3.8)	1	540 rpm PTO only
3	46336/8	Input Shaft Seal	1	
4	46336/12	Locating Pin	2	
5	46336/14	Shaft Seal (60x85x10)	2	
6	46336/15	Pump Flange Gasket	2	
7	46336/16	3/8"Magnetic Drain Plug	1	
8				
9	46337/1	Front Cover	1	
10	46337/2	Paper Gasket	1	
11	56108/2	Pinion (1:2.6)	2	1000 rpm PTO only
	46337/3	Pinion (1:3.8)	2	540 rpm PTO only
12	46337/4	Rear Cover	1	
13	46337/5	Male Shaft (1 3/8" DIN 9611)	1	
14	46337/6	Dipstick	1	
15				
16	46417	Flange Adaptor Kit Complete	2	
	46418	24T/14T Spline Adaptor only	2	DO NOT USE 46339
	33130/16	Circlip only	2	
17				
18				
19	46563	External Circlip	1	
20				
21	22015010/050	M10x50mm Bolt	14	
22	22052010	M10 Washer	14	
23	22062010/035	Key (10x8x35)	2	
24				
25				
26	6012	Bearing (60x95x18)	2	
27	NJ210	Bearing (50x90x20)	4	

Machines from 2021

Tractor Powered Hydraulics Assy No 59030B



11.3a**T2 SPARE PARTS**

Machines from 2021

Tractor Powered Hydraulics

Assy No 59030B

Item	Part No.	Description	Qty.	Remarks
1	11108A	3/4"BSP Probe	2	
2	11122	1"BSP Dowty Seal	2	
3	11123	3/4"BSP Dowty Seal	5	
4	11124	1/2"BSP Dowty Seal	11	
5	11125	3/8"BSP Dowty Seal	7	
6	11295	1/2"BSPx3/4"BSP M M Adaptor	1	
7	11336	1/4"BSPx3/8"BSP M M Adaptor	5	
8	11337	1/4"BSP Dowty Seal	16	
9	11114	1"BSP M M Adaptor	2	
10	12315	1/2"BSP M M Adaptor	13	
11	12316	1/4"BSP M M Adaptor	17	
12	12560	3/4"BSPx1"BSP M M Adaptor	2	
13				
14				
15	13187	1/4"Hose Assembly (700mm)	2	
16	13188	1/4"Hose Assembly (1000mm)	1	
17				
18				
19	27447	1/4"Hose Assembly (2000mm)	2	
20	27449	1/4"BSP M M M Tee	6	
21	27459	M18x1/2"BSP M M Adaptor	1	
22	27460	M18x1/4"BSP M M Adaptor	7	
23	27461	M18 Dowty Seal	12	
24				
25	32037/2	90°Sensor Cable (5m)	1	
26	31167	M22 Dowty Seal	3	
27	31168	M22x1/2"BSP M M Adaptor	1	
28	60892	Ø10 Steel Pipe Assembly	1	
29	60893	Ø15mm Steel Pipe Assembly	2	
30				
31	32474	1/4"BSP MF Compact 90°Adaptor	1	
32	32475	1/2"BSP MF Compact 90°Adaptor	2	
33	32577	1/4"Hose Assembly (1250mm)	2	
34	32890	1/4"Hose Assembly (1500mm)	2	
35				
36	37172	1/2"BSP M M F Tee	1	
37	37199	1/4"BSP M M F Tee	2	
38	37197	1/4"BSP F M M Tee	4	
39	37599	M18x 3/8"BSP M M Adaptor	4	
40				
41	62747	1/4"Hose Assembly (1700mm)	2	
42	62748	1/4"Hose Assembly (3100mm)	2	
43	62749	Ø10 Steel Pipe Assembly	2	
44	62750	Pipe Clamp Support Plate	3	
45	42337	1/4"Hose Assembly (450mm)	1	
46				
47				
48	44204	M22x1"BSP M M Adaptor	2	
49	44207	M14x1/4"BSP M M Adaptor	21	
50	44208	M14 Dowty Seal	21	
51				
52	46807	1/2"BSP In-line Check Valve	1	
53	62979	Pressure Filter Complete	1	Element only 37770/1
54	42344	3/8"BSP M M F Tee	2	
55	46960	Pressure Gauge Adaptor	1	

T2 SPARE PARTS**11.3b**

Machines from 2021

Tractor Powered Hydraulics

Assy No 59030B

Item	Part No.	Description	Qty.	Remarks
56	42305	1/8" BSP Gauge Port	1	
57	51270	Pressure Transmitter	1	
58	60928	1/2" Hose Assembly (1050mm)	1	
59				
60	59103	Valve Bank Assembly	1	(see list at end)
61	59104	Slave Valve	2	
62	59204	Flow Control Valve	1	
63	59215	Motor Valve c/w O'ring	1	
64	62967	Pipe Clamp (10-10-30-30-30-12)	10pair	
65	59280	Valve Base	1	
66	62971	Nylon Clamp Strip	10	
67	62963	Pipe Shield	1	
68	60161	1" BSP M F Gauge Port	1	
69	60166	3/8" BSP Probe	1	
70	60187	1/4" Hose Assembly (900mm)	1	
71	60197	1/4" Hose Assembly (1750mm)	2	
72	60318	1/4" Hose Assembly (1800mm)	2	
73	60886	Ø30 Steel Pipe Assembly	1	
74	60885	Ø30 Steel Pipe Assembly	1	
75	60379	Ø10 Steel Pipe Assembly	1	
76	60388	Ø10 Steel Pipe Assembly	1	
77	60389	Ø10 Steel Pipe Assembly	1	
78	60390	Ø12 Steel Pipe Assembly	1	
79	60391	Ø12 Steel Pipe Assembly	1	
80				
81	60671	1" Hose Assembly (3000mm)	2	
82				
83	60929	1/4" Hose Assembly (2650mm)	1	
84	60408	1/4" Hose Assembly (2350mm)	1	
85	60633	L10 MF Elbow	4	
86				
87	60412	1/4" Hose Assembly (2340mm)	1	
88	60925	1/2" Hose Assembly (1900mm)	1	
89	32887	1/2" Hose Assembly (2000mm)	1	
90	60413	1/4" Hose Assembly (2050mm)		
91				
92				
93				
94	60357	1/2" Hose Assembly (750mm)	1	
95	60927	1/2" Hose Assembly (750mm)	1	
96	60439	3/8" Hose Assembly (1050mm)	2	
97	60440	3/8" Hose Assembly (1200mm)	2	
98	60744	3/8" Hose Assembly (1300mm)	1	
99	60894	3/8" Hose Assembly (1250mm)	1	
100	60926	3/8" Hose Assembly (7000mm)	2	
101	60887	1" Hose Assembly (850mm)	1	
102	60190	1" Hose Assembly (850mm)	1	
103				
104				
105				
106	60522	Ø15 Steel Pipe Assembly	1	
107	60523	Ø15 Steel Pipe Assembly	1	
108	60524	Ø15 Steel Pipe Assembly	2	
109	60535	1/2" Hose Assembly (1300mm)	2	

Machines from 2021

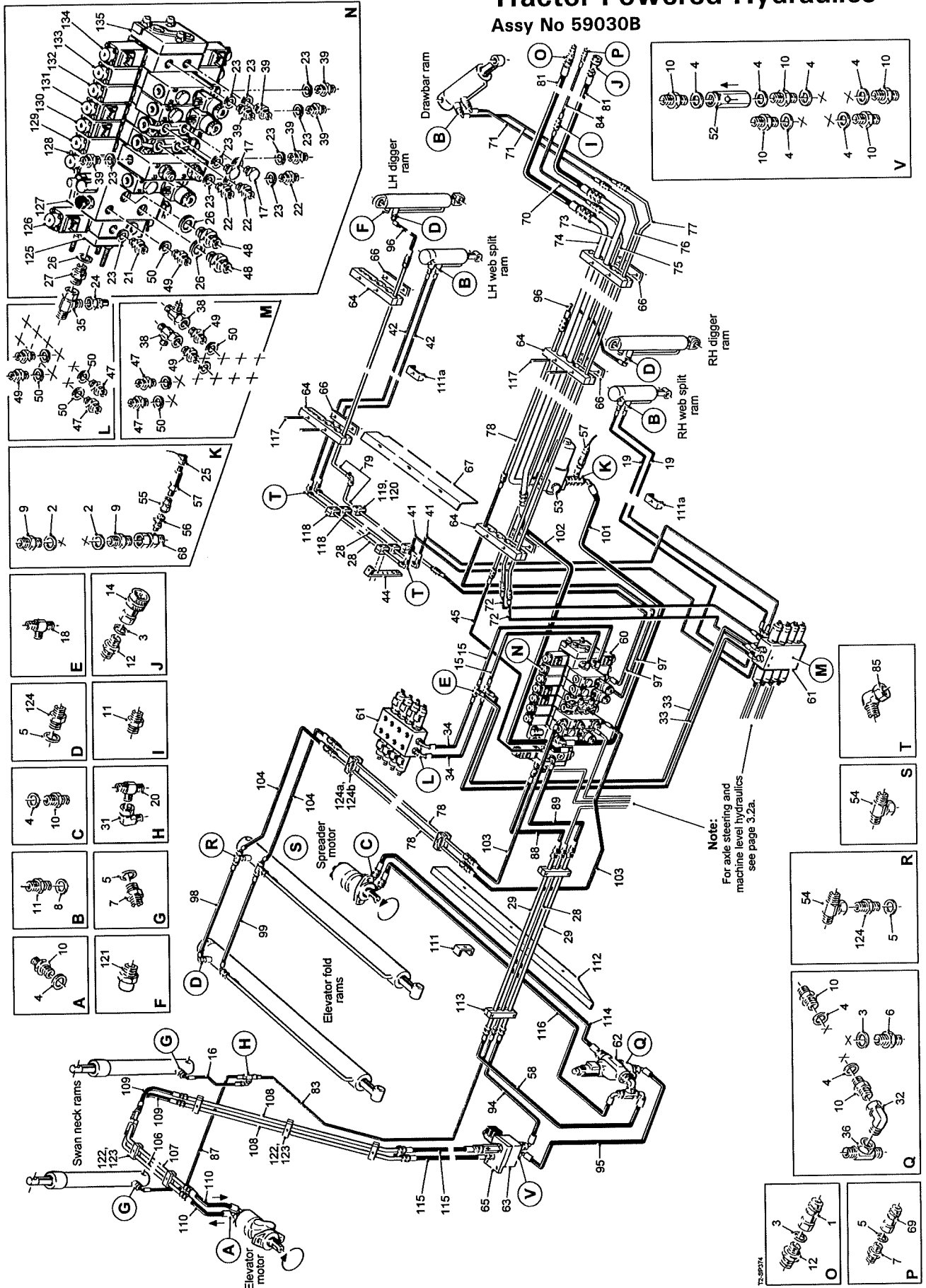
Tractor Powered Hydraulics

Assy No 59030B

Item	Part No.	Description	Qty.	Remarks
110	60373	1/2"Hose Assembly (450mm)	2	
111	59295	Hose Clamp (2 pipe)	6	
111a	62401	Hose Clamp (2 pipe)	6	
112	64726	Cross Conveyor Pipe Shield	1	
113	64870	Pipe Clamp (15-10-15)	2 pairs	
114	*****	1/2"Hose Assembly (****mm)	1	Not used on inline
115	60537	1/2"Hose Assembly (2350mm)	2	
116	*****	1/2"Hose Assembly (****mm)	1	Not used on inline
117	22106008/065	M8x65 Clamp Stud	20	
118	RPS466	Ø10 Pipe Clamp Complete	6	
119	RPC654.309025	Pipe Clamp Top Plate	5	
120	RPC654.309026	Pipe Clamp	5	
121	RPP500.202000	1/8"BSP Breather	2	
122	RPC654.308052	Pipe Clamp Top Plate	5	
123	RPC654.309125	Clamp Plate	5	
124	UC31A	3/8"BSP M M Adaptor	4	
	59103	Valve Bank Assembly Consists Of:		
125	46285/6	End Plate	1	
126	51027/1	'Elevator Motor' Section Complete	1	
	59103/4	Solenoid Only	2	
127	46285/4	Inlet Section Complete	1	
128	51028/1	'Swan Neck' Section Complete	1	
	59103/4	Solenoid Only	2	
	51028/4B	Check Solenoid Only	1	
129	51028/3	'Elevator Fold' Section Complete	1	
	59103/4	Solenoid Only	2	
130	46285/1	'LH Axle Steer' Section Complete	1	
	59103/4	Solenoid Only	2	
131	46285/1	'RH Axle Steer' Section Complete	1	
	59103/4	Solenoid Only	2	
132	51028/1	'LH Digger' Section Complete	1	
	59103/4	Solenoid Only	2	
	51028/4B	Check Solenoid Only	1	
133	51028/1	'RH Digger' Section Complete	1	
	59103/4	Solenoid Only	2	
	51028/4B	Check Solenoid Only	1	
134	46285/10	'Slave Valve' Section Complete	1	
135	46285/7	End Plate	1	

Machines from Serial No T2-264

Tractor Powered Hydraulics Assy No 59030B



11.3a**T2 SPARE PARTS**

Machines from Serial No T2-264

Tractor Powered Hydraulics

Assy No 59030B

Item	Part No.	Description	Qty.	Remarks
1	11108A	3/4"Male Probe	1	
2	11122	1"BSP Dowty Seal	2	
3	11123	3/4"BSP Dowty Seal	5	
4	11124	1/2"BSP Dowty Seal	11	
5	11125	3/8"BSP Dowty Seal	7	
6	11295	1/2"BSPx3/4"BSP M M Adaptor	1	
7	11336	1/4"BSPx3/8"BSP M M Adaptor	5	
8	11337	1/4"BSP Dowty Seal	16	
9	11114	1"BSP M M Adaptor	2	
10	12315	1/2"BSP M M Adaptor	13	
11	12316	1/4"BSP M M Adaptor	17	
12	12560	3/4"BSPx1"BSP M M Adaptor	2	
13				
14	61600	3/4"Quick Release Fem Carrier	1	
15	60168	3/8"Hose Assembly (700mm)	2	
16	13188	1/4"Hose Assembly (1000mm)	1	
17	16454	M18 Blanking Plug	2	
18	23139	3/8"BSP M M M Tee	2	
19	27447	1/4"Hose Assembly (2000mm)	2	
20	27449	1/4"BSP M M M Tee	1	
21	27459	M18x1/2"BSP M M Adaptor	1	
22	27460	M18x1/4"BSP M M Adaptor	3	
23	27461	M18 Dowty Seal	12	
24	31099	1/2"BSPFx1/4"BSPM Swivel Adaptor	1	
25	32037/2	90°Sensor Cable (5m)	1	
26	31167	M22 Dowty Seal	3	
27	31168	M22x1/2"BSP M M Adaptor	1	
28	60892	Ø10 Steel Pipe Assembly	3	
29	60893	Ø15mm Steel Pipe Assembly	2	
30				
31	32474	1/4"BSP MF Compact 90°Adaptor	1	
32	32475	1/2"BSP MF Compact 90°Adaptor	2	
33	60894	3/8"Hose Assembly (1250mm)	2	
34	10306	3/8"Hose Assembly (1500mm)	2	
35	37367	1/2"BSP FMF Tee	1	
36	37172	1/2"BSP M M F Tee	1	
37	37199	1/4"BSP M M F Tee	2	
38	37197	1/4"BSP F M M Tee	4	
39	37599	M18x 3/8"BSP M M Adaptor	6	
40				
41	62747	1/4"Hose Assembly (1700mm)	2	
42	62748	1/4"Hose Assembly (3100mm)	2	
43				
44	62750	Pipe Clamp Support Plate	3	
45	42337	1/4"Hose Assembly (450mm)	1	
46				
47	RPS742	M14x3/8"BSP M M Adaptor	6	
48	44204	M22x1"BSP M M Adaptor	2	
49	44207	M14x1/4"BSP M M Adaptor	15	
50	44208	M14 Dowty Seal	21	
51				
52	46807	1/2"BSP In-line Check Valve	1	
53	62979	Pressure Filter Complete	1	Element only 37770/1
54	42344	3/8"BSP M M F Tee	2	
55	46960	Pressure Gauge Adaptor	1	

T2 SPARE PARTS**11.3b**

Machines from Serial No T2-264

Tractor Powered Hydraulics**Assy No 59030B**

Item	Part No.	Description	Qty.	Remarks
56	42305	1/8"BSP Gauge Port	1	
57	51270	Pressure Transmitter	1	
58	60928	1/2"Hose Assembly (1050mm)	1	
59				
60	59103	Valve Bank Assembly	1	(see list at end)
61	59104	Slave Valve	2	
62	59204	Flow Control Valve	1	
63	59215	Motor Valve c/w O'ring	1	
64	62967	Pipe Clamp (10-10-30-30-30-12)	10pair	
65	59280	Valve Base	1	
66	62971	Nylon Clamp Strip	10	
67	62963	Pipe Shield	1	
68	60161	1"BSP M F Gauge Port	1	
69	60166	3/8"BSP Probe	1	
70	60187	1/4"Hose Assembly (900mm)	1	
71	60197	1/4"Hose Assembly (1750mm)	2	
72	60318	1/4"Hose Assembly (1800mm)	2	
73	60886	Ø30 Steel Pipe Assembly	1	
74	60885	Ø30 Steel Pipe Assembly	1	
75	60379	Ø10 Steel Pipe Assembly	1	
76	60388	Ø10 Steel Pipe Assembly	1	
77	60389	Ø10 Steel Pipe Assembly	1	
78	60390	Ø12 Steel Pipe Assembly	3	
79	60391	Ø12 Steel Pipe Assembly	1	
80				
81	60671	1"Hose Assembly (3000mm)	2	
82				
83	60929	1/4"Hose Assembly (2650mm)	1	
84	60408	1/4"Hose Assembly (2350mm)	1	
85	60633	L10 MF Elbow	4	
86				
87	60412	1/4"Hose Assembly (2340mm)	1	
88	60925	1/2"Hose Assembly (1900mm)	1	
89	32887	1/2"Hose Assembly (2000mm)	1	
90				
91				
92				
93				
94	60357	1/2"Hose Assembly (750mm)	1	
95	60927	1/2"Hose Assembly (750mm)	1	
96	60439	3/8"Hose Assembly (1050mm)	2	
97	60440	3/8"Hose Assembly (1200mm)	2	
98	60744	3/8"Hose Assembly (1300mm)	1	
99	60894	3/8"Hose Assembly (1250mm)	1	
100				
101	60887	1"Hose Assembly (850mm)	1	
102	60190	1"Hose Assembly (850mm)	1	
103	60990	3/8"Hose Assembly (4750mm)	2	
104	60991	3/8"Hose Assembly (950mm)	2	
105				
106	60522	Ø15 Steel Pipe Assembly	1	
107	60523	Ø15 Steel Pipe Assembly	1	
108	60524	Ø15 Steel Pipe Assembly	2	
109	60535	1/2"Hose Assembly (1300mm)	2	

11.3c**T2 SPARE PARTS**

Machines from Serial No T2-264

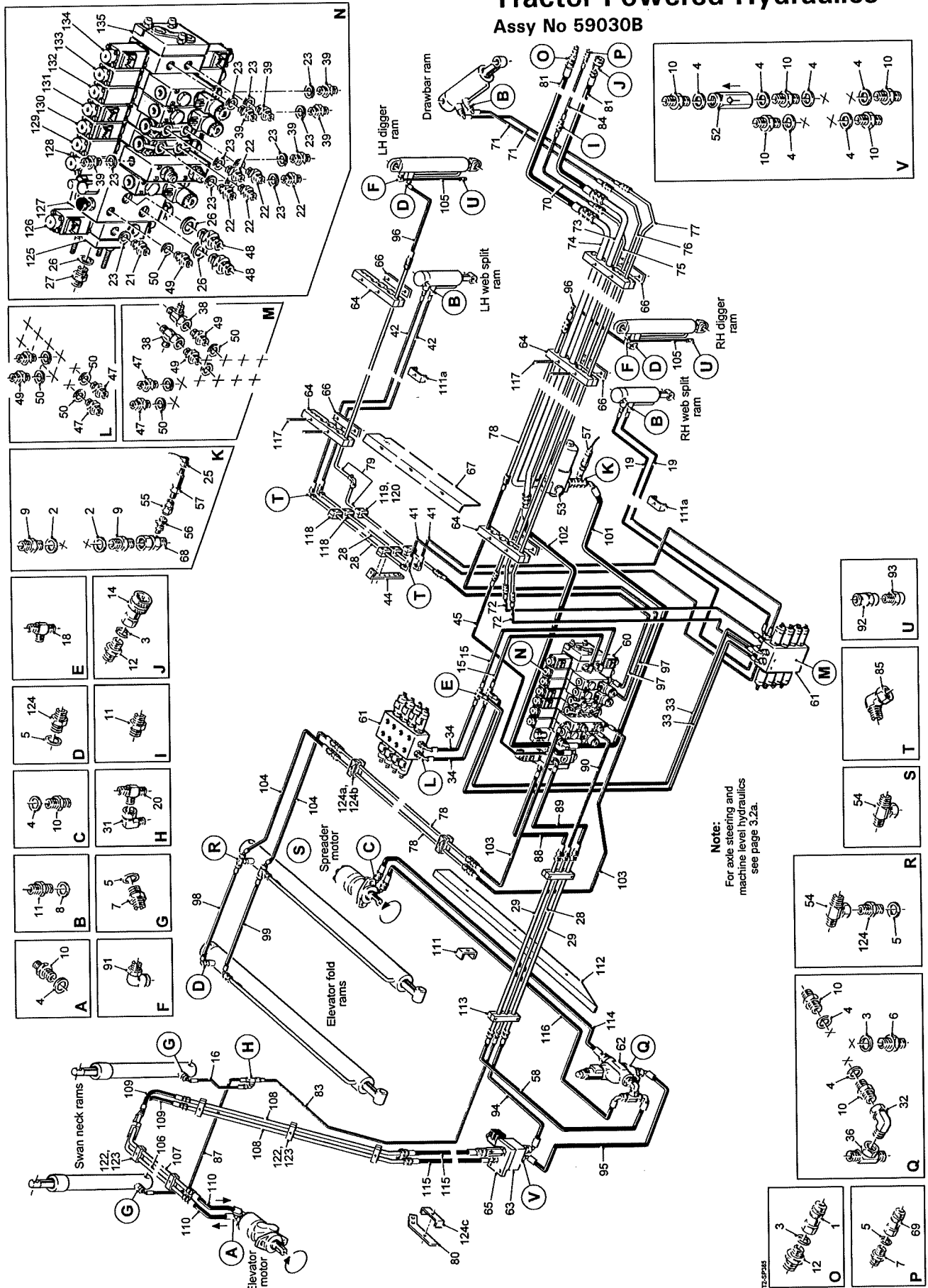
Tractor Powered Hydraulics

Assy No 59030B

Item	Part No.	Description	Qty.	Remarks
110	60373	1/2"Hose Assembly (450mm)	2	
111	59295	Hose Clamp (2 pipe)	3	
111a	62401	Hose Clamp (2 pipe)	6	
112	64726	Cross Conveyor Pipe Shield	1	
113	64870	Pipe Clamp (15-10-15)	2 pair	
114	60695	1/2"Hose Assembly (2400mm)	1	Not used on inline
115	60537	1/2"Hose Assembly (2350mm)	2	
116	42521	1/2"Hose Assembly (2500mm)	1	Not used on inline
117	22106008/065	M8x65 Clamp Stud	20	
118	RPS466	Ø10 Pipe Clamp Complete	6	
119	RPC654.309025	Pipe Clamp Top Plate	5	
120	RPC654.309026	Pipe Clamp	5	
121	RPP500.202000	1/8"BSP Breather	2	
122	RPC654.308052	Pipe Clamp Top Plate	5	
123	RPC654.309125	Clamp Plate	5	
124	UC31A	3/8"BSP M M Adaptor	4	
124a	RPS337	Pipe Clamp (12-12)	2 pair	
124b	RPS337/1	Clamp Plate	2	
	59103	Valve Bank Assembly Consists Of:		
125	46285/6	End Plate	1	
126	51027/1	'Elevator Motor' Section Complete	1	
	59103/4	Solenoid Only	2	
127	46285/4	Inlet Section Complete	1	
128	51028/1	'Swan Neck' Section Complete	1	
	59103/4	Solenoid Only	2	
	51028/4B	Check Solenoid Only	1	
129	51028/3	'Elevator Fold' Section Complete	1	
	59103/4	Solenoid Only	2	
130	46285/1	'Axle Steer' Section Complete	1	
	59103/4	Solenoid Only	2	
131	46285/1	'Spare' Section Complete	1	
	59103/4	Solenoid Only	2	
132	51028/1	'LH Digger' Section Complete	1	
	59103/4	Solenoid Only	2	
	51028/4B	Check Solenoid Only	1	
133	51028/1	'RH Digger' Section Complete	1	
	59103/4	Solenoid Only	2	
	51028/4B	Check Solenoid Only	1	
134	46285/10	'Slave Valve' Section Complete	1	
135	46285/7	End Plate	1	

Machines from Serial No T2-273

Tractor Powered Hydraulics Assy No 59030B



11.3a**T2 SPARE PARTS**

Machines from Serial No T2-273

Tractor Powered Hydraulics

Assy No 59030B

Item	Part No.	Description	Qty.	Remarks
1	11108A	3/4"Male Probe	1	
2	11122	1"BSP Dowty Seal	2	
3	11123	3/4"BSP Dowty Seal	5	
4	11124	1/2"BSP Dowty Seal	11	
5	11125	3/8"BSP Dowty Seal	5	
6	11295	1/2"BSPx3/4"BSP M M Adaptor	1	
7	11336	1/4"BSPx3/8"BSP M M Adaptor	5	
8	11337	1/4"BSP Dowty Seal	16	
9	11114	1"BSP M M Adaptor	2	
10	12315	1/2"BSP M M Adaptor	13	
11	12316	1/4"BSP M M Adaptor	17	
12	12560	3/4"BSPx1"BSP M M Adaptor	2	
13				
14	61600	3/4"Quick Release Fem Carrier	1	
15	60168	3/8"Hose Assembly (700mm)	2	
16	13188	1/4"Hose Assembly (1000mm)	1	
17				
18	23139	3/8"BSP M M M Tee	2	
19	27447	1/4"Hose Assembly (2000mm)	2	
20	27449	1/4"BSP M M M Tee	1	
21	27459	M18x1/2"BSP M M Adaptor	1	
22	27460	M18x1/4"BSP M M Adaptor	5	
23	27461	M18 Dowty Seal	12	
24				
25	32037/2	90°Sensor Cable (5m)	1	
26	31167	M22 Dowty Seal	3	
27	31168	M22x1/2"BSP M M Adaptor	1	
28	60892	Ø10 Steel Pipe Assembly	3	
29	60893	Ø15mm Steel Pipe Assembly	2	
30				
31	32474	1/4"BSP MF Compact 90°Adaptor	1	
32	32475	1/2"BSP MF Compact 90°Adaptor	2	
33	60894	3/8"Hose Assembly (1250mm)	2	
34	10306	3/8"Hose Assembly (1500mm)	2	
35				
36	37172	1/2"BSP M M F Tee	1	
37	37199	1/4"BSP M M F Tee	2	
38	37197	1/4"BSP F M M Tee	4	
39	37599	M18x 3/8"BSP M M Adaptor	6	
40				
41	62747	1/4"Hose Assembly (1700mm)	2	
42	62748	1/4"Hose Assembly (3100mm)	2	
43				
44	62750	Pipe Clamp Support Plate	3	
45	42337	1/4"Hose Assembly (450mm)	1	
46				
47	RPS742	M14x3/8"BSP M M Adaptor	6	
48	44204	M22x1"BSP M M Adaptor	2	
49	44207	M14x1/4"BSP M M Adaptor	15	
50	44208	M14 Dowty Seal	21	
51				
52	46807	1/2"BSP In-line Check Valve	1	
53	62979	Pressure Filter Complete	1	Element only 37770/1
54	42344	3/8"BSP M M F Tee	2	
55	46960	Pressure Gauge Adaptor	1	

T2 SPARE PARTS**11.3b**

Machines from Serial No T2-273

Tractor Powered Hydraulics**Assy No 59030B**

Item	Part No.	Description	Qty.	Remarks
56	42305	1/8"BSP Gauge Port	1	
57	51270	Pressure Transmitter	1	
58	60928	1/2"Hose Assembly (1050mm)	1	
59				
60	59103	Valve Bank Assembly	1	(see list at end)
61	59104	Slave Valve	2	
62	59204	Flow Control Valve	1	
63	59215	Motor Valve c/w O'ring	1	
64	62967	Pipe Clamp (10-10-30-30-30-12)	10pair	
65	59280	Valve Base	1	
66	62971	Nylon Clamp Strip	10	
67	62963	Pipe Shield	1	
68	60161	1"BSP M F Gauge Port	1	
69	60166	3/8"BSP Probe	1	
70	60187	1/4"Hose Assembly (900mm)	1	
71	60197	1/4"Hose Assembly (1750mm)	2	
72	60318	1/4"Hose Assembly (1800mm)	2	
73	60886	Ø30 Steel Pipe Assembly	1	
74	60885	Ø30 Steel Pipe Assembly	1	
75	60379	Ø10 Steel Pipe Assembly	1	
76	60388	Ø10 Steel Pipe Assembly	1	
77	60389	Ø10 Steel Pipe Assembly	1	
78	60390	Ø12 Steel Pipe Assembly	3	
79	60391	Ø12 Steel Pipe Assembly	1	
80	70260	Pipe Bracket	1	
81	60671	1"Hose Assembly (3000mm)	2	
82				
83	60929	1/4"Hose Assembly (2650mm)	1	Standard elevator
	71038	1/4"Hose Assembly (3450mm)	1	800mm longer elevator
84	60408	1/4"Hose Assembly (2350mm)	1	
85	60633	L10 MF Elbow	4	
86				
87	60412	1/4"Hose Assembly (2340mm)	1	
88	60925	1/2"Hose Assembly (1900mm)	1	
89	32887	1/2"Hose Assembly (2000mm)	1	
90	60413	1/4"Hose Assembly (2050mm)	1	
91	71023	1/8"BSP Male xØ6 90°Adaptor	2	
92	71024	1/8"BSP Fem xØ6 Straight Adaptor	2	
93	71025	1/8BSP Breather	2	
94	60357	1/2"Hose Assembly (750mm)	1	
95	60927	1/2"Hose Assembly (750mm)	1	
96	60439	3/8"Hose Assembly (1050mm)	2	
97	60440	3/8"Hose Assembly (1200mm)	2	
98	60744	3/8"Hose Assembly (1300mm)	1	
99	60894	3/8"Hose Assembly (1250mm)	1	
100				
101	60887	1"Hose Assembly (850mm)	1	
102	60190	1"Hose Assembly (850mm)	1	
103	60990	3/8"Hose Assembly (4750mm)	2	
104	60991	3/8"Hose Assembly (950mm)	2	
105	70169	Ø6 Breather Tube	2	
106	60522	Ø15 Steel Pipe Assembly	1	
107	60523	Ø15 Steel Pipe Assembly	1	

11.3c

T2 SPARE PARTS

Machines from Serial No T2-273

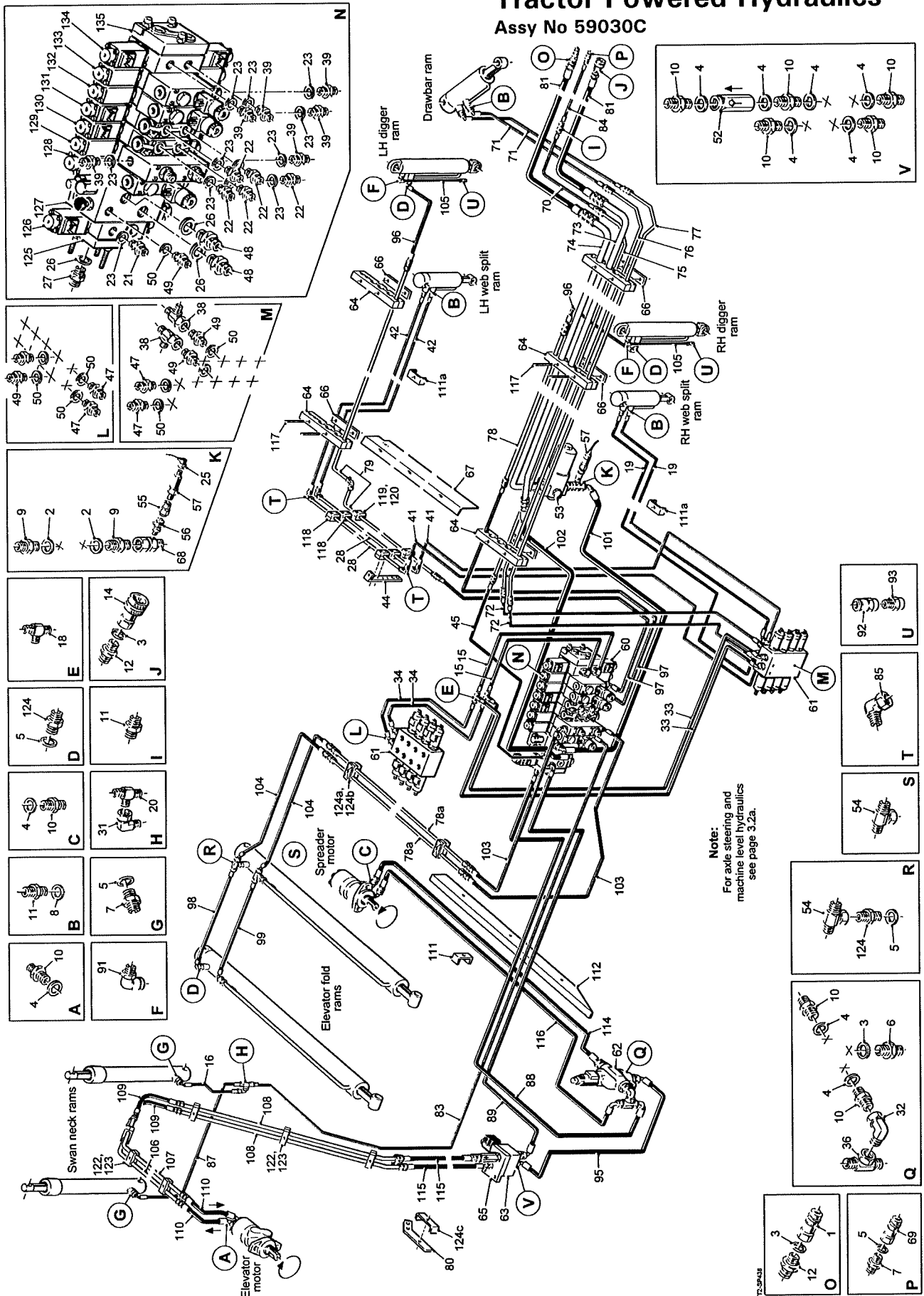
Tractor Powered Hydraulics

Assy No 59030B

Item	Part No.	Description	Qty.	Remarks
108	60524	Ø15 Steel Pipe Assembly	2	Standard elevator
	60557	Ø15 Steel Pipe Assembly	2	800mm longer elevator
109	60535	1/2"Hose Assembly (1300mm)	2	
110	60373	1/2"Hose Assembly (450mm)	2	
111	59295	Hose Clamp (2 pipe)	3	
111a	62401	Hose Clamp (2 pipe)	6	
112	64726	Cross Conveyor Pipe Shield	1	
113	64870	Pipe Clamp (15-10-15)	2 pair	
114	60695	1/2"Hose Assembly (2400mm)	1	Not used on inline
115	60537	1/2"Hose Assembly (2350mm)	2	
116	42521	1/2"Hose Assembly (2500mm)	1	Not used on inline
117	22106008/065	M8x65 Clamp Stud	20	
118	RPS466	Ø10 Pipe Clamp Complete	6	
119	RPC654.309025	Pipe Clamp Top Plate	5	
120	RPC654.309026	Pipe Clamp	5	
121				
122	RPC654.308052	Pipe Clamp Top Plate	5	
123	RPC654.309125	Clamp Plate	5	
124	UC31A	3/8"BSP M M Adaptor	4	
124a	RPS337	Pipe Clamp (12-12)	2 pair	
124b	RPS337/1	Clamp Plate	2	
124c	DW802633	Hose Clamp	1	
	59103	Valve Bank Assembly Consists Of:		
125	46285/6	End Plate	1	
126	51027/1	'Elevator Motor' Section Complete	1	
	59103/4	Solenoid Only	2	
127	46285/4	Inlet Section Complete	1	
128	51028/1	'Swan Neck' Section Complete	1	
	59103/4	Solenoid Only	2	
	51028/4B	Check Solenoid Only	1	
129	51028/3	'Elevator Fold' Section Complete	1	
	59103/4	Solenoid Only	2	
130	46285/1	'LH Axle Steer' Section Complete	1	
	59103/4	Solenoid Only	2	
131	46285/1	'RH Axle Steer' Section Complete	1	
	59103/4	Solenoid Only	2	
132	51028/1	'LH Digger' Section Complete	1	
	59103/4	Solenoid Only	2	
	51028/4B	Check Solenoid Only	1	
133	51028/1	'RH Digger' Section Complete	1	
	59103/4	Solenoid Only	2	
	51028/4B	Check Solenoid Only	1	
134	46285/10	'Slave Valve' Section Complete	1	
135	46285/7	End Plate	1	

Machines from Serial No T2-288

Tractor Powered Hydraulics Assy No 59030C



Note:
For axle steering and
machine level hydraulics
see page 3.2a.

11.3a

T2 SPARE PARTS

Machines from Serial No T2-288

Tractor Powered Hydraulics

Assy No 59030C

Item	Part No.	Description	Qty.	Remarks
1	11108A	3/4" Male Probe	1	
2	11122	1" BSP Dowty Seal	2	
3	11123	3/4" BSP Dowty Seal	5	
4	11124	1/2" BSP Dowty Seal	11	
5	11125	3/8" BSP Dowty Seal	5	
6	11295	1/2" BSPx3/4" BSP M M Adaptor	1	
7	11336	1/4" BSPx3/8" BSP M M Adaptor	5	
8	11337	1/4" BSP Dowty Seal	16	
9	11114	1" BSP M M Adaptor	2	
10	12315	1/2" BSP M M Adaptor	13	
11	12316	1/4" BSP M M Adaptor	17	
12	12560	3/4" BSPx1" BSP M M Adaptor	2	
13				
14	61600	3/4" Quick Release Fem Carrier	1	
15	60168	3/8" Hose Assembly (700mm)	2	
16	13188	1/4" Hose Assembly (1000mm)	1	
17				
18	23139	3/8" BSP M M M Tee	2	
19	27447	1/4" Hose Assembly (2000mm)	2	
20	27449	1/4" BSP M M M Tee	1	
21	27459	M18x1/2" BSP M M Adaptor	1	
22	27460	M18x1/4" BSP M M Adaptor	5	
23	27461	M18 Dowty Seal	12	
24				
25	32037/2	90° Sensor Cable (5m)	1	
26	31167	M22 Dowty Seal	3	
27	31168	M22x1/2" BSP M M Adaptor	1	
28	62749	Ø10 Steel Pipe Assembly	2	
29				
30				
31	32474	1/4" BSP MF Compact 90° Adaptor	1	
32	32475	1/2" BSP MF Compact 90° Adaptor	2	
33	60894	3/8" Hose Assembly (1250mm)	2	
34	10306	3/8" Hose Assembly (1500mm)	2	
35				
36	37172	1/2" BSP M M F Tee	1	
37	37199	1/4" BSP M M F Tee	2	
38	37197	1/4" BSP F M M Tee	4	
39	37599	M18x 3/8" BSP M M Adaptor	6	
40				
41	62747	1/4" Hose Assembly (1700mm)	2	
42	62748	1/4" Hose Assembly (3100mm)	2	
43				
44	62750	Pipe Clamp Support Plate	3	
45	42337	1/4" Hose Assembly (450mm)	1	
46				
47	RPS742	M14x3/8" BSP M M Adaptor	6	
48	44204	M22x1" BSP M M Adaptor	2	
49	44207	M14x1/4" BSP M M Adaptor	15	
50	44208	M14 Dowty Seal	21	
51				
52	46807	1/2" BSP In-line Check Valve	1	
53	62979	Pressure Filter Complete	1	Element only 37770/1
54	42344	3/8" BSP M M F Tee	2	
55	46960	Pressure Gauge Adaptor	1	

T2 SPARE PARTS

11.3b

Machines from Serial No T2-288

Tractor Powered Hydraulics

Assy No 59030C

Item	Part No.	Description	Qty.	Remarks
56	42305	1/8"BSP Gauge Port	1	
57	51270	Pressure Transmitter	1	
58				
59				
60	59103	Valve Bank Assembly	1	(see list at end)
61	59104	Slave Valve	2	
62	59204	Flow Control Valve	1	
63	59215	Motor Valve c/w O'ring	1	
64	62967	Pipe Clamp (10-10-30-30-30-12)	10pair	
65	59280	Valve Base	1	
66	62971	Nylon Clamp Strip	10	
67	62963	Pipe Shield	1	
68	60161	1"BSP M F Gauge Port	1	
69	60166	3/8"BSP Probe	1	
70	60187	1/4"Hose Assembly (900mm)	1	
71	60197	1/4"Hose Assembly (1750mm)	2	
72	60318	1/4"Hose Assembly (1800mm)	2	
73	60886	Ø30 Steel Pipe Assembly	1	
74	60885	Ø30 Steel Pipe Assembly	1	
75	60379	Ø10 Steel Pipe Assembly	1	
76	60388	Ø10 Steel Pipe Assembly	1	
77	60389	Ø10 Steel Pipe Assembly	1	
78	60390	Ø12 Steel Pipe Assembly (1800mm)	1	
78a	60546	Ø12 Steel Pipe Assembly (1600mm)	2	
79	60391	Ø12 Steel Pipe Assembly	1	
80	70260	Pipe Bracket	1	
81	60671	1"Hose Assembly (3000mm)	2	
82				
83	71117	1/4"Hose Assembly (7700mm)	1	Standard elevator
	71050	1/4"Hose Assembly (8450mm)	1	800mm longer elevator
84	60408	1/4"Hose Assembly (2350mm)	1	
85	60633	L10 MF Elbow	4	
86				
87	60412	1/4"Hose Assembly (2340mm)	1	
88	71115	1/2"Hose Assembly (5600mm)	1	
89	71116	1/2"Hose Assembly (6150mm)	1	
90				
91	71023	1/8"BSP Male xØ6 90°Adaptor	2	
92	71024	1/8"BSP Fem xØ6 Straight Adaptor	2	
93	71025	1/8BSP Breather	2	
94				
95	60927	1/2"Hose Assembly (750mm)	1	
96	60439	3/8"Hose Assembly (1050mm)	2	
97	60440	3/8"Hose Assembly (1200mm)	2	
98	60744	3/8"Hose Assembly (1300mm)	1	
99	60894	3/8"Hose Assembly (1250mm)	1	
100				
101	60887	1"Hose Assembly (850mm)	1	
102	60190	1"Hose Assembly (850mm)	1	
103	60990	3/8"Hose Assembly (4750mm)	2	
104	71118	3/8"Hose Assembly (600mm)	2	
105	70169	Ø6 Breather Tube	2	
106	60522	Ø15 Steel Pipe Assembly	1	
107	60523	Ø15 Steel Pipe Assembly	1	

11.3c

T2 SPARE PARTS

Machines from Serial No T2-288

Tractor Powered Hydraulics

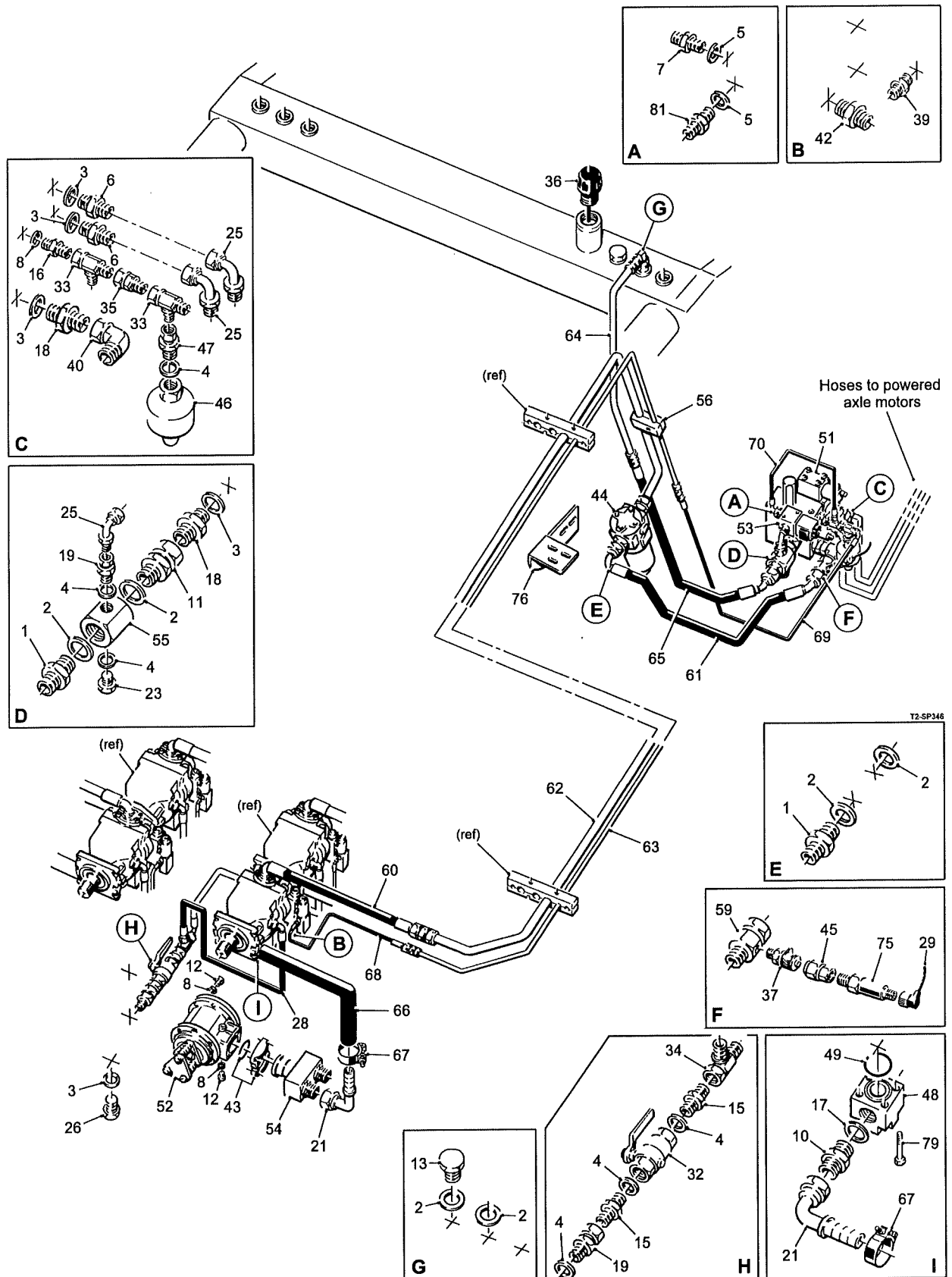
Assy No 59030C

Item	Part No.	Description	Qty.	Remarks
108	60524	Ø15 Steel Pipe Assembly	2	Standard elevator
	60557	Ø15 Steel Pipe Assembly	2	800mm longer elevator
109	60535	1/2"Hose Assembly (1300mm)	2	
110	60373	1/2"Hose Assembly (450mm)	2	
111	59295	Hose Clamp (2 pipe)	3	
111a	62401	Hose Clamp (2 pipe)	6	
112	64726	Cross Conveyor Pipe Shield	1	
113				
114	60695	1/2"Hose Assembly (2400mm)	1	Not used on inline
115	60537	1/2"Hose Assembly (2350mm)	2	
116	42521	1/2"Hose Assembly (2500mm)	1	Not used on inline
117	22106008/065	M8x65 Clamp Stud	20	
118	RPS466	Ø10 Pipe Clamp Complete	6	
119	RPC654.309025	Pipe Clamp Top Plate	5	
120	RPC654.309026	Pipe Clamp	5	
121				
122	RPC654.308052	Pipe Clamp Top Plate	5	
123	41401	Clamp Plate	5	
124	UC31A	3/8"BSP M M Adaptor	4	
124a	RPS337	Pipe Clamp (12-12)	2 pair	
124b	RPS337/1	Clamp Plate	2	
124c	DW802633	Hose Clamp	1	
	59103	Valve Bank Assembly Consists Of:		
125	46285/6	End Plate	1	
126	51027/1	'Elevator Motor' Section Complete	1	
	59103/4	Solenoid Only	2	
127	46285/4	Inlet Section Complete	1	
128	51028/1	'Swan Neck' Section Complete	1	
	59103/4	Solenoid Only	2	
	51028/4B	Check Solenoid Only	1	
129	51028/3	'Elevator Fold' Section Complete	1	
	59103/4	Solenoid Only	2	
130	46285/1	'LH Axle Steer' Section Complete	1	
	59103/4	Solenoid Only	2	
131	46285/1	'RH Axle Steer' Section Complete	1	
	59103/4	Solenoid Only	2	
132	51028/1	'LH Digger' Section Complete	1	
	59103/4	Solenoid Only	2	
	51028/4B	Check Solenoid Only	1	
133	51028/1	'RH Digger' Section Complete	1	
	59103/4	Solenoid Only	2	
	51028/4B	Check Solenoid Only	1	
134	46285/10	'Slave Valve' Section Complete	1	
135	46285/7	End Plate	1	

Machines from 2021

Powered Axle Hydraulics

Assy No 59031A

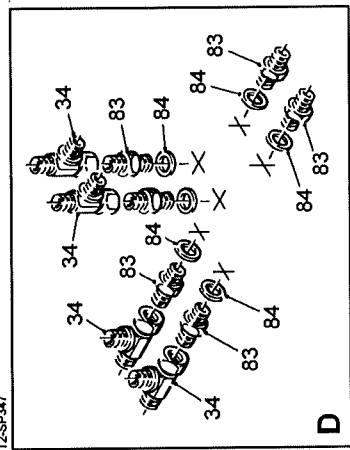
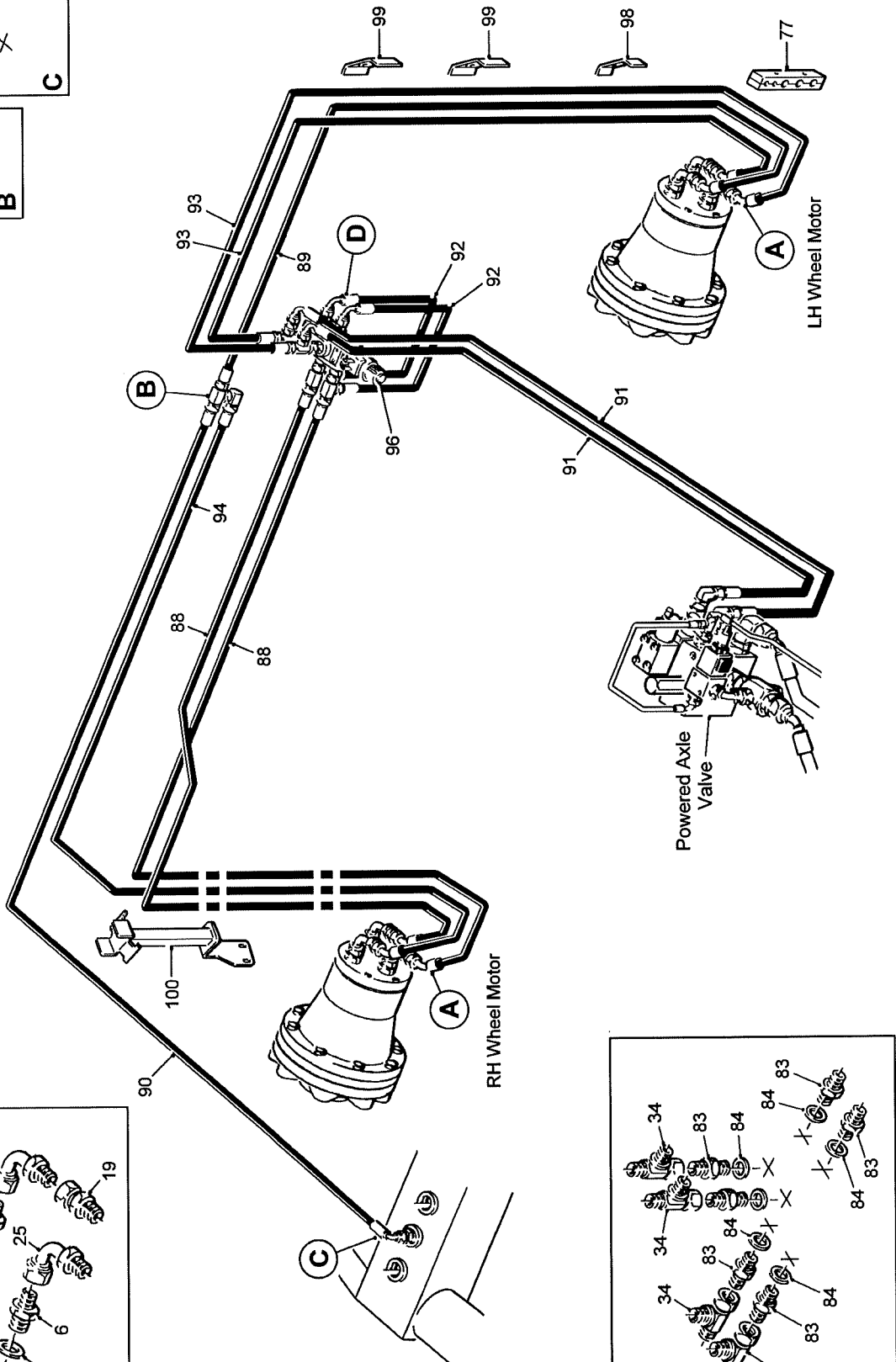
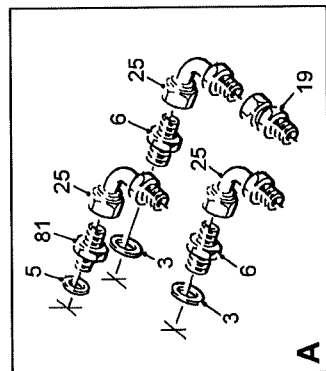
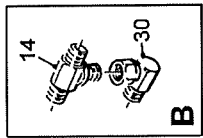
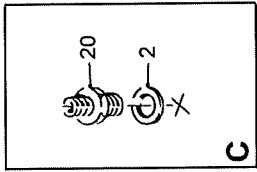


11.4a

T2 SPARE PARTS

Machines from 2021

Powered Axle Hydraulics Assy No 59031A



T2 SPARE PARTS**11.4b**

Machines from 2021

Powered Axle Hydraulics

Assy No 59031A

Item	Part No.	Description	Qty.	Remarks
1	11114	1"BSP M M Adaptor	2	
2	11122	1"BSP Dowty Seal	7	
3	11123	3/4"BSP Dowty Seal	9	
4	11124	1/2"BSP Dowty Seal	6	
5	11125	3/8"BSP Dowty Seal	4	
6	11295	1/2"BSPx3/4"BSP M M Adaptor	4	
7	11336	1/4"BSPx3/8"BSP M M Adaptor	1	
8	11337	1/4"BSP Dowty Seal	3	
9				
10	11737	1 1/4"BSPx1 1/2"BSP M M Adaptor	1	
11	11808	1"BSP M F Swivel Adaptor	1	
12	11876/8	1/4"BSP Blanking Plug	2	
13	11116	1"BSP Blanking Plug	1	
14	12323	1/2"BSP M M M Tee	1	
15	12315	1/2"BSP M M Adaptor	2	
16	12316	1/4"BSP M M Adaptor	1	
17	12352	1 1/2"BSP Dowty Seal	1	
18	12560	3/4"BSPx1"BSP M M Adaptor	2	
19	12602	1/2"BSP M F Swivel Adaptor	4	
20	12521	1/2"BSPx1"BSP M M Adaptor	1	
21	13299	1 1/4"BSP 90°Push On Adaptor	2	
22				
23	24383	1/2"BSP Blanking Plug	1	
24				
25	26086	1/2"BSP M F Swept 90°Adaptor	9	
26	11117	3/4"BSP Blanking Plug	1	
27				
28	60359	1/2"Hose Assembly (700mm)	1	
29	32037/4	90°Sensor Cable (10m)	1	
30	32475	1/2"BSP MF Compact 90°Adaptor	1	
31				
32	37019	1/2"BSP Shut-off Valve	1	
33	37197	1/4"BSP F M M Tee	2	
34	37367	1/2"BSP M F M Tee	5	
35	46724	1/4"BSP M F Swivel Adaptor	1	
36	42066	Filler Cap c/w Dipstick	1	
37	42305	1/8"BSP Gauge Port	1	
38				
39	44198	1/4"BSPx7/16"UNF M M Adaptor	1	
40	44179	1"BSP M F Compact 90°Adaptor	1	
41				
42	46303	1/2"BSPx7/8"UNF M M Adaptor	1	
43	46503	2 1/2" Split Flange Kit c/w O' Ring	1	
44	62979	Pressure Filter Complete	1	Element only 37770/1
45	46960	Pressure Gauge Adaptor	1	
46	51585	1/2"BSP Accumulator	1	
47	51588	1/4"BSPFx1/2"BSPM Swivel Adaptor	1	
48	56302	Pump Adaptor	1	
49	56637	2"Flange O' Ring	1	
50				
51	59107	Valve Block Assembly	1	
52	59178	Suction Filter Complete	1	
53	59205A	Proportional Pressure Valve	1	Was 59205
54	59262	Suction Manifold	1	
55	59289	Return Manifold	1	

Machines from 2021

Powered Axle Hydraulics

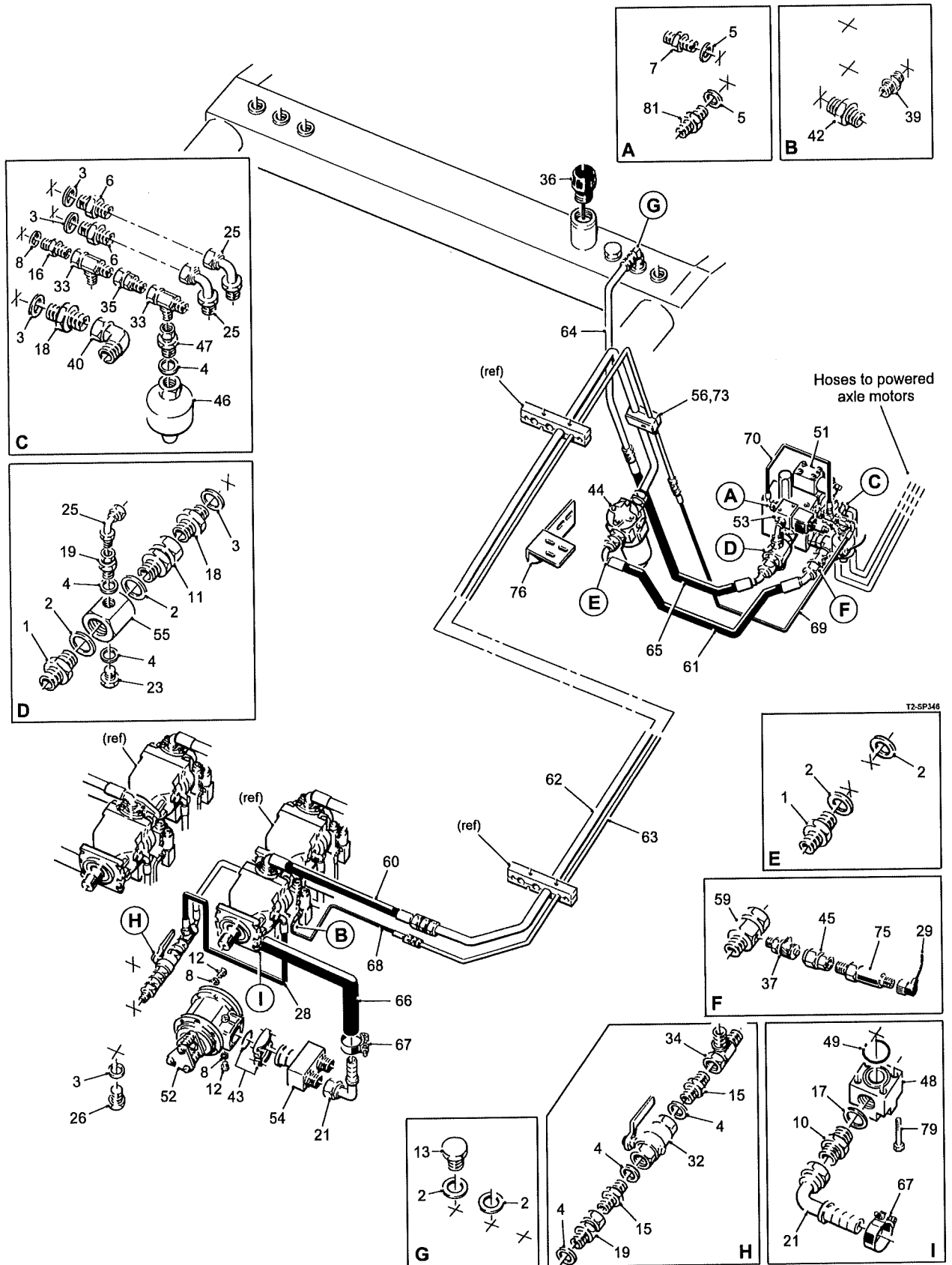
Assy No 59031A

Item	Part No.	Description	Qty.	Remarks
56	62970	Pipe Clamp (10-30)	2 pairs	
57				
58				
59	60161	1"BSP M F Gauge Port	1	
60	60673	1" 5K Hose Assembly (1100mm)	1	
61	60626	1" 5K Hose Assembly (1425mm)	1	
62	60664	Ø30 Steel Pipe Assembly	1	
63	60383	Ø10 Steel Pipe Assembly	1	
64	60396	Ø25 Steel Pipe Assembly	1	
65	60452	1"Hose Assembly (500mm)	1	
66	60453	1 1/4"Suction Hose (430mm)	1	
67	60532	Ø37-40mm Hose Band	2	
68	60899	1/4" 5K Hose Assembly (1100mm)	1	
69	60631	1/4" 5K Hose Assembly (650mm)	1	
70	60632	1/4" 5K Hose Assembly (300mm)	1	
71				
72				
73				
74				
75	62774	Pressure Transmitter (400 Bar)	1	
76	62567A	LH Filter Mounting	1	
77	64912	Pipe Clamp (12-12-20-22-22)	1pair	
78				
79	22028050/325	1/2"UNCx3 1/4"Bolt	4	
80				
81	UC25	3/8"BSPx1/2"BSP M M Adaptor	3	
82				
83	27459	M18x1/2"BSP M M Adaptor	6	
84	27461	M18 Dowty Seal	6	
85				
86				
87				
88	60906	1/2"5K Hose Assembly (4800mm)	2	
89	60814	1/2"3K Hose Assembly (4000mm)	1	
90	60482	1/2"3K Hose Assembly (5100mm)	1	
91	60904	1/2"5K Hose Assembly (4700mm)	2	
92	60641	1/2"5K Hose Assembly (600mm)	2	
93	60905	1/2"5K Hose Assembly (4000mm)	2	
94	60920	1/2"3K Hose Assembly (4950mm)	1	
95				
96	62336A	Hydraulic Valve	1	Was 62336
97				
98	64795	Hose Clamp (narrow)	1	
99	64796	Hose Clamp (wide)	2	
100	64925	Hose Support	1	

Machines from Serial No T2-264

Powered Axle Hydraulics

Assy No 59031A



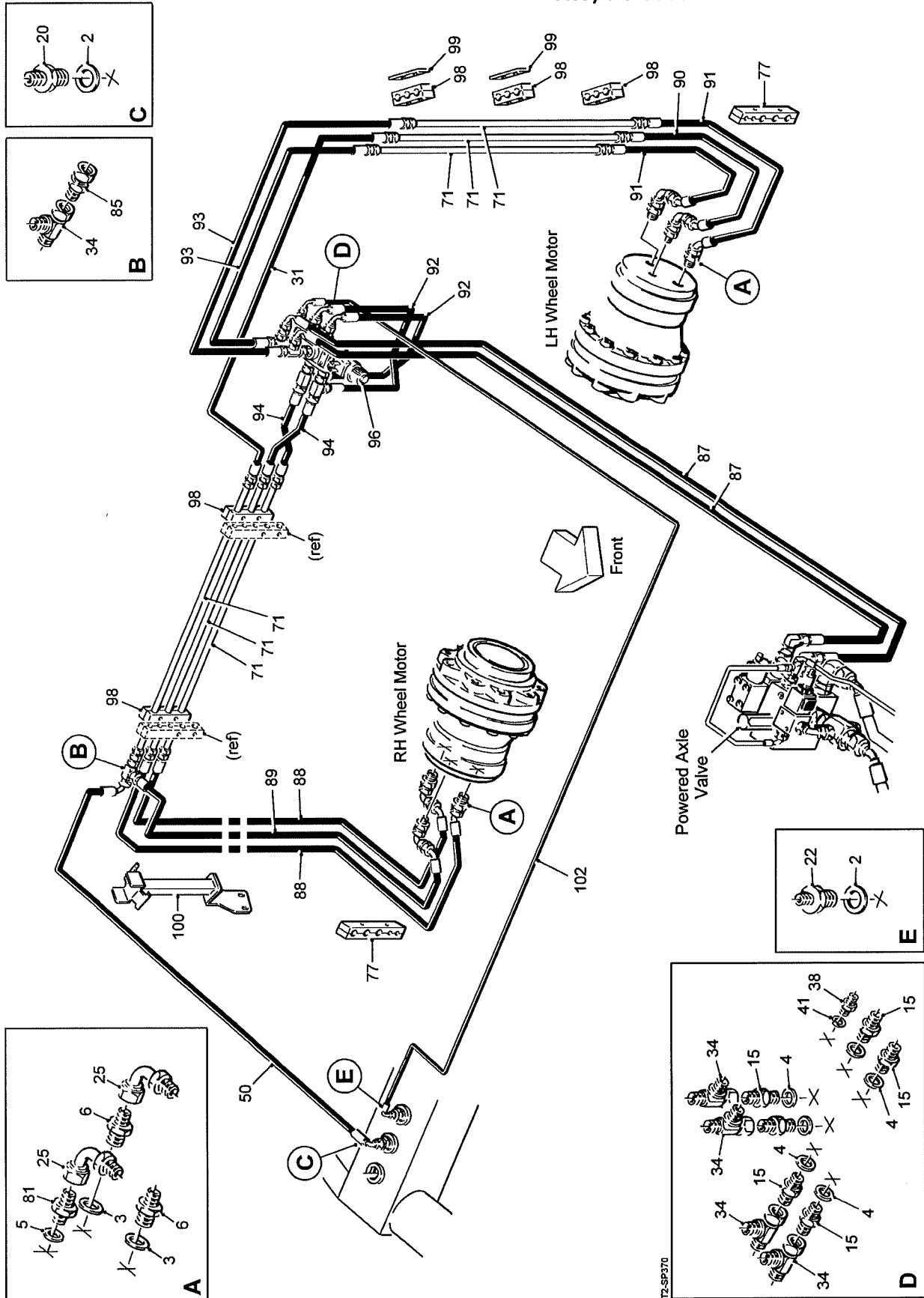
11.4a

T2 SPARE PARTS

Machines from Serial No T2-264

Powered Axle Hydraulics

Assy No 59031A



T2 SPARE PARTS**11.4b**

Machines from Serial No T2-264

Powered Axle Hydraulics**Assy No 59031A**

Item	Part No.	Description	Qty.	Remarks
1	11114	1"BSP M M Adaptor	2	
2	11122	1"BSP Dowty Seal	8	
3	11123	3/4"BSP Dowty Seal	9	
4	11124	1/2"BSP Dowty Seal	12	
5	11125	3/8"BSP Dowty Seal	4	
6	11295	1/2"BSPx3/4"BSP M M Adaptor	4	
7	11336	1/4"BSPx3/8"BSP M M Adaptor	1	
8	11337	1/4"BSP Dowty Seal	3	
9				
10	11737	1 1/4"BSPx1 1/2"BSP M M Adaptor	1	
11	11808	1"BSP M F Swivel Adaptor	1	
12	11876/8	1/4"BSP Blanking Plug	2	
13	11116	1"BSP Blanking Plug	1	
14				
15	12315	1/2"BSP M M Adaptor	8	
16	12316	1/4"BSP M M Adaptor	1	
17	12352	1 1/2"BSP Dowty Seal	1	
18	12560	3/4"BSPx1"BSP M M Adaptor	2	
19	12602	1/2"BSP M F Swivel Adaptor	2	
20	12521	1/2"BSPx1"BSP M M Adaptor	1	
21	13299	1 1/4"BSP 90°Push On Adaptor	2	
22	13346	1/4"BSPx1"BSP M M Adaptor	1	
23	24383	1/2"BSP Blanking Plug	1	
24				
25	26086	1/2"BSP M F Swept 90°Adaptor	7	
26	11117	3/4"BSP Blanking Plug	1	
27				
28	60359	1/2"Hose Assembly (700mm)	1	
29	32037/4	90°Sensor Cable (10m)	1	
30			1	
31	37709	1/2"Hose Assembly (1350mm)	1	
32	37019	1/2"BSP Shut-off Valve	1	
33	37197	1/4"BSP F M M Tee	2	
34	37367	1/2"BSP M F M Tee	5	
35	46724	1/4"BSP M F Swivel Adaptor	1	
36	42066	Filler Cap c/w Dipstick	1	
37	42305	1/8"BSP Gauge Port	1	
38	44207	M14x1/4"BSP M M Adaptor	1	
39	44198	1/4"BSPx7/16"UNF M M Adaptor	1	
40	44179	1"BSP M F Compact 90°Adaptor	1	
41	44208	M14 Dowty Seal	1	
42	46303	1/2"BSPx7/8"UNF M M Adaptor	1	
43	46503	2 1/2" Split Flange Kit c/w O' Ring	1	
44	62979	Pressure Filter Complete	1	Element only 37770/1
45	46960	Pressure Gauge Adaptor	1	
46	51585	1/2"BSP Accumulator	1	
47	51588	1/4"BSPFx1/2"BSPM Swivel Adaptor	1	
48	56302	Pump Adaptor	1	
49	56637	2"Flange O' Ring	1	
50	55149	1/2"Hose Assembly (3600mm)	1	
51	59107	Valve Block Assembly	1	
52	59178	Suction Filter Complete	1	
53	59205A	Proportional Pressure Valve	1	Was 59205
54	59262	Suction Manifold	1	
55	59289	Return Manifold	1	

11.4c**T2 SPARE PARTS**

Machines from Serial No T2-264

Powered Axle Hydraulics

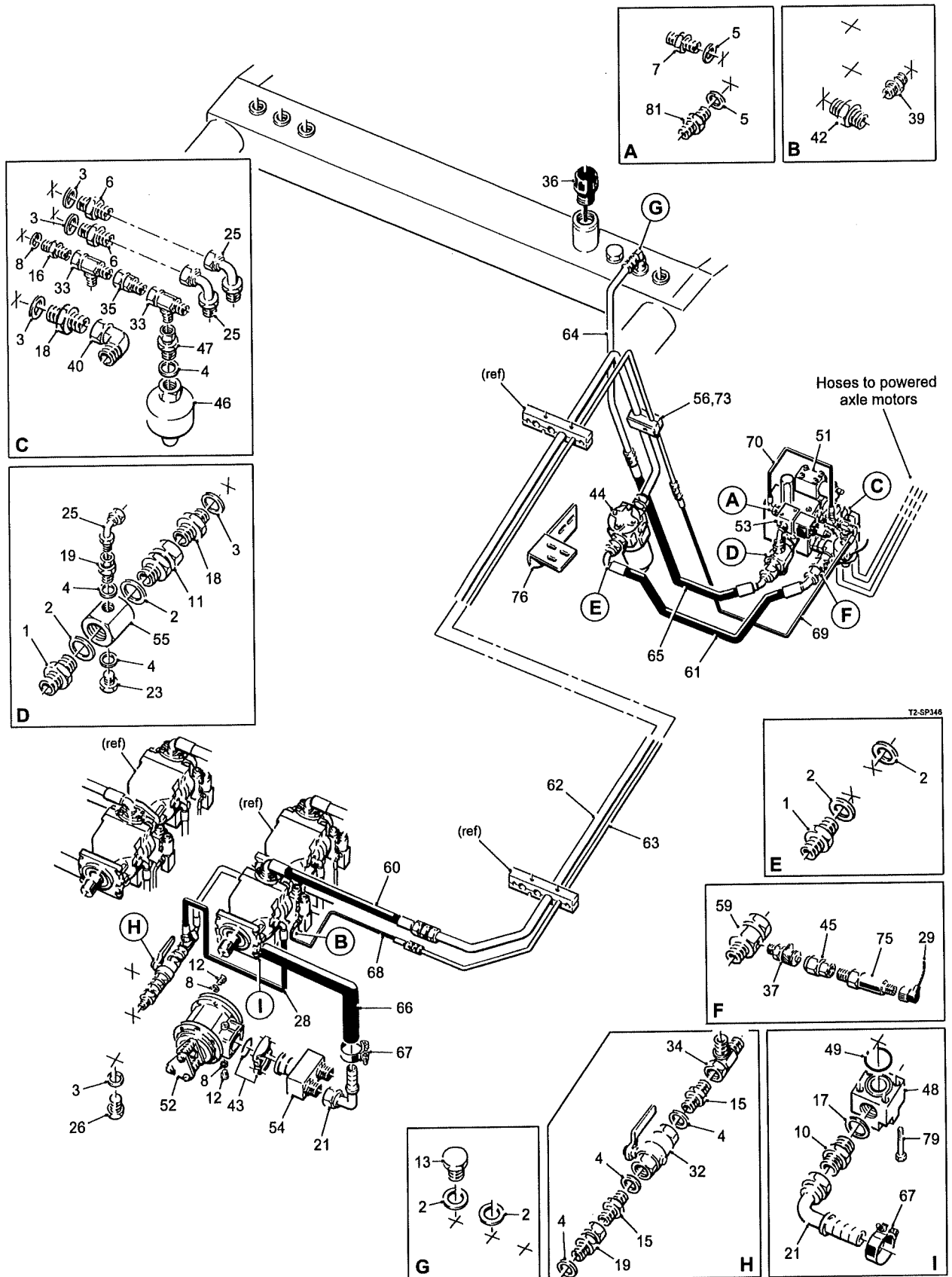
Assy No 59031A

Item	Part No.	Description	Qty.	Remarks
56	62970	Pipe Clamp (10-30)	2 pairs	
57				
58				
59	60161	1"BSP M F Gauge Port	1	
60	60673	1" 5K Hose Assembly (1100mm)	1	
61	60626	1" 5K Hose Assembly (1425mm)	1	
62	60664	Ø30 Steel Pipe Assembly	1	
63	60383	Ø10 Steel Pipe Assembly	1	
64	60396	Ø25 Steel Pipe Assembly	1	
65	60452	1"Hose Assembly (500mm)	1	
66	60453	1 1/4"Suction Hose (430mm)	1	
67	60532	Ø37-40mm Hose Band	2	
68	60899	1/4" 5K Hose Assembly (1100mm)	1	
69	60631	1/4" 5K Hose Assembly (650mm)	1	
70	60632	1/4" 5K Hose Assembly (300mm)	1	
71	60958	Ø15 Steel Pipe Assembly	6	
72				
73	61637	Clamp Plate	1	
74				
75	62774	Pressure Transmitter (400 Bar)	1	
76	62567A	LH Filter Mounting	1	
77	64912	Pipe Clamp (12-12-20-22-22)	2 pairs	
78				
79	22028050/325	1/2"UNCx3 1/4"Bolt	4	
80				
81	UC25	3/8"BSPx1/2"BSP M M Adaptor	3	
82				
83				
84				
85	27388	1/2"BSPx15 Pipe Male Stud Coupling	1	
86				
87	60904	1/2" 5K Hose Assembly (3550mm)	2	
88	60906	1/2" 5K Hose Assembly (4600mm)	2	
89	60995	1/2" Hose Assembly (4600mm)	1	
90	60996	1/2" Hose Assembly (1500mm)	1	
91	60997	1/2" 5K Hose Assembly (1500mm)	2	
92	60641	1/2" 5K Hose Assembly (600mm)	2	
93	60998	1/2" 5K Hose Assembly (800mm)	2	
94	60999	1/2" 5K Hose Assembly (550mm)	2	
95				
96	62336A	Hydraulic Valve (1/2"BSP)	1	
97				
98	64991	Pipe Clamp (15-15-15)	5 pairs	
99	64796	Clamp Plate	2	
100	64925	Hose Support	1	
101				
102	71001	1/4"Hose Assembly (5400mm)	1	

Machines from Serial No T2-286

Powered Axle Hydraulics

Assy No 59031A



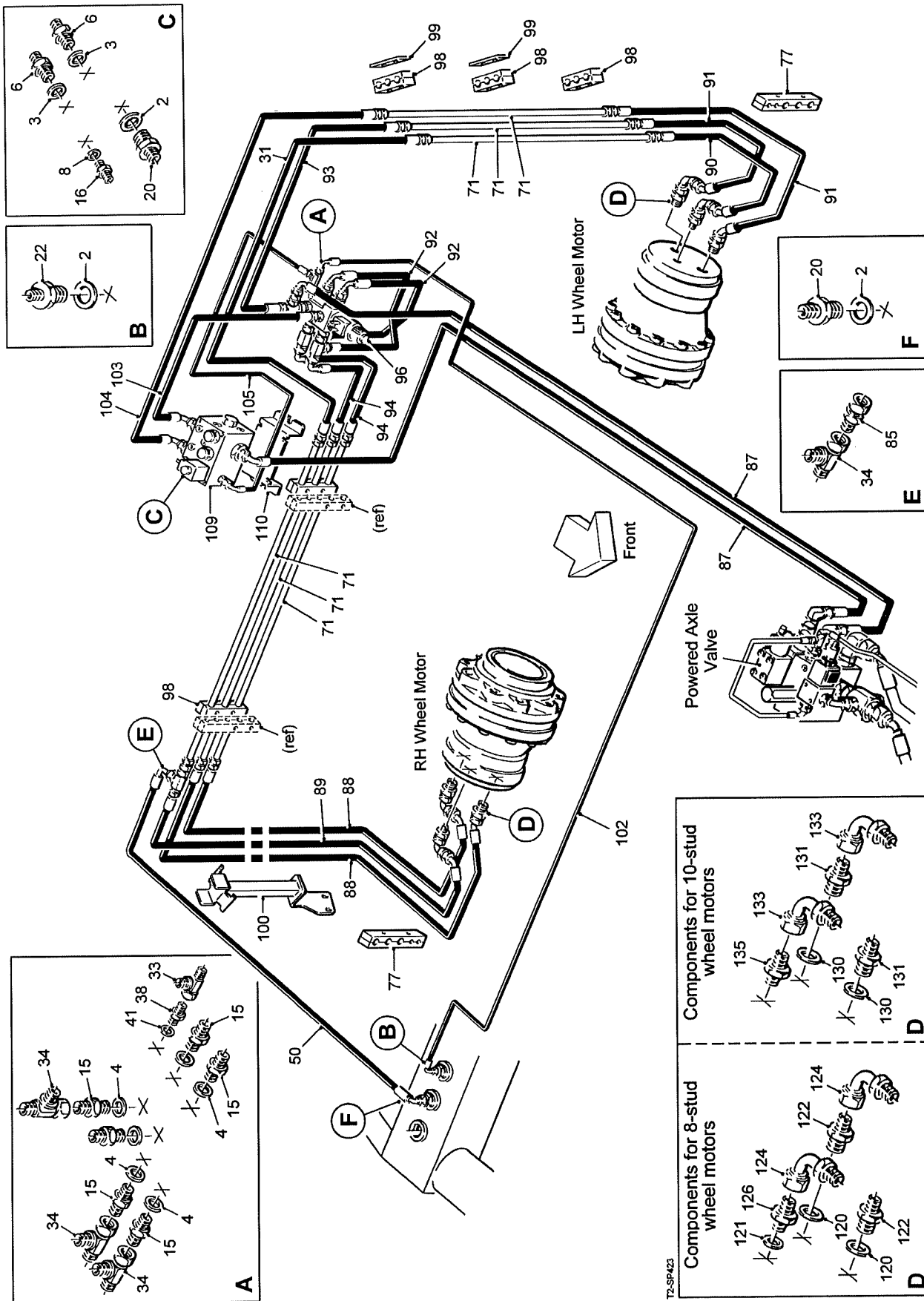
11.4a

T2 SPARE PARTS

Machines from Serial No T2-286

Powered Axle Hydraulics

Assy No 59031A



T2 SPARE PARTS**11.4b**

Machines from Serial No T2-286

Powered Axle Hydraulics**Assy No 59031A**

Item	Part No.	Description	Qty.	Remarks
1	11114	1"BSP M M Adaptor	2	
2	11122	1"BSP Dowty Seal	9	
3	11123	3/4"BSP Dowty Seal	11	
4	11124	1/2"BSP Dowty Seal	12	
5	11125	3/8"BSP Dowty Seal	2	
6	11295	1/2"BSPx3/4"BSP M M Adaptor	6	
7	11336	1/4"BSPx3/8"BSP M M Adaptor	1	
8	11337	1/4"BSP Dowty Seal	4	
9				
10	11737	1 1/4"BSPx1 1/2"BSP M M Adaptor	1	
11	11808	1"BSP M F Swivel Adaptor	2	
12	11876/8	1/4"BSP Blanking Plug	2	
13	11116	1"BSP Blanking Plug	1	
14				
15	12315	1/2"BSP M M Adaptor	8	
16	12316	1/4"BSP M M Adaptor	1	
17	12352	1 1/2"BSP Dowty Seal	1	
18	12560	3/4"BSPx1"BSP M M Adaptor	2	
19	12602	1/2"BSP M F Swivel Adaptor	2	
20	12521	1/2"BSPx1"BSP M M Adaptor	2	
21	13299	1 1/4"BSP 90°Push On Adaptor	2	
22	13346	1/4"BSPx1"BSP M M Adaptor	1	
23	24383	1/2"BSP Blanking Plug	1	
24				
25	26086	1/2"BSP M F Swept 90°Adaptor	3	
26	11117	3/4"BSP Blanking Plug	1	
27				
28	60359	1/2"Hose Assembly (700mm)	1	
29	32037/4	90°Sensor Cable (10m)	1	
30				
31	37709	1/2"Hose Assembly (1350mm)	1	
32	37019	1/2"BSP Shut-off Valve	1	
33	37197	1/4"BSP F M M Tee	3	
34	37367	1/2"BSP M F M Tee	5	
35	46724	1/4"BSP M F Swivel Adaptor	1	
36	42066	Filler Cap c/w Dipstick	1	
37	42305	1/8"BSP Gauge Port	1	
38	44207	M14x1/4"BSP M M Adaptor	1	
39	44198	1/4"BSPx7/16"UNF M M Adaptor	1	
40	44179	1"BSP M F Compact 90°Adaptor	1	
41	44208	M14 Dowty Seal	1	
42	46303	1/2"BSPx7/8"UNF M M Adaptor	1	
43	46503	2 1/2" Split Flange Kit c/w O' Ring	1	
44	62979	Pressure Filter Complete	1	Element only 37770/1
45	46960	Pressure Gauge Adaptor	1	
46	51585	1/2"BSP Accumulator	1	
47	51588	1/4"BSPFx1/2"BSPM Swivel Adaptor	1	
48	56302	Pump Adaptor	1	
49	56637	2"Flange O' Ring	1	
50	55149	1/2"Hose Assembly (3600mm)	1	
51	59107	Valve Block Assembly	1	
52	59178	Suction Filter Complete	1	
53	59205A	Proportional Pressure Valve	1	
54	59262	Suction Manifold	1	
55	59289	Return Manifold	1	

11.4c**T2 SPARE PARTS**

Machines from Serial No T2-286

Powered Axle Hydraulics

Assy No 59031A

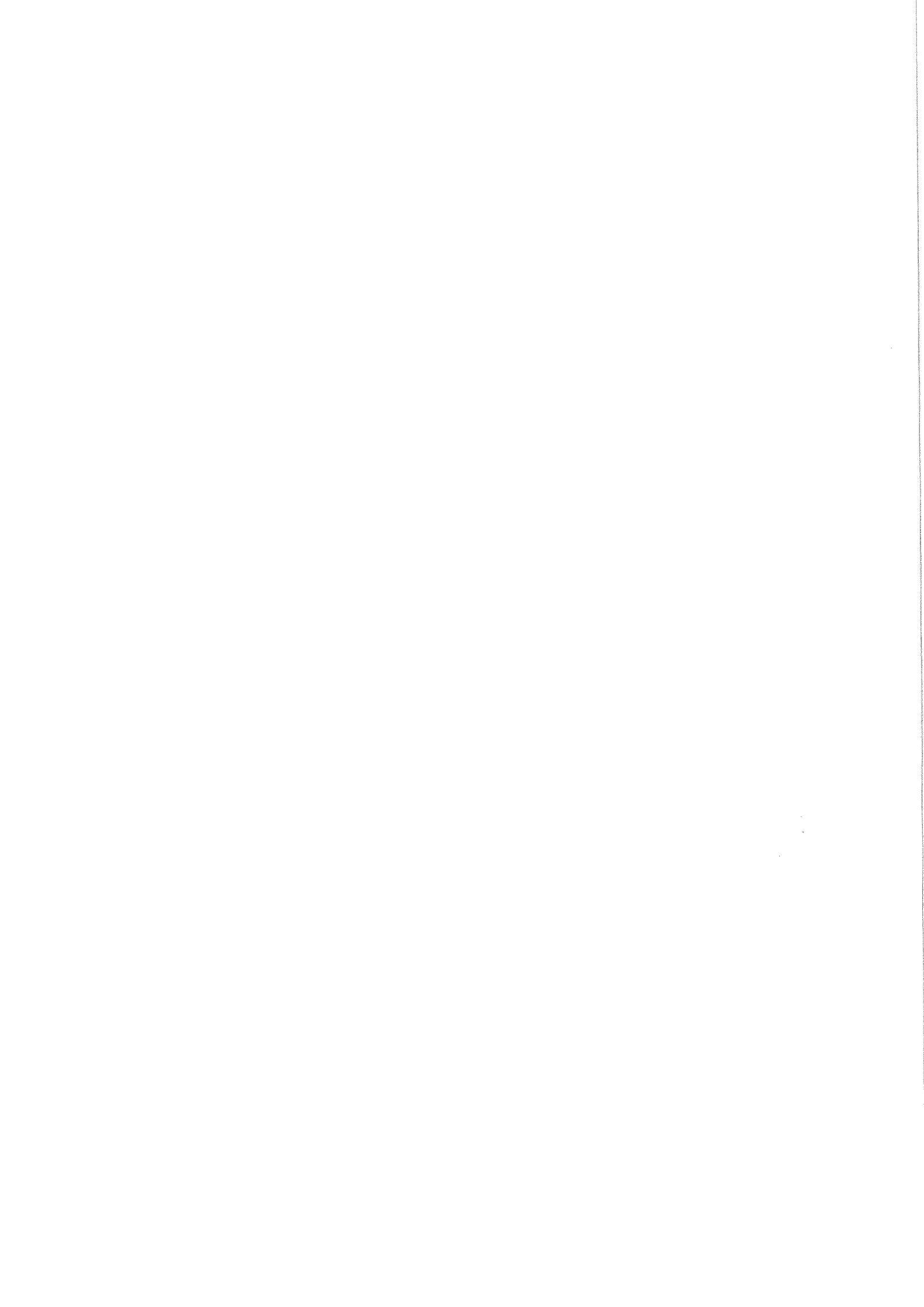
Item	Part No.	Description	Qty.	Remarks
56	62970	Pipe Clamp (10-30)	2 pairs	
57				
58				
59	60161	1"BSP M F Gauge Port	1	
60	60673	1" 5K Hose Assembly (1100mm)	1	
61	60626	1" 5K Hose Assembly (1425mm)	1	
62	60664	Ø30 Steel Pipe Assembly	1	
63	60383	Ø10 Steel Pipe Assembly	1	
64	60396	Ø25 Steel Pipe Assembly	1	
65	60452	1"Hose Assembly (500mm)	1	
66	60453	1 1/4"Suction Hose (430mm)	1	
67	60532	Ø37-40mm Hose Band	2	
68	60899	1/4" 5K Hose Assembly (1100mm)	1	
69	60631	1/4" 5K Hose Assembly (650mm)	1	
70	60632	1/4" 5K Hose Assembly (300mm)	1	
71	60958	Ø15 Steel Pipe Assembly	6	
72				
73	61637	Clamp Plate	1	
74				
75	62774	Pressure Transmitter (400 Bar)	1	
76	62567A	LH Filter Mounting	1	
77	64912	Pipe Clamp (12-12-20-22-22)	2 pairs	
78				
79	22028050/325	1/2"UNCx3 1/4"Bolt	4	
80				
81	UC25	3/8"BSPx1/2"BSP M M Adaptor	1	
82				
83				
84				
85	27388	1/2"BSPx15 Pipe Male Stud Coupling	1	
86				
87	60904	1/2" 5K Hose Assembly (3550mm)	2	
88	60906	1/2" 5K Hose Assembly (4600mm)	2	
89	60995	1/2" Hose Assembly (4600mm)	1	
90	60996	1/2" Hose Assembly (1500mm)	1	
91	60997	1/2" 5K Hose Assembly (1500mm)	2	
92	60641	1/2" 5K Hose Assembly (600mm)	2	
93	60998	1/2" 5K Hose Assembly (800mm)	2	
94	60999	1/2" 5K Hose Assembly (550mm)	2	
95				
96	62336A	Hydraulic Valve (1/2"BSP)	1	
97				
98	64991	Pipe Clamp (15-15-15)	5 pairs	
99	64796	Clamp Plate	2	
100	64925	Hose Support	1	
101				
102	71001	1/4"Hose Assembly (5400mm)	1	
103	71078	1/2" 5K Hose Assembly (800mm)	1	
104	71079	1/2" 5K Hose Assembly (1050mm)	1	
105	71080	1/4" Hose Assembly (800mm)	1	
106				
107				
108				
109	70294	Differential Lock Valve	1	
110	70339	Valve Bracket	1	

T2 SPARE PARTS**11.4d**

Machines from Serial No T2-286

Powered Axle Hydraulics**Assy No 59031A**

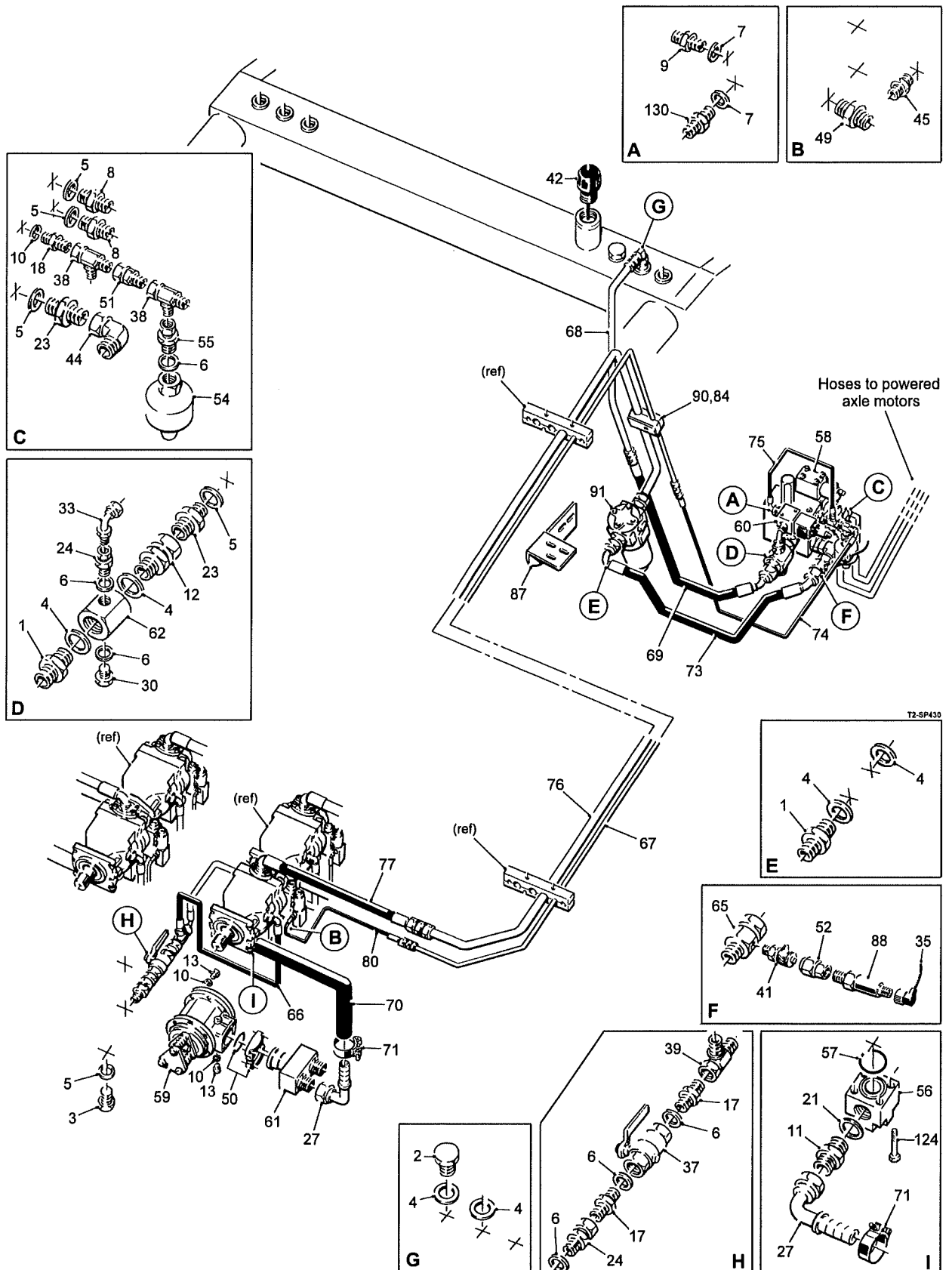
Item	Part No.	Description	Qty.	Remarks
		Components For 8-Stud Wheel Motors Consist Of:		
120	11123	3/4"BSP Dowty Seal	4	
121	11125	3/8"BSP Dowty Seal	2	
122	11295	1/2"BSPx3/4"BSP M M Adaptor	4	
123				
124	26086	1/2"BSP M F Swept 90° Adaptor	4	
125				
126	UC25	3/8"BSPx1/2"BSP M M Adaptor	2	
		Components For 10-Stud Wheel Motors Consist Of:		
130	11123	3/4"BSP Dowty Seal	4	
131	11295	1/2"BSPx3/4"BSP M M Adaptor	4	
132				
133	26086	1/2"BSP M F Swept 90° Adaptor	4	
134				
135	71077	1/2"BSPx3/4"UNF M M Adaptor	2	



Machines from Serial No T2-288

Powered Axle Hydraulics

Assy No 59031B



T2 SPARE PARTS**11.4b**

Machines from Serial No T2-288

Powered Axle Hydraulics**Assy No 59031B**

Item	Part No.	Description	Qty.	Remarks
1	11114	1"BSP M M Adaptor	2	
2	11116	1"BSP Blanking Plug	1	
3	11117	3/4"BSP Blanking Plug	1	
4	11122	1"BSP Dowty Seal	8	
5	11123	3/4"BSP Dowty Seal	19	
6	11124	1/2"BSP Dowty Seal	18	
7	11125	3/8"BSP Dowty Seal	2	
8	11115	3/4"BSP M M Adaptor	2	
9	11336	1/4"BSP x 3/8"BSP M M Adaptor	1	
10	11337	1/4"BSP Dowty Seal	4	
11	11737	1 1/4"BSP x 1 1/2"BSP M M Adaptor	1	
12	11808	1"BSP M F Swivel Adaptor	1	
13	11876/8	1/4"BSP Blanking Plug	2	
14				
15				
16				
17	12315	1/2"BSP M M Adaptor	7	
18	12316	1/4"BSP M M Adaptor	2	
19	12323	1/2"BSP M M M Tee	1	
20	12350	3/4"BSP M F Swept 90° Adaptor	1	
21	12352	1 1/2"BSP Dowty Seal	1	
22	12521	1/2"BSP x 1"BSP M M Adaptor	1	
23	12560	3/4"BSP x 1"BSP M M Adaptor	3	
24	12602	1/2"BSP M F Swivel Adaptor	2	
25				
26				
27	13299	1 1/4"BSP 90° Push-On Adaptor	2	
28				
29				
30	24383	1/2"BSP Blanking Plug	2	
31				
32				
33	26086	1/2"BSP M F Swept 90° Adaptor	1	
34	31099	1/4"BSP M x 1/2"BSP F Swivel Adaptor	1	
35	32037/4	90° Sensor Cable (10m)	1	
36				
37	37019	1/2"BSP Shut-Off Valve	1	
38	37197	1/4"BSP F M M Tee	3	
39	37367	1/2"BSP M F M Tee	4	
40				
41	42305	1/8"BSP Gauge Port	1	
42	42066	Filler Cap c/w Dipstick	1	
43				
44	44179	1"BSP M F Compact 90° Adaptor	1	
45	44198	1/4"BSP x 7/16"UNF M M Adaptor	1	
46	44207	1/4"BSP x M14 M M Adaptor	1	
47	44208	M14 Dowty Seal	1	
48				
49	46303	1/2"BSP x 7/8"UNF M M Adaptor	1	
50	46503	2 1/2" Split Flange Kit c/w 'O'Ring	1	
51	46724	1/4"BSP M F Swivel Adaptor	1	
52	46960	Pressure Gauge Adaptor	1	
53				
54	51585	1/2"BSP Accumulator	1	
55	51588	1/4"BSP F x 1/2"BSP M Swivel Adaptor	1	

Machines from Serial No T2-288

Powered Axle Hydraulics

Assy No 59031B

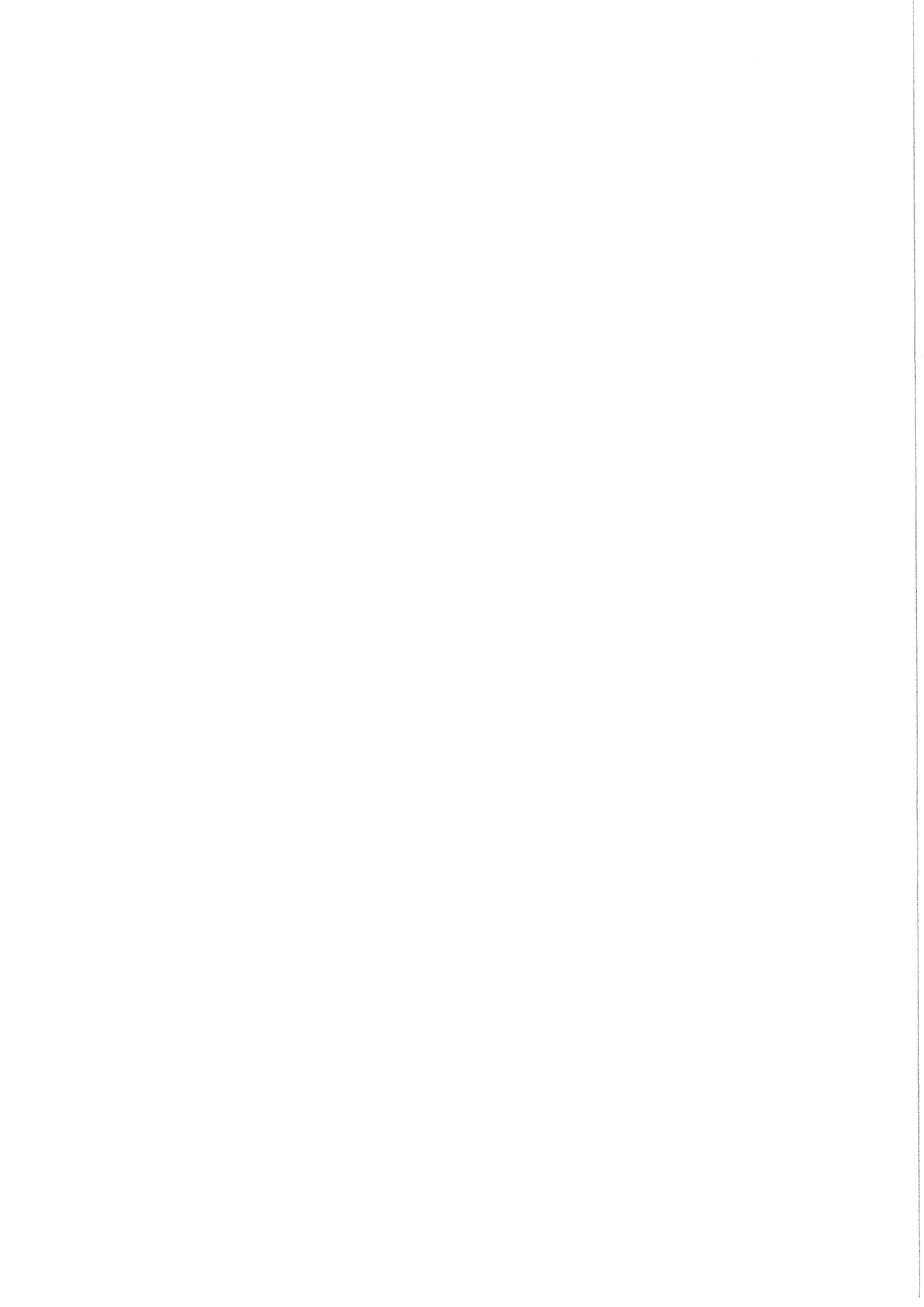
Item	Part No.	Description	Qty.	Remarks
56	56302	Pump Adaptor	1	
57	56637	2" Flange 'O' Ring	1	
58	59107	Valve Block Assembly	1	
59	59178	Suction Filter Complete	1	
60	59205A	Proportional Pressure Valve	1	
61	59262	Suction Manifold	1	
62	59289	Return Manifold	1	
63	59295	Hose Clamp (1/2"-1/2")	2	
64				
65	60161	1"BSP M F Gauge Port	1	
66	60359	1/2"Hose Assembly (700mm)	1	
67	60383	Ø10 Steel Pipe Assembly	1	
68	60396	Ø25 Steel Pipe Assembly	1	
69	60452	1"Hose Assembly (500mm)	1	
70	60453	1 1/4"Suction Hose (430mm)	1	
71	60532	Ø37-40mm Hose Band	2	
72	60571	1/4"Hose Assembly (900mm)	1	
73	60626	1" 5K Hose Assembly (1425mm)	1	
74	60631	1/4" 5K Hose Assembly (650mm)	1	
75	60632	1/4" 5K Hose Assembly (300mm)	1	
76	60664	Ø30 Steel Pipe Assembly	1	
77	60673	1" 5K Hose Assembly (1100mm)	1	
78	60752	1/2" 3K Hose Assembly (4200mm)	1	
79	60847	1/2" 3K Hose Assembly (2950mm)	1	
80	60899	1/4" 5K Hose Assembly (1100mm)	1	
81				
82				
83				
84	61637	Clamp Plate	1	
85				
86	62336A	Hydraulic Valve (1/2"BSP)	1	
87	62567A	LH Filter Mounting	1	
88	62774	Pressure Transmitter (400 Bar)	1	
89	62925	Hose Support Ring	1	
90	62970	Pipe Clamp (10-30)	1	
91	62979	Pressure Filter Complete	1	Element only 37770/1
92	62966	Hose Clamp (3/4"-3/4")	2	
93				
94	70294	Differential Lock Valve	1	
95	70339	Valve Bracket	1	
96	70339A	Valve Plate	1	
97	70348	Manifold	2	
98				
99				
100	71001	1/4" 3K Hose Assembly (5400mm)	1	
101	71081	3/4" 6K Hose Assembly (3000mm)	1	
102	71082	3/4" 6K Hose Assembly (3150mm)	1	
103	71083	5/8" 5K Hose Assembly (2800mm)	1	
104	71084	5/8" 5K Hose Assembly (1300mm)	1	
105	71085	5/8" 5K Hose Assembly (850mm)	2	
106	71086	5/8" 5K Hose Assembly (2500mm)	1	
107	71087	5/8" 5K Hose Assembly (1000mm)	4	
108	71088	5/8" 5K Hose Assembly (2450mm)	1	
109	71089	5/8" 5K Hose Assembly (2500mm)	1	
110	71090	1/2" 3K Hose Assembly (1000mm)	2	

T2 SPARE PARTS**11.4d**

Machines from Serial No T2-288

Powered Axle Hydraulics**Assy No 59031B**

Item	Part No.	Description	Qty.	Remarks
111	71091	1/2" 3K Hose Assembly (700mm)	1	
112	71092	5/8" 5K Hose Assembly (1800mm)	2	
113	71093	1/2" 3K Hose Assembly (1800mm)	1	
114	71122	1/2"BSP x S20 M M Adaptor	6	
115	71119	3/4"BSP x S20 M M Adaptor	13	
116	71121	S20 F M M Tee	3	
117				
118				
119				
120				
121				
122				
123				
124	22028050/325	1/2"UNCx3 1/4"Bolt	4	
125				
126				
127				
128	TBMW338	3/4"BSP M F Swivel Adaptor	1	
129				
130	UC25	3/8"BSP x 1/2"BSP M M Adaptor	1	
		Components For 8-Stud Wheel Motors Consist Of:		
140	11123	3/4"BSP Dowty Seal	4	
141	11125	3/8"BSP Dowty Seal	2	
142				
143	26086	1/2"BSP M F Swept 90°Adaptor	2	
144				
145	71119	3/4"BSP x S20 M M Adaptor	4	
146	71120	S20 M F Compact 90°Adaptor	2	
147				
148	UC25	3/8"BSP x 1/2"BSP M M Adaptor	2	
		Components For 10-Stud Wheel Motors Consist Of:		
152	11123	3/4"BSP Dowty Seal	4	
153				
154	26086	1/2"BSP M F Swept 90°Adaptor	2	
155				
156	71077	1/2"BSPx3/4"UNF M M Adaptor	2	
157				
158	71119	3/4"BSP x S20 M M Adaptor	4	
159	71120	S20 M F Compact 90°Adaptor	2	
160				
161	60643	9/16"UNF Blanking Plug	1	
162	60644	8/16"UNF Dowty Seal	1	



11.5a

T2 SPARE PARTS

Machines from 2021

Web Hydraulics

Assy No 59032B

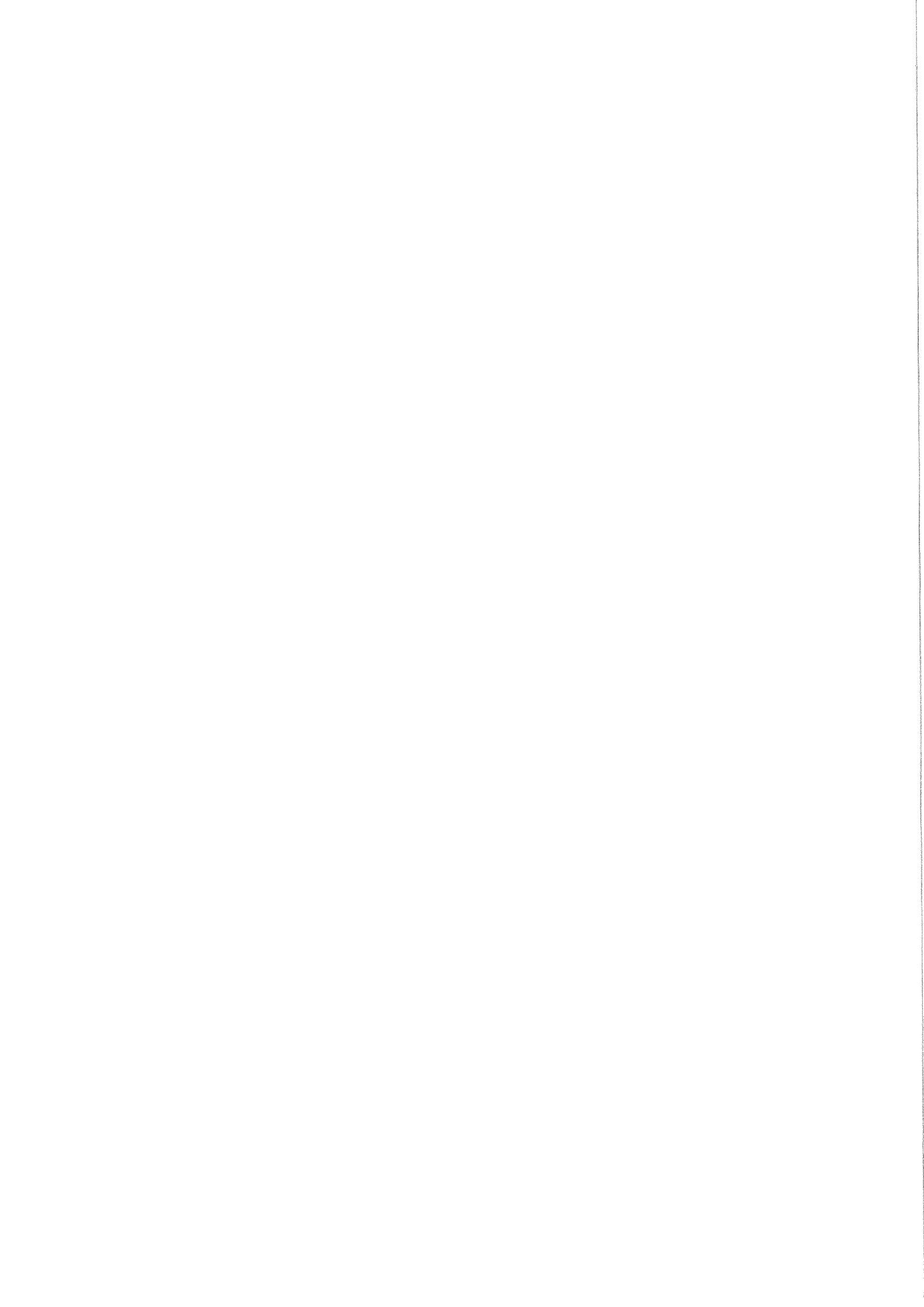
Item	Part No.	Description	Qty.	Remarks
1	11114	1"BSP M M Adaptor	4	
2	11122	1"BSP Dowty Seal	7	
3	11124	1/2"BSP Dowty Seal	24	
4	11295	1/2"BSPx3/4"BSP M M Adaptor	12	
5	11337	1/4"BSP Dowty Seal	3	
6	11737	1 1/4"BSPx1 1/2"BSP M M Adaptor	1	
7	11808	1"BSP M F Swivel Adaptor	1	
8	11876/8	1/4"BSP Blanking Plug	2	
9	11744	3/4" Hose Assembly (1400mm)	1	
10				
11	12315	1/2"BSP M M Adaptor	13	
12	12316	1/4"BSP M M Adaptor	1	
13	12348	1/2"Hose Assembly (1000mm)	1	
14				
15	12352	1 1/2"BSP Dowty Seal	1	
16	12602	1/2"BSP M F Swivel Adaptor	1	
17				
18				
19	13299	1 1/4"BSP 90°Push On Adaptor	2	
20				
21	24383	1/2"BSP Blanking Plug	1	
22	26086	1/2"BSP M F Swept 90°Adaptor	1	
23	27459	M18x1/2"BSP M M Adaptor	2	
24	27461	M18 Dowty Seal	2	
25	27904	M22x3/4"BSP M M Adaptor	2	
26				
27				
28	31167	M22 Dowty Seal	2	
29	32512	3/4"BSP M M F Tee	1	
30	32037/2	90°Sensor Cable (5m)	1	
31	37019	1/2"BSP Shut-off Valve	1	
32	37367	1/2"BSP M F M Tee	1	
33	37199	1/4"BSP M M F Tee	1	
34				
35	42305	1/8"BSP Gauge Port	1	
36	44195	1/4"Hose Assembly (650mm)	1	
37	44198	1/4"BSPx7/16"UNF M M Adaptor	1	
38	46270	3/4" Hose Assembly (850mm)	1	
39	46303	1/2"BSPx7/8"UNF M M Adaptor	1	
40	46503	2 1/2" Split Flange Kit c/w O' Ring	1	
41	46620	1/2"Hose Assembly (450mm)	1	
42	46960	Pressure Gauge Adaptor	1	
43				
44				
45	51270	Pressure Transmitter	1	
46	51585	1/2"BSP Accumulator	1	
47	51588	1/4"BSPFx1/2"BSP M Swivel Adaptor	1	
48				
49				
50	56116C	Tandem Hydraulic Pump Assembly	1	Prior to T2-264 was 56116
51	56302	Pump Adaptor	1	
52	56619	Valve Block Assembly	1	
53	56637	2"Flange O' Ring	1	
54				
55				

T2 SPARE PARTS**11.5b**

Machines from 2021

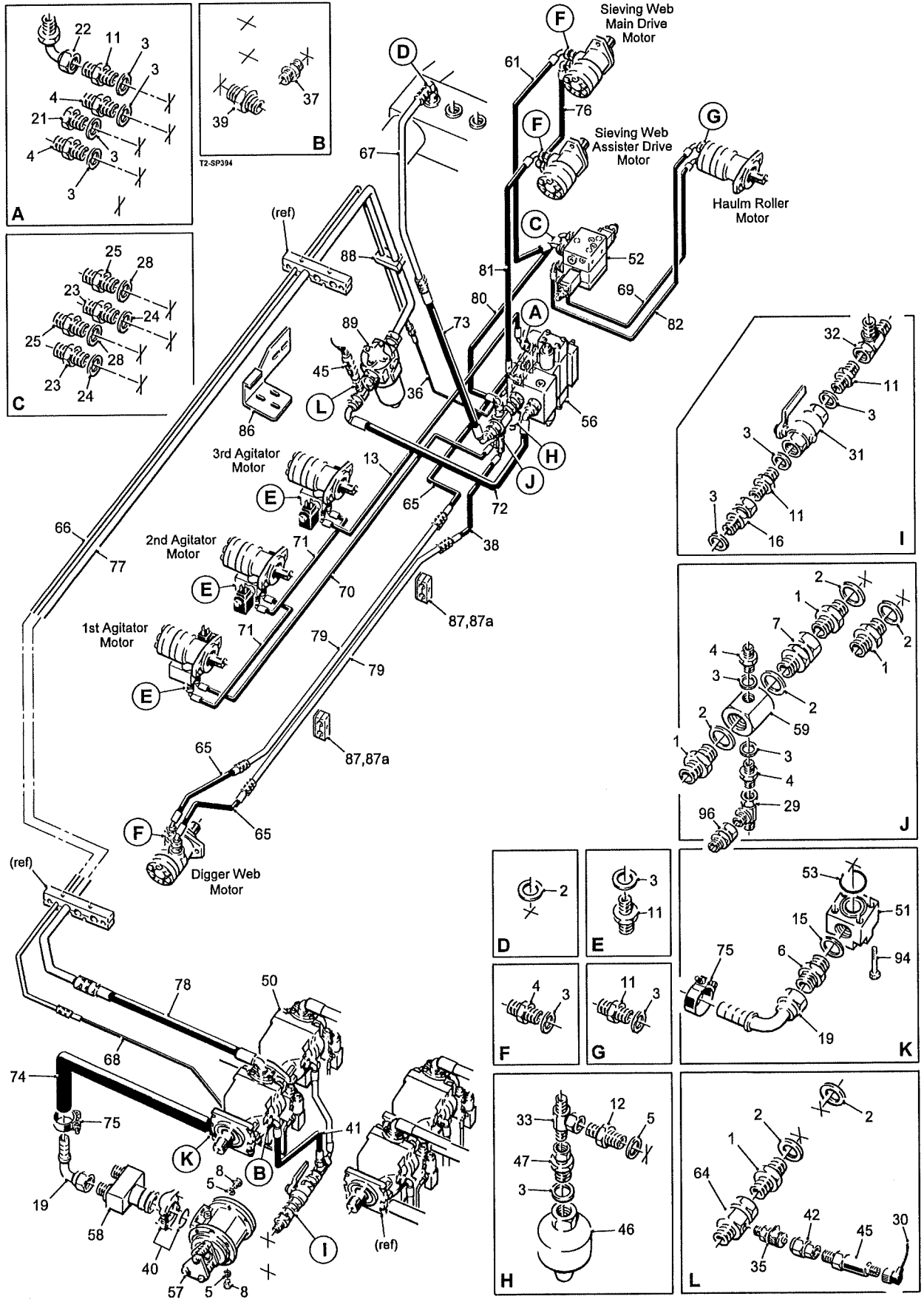
Web Hydraulics**Assy No 59032B**

Item	Part No.	Description	Qty.	Remarks
56	59105	Valve Block Assembly	1	
57	59178	Suction Filter Complete	1	
58	59262	Suction Manifold	1	
59	59289	Return Manifold	1	
60				
61	60660	3/4" Hose Assembly (2200mm)	1	
62	60980	3/4" Hose Assembly (1000mm)	1	
63	60981	3/4" Hose Assembly (1050mm)	1	
64	60161	1"BSP M F Gauge Port	1	
65	60992	3/4" Hose Assembly (750mm)	3	
66	60381	Ø10 Steel Pipe Assembly	1	
67	60396	Ø25 Steel Pipe Assembly	1	
68	46253	1/4"Hose Assembly (1300mm)	1	
69	60900	1/2"Hose Assembly (850mm)	1	
70	60425	1/2"Hose Assembly (1800mm)	1	
71	60438	1/2"Hose Assembly (600mm)	2	
72	60444	1"Hose Assembly (1425mm)	1	
73	60451	1"Hose Assembly (445mm)	1	
74	60453	1 1/4"Suction Hose (430mm)	1	
75	60532	Ø37-40mm Hose Band	2	
76	60661	3/4"Hose Assembly (500mm)	2	
77	60665	Ø30 Steel Pipe Assembly	1	
78	60668	1"Hose Assembly (1300mm)	1	
79	60962	Ø25 Steel Pipe Assembly	2	Was hose 60674
80	60901	3/4"Hose Assembly (1100mm)	1	
81	60360	3/4"Hose Assembly (1350mm)	1	
82	60724	1/2"Hose Assembly (950mm)	1	
83	60960	Ø25 Steel Pipe Assembly	1	Was hose 60902
84	60961	Ø25 Steel Pipe Assembly	1	Was hose 60903
85				
86	64356	RH Filter Mount / Latch point	1	
87	RPC654.300948/2	Pipe Clamp (25-25)	4 pair	Was 62966
87a	RPC654.300948/3	Clamp Plate	4	
88	62970	Pipe Clamp (10-30)	2 pair	
89	62979	Pressure Filter Complete	1	Element only 37770/1
90				
91				
92				
93				
94	22028050/325	1/2"UNCx3 1/4"Bolt	4	
95				
96	TBMW659	1/2"BSP Mx3/4"BSPF Swivel Adaptor	1	



Machines from Serial No T2-272

Web Hydraulics Assy No 59032B



11.5a

T2 SPARE PARTS

Machines from Serial No T2-272

Web Hydraulics

Assy No 59032B

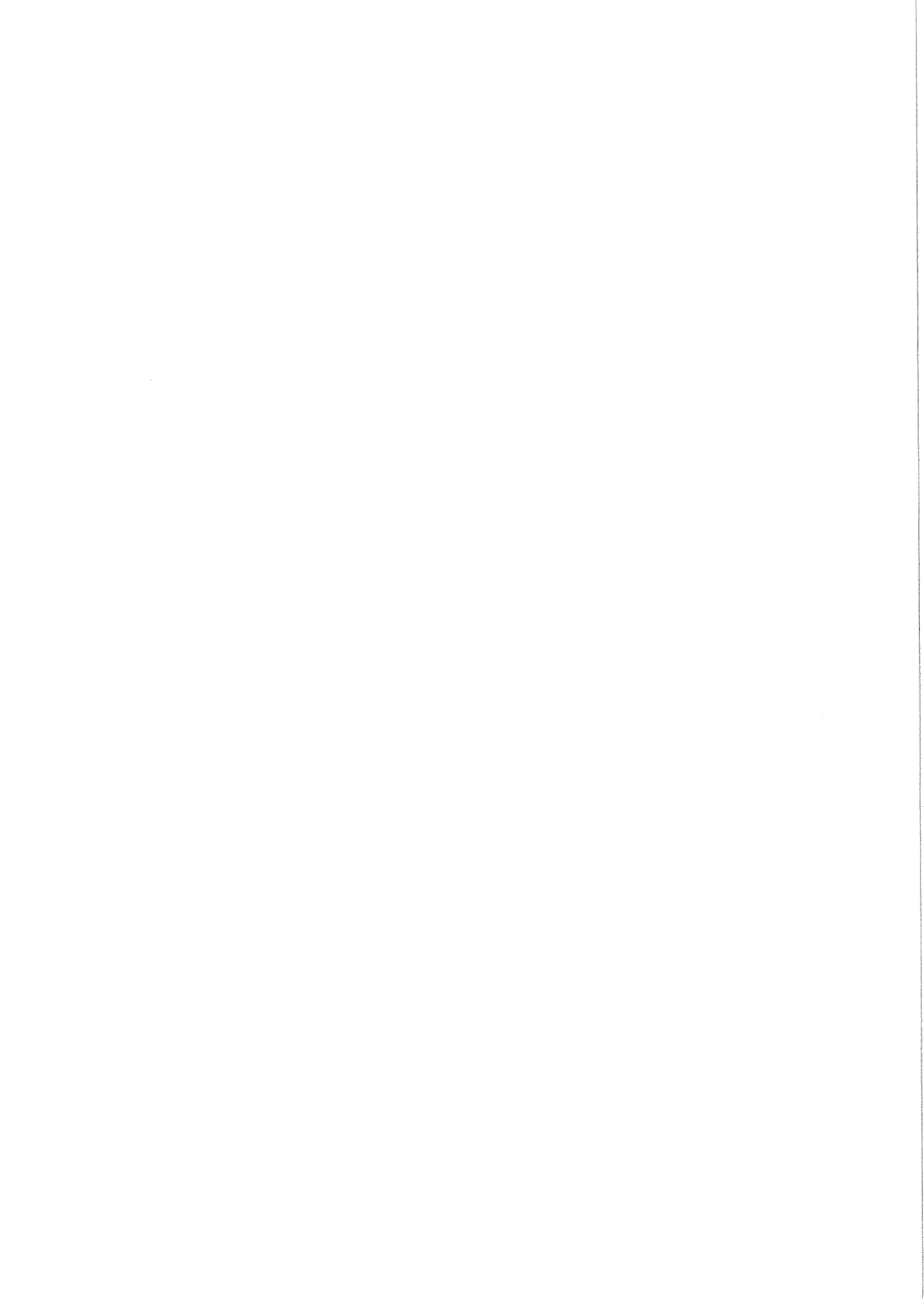
Item	Part No.	Description	Qty.	Remarks
1	11114	1"BSP M M Adaptor	4	
2	11122	1"BSP Dowty Seal	7	
3	11124	1/2"BSP Dowty Seal	22	
4	11295	1/2"BSPx3/4"BSP M M Adaptor	10	
5	11337	1/4"BSP Dowty Seal	3	
6	11737	1 1/4"BSPx1 1/2"BSP M M Adaptor	1	
7	11808	1"BSP M F Swivel Adaptor	1	
8	11876/8	1/4"BSP Blanking Plug	2	
9				
10				
11	12315	1/2"BSP M M Adaptor	13	
12	12316	1/4"BSP M M Adaptor	1	
13	12348	1/2"Hose Assembly (1000mm)	1	
14				
15	12352	1 1/2"BSP Dowty Seal	1	
16	12602	1/2"BSP M F Swivel Adaptor	1	
17				
18				
19	13299	1 1/4"BSP 90°Push On Adaptor	2	
20				
21	24383	1/2"BSP Blanking Plug	1	
22	26086	1/2"BSP M F Swept 90°Adaptor	1	
23	27459	M18x1/2"BSP M M Adaptor	2	
24	27461	M18 Dowty Seal	2	
25	27904	M22x3/4"BSP M M Adaptor	2	
26				
27				
28	31167	M22 Dowty Seal	2	
29	32512	3/4"BSP M M F Tee	1	
30	32037/2	90°Sensor Cable (5m)	1	
31	37019	1/2"BSP Shut-off Valve	1	
32	37367	1/2"BSP M F M Tee	1	
33	37199	1/4"BSP M M F Tee	1	
34				
35	42305	1/8"BSP Gauge Port	1	
36	44195	1/4"Hose Assembly (650mm)	1	
37	44198	1/4"BSPx7/16"UNF M M Adaptor	1	
38	46270	3/4" Hose Assembly (850mm)	1	
39	46303	1/2"BSPx7/8"UNF M M Adaptor	1	
40	46503	2 1/2" Split Flange Kit c/w O' Ring	1	
41	46620	1/2"Hose Assembly (450mm)	1	
42	46960	Pressure Gauge Adaptor	1	
43				
44				
45	51270	Pressure Transmitter	1	
46	51585	1/2"BSP Accumulator	1	
47	51588	1/4"BSPFx1/2"BSP M Swivel Adaptor	1	
48				
49				
50	56116C	Tandem Hydraulic Pump Assembly	1	
51	56302	Pump Adaptor	1	
52	56619	Valve Block Assembly	1	
53	56637	2"Flange O' Ring	1	
54				
55				

T2 SPARE PARTS**11.5b**

Machines from Serial No T2-272

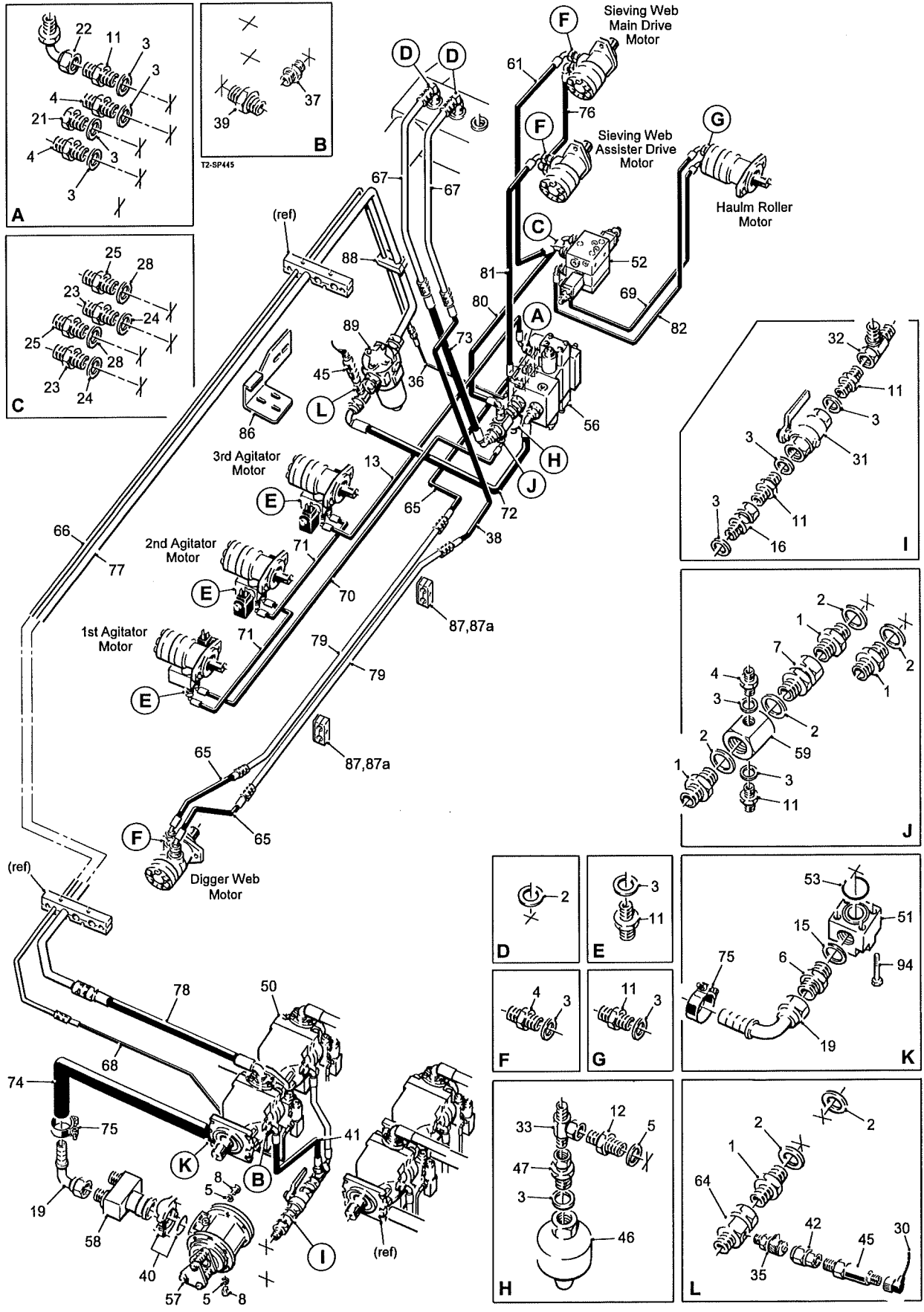
Web Hydraulics**Assy No 59032B**

Item	Part No.	Description	Qty.	Remarks
56	59105	Valve Block Assembly	1	
57	59178	Suction Filter Complete	1	
58	59262	Suction Manifold	1	
59	59289	Return Manifold	1	
60				
61	71027	3/4" Hose Assembly (900mm)	1	
62				
63				
64	60161	1"BSP M F Gauge Port	1	
65	60992	3/4" Hose Assembly (750mm)	3	
66	60381	Ø10 Steel Pipe Assembly	1	
67	60396	Ø25 Steel Pipe Assembly	1	
68	46253	1/4"Hose Assembly (1300mm)	1	
69	60900	1/2"Hose Assembly (850mm)	1	
70	60425	1/2"Hose Assembly (1800mm)	1	
71	60438	1/2"Hose Assembly (600mm)	2	
72	60444	1"Hose Assembly (1425mm)	1	
73	60451	1"Hose Assembly (445mm)	1	
74	60453	1 1/4"Suction Hose (430mm)	1	
75	60532	Ø37-40mm Hose Band	2	
76	60661	3/4"Hose Assembly (500mm)	2	
77	60665	Ø30 Steel Pipe Assembly	1	
78	60668	1"Hose Assembly (1300mm)	1	
79	60962	Ø25 Steel Pipe Assembly	2	
80	60901	3/4"Hose Assembly (1100mm)	1	
81	60360	3/4"Hose Assembly (1350mm)	1	
82	60724	1/2"Hose Assembly (950mm)	1	
83				
84				
85				
86	64356	RH Filter Mount / Latch point	1	
87	RPC654.300948/2	Pipe Clamp (25-25)	2 pair	
87a	RPC654.300948/3	Clamp Plate	2	
88	62970	Pipe Clamp (10-30)	2 pair	
89	62979	Pressure Filter Complete	1	Element only 37770/1
90				
91				
92				
93				
94	22028050/325	1/2"UNCx3 1/4"Bolt	4	
95				
96	TBMW659	1/2"BSP Mx3/4"BSPF Swivel Adaptor	1	



Machines from Serial No T2-288

Web Hydraulics Assy No 59032C



11.5a

T2 SPARE PARTS

Machines from Serial No T2-288

Web Hydraulics

Assy No 59032C

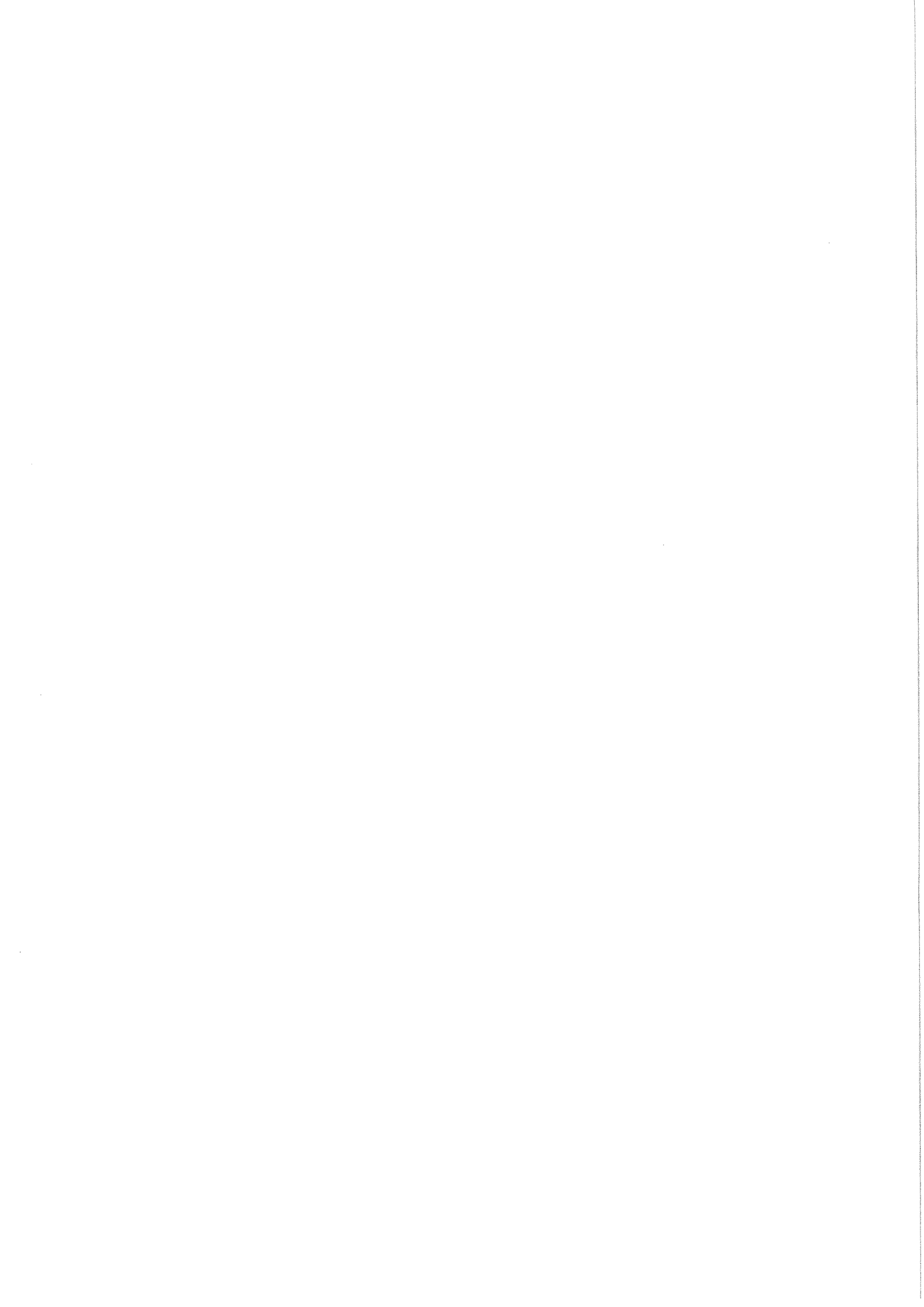
Item	Part No.	Description	Qty.	Remarks
1	11114	1"BSP M M Adaptor	4	
2	11122	1"BSP Dowty Seal	7	
3	11124	1/2"BSP Dowty Seal	22	
4	11295	1/2"BSPx3/4"BSP M M Adaptor	9	
5	11337	1/4"BSP Dowty Seal	3	
6	11737	1 1/4"BSPx1 1/2"BSP M M Adaptor	1	
7	11808	1"BSP M F Swivel Adaptor	1	
8	11876/8	1/4"BSP Blanking Plug	2	
9				
10				
11	12315	1/2"BSP M M Adaptor	14	
12	12316	1/4"BSP M M Adaptor	1	
13	12348	1/2"Hose Assembly (1000mm)	1	
14				
15	12352	1 1/2"BSP Dowty Seal	1	
16	12602	1/2"BSP M F Swivel Adaptor	1	
17				
18				
19	13299	1 1/4"BSP 90°Push On Adaptor	2	
20				
21	24383	1/2"BSP Blanking Plug	1	
22	26086	1/2"BSP M F Swept 90°Adaptor	1	
23	27459	M18x1/2"BSP M M Adaptor	2	
24	27461	M18 Dowty Seal	2	
25	27904	M22x3/4"BSP M M Adaptor	2	
26				
27				
28	31167	M22 Dowty Seal	2	
29				
30	32037/2	90°Sensor Cable (5m)	1	
31	37019	1/2"BSP Shut-off Valve	1	
32	37367	1/2"BSP M F M Tee	1	
33	37199	1/4"BSP M M F Tee	1	
34				
35	42305	1/8"BSP Gauge Port	1	
36	44195	1/4"Hose Assembly (650mm)	1	
37	44198	1/4"BSPx7/16"UNF M M Adaptor	1	
38	71131	3/4" Hose Assembly (1400mm)	1	Was 46270
39	46303	1/2"BSPx7/8"UNF M M Adaptor	1	
40	46503	2 1/2" Split Flange Kit c/w O' Ring	1	
41	46620	1/2"Hose Assembly (450mm)	1	
42	46960	Pressure Gauge Adaptor	1	
43				
44				
45	51270	Pressure Transmitter	1	
46	51585	1/2"BSP Accumulator	1	
47	51588	1/4"BSPFx1/2"BSP M Swivel Adaptor	1	
48				
49				
50	56116C	Tandem Hydraulic Pump Assembly	1	
51	56302	Pump Adaptor	1	
52	56619	Valve Block Assembly	1	
53	56637	2"Flange O' Ring	1	
54				
55				

T2 SPARE PARTS**11.5b**

Machines from Serial No T2-288

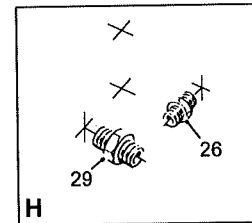
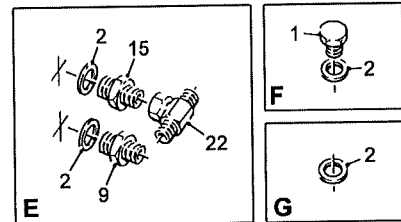
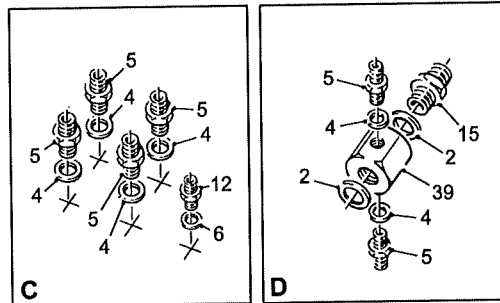
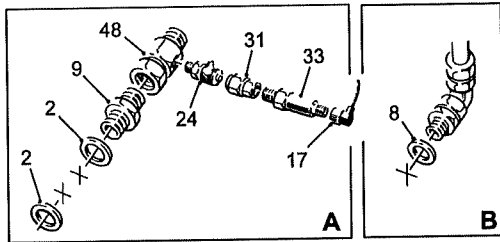
Web Hydraulics**Assy No 59032C**

Item	Part No.	Description	Qty.	Remarks
56	59105	Valve Block Assembly	1	
57	59178	Suction Filter Complete	1	
58	59262	Suction Manifold	1	
59	59289	Return Manifold	1	
60				
61	71027	3/4" Hose Assembly (900mm)	1	
62				
63				
64	60161	1"BSP M F Gauge Port	1	
65	60992	3/4" Hose Assembly (750mm)	3	
66	60381	Ø10 Steel Pipe Assembly	1	
67	60396	Ø25 Steel Pipe Assembly	2	Was Qty. x1
68	60407	1/4"Hose Assembly (1100mm)	1	
69	60900	1/2"Hose Assembly (850mm)	1	
70	60425	1/2"Hose Assembly (1800mm)	1	
71	60438	1/2"Hose Assembly (600mm)	2	
72	60444	1"Hose Assembly (1425mm)	1	
73	60451	1"Hose Assembly (445mm)	1	
74	60453	1 1/4"Suction Hose (430mm)	1	
75	60532	Ø37-40mm Hose Band	2	
76	60661	3/4"Hose Assembly (500mm)	2	
77	60665	Ø30 Steel Pipe Assembly	1	
78	60672	1"Hose Assembly (1100mm)	1	
79	60962	Ø25 Steel Pipe Assembly	2	
80	60901	3/4"Hose Assembly (1100mm)	1	
81	60360	3/4"Hose Assembly (1350mm)	1	
82	60724	1/2"Hose Assembly (950mm)	1	
83				
84				
85				
86	64356	RH Filter Mount / Latch point	1	
87	RPC654.300948/2	Pipe Clamp (25-25)	2 pair	
87a	RPC654.300948/3	Clamp Plate	2	
88	62970	Pipe Clamp (10-30)	2 pair	
89	62979	Pressure Filter Complete	1	Element only 37770/1
90				
91				
92				
93				
94	22028050/325	1/2"UNCx3 1/4"Bolt	4	

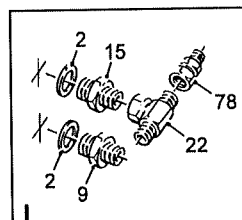
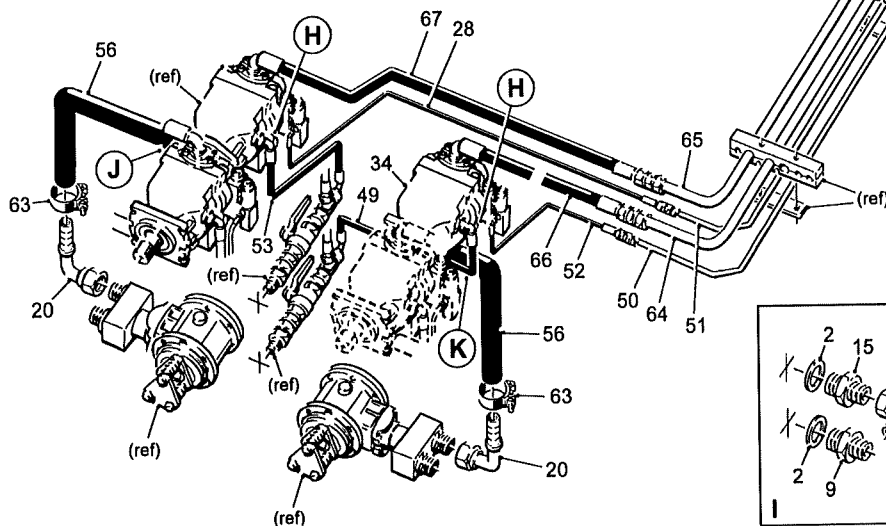
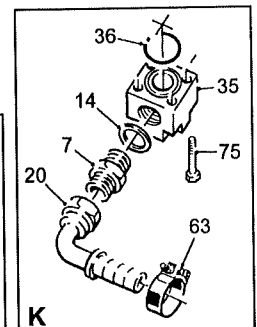
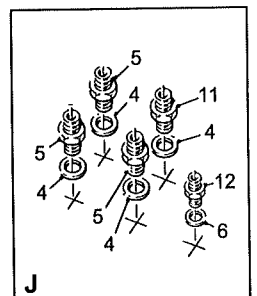
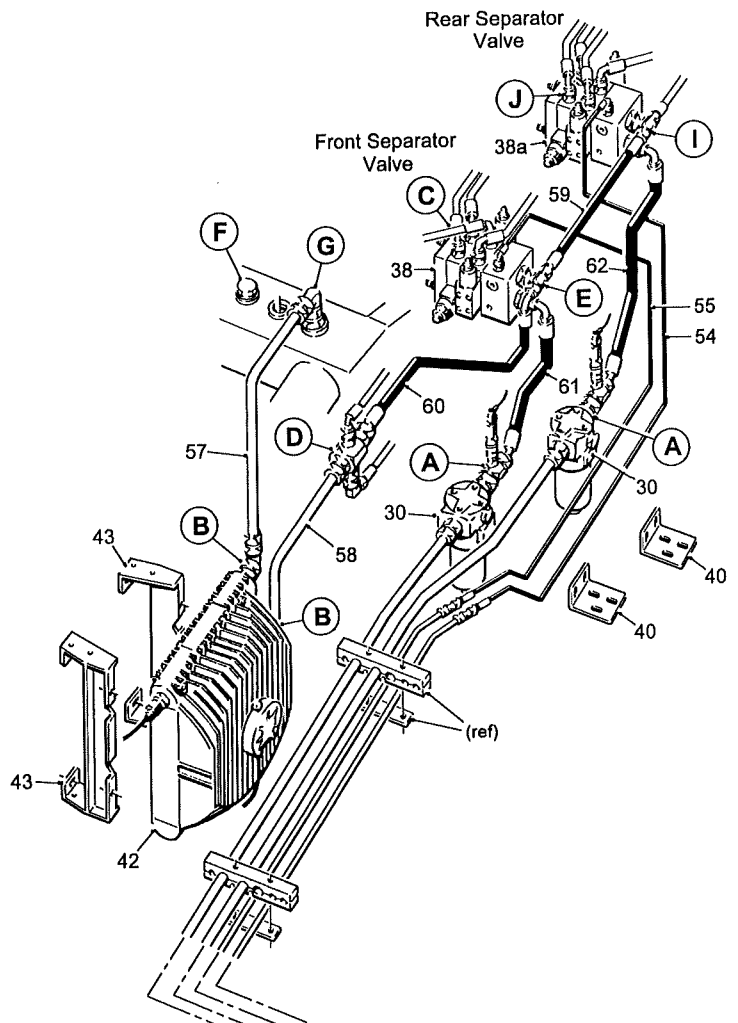


Machines from 2021

Separator Hydraulics Assy No 59049B



T2-SF350



11.6a**T2 SPARE PARTS**

Machines from 2021

Separator Hydraulics

Assy No 59049B

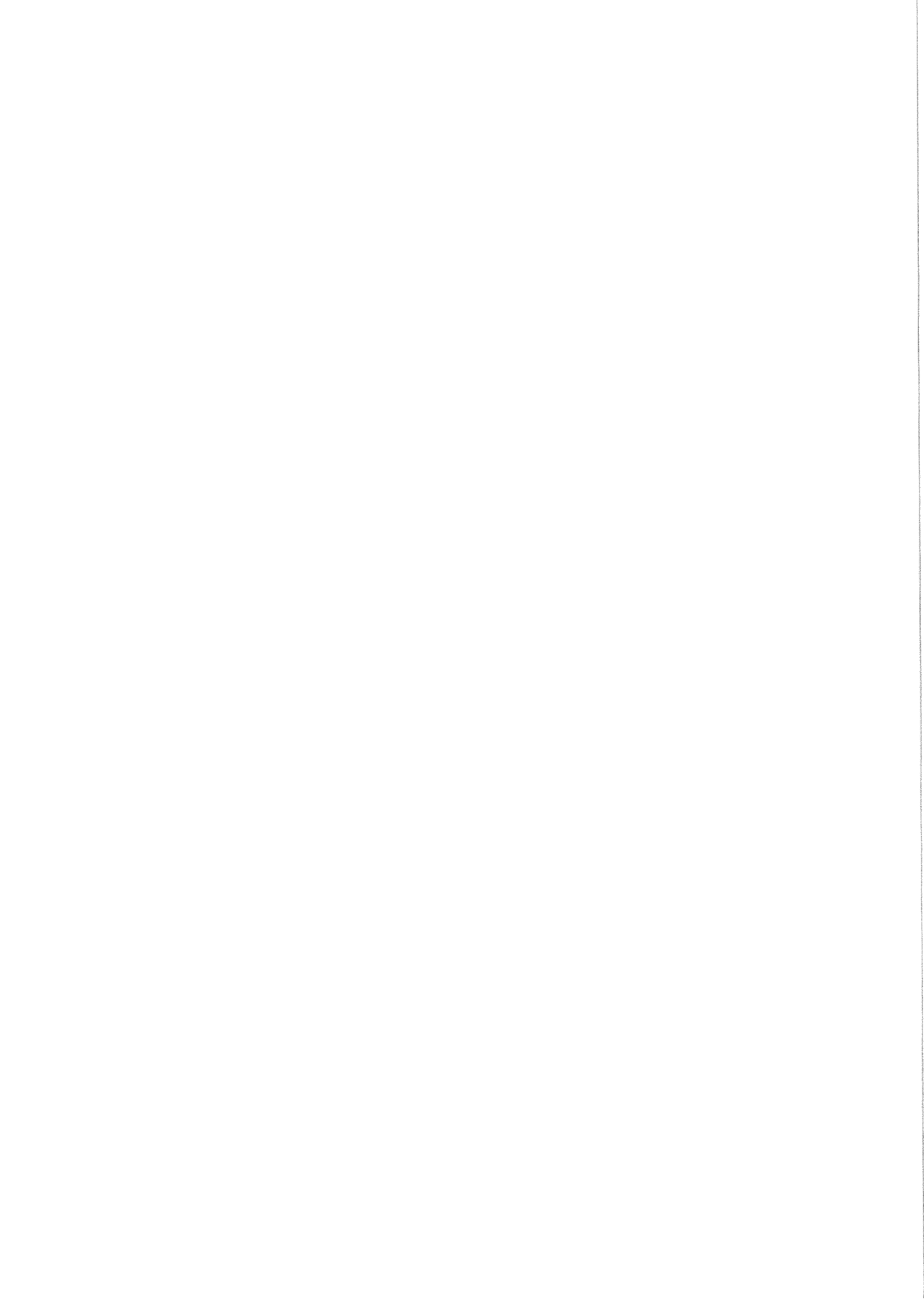
Item	Part No.	Description	Qty.	Remarks
1	11116	1"BSP Blanking Plug	1	
2	11122	1"BSP Dowty Seal	12	
3	11808	1"BSP M F Swivel Adaptor	1	
4	11124	1/2"BSP Dowty Seal	10	
5	11295	1/2"BSPx3/4"BSP M M Adaptor	9	
6	11337	1/4"BSP Dowty Seal	2	
7	11737	1 1/4"BSPx1 1/2"BSP M M Adaptor	2	
8	11740	1 1/4"BSP Dowty Seal	2	
9	11114	1"BSP M M Adaptor	4	
10				
11	12315	1/2"BSP M M Adaptor	1	
12	12316	1/4"BSP M M Adaptor	2	
13				
14	12352	1 1/2"BSP Dowty Seal	2	
15	12560	3/4"BSPx1"BSP M M Adaptor	3	
16				
17	32037/2	90°Sensor Cable (5m)	1	
18				
19				
20	13299	1 1/4"BSP 90°Push On Adaptor	4	
21				
22	27811	3/4"BSP M M F Tee	2	
23				
24	42305	1/8"BSP Gauge Port	2	
25				
26	44198	1/4"BSPx7/16"UNF M M Adaptor	2	
27				
28	46253	1/4"Hose Assembly (1300mm)	1	
29	46303	1/2"BSPx7/8"UNF M M Adaptor	2	
30	62979	Pressure Filter Complete	2	Element only 37770/1
31	46960	Pressure Gauge Adaptor	2	
32				
33	51270	Pressure Transmitter	2	
34	56116	Tandem Hydraulic Pump Assembly	1	Single pump 56116A
35	56302	Pump Adaptor	2	
36	56637	2"Flange O' Ring	2	
37				
38	59106	Front Valve Block Assembly	1	Double Omega
	59106A	Front Valve Block Assembly	1	Omega - Roller table
38a	59106	Rear Valve Block Assembly	1	
39	59289	Return Manifold	1	
40	64828	Filter Mounting	2	
41				
42	59344	Oil Cooler Complete	1	Thermostat only 59344/1
43	59437	Mounting Bracket	2	
44				
45				
46				
47				
48	60161	1"BSP M F Gauge Port	2	
49	60359	1/2"Hose Assembly (700mm)	1	
50	60386	Ø10 Steel Pipe Assembly	1	
51	60387	Ø10 Steel Pipe Assembly	1	

T2 SPARE PARTS**11.6b**

Machines from 2021

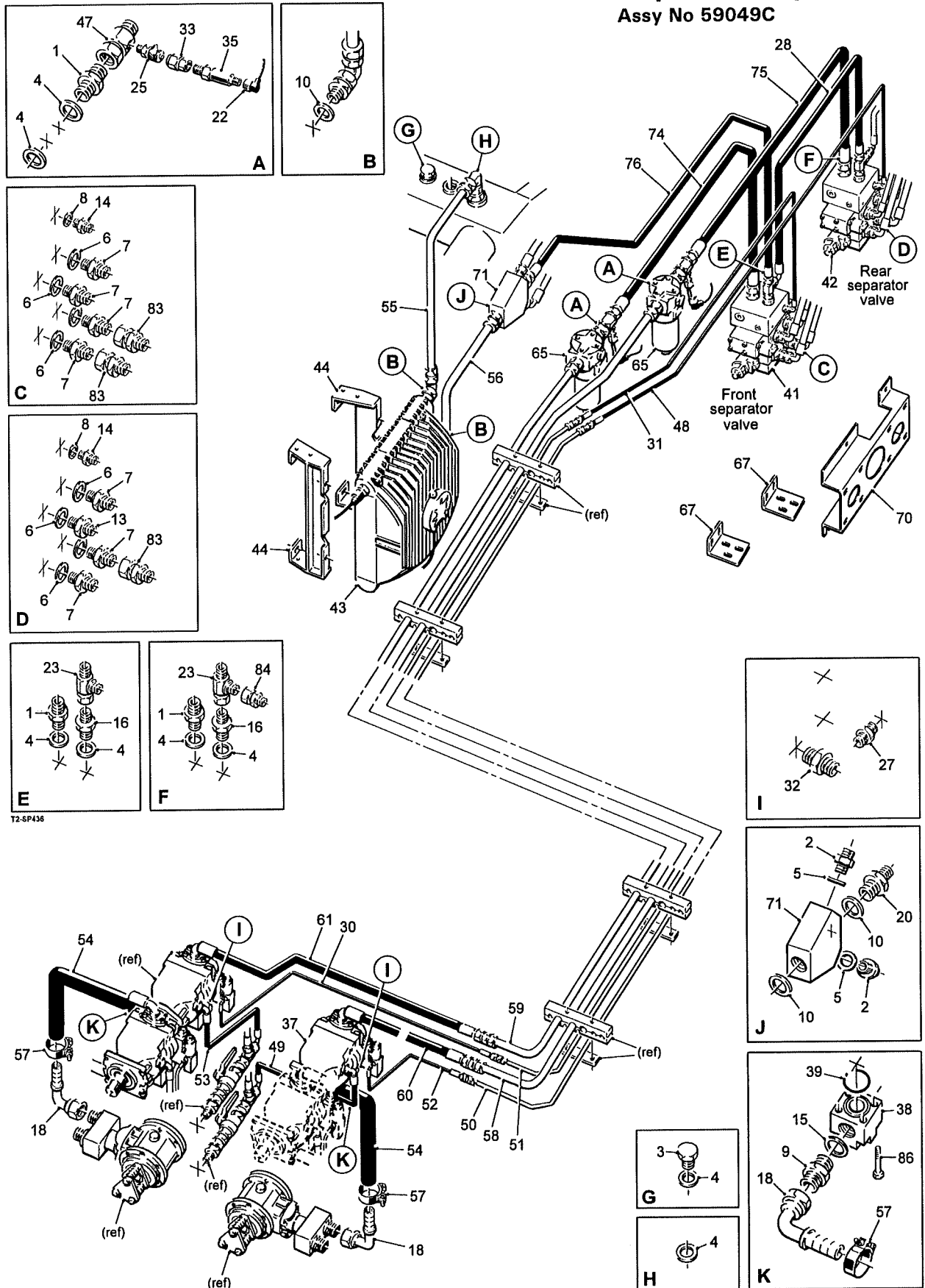
Separator Hydraulics**Assy No 59049B**

Item	Part No.	Description	Qty.	Remarks
52	60406	1/4"Hose Assembly (1200mm)	1	
53	60409	1/2"Hose Assembly (300mm)	1	
54	60932	1/4"Hose Assembly (2700mm)	1	
55	60933	1/4"Hose Assembly (1850mm)	1	
56	60454	1 1/4"Suction Hose (500mm)	2	
57	60459	Ø25 Steel Pipe Assembly	1	
58	60460	Ø25 Steel Pipe Assembly	1	
59	60908	3/4"Hose Assembly (850mm)	1	
60	60911	3/4"Hose Assembly (900mm)	1	
61	60887	1"Hose Assembly (850mm)	1	Was 60930
62	60931	1"Hose Assembly (1300mm)	1	
63	60532	Ø37-40mm Hose Band	4	
64	60666	Ø30 Steel Pipe Assembly	1	
65	60667	Ø30 Steel Pipe Assembly	1	
66	60668	1"Hose Assembly (1300mm)	1	
67	60669	1"Hose Assembly (1400mm)	1	
68				
69				
70				
71				
72				
73				
74				
75	22028050/325	1/2"UNCx3 1/4"Bolt	8	
76				
77				
78	TBMW659	1/2"BSP Mx3/4"BSPF Swivel Adaptor	1	



Machines from Serial No T2-288

Separator Hydraulics Assy No 59049C



11.6a

T2 SPARE PARTS

Machines from Serial No T2-288

Separator Hydraulics

Assy No 59049C

Item	Part No.	Description	Qty.	Remarks
1	11114	1"BSP M M Adaptor	3	
2	11115	3/4"BSP M M Adaptor	2	
3	11116	1"BSP Blanking Plug	1	
4	11122	1"BSP Dowty Seal	10	
5	11123	3/4"BSP Dowty Seal	2	
6	11124	1/2"BSP Dowty Seal	8	
7	11295	1/2"BSPx3/4"BSP M M Adaptor	7	
8	11337	1/4"BSP Dowty Seal	2	
9	11737	1 1/4"BSPx1 1/2"BSP M M Adaptor	2	
10	11740	1 1/4"BSP Dowty Seal	4	
11				
12				
13	12315	1/2"BSP M M Adaptor	1	
14	12316	1/4"BSP M M Adaptor	2	
15	12352	1 1/2"BSP Dowty Seal	2	
16	12560	3/4"BSPx1"BSP M M Adaptor	2	
17				
18	13299	1 1/4"BSP 90°Push On Adaptor	4	
19				
20	23583	3/4"BSPx1 1/4"BSP M M Adaptor	1	
21				
22	32037/2	Sensor Cable 90° (5m)	2	
23	32512	3/4"BSP F M M Tee	2	
24				
25	42305	1/8"BSP Gauge Port	2	
26				
27	44198	1/4"BSPx7/16"UNF M M Adaptor	2	
28	44272	3/4"Hose Assembly (900mm)	1	
29				
30	46253	1/4"Hose Assembly (1300mm)	1	
31	46300	1/4"Hose Assembly (1400mm)	1	
32	46303	1/2"BSPx7/8"UNF M M Adaptor	2	
33	46960	Pressure Gauge Adaptor	2	
34				
35	51270	Pressure Transmitter	2	
36				
37	56116	Tandem Hydraulic Pump Assembly	1	Single pump 56116A
38	56302	Pump Adaptor	2	
39	56637	2"Flange 'O' Ring	2	
40				
41	59106	Front Valve Block Assembly	1	Double Omega
	59106A	Front Valve Block Assembly	1	Omega - Roller table
42	59106	Rear Valve Block Assembly	1	
43	59344	Oil Cooler Complete	1	Thermostat only 59344/1
44	59437	Mounting Bracket	2	
45				
46				
47	60161	1"BSP M F Gauge Port	2	
48	60198	1/4"Hose Assembly (2100mm)	1	
49	60359	1/2"Hose Assembly (700mm)	1	
50	60386	Ø10 Steel Pipe Assembly	1	
51	60387	Ø10 Steel Pipe Assembly	1	

T2 SPARE PARTS**11.6b**

Machines from Serial No T2-288

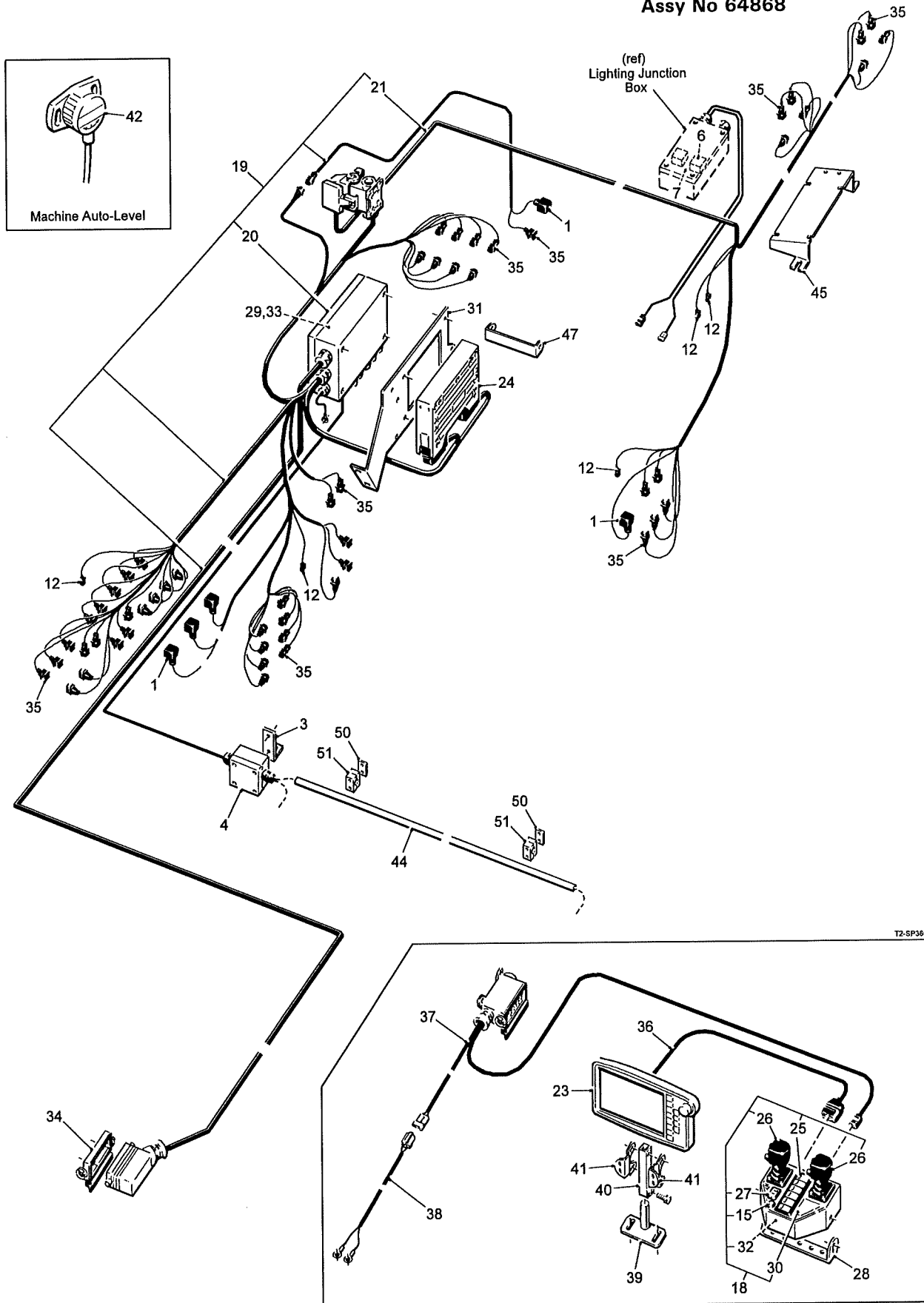
Separator Hydraulics**Assy No 59049C**

Item	Part No.	Description	Qty.	Remarks
52	60406	1/4"Hose Assembly (1200mm)	1	
53	60409	1/2"Hose Assembly (300mm)	1	
54	60454	1 1/4"Suction Hose (500mm)	2	
55	60459	Ø25 Steel Pipe Assembly	1	
56	60460	Ø30 Steel Pipe Assembly	1	Was Ø25
57	60532	Ø37-40mm Hose Band	4	
58	60666	Ø30 Steel Pipe Assembly	1	
59	60667	Ø30 Steel Pipe Assembly	1	
60	60668	1"Hose Assembly (1300mm)	1	
61	60669	1"Hose Assembly (1400mm)	1	
62				
63				
64				
65	62979	Pressure Filter Complete	2	Element only 37770/1
66				
67	64828	Filter Mounting	2	
68				
69				
70	70332	Valve Block Mounting	1	
71	70352	Return Manifold	1	
72				
73				
74	71106	1"Hose Assembly (600mm)	1	
75	71107	1"Hose Assembly (750mm)	1	
76	71108	3/4"Hose Assembly (800mm)	1	
77				
78				
79				
80				
81				
82				
83	TBMW338	3/4"BSP M F Swivel Adaptor	3	
84	TBMW659	1/2"BSP Mx3/4"BSPF Swivel Adaptor	1	
85				
86	22028050/325	1/2"UNCx3 1/4"Bolt	8	



Machines from 2021

Electrical Assembly Assy No 64868



11.9a

T2 SPARE PARTS

Machines from 2021

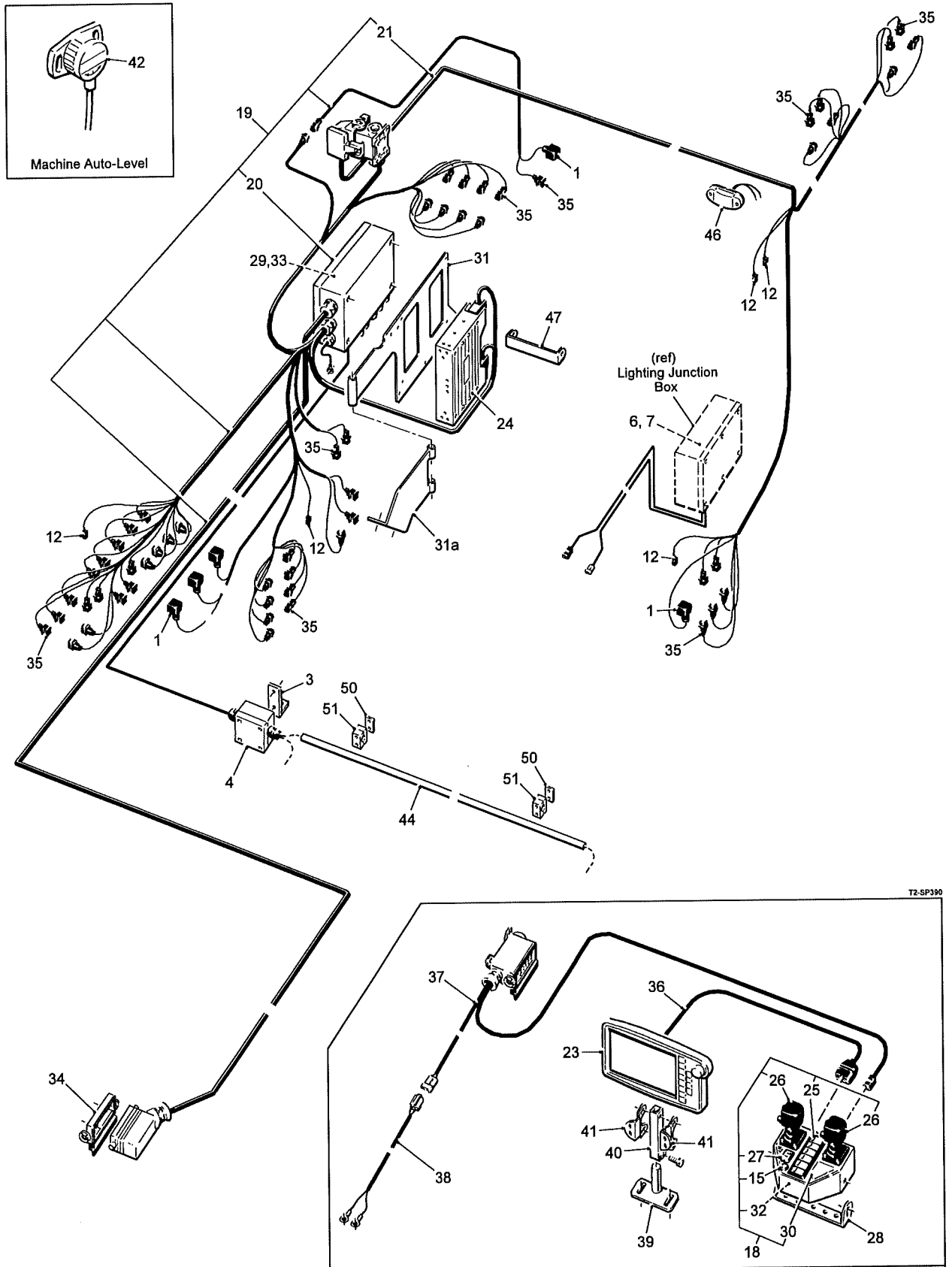
Electrical Assembly

Assy No 64868

Item	Part No.	Description	Qty.	Remarks
1	27189	Hirschman Plug	a/r	
2				
3	46940	Junction Box Mounting Bracket	1	
4	46892	Junction Box	1	
5				
6	51240	Oil Cooler Relay	1	
7	51247	25 Amp Fuse	2	
8				
9				
10				
11				
12	54220	2 Way Female Connector	5	
13				
14				
15	57243	Green Push Button Switch	1	
16				
17				
18	59046	Slave Box Complete	1	
19	64869	Machine Loom Complete	1	
20	59047/1	Distribution Box and Loom	1	
21	59047/2	LH Loom	1	
22				
23	59231	Touch-Screen Monitor	1	
24	59232	C/ESX-3XL-A Controller	1	
25	59239	Rocker Switch Bank Assembly	1	
26	59240	Joystick	2	
27	59241	Rocker Switch	1	
28	59248	Stirrup	1	
29	59253	Distribution Board	1	
30	59254	Decal	1	
31	64805	Module Mounting Plate	1	
32	59368	Slave Board	1	
33	59371	Box	1	
34	59375	Plug Cover	1	
35	59402	2 Way Terminal Plug	a/r	
36	64864	Display Loom	1	
37	59404	Cab Loom	1	
38	59405	Power Lead	1	
39	59432	Screen Base	1	
40	59433	Screen Stem	1	
41	64685	Screen Bracket	2	
42	59455	Auto-level Tilt Sensor	1	Optional
43				
44	62892	Cable Tube (1000mm)	1	Rubber depth rollers
	62892A	Cable Tube (660mm)	1	Ultrasonic depth control
45	62982	Enclosure Mounting Plate	1	
46				
47	64862	Tie Strap	1	
48				
49				
50	RPC654.309025	Clamp Plate	2	
51	RPS466	Ø10 Hose Clamp	2	

Machines from Serial No T2-273

Electrical Assembly Assy No 64868



11.9a**T2 SPARE PARTS**

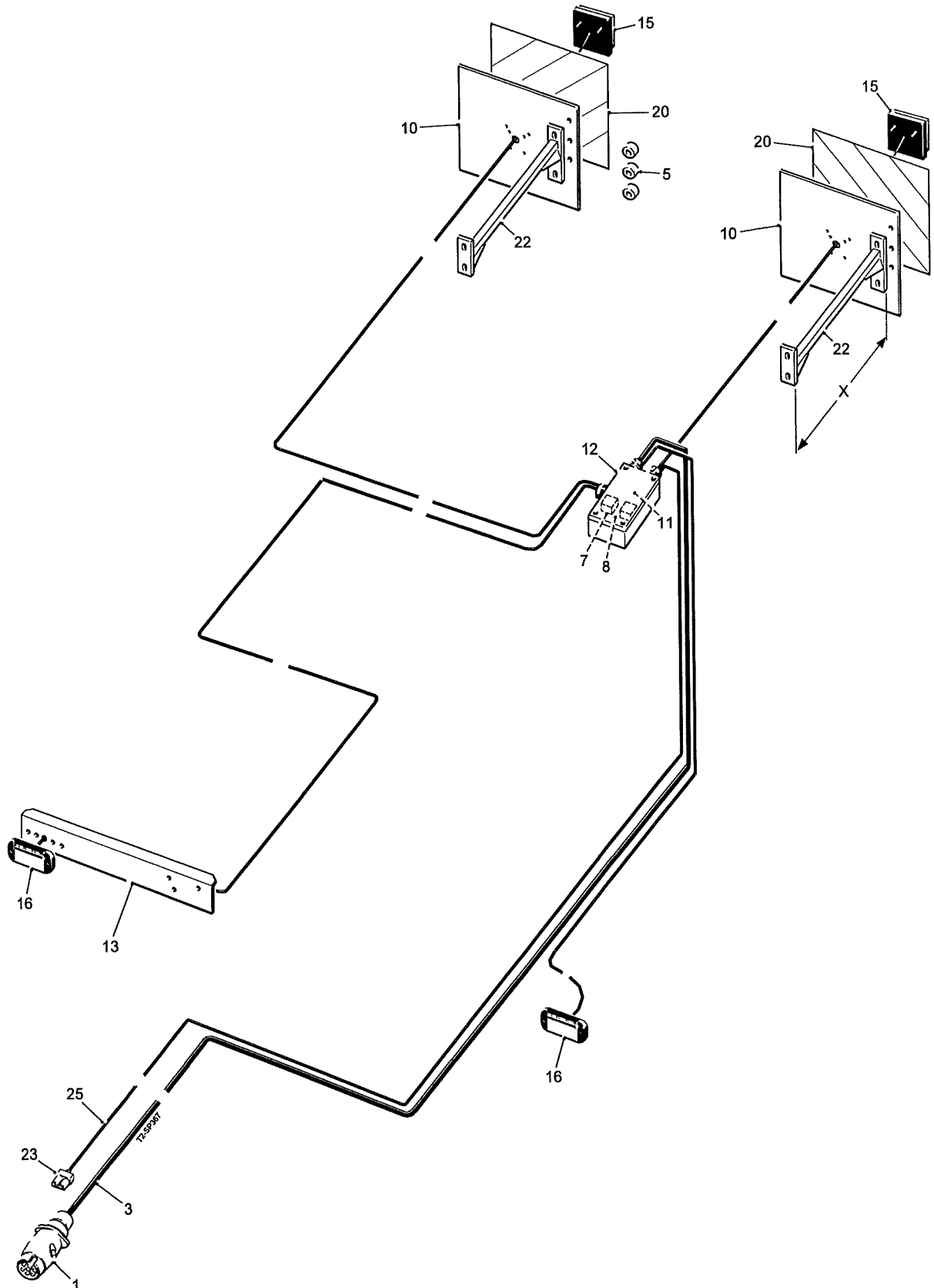
Machines from Serial No T2-273

Electrical Assembly**Assy No 64868**

Item	Part No.	Description	Qty.	Remarks
1	27189	Hirschman Plug	a/r	
2				
3	46940	Junction Box Mounting Bracket	1	
4	46892	Junction Box	1	
5				
6	51240	Oil Cooler Relay	1	
7	51247	25 Amp Fuse	2	
8				
9				
10				
11				
12	54220	2 Way Female Connector	5	
13				
14				
15	57243	Green Push Button Switch	1	
16				
17				
18	59046	Slave Box Complete	1	
19	64869	Machine Loom Complete	1	
20	59047/1	Distribution Box and Loom	1	
21	59047/2	LH Loom	1	
22				
23	59231	Touch-Screen Monitor	1	
24	59232	C/ESX-3XL-A Controller	1	
25	59239	Rocker Switch Bank Assembly	1	
26	59240	Joystick	2	
27	59241	Rocker Switch	1	
28	59248	Stirrup	1	
29	59253	Distribution Board	1	
30	59254	Decal	1	
31	70104	Module Mouning Plate	1	
31a	70105	Module Hinge Plate	1	
32	59368	Slave Board	1	
33	59371	Box	1	
34	59375	Plug Cover	1	
35	59402	2 Way Terminal Plug	a/r	
36	64864	Display Loom	1	
37	59404	Cab Loom	1	
38	59405	Power Lead	1	
39	59432	Screen Base	1	
40	59433	Screen Stem	1	
41	64685	Screen Bracket	2	
42	59455	Auto-level Tilt Sensor	1	Optional
43				
44	62892	Cable Tube (1000mm)	1	Rubber depth rollers
	62892A	Cable Tube (660mm)	1	Ultrasonic depth control
45				
46	64418	Red LED Light	1	
47	64862	Tie Strap	1	
48				
49				
50	RPC654.309025	Clamp Plate	2	
51	RPS466	Ø10 Hose Clamp	2	

Machines from 2021

Road Lights Assembly
Assy No 59036



11.10a**T2 SPARE PARTS**

Machines from 2021

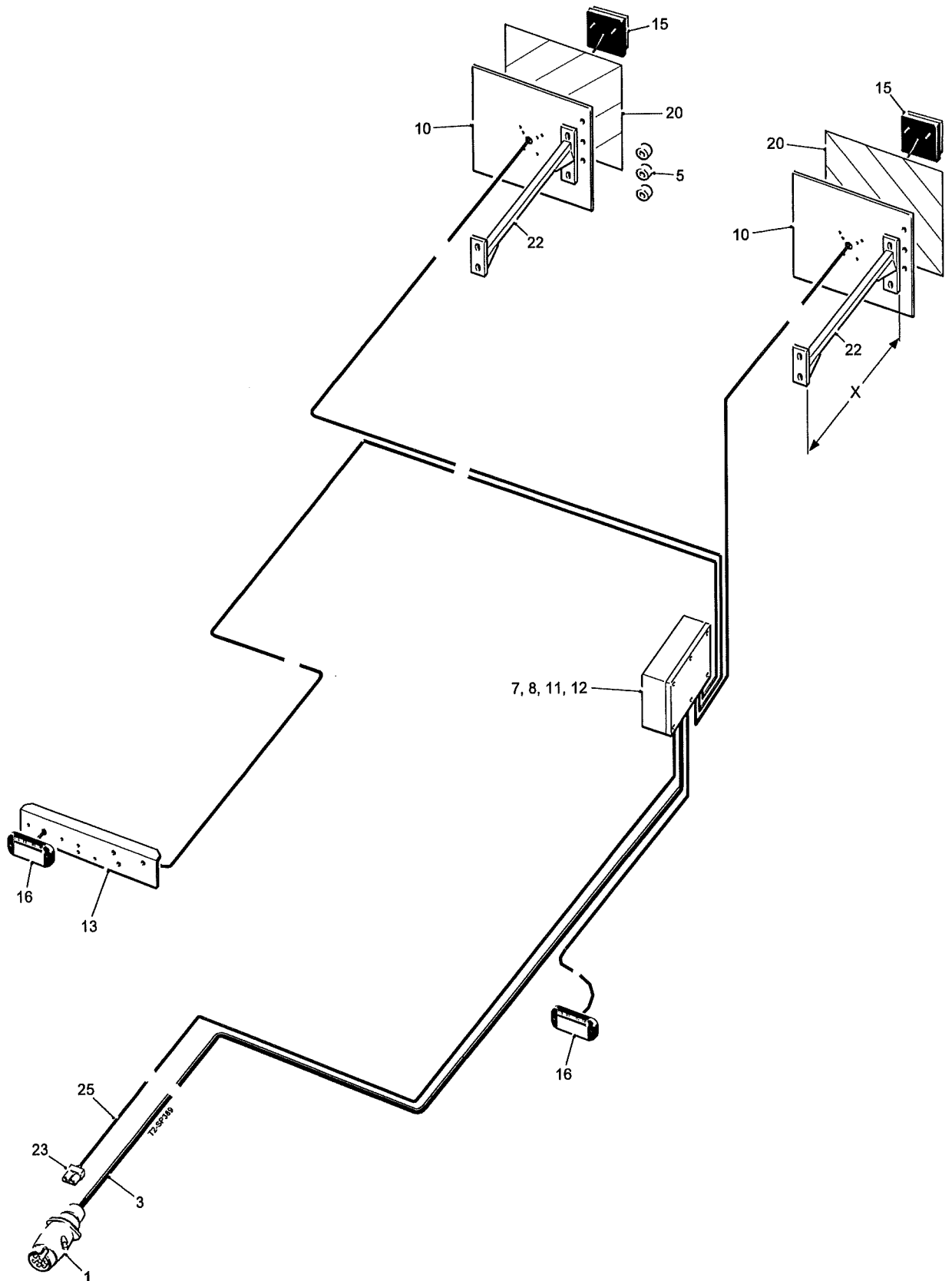
Road Lights Assembly

Assy No 59036

Item	Part No.	Description	Qty.	Remarks
1	10134	7 Pin Plug	1	
2				
3	11369	7 Core Cable	10.5m	
4				
5	SS030013/030	Steel Spacer	3	Used with spreader
6				
7	51240	Working Lights Relay	1	
8	51247	25 Amp Fuse	2	
9				
10	59285	Rear Light Bracket	2	
11	59369	Lighting Board	1	
12	59435	Box only	1	
13	59722	Light Mounting plate	1	
14				
15	62217A	LED Rear Light Assembly	2	
16	62470	LED Front Light Assembly	2	
17				
18				
19				
20	TR496	Red/White Stripe Reflector Decal	2	
21				
22	59597	Light Extension Bracket (X = 685mm)	2	Used with rear platform
	59597A	Light Extension Bracket (X = 769mm)	2	
23	59406	50 Amp Plug	1	
24				
25	DWS368	2 Core cable	a/r	

Machines from Serial No T2-273

Road Lights Assembly
Assy No 59036



11.10a**T2 SPARE PARTS**

Machines from Serial No T2-273

Road Lights Assembly**Assy No 59036**

Item	Part No.	Description	Qty.	Remarks
1	10134	7 Pin Plug	1	
2				
3	11369	7 Core Cable	10.5m	
4				
5	SS030013/030	Steel Spacer	3	Used with spreader
6				
7	51240	Working Lights Relay	1	
8	51247	25 Amp Fuse	2	
9				
10	59285	Rear Light Bracket	2	
11	59369	Lighting Board	1	
12	70103	Box only	1	
13	59722A	Light Mounting plate	1	
14				
15	62217A	LED Rear Light Assembly	2	
16	62470	LED Front Light Assembly	2	
17				
18				
19				
20	TR496	Red/White Stripe Reflector Decal	2	
21				
22	59597	Light Extension Bracket (X = 685mm)	2	Used with rear platform
	59597A	Light Extension Bracket (X = 769mm)	2	
23	59406	50 Amp Plug	1	
24				
25	DWS368	2 Core cable	a/r	

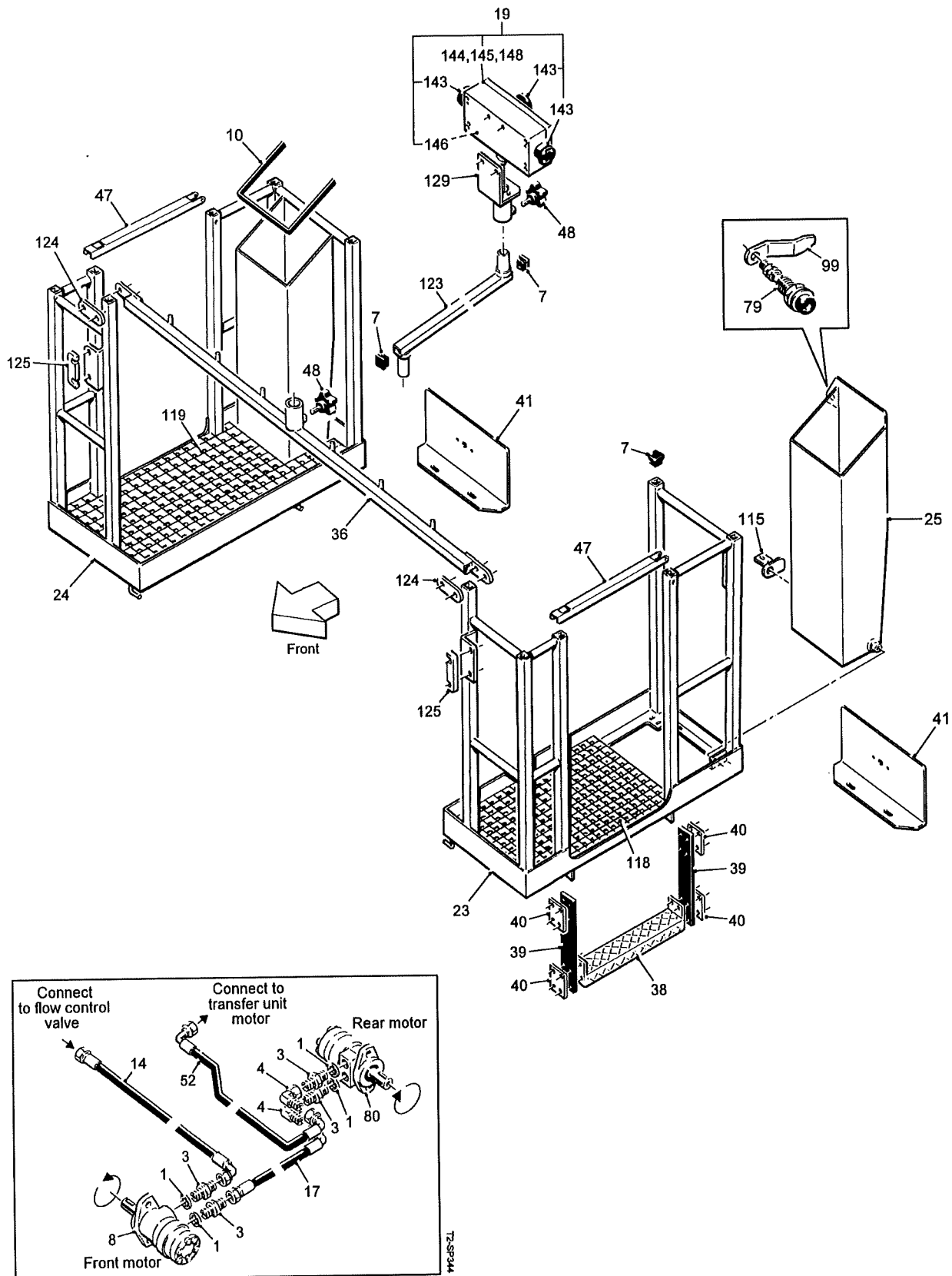
12.1a

T2 SPARE PARTS

Machines from 2021

In-line Picking Table (2 pickers)

Assy No 59058C



T2 SPARE PARTS**12.1b**

Machines from 2021

In-line Picking Table (2 pickers)**Assy No 59058C**

Item	Part No.	Description	Qty.	Remarks
1	11124	1/2"BSP Dowty Seal	4	
2				
3	12315	1/2"BSP M M Adaptor	4	
4	32475	1/2"BSP M F Compact 90°Elbow	2	
5				
6	37391	Plastic Insert	8	
7	37753	30x30 Plastic Insert	14	
8	37897	Hydraulic Motor	1	
9				
10	43227	Edging Strip	a/r	
11				
12	64389	Tie Bar	1	
13				
14	60683	1/2"Hose Assembly (3100mm)	1	
15				
16				
17	60436	1/2"Hose Assembly (1300mm)	1	
18				
19	59078	Control Box Assembly	1	(see list at end)
20	59409A	Platform Support Frame	1	
21	59410	LH Rear Infill Panel	1	Used prior to 2023 only
22	59411	RH Rear Infill Panel	1	Used prior to 2023 only
23	64855	LH Platform	1	
24	64856	RH Platform	1	
25	64853	Chute LH	1	
26				
27	59416A	Guard	1	
28	59648A	LH Mounting Panel	1	
29				
30	59420A	LH Lower Side Panel	1	
31	59421	Bearing Housing	1	
32	59779E	LH Deflector	1	Used with Omega
33	59780E	RH Deflector	1	Used with Omega
34	59650A	Cross Brace	1	
35	59449B	Picking Web Assembly	1	(see list at end)
36	70057	Support Bar	1	
37				
38	59470	Step Bottom	2	
39	64919	Strap	4	
40	59485	Support Plate	8	
41	59285B	Rear Light Bracket	2	
42	59739	15T 3/4"Pitch Sprocket	1	
43	64592	Stainless Infill Panel LH	1	
44	64593	Stainless Infill Panel RH	1	
45	64666	Top Hat Spacer	4	
46	62895	Motor Mounting	1	
47	62976	Safety Rail	2	
48	62251	Knob	2	
52	60336	1/2"Hose Assembly (4700mm)	1	
53				
54	KA16021	Ø80 Flanged Roller Assembly	2	(see list at end)
55				
56	64588	LH Mounting Panel	1	
57	64589	RH Mounting Panel	1	
58	RPA610.303586B	Rear Chute	1	

12.1c

T2 SPARE PARTS

Machines from 2021

In-line Picking Table (2 pickers)

Assy No 59058C

Item	Part No.	Description	Qty.	Remarks
59	RPA610.303818	Adjuster Arm	2	
60	RPA610.305863	Support Bar	1	
61	RPB208.022062	Bearing	1	
62	RPC700.300147	Ø95 Plain Roller c/w Bearings	10	
63	RPC700.300227	Ø75 Plain Roller c/w Bearings	20	
64	RPC700.301543	Ø132 Plain Drive Roller (Ø35 bore)	1	
65	RPC700.302662	Ø100 Plain Roller (Ø35 bore)	4	
66	RPC700.302663	Ø100 Flanged Roller (Ø35 bore)	6	
67	RPC700.303613	Ø132 Flanged Drive Roller (Ø35 bore)	2	
68	RPC700.303618	Ø100 Flanged Roller (Ø30 bore)	4	
69	RPC700.303619	Ø100 Plain Roller (Ø30 bore)	2	
70	RPC700.304412	Nylon Chain Tensioner	1	
71	RPC700.307700	Nylon Chain Tensioner	1	
72	RPC700.307993	Tensioner Spacer	1	
73	RPF200.030200	Ø30 External Circlip	11	
74	RPF200.035250	Ø35 External Circlip	8	
75	RPGM070.00446	Felt Seal Ring	30	
76	RPGM089.00565	Roller Shield	30	
77	RPGMRPB99.03510	Hinge	1	
78	RPGMRPB99.03511	Hinge	1	
79	57199	Lock Assembly	2	
80	RPH850.302359	Hydraulic Motor	1	
81	RPM102.302146	Roller Arm	2	
82	RPM162.302073	Ø35 Shaft	2	
83	RP302073A	Ø35 Shaft	1	
84	RPM162.303608	Ø30 Shaft	1	
85	59652	Ø30 Shaft	1	
86	RPM162.303610	Ø30 Shaft	1	
87	RPM162.303612	Coupling	1	
88	RPM162.303630	Ø35 Shaft	1	
89	RPM176.306318	20mm Spacer	26	
90	RPM176.306319	10mm Spacer	26	
91	RPM180.303071	Roller Spindle	10	
92	RPM182.300347	24T 3/4"Pitch Sprocket	1	
93	RPM182.300348	15T 3/4"Pitch Sprocket	1	
94	RPM182.300350	12T 3/4"Pitch Sprocket	1	
95	RPM196.300869	Washer	1	
96	RPM256.302154	Clamp Strip	1	
97	RPM180.300308	Roller Spindle	20	
98	RPC620.303070	Cap	30	
99	57219	Latch Arm	2	
100				
101				
102				
103				
104	59649	RH Mounting Panel	1	
105	64590	LH Upper Side Panel	1	
106	64591	RH Upper Side Panel	1	
107	RPS122	Infill Panel	2	
108	RPS561A	Transfer Web (long)	1	(see list at end)
109	59661A	Transfer Web (short)	1	(see list at end)
110	RPS571A	LH Mounting Panel	1	
111	RPS572A	RH Mounting Panel	1	
112	RPS573A	LH Side Panel	1	
113	RPS574A	RH Side Panel	1	

T2 SPARE PARTS

12.1d

Machines from 2021

In-line Picking Table (2 pickers)

Assy No 59058C

Item	Part No.	Description	Qty.	Remarks
114	62755A	RH Lower Side Panel	1	
115	64854	Chute Mounting Bracket	1	
116	RPS602	Drive Guard	1	
117	RPS603	Bearing Guard	2	
118	64857	LH Platform Base	1	
119	64858	RH Platform Base	1	
120	RPS704	Guard Latch Plate	1	
121				
122				
123	70056A	Control Box Arm	1	
124	RPS712	Clamp Plate	2	
125	RPS717	Spacer Plate	2	
126	RPS828	Rubber Sheet	1	
127	RPS898	Mounting Bracket	1	
128	59651	Infill Plate	1	
129	70055	Control Box Base Plate	1	
130				
131				
132				
133	64298	Rear Panel	1	Used prior to 2023 only
133a	64298B	Rear Panel	1	
134	64814	Link Plate	2	Used with Omega
135				
136	RPT732.620050	3/4"Pitch Drive Chain	2	
137	SS025011/018	Steel Spacer	4	
138				
139	SFT30	Bearing	14	
140				
141				
142	W0168	Ø62 Internal Circlip	2	
	59078	Control Box Assembly Consists Of:		
143	37279	Emergency Stop Button Complete	3	
144	59464	Module Box	1	
145	59465	Module Cable	7	
146	59466	CAN Slave Module	1	
147				
148	TR500	Decal	1	
	59449B	Picking Web Assembly Consists Of:		
149	-	Web Belt	3	
150	RPS105/2B	Web Rod c/w Sleeve	51	
151	RPS105/1B	Cranked Web Rod c/w Sleeve	102	
152	RPS105/3B	Joining Rod c/w Sleeve	1	
153	RPM419.362824	Joining Clip Set	3	
154	RPF240.150230	Web Bar Rivet	918	
155	RPF240.150300	Connector Rivet	24	
156	RPGM019.00155	Clamp Plate	459	
157				

12.1e

T2 SPARE PARTS

Machines from 2021

In-line Picking Table (2 pickers)

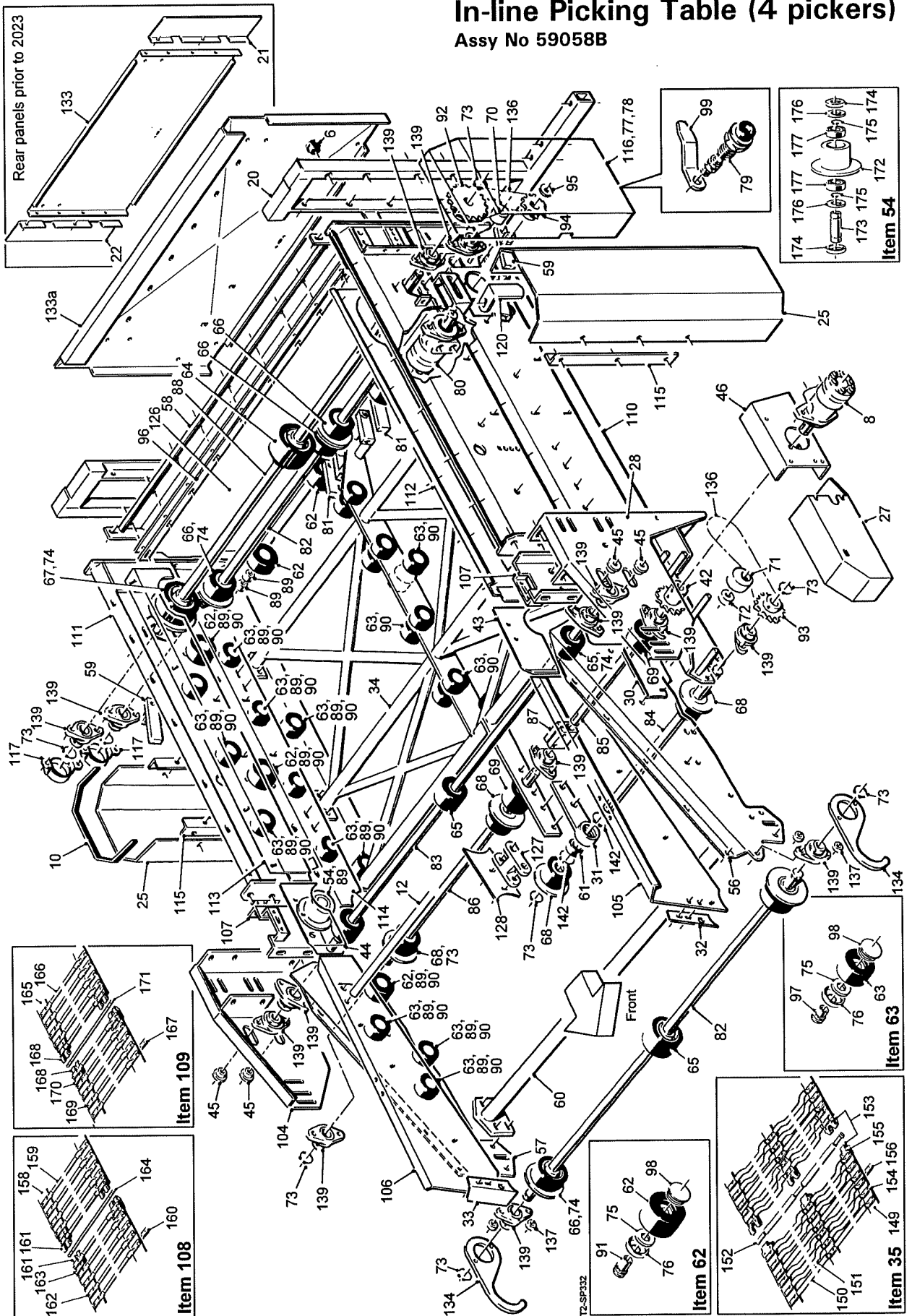
Assy No 59058C

Item	Part No.	Description	Qty.	Remarks
	RPS561A	Transfer Web (long) Consists Of:		
158	-	Web Belt	2	
159	RPS561/1	Web Bar	85	
160	KA16049	Clamp Plate	166	
161	KA16040	Joiner	2 pair	
	RPS561/3AF	'F' Type Joiner	2 pair	
162	DIN661 5x30	Ø5x30 Rivet	a/r	
163	DIN661 5x23	Ø2x23 Rivet	a/r	
164	RPS561/2	Joining Rod	1	
	RPS561/2AF	Joining Rod (for 'F' type joiner)	1	
	59661A	Transfer Web (short) Consists Of:		
165	-	Web Belt	2	
166	RPS561/1	Web Bar	67	
167	KA16049	Clamp Plate	130	
168	KA16040	Joiner	2 pair	
	RPS561/3AF	'F' Type Joiner	2 pair	
169	DIN661 5x30	Ø5x30 Rivet	a/r	
170	DIN661 5x23	Ø2x23 Rivet	a/r	
171	RPS561/2	Joining Rod	1	
	RPS561/2AF	Joining Rod (for 'F' type joiner)	1	
	KA16021	Roller Assembly Consists Of:		
172	KA16021/1	Ø80 Flanged Steel Roller	1	
173	KA16021/4	Spindle	1	
174	PH408	Seal	2	
175	PS843	External Circlip	2	
176	0000300504	Felt Seal	2	
177	6005RS	Bearing	2	

Machines from 2021

In-line Picking Table (4 pickers)

Assy No 59058B



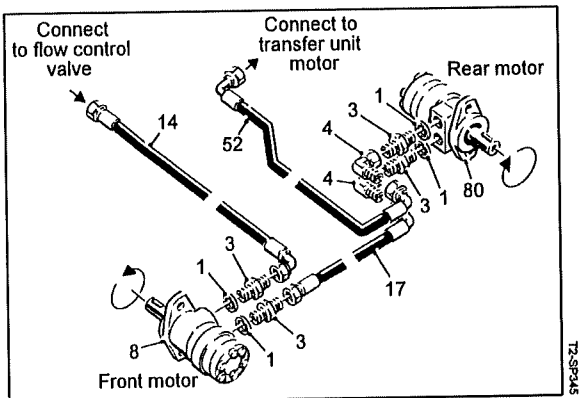
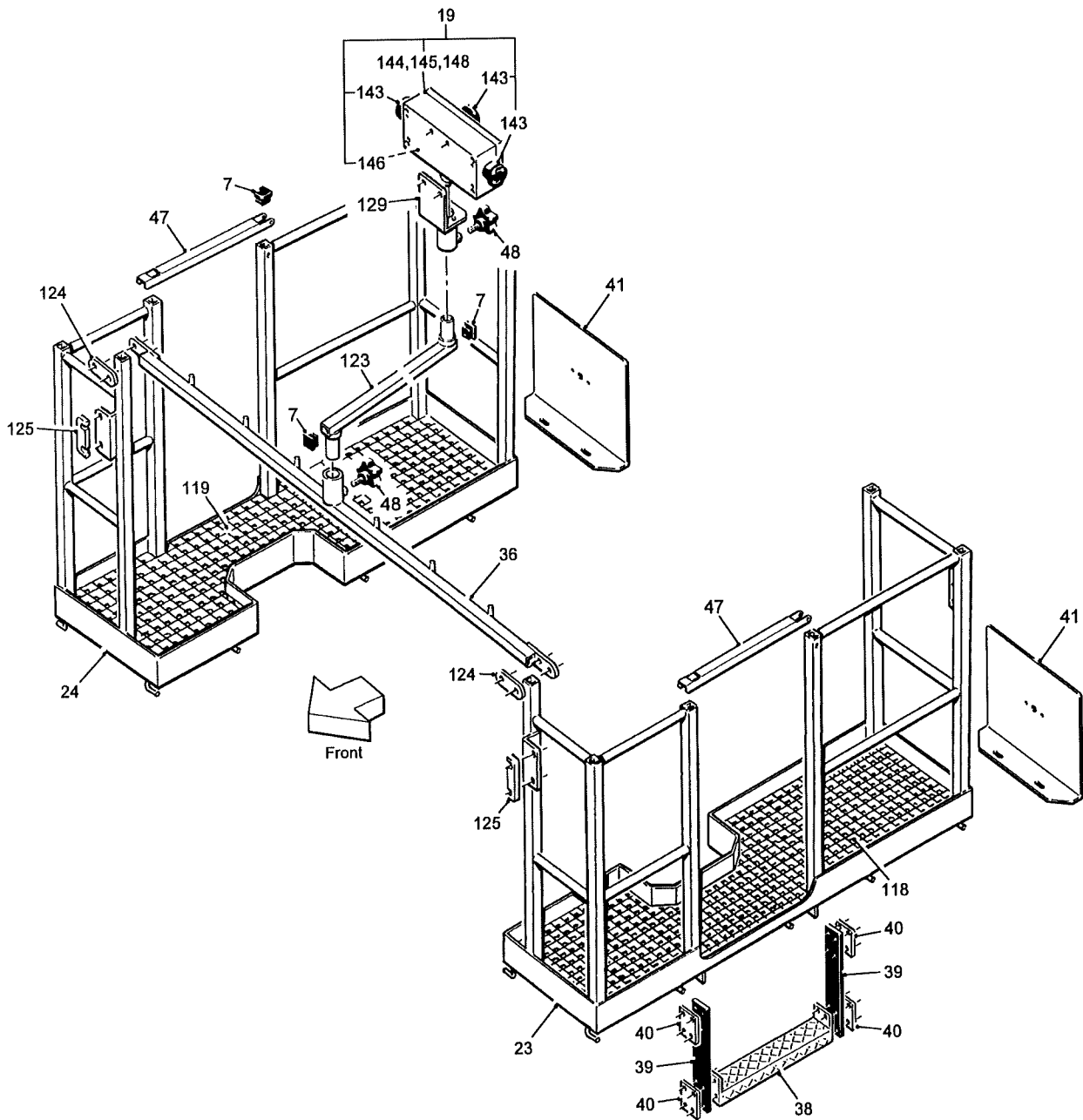
12.2a

T2 SPARE PARTS

Machines from 2021

In-line Picking Table (4 pickers)

Assy No 59058B



T2 SPARE PARTS**12.2b**

Machines from 2021

In-line Picking Table (4 pickers)**Assy No 59058B**

Item	Part No.	Description	Qty.	Remarks
1	11124	1/2"BSP Dowty Seal	4	
2				
3	12315	1/2"BSP M M Adaptor	4	
4	32475	1/2"BSP M F Compact 90°Elbow	2	
5				
6	37391	Plastic Insert	8	
7	37753	30x30 Plastic Insert	14	
8	37897	Hydraulic Motor	1	
9				
10	43227	Edging Strip	a/r	
11				
12	64389	Tie Bar	1	
13				
14	60683	1/2"Hose Assembly (3100mm)	1	
15				
16				
17	51553	1/2"Hose Assembly (2300mm)	1	
18				
19	59078	Control Box Assembly	1	(see list at end)
20	59409A	Platform Support Frame	1	
21	59410	LH Rear Infill Panel	1	Used prior to 2023 only
22	59411	RH Rear Infill Panel	1	Used prior to 2023 only
23	59412	LH Platform	1	
24	59413	RH Platform	1	
25	59414	Side Chute	2	
26				
27	59416A	Guard	1	
28	59648A	LH Mounting Panel	1	
29				
30	59420	LH Lower Side Panel	1	
31	59421	Bearing Housing	1	
32	64586	LH Deflector	1	Used with Omega
33	64587	RH Deflector	1	Used with Omega
34	59650	Cross Brace	1	
35	59449	Picking Web Assembly	1	(see list at end)
36	70057	Support Bar	1	
37				
38	59470	Step Bottom	2	
39	64919	Strap	4	
40	59485	Support Plate	8	
41	59285C	Rear Light Bracket	2	
42	59739	15T 3/4"Pitch Sprocket	1	
43	64592	Stainless Infill Panel LH	1	
44	64593	Stainless Infill Panel RH	1	
45	64666	Top Hat Spacer	4	
46	62895	Motor Mounting	1	
47	62976	Safety Rail	2	
48	62251	Knob	2	
52	60896	1/2"Hose Assembly (5150mm)	1	
53				
54	KA16021	Ø80 Flanged Roller Assembly	2	(see list at end)
55				
56	64588	LH Mounting Panel	1	
57	64589	RH Mounting Panel	1	
58	RPA610.303586B	Rear Chute	1	

12.2c

T2 SPARE PARTS

Machines from 2021

In-line Picking Table (4 pickers)

Assy No 59058B

Item	Part No.	Description	Qty.	Remarks
59	RPA610.303818	Adjuster Arm	2	
60	RPA610.305863	Support Bar	1	
61	RPB208.022062	Bearing	1	
62	RPC700.300147	Ø95 Plain Roller c/w Bearings	10	
63	RPC700.300227	Ø75 Plain Roller c/w Bearings	36	
64	RPC700.301543	Ø132 Plain Drive Roller (Ø35 bore)	1	
65	RPC700.302662	Ø100 Plain Roller (Ø35 bore)	4	
66	RPC700.302663	Ø100 Flanged Roller (Ø35 bore)	6	
67	RPC700.303613	Ø132 Flanged Drive Roller (Ø35 bore)	2	
68	RPC700.303618	Ø100 Flanged Roller (Ø30 bore)	4	
69	RPC700.303619	Ø100 Plain Roller (Ø30 bore)	2	
70	RPC700.304412	Nylon Chain Tensioner	1	
71	RPC700.307700	Nylon Chain Tensioner	1	
72	RPC700.307993	Tensioner Spacer	1	
73	RPF200.030200	Ø30 External Circlip	11	
74	RPF200.035250	Ø35 External Circlip	8	
75	RPGM070.00446	Felt Seal Ring	46	
76	RPGM089.00565	Roller Shield	46	
77	RPGMRPB99.03510	Hinge	1	
78	RPGMRPB99.03511	Hinge	1	
79	57199	Lock Assembly	1	
80	RPH850.302359	Hydraulic Motor	1	
81	RPM102.302146	Roller Arm	2	
82	RPM162.302073	Ø35 Shaft	2	
83	RP302073A	Ø35 Shaft	1	
84	RPM162.303608	Ø30 Shaft	1	
85	59652	Ø30 Shaft	1	
86	RPM162.303610	Ø30 Shaft	1	
87	RPM162.303612	Coupling	1	
88	RPM162.303630	Ø35 Shaft	1	
89	RPM176.306318	20mm Spacer	36	
90	RPM176.306319	10mm Spacer	42	
91	RPM180.303071	Roller Spindle	10	
92	RPM182.300347	24T 3/4"Pitch Sprocket	1	
93	RPM182.300348	15T 3/4"Pitch Sprocket	1	
94	RPM182.300350	12T 3/4"Pitch Sprocket	1	
95	RPM196.300869	Washer	1	
96	RPM256.302154	Clamp Strip	1	
97	RPM180.300308	Roller Spindle	36	
98	RPC620.303070	Cap	46	
99	57219	Latch Arm	1	
100				
101				
102				
103				
104	59649	RH Mounting Panel	1	
105	64590	LH Upper Side Panel	1	
106	64591	RH Upper Side Panel	1	
107	RPS122	Infill Panel	2	
108	RPS561	Transfer Web (long)	1	(see list at end)
109	59661	Transfer Web (short)	1	(see list at end)
110	RPS571	LH Mounting Panel	1	
111	RPS572	RH Mounting Panel	1	
112	RPS573	LH Side Panel	1	
113	RPS574	RH Side Panel	1	

T2 SPARE PARTS

12.2d

Machines from 2021

In-line Picking Table (4 pickers)

Assy No 59058B

Item	Part No.	Description	Qty.	Remarks
114	62755	RH Lower Side Panel	1	
115	RPS601	Mounting Angle	4	
116	RPS602	Drive Guard	1	
117	RPS603	Bearing Guard	2	
118	RPS608	LH Platform Base	1	
119	RPS609	RH Platform Base	1	
120	RPS704	Guard Latch Plate	1	
121				
122				
123	70056	Control Box Arm	1	
124	RPS712	Clamp Plate	2	
125	RPS717	Spacer Plate	2	
126	RPS828	Rubber Sheet	1	
127	RPS898	Mounting Bracket	1	
128	59651	Infill Plate	1	
129	70055	Control Box Base plate	1	
130				
131				
132				
133	64298	Rear Panel	1	Used prior to 2023 only
133a	64298B	Rear Panel	1	
134	64814	Link Plate	2	Used with Omega
135				
136	RPT732.620050	3/4"Pitch Drive Chain	2	
137	SS025011/018	Steel Spacer	4	
138				
139	SFT30	Bearing	14	
140				
141				
142	W0168	Ø62 Internal Circlip	2	
	59078	Control Box Assembly Consists Of:		
143	37279	Emergency Stop Button Complete	3	
144	59464	Module Box	1	
145	59465	Module Cable	7	
146	59466	CAN Slave Module	1	
147				
148	TR500	Decal	1	
	59449	Picking Web Assembly Consists Of:		
149	-	Web Belt	3	
150	RPS105/2B	Web Rod c/w Sleeve	63	
151	RPS105/1B	Cranked Web Rod c/w Sleeve	126	
152	RPS105/3B	Joining Rod c/w Sleeve	1	
153	RPM419.362824	Joining Clip Set	3	
154	RPF240.150230	Web Bar Rivet	1134	
155	RPF240.150300	Connector Rivet	24	
156	RPGM019.00155	Clamp Plate	567	
157				

Machines from 2021

In-line Picking Table (4 pickers)

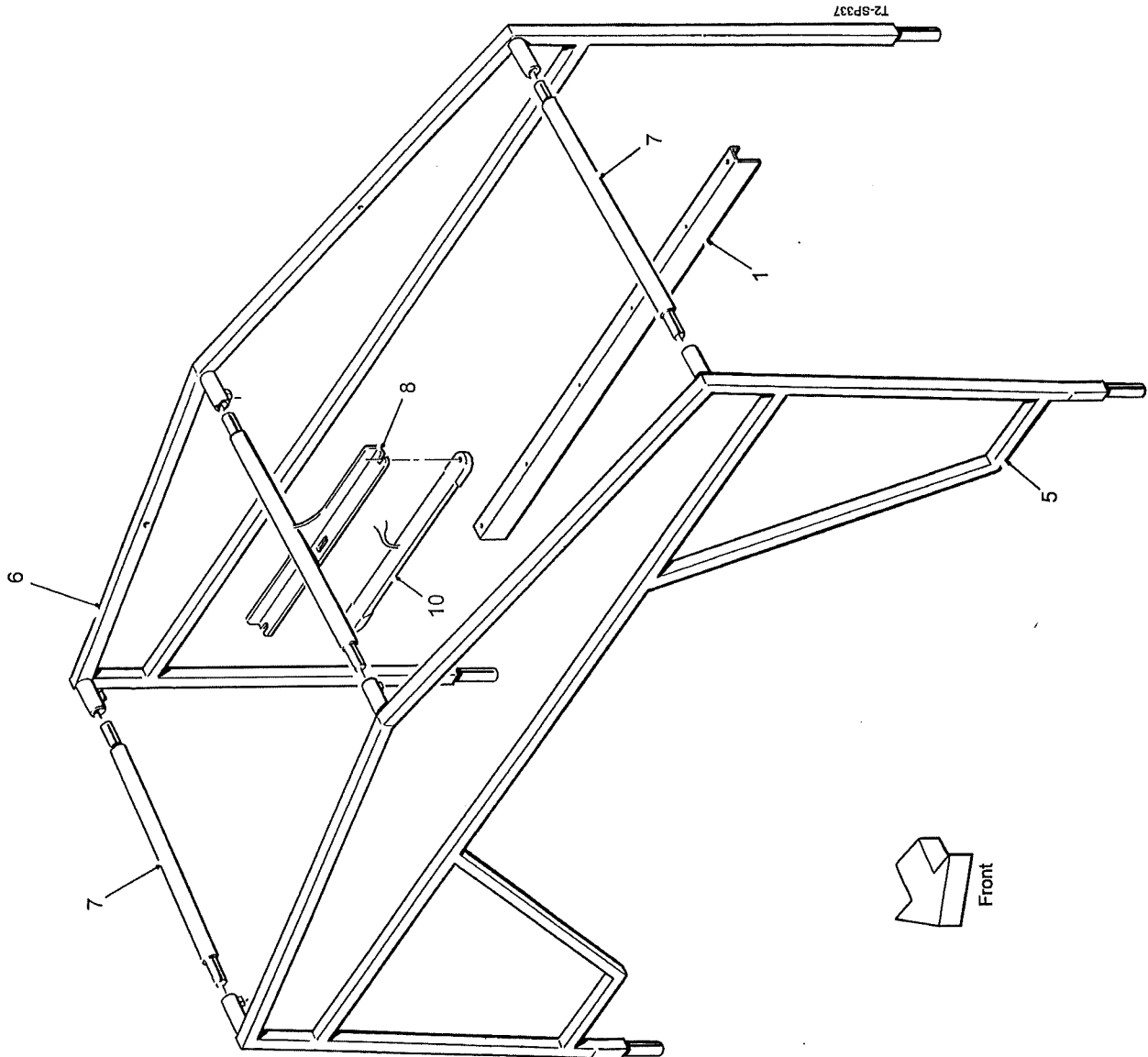
Assy No 59058B

Item	Part No.	Description	Qty.	Remarks
	RPS561	Transfer Web (long) Consists Of:		
158	-	Web Belt	2	
159	RPS561/1	Web Bar	117	
160	KA16049	Clamp Plate	230	
161	KA16040	Joiner	2 pair	
	RPS561/3AF	'F' Type Joiner	2 pair	
162	DIN661 5x30	Ø5x30 Rivet	a/r	
163	DIN661 5x23	Ø2x23 Rivet	a/r	
164	RPS561/2	Joining Rod	1	
	RPS561/2AF	Joining Rod (for 'F' type joiner)	1	
	59661	Transfer Web (short) Consists Of:		
165	-	Web Belt	2	
166	RPS561/1	Web Bar	98	
167	KA16049	Clamp Plate	192	
168	KA16040	Joiner	2 pair	
	RPS561/3AF	'F' Type Joiner	2 pair	
169	DIN661 5x30	Ø5x30 Rivet	a/r	
170	DIN661 5x23	Ø2x23 Rivet	a/r	
171	RPS561/2	Joining Rod	1	
	RPS561/2AF	Joining Rod (for 'F' type joiner)	1	
	KA16021	Roller Assembly Consists Of:		
172	KA16021/1	Ø80 Flanged Steel Roller	1	
173	KA16021/4	Spindle	1	
174	PH408	Seal	2	
175	PS843	External Circlip	2	
176	0000300504	Felt Seal	2	
177	6005RS	Bearing	2	

Machines from 2021

In-line Canopy Kit (2 pickers)

Assy No 59445C



12.4a**T2 SPARE PARTS**

Machines from 2021

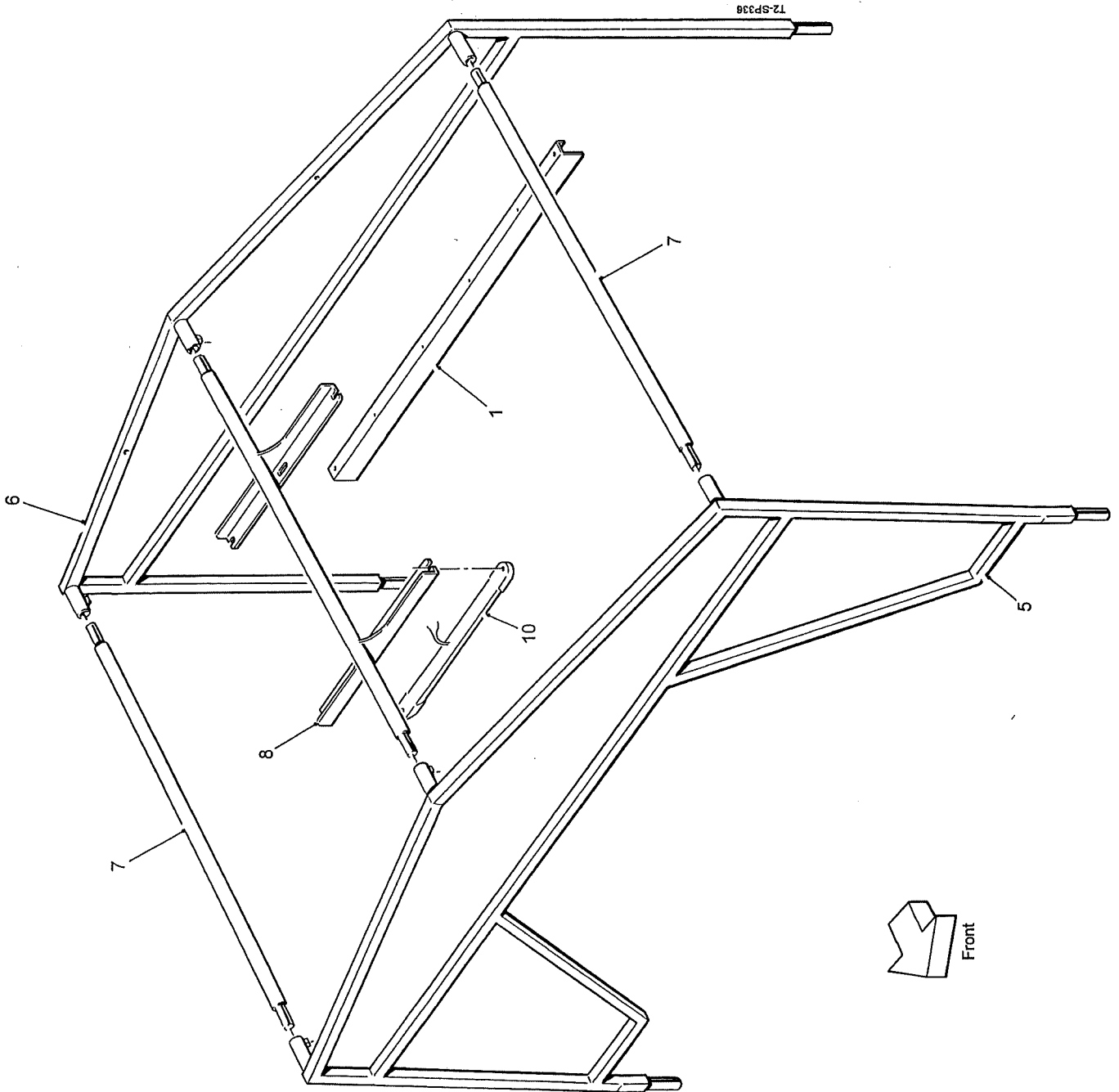
In-line Canopy Kit (2 pickers)

Assy No 59445C

Item	Part No.	Description	Qty.	Remarks
1	64680	Infill Panel	1	
2	64720B	Canopy (4 pickers)	1	(not shown)
3				
4				
5	RPS604	Front Frame	1	
6	RPS605	Rear Frame	1	
7	64863	Outer Cross Tube	2	
8	64863A	Inner Cross Tube	1	
9				
10	59394	LED Light	1	Optional

Machines from 2021

In-line Canopy Kit (4 pickers)
Assy No 59445B



12.5a**T2 SPARE PARTS**

Machines from 2021

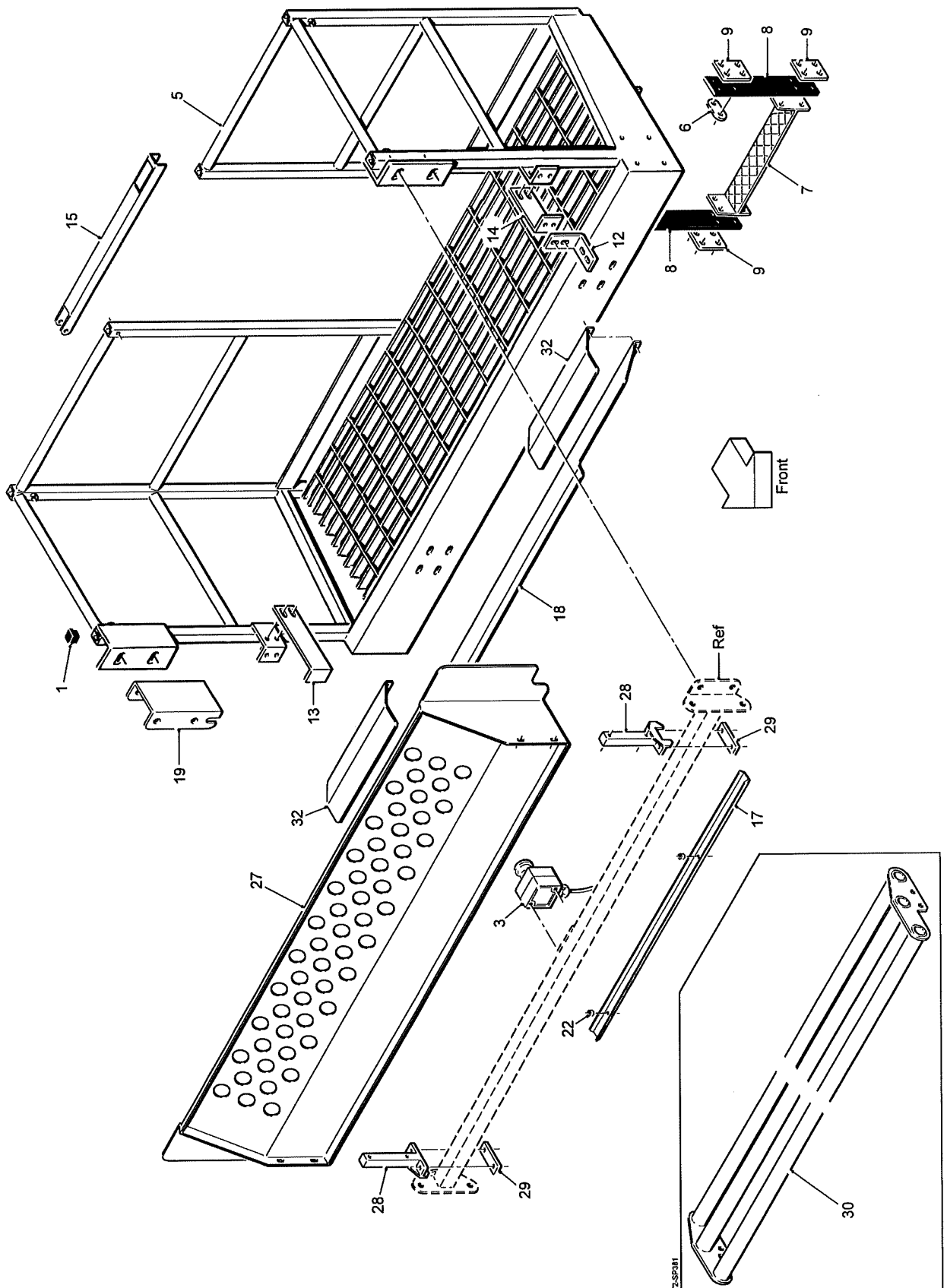
In-line Canopy Kit (4 pickers)**Assy No 59445B**

Item	Part No.	Description	Qty.	Remarks
1	64680	Infill Panel	1	
2	64720A	Canopy (4 pickers)	1	(not shown)
3				
4				
5	RPS604	Front Frame	1	
6	RPS605	Rear Frame	1	
7	RPS606	Outer Cross Tube	2	
8	RPS607	Inner Cross Tube	1	
9				
10	59394	LED Light	2	Optional

Machines from 2021

Rear Inspection Platform

Assy No 70082



12.6a**T2 SPARE PARTS**

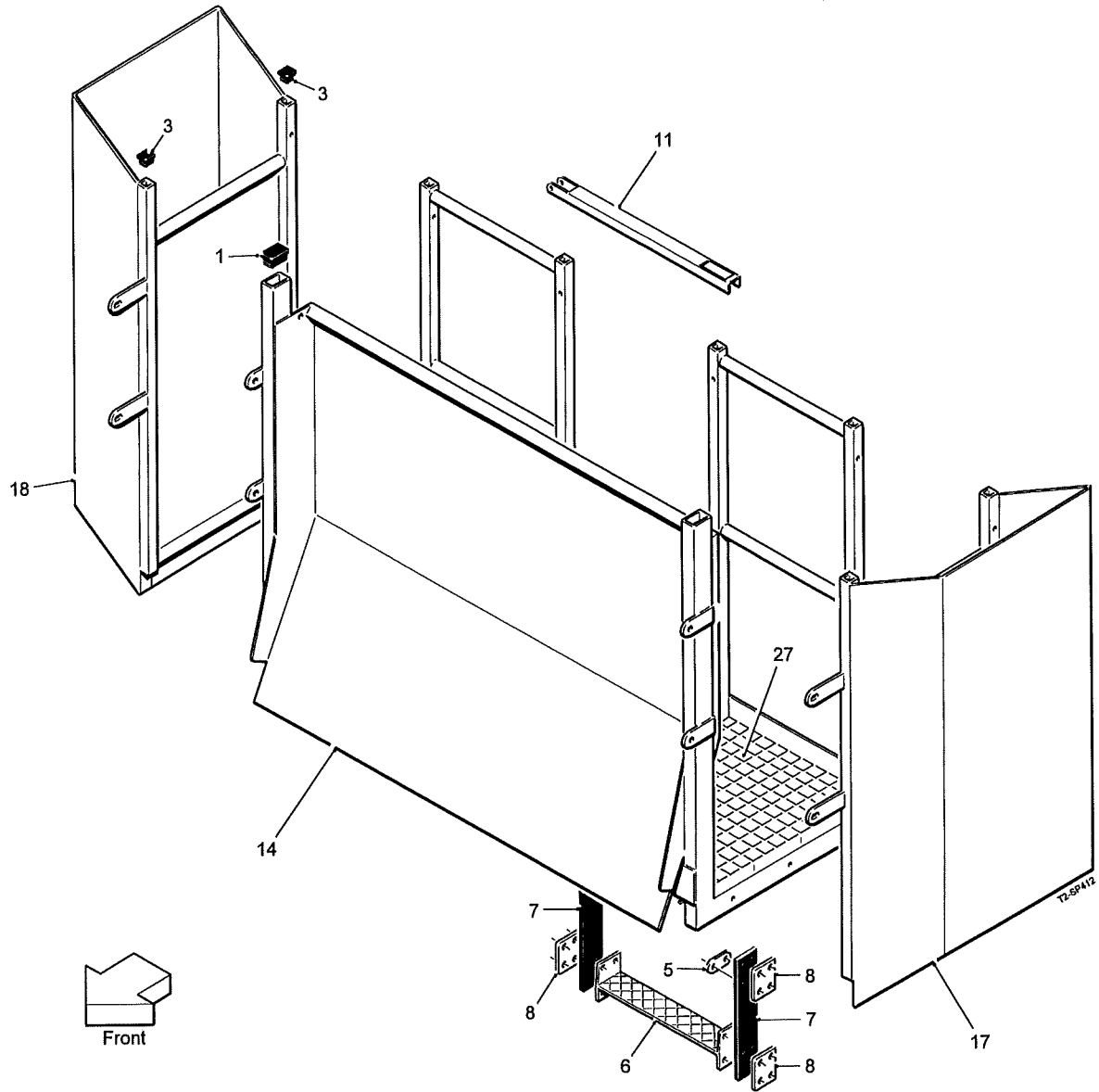
Machines from 2021

Rear Inspection Platform

Assy No 70082

Item	Part No.	Description	Qty.	Remarks
1	37753	30x30 Plastic Insert	4	
2				
3	44740	Emergency Stop Switch	1	
4				
5	59407	Inspection Platform	1	
6	59469	Clamp Plate	2	
7	59470	Step	1	
8	64919	Step Strap	2	
9	59485	Step Support Plate	4	
10				
11				
12	62889	Support Angle	1	
13	62890A	RH Support Bracket	1	
14	62890B	LH Support Bracket	1	
15	62976A	Safety Rail	1	
16				
17	64008C	Cable Support Plate	1	
18	64431	Platform Infill	1	
19	64293	Mounting Spacer	2	
20				
21				
22	SS012006/010	Steel Spacer	2	
23				
24				
25				
26				
27	64546	Rear Guard	1	
28	64547	Guard Post	2	
29	64548	Clamp Plate	2	
30	64549	Spreader Guard	1	
31				
32	70039	Infill Panel	2	

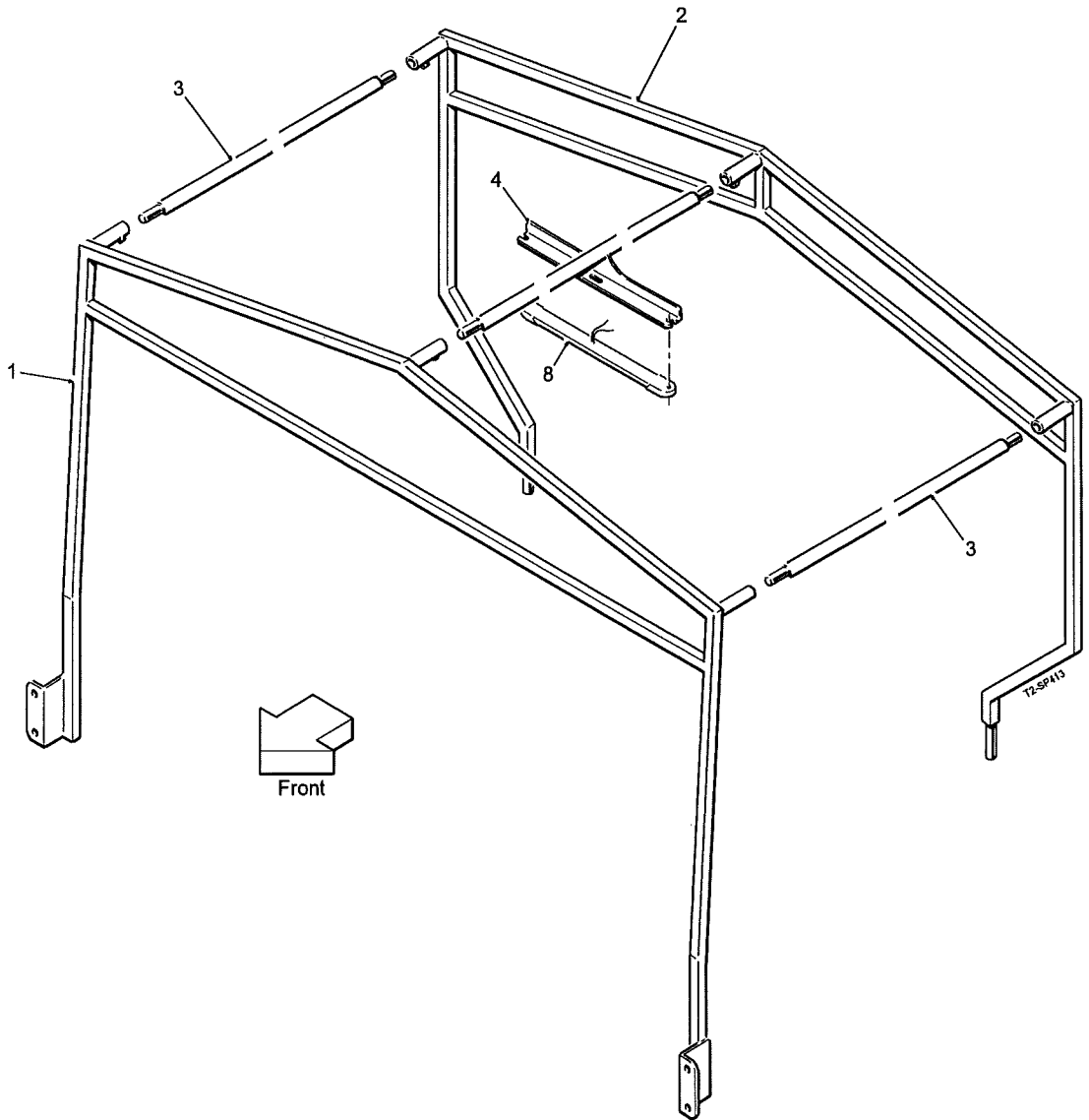
Rear Picking Platform (2 pickers)



12.7a**T2 SPARE PARTS****Rear Picking Platform (2 pickers)**

Item	Part No.	Description	Qty.	Remarks
1	32669	60x40 Plastic Insert	2	
2				
3	37753	30x30 Plastic Insert	6	
4				
5	59469	Clamp Plate	2	
6	59470	Step	1	
7	59471	Step Strap	2	
8	59485	Step Support Plate	4	
9				
10				
11	62976	Safety Rail	1	
12				
13				
14	64193	Rear Platform	1	
15				
16				
17	70214	Chute LH	1	
18	70215	Chute RH	1	
19				
20				
21				
22				
23				
24				
25				
26				
27	RPS708	Platform Base	1	

Rear Picking Platform Canopy Kit (2 pickers)
Assy No 59445E



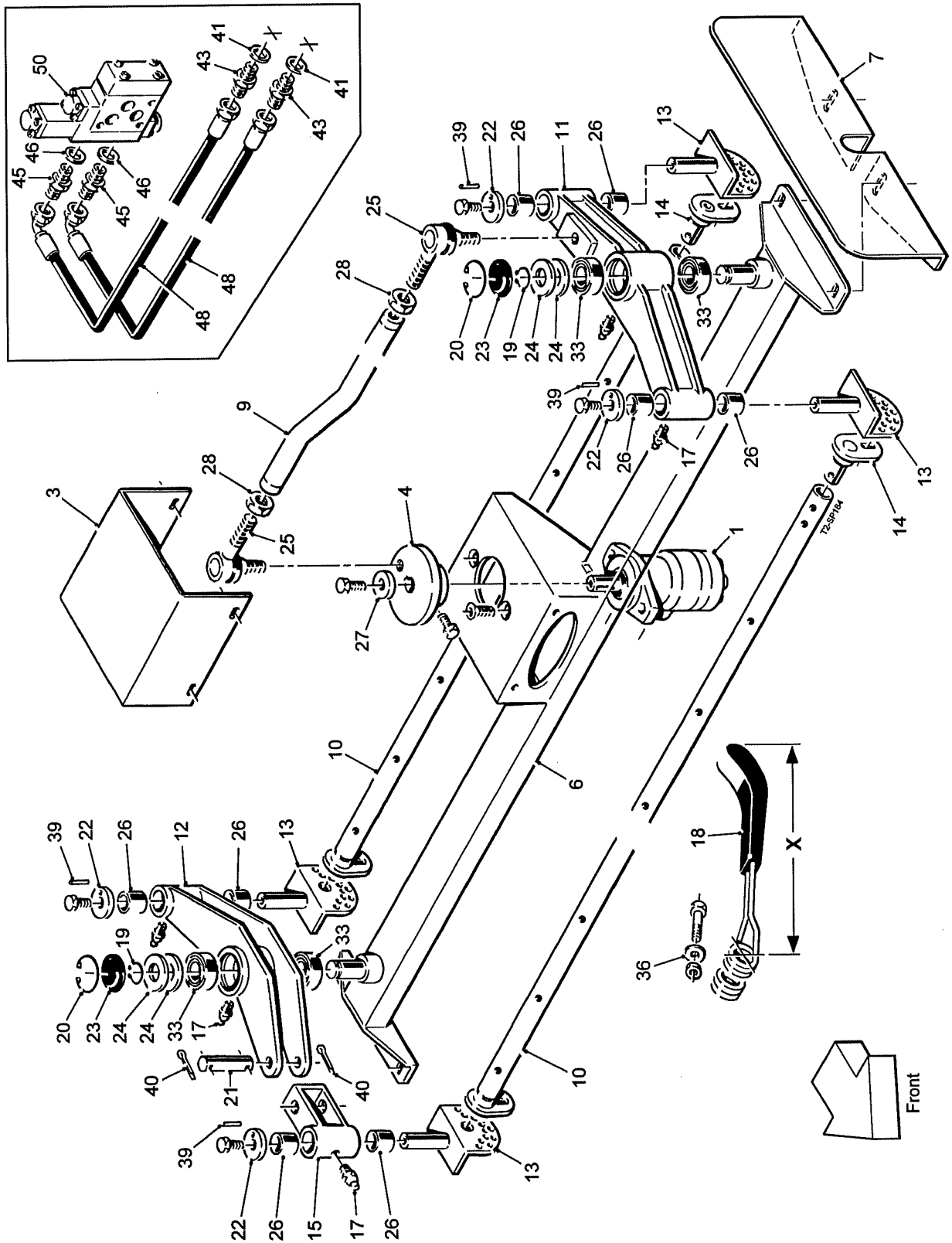
12.8a**T2 SPARE PARTS****Rear Picking Platform Canopy Kit (2 pickers)**

Assy No 59445E

Item	Part No.	Description	Qty.	Remarks
1	70216	Canopy Frame Front	1	
2	70217	Canopy Frame Rear	1	
3	70218	Cross Tube Outer	2	
4	70219	Cross Tube Inner	1	
5	70220	Canopy	1	Not shown
6				
7				
8	59394	LED Light	1	Option

Machines from 2021

Sweeping Clod Fingers Assy No 59045



Machines from 2021

Sweeping Clod Fingers

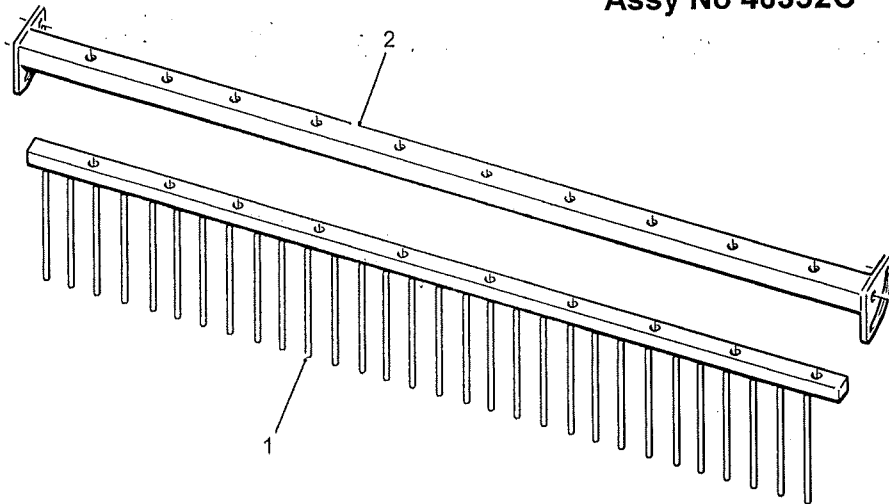
Assy No 59045

Item	Part No.	Description	Qty.	Remarks
1	44563	Hydraulic Motor	1	
2				
3	56823	Guard	1	
4	56824	Cam	1	
5				
6	59329	Mounting Beam	1	
7	59798	Finger Guard	2	
8				
9	RPA610.301139	Tube	1	
10	RPA610.301154	Tube	2	
11	RPA610.301165	Oscillator Arm	1	
12	RPA610.301202	Oscillator Arm	1	
13	RPA610.301207	Quadrant Plate	4	
14	RPA610.301209	End Plate	2	
15	RPA610.306023	Hinge Piece	1	
16	RPC632.301869	Decal	1	(not shown)
17	RPC648.081250	M8 Straight Grease Nipple	6	
18	RPC700.304701	Oscillator Paddle (X = 480mm)	16	Option
	RPGM076.00594	Oscillator Paddle (X = 425mm)	16	Option
19	RPF200.030200	Ø30 External Circlip	2	
20	RPF202.055200	Ø55 Internal Circlip	2	
21	RPGM031.00228	Pin	1	
22	RPGM065.00073	Brass Washer	4	
23	RPGM088.00005	Plastic Dust Cap	2	
24	RPGM088.00017	Sealing Ring	4	
25	RPGMB89.02017	M20 Ball Joint	2	
26	RPM148.302182	Brass Bush	8	
27	RPM196.300869	Washer	1	
28	RPF174.220000	M20 Half Nut	2	
29				
30				
31				
32				
33	6006RS	Bearing	4	
34				
35				
36	SS030011/005	Steel Spacer	16	
37				
38				
39	22067005/010	Ø5x10 Roll Pin	4	
40	22078005/025	Ø5x25 Split Pin	2	
		Hydraulic Components Consist Of:		
41	11124	1/2"BSP Dowty Seal	2	
42				
43	12315	1/2"BSP M M Adaptor	2	
44				
45	27459	M18x1/2"BSP M M Adaptor	2	
46	27461	M18 Dowty Seal	2	
47				
48	43207	1/2"Hose Assembly (2700mm)	2	
49				
50	RPS360-1	S/A Proportional Valve Slice	1	

Machines from 2021

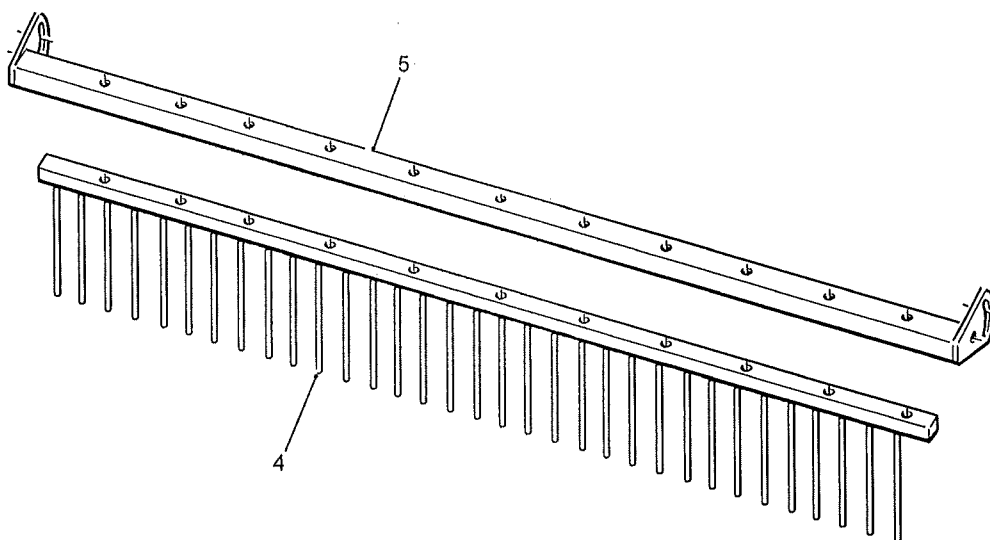
Restrictor Brush Kits

**Roller Table Restrictor Brush Kit
Assy No 46352C**



T2-SP326

**Omega Restrictor Brush Kit
Assy No 59896**



Machines from 2021

Restrictor Brush Kits

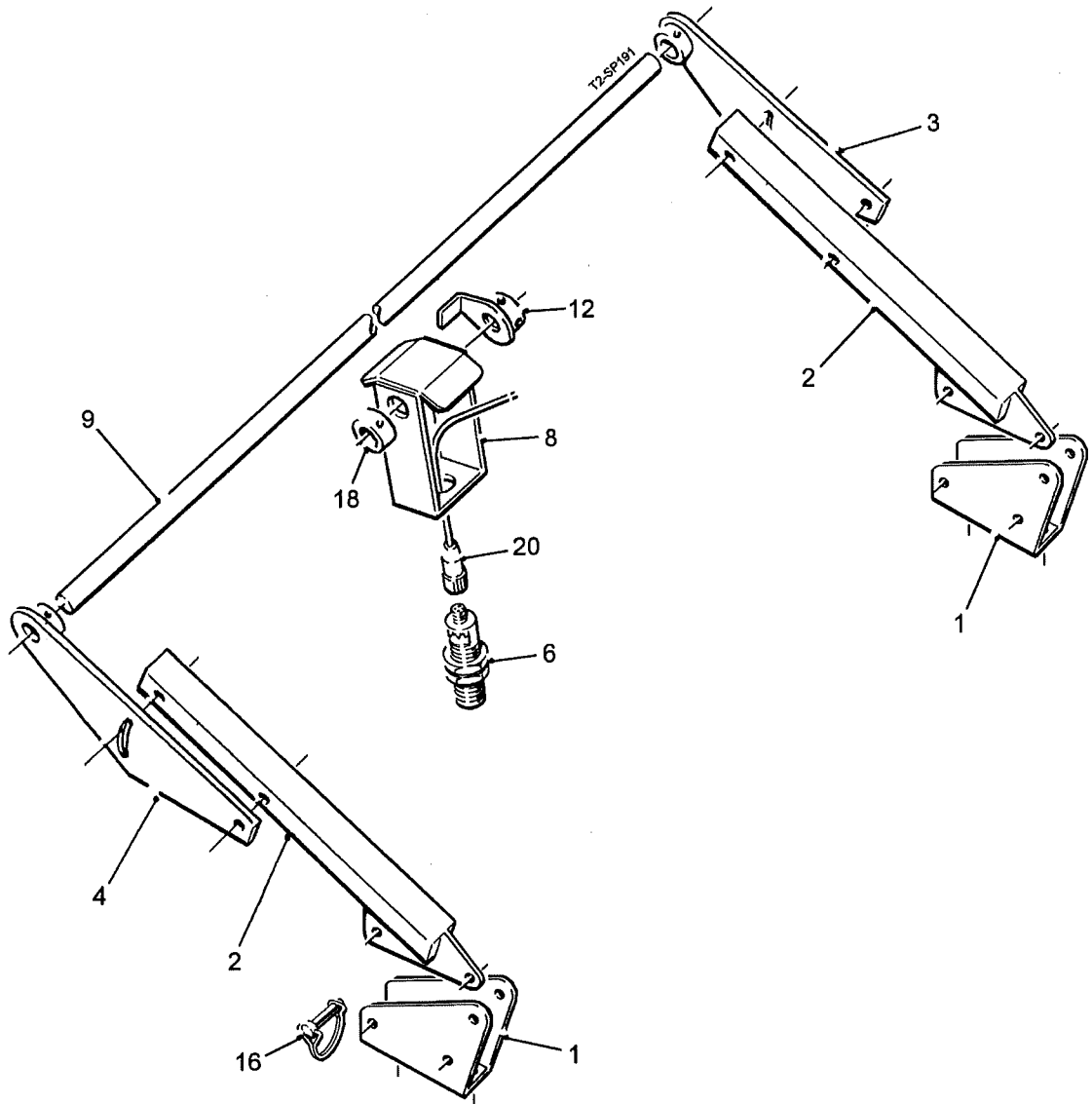
Item	Part No.	Description	Qty.	Remarks
	46352C	Roller Table Restrictor Brush Kit		
		Consists Of:		
1	59886C	Restrictor Brush	1	
2	44397C	Brush Mounting	1	
3				
	59896	Omega Restrictor Brush Kit		
		Consists Of:		
4	59886	Restrictor Brush	1	
5	59894	Brush Mounting	1	
6				

Machines from 2021

Elevator Auto-height Control Kit

1125mm Elevator - Assy No 59074

1300mm Elevator - Assy No 59857



12.15a**T2 SPARE PARTS**

Machines from 2021

Elevator Auto-height Control Kit

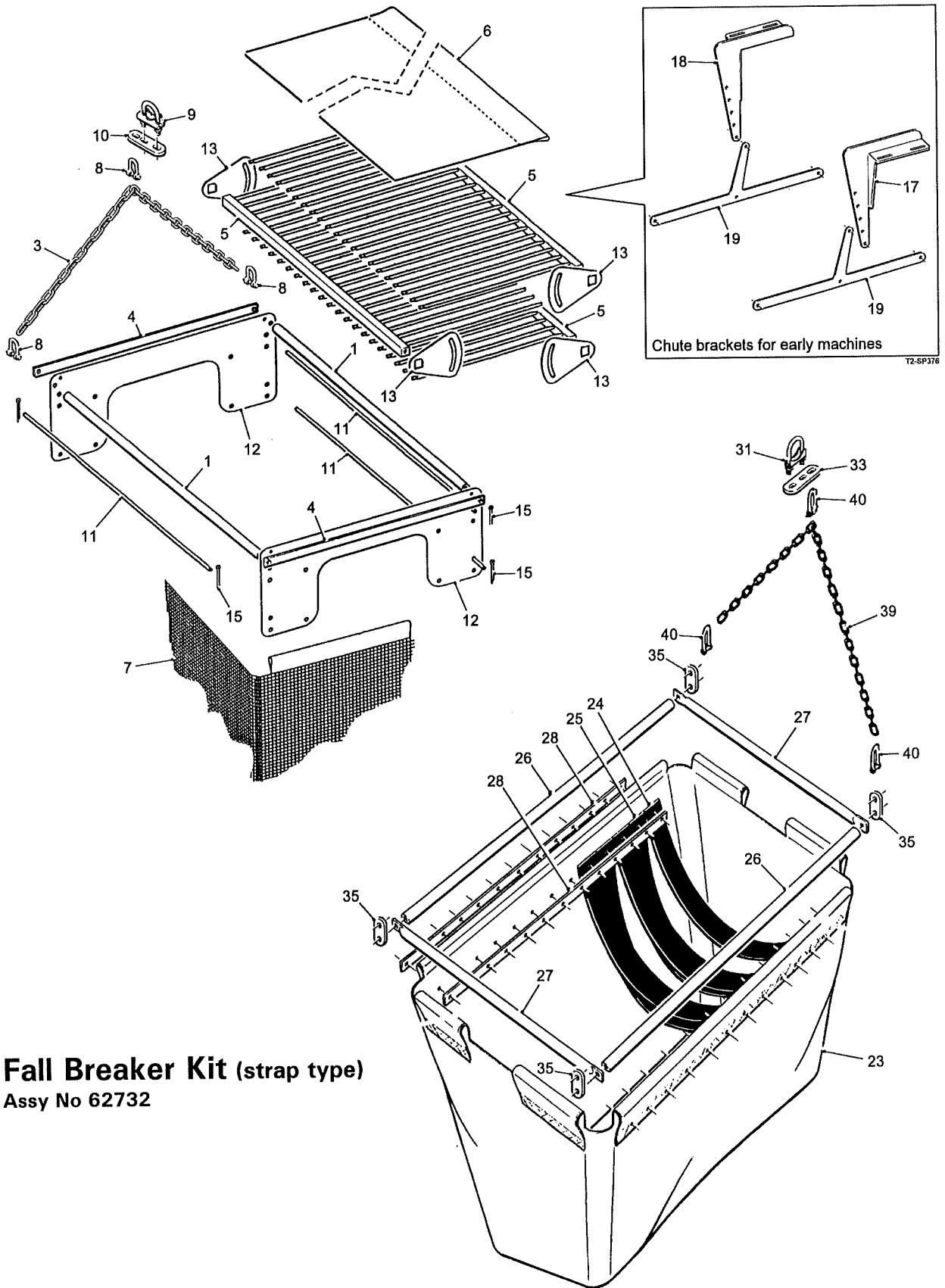
1125mm Elevator - Assy No 59074

1300mm Elevator - Assy No 59857

Item	Part No.	Description	Qty.	Remarks
1	37518	Mounting Bracket	2	
2	37519A	Support Arm	2	
3	37520	Rear Support Plate	1	
4	37521	Front Support Plate	1	
5				
6	54898	Ultrasonic Sensor	1	
7				
8	59940	Sensor Mounting Bracket	1	
9	59461	Pivot Bar	1	1125mm Elevator
	59856	Pivot Bar	1	1300mm Elevator
10				
11				
12	62934	Stop Plate	1	
13				
14				
15				
16	10282	Quick Release Pin	2	
17				
18	PS488M	Locking Collar	1	
19				
20	JK63720/6	Sensor Cable (20m)	1	

Machines from 2021

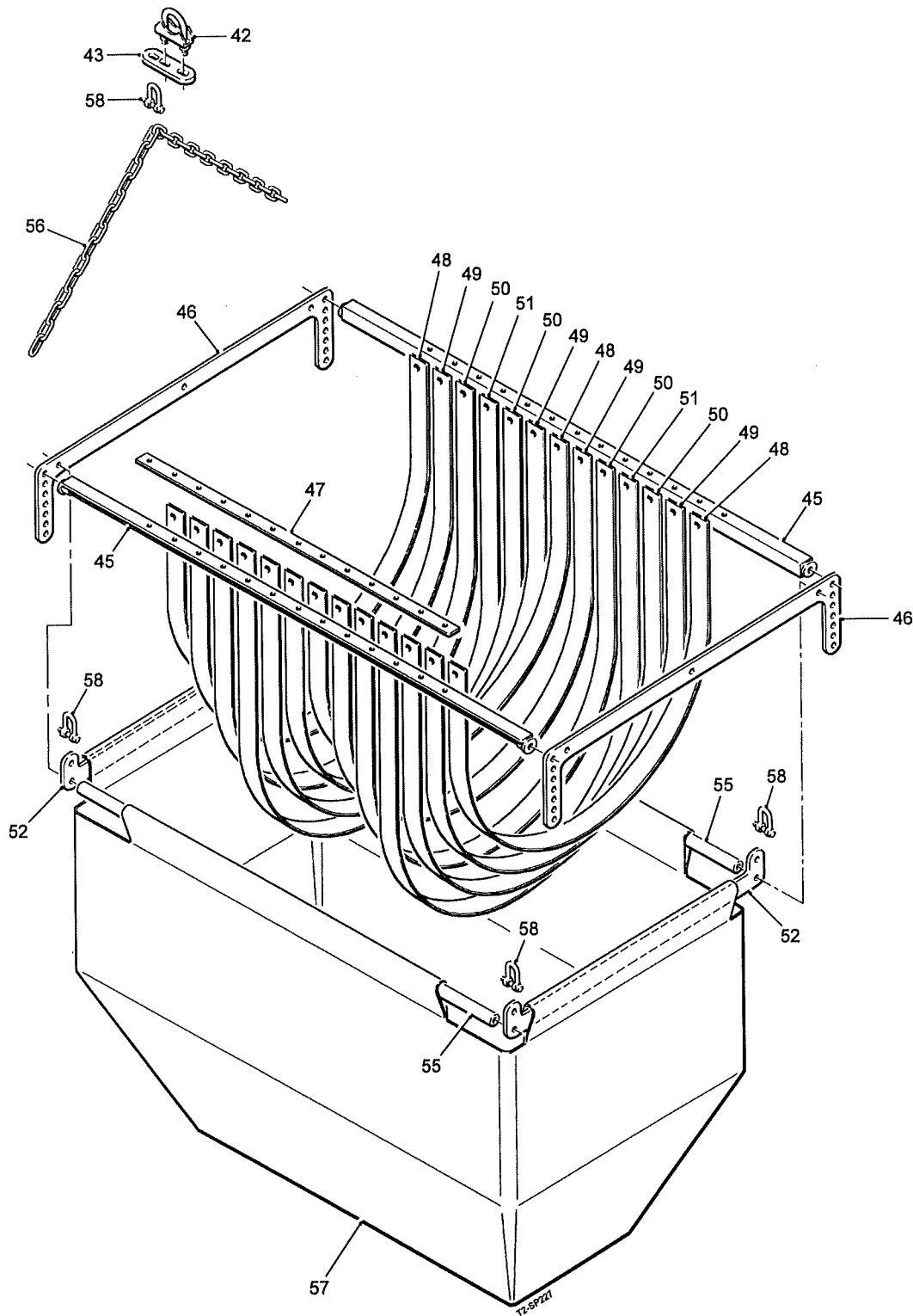
Fall Breaker Kit (cascade type)
Assy No 59073



Fall Breaker Kit (strap type)
Assy No 62732

Machines from 2021

Fall Breaker Kit (strap type)
Assy No 64205



Machines from 2021

Fall Breaker Kits

Item	Part No.	Description	Qty.	Remarks
	59073	Fall Breaker Kit (cascade type)		
		Consists Of:		
1	RPA610.311045	Spacer Bar (1300mm)	2	Standard
2				
3	PC622.311064	Chain	2	
4	RPC700.311051	Support Strip	2	
5	RPC700.311061	Nylon Brush Assembly (1300mm)	3	
6	RPC720.311053	Inner Flap (1300mm)	3	
7	RPC720.311054B	Chute Cascade Long (1300mm)	1	
	RPC720.311054	Chute Cascade Short (1300mm)	1	
8	RPGMRP099.00086	Shackle	6	
9	58122	Ø35 Clamp Complete	2	
10	59462	Support Plate	2	
11	RPM146.311047	Pin (1300mm)	3	
12	RPM225.311043	Plate	2	
13	RPM225.311044	Plate	6	
14				
15	22078003/032	Ø3x32mm Split Pin	6	
16				
17	62537	Front Chute Bracket	1	Early machines only
18	62538	Rear Chute Bracket	1	Early machines only
19	62949	Pivot plate	2	Early machines only
	62732	Fall Breaker Kit (strap type)		
		Consists Of:		
23	42831	PVC Chute	1	
24	42913/1200	Fall Breaker Strap (short)	7	
25	42913/1500	Fall Breaker Strap (long)	6	
26	42920	Tie Bar	2	
27	42921/1	Side Tube	2	
28	42929	Mounting Strip	4	
29				
30				
31	58122	Ø35 Clamp Complete	2	
32				
33	59462	Support Plate	2	
34				
35	62733	Shackle Plate	4	
36				
37				
38				
39	RPC622.311064	Chain	2	
40	RPGMRP099.00086	Shackle	6	
41				

Machines from 2021

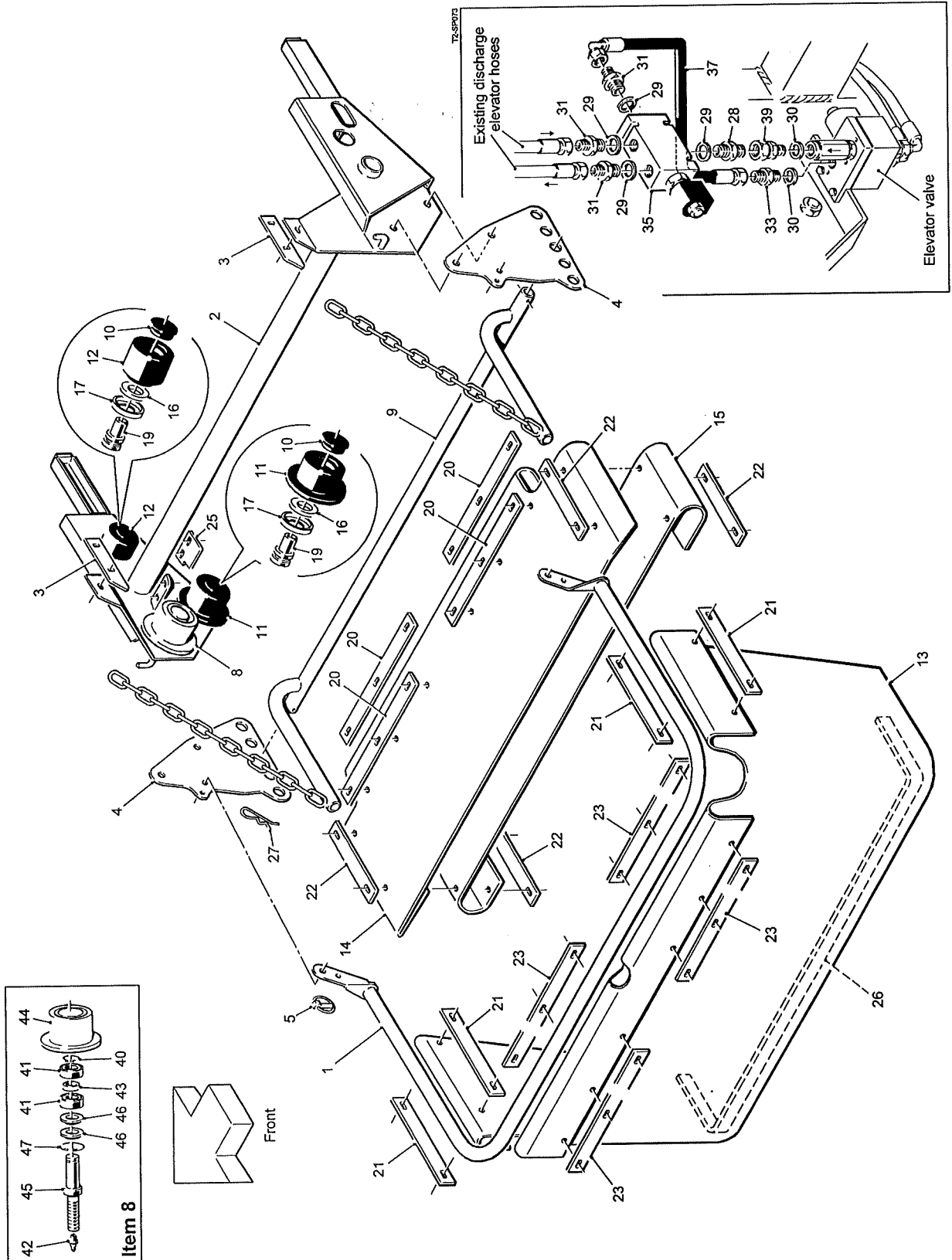
Fall Breaker Kits

Item	Part No.	Description	Qty.	Remarks
	64205	Fall Breaker Kit (strap type)		
		Consists Of:		
42	58122	Ø35 Clamp Complete	2	
43	59462	Support Plate	2	
44				
45	64160	Strap Support	2	
46	64166	Side Adjuster Plate	2	
47	64167	Clamp Strip		
48	64168/1970	Canvas Strap (1970mm)	3	
49	64168/2170	Canvas Strap (2170mm)	4	
50	64168/2370	Canvas Strap (2370mm)	4	
51	64168/2570	Canvas Strap (2570mm)	4	
52	64204	Support Plate	2	
53				
54				
55	RPA610.311045	Spacer Bar (1300mm)	2	
56	RPC622.311064	Chain	2	
57	RPC720.311054	Chute Cascade (1300mm)	1	
58	RPGMRP099.00086	Shackle	6	

Machines from 2021

Windrow Kits

1125mm - Assy No 59775
1300mm - Assy No 62526



12.17a**T2 SPARE PARTS**

Machines from 2021

Windrow Kits**1125mm - Assy No 59775****1300mm - Assy No 62526**

Item	Part No.	Description	Qty.	Remarks
1	59770	Top Rail	1	1125mm elevator
	62528	Top Rail	1	1300mm elevator
2	59771	Windrow Extension	1	1125mm elevator
	62527	Windrow Extension	1	1300mm elevator
3	59774	Joining Plate	2	
4	59873	Pivot Plate	2	
5	10282	Quick Release Pin	2	
6	59027A	Soft Drop Web Extension (1125mm)	1	(not shown)
	59332B	Standard Web Extension (1125mm)	1	(not shown)
	59756A	Standard Web Extension (1300mm)	1	(not shown)
7				
8	RPA510.309022	Flanged Roller Assembly	2	(see list at end)
9	RPA610.307959	Support	1	1125mm elevator
	62529	Support	1	1300mm elevator
10	RPC620.303070	Cap	4	
11	RPC700.300146	Ø95 Flanged Roller c/w Bearings	2	
12	RPC700.300148	Ø75 Plain Roller c/w Bearings	2	
13	64513/1125	Canvas Sheet (1125mm)	1	
	64513/1300	Canvas Sheet (1300mm)	1	
14	RPC730.307962	Rubber Sheet	1	1125mm elevator
	62531	Rubber Sheet	1	1300mm elevator
15	RPC730.307963	Rubber Sheet	1	1125mm elevator
	62532	Rubber Sheet	1	1300mm elevator
16	RPGM070.00446	Felt Seal	4	
17	RPGM089.00565	Roller Shield	4	
18				
19	RPM180.303071	Roller Bush	4	
20	RPM256.305092	Clamp Strip (3 hole)	4	
21	RPM256.305093	Clamp Strip (2 hole long)	4	
22	RPM256.305094	Clamp Strip (2 hole short)	4	
23	RPM256.305092	Clamp Strip (3 hole)	4	1125mm elevator
	62359	Clamp Strip (4 hole)	4	1300mm elevator
24				
25	RPW240.310380	Roller Scraper	2	

T2 SPARE PARTS

12.17b

Machines from 2021

Windrow Kits

1125mm - Assy No 59775

1300mm - Assy No 62526

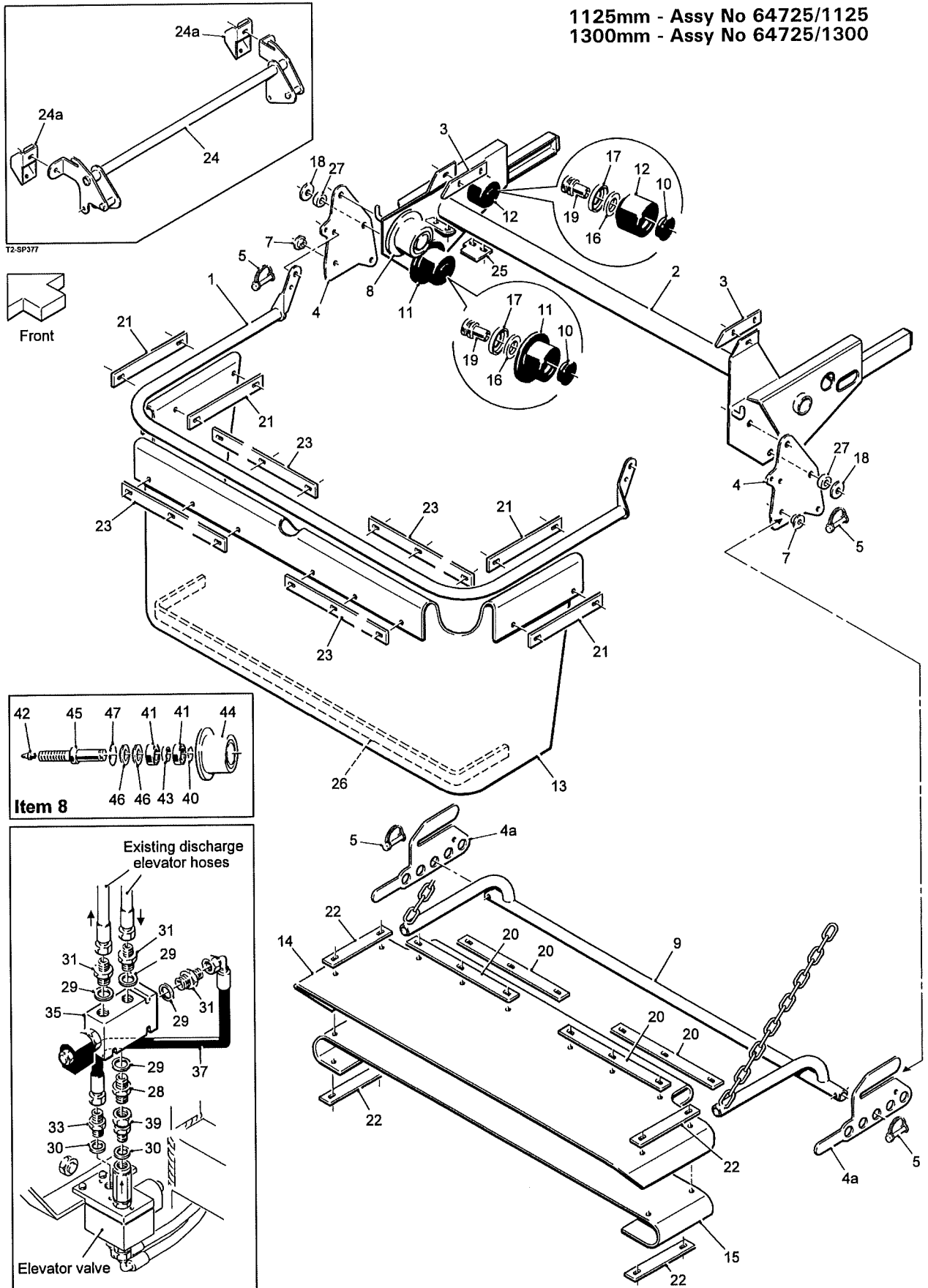
Item	Part No.	Description	Qty.	Remarks
26	RPS83/7 62760/1	Polycarb Flight (1125mm) Polycarb Flight (1300mm)	1 1	
27	H105	'R' Clip	2	
		Hydraulic Components Consist Of:		
28	11115	3/4"BSP M M Adaptor	1	
29	11123	3/4"BSP Dowty Seal	4	
30	11124	1/2"BSP Dowty Seal	2	
31	11295	1/2"BSP x 3/4"BSP M M Adaptor	3	
32				
33	12315	1/2"BSP M M Adaptor	1	
34				
35	51073	Hydraulic Valve	1	
36				
37	60490	1/2"Hose Assembly (500mm)	1	
38				
39	TBMW659	1/2"BSPMx3/4"BSP F Swivel Adaptor	1	
	RPA510.309022	Flanged Roller Assembly Consists Of:		
40	12298	Circlip	1	
41	6204	Bearing	2	
42	RPC648.061000	M6 Straight Grease Nipple	1	
43	64669	Spacer	1	
44	RPM156.300677	Flanged Roller	1	
45	RPM180.309021	Spindle	1	
46	RPS210.002042	Metal Seal	2	
47	W0113	Circlip	1	



Machines from Serial No T2-264

Window Kits

1125mm - Assy No 64725/1125
1300mm - Assy No 64725/1300



12.17a**T2 SPARE PARTS**

Machines from Serial No T2-264

Windrow Kits**1125mm - Assy No 64725/1125****1300mm - Assy No 64725/1300**

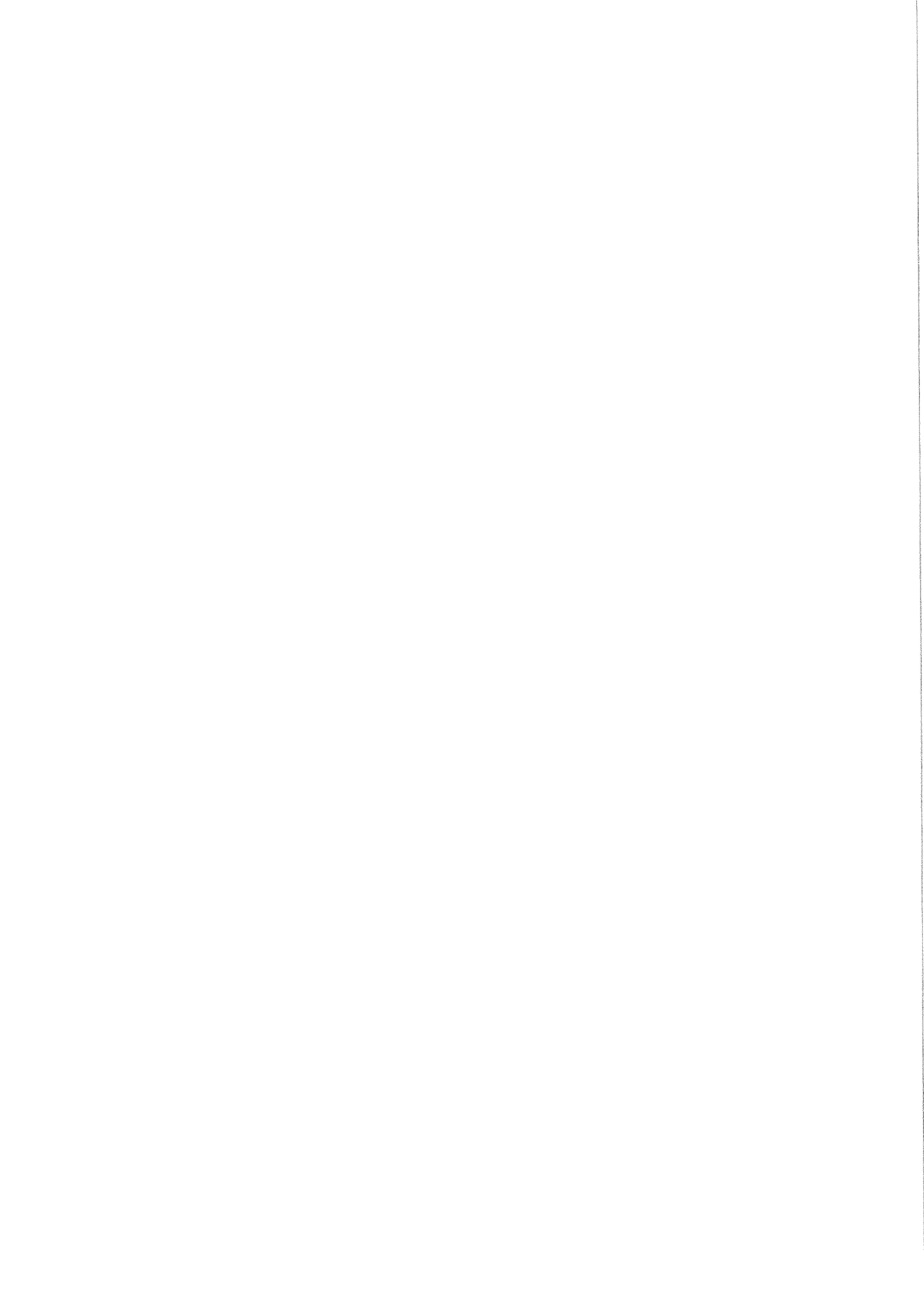
Item	Part No.	Description	Qty.	Remarks
1	59770	Top Rail	1	1125mm elevator
	62528	Top Rail	1	1300mm elevator
2	59771	Windrow Extension	1	1125mm elevator
	62527	Windrow Extension	1	1300mm elevator
3	59774	Joining Plate	2	
4	64717	Pivot Plate	2	
4a	64718	Latch Plate	2	
5	10282	Quick Release Pin	6	
6				
7	59754	Locating Washer	2	
8	RPA510.309022	Flanged Roller Assembly	2	(see list at end)
9	64724/1125	Support	1	1125mm elevator
	64724/1300	Support	1	1300mm elevator
10	RPC620.303070	Cap	4	
11	RPC700.300146	Ø95 Flanged Roller c/w Bearings	2	
12	RPC700.300148	Ø75 Plain Roller c/w Bearings	2	
13	64513/1125	Canvas Sheet (1125mm)	1	
	64513/1300	Canvas Sheet (1300mm)	1	
14	RPC730.307962	Rubber Sheet	1	1125mm elevator
	62531	Rubber Sheet	1	1300mm elevator
15	RPC730.307963	Rubber Sheet	1	1125mm elevator
	62532	Rubber Sheet	1	1300mm elevator
16	RPGM070.00446	Felt Seal	4	
17	RPGM089.00565	Roller Shield	4	
18	22046016C	M16 Flat Washer	2	
19	RPM180.303071	Roller Bush	4	
20	RPM256.305092	Clamp Strip (3 hole)	4	
21	RPM256.305093	Clamp Strip (2 hole long)	4	
22	RPM256.305094	Clamp Strip (2 hole short)	4	
23	RPM256.305092	Clamp Strip (3 hole)	4	1125mm elevator
	62359	Clamp Strip (4 hole)	4	1300mm elevator
24	64719/1125	Rear Carry Frame	1	1125mm elevator
	64719/1300	Rear Carry Frame	1	1300mm elevator
24a	70009	Fixing Bracket	2	Not used with picking table
25	RPW240.310380	Roller Scraper	2	

T2 SPARE PARTS**12.17b**

Machines from Serial No T2-264

Windrow Kits**1125mm - Assy No 64725/1125****1300mm - Assy No 64725/1300**

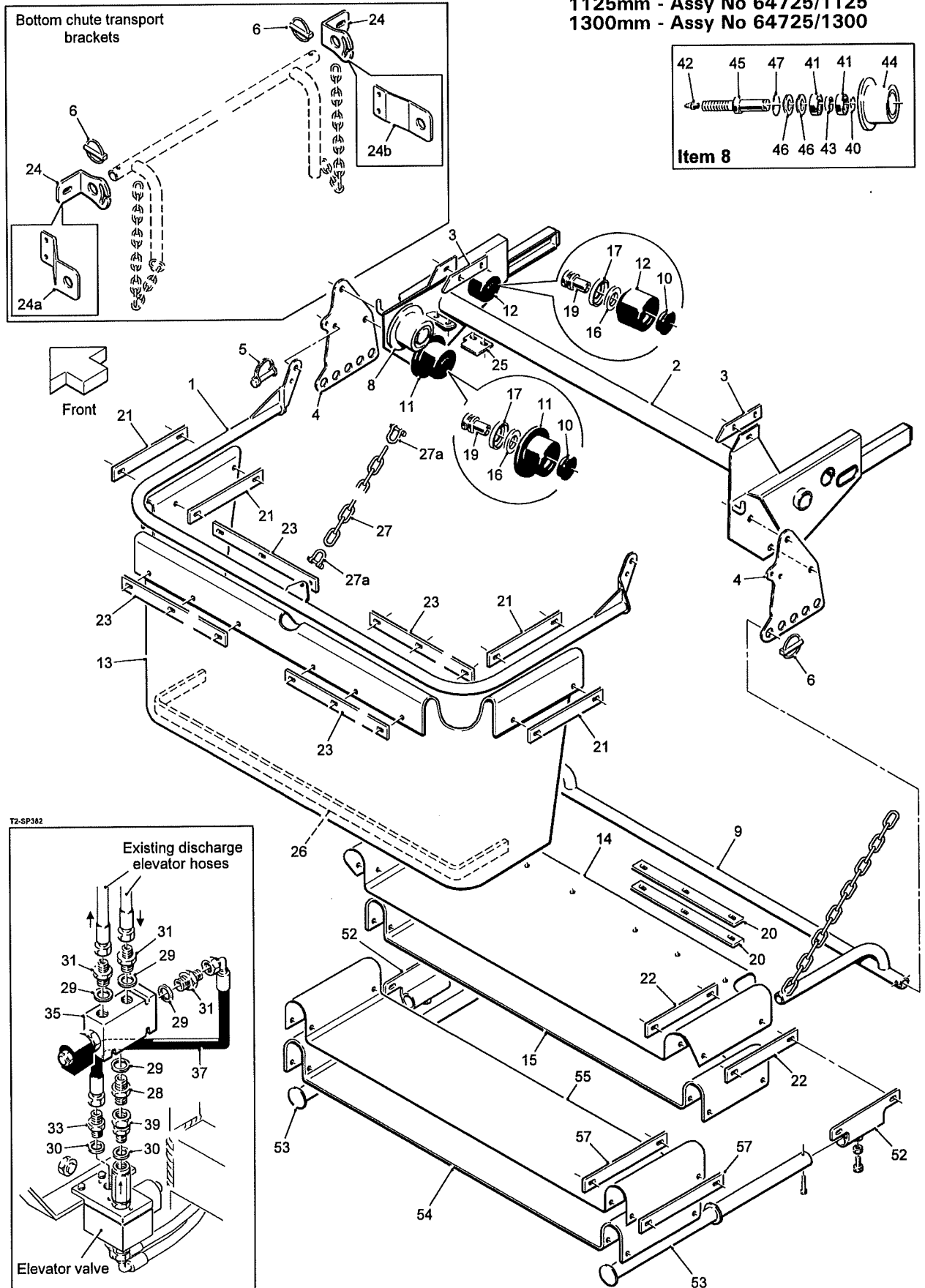
Item	Part No.	Description	Qty.	Remarks
26	RPS83/7	Polycarb Flight (1125mm)	1	
	62760/1	Polycarb Flight (1300mm)	1	
27	SS025017/010	Steel Spacer	2	
		Hydraulic Components Consist Of:		
28	11115	3/4"BSP M M Adaptor	1	
29	11123	3/4"BSP Dowty Seal	4	
30	11124	1/2"BSP Dowty Seal	2	
31	11295	1/2"BSP x 3/4"BSP M M Adaptor	3	
32				
33	12315	1/2"BSP M M Adaptor	1	
34				
35	51073	Hydraulic Valve	1	
36				
37	60490	1/2"Hose Assembly (500mm)	1	
38				
39	TBMW659	1/2"BSPMx3/4"BSP F Swivel Adaptor	1	
	RPA510.309022	Flanged Roller Assembly Consists Of:		
40	12298	Circlip	1	
41	6204	Bearing	2	
42	RPC648.061000	M6 Straight Grease Nipple	1	
43	64669	Spacer	1	
44	RPM156.300677	Flanged Roller	1	
45	RPM180.309021	Spindle	1	
46	RPS210.002042	Metal Seal	2	
47	W0113	Circlip	1	



Machines from Serial No T2-272

Window Kits

1125mm - Assy No 64725/1125
1300mm - Assy No 64725/1300



12.17a

T2 SPARE PARTS

Machines from Serial No T2-272

Windrow Kits

1125mm - Assy No 64725/1125

1300mm - Assy No 64725/1300

Item	Part No.	Description	Qty.	Remarks
1	59770	Top Chute Rail	1	1125mm elevator
	62528	Top Chute Rail	1	1300mm elevator
2	59771	Windrow Extension	1	1125mm elevator
	62527	Windrow Extension	1	1300mm elevator
3	59774	Joining Plate	2	
4	59873	Pivot Plate	2	
5	10282	Quick Release Pin	2	
6	RPF232.060000	Linch Pin	2	
7				
8	RPA510.309022	Flanged Roller Assembly	2	(see list at end)
9	64724/1125	Bottom Chute Support	1	1125mm elevator
	64724/1300	Bottom Chute Support	1	1300mm elevator
10	RPC620.303070	Cap	4	
11	RPC700.300146	Ø95 Flanged Roller c/w Bearings	2	
12	RPC700.300148	Ø75 Plain Roller c/w Bearings	2	
13	64513/1125	Canvas Sheet (1125mm)	1	
	64513/1300	Canvas Sheet (1300mm)	1	
14	RPC730.307962	PVC Sheet	1	1125mm elevator
	62531	PVC Sheet	1	1300mm elevator
15	RPC730.307963	Rubber Sheet	1	1125mm elevator
	62532	Rubber Sheet	1	1300mm elevator
16	RPGM070.00446	Felt Seal	4	
17	RPGM089.00565	Roller Shield	4	
18				
19	RPM180.303071	Roller Bush	4	
20	RPM256.305092	Clamp Strip (3 hole)	4	
21	RPM256.305093	Clamp Strip (2 hole long)	4	
22	RPM256.305094	Clamp Strip (2 hole short)	4	
23	RPM256.305092	Clamp Strip (3 hole)	4	1125mm elevator
	62359	Clamp Strip (4 hole)	4	1300mm elevator
24	70081	Chute Transport Bracket	2	Rear mounted
24a	70244LH	Chute Transport Bracket LH	1	Side mounted
24b	70244RH	Chute Transport Bracket RH	1	Side mounted
25	RPW240.310380	Roller Scraper	2	
26	RPS83/7	Polycarb Flight (1125mm)	1	
	62760/1	Polycarb Flight (1300mm)	1	

T2 SPARE PARTS**12.17b**

Machines from Serial No T2-272

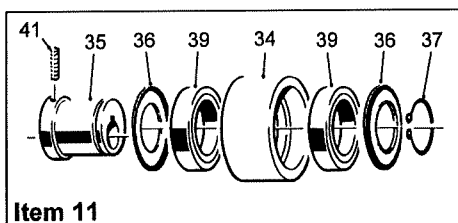
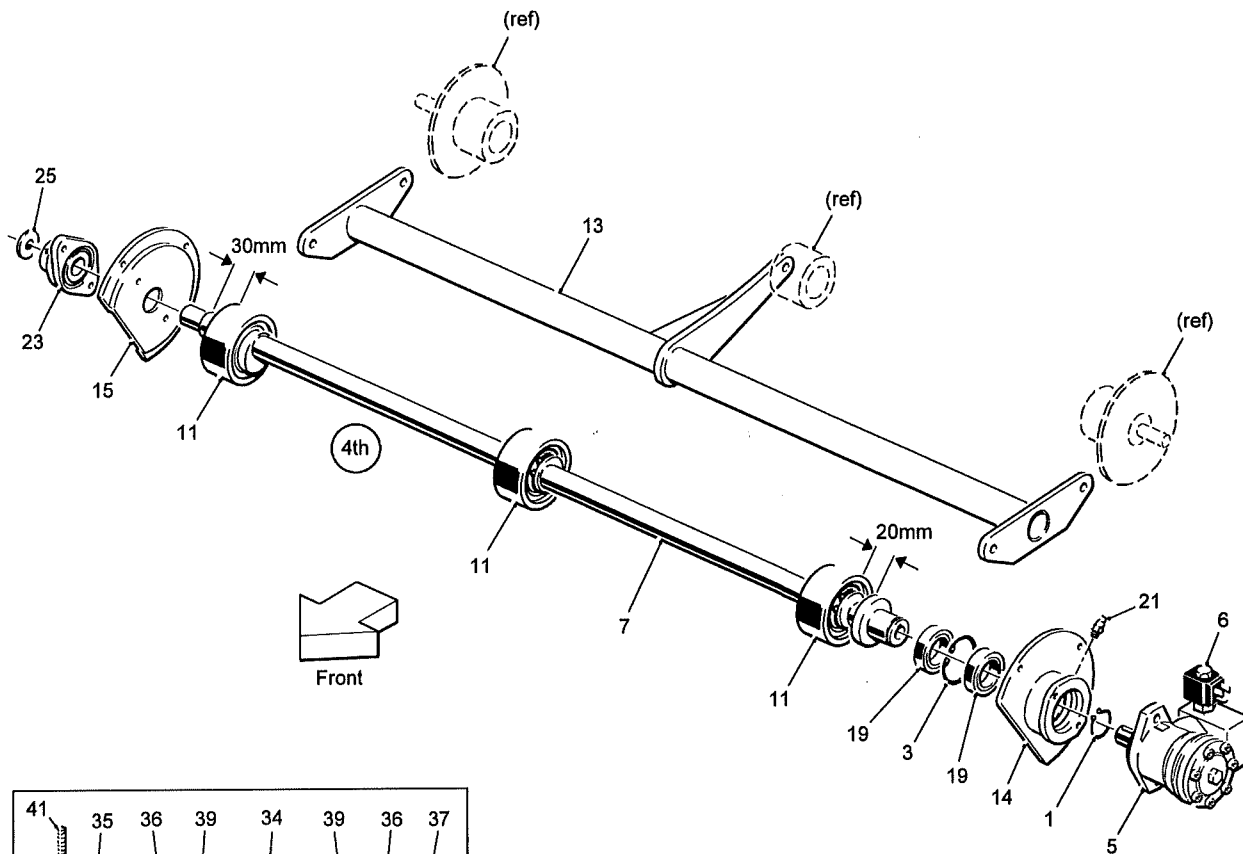
Windrow Kits**1125mm - Assy No 64725/1125****1300mm - Assy No 64725/1300**

Item	Part No.	Description	Qty.	Remarks
27	RPCH402205/30	Chain	1	
27a	RPGMRP099.00086	Ø8 'D' Shackle	2	
		Hydraulic Components Consist Of:		
28	11115	3/4"BSP M M Adaptor	1	
29	11123	3/4"BSP Dowty Seal	4	
30	11124	1/2"BSP Dowty Seal	2	
31	11295	1/2"BSP x 3/4"BSP M M Adaptor	3	
32				
33	12315	1/2"BSP M M Adaptor	1	
34				
35	51073	Hydraulic Valve	1	
36				
37	60490	1/2"Hose Assembly (500mm)	1	
38				
39	TBMW659	1/2"BSPMx3/4"BSP F Swivel Adaptor	1	
	RPA510.309022	Flanged Roller Assembly Consists Of:		
40	12298	Circlip	1	
41	6204	Bearing	2	
42	RPC648.061000	M6 Straight Grease Nipple	1	
43	64669	Spacer	1	
44	RPM156.300677	Flanged Roller	1	
45	RPM180.309021	Spindle	1	
46	RPS210.002042	Metal Seal	2	
47	W0113	Circlip	1	
	70051	Windrow Extension Kit 1125mm		
	70051A	Windrow Extension Kit 1300mm		
		Consist Of:		
50				
51				
52	70047	Tube Support Bracket	2	
53	70048	Extension Tube	2	
54	70049	Rubber Sheet	1	1125mm elevator
	70049A	Rubber Sheet	1	1300mm elevator
55	70050	PVC Sheet	1	1125mm elevator
	70050A	PVC Sheet	1	1300mm elevator
56				
57	RP305094A	Clamp Strip	4	
		Elevator Web Extensions		
60	59332B	Standard Web Extension (1125mm)	1	(not shown)
	59756A	Standard Web Extension (1300mm)	1	(not shown)
	64657C	Soft Drop Web Extension (1125mm)	1	(not shown)
	64657A	Soft Drop Web Extension (1125mm)	1	Prior to T2-275



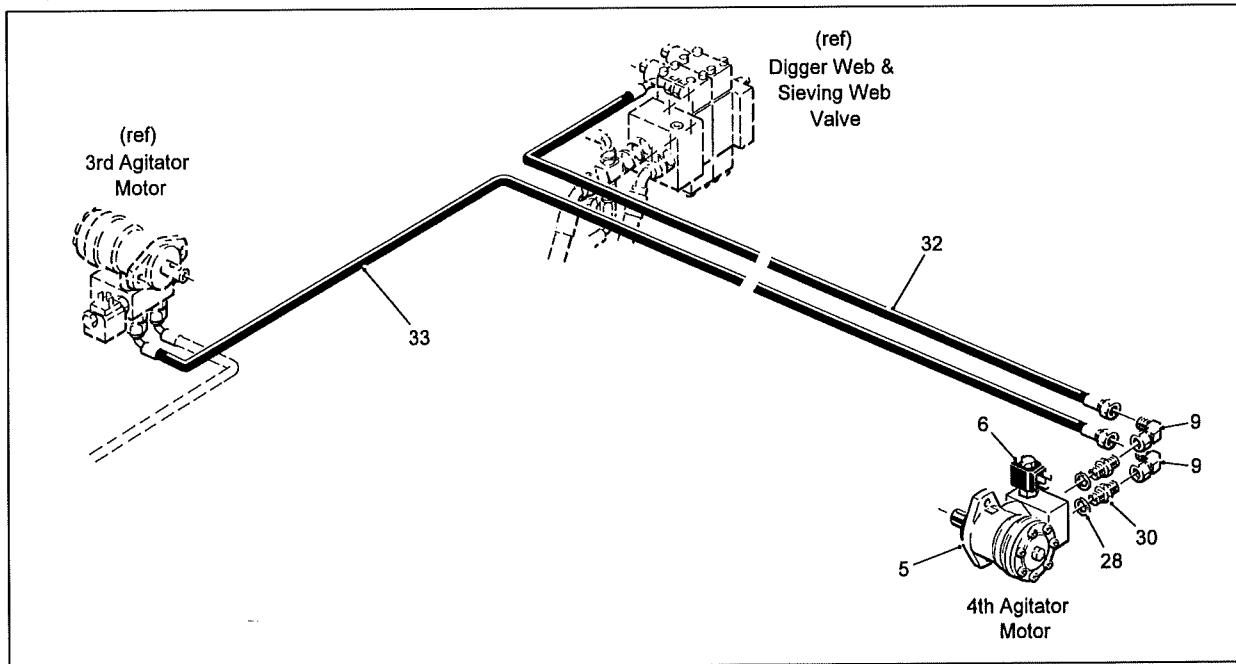
Machines from 2021

4th Agitator Assembly Assy No 64985A



Item 11

T2-SP359



12.18a**T2 SPARE PARTS**

Machines from 2021

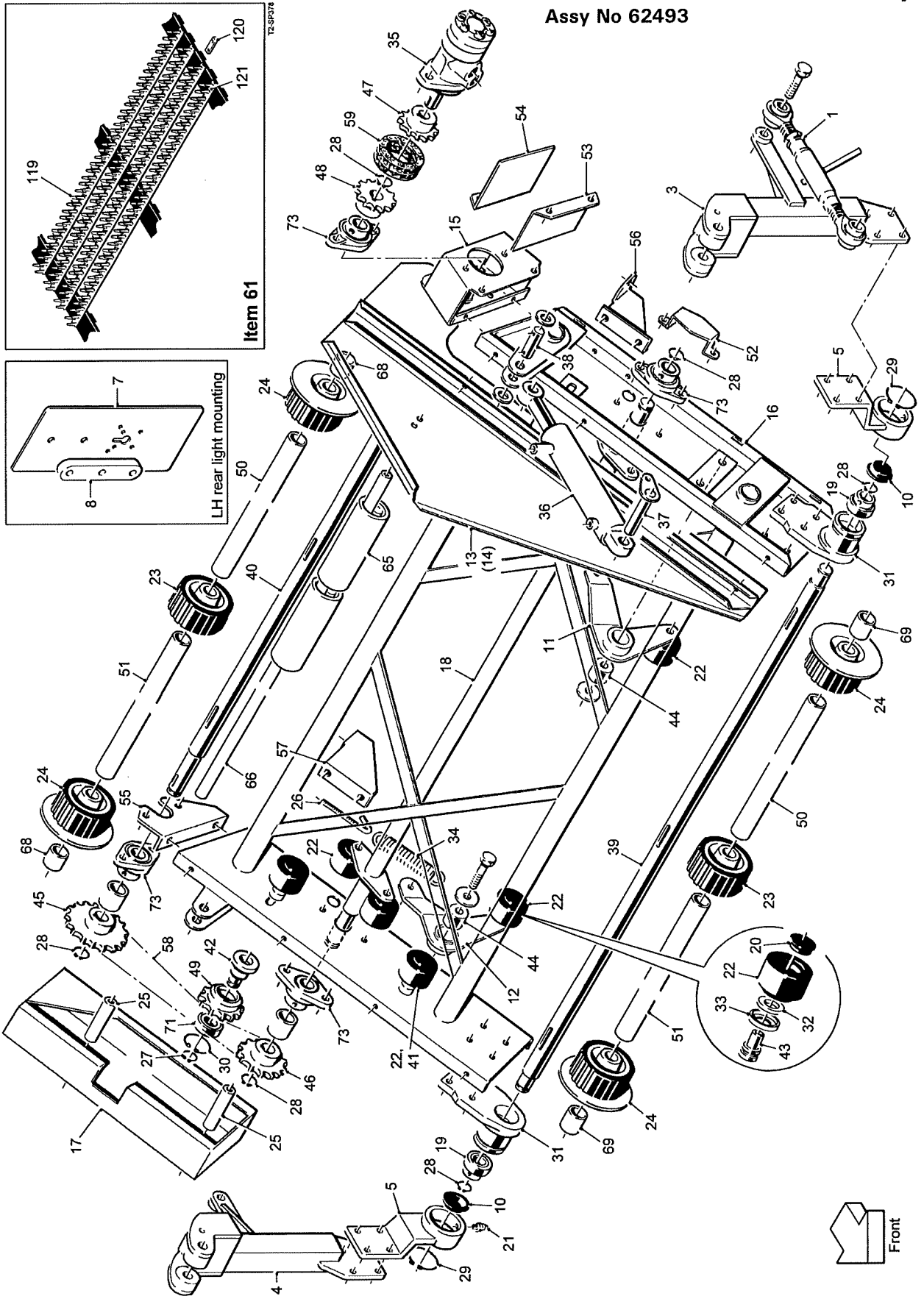
4th Agitator Assembly

Assy No 64985A

Item	Part No.	Description	Qty.	Remarks
1	33130/16	Ø50 External Circlip	1	
2				
3	46564	Ø90 Internal Circlip	1	
4				
5	59108	Hydraulic Motor	1	
6	59215	Hydraulic Motor Valve	1	
7	59224	Agitator Shaft	1	
8				
9	32475	1/2"BSP M F Compact 90°Adaptor	2	
10				
11	62498	Ø152 Eccentric Roller Assembly	3	(see list at end)
12				
13	64833A	Roller Support Frame	1	
14	64986	Motor Mounting	1	
15	64987	Bearing Mounting	1	
16				
17				
18				
19	6210RS	Bearing	2	
20				
21	RPC648.081250	M8 Straight Grease Nipple	1	
22				
23	SFT35	Bearing	1	
24				
25	SS040009/003	Steel Spacer	1	
26				
27				
28	11124	1/2"BSP Dowty Seal	2	
29				
30	12315	1/2"BSP M M Adaptor	2	
31				
32	60875	1/2"Hose Assembly (4250mm)	1	
33	44643	1/2"Hose Assembly (4000mm)	1	
	62498	Ø152 Eccentric Roller Assembly		
		Consists Of:		
34	62495	Ø152 Roller	1	
35	62496	Eccentric Hub	1	
36	62497	Ø140xØ80 Seal	2	
37	37443	Ø80 External Circlip	1	
38				
39	6216RS	Bearing	2	
40				
41	22018008/030	M8 Grub Screw	1	

Machines from 2021

Haulm Elevator Assembly
Assy No 62493

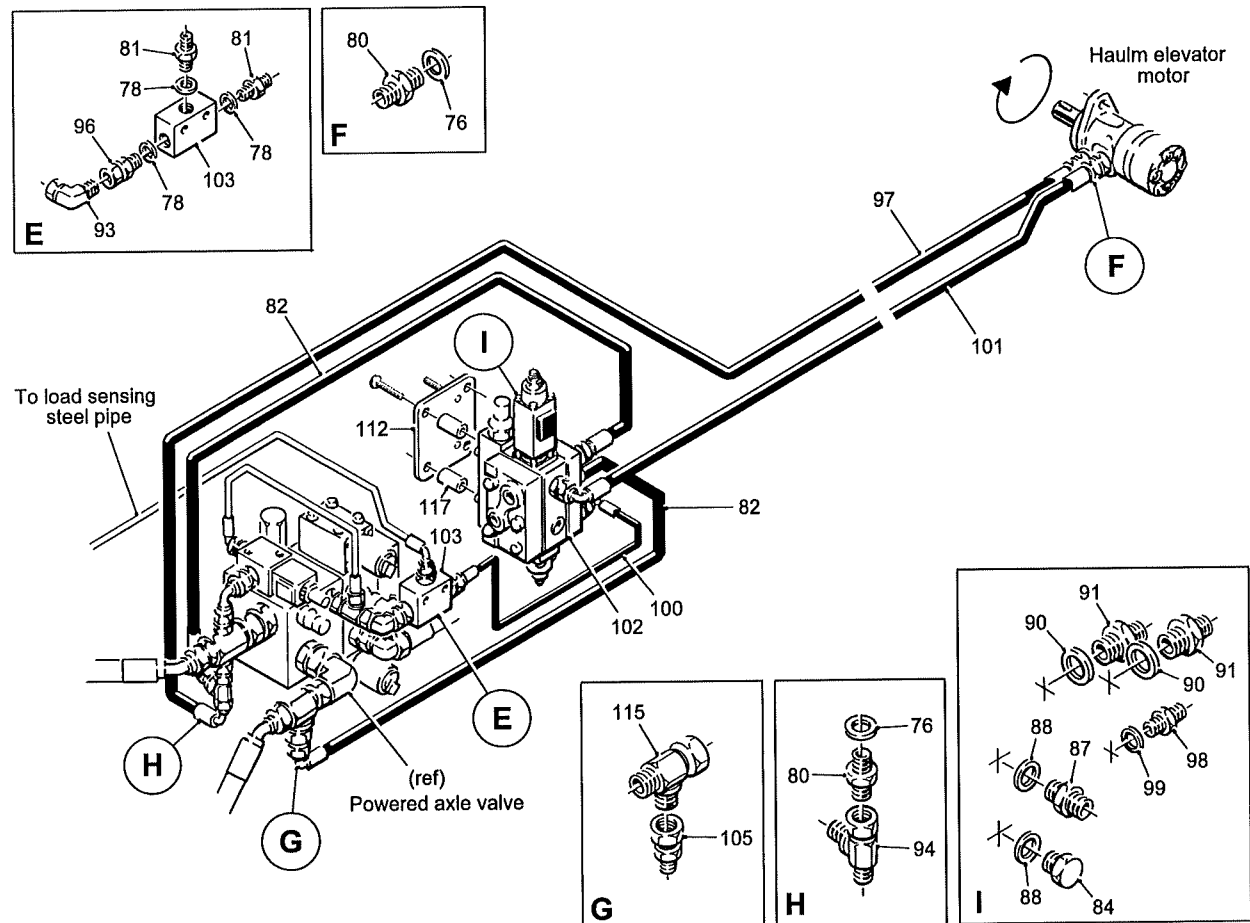
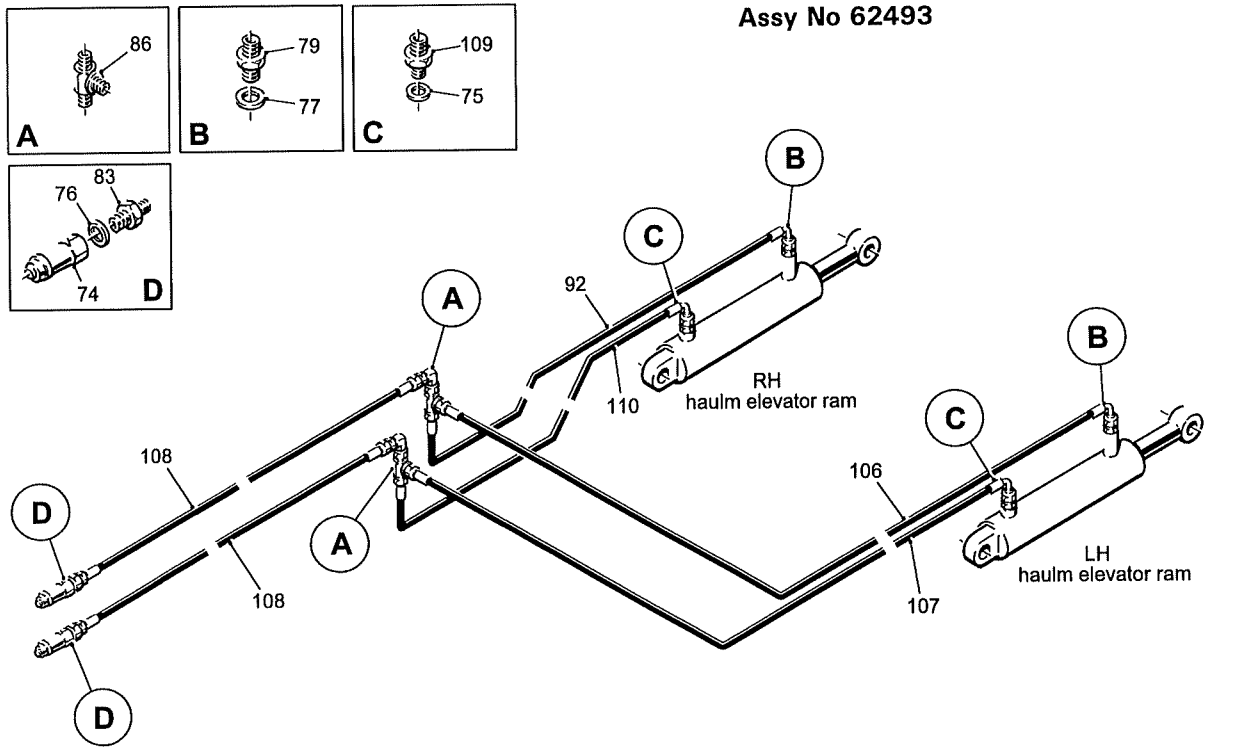


12.19a

T2 SPARE PARTS

Machines from 2021

Haulm Elevator Assembly Assy No 62493



T2-SP085

T2 SPARE PARTS**12.19b**

Machines from 2021

Haulm Elevator Assembly**Assy No 62493**

Item	Part No.	Description	Qty.	Remarks
1	54327	Top Link Assembly	2	
2				
3	62520	LH Mounting Bracket	1	
4	62521	RH Mounting Bracket	1	
5	62522	Pivot Arm	2	
6				
7	59285A	LH Rear Light Bracket	1	
8	64429	Spacer Plate	1	
9				
10	RPGM088.00014	Cap	2	
11	RPA610.304591	LH Arm	1	
12	RPA610.304592	RH Arm	1	
13	RPA610.307351	LH Side Panel	1	
14	RPA610.307352	RH Side Panel	1	(not shown)
15	RPA610.309212	Motor Mounting	1	
16	RPA610.309216	Haulm Elevator Frame	1	
17	RPA610.309248	Drive Guard	1	
18	RPA610.309249	Agitator Shaft	1	
19	RPB210.012062	Bearing	2	
20	RPC620.303070	Plastic Cap	10	
21	RPC648.081250	M8 Grease Nipple	2	
22	RPC700.300148	Ø75 Roller c/w Bearings	10	
23	RPC700.301543	Plain Roller	2	
24	RPC700.303613	Flanged Roller	4	
25	RPC700.309252	Guard Spacer	2	
26	RPF128.110130	M10 Hook Bolt	2	
27	RPF200.025200	Ø25 External Circlip	1	
28	RPF200.030200	Ø30 External Circlip	6	
29	RPF200.075250	Ø75 External Circlip	2	
30	RPF202.052200	Ø52 Internal Circlip	1	
31	RPGM006.00336	Pivot Housing	2	
32	RPGM070.00446	Felt Seal Ring	10	
33	RPGM089.00565	Roller Shield	10	
34	RPGM097.00021	Tension Spring	2	
35	44563	Hydraulic Motor	1	
36	RPH872.304385	Hydraulic Ram	2	
37	12136	Pivot Pin	2	
38	RPM146.305187	Pivot Pin	2	
39	RPM162.309156	Shaft	1	
40	RPM162.309157	Drive Shaft	1	
41	RPM176.306320	30mm Spacer	4	
42	RPM178.300391	Spigot	1	
43	RPM180.303071	Pivot Bush	10	
44	RPM180.304588	Spindle	2	
45	RPM182.300347	24T 3/4"Pitch Sprocket	1	
46	RPM182.300349	18T 3/4"Pitch Sprocket	1	
47	RPM182.300350	12T 3/4"Pitch Sprocket	1	
48	64426	12T 3/4"Pitch Sprocket	1	
49	RPM182.300390	15T 3/4"Pitch Idler Sprocket	1	
50	RPM192.305235	Spacer Tube (short)	2	
51	RPM192.305236	Spacer Tube (long)	2	
52	RPM216.301080	End Guard	1	
53	RPM224.309143	Panel	1	
54	RPM224.309150	Panel	1	
55	RPM225.304549	RH Mounting Plate	1	

12.19c**T2 SPARE PARTS**

Machines from 2021

Haulm Elevator Assembly

Assy No 62493

Item	Part No.	Description	Qty.	Remarks
56	RPM225.309134	LH Spring Plate	1	
57	RPM225.309135	RH Spring Plate	1	
58	RPT732.620064	3/4"Pitch Drive Chain	1	
59	RPT738.600012	3/4"Pitch Duplex Drive Chain	1	
60				
61	RPW300.307424	40mm Pitch Pintle Belt Assembly	1	(see list at end)
62				
63				
64				
65	64436	Weight Tube	6	
66	64437	Tie Bar	1	
67				
68	SS042036/048	Steel Spacer	2	
69	SS042036/053	Steel Spacer	2	
70				
71	62052RS	Bearing	1	
72				
73	SFT30	Bearing	4	
		Hydraulic Components Consist Of:		
74	10140	1/2"BSP Male Probe	2	
75	11294	1/8"BSP Dowty Seal	2	
76	11124	1/2"BSP Dowty Seal	5	
77	11125	3/8"BSP Dowty Seal	2	
78	11337	1/4"BSP Dowty Seal	3	
79	11336	1/4"BSPx3/8"BSP M M Adaptor	2	
80	12315	1/2"BSP M M Adaptor	3	
81	12316	1/4"BSP M M Adaptor	2	
82	60438	1/2"Hose Assembly (600mm)	2	
83	16356	1/4"x1/2"BSP M M Adaptor	2	
84	16454	M18 Blanking Plug	1	
85				
86	27449	1/4"BSP MMM Tee	2	
87	27459	M18x1/2"BSP M M Adaptor	1	
88	27461	M18 Dowty Seal	2	
89				
90	31167	M22 Dowty Seal	2	
91	31168	M22x1/2"BSP M M Adaptor	2	
92	36229	1/4"Hose Assembly (2500mm)	1	
93	32474	1/4"BSP M F Compact 90°Adaptor	1	
94	37367	1/2"BSP FMM Tee	1	
95				
96	41484	1/4"BSP M F Swivel Adaptor	1	
97	-	1/2"Hose Assembly (****mm)	1	
98	44207	M14x1/4"BSP M M Adaptor	1	
99	44208	M14 Dowty Seal	1	
100	13187	1/4"Hose Assembly (700mm)	1	
101	-	1/2"Hose Assembly (****mm)	1	
102	59643	Valve Block Assembly	1	
103	59644	1/4"BSP 3 Port Shuttle Valve	1	
104				

T2 SPARE PARTS

12.19d

Machines from 2021

Haulm Elevator Assembly

Assy No 62493

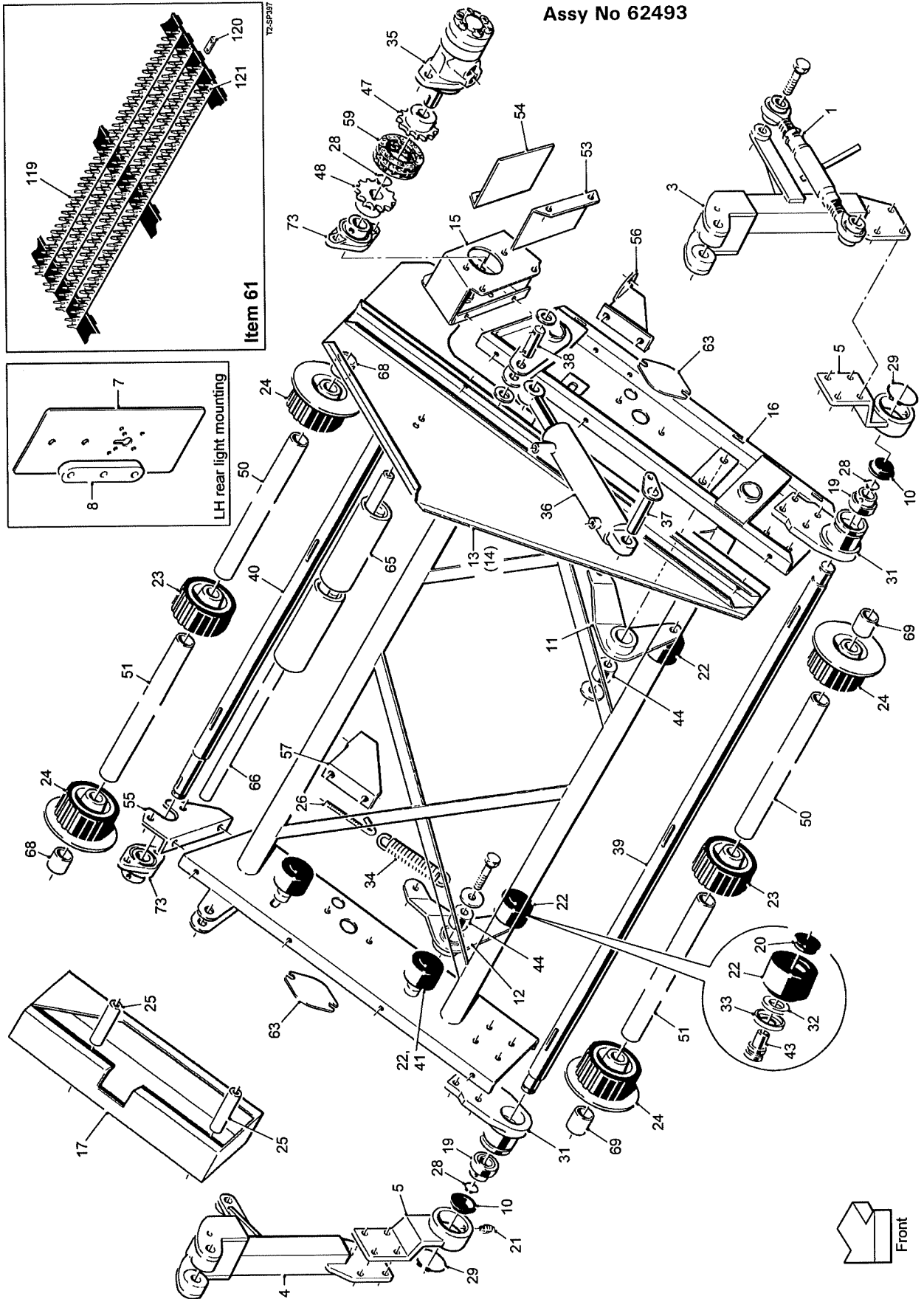
Item	Part No.	Description	Qty.	Remarks
105	60544	1"BSP FMx1/2"BSPM Swivel Adaptor	1	
106	60596	1/4"Hose Assembly (4600mm)	1	
107	60599	1/4"Hose Assembly (4400mm)	1	
108	60610	1/4"Hose Assembly (12000mm)	2	
109	60392	1/8"BSPx1/4"BSP M M Adaptor	2	
110	60172	1/4"Hose Assembly (2300mm)	1	
111				
112	64181	Adaptor Plate	1	
113				
114				
115	RPH724.111616	1"BSP FMM Tee	2	
116				
117	SS025011/050	Steel Spacer	4	
118				
	RPW300.307424	40mm Pitch Pintle Belt Consists Of:		
119	RPW300.307424/1	Pintle Bar	58	
120	KA16048	Clamp Plate	174	
121	DIN661 5x25	Ø5x25 Rivet	348	



Machines from 2022

Haulm Elevator Assembly

Assy No 62493



T2 SPARE PARTS**12.19b**

Machines from 2022

Haulm Elevator Assembly**Assy No 62493**

Item	Part No.	Description	Qty.	Remarks
1	54327	Top Link Assembly	2	
2				
3	62520	LH Mounting Bracket	1	
4	62521	RH Mounting Bracket	1	
5	62522	Pivot Arm	2	
6				
7	59285A	LH Rear Light Bracket	1	
8	64429	Spacer Plate	1	
9				
10	RPGM088.00014	Cap	2	
11	RPA610.304591	LH Arm	1	
12	RPA610.304592	RH Arm	1	
13	RPA610.307351	LH Side Panel	1	
14	RPA610.307352	RH Side Panel	1	(not shown)
15	RPA610.309212	Motor Mounting	1	
16	RPA610.309216	Haulm Elevator Frame	1	
17	RPA610.309248	Drive Guard	1	
18				
19	RPB210.012062	Bearing	2	
20	RPC620.303070	Plastic Cap	6	
21	RPC648.081250	M8 Grease Nipple	2	
22	RPC700.300148	Ø75 Roller c/w Bearings	6	
23	RPC700.301543	Plain Roller	2	
24	RPC700.303613	Flanged Roller	4	
25	RPC700.309252	Guard Spacer	2	
26	RPF128.110130	M10 Hook Bolt	2	
27				
28	RPF200.030200	Ø30 External Circlip	4	
29	RPF200.075250	Ø75 External Circlip	2	
30				
31	RPGM006.00336	Pivot Housing	2	
32	RPGM070.00446	Felt Seal Ring	6	
33	RPGM089.00565	Roller Shield	6	
34	RPGM097.00021	Tension Spring	2	
35	44563	Hydraulic Motor	1	
36	RPH872.304385	Hydraulic Ram	2	
37	12136	Pivot Pin	2	
38	RPM146.305187	Pivot Pin	2	
39	RPM162.309156	Shaft	1	
40	RPM162.309157	Drive Shaft	1	
41	RPM176.306320	30mm Spacer	4	
42				
43	RPM180.303071	Pivot Bush	6	
44	RPM180.304588	Spindle	2	
45				
46				
47	RPM182.300350	12T 3/4"Pitch Sprocket	1	
48	64426	12T 3/4"Pitch Sprocket	1	
49				
50	RPM192.305235	Spacer Tube (short)	2	
51	RPM192.305236	Spacer Tube (long)	2	
52				
53	RPM224.309143	Panel	1	
54	RPM224.309150	Panel	1	
55	RPM225.304549	RH Mounting Plate	1	

12.19c

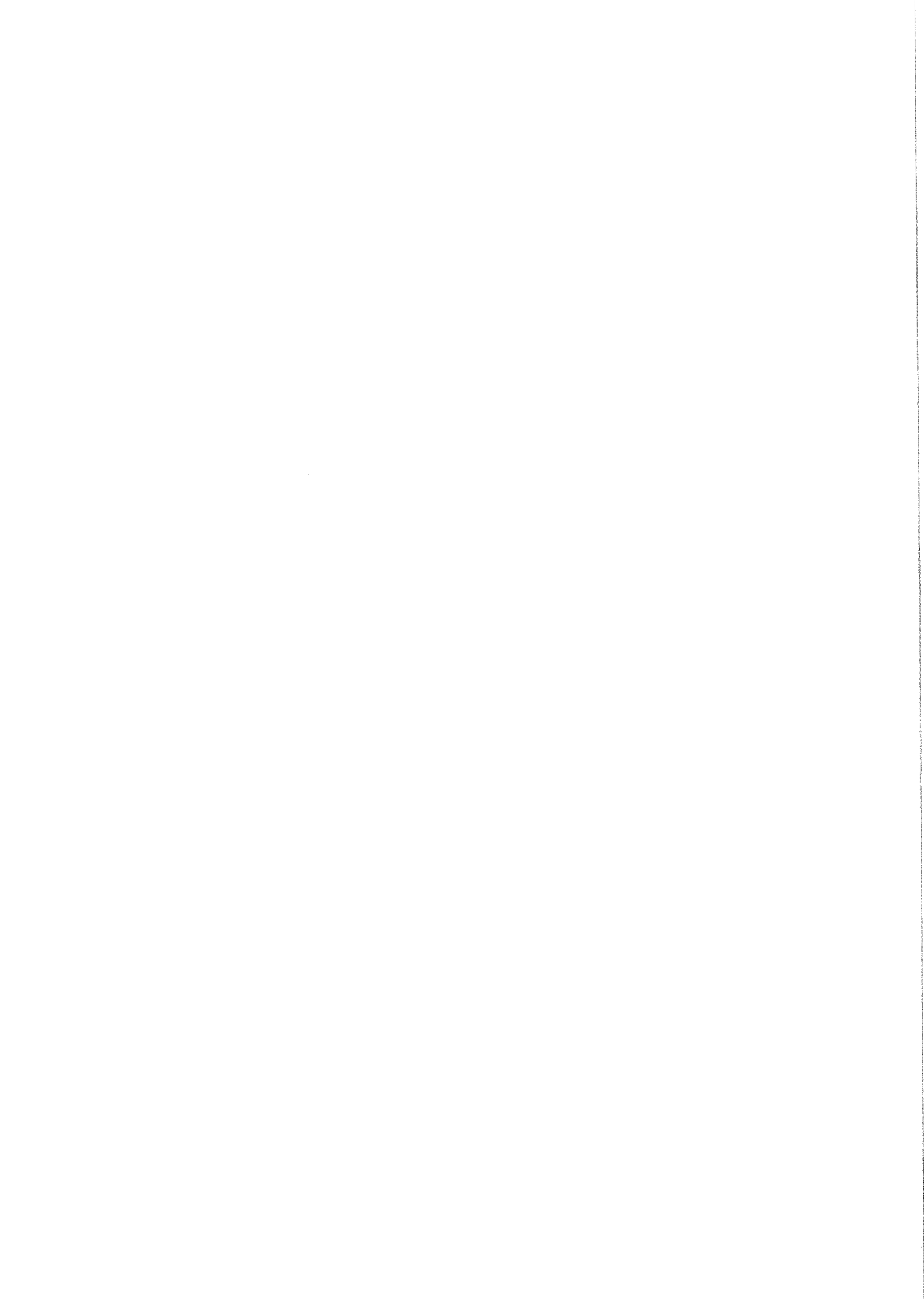
T2 SPARE PARTS

Machines from 2022

Haulm Elevator Assembly

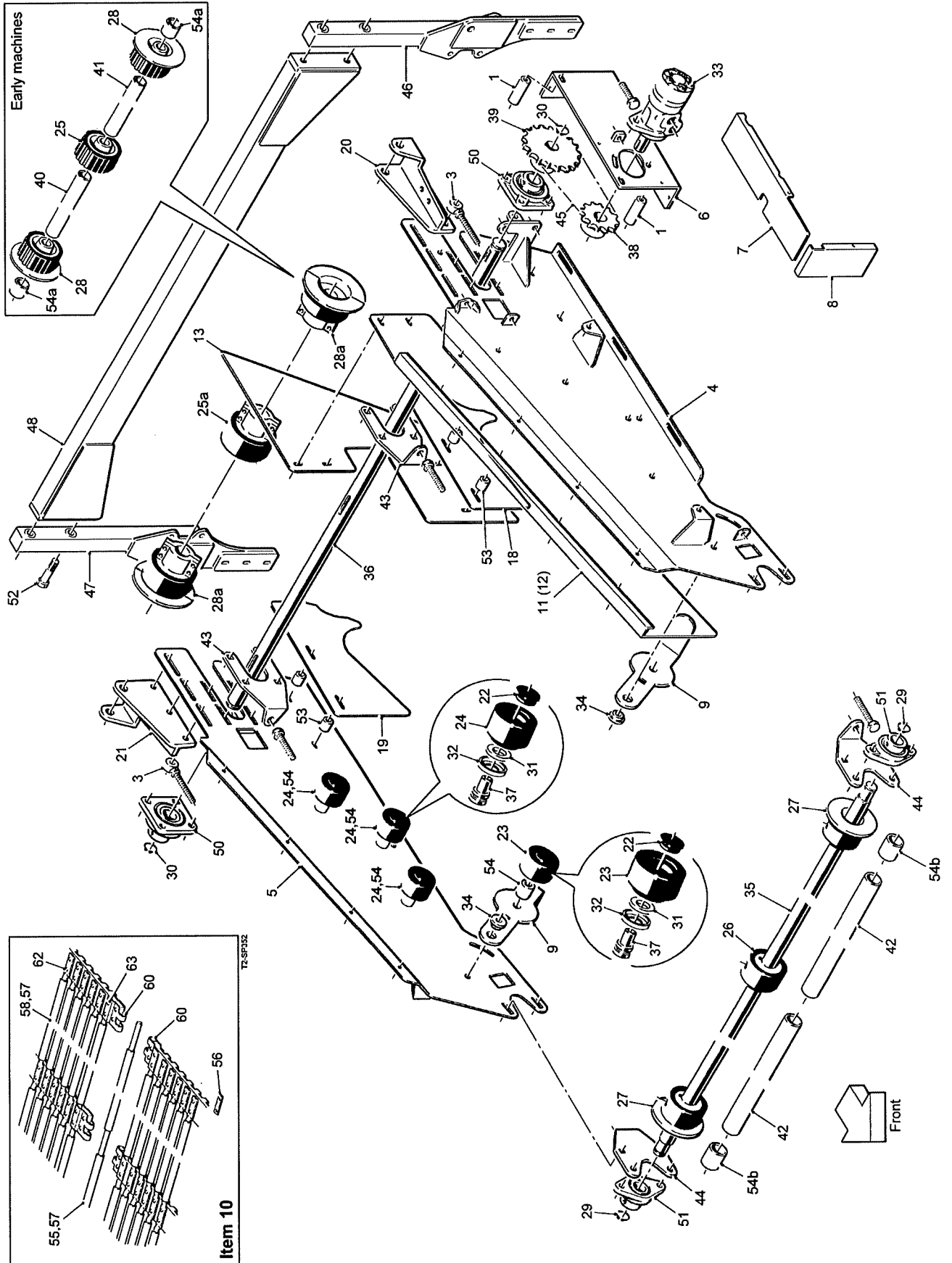
Assy No 62493

Item	Part No.	Description	Qty.	Remarks
56	RPM225.309134	LH Spring Plate	1	
57	RPM225.309135	RH Spring Plate	1	
58				
59	RPT738.600012	3/4"Pitch Duplex Drive Chain	1	
60				
61	RPW300.307424	40mm Pitch Pintle Belt Assembly	1	(see list at end)
62				
63	RPS1018	Blanking Plate	2	
64				
65	64436	Weight Tube	6	
66	64437	Tie Bar	1	
67				
68	SS042036/048	Steel Spacer	2	
69	SS042036/053	Steel Spacer	2	
70				
71				
72				
73	SFT30	Bearing	2	
		Hydraulic Components Consist Of:		
74	10140	1/2"BSP Male Probe	2	
75	11294	1/8"BSP Dowty Seal	2	
76	11124	1/2"BSP Dowty Seal	7	
77	11125	3/8"BSP Dowty Seal	2	
78	11337	1/4"BSP Dowty Seal	5	
79	11336	1/4"BSPx3/8"BSP M M Adaptor	2	
80	12315	1/2"BSP M M Adaptor	4	
81	12316	1/4"BSP M M Adaptor	3	
82	60438	1/2"Hose Assembly (600mm)	2	
83	16356	1/4"x1/2"BSP M M Adaptor	2	
84	24383	1/2"BSP Blanking Plug	1	
85				
86	27449	1/4"BSP MMM Tee	2	
87				
88				
89	11876/8	1/4"BSP Blanking Plug	1	
90	11123	3/4"BSP Dowty Seal	2	
91	11295	1/2"BSPx3/4"BSP M M Adaptor	2	
92	36229	1/4"Hose Assembly (2500mm)	1	
93	32474	1/4"BSP M F Compact 90°Adaptor	1	
94	37367	1/2"BSP FMM Tee	1	
95				
96	41484	1/4"BSP M F Swivel Adaptor	1	
97	-	1/2"Hose Assembly (****mm)	1	
98				
99				
100	13187	1/4"Hose Assembly (700mm)	1	
101	-	1/2"Hose Assembly (****mm)	1	
102	59643W	Valve Block Assembly	1	Prior to T2-288 was 59643
103	59644	1/4"BSP 3 Port Shuttle Valve	1	
104				



Machines from 2021

Haulm Elevator Transfer Web (1125mm discharge elevator) Assy No 64536



12.20a**T2 SPARE PARTS**

Machines from 2021

Haulm Elevator Transfer Web (1125mm discharge elevator)**Assy No 64536**

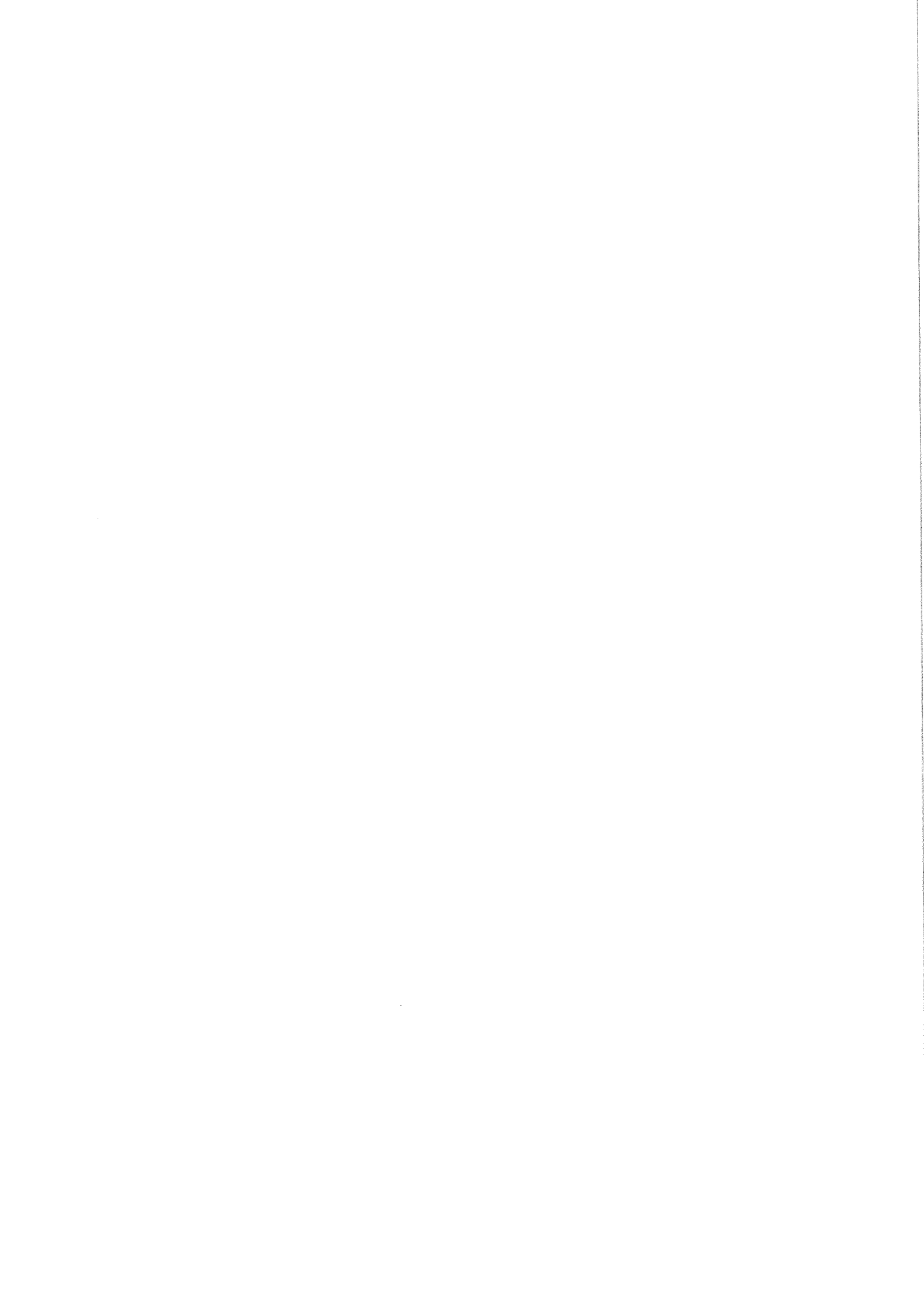
Item	Part No.	Description	Qty.	Remarks
1	64552	Mounting Bar	2	
2				
3	62463	Eye Bolt	2	
4	64538	LH Mounting Panel	1	
5	64539	RH Mounting Panel	1	
6	64544	Motor Mounting	1	
7	64553	Drive Guard	1	
8	64554	Drive Guard	1	
9	62513	Roller Adjuster Plate	2	
10	64746	36mm Pitch Web Assembly	1	(see list at end)
11	64559	LH Stainless Side Panel	1	
12	64560	RH Stainless Side Panel	1	(not shown)
13	62518	Stainless Deflector Panel	2	
14				
15				
16				
17				
18	64687	Stainless Infill Panel LH	1	
19	64687A	Stainless Infill Panel RH	1	
20	RPA610.304429	LH Ram Mounting	1	
21	RPA610.304430	RH Ram Mounting	1	
22	RPC620.303070	Plastic Cap	8	
23	RPC700.300147	Ø95 Roller c/w Bearings	2	
24	RPC700.300148	Ø75 Roller c/w Bearings	6	
25	RPC700.301543	Plain Drive Roller	1	Early machines only
25a	70080	Plain Drive Roller Split	1	
26	RPC700.302662	Plain Roller	1	
27	RPC700.302663	Flanged Roller	2	
28	RPC700.303613	Flanged Drive Roller	2	Early machines only
28a	70079	Flanged Drive Roller Split	2	
29	RPF200.030200	Ø30 External Circlip	2	
30	RPF200.035250	Ø35 External Circlip	2	
31	RPGM070.00446	Felt Seal Ring	8	
32	RPGM089.00565	Roller Shield	8	
33	44563	Hydraulic Motor	1	
34	RPM106.304349	Pivot Boss	2	
35	RPM162.304439	Shaft	1	
36	RPM162.309155	Drive Shaft	1	
37	RPM180.303071	Pivot Bush	8	
38	RPM182.300350	12T 3/4"Pitch Sprocket	1	
39	RPM182.309306	24T 3/4"Pitch Sprocket	1	
40	RPM192.305232	Spacer Tube (698mm)	1	Early machines only
41	RPM192.305233	Spacer Tube (679mm)	1	Early machines only
42	RPM192.305234	Spacer Tube (733mm)	2	
43	RPM225.304398	Rear Adjuster Plate	2	
44	RPM225.307345	Front Adjuster Plate	2	
45	RPT732.620048	3/4"Pitch Drive Chain	1	
46	64681	Support Bracket LH	1	
47	64682	Support Bracket RH	1	
48	64683	Support Beam	1	
49				
50	SF35	Bearing	2	
51	SFT30	Bearing	2	
52	DW309520105	M20x100 Fine Thread Bolt	4	

T2 SPARE PARTS**12.20b**

Machines from 2021

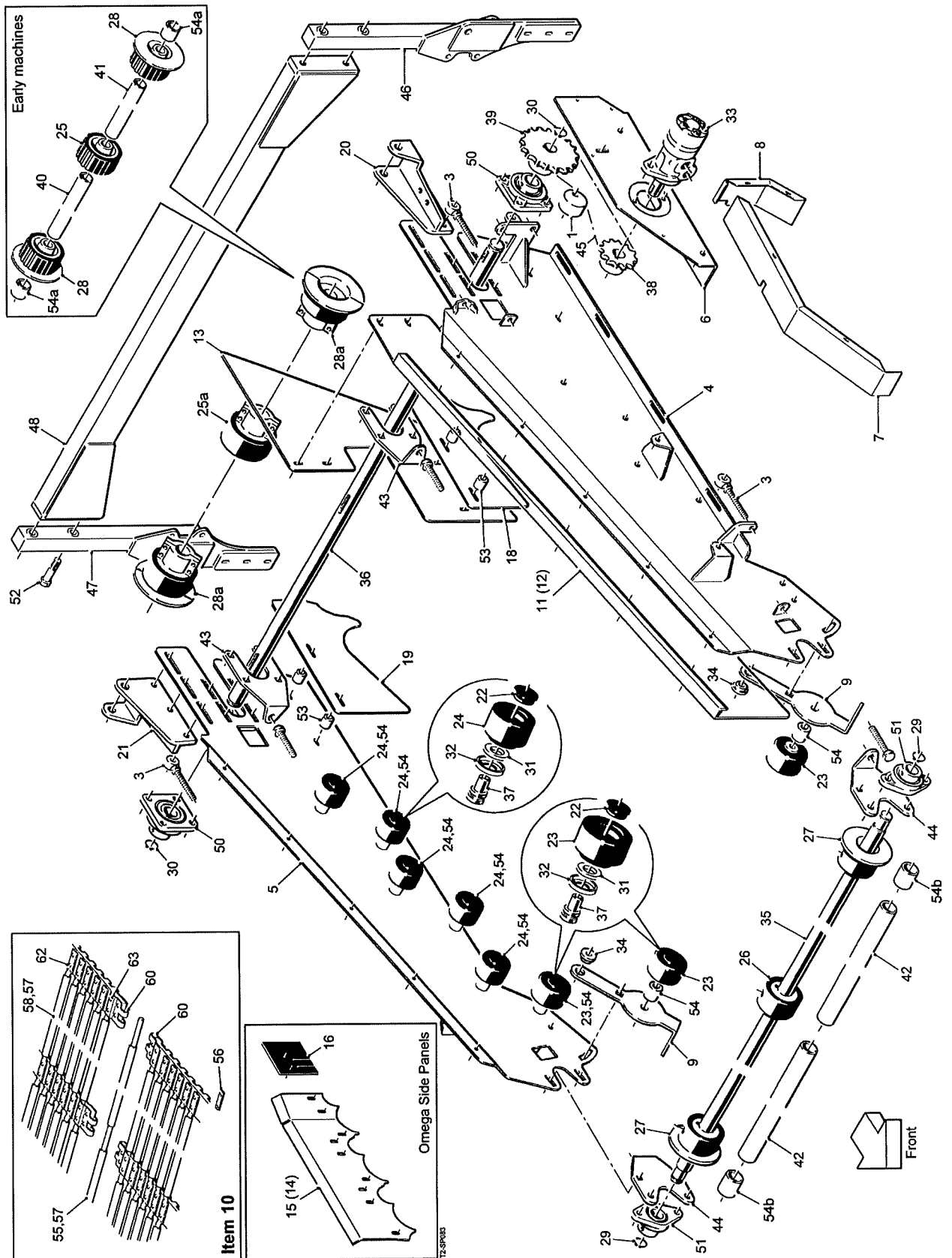
Haulm Elevator Transfer Web (1125mm discharge elevator)**Assy No 64536**

Item	Part No.	Description	Qty.	Remarks
53	SS025011/035	Steel Spacer	4	Early machines only
54	SS030017/045	Steel Spacer	8	
54a	SS050036/060	Steel Spacer	2	
54b	SS050036/074	Steel Spacer	2	
	64746	36mm Pitch Web Consists Of:		
55	RPW300.301210/1	Joiner Rod	1	
56	RPW300.303144A3	Clamp Plate	237	
57	RPGMRP012.00700	Rod Cover	164	
58	-	Web Rod	81	
59				
60	RPS561/3AF	36mm Pitch 'F' Type Joiner	6	
61				
62	DIN661 5x25	Ø5x25 Rivet	474	
63	DIN661 5x30	Ø5x30 Rivet	24	



Machines from 2021

Haulm Elevator Transfer Web (1300mm discharge elevator) Assy No 62492



12.21a

T2 SPARE PARTS

Machines from 2021

Haulm Elevator Transfer Web (1300mm discharge elevator)

Assy No 62492

Item	Part No.	Description	Qty.	Remarks
1	0005000014	Chain Tensioner	1	
2				
3	62463	Eye Bolt	4	
4	62488	LH Mounting Panel	1	
5	62489	RH Mounting Panel	1	
6	62499	Motor Mounting	1	
7	62504	Drive Guard	1	
8	62505	Drive Guard	1	
9	62513	Roller Adjuster Plate	2	
10	62514	36mm Pitch Web Assembly	1	(see list at end)
11	62515	LH Stainless Side Panel	1	
	62515A	LH Stainless Side Panel	1	Used with 3rd web
12	62516	RH Stainless Side Panel (not shown)	1	
	62516A	RH Stainless Side Panel (not shown)	1	Used with 3rd web
13	62518	Stainless Deflector Panel	2	
14	62548	Omega LH Side Panel (not shown)	1	
15	62549	Omega RH Side Panel	1	
16	62550	Omega Rubber Deflector	2	
17				
18	64687	Stainless Infill Panel LH	1	
19	64867A	Stainless Infill Panel RH	1	
20	RPA610.304429	LH Ram Mounting	1	
21	RPA610.304430	RH Ram Mounting	1	
22	RPC620.303070	Plastic Cap	14	
23	RPC700.300147	Ø95 Roller c/w Bearings	4	
24	RPC700.300148	Ø75 Roller c/w Bearings	10	
25	RPC700.301543	Plain Drive Roller	1	Early machines only
25a	70080	Plain Drive Roller Split	1	
26	RPC700.302662	Plain Roller	1	
27	RPC700.302663	Flanged Roller	2	
28	RPC700.303613	Flanged Drive Roller	2	Early machines only
28a	70079	Flanged Drive Roller Split	2	
29	RPF200.030200	Ø30 External Circlip	2	
30	RPF200.035250	Ø35 External Circlip	2	
31	RPGM070.00446	Felt Seal Ring	14	
32	RPGM089.00565	Roller Shield	14	
33	44563	Hydraulic Motor	1	
34	RPM106.304349	Pivot Boss	2	
35	RPM162.304439	Shaft	1	
36	RPM162.309155	Drive Shaft	1	
37	RPM180.303071	Pivot Bush	14	
38	RPM182.300350	12T 3/4"Pitch Sprocket	1	
39	RPM182.309306	24T 3/4"Pitch Sprocket	1	
40	RPM192.305232	Spacer Tube (698mm)	1	Early machines only
41	RPM192.305233	Spacer Tube (679mm)	1	Early machines only
42	RPM192.305234	Spacer Tube (733mm)	2	
43	RPM225.304398	Rear Adjuster Plate	2	
44	RPM225.307345	Front Adjuster Plate	2	
45	RPT732.620046	3/4"Pitch Drive Chain	1	
46	64681	Support Bracket LH	1	
47	64682	Support Bracket RH	1	
48	64683	Support Beam	1	
49				

T2 SPARE PARTS**12.21b**

Machines from 2021

Haulm Elevator Transfer Web (1300mm discharge elevator)**Assy No 62492**

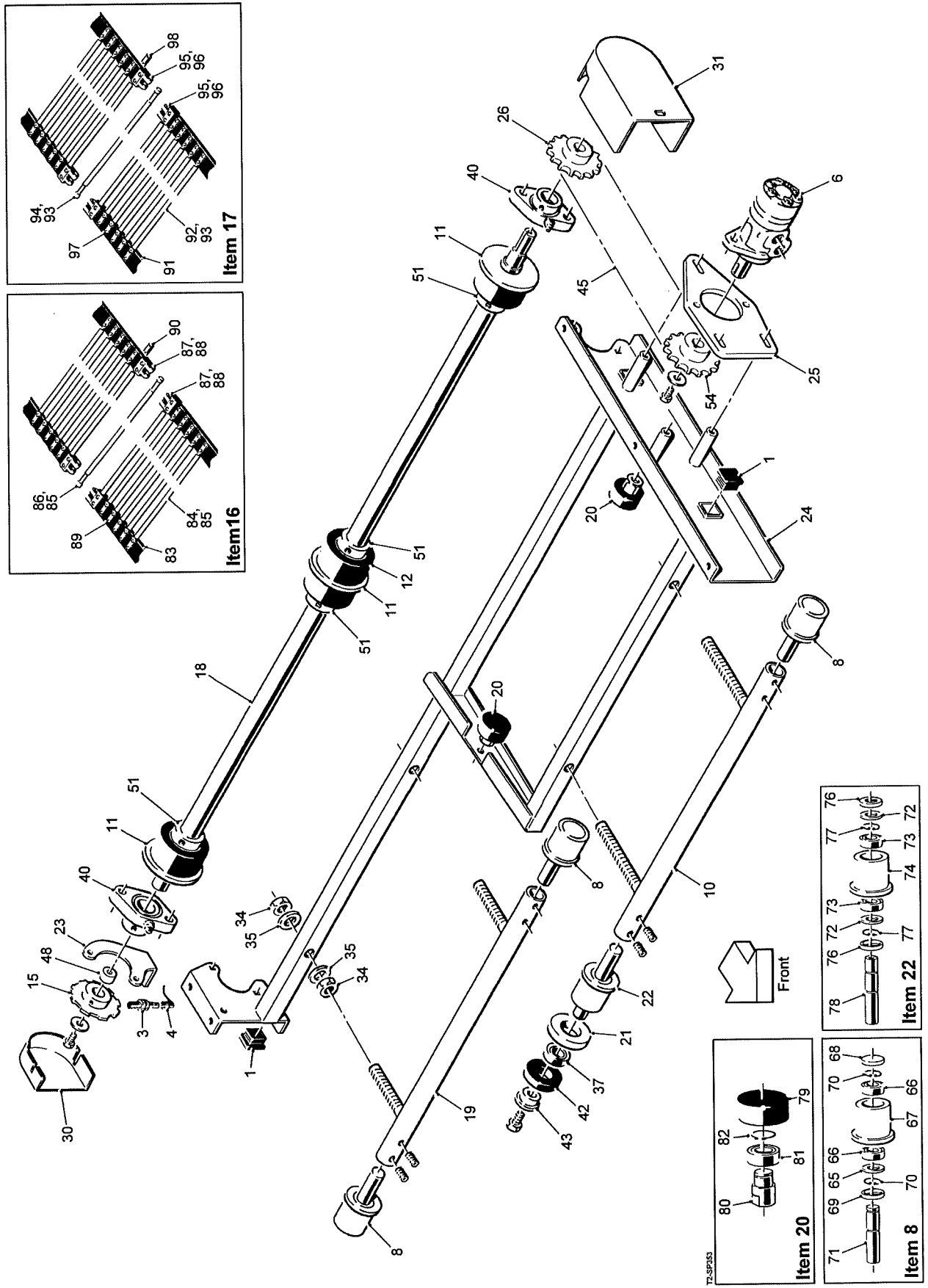
Item	Part No.	Description	Qty.	Remarks
50	SF35	Bearing	2	Early machines only
51	SFT30	Bearing	2	
52	DW309520105	M20x100 Fine Thread Bolt	4	
53	SS025011/035	Steel Spacer	4	
54	SS030017/045	Steel Spacer	14	
54a	SS050036/060	Steel Spacer	2	
54b	SS050036/074	Steel Spacer	2	
	62514	36mm Pitch Web Consists Of:		
55	RPW300.301210/1	Joiner Rod	1	
56	RPW300.303144A3	Clamp Plate	312	
57	RPGMRP012.00700	Rod Cover	214	
58	-	Web Rod	106	
59				
60	RPS561/3AF	36mm Pitch 'F' Type Joiner	6	
61				
62	DIN661 5x25	Ø5x25 Rivet	636	
63	DIN661 5x30	Ø5x30 Rivet	24	



Machines from 2021

Haulm Elevator Spreader Web (1125mm discharge elevator)

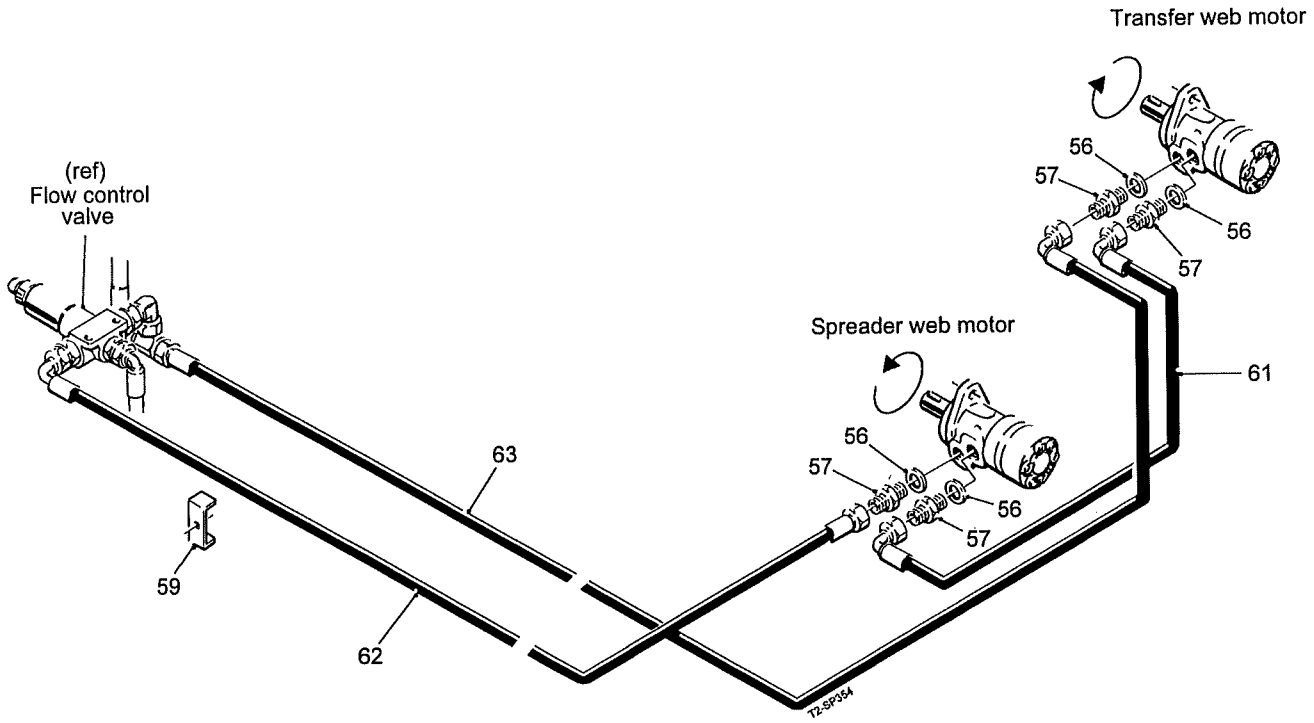
Assy No 64561



12.22a **T2 SPARE PARTS**

Machines from 2021

Haulm Elevator Spreader Web (1125mm discharge elevator)
Assy No 64561



T2 SPARE PARTS**12.22b**

Machines from 2021

Haulm Elevator Spreader Web (1125mm discharge elevator) **Assy No 64561**

Item	Part No.	Description	Qty.	Remarks
1	27159	Plastic Insert (40x40)	3	
2				
3	32037/1	Proximity Sensor	1	
4	32037/4	90° Sensor Lead (10m)	1	
5				
6	46855	Hydraulic Motor	1	
7				
8	51666	Roller Assembly	3	(see list at end)
9				
10	56229	Long Roller Mounting	1	
11	56230	Flanged Drive Roller	3	
12	56231	Plain Drive Roller	1	
13				
14				
15	59151	Sensor Disc	1	
16	59212	Short Web Assembly	1	(see list at end)
17	59213	Long Web Assembly	1	(see list at end)
18	59220	Spreader Drive Shaft	1	
19	59221	Short Roller Mounting	1	
20	59222	Roller Assembly	2	(see list at end)
21	59323	Nylon Guard Roller	1	
22	59324	Roller Assembly	1	(see list at end)
23	59512A	Sensor Bracket	1	
24	59544	Spreader Frame	1	
25	59548	Motor Plate	1	
26	59897	21T 3/4"Pitch Drive Sprocket	1	
27				
28				
29				
30	64537	Sensor Guard	1	
31	64562	Drive Guard	1	
32				
33				
34	22029020	M20 Full Nut	8	
35	22046020	M20 Flat Washer	8	
36				
37	60052RS	Bearing	1	
38				
39				
40	LFTC35A	Bearing	2	
41				
42	RPC700.300666	Rubber End Cap	1	
43	RPC700.300667	Spigot Washer	1	
44				
45	RPT732.620056	3/4"Pitch Drive Chain	1	
46				
47				
48	SS025009/025	Steel Spacer	1	
49				
50				
51	ST41M	Ø40 Locking Collar	4	
52				
53				
54	TBM107	21T 3/4"Pitch Motor Sprocket	1	
55				

12.22c**T2 SPARE PARTS**

Machines from 2021

Haulm Elevator Spreader Web (1125mm discharge elevator) **Assy No 64561**

Item	Part No.	Description	Qty.	Remarks
		Hydraulic Components Consist Of:		
56	11124	1/2"BSP Dowty Seal	4	
57	12315	1/2"BSP M M Adaptor	4	
58				
59	59295	Hose Clamp	4	
60				
61	60431	1/2"Hose Assembly (450mm)	1	
62	-	1/2"Hose Assembly (****mm)	1	
63	-	1/2"Hose Assembly (****mm)	1	
64				
	51666	Roller Assembly Consists Of:		
65	0000300504	Felt Seal	1	
66	6005RS	Bearing	2	
67	46398	Flanged Steel Roller	1	
68	PH407	Seal	1	
69	PH408	Seal	1	
70	PS843	Ø25 External Circlip	2	
71	51664	Roller Spindle	1	
	59324	Roller Assembly Consists Of:		
72	0000300504	Felt Seal	2	
73	6005RS	Bearing	2	
74	46398	Flanged Steel Roller	1	
75				
76	PH408	Seal	2	
77	PS843	Ø25 External Circlip	2	
78	59322	Roller Spindle	1	
	59222	Roller Assembly Consists Of:		
79	0000301601	Roller	1	
80	59223	Spindle	1	
81	6204RS	Bearing	1	
82	12298	Circlip	1	
	59212	Short Web Assembly Consists Of:		
83	56232/2	Web Belt	2	
84	56232/1	Web Rod	25	
85	56232/5	Rod Cover	26	
86	56232/4	Joining Rod	1	
87	51301/3	'F' Type Joiner (2 hole)	4	
88	DIN661 5x25	Ø5x25 Rivet	8	
89	DIN661 5x22	Ø5x22 Rivet	100	
90	46849/2	Clamp Plate	44	
	59213	Long Web Assembly Consists Of:		
91	56232/2	Web Belt	2	
92	56232/1	Web Rod	51	
93	56232/5	Rod Cover	52	
94	56232/4	Joining Rod	1	
95	51301/3	'F' Type Joiner (2 hole)	4	
96	DIN661 5x25	Ø5x25 Rivet	8	
97	DIN661 5x22	Ø5x22 Rivet	204	
98	46849/2	Clamp Plate	102	

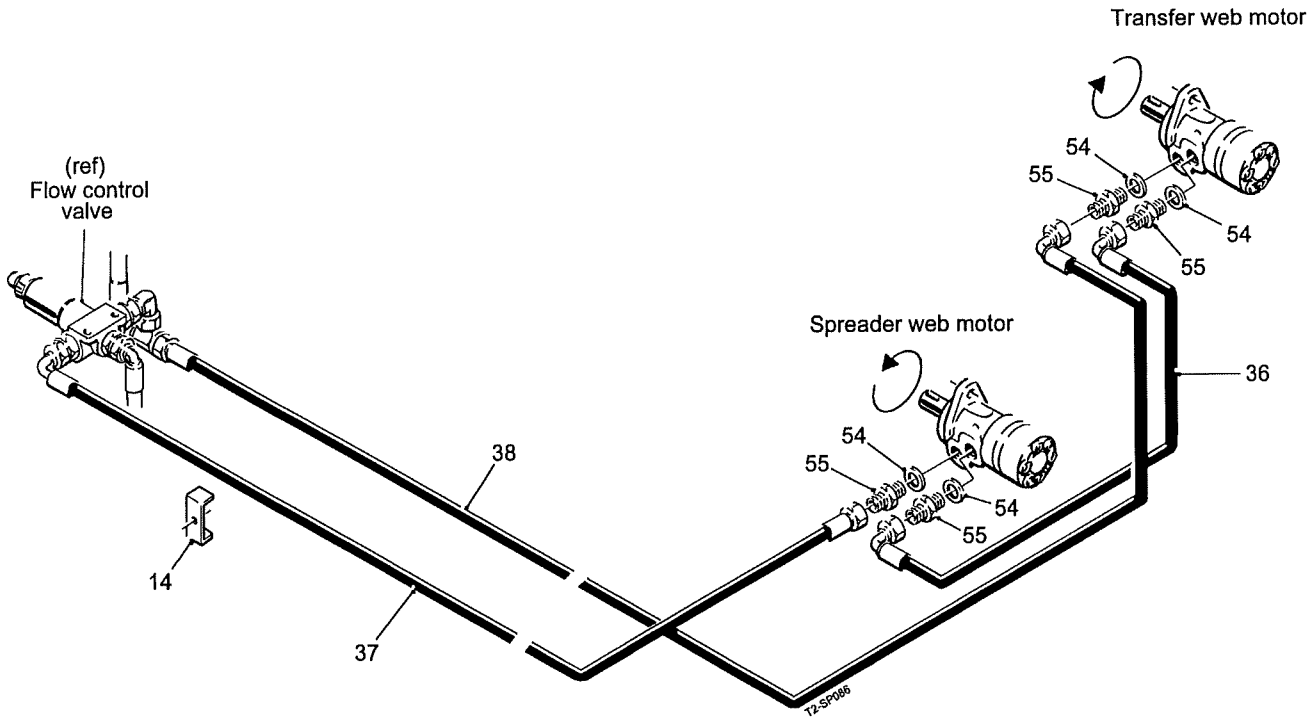
Issue 1 04.2021

12.23a

T2 SPARE PARTS

Machines from 2021

Haulm Elevator Spreader Web (1300mm discharge elevator)
Assy No 62491



T2 SPARE PARTS**12.23b**

Machines from 2021

Haulm Elevator Spreader Web (1300mm discharge elevator) **Assy No 62491**

Item	Part No.	Description	Qty.	Remarks
1	27135	17T 3/4"Pitch Sprocket	2	
2	27159	40x40 Plasic Insert	5	
3				
4	32037/1	Proximity Sensor	1	
5	32037/4	Sensor Lead (10m)	1	
6				
7	46855	Hydraulic Motor	1	
8				
9	51666	Roller Assembly	4	(see list at end)
10				
11	56230	Flanged Drive Roller	4	
12	56231	Plain Drive Roller	2	
13				
14	59295	Hose Clamp	4	
15	59151	Sensor Disc	1	
16	59222	Roller Assembly	2	(see list at end)
17	59323	Nylon Guard Roller	2	
18	59324	Roller Assembly	2	(see list at end)
19	59512A	Sensor Bracket	1	
20	59677	Chain Adjuster	1	
21	59758	Short Web Assembly	1	(see list at end)
22	59759	Intermediate Web Assembly	1	(see list at end)
23	59760	Long Web Assembly	1	(see list at end)
24	59763	Drive Shaft	1	
25	59764	Roller Mounting (long thread)	2	
26	59765	Roller Mounting (short thread)	1	
27				
28				
29	62490	Spreader Frame	1	
30	62494	Motor Mounting	1	
31	62509	Drive Guard	1	
32	62511	Drive Guard	1	
33	62512	Guard Bolt	1	
34				
35				
36	60431	1/2"Hose Assembly (450mm)	1	
37	44202	1/2"Hose Assembly (3000mm)	1	
38	60891	1/2"Hose Assembly (3200mm)	1	
39				
40	22029020	M20 Full Nut	12	
41	22046020	M20 Falt Washer	12	
42				
43	60052RS	Bearing	2	
44				
45	LFTC35A	Bearing	2	
46				
47	RPC700.300666	Rubber End Cap	2	
48	RPC700.300667	Spigot Washer	2	
49	RPT732.620042	3/4"Pitch Drive Chain	1	
50				
51	ST41M	Ø40 Locking Collar	6	
52				
53				
54	11124	1/2"BSP Dowty Seal	4	
55	12315	1/2"BSP M M Adaptor	4	

12.23c**T2 SPARE PARTS**

Machines from 2021

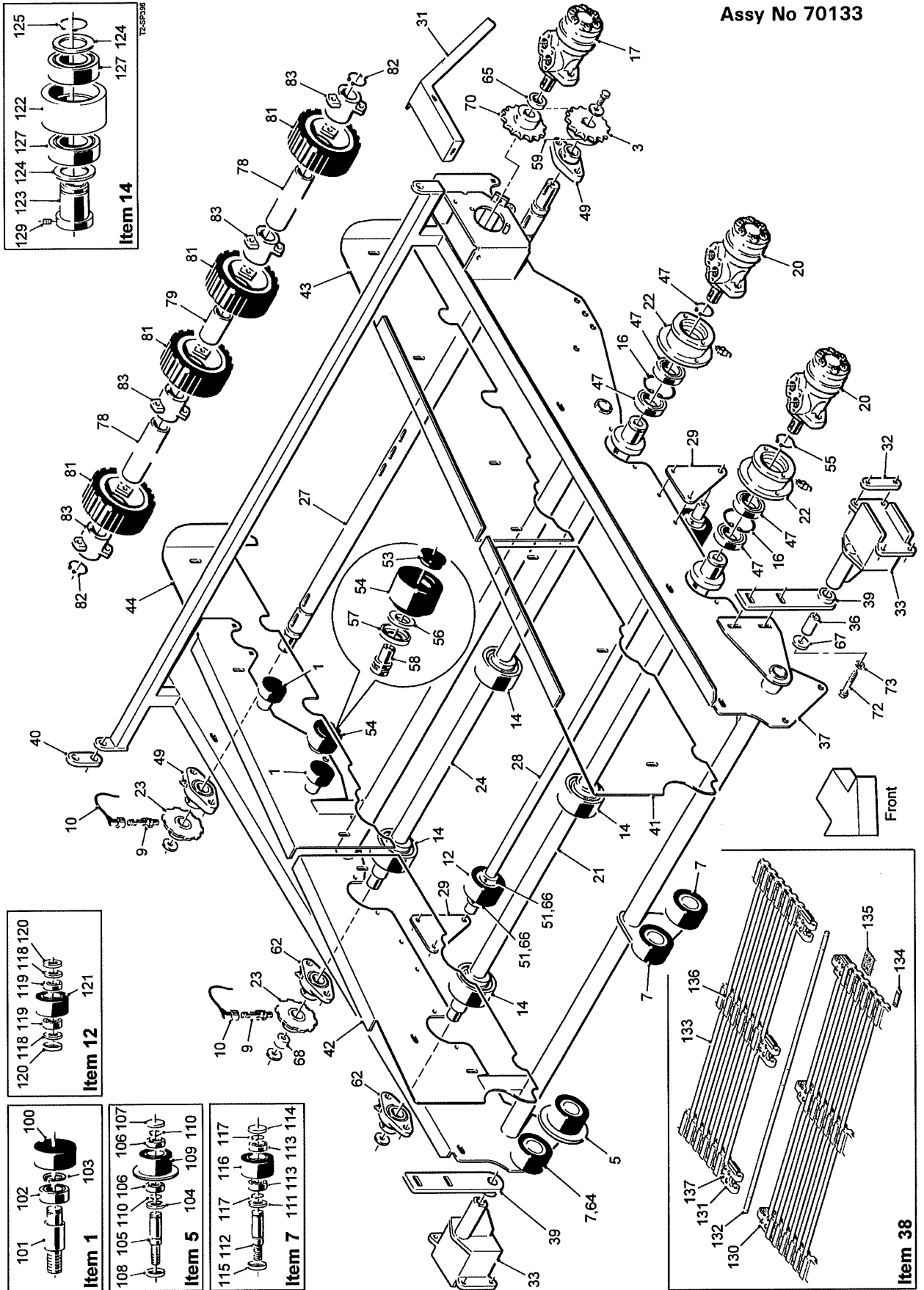
Haulm Elevator Spreader Web (1300mm discharge elevator) **Assy No 62491**

Item	Part No.	Description	Qty.	Remarks
	51666	Roller Assembly Consists Of:		
56	0000300504	Felt Seal	1	
57	6005RS	Bearing	2	
58	46398	Flanged Steel Roller	1	
59	PH407	Seal	1	
60	PH408	Seal	1	
61	PS843	Ø25 External Circlip	2	
62	51664	Roller Spindle	1	
	59324	Roller Assembly Consists Of:		
63	0000300504	Felt Seal	2	
64	6005RS	Bearing	2	
65	46398	Flanged Steel Roller	1	
66				
67	PH408	Seal	2	
68	PS843	Ø25 External Circlip	2	
69	59322	Roller Spindle (RH thread)	1	
	59222	Roller Assembly Consists Of:		
70	0000301601	Roller	1	
71	59223	Spindle	1	
72	6204RS	Bearing	1	
73	12298	Circlip	1	
	59758	Short Web Assy Consists Of:		
74	59758/3	Web Belt	2	
75	59758/1	Web Rod	25	
76	59758/2	Rod Cover	26	
77	59758/4	Joining Rod	1	
78	51301/3	'F'Type Joiner (2 hole)	4	
79	DIN661 5x25	Ø5x25 Rivet	8	
80	DIN661 5x22	Ø5x22 Rivet	92	
81	46849/2	Clamp Plate	46	
	59759	Intermediate Web Assy Consists Of:		
82	59759/3	Web Belt	2	
83	59758/1	Web Rod	45	
84	59758/2	Rod Cover	46	
85	59758/4	Joining Rod	1	
86	51301/3	'F'Type Joiner (2 hole)	4	
87	DIN661 5x25	Ø5x25 Rivet	8	
88	DIN661 5x22	Ø5x22 Rivet	172	
89	46849/2	Clamp Plate	86	
	59760	Long Web Assy Consists Of:		
90	59760/3	Web Belt	2	
91	59758/1	Web Rod	64	
92	59758/2	Rod Cover	65	
93	59758/4	Joining Rod	1	
94	51301/3	'F'Type Joiner (2 hole)	4	
95	DIN661 5x25	Ø5x25 Rivet	8	
96	DIN661 5x22	Ø5x22 Rivet	248	
97	46849/2	Clamp Plate	124	

Issue 1 04.2021

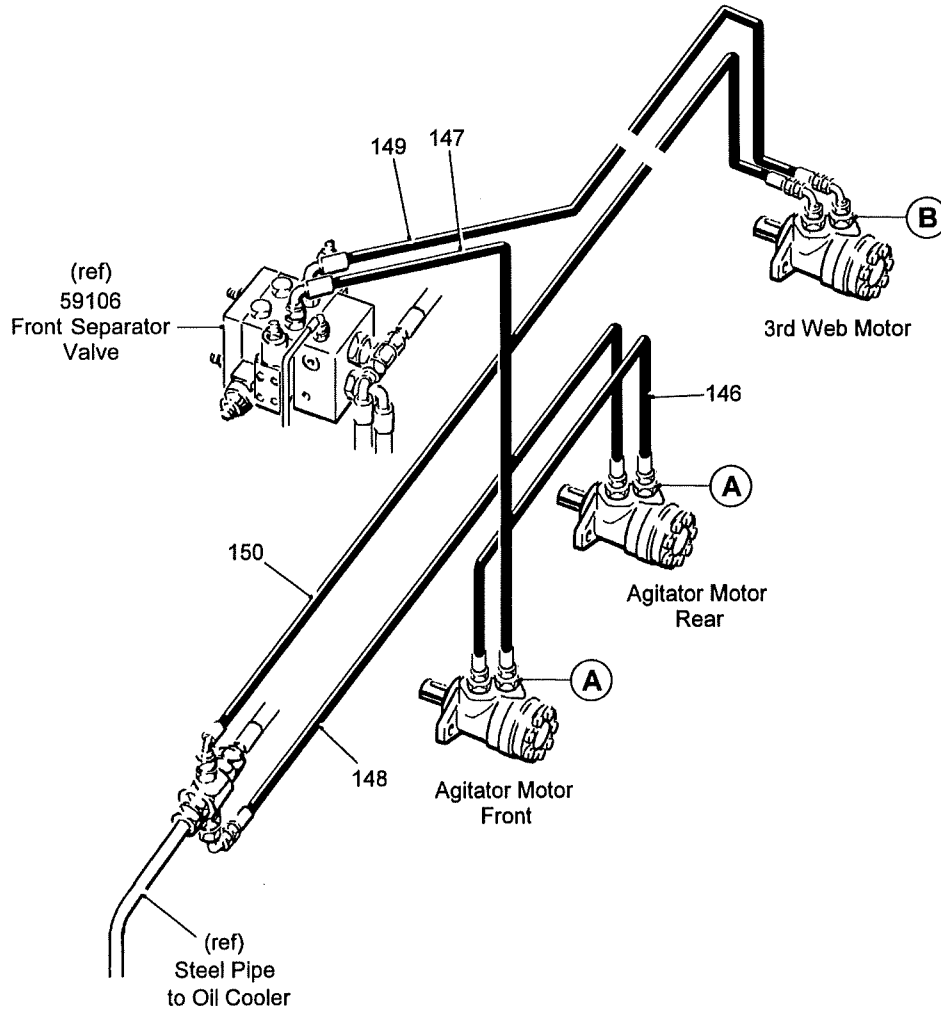
Machines from 2021

3rd Web Unit
Assy No 70133

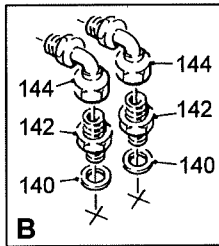
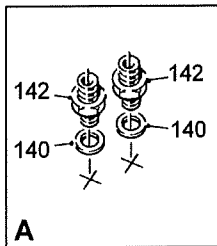


Machines from 2021

3rd Web Unit
Assy No 70133



T2-SP389



T2 SPARE PARTS**12.24b****3rd Web Unit****Assy No 70133**

Item	Part No.	Description	Qty.	Remarks
1	0000301600	Ø66 Roller Assembly	4	(see list at end)
2				
3	11833	21T 3/4"Pitch Sprocket (Ø35 bore)	1	
4				
5	12506	Ø90 Roller Assembly	2	(see list at end)
6				
7	19356	Ø90 Roller Assembly	4	(see list at end)
8				
9	32037/1	Proximity Sensor	2	
10	32037/2	90° Sensor Cable (5m)	2	
11				
12	32719	Ø90 Roller Assembly	2	(see list at end)
13				
14	44175	Eccentric Roller Assembly	6	(see list at end)
15				
16	46564	Ø90 Internal Circlip	2	
17	46855	Hydraulic Motor	1	
18				
19				
20	59108	Hydraulic Motor	2	
21	59224	Agitator Shaft Front	1	
22	59225	Agitator Motor Mounting	2	
23	59277	Sensor Disc	2	
24	59224	Agitator Shaft Rear	1	Prior to 2023 was 59365
25				
26				
27	62273	Drive Shaft	1	
28	62289	Tie Bar	1	
29	62290	Tie Bar Plate	2	
30				
31	64703	Chain Guard	1	
32	64849	Clamp Plate	4	
33	64875	Mounting Bracket	2	
34				
35				
36	70090	Pivot Pin	2	
37	70132	3rd Web Frame	1	
38	70134/45	45mm Pitch Web	1	(see list at end)
39	70135	Support Strap Front	2	
40	70136	Support Strap Rear	2	
41	70137	Front Stainless Panel LH	1	
42	70138	Front Stainless Panel RH	1	
43	70139	Rear Stainless Panel LH	1	
44	70140	Rear Stainless Panel RH	1	
45				
46				
47	6210RS	Bearing	4	
48				
49	LFTC35A	Bearing	2	
50				
51	PS488M	Locking Collar	4	
52				
53	RPC620.303070	Cap	2	
54	RPC700.300148	Ø75 Roller c/w Bearings	2	
55	RPF200.050200	Ø50 External Circlip	2	

12.24c

T2 SPARE PARTS

Machines from 2021.

3rd Web Unit

Assy No 70133

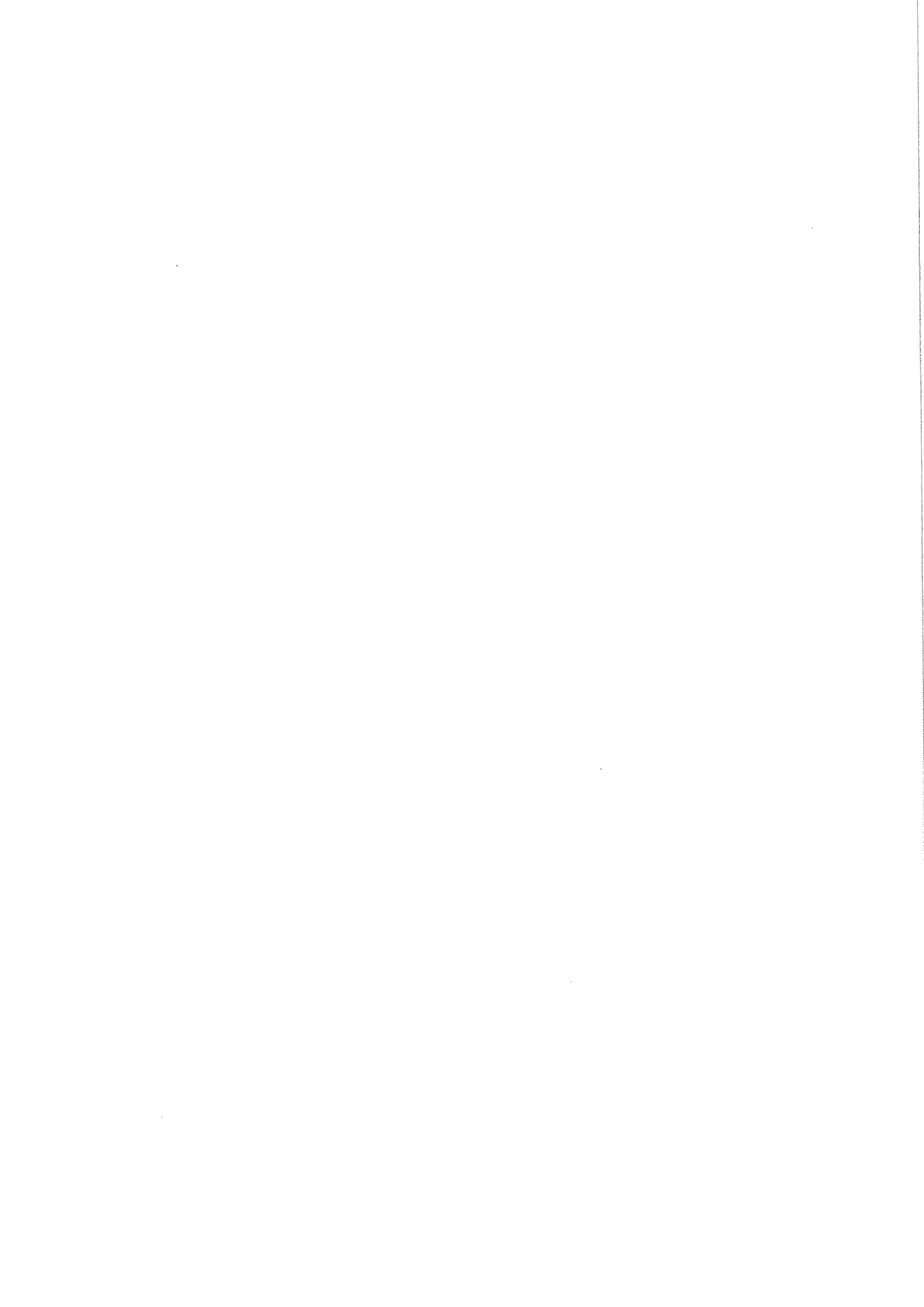
Item	Part No.	Description	Qty.	Remarks
56	RPGM070.00446	Felt Seal	2	
57	RPGM089.00565	Roller Shield	2	
58	RPM180.303071	Pivot Bush	2	
59	PS871/50	3/4"Pitch Drive Chain	1	
60				
61				
62	SFT35	Bearing	2	
63				
64	SS025017/010	Steel Spacer	2	
65	SS038026/008	Steel Spacer	1	
66	SS050026/002	Steel Spacer	4	
67	SS045013/006	Steel Spacer	2	
68	SS035008/030	Steel Spacer	1	
69				
70	TBMW107	21T 3/4"Pitch Sprocket (Ø25 bore)	1	
71				
72	22012012/90	M12x90 Bolt	2	
73	2205212	M12 Spring Washer	2	
74				
75				
76				
77				
78	62284	Spacer Tube (558mm)	2	
79	62952	Spacer Tube (122mm)	1	
80				
81	RPC700.301267	Drive Roller	4	
82	RPF200.050300	Ø50 External Circlip	2	
83	RPGM006.00482	Drive Roller Hub	4	
84				
	0000301600	Roller Assembly Consists Of:		
100	0000301601	Ø66 Roller	1	
101	0000301602	Spindle	1	
102	6204RS	Bearing	1	
103	12298	Circlip	1	
	12506	Roller Assembly Consists Of:		
104	0000300504	Felt Seal	1	
105	11265	Spindle	1	
106	6005RS	Bearing	2	
107	PH407	Seal	1	
108	PH408	Seal	1	
109	PH51AR	Flanged Roller	1	
110	PS843	Circlip	2	
	19356	Roller Assembly Consists Of:		
111	0000300504	Felt Seal	1	
112	11265	Spindle	1	
113	6005RS	Bearing	2	
114	PH407	Seal	1	
115	PH408	Seal	1	
116	PH77AR	Plain Roller	1	
117	PS843	Circlip	2	

T2 SPARE PARTS**12.24d**

Machines from 2021

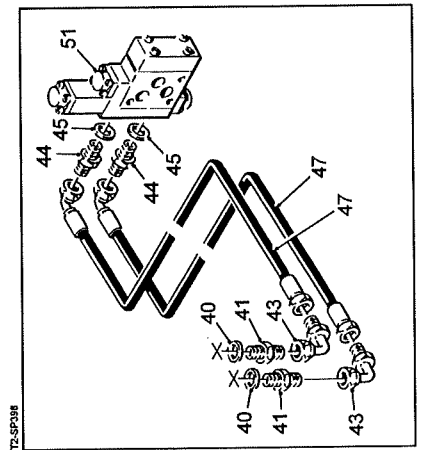
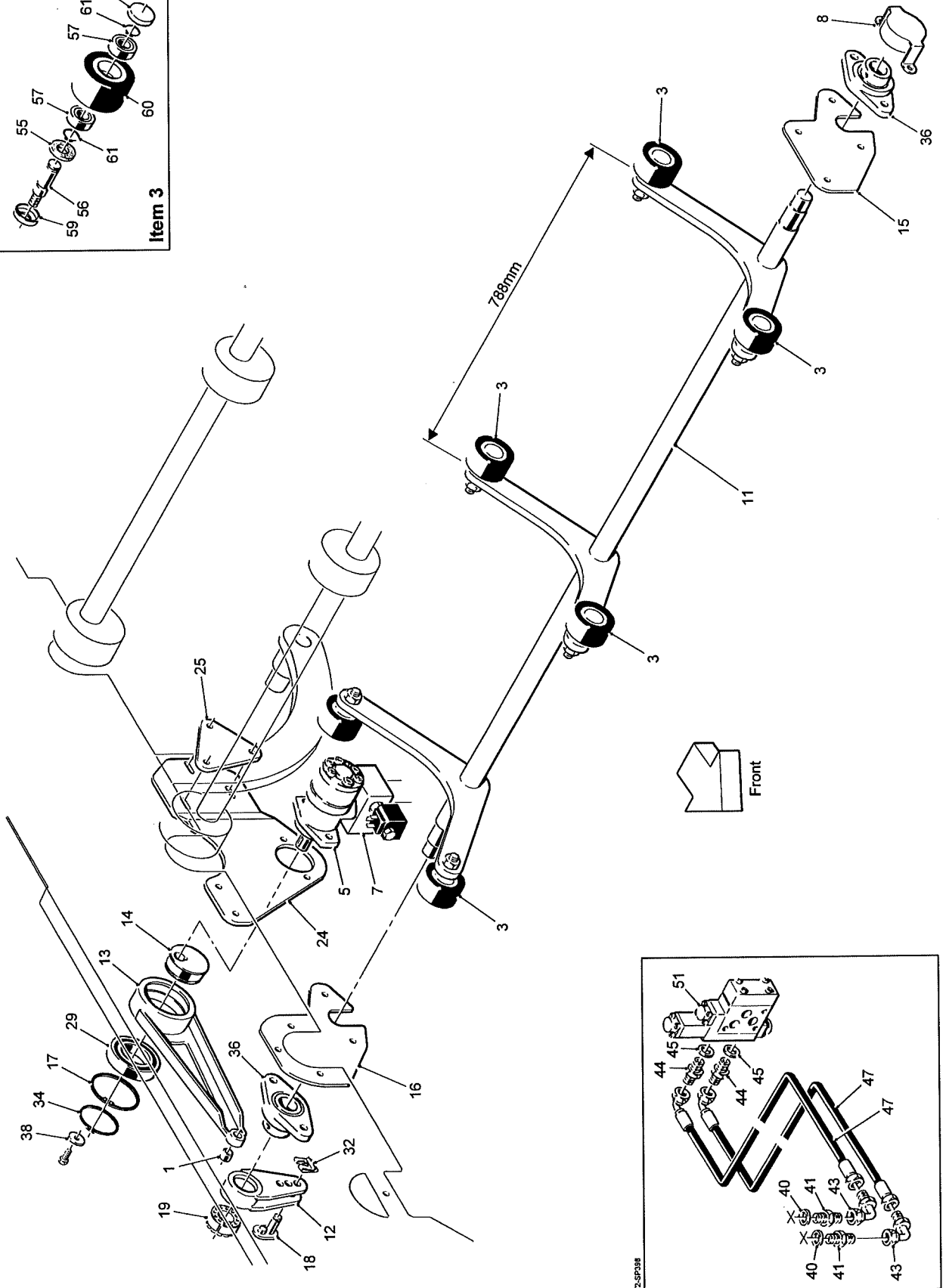
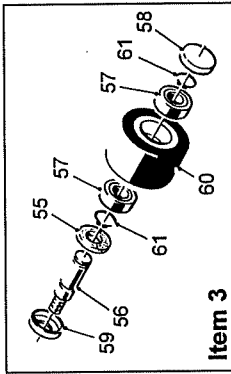
3rd Web Unit**Assy No 70133**

Item	Part No.	Description	Qty.	Remarks
	32719	Roller Assembly Consists Of:		
118	0000300504	Felt seal	2	
119	6005RS	Bearing	2	
120	PH408	Seal	2	
121	PH77AR	Plain Roller	1	
	44175	Eccentric Roller Assembly Consists Of:		
122	44164	Ø115 Roller	1	
123	44165	Eccentric Hub	1	
124	44167	Washer	2	
125	44176	Ø60 External Circlip	1	
126				
127	6012RS	Bearing	2	
128				
129	22018008/010	M8 Grub Screw	1	
	70134/45	45mm Pitch Web Assembly Consists Of:		
130	59237MF/1	45mm Pitch Male Joiners & Rod	1	
131	59237MF/2	45mm Pitch Female Joiners & Rod	1	
132	59202MF/3	Joining Rod	1	
133	59740/1	Web Rod	-	
134	12238/6	Clamp Plate	-	
135	57058/45/4HD	45mm Pitch Tapped Clamp Plate	6	
136	57058/4	Ø5.5x23 Rivet	-	
137	220166/025	M6x25 CSK Setscrew	24	
138				
139				
		Hydraulic Components Consists Of:		
140	11124	1/2"BSP Dowty Seal	6	
141				
142	12315	1/2"BSP M M Adaptor	6	
143				
144	26086	1/2"BSP MF Swept 90° Adaptor	2	
145				
146	52528	1/2"Hose Assembly (1100mm)	1	
147	60433	1/2"Hose Assembly (1650mm)	1	
148	60476	1/2"Hose Assembly (2800mm)	1	
149	60847	1/2"Hose Assembly (2950mm)	1	
150	60878	1/2"Hose Assembly (3550mm)	1	



Machines from 2021

Rocker Kit (for sieving web) Assy No 70148



12.25a**T2 SPARE PARTS**

Machines from 2021

Rocker Kit (for sieving web)

Assy No 70148

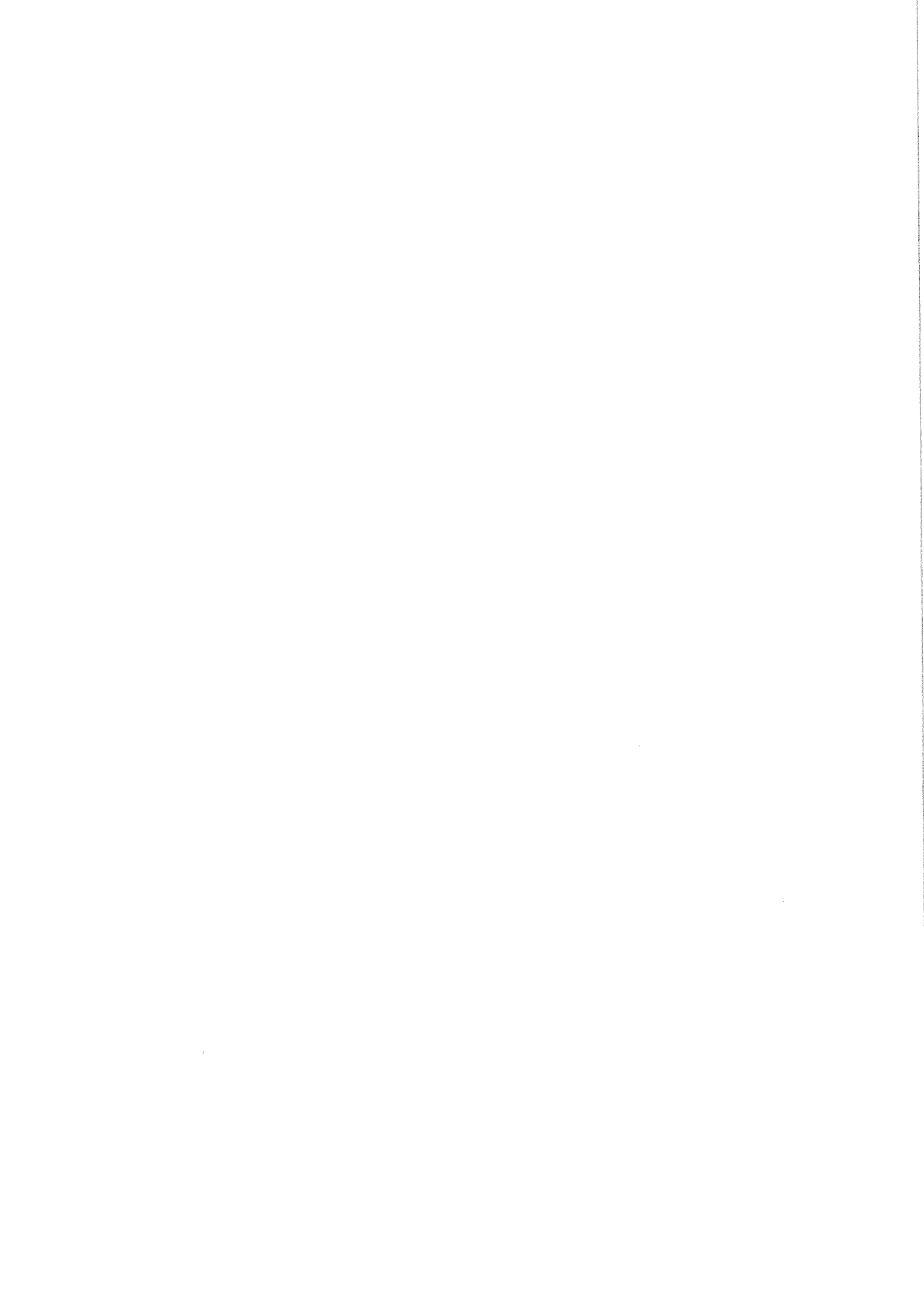
Item	Part No.	Description	Qty.	Remarks
1	16364	Oilite Bush	1	
2				
3	19356	Roller Assembly	6	(see list at end)
4				
5	46855	Hydraulic Motor	1	
6				
7	59215	Motor Valve	1	
8	59298	Bearing Shield	1	
9				
10				
11	62682	Rocker Shaft	1	
12	62684	Drive Crank	1	
13	62687	Drive Arm	1	
14	62688	Eccentric Drive Boss	1	
15	62690	Mounting Plate LH	1	
16	62691	Mounting Plate RH	1	
17	62698	Ø115 Internal Circlip	1	
18	62833	Pivot Pin	1	
19	62842	Locking Bush	1	
20				
21				
22				
23				
24	70146	Motor Mounting Plate	1	
25	70147	Clamp Plate	1	
26				
27				
28				
29	60152RS	Bearing	1	
30				
31				
32	DWS1076	Ø16 Spring Clip	1	
33				
34	RPF200.075250	Ø75 External Circlip	1	
35				
36	SFT35	Bearing	2	
37				
38	SS030009/003	Steel Spacer	1	
39				
		Hydraulic Components Consist Of:		
40	11124	1/2" BSP Dowty Seal	2	
41	12315	1/2" BSP M M Adaptor	2	
42				
43	26086	1/2" BSP M F Swept 90° Adaptor	2	
44	27459	M18x1/2" BSP M M Adaptor	2	
45	27461	M18 Dowty Seal	2	
46				
47	-	1/2" Hose Assembly (****mm)	1	
48	-	1/2" Hose Assembly (****mm)	1	
49				
50				
51	RPS360-1	S/A Proportional Valve Slice	1	

T2 SPARE PARTS**12.25b**

Machines from 2021

Rocker Kit (for sieving web)**Assy No 70148**

Item	Part No.	Description	Qty.	Remarks
	19356	Roller Assembly Consists Of:		
55	0000300504	Felt Seal	1	
56	11265	Spindle	1	
57	6005RS	Bearing	2	
58	PH407	Seal	1	
59	PH408	Seal	1	
60	PH77AR	Plain Roller	1	
61	PS843	Circlip	2	

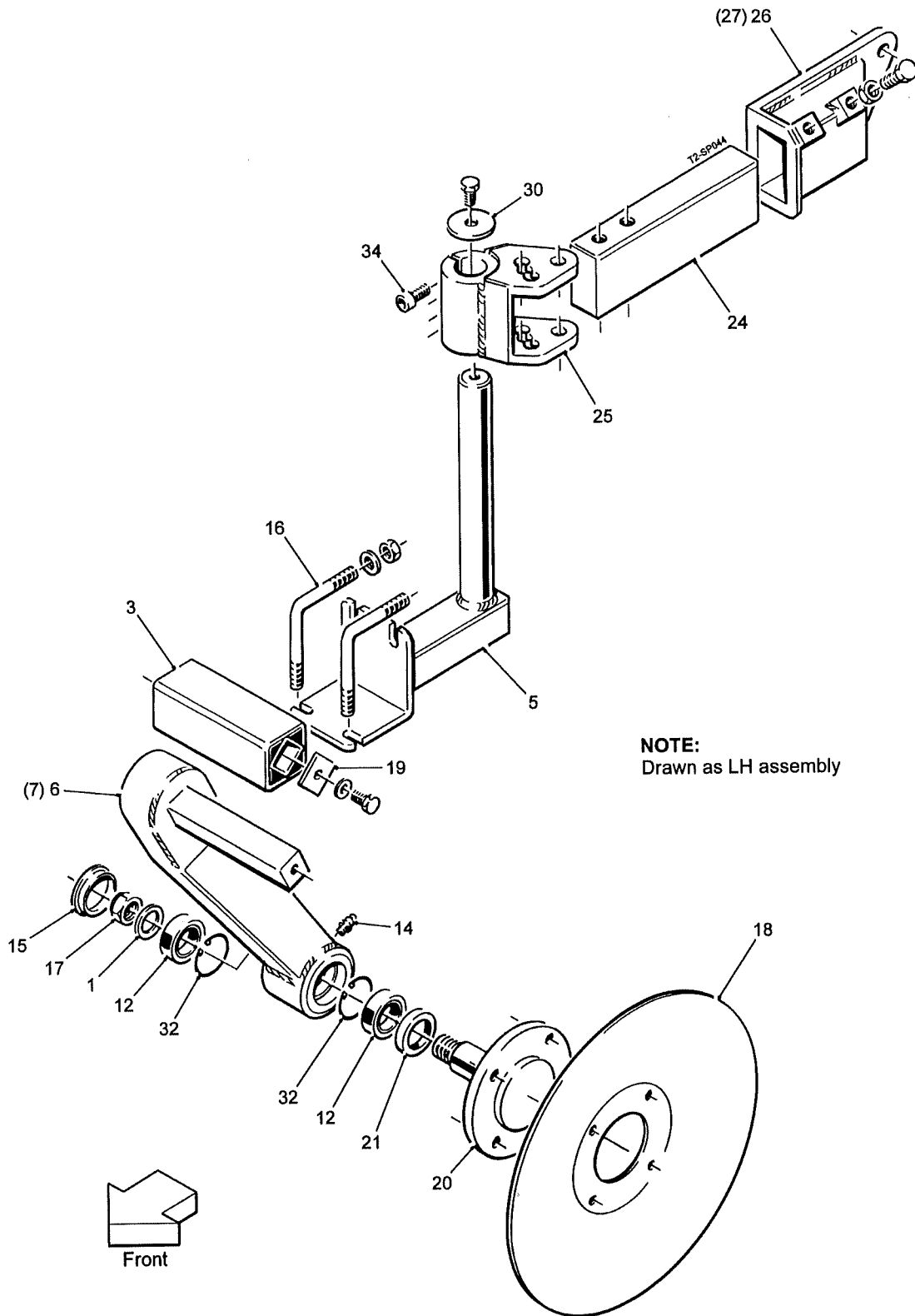


Machines from 2021

Concave Disc Coulters

LH - Assy No 59616

RH - Assy No 59617



NOTE:
Drawn as LH assembly

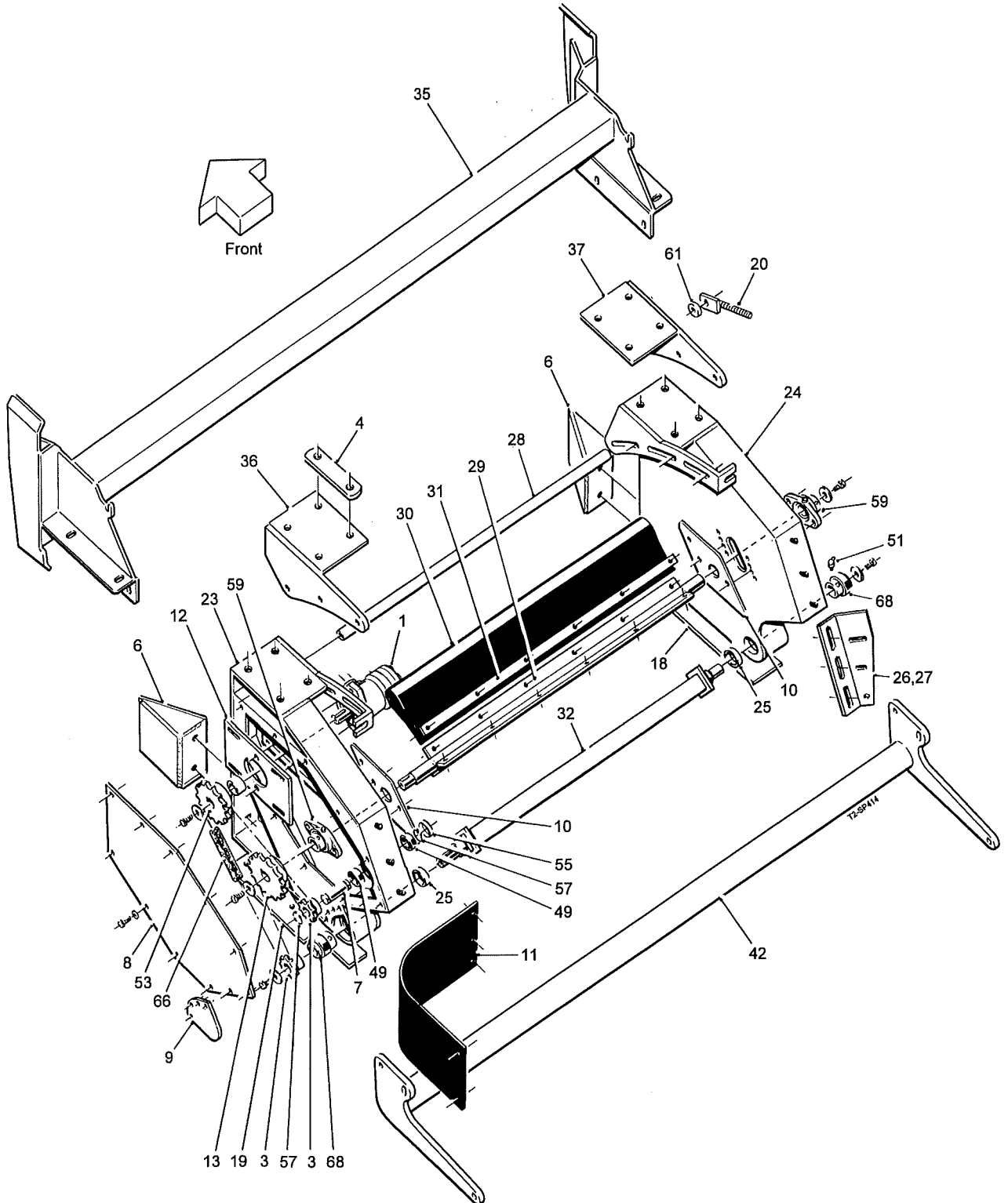
Machines from 2021

Concave Disc Coulters

Item	Part No.	Description	Qty.	Remarks
1	22046030C	M30 Flat Washer	2	
2				
3	42054	Rubber Torsion Bush	2	
4				
5	59612	Disc Mounting Arm	2	
6	59613	LH Disc Mounting Leg	1	Assy 59616 only
7	59614	RH Disc Mounting Leg	1	Assy 59617 only
8				
9				
10				
11				
12	60072RS	Bearing	4	
13				
14	RPC648.081250	M8 Grease Nipple	2	
15	RPC700.300441	Plastic End Cap	2	
16	RPF122.116115	M16 'L' Bolt	4	
17	RPF180.230000	M30 Special Locknut	2	
18	RPGMRP089.01825	Ø18"Concave Disc	2	
19	RPM152.303434	Retainer	2	
20	RPM180.300241	Disc Spindle	2	
21	RPS200.406810	Oil Seal	2	
22				
23				
24	RPS1061	Mounting Arm	2	
25	RPS1062	Support Arm	2	
26	RPS1063	LH Mounting Sleeve	1	Assy 59616 only
27	RPS1064	RH Mounting Sleeve	1	Assy 59617 only
28				
29				
30	SS060011/005	Steel Spacer	2	
31				
32	W0168	Ø62 Internal Circlip	4	
33				
34	22015010/035	M10x35 Socket Head Cap Screw	8	

Machines from 2021

Onion Paddle Assembly
Assy No 51952A



12.27a**T2 SPARE PARTS**

Machines from 2021

Onion Paddle Assembly

Assy No 51952A

Item	Part No.	Description	Qty.	Remarks
1	11608	Hydraulic Motor	1	
2				
3	27175	11T 5/8"Pitch Sprocket	2	
4	27286	Clamp Plate	4	
5				
6	44429	Nose Piece	2	
7	44434	Idler Shaft	1	
8	44436	Drive Guard	1	
9	44437	Shaft End Guard	1	
10	44438	Bearing Filler Plate	2	
11	44439	Side Infill Rubber	2	
12	44442	Motor Mounting Plate	1	
13	44457	36T 5/8"Pitch Sprocket	1	
14				
15				
16				
17				
18	46917	Wear Strip	1	
19	46917A	Wear Strip	1	
20	46918	Adjuster	2	
21				
22				
23	51077	LH Drive Case	1	
24	51078	RH Drive Case	1	
25	51080	Sealing Ring	2	
26	51081	LH Rubber Bracket	1	
27	51082	RH Rubber Bracket	1	
28	51287	Tie Bar	1	
29	51288	Paddle Shaft	1	
30	51289	Paddle Rubber	3	
31	51290	Paddle Rubber Clamp Strip	3	
32	51291	Square shaft	1	
33				
34				
35	59561	Bridge Beam	1	
36	59605	LH Pivot Mounting	1	
37	59606	RH Pivot Mounting	1	
38				
39				
40				
41				
42	64658	Digger Cross Brace	1	
43				
44				
45				
46				
47				
48				
49	6005RS	Bearing	2	
50				
51	GS411	1/8"BSP Grease Nipple 45°	1	
52				
53	KA15101	23T 5/8"Pitch Sprocket	1	
54				
55	PH407	Seal	1	

T2 SPARE PARTS**12.27a**

Machines from 2021

Onion Paddle Assembly**Assy No 51952A**

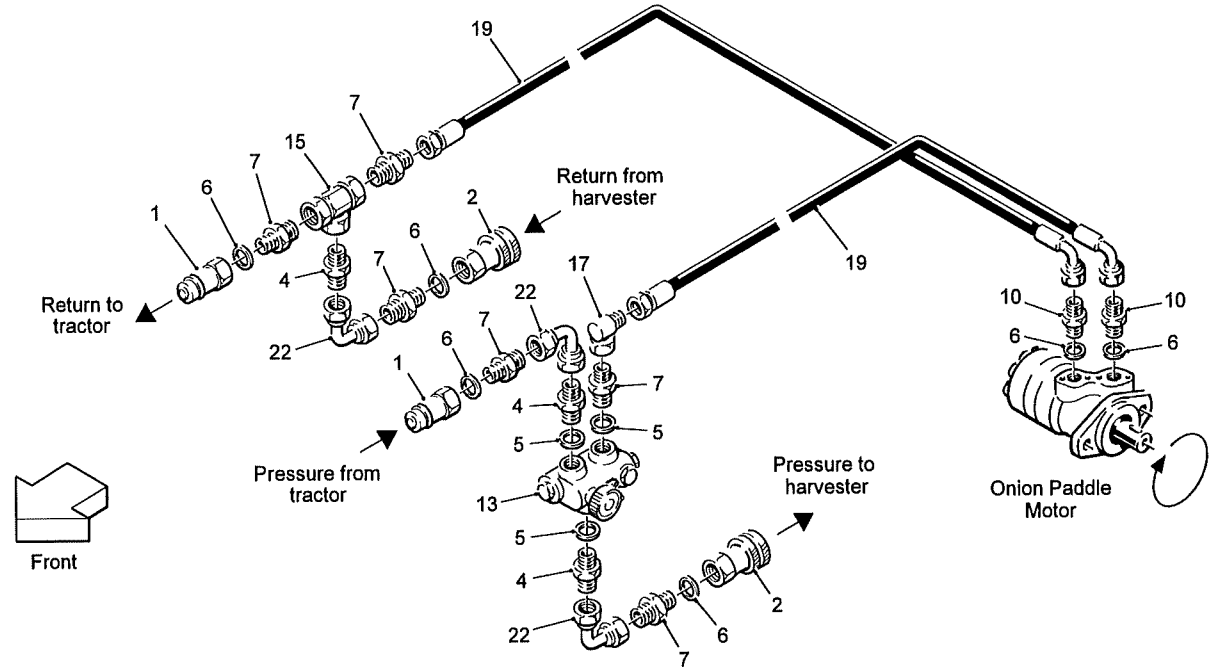
Item	Part No.	Description	Qty.	Remarks
56				
57	PS843	Ø25 External Circlip	2	
58				
59	SFT30A	Bearing	2	
60				
61	SS040017/010	Steel Spacer	2	
62				
63				
64				
65				
66	W0644/118	5/8"Pitch Drive Chain	1	
67				
68	YAR206-2F	Bearing	2	

Machines from 2021

Onion Paddle Hydraulics

Hydraulics (from tractor)

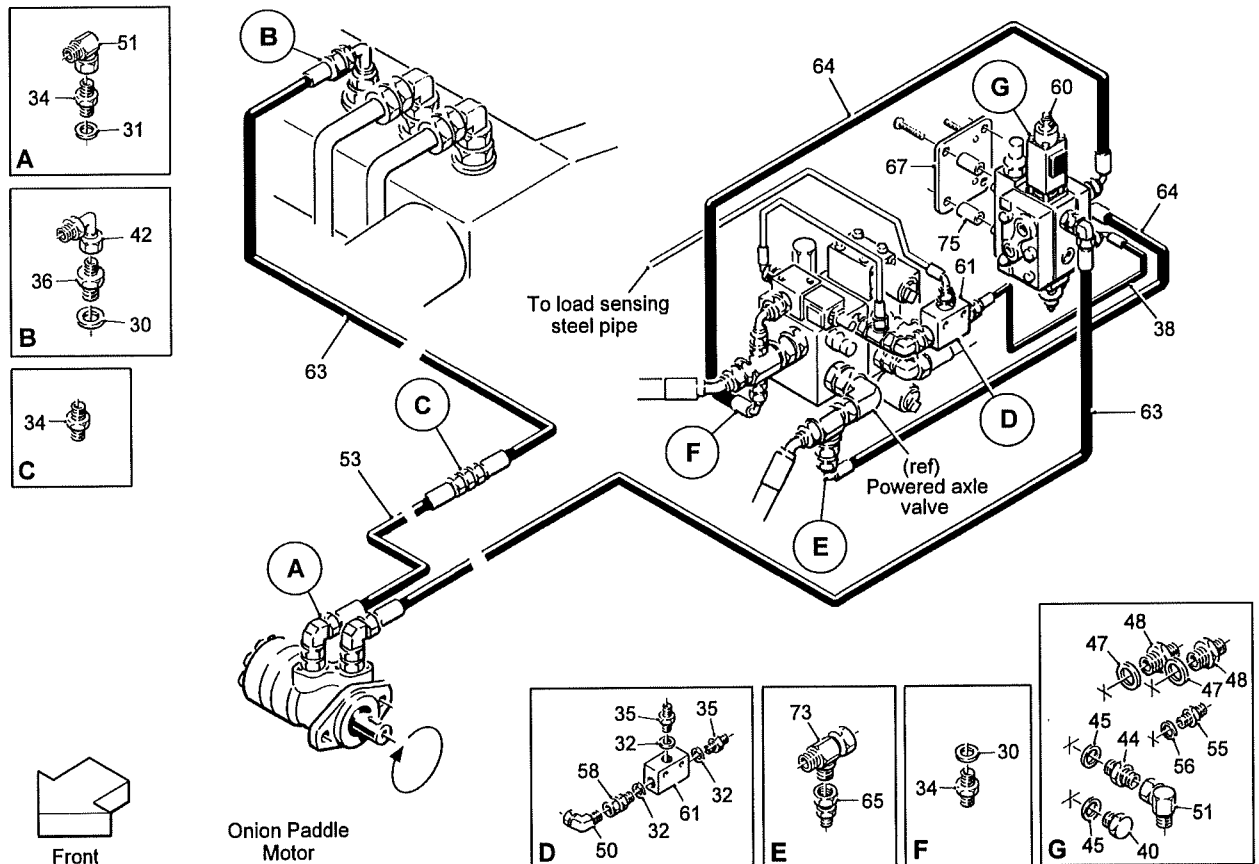
Assy No 64696A



T2-SP415

Hydraulics (from harvester)

Assy No 64696B



12.28a

T2 SPARE PARTS

Machines from 2021

Onion Paddle Hydraulics

Item	Part No.	Description	Qty.	Remarks
	64696A	Hydraulics (from tractor) Consists Of:		
1	10140	1/2"BSP Male Coupling	2	
2	10141	1/2"BSP Female Coupling	2	
3				
4	11115	3/4"BSP M M Adaptor	3	
5	11123	3/4"BSP Dowty Seal	3	
6	11124	1/2"BSP Dowty Seal	6	
7	11295	1/2"BSPx3/4"BSP M M Adaptor	6	
8				
9				
10	12315	1/2"BSP M M Adaptor	2	
11				
12				
13	27720	Variable Flow Divider	1	
14				
15	31186	3/4"BSP Female Tee	1	
16				
17	32475	1/2"BSP M F Compact 90°Adaptor	1	
18				
19	52527	1/2"Hose Assembly (3950mm)	2	
20				
21				
22	TBMW609	3/4"BSP Female Swept 90°Adaptor	3	
	64696B	Hydraulics (from harvester) Consists Of:		
30	11122	1"BSP Dowty Seal	1	
31	11124	1/2"BSP Dowty Seal	3	
32	11337	1/4"BSP Dowty Seal	3	
33				
34	12315	1/2"BSP M M Adaptor	4	
35	12316	1/4"BSP M M Adaptor	2	
36	12521	1/2"BSPx1"BSP M M Adaptor	1	
37				
38	13187	1/4"Hose Assembly (700mm)	1	
39				
40	16454	M18 Blanking Plug	1	
41				
42	26086	1/2"BSP M F Swept 90°Adaptor	1	
43				
44	27459	M18x1/2"BSP M M Adaptor	1	
45	27461	M18 Dowty Seal	2	
46				
47	31167	M22 Dowty Seal	2	
48	31168	M22x1/2"BSP M M Adaptor	2	
49				
50	32474	1/4"BSP M F Compact 90°Adaptor	1	
51	32475	1/2"BSP M F Compact 90°Adaptor	3	
52				
53	43210	1/2"Hose Assembly (3100mm)	1	
54				

T2 SPARE PARTS**12.28b**

Machines from 2021

Onion Paddle Hydraulics

Item	Part No.	Description	Qty.	Remarks
55	44207	M14x1/4"BSP M M Adaptor	1	
56	44208	M14 Dowty Seal	1	
57				
58	46724	1/4"BSPMx1/4"BSPF Swivel Adaptor	1	
59				
60	59643	Control Valve	1	
61	59644	1/4"BSP Shuttle Valve	1	
62				
63	60395	1/2"Hose Assembly (5200mm)	2	
64	60438	1/2"Hose Assembly (600mm)	2	
65	60544	1/2"BSP Mx1"BSP F Swivel Adaptor	1	
66				
67	64181	Valve Adaptor Plate	1	
68				
69				
70				
71				
72				
73	RPH724.111616	1"BSP F M M Tee	1	
74				
75	SS025011/050	Steel Spacer	4	

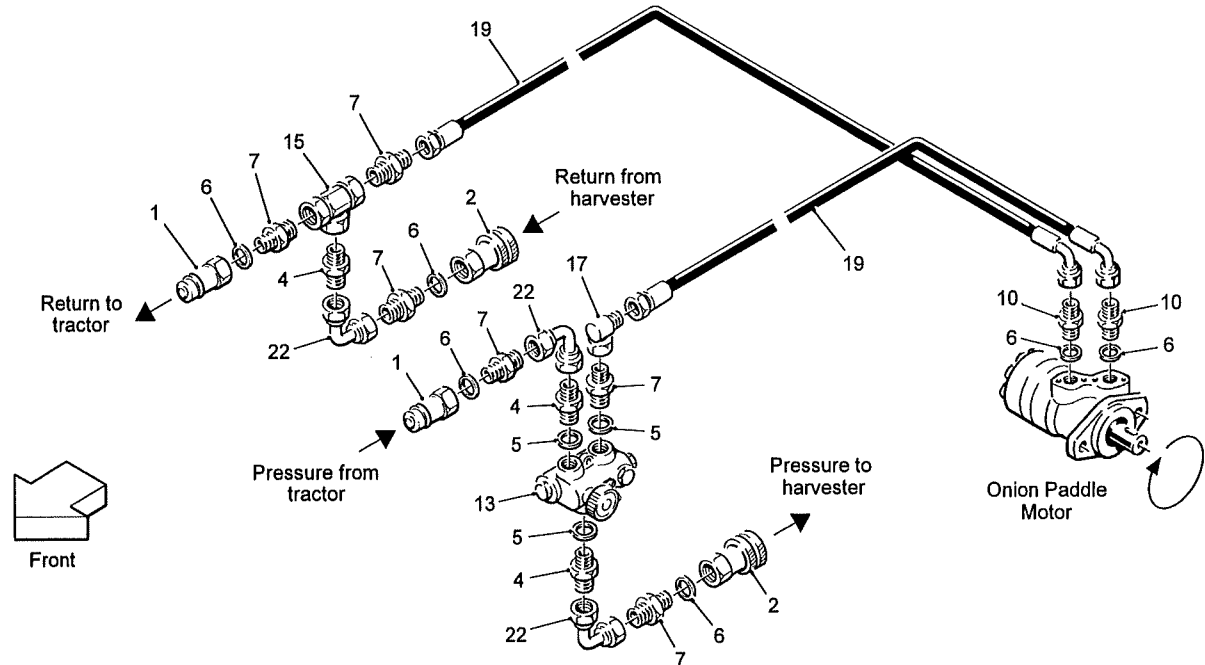


Machines from Serial No T2-288

Onion Paddle Hydraulics

Hydraulics (from tractor)

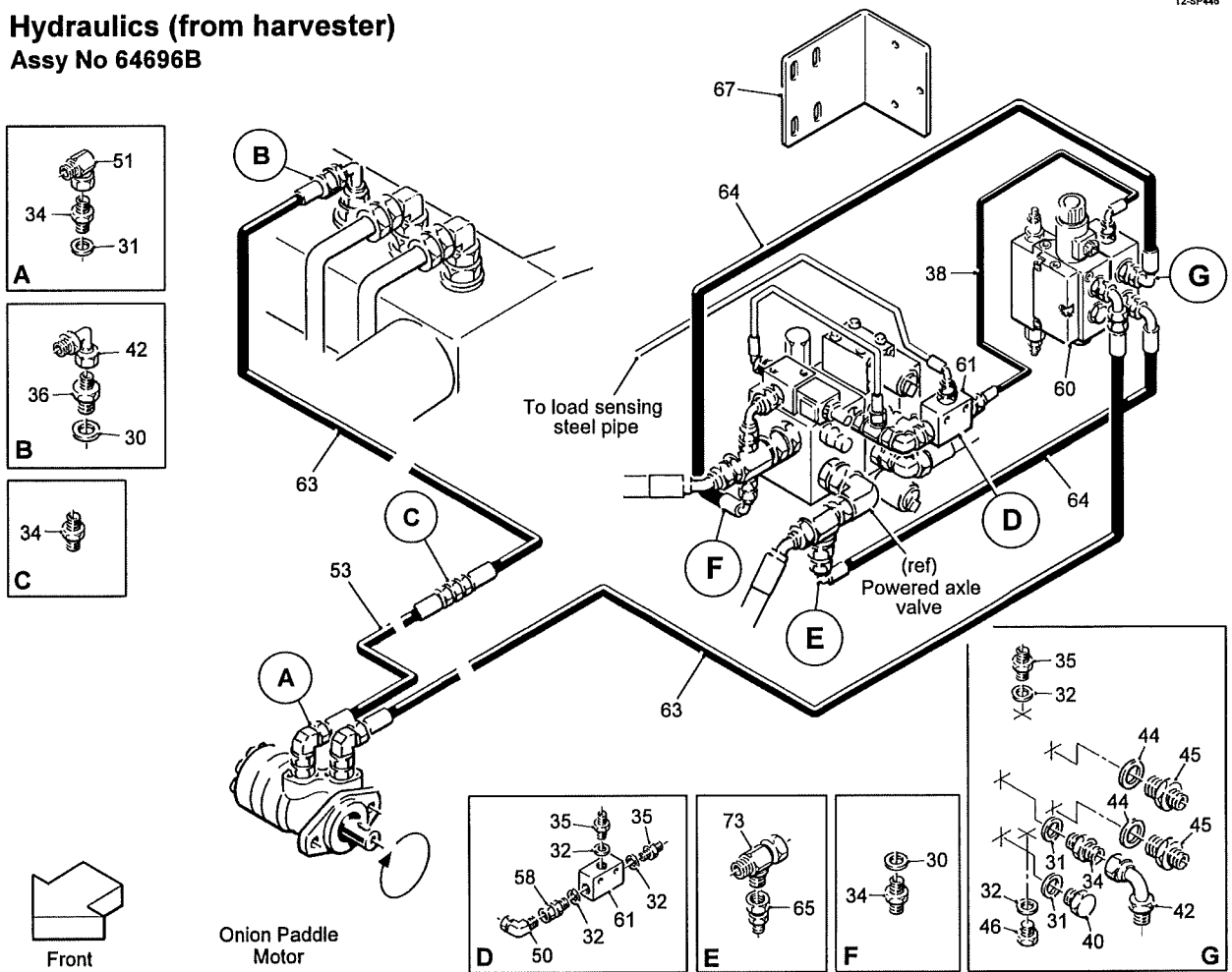
Assy No 64696A



T2-SP446

Hydraulics (from harvester)

Assy No 64696B



Machines from Serial No T2-288

Onion Paddle Hydraulics

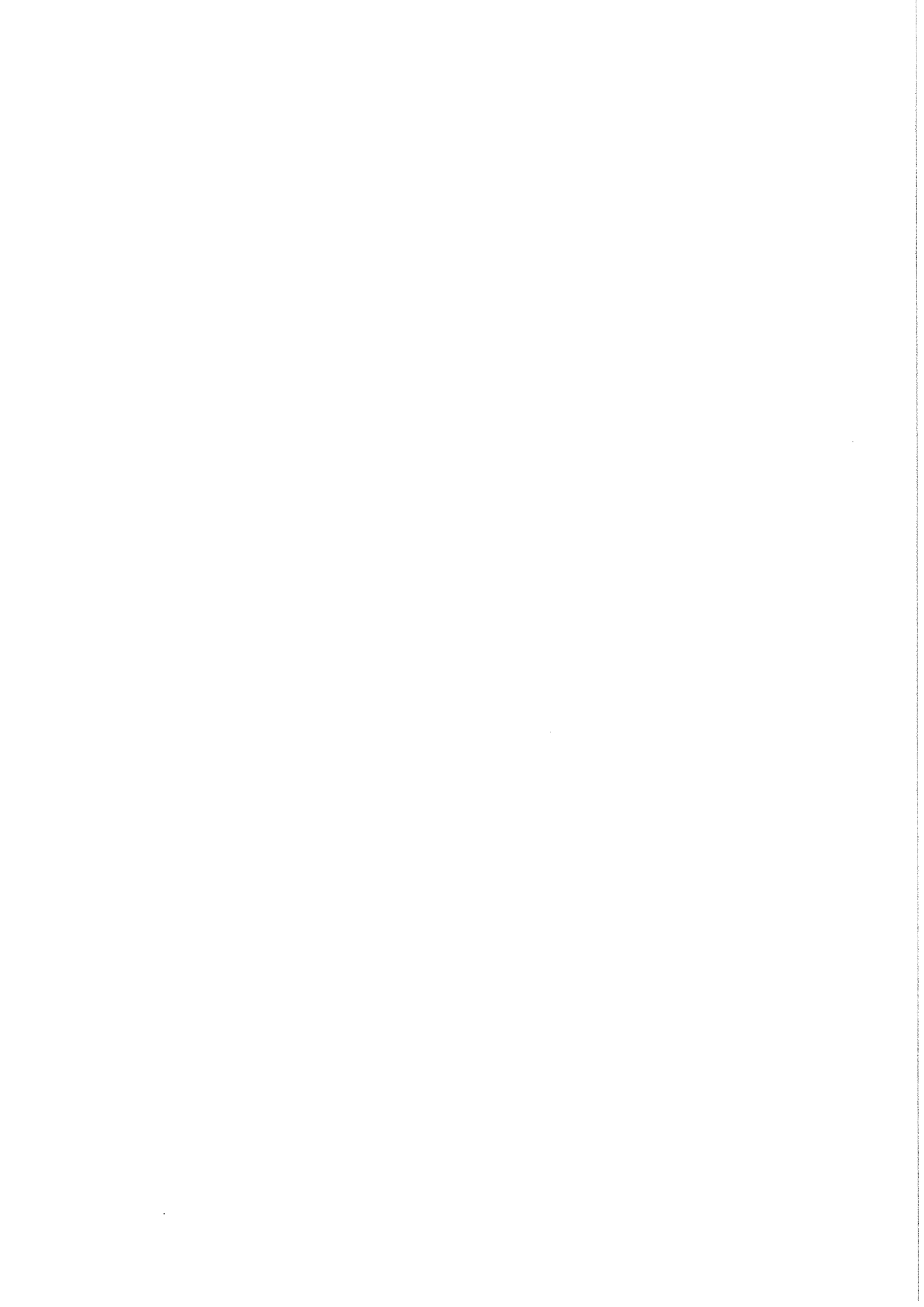
Item	Part No.	Description	Qty.	Remarks
	64696A	Hydraulics (from tractor) Consists Of:		
1	10140	1/2" BSP Male Coupling	2	
2	10141	1/2" BSP Female Coupling	2	
3				
4	11115	3/4" BSP M M Adaptor	3	
5	11123	3/4" BSP Dowty Seal	3	
6	11124	1/2" BSP Dowty Seal	6	
7	11295	1/2" BSPx3/4" BSP M M Adaptor	6	
8				
9				
10	12315	1/2" BSP M M Adaptor	2	
11				
12				
13	27720	Variable Flow Divider	1	
14				
15	31186	3/4" BSP Female Tee	1	
16				
17	32475	1/2" BSP M F Compact 90° Adaptor	1	
18				
19	52527	1/2" Hose Assembly (3950mm)	2	
20				
21				
22	TBMW609	3/4" BSP Female Swept 90° Adaptor	3	
	64696B	Hydraulics (from harvester) Consists Of:		
30	11122	1" BSP Dowty Seal	1	
31	11124	1/2" BSP Dowty Seal	4	
32	11337	1/4" BSP Dowty Seal	5	
33				
34	12315	1/2" BSP M M Adaptor	5	
35	12316	1/4" BSP M M Adaptor	3	
36	12521	1/2" BSPx1" BSP M M Adaptor	1	
37				
38	13187	1/4" Hose Assembly (700mm)	1	
39				
40	24383	1/2" BSP Blanking Plug	1	
41				
42	26086	1/2" BSP M F Swept 90° Adaptor	2	
43				
44	11123	3/4" BSP Dowty Seal	2	
45	11295	1/2" BSPx3/4" BSP M M Adaptor	2	
46	11876/8	1/4" BSP Blanking Plug	1	
47				
48				
49				
50	32474	1/4" BSP M F Compact 90° Adaptor	1	
51	32475	1/2" BSP M F Compact 90° Adaptor	2	
52				
53	43210	1/2" Hose Assembly (3100mm)	1	
54				

T2 SPARE PARTS**12.28b**

Machines from Serial No T2-288

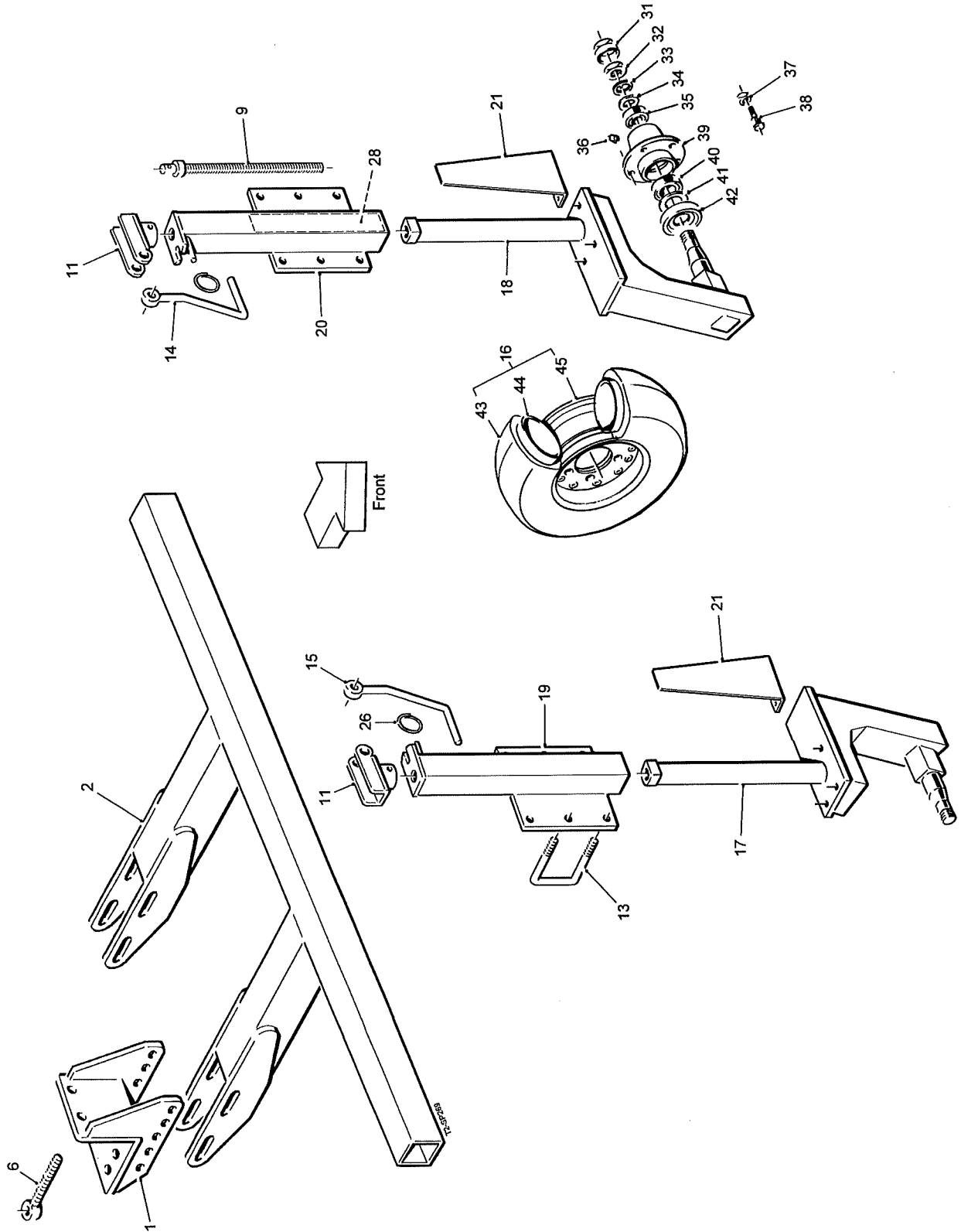
Onion Paddle Hydraulics

Item	Part No.	Description	Qty.	Remarks
55				
56				
57				
58	46724	1/4"BSPMx1/4"BSPF Swivel Adaptor	1	
59				
60	59643W	Control Valve	1	
61	59644	1/4"BSP Shuttle Valve	1	
62				
63	60395	1/2"Hose Assembly (5200mm)	2	
64	60438	1/2"Hose Assembly (600mm)	2	
65	60544	1/2"BSP Mx1"BSP F Swivel Adaptor	1	
66				
67	70329	Adaptor Plate	1	
68				
69				
70				
71				
72				
73	RPH724.111616	1"BSP F M M Tee	1	



Machines from 2021

Onion Paddle Depth Wheels
Assy No 62948



12.29a**T2 SPARE PARTS**

Machines from 2021

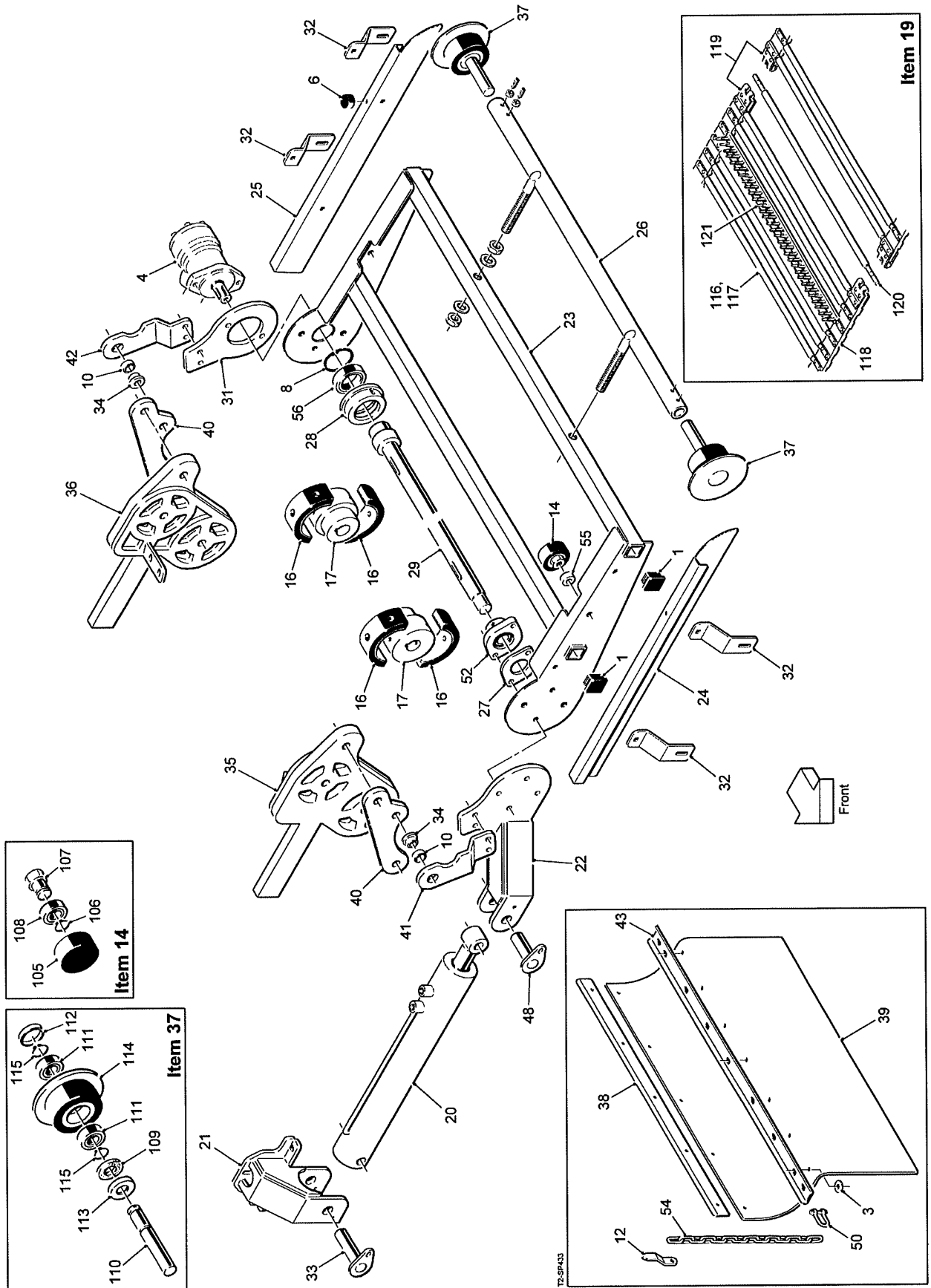
Onion Paddle Depth Wheels

Assy No 62948

Item	Part No.	Description	Qty.	Remarks
1	62324	Mounting Bracket	2	
2	62400	Mounting Frame	1	
3				
4				
5				
6	RPF120.116125	M16x140 Swing Bolt	4	
7				
8				
		Depth Wheel Assemblies Consist Of:		
9	33279	Adjuster Screw	2	
10				
11	47164	Pivot Bracket	2	
12				
13	50018	M12 'U' Bolt	4	
14	50083	Depth Handle	1	
15	50039	Depth Handle	1	
16	50071	Wheel Complete	2	(see list at end)
17	50072	Depth Wheel Leg	1	
18	50073	Depth Wheel Leg	1	
19	50074	Depth Wheel Mounting	1	
20	50075	Depth Wheel Mounting	1	
21	50082	Height Indicator	2	
22				
23				
24				
25				
26	DW60495	Spring Clip	2	
27				
28	TR267	Transfer	2	
29				
30				
31	50072X/1	End Cap	2	
32	50072X/2	Castellated Nut	2	
33	50072X/3	Locking Washer	2	
34	50072X/4	Spacer	2	
35	50072X/5	Bearing	2	
36	50072X/6	Grease Nipple	2	
37	50072X/7	Wheel Nut	10	
38	50072X/8	Wheel Stud	10	
39	50072X/9	Hub	2	
40	50072X/10	Bearing	2	
41	50072X/11	Seal	2	
42	50072X/12	Shroud	2	
		Wheel Complete Consists Of:		
43	50071 33117	6.00x9-6 Ply Tyre	1	
44	33118	Tube	1	
45	50077	Wheel Rim	1	

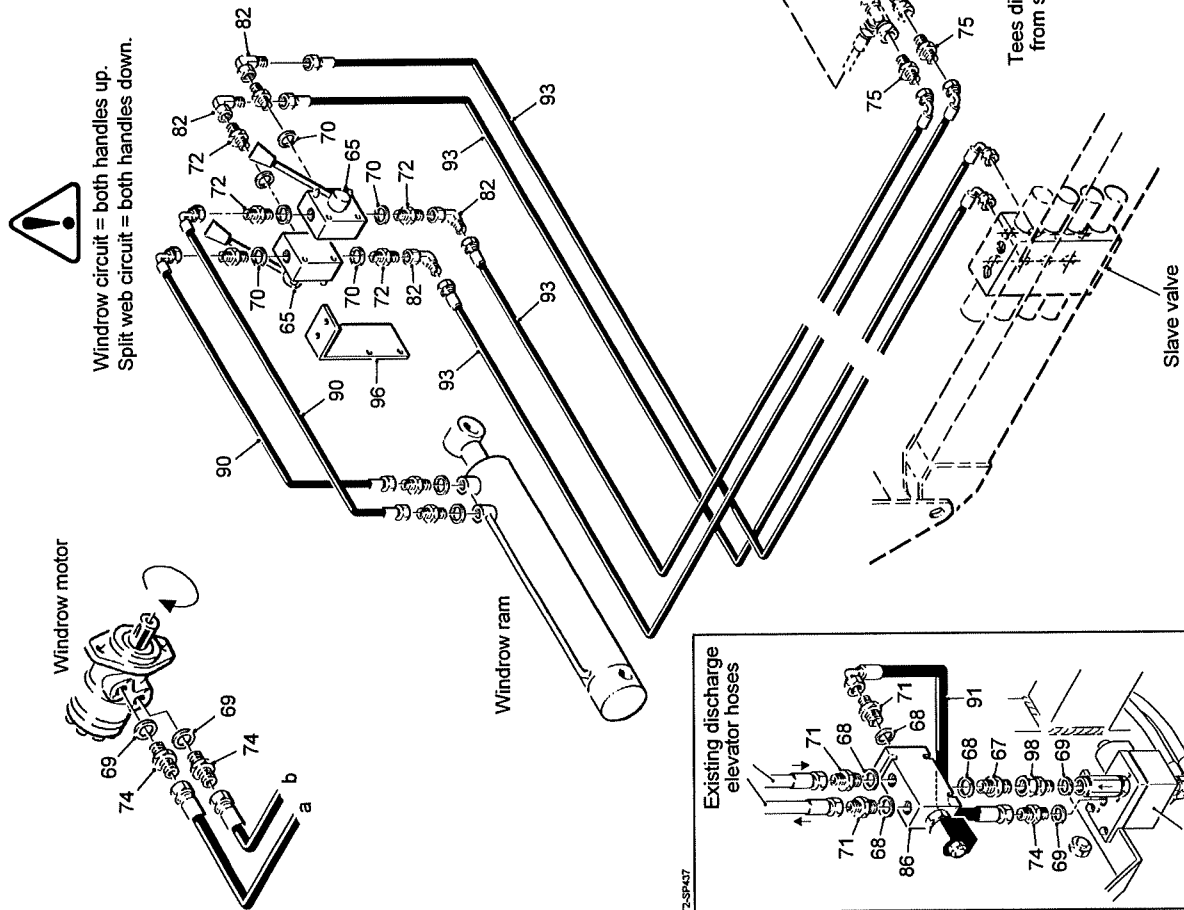
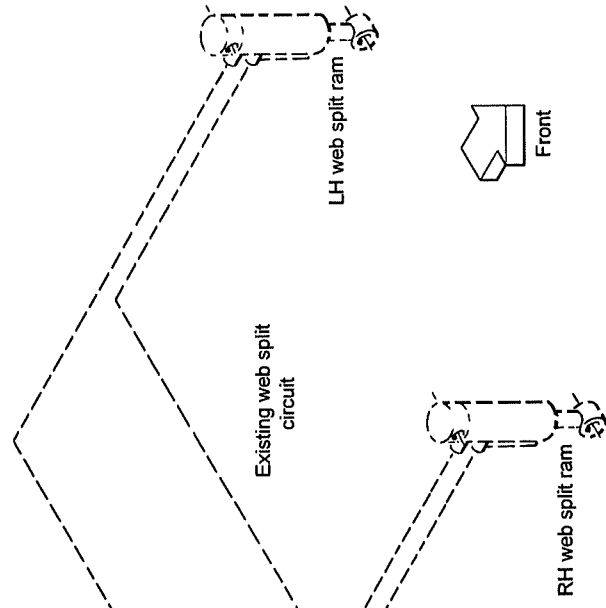
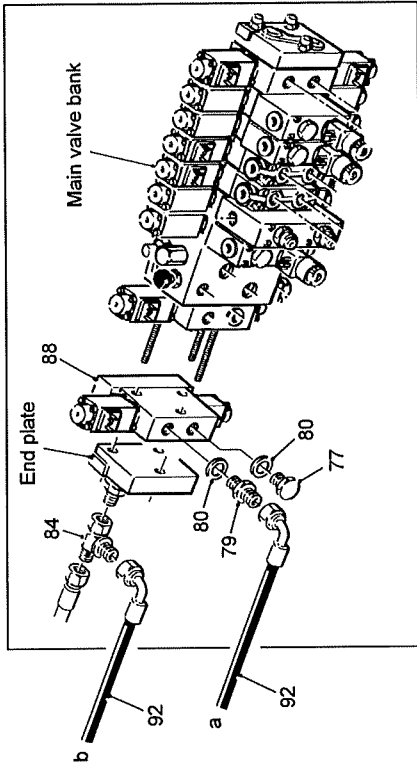
Machines from 2021

Hydraulically Driven Windrow Kit
Assy No 64121

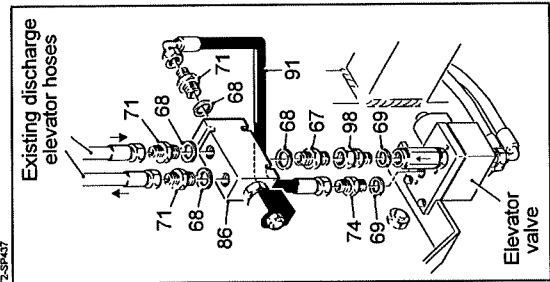


Machines from 2021

Hydraulically Driven Windrow Kit
Assy No 64121



⚠
Windrow circuit = both handles up.
Split web circuit = both handles down.



TZ-SP437

T2 SPARE PARTS**12.30b**

Machines from 2021

Hydraulically Driven Windrow Kit**Assy No 64121**

Item	Part No.	Description	Qty.	Remarks
1	27159	Plastic Insert (40x40)	4	
2				
3	37108	Ø30 Washer	7	
4	37898	Hydraulic Motor	1	
5				
6	43288	Bump Stop	2	
7				
8	46564	Ø90 Internal Circlip	1	
9				
10	54114	Bush	2	
11				
12	57219	Chain Latch	2	
13				
14	59222	Roller Assembly	2	(see list at end)
15				
16	61035	Drive Shoe Half	4	
17	61036	Drive Shoe Hub	2	
18				
19	64101/40	40mm Pitch Web Assembly	1	(see list at end)
20	64103	Hydraulic Ram	1	
21	64104	Ram Mount	1	
22	64105	Ram Mount	1	
23	64106	Windrow Frame	1	
24	64107	Panel Front	1	
25	64108	Panel Rear	1	
26	64109	Roller Mounting	1	
27	64110	Bearing Spacer	1	
28	64111	Bearing Housing	1	
29	64112	Drive Shaft	1	
30				
31	64114	Motor Mount	1	
32	64115	Panel Mounting Bracket	4	
33	64116	Ram Pin (long)	1	
34	64117	Pivot Boss	2	
35	64118	Roller Mounting (front)	1	
36	64119	Roller Mounting (rear)	1	
37	64132	Roller Assembly	2	(see list at end)
38	64133	Clamp Strip	1	
39	64134	Rubber Flap	1	
40	64144	Mounting Plate	1	
41	64145	Pivot Bracket (front)	1	
42	64146	Pivot Bracket (rear)	1	
43	64159	Flap Baton	1	
44				
45				
46				
47				
48	65011	Ram Pin (short)	1	
49				
50	H171	Shackle	2	
51				
52	LFTC30	Bearing	1	
53				
54	S-W6210013/008	Chain	2	
55	SS025013/015	Steel Spacer	2	

12.30c**T2 SPARE PARTS**

Machines from 2021

Hydraulically Driven Windrow Kit

Assy No 64121

Item	Part No.	Description	Qty.	Remarks
56	62102RS	Bearing		
57				
58				
		Hydraulic Components Consist Of:		
65	10275	Diverter Valve	2	
66				
67	11115	3/4"BSP M M Adaptor	1	
68	11123	3/4"BSP Dowty Seal	4	
69	11124	1/2"BSP Dowty Seal	4	
70	11125	3/8"BSP Dowty Seal	8	
71	11295	1/2"BSP x 3/4"BSP M M Adaptor	3	
72	11336	1/4"BSP x 3/8"BSP M M Adaptor	8	
73				
74	12315	1/2"BSP M M Adaptor	3	
75	12316	1/4"BSP M M Adaptor	2	
76				
77	16454	M18 Blanking Plug	1	
78				
79	27459	M18 x 1/2"BSP M M Adaptor	1	
80	27461	M18 Dowty Seal	2	
81				
82	32474	1/4"BSP M F Compact 90° Adaptor	4	
83				
84	37367	1/2"BSP FMM Tee	1	
85				
86	51073	Elevator Reverse Valve	1	
87				
88	57217	Motor Valve Slice	1	Was RPS360-1
89				
90	60201	1/4"Hose Assembly (1100mm)	2	Was 41169
91	60490	1/2"Hose Assembly (500mm)	1	
92	71124	1/2"Hose Assembly (9100mm)	2	Was 60715
93	71125	1/4"Hose Assembly (8900mm)	4	Was 37455
94				
95				
96	64184A	Valve Bracket	1	Was 64184
97				
98	TBMW659	1/2"BSP Mx3/4"BSPF Swivel Adaptor	1	
	59222	Roller Assembly Consists Of:		
105	0000301601	Ø66 Rubber Roller	1	
106	12298	Ø20 External Circlip	1	
107	59223	Roller Spindle	1	
108	62042RS	Bearing	1	
	64132	Roller Assembly Consists Of:		
109	0000300504	Felt Seal	1	
110	64131	Roller Spindle	1	
111	6005RS	Bearing	2	
112	PH407	Seal	1	

T2 SPARE PARTS**12.30d**

Machines from 2021

Hydraulically Driven Windrow Kit**Assy No 64121**

Item	Part No.	Description	Qty.	Remarks
113	PH408	Seal	1	
114	PH51AR	Ø90 Flanged Roller	1	
115	PS843	Circlip	2	
	64101/40	40mm Pitch Web Assembly		
		Consists Of:		
116	-	Ø11 Web Rod	-	
117	-	Ø16 Rubber Cover	-	
118	-	Belt	2	
119	-	'F' Type Joiner Complete	2	
120	-	Ø11 Joining Rod	1	
121	-	Double Pintle Rod	-	

