

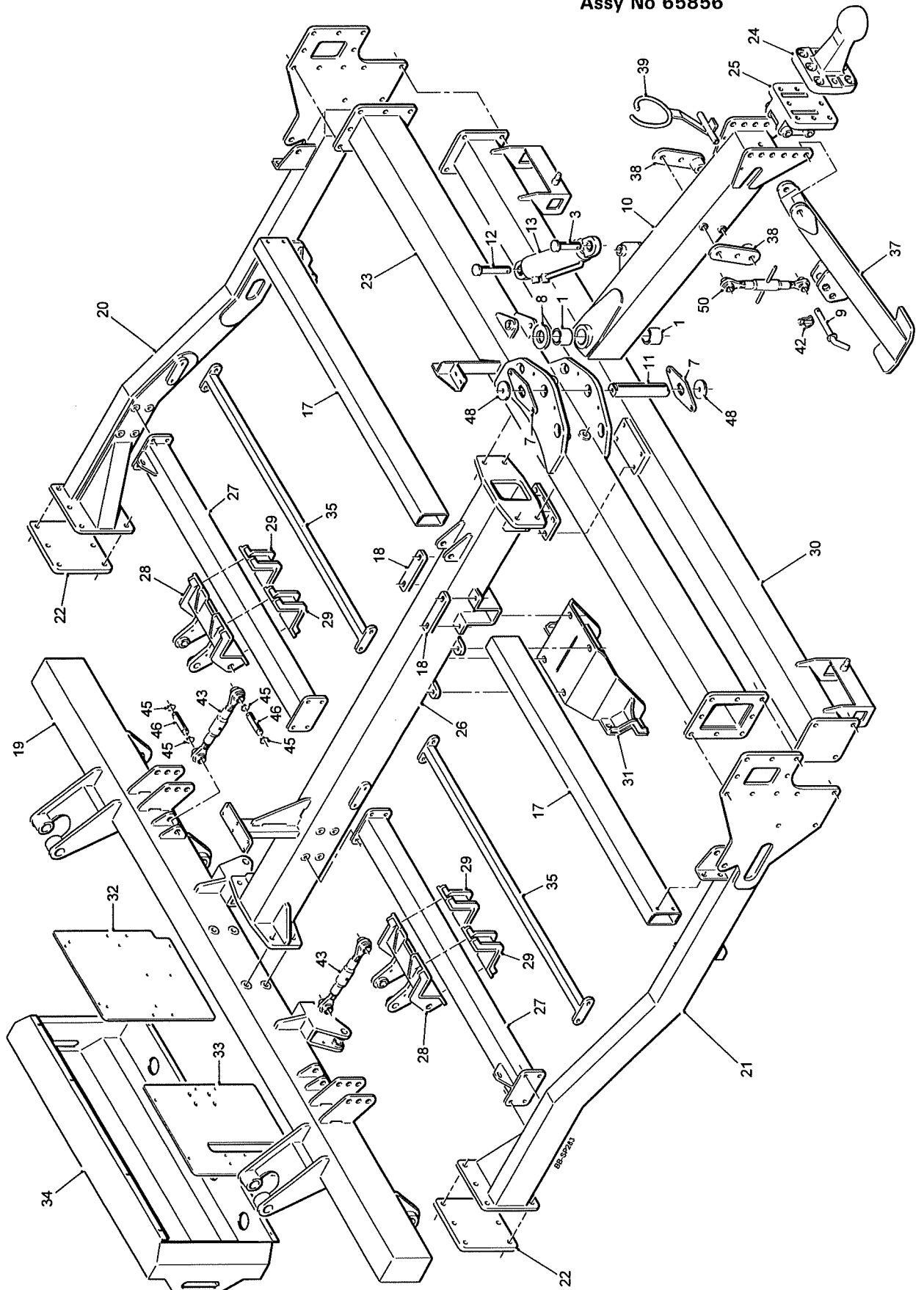
CONTENTS

SR400 PLANTER SPARE PARTS

Main Frame & Drawbar	2.1
Rear Wheels	2.2
Hopper (front section)	2.3
Hopper (rear section)	2.4
Conveyor Assemblies	2.5
Tunnel Assemblies	2.6
Opener Assemblies	2.7
Front Levelling Ploughs	2.9
Soil Retention Panels	2.10
Parallel Linkage Tool Bar	2.12
Adjustable Moulding Board	2.13
Hydraulics (space selector & conveyors)	2.17
Hydraulics (ram circuits)	2.18
Hydraulics (moulding board)	2.19
Road Lights	2.20
Automatic Space Selector	2.22
Lane Adjuster Assembly	2.24

Note: When using the following pages to order replacement parts, please quote the full serial number of your machine.

Main Frame & Drawbar Assy No 65856



2.1a

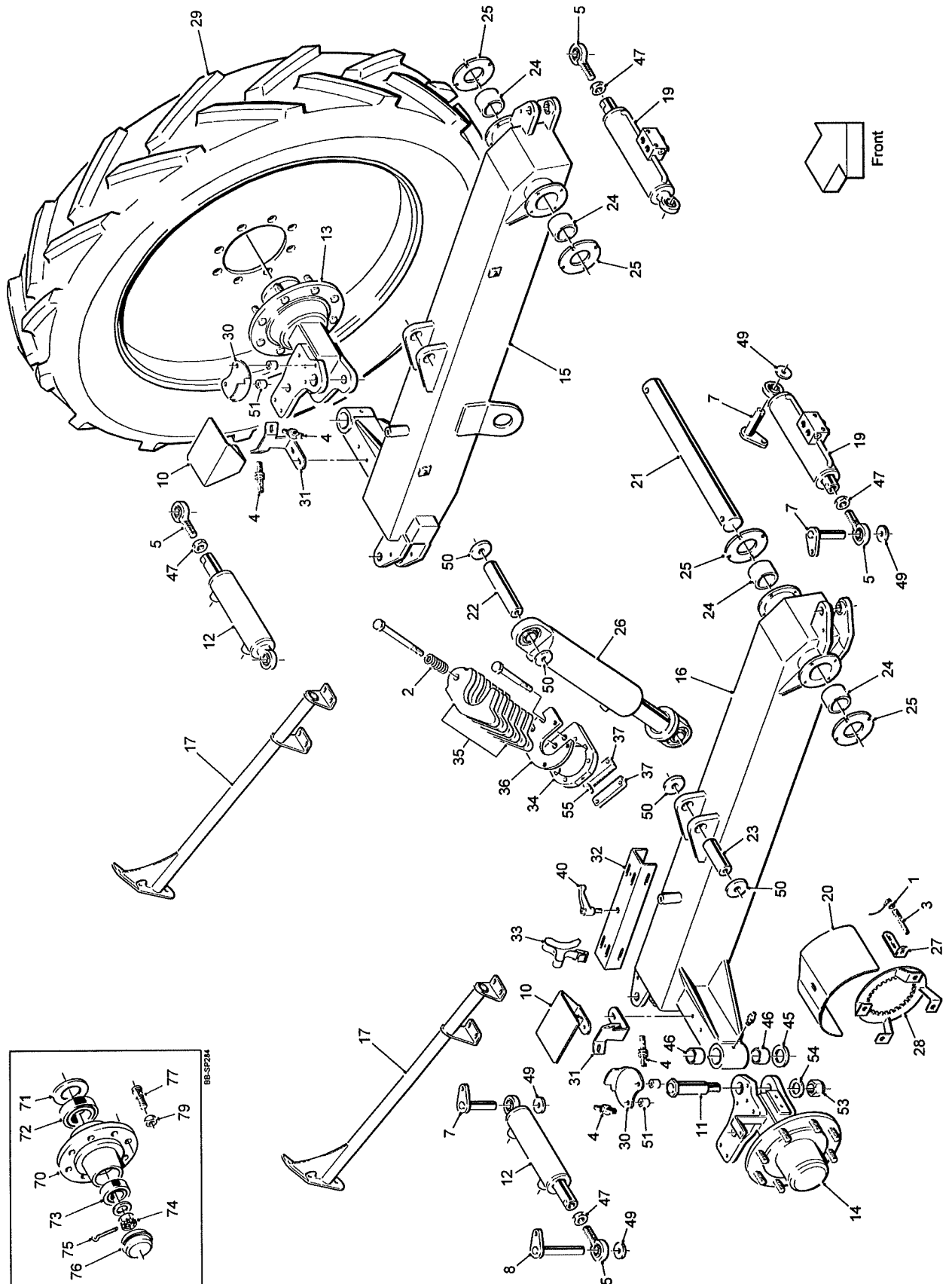
SR SERIES PLANTER SPARE PARTS

Main Frame & Drawbar

Assy No 65856

Item	Part No.	Description	Qty.	Remarks
1	44189	Nylon Bush	2	
2				
3	46391	Ram Pin (short)	1	
4				
5				
6				
7	56120	Keep Plate	2	
8	56121	Thrust Washer	1	
9	57183	Ø25 Stand Pin	1	
10	59101	Drawbar	1	
11	59102	Drawbar Pivot Pin	1	
12	59366	Ram Pin (long)	1	
13	59626	Hydraulic Ram	1	
14				
15				
16				
17	65713A	Tunnel Support Beam	2	
18	65714	Clamp Plate	2	
19	65728	Rear Axle Beam	1	
20	65729	Side Frame LH	1	
21	65730	Side Frame RH	1	
22	65731	Clamp Plate	2	
23	65733	Front Beam	1	
24	65734	Spoon Hitch	1	
25	65735	Spoon Hitch Mounting	1	
26	65736	Centre Beam	1	
27	65756	Cross Beam	2	
28	65759	Hopper Ram Mounting	2	
29	65760	Clamp Bracket	4	
30	65770	Opener Mounting Beam	1	
31	65828	Parallel Linkage Mounting	1	
32	65853	Electric Box Mounting Plate	1	
33	65869	Valve Mounting Plate	1	
34	65880	Rear Cover	1	
35	65884	Conveyor Support Beam	2	
36				
37	72004	Stand	1	
38	72005	Stand Bracket	2	
39	72011	Hose Support Ring	1	
40				
41				
42	DW50934	Clip Pin	1	
43	DW208007970	Top Link Assembly	2	
44				
45	RPF200.025200	Ø25 External Circlip	8	
46	RPM146.306627	Pivot Pin	4	
47				
48	SS070017/005	Steel Spacer	2	
49				
50	KA20533	Top Link Assembly	1	

Rear Wheels Assy No 65825



2.2a

SR SERIES PLANTER SPARE PARTS

Rear Wheels

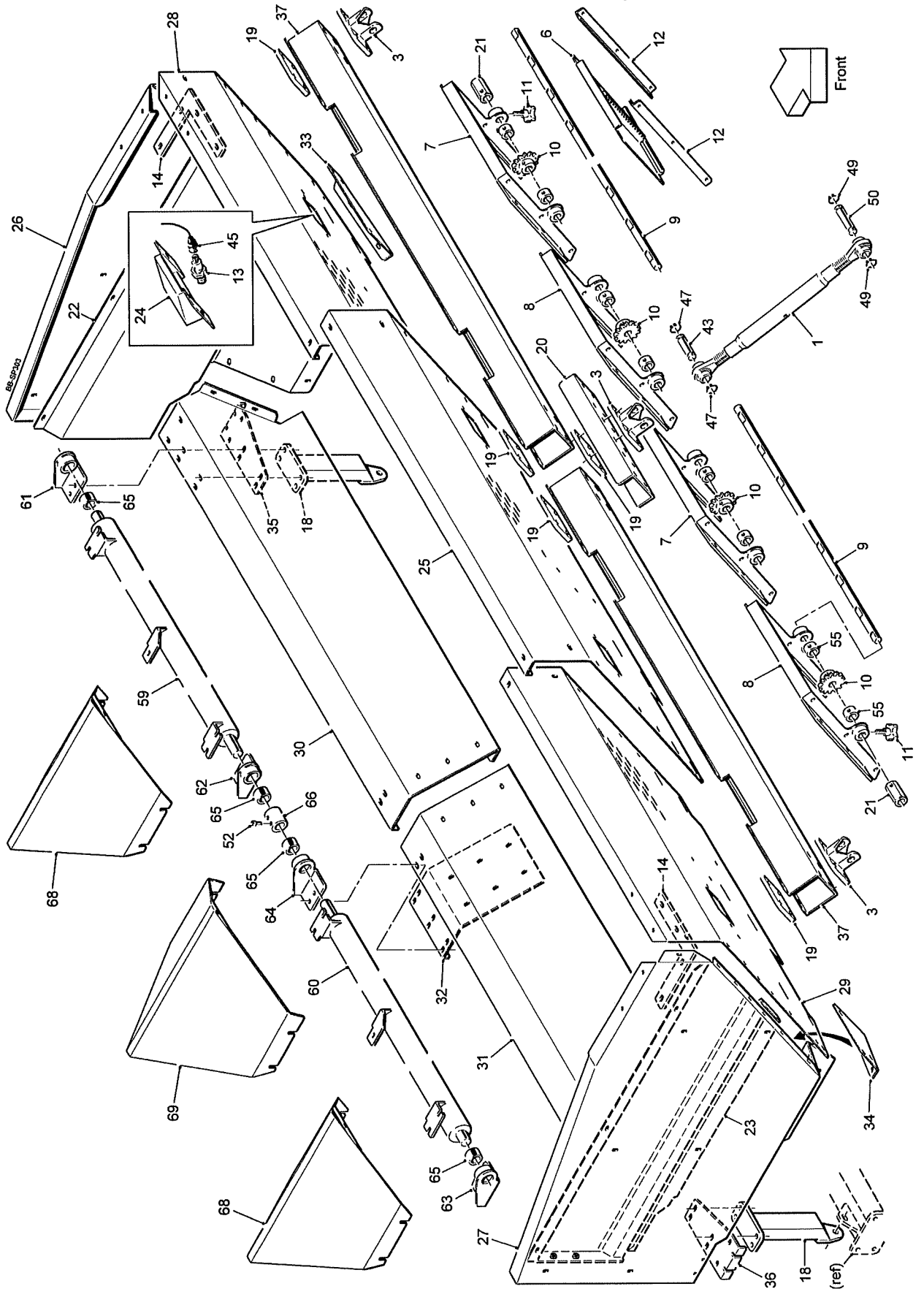
Assy No 65825

Item	55Part No.	Description	Qty.	Remarks
1	32037/***	Sensor Cable 90° (***)m	1	
2	17127	Compression Spring	2	
3	36124	Proximity Sensor	1	
4	41504	Proximity Sensor	4	
5	57035	Male Rod End	4	
6				
7	61046	Pivot Pin (short)	6	
8	61046A	Pivot Pin (long)	2	
9				
10	65947	Sensor Guard	2	
11	65689A	Axle Pivot Pin	2	
12	65699A	Hydraulic Ram	2	
13	65700L	LH Stub Axle Assembly	1	
14	65700R	RH Stub Axle Assembly	1	
15	65701	Axle Arm LH	1	
16	65702	Axle Arm RH	1	
17	65703	Light Bracket	2	
18				
19	65716	Hydraulic Ram	2	
20	65793A	Sensor Shield	1	
21	65822	Axle Slider Pin	2	
22	65823	Ram Pin (long)	2	
23	65824	Ram Pin (short)	2	
24	65826	Bush	4	
25	65827	Bush Retainer	4	
26	65855	Hydraulic Ram	2	
27	65865	Sensor Mounting	1	
28	65872	Sensor Wheel	1	
29	65874	Wheel Assembly	2	
30	65945	Sensor Target Plate	2	
31	65946	Sensor Bracket	2	
32	65910	Hopper Ram Prop	2	
33	65911	Securing Strap	4	
34	65958	Ram Stop Mount	2	
35	65959/20	Ram Stop (20mm)	12	
36	65960	Ram Stop Retaining Plate	2	
37	65961	Anti-Twist Plate	4	
38				
39				
40	72034	Locking Handle	2	
41				
42				
43				
44				
45	RPGM065.00046	Brass Washer	2	
46	RPM148.308877	Brass Bush	4	
47	RPF174.524000	M24 Fine Nut	4	
48				
49	SS040011/006	Steel Spacer	8	
50	SS050017/005	Steel Spacer	8	
51	SS025011/025	Steel Spacer	4	
52				
53	22041030	M30 Nyloc Nut	2	
54	22046030	M30 Flat Washer	2	
55	22018010/030	M10x30 Grubscrew	2	

SR SERIES PLANTER SPARE PARTS**2.2b****Rear Wheels****Assy No 65825**

Item	Part No.	Description	Qty.	Remarks
		Hub Assembly Consists Of:		
70	52028/1X/1	Hub	1	
71	52028/1X/2	Retaining Ring	1	
72	52028/1X/3	Bearing (inner)	1	
73	52028/1X/4	Bearing (outer)	1	
74	52028/1X/5	Castellated Nut	1	
75	52028/1X/6	Split Pin	1	
76	52028/1X/7	End Cap	1	
77	42059A/7	M20 Wheel Stud	8	
78				
79	42059A/9	M20 Wheel Nut	8	

Hopper (front section) Assy No 65738



2.3a

SR SERIES PLANTER SPARE PARTS

Hopper (front section)

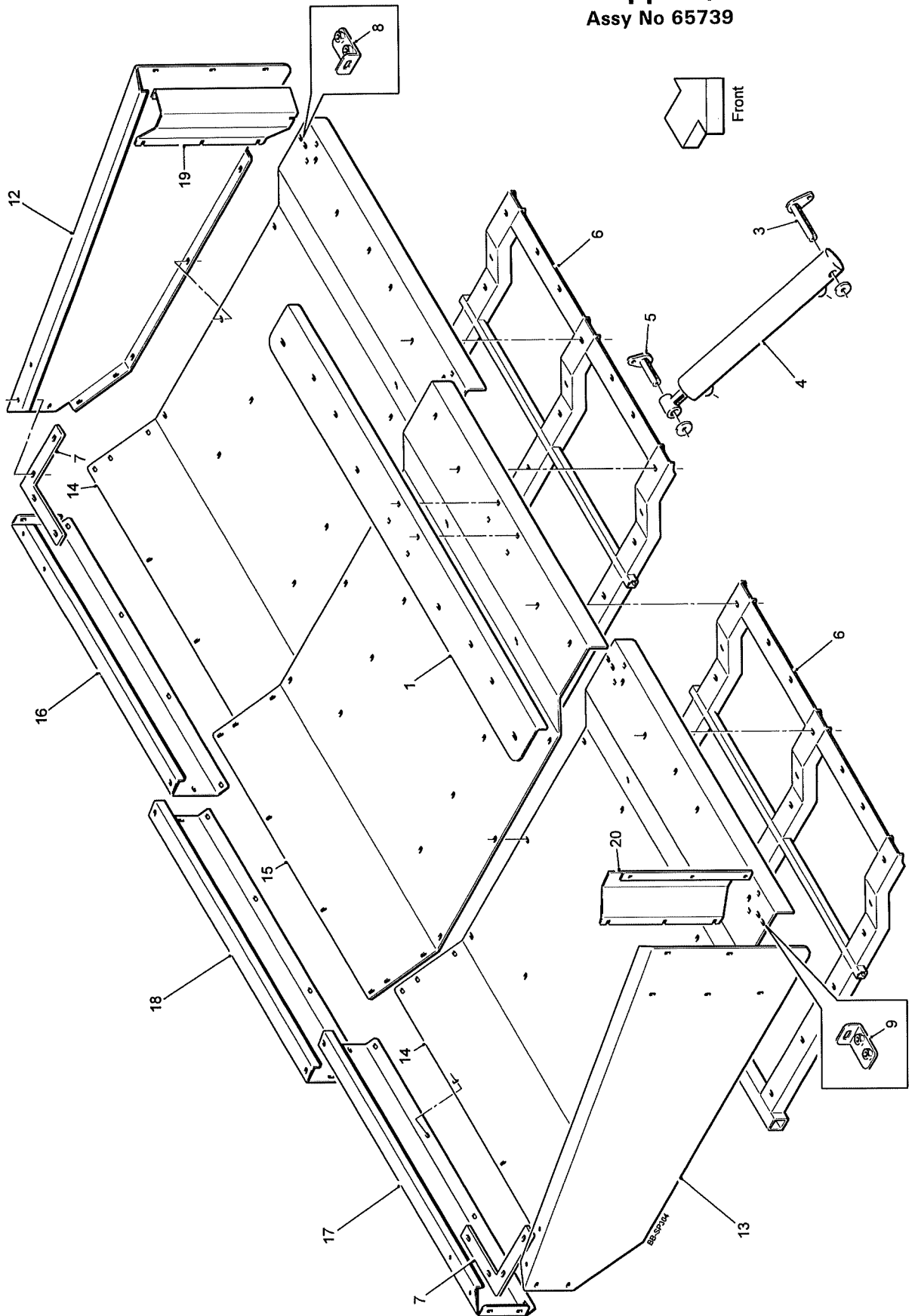
Assy No 65738

Item	Part No.	Description	Qty.	Remarks
1	43048	Adjustable Link	3	
2				
3	61964	Stay Bracket	3	
4				
5				
6	72140	Regulator Gate	4	
7	72137A	Regulator Gate Frame LH	2	
8	72138A	Regulator Gate Frame RH	2	
9	72038	Adjuster Shaft	4	
10	65666	Pinion Gear	4	
11	65669	Locking Knob	2	
12	72139	Gate Guide	8	
13	65727	Photo Electric Sensor	2	
14	65748	Corner Plate	2	
15				
16				
17				
18	65757	Hopper Support	2	
19	65761	Clamp Plate (tapped)	5	
20	65762	Centre Channel	1	
21	65780	Adjuster Nut	2	
22	72013	Strengthen Side Panel LH	1	
23	72014	Strengthen Side Panel RH	1	
24	65821	Sensor Mounting	4	
25	72157	Front Panel Centre	1	
26	72160	Side Panel LH	1	
27	72161	Side Panel RH	1	
28	72158	Front Panel LH	1	
29	72159	Front Panel RH	1	
30	72162	Rear Panel LH	1	
31	72163	Rear Panel RH	1	
32	65836	Rear Panel Joiner	1	
33	72164	Corner Plate LH	1	
34	72165	Corner Plate RH	1	
35	65839LH	Support Angle LH	1	
36	65839RH	Support Angle RH	1	
37	65840	Support Channel	2	
38				
39				
40				
41				
42				
43	DWS723	Pin (short)	3	
44				
45	JK63720/2	Sensor Cable Straight (5m)	2	
46				
47	PS843	Ø25 Exteral Circlip (1.2mm thick)	6	
48				
49	RPF200.025200	Ø25 Exteral Circlip (2mm thick)	6	
50	RPM146.306627	Pin (long)	3	
51				
52	22018008/016	M8x16 Grubscrew	2	
53				
54				
55	W0979	Locking Collar	8	

SR SERIES PLANTER SPARE PARTS**2.3b****Hopper (front section)****Assy No 65738**

Item	Part No.	Description	Qty.	Remarks
56				
57				
58				
59	72017	Pivot Mount LH	1	
60	72018	Pivot Mount RH	1	
61	72019	Hopper Pivot Outer LH	1	
62	72020	Hopper Pivot Inner LH	1	
63	72021	Hopper Pivot Outer RH	1	
64	72022	Hopper Pivot Inner RH	1	
65	72023	Bronze Bush	4	
66	72026	Locking Collar	1	
67				
68	72166	Outer Divider Panel	2	
69	72167	Centre Divider Panel	1	

Hopper (rear section)
Assy No 65739



2.4a

SR SERIES PLANTER SPARE PARTS

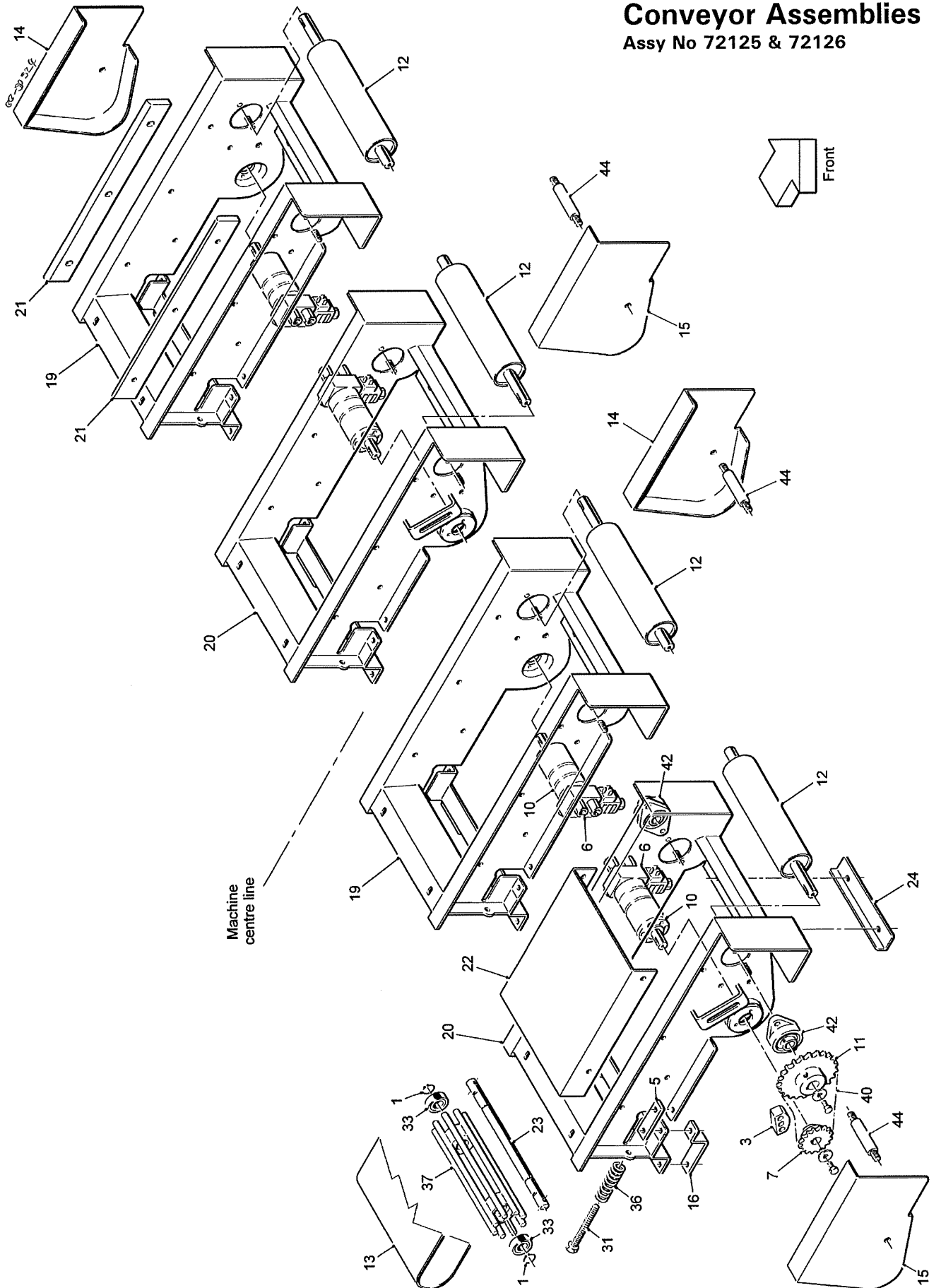
Hopper (rear section)

Assy No 65739

Item	Part No.	Description	Qty.	Remarks
1	72027	Support Plate	1	
2				
3	65010	Ram Pin (long)	2	
4	65212	Hydraulic Ram	2	
5	65214	Ram Pin (short)	2	
6	65740	Tipping Hopper Support Frame	2	
7	65748	Corner Plate	2	
8	65749	Fixing Bracket LH	1	
9	65750	Fixing Bracket RH	1	
10				
11				
12	72168	Side Panel LH	1	
13	72169	Side Panel RH	1	
14	72173	Base Panel Outer	2	
15	72174	Base Panel Centre	1	
16	72171	Rear Panel LH	1	
17	72172	Rear Panel RH	1	
18	72170	Rear Panel Centre	1	
19	72175	Corner Panel LH	1	
20	72176	Corner Panel RH	1	

Conveyor Assemblies

Assy No 72125 & 72126



2.5a

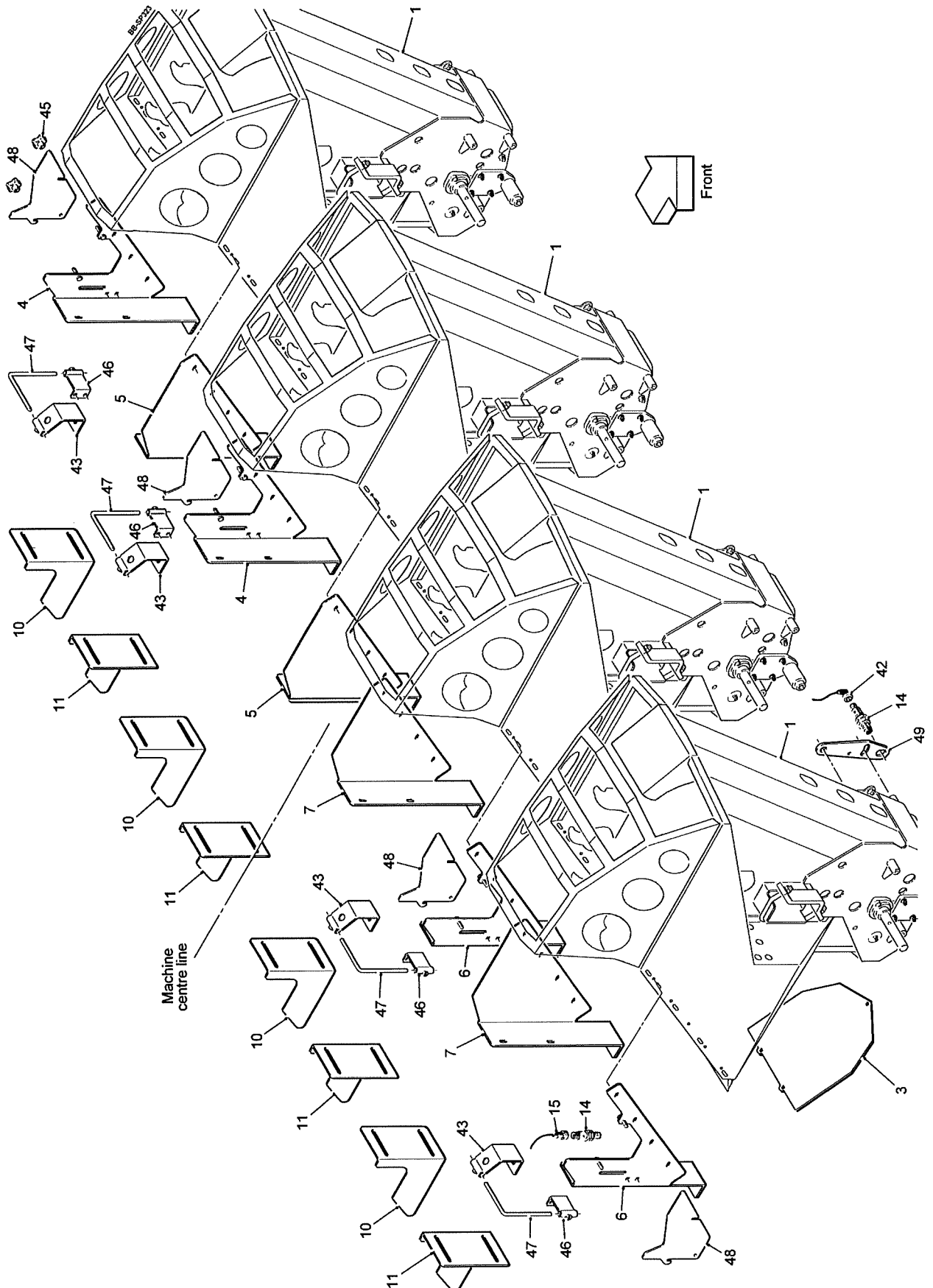
SR SERIES PLANTER SPARE PARTS

Conveyor Assemblies

Assy No 72125 & 72126

Item	Part No.	Description	Qty.	Remarks
1	12298	Ø20 External Circlip	8	
2				
3	17155	Nylon Web Tensioner	4	
4				
5	54013	Joining Strip	8	
6	54266	Motor Manifold	4	
7	54288	16T 1/2"Pitch Sprocket	4	
8				
9				
10	65002	Hydraulic Motor	4	
11	65276	34T 1/2"Pitch Sprocket	4	
12	65565A	Drive Roller	4	
13	65566B	Conveyor Belt	4	
14	65571	Chain Guard LH	4	
15	65572	Chain Guard RH	2	
16	65887	Conveyor Strap	2	
17			8	
18				
19	72127	Conveyor Frame LH	2	
20	72128	Conveyor Frame RH	2	
21	72129	Nylon Side Strip	8	
22	72130	Belt Support Plate	4	
23	72131	Cage Roller Shaft	4	
24	72132	Conveyor Clamp Strip	4	
25				
26				
27				
28				
29				
30				
31	22011010/100	M10x100 Setscrew	8	
32				
33	60042RS	Bearing	8	
34				
35				
36	JK63550	Compression Spring	8	
37	JK63266	Cage Roller	4	
38				
39				
40	PH526/56	1/2"Pitch Drive Chain	4	
41				
42	SFT20	Bearing	8	
43				
44	SP279M	Guard Bolt	4	

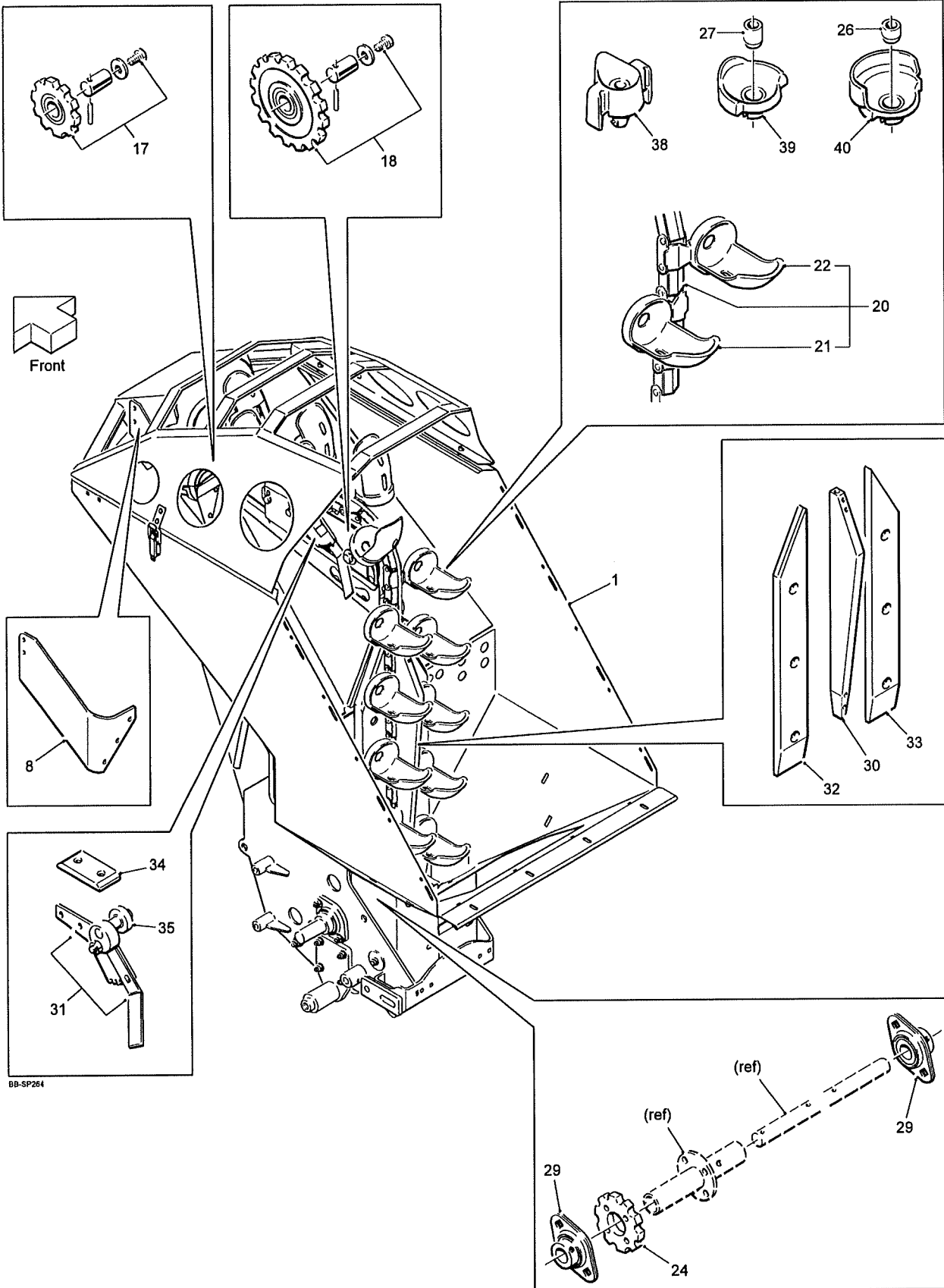
Tunnel Assemblies



2.6a

SR SERIES PLANTER SPARE PARTS

Tunnel Assemblies



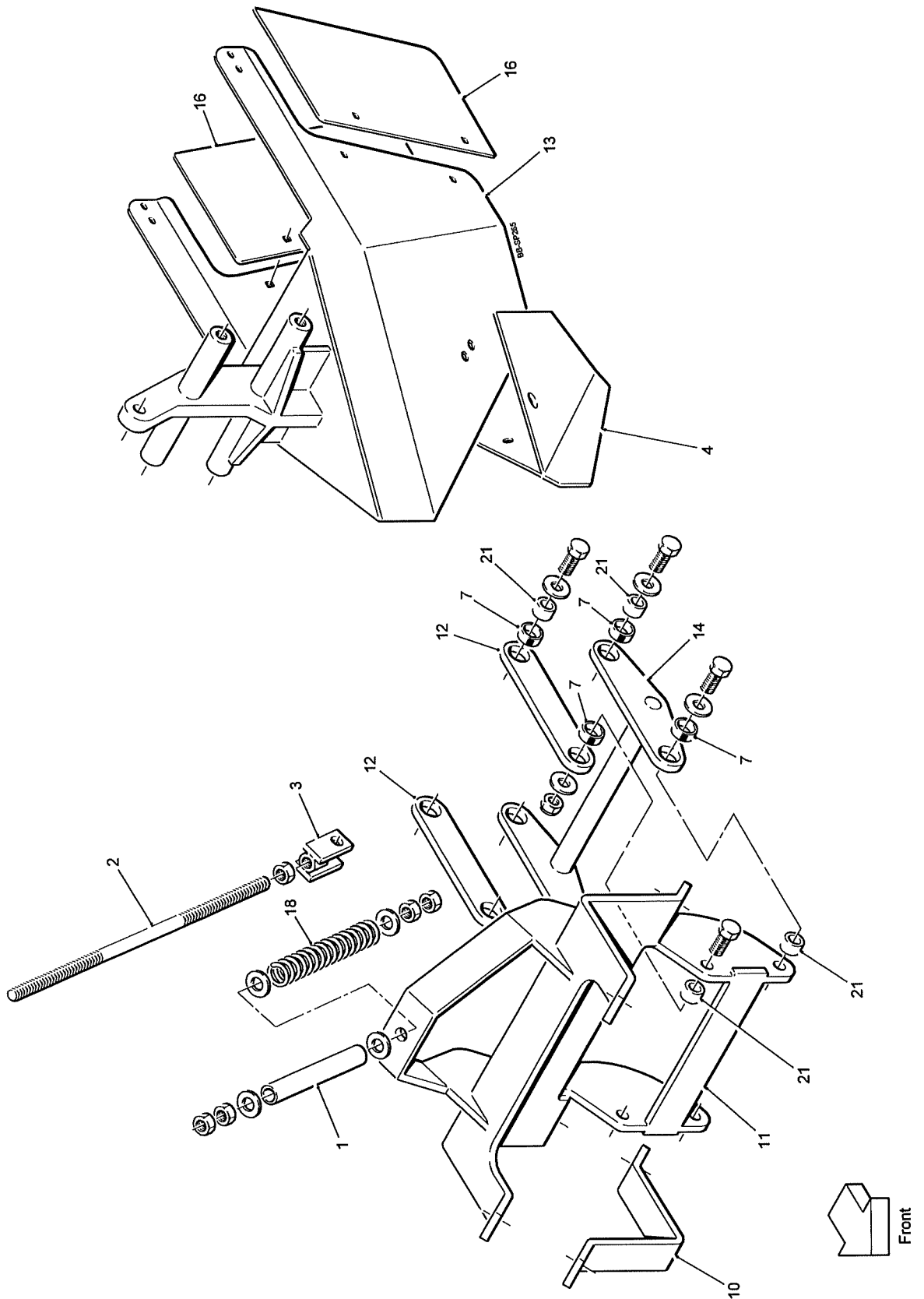
SR SERIES PLANTER SPARE PARTS

2.6b

Tunnel Assemblies

Item	Part No.	Description	Qty.	Remarks
1	65534	Planting Tunnel Complete	4	
2				
3	65539	Cover Plate	4	
4	72114	Infill Panel	2	
5	72115	Infill Panel	2	
6	72116	Infill Panel	2	
7	72117	Infill Panel	2	
8	65682	Rubber Deflector	8	
9				
10	72133	Infill Panel	4	
11	72134	Infill Panel	4	
12				
13				
14	65727	Photo Electric Sensor	8	
15	JK63720/2	Sensor Cable Straight (5m)	4	
16				
17	RFB9941350	9T Sprocket Complete (top)	1	
18	RFB9941351	15T Sprocket Complete	1	
19				
20	RFB9941354	Cups & Chain Complete	1	
21	RFB9941355	Cup (left)	a/r	
22	RFB9941356	Cup (right)	a/r	
23				
24	RFB9941360	9T Sprocket (bottom)	1	
25				
26	RFB629942148	Set of 30 Locking Plugs Short	2	RFB629941749 plug x1
27	RFB629942149	Set of 30 Locking Plugs Long	2	RFB629941794 plug x1
28				
29	RFB9941914	Flange Bearing Complete	2	
30	RFB9941923	Nylon Middle Rail	1	
31	RFB9941999	Agitator Complete	1	
32	-	Nylon Guide LH	1	
33	-	Nylon Guide RH	1	
34	-	Nylon Plate	1	
35	RFB9941999/1	Nylon Agitator Roller Only	1	
36				
37				
38	RFB629941680	Set of 30 Plastic Insert Cups (blue)	4	For seed up to 35mm
39	RFB629941681	Set of 30 Plastic Insert Cups (red)	4	For seed 35mm to 55mm
40	RFB629941359	Set of 30 Plastic Insert Cups (grey)	4	For seed above 55mm
41				
42	32037/4	Sensor Cable 90° (10m)	4	
43	43098	Mounting Bracket	4	
44				
45	65126	Knob	8	
46	65781	Carrier Bracket	4	
47	43097	Support Bar	4	
48	65783	Access Panel	4	
49	65891	Sensor Mounting Plate	4	

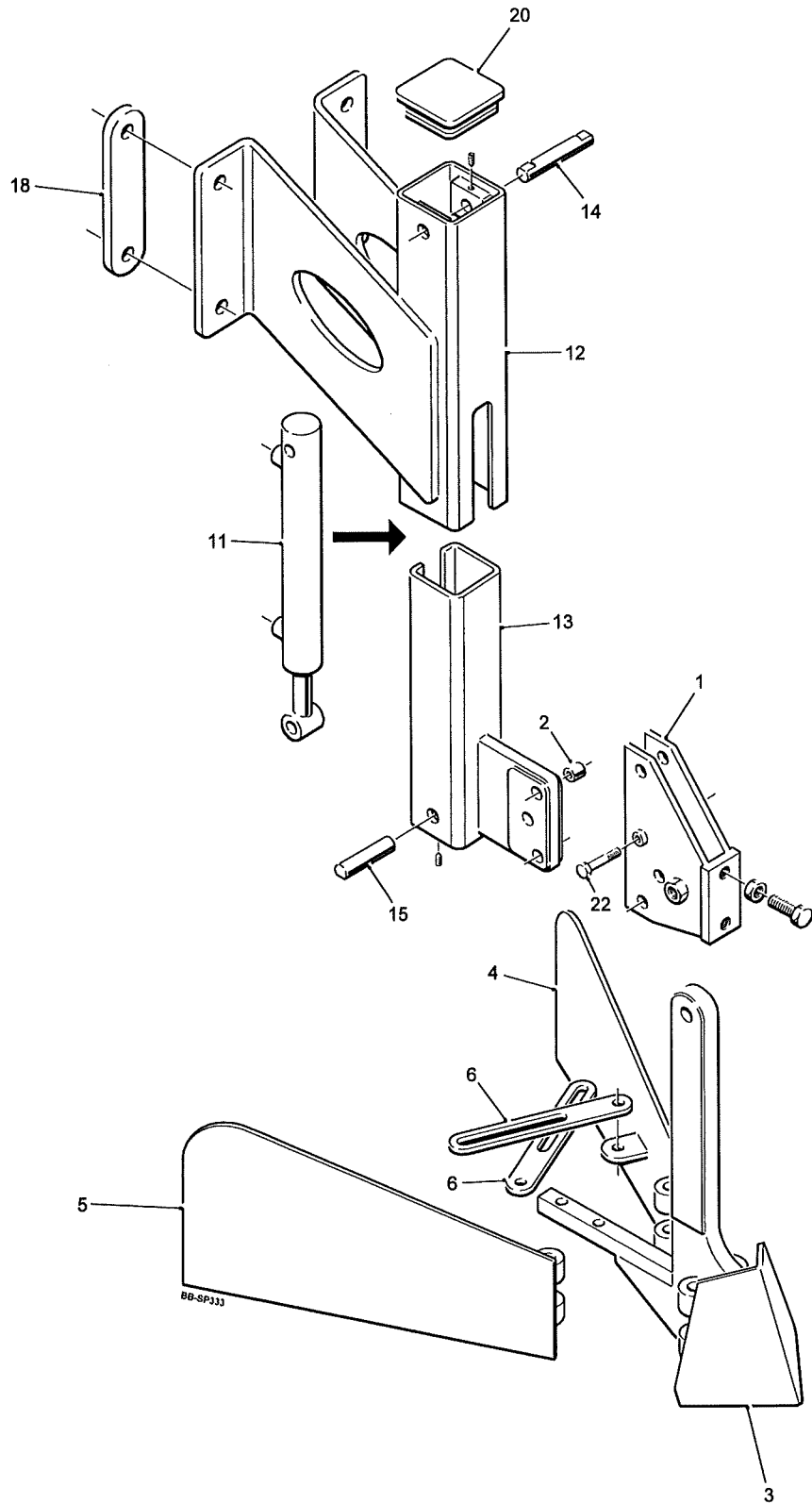
Opener Assemblies
Assy No 65596



2.7a**SR SERIES PLANTER SPARE PARTS****Opener Assemblies****Assy No 65596**

Item	Part No.	Description	Qty.	Remarks
1	43286	Spacer Tube	4	
2	43519	Depth Rod	4	
3	43520	Clevis	4	
4	43729	Wear Point (stainless steel	4	
5				
6				
7	54114	Bush	32	
8				
9				
10	65031	Clamp Plate	8	
11	65556	Opener Mounting Bracket	4	
12	65557	Link Plate	8	
13	65558	Opener (stainless steel)	4	
14	65595	Lower Link	4	
15				
16	65769B	150mm Extension Plate	8	
17				
18	PS165	Compression Spring	4	
19				
20				
21	SS025017/017	Steel Spacer	32	

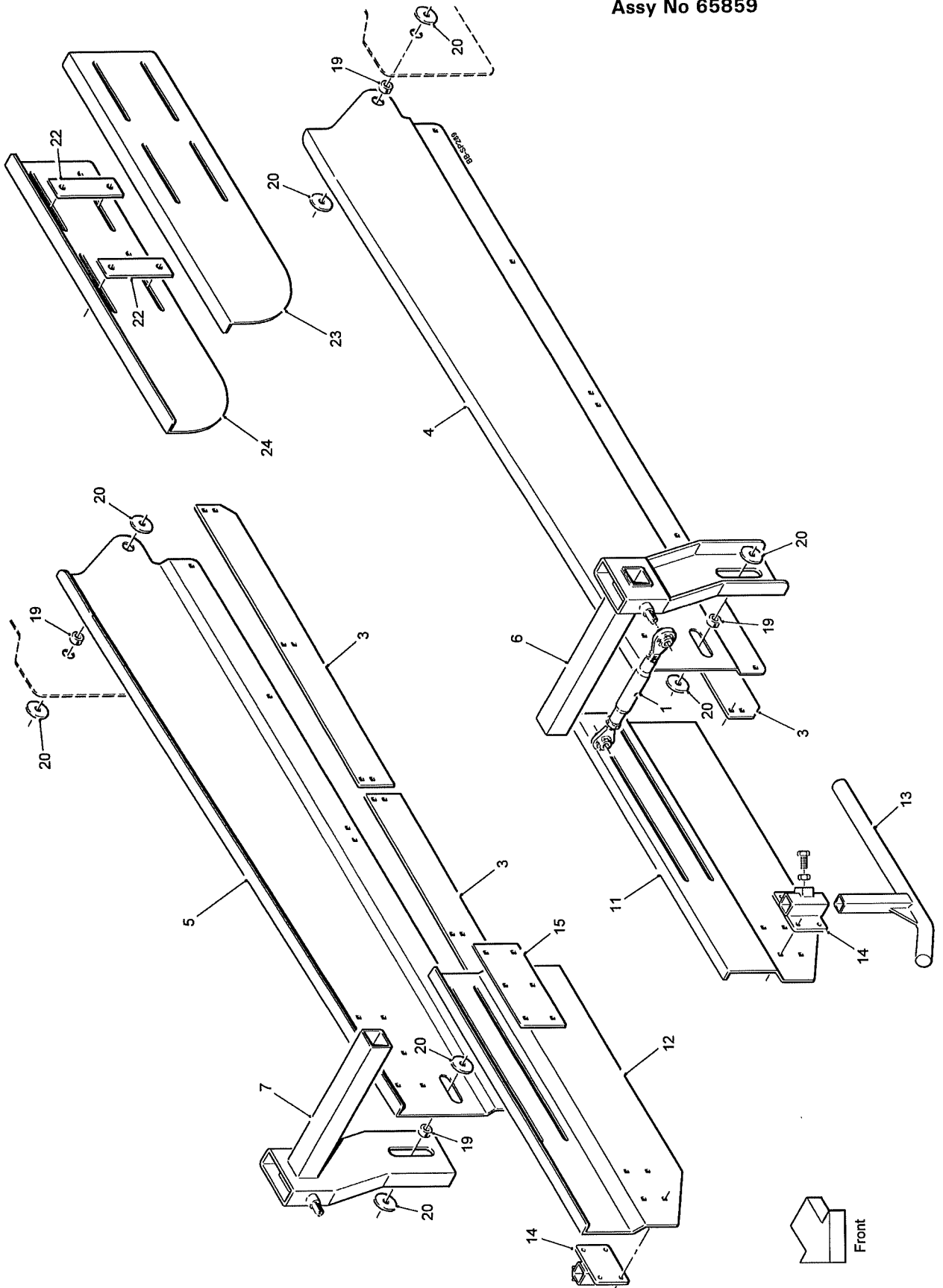
Front Levelling Ploughs
Assy No 72053



2.9a**SR SERIES PLANTER SPARE PARTS****Front Levelling Ploughs****Assy No 72053**

Item	Part No.	Description	Qty.	Remarks
1	43285	Socket Bracket	2	
2	43357	Shear Bolt Sleeve	2	
3	43808A	Ridger Body	2	
4	43809A	Wing LH	2	
5	43810A	Wing RH	2	
6	43829	Link	4	
7				
8				
9				
10				
11	72052	Hydraulic Ram	2	
12	72054	Plough Outer Body	2	
13	72055	Plough Inner Body	2	
14	72056	Ram Pin Top	2	
15	72057	Ram Pin Bottom	2	
16				
17				
18	DWS134	Clamp Plate	4	
19				
20	REK217/1	Plastic Insert (90x90)	2	
21				
22	22012008/070	M8x70 Bolt (grade 8.8)	2	

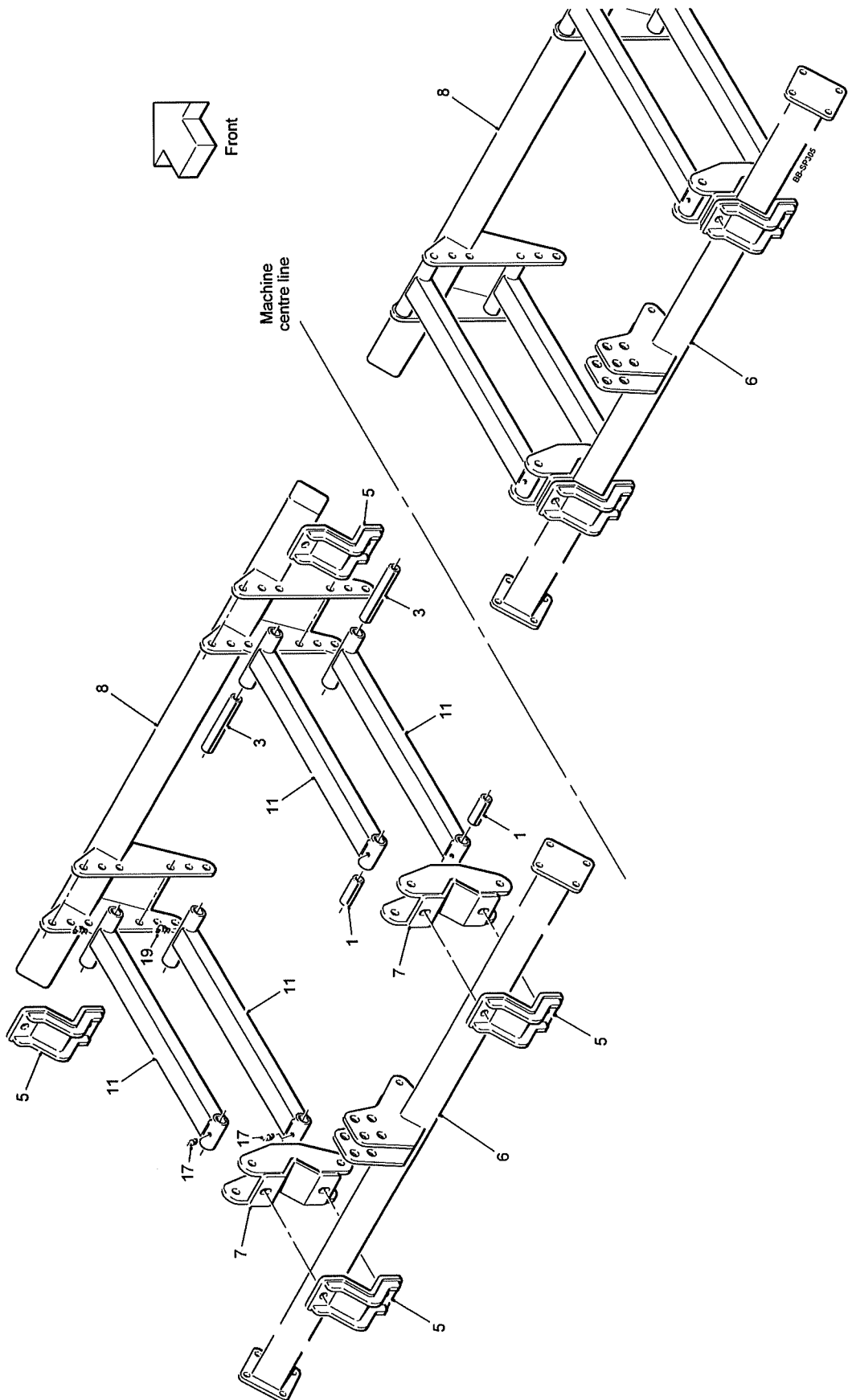
Soil Retention Panels
Assy No 65859



2.10a**SR SERIES PLANTER SPARE PARTS****Soil Retention Panels****Assy No 65859**

Item	Part No.	Description	Qty.	Remarks
1	54327	Top Link Assembly	2	
2				
3	65624	Wear Strip	4	
4	65723	Soil Retention Panel LH	1	
5	65724	Soil Retention Panel RH	1	
6	65725	Panel Mounting LH	1	
7	65726	Panel Mounting RH	1	
8				
9				
10				
11	72028	Panel Extension LH	1	
12	72029	Panel Extension RH	1	
13	72030	Skid	2	
14	72031	Skid Clamp	2	
15	72032	Clamp Plate	2	
16				
17				
18				
19	SS030017/015	Steel Spacer	4	
20	SS060017/005	Steel Spacer	8	
21				
22	72177	Clamp Plate	4	
23	72178	Centre Soil Retention Panel LH	1	
24	72179	Centre Soil Retention Panel RH	1	

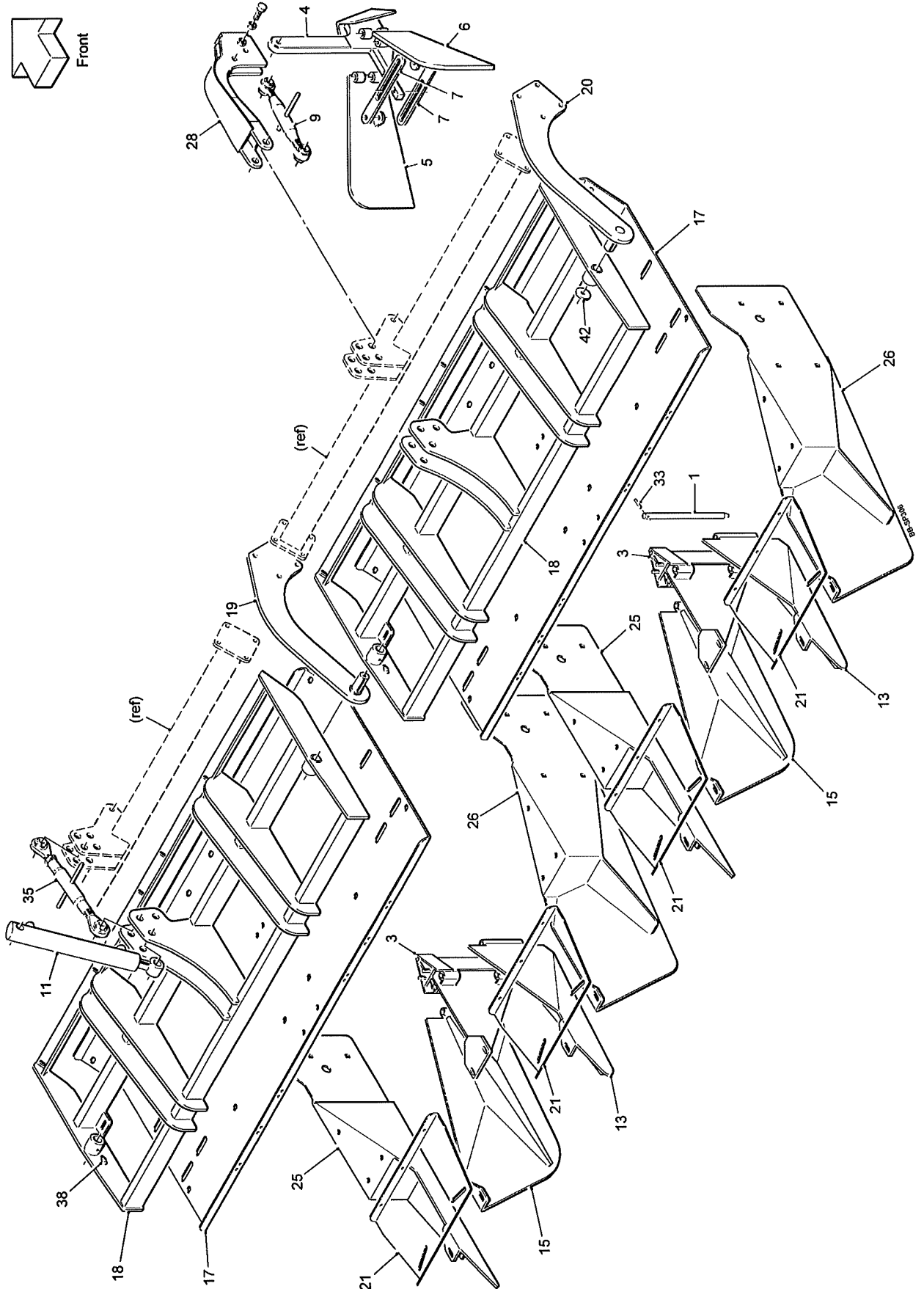
Parallel Linkage Tool Bar
Assy No 65858



2.12a**SR SERIES PLANTER SPARE PARTS****Parallel Linkage Tool Bar****Assy No 65858**

Item	Part No.	Description	Qty.	Remarks
1	52586	Pivot Sleeve (short)	8	
2				
3	54328	Pivot Sleeve (long)	8	
4				
5	65552	Clamp	8	
6	65553A	Tool Bar	2	
7	65657	Clamp Bracket	4	
8	65661A	Mounting Beam	2	
9				
10				
11	54307	Parallel Linkage Arm	8	
12				
13				
14				
15				
16				
17	RPC648.081250	M8 Grease Nipple Straight	8	
18				
19	RPC648.081252	M8 Grease Nipple 90°	8	

Adjustable Moulding Board
Assy No 65857



2.13a

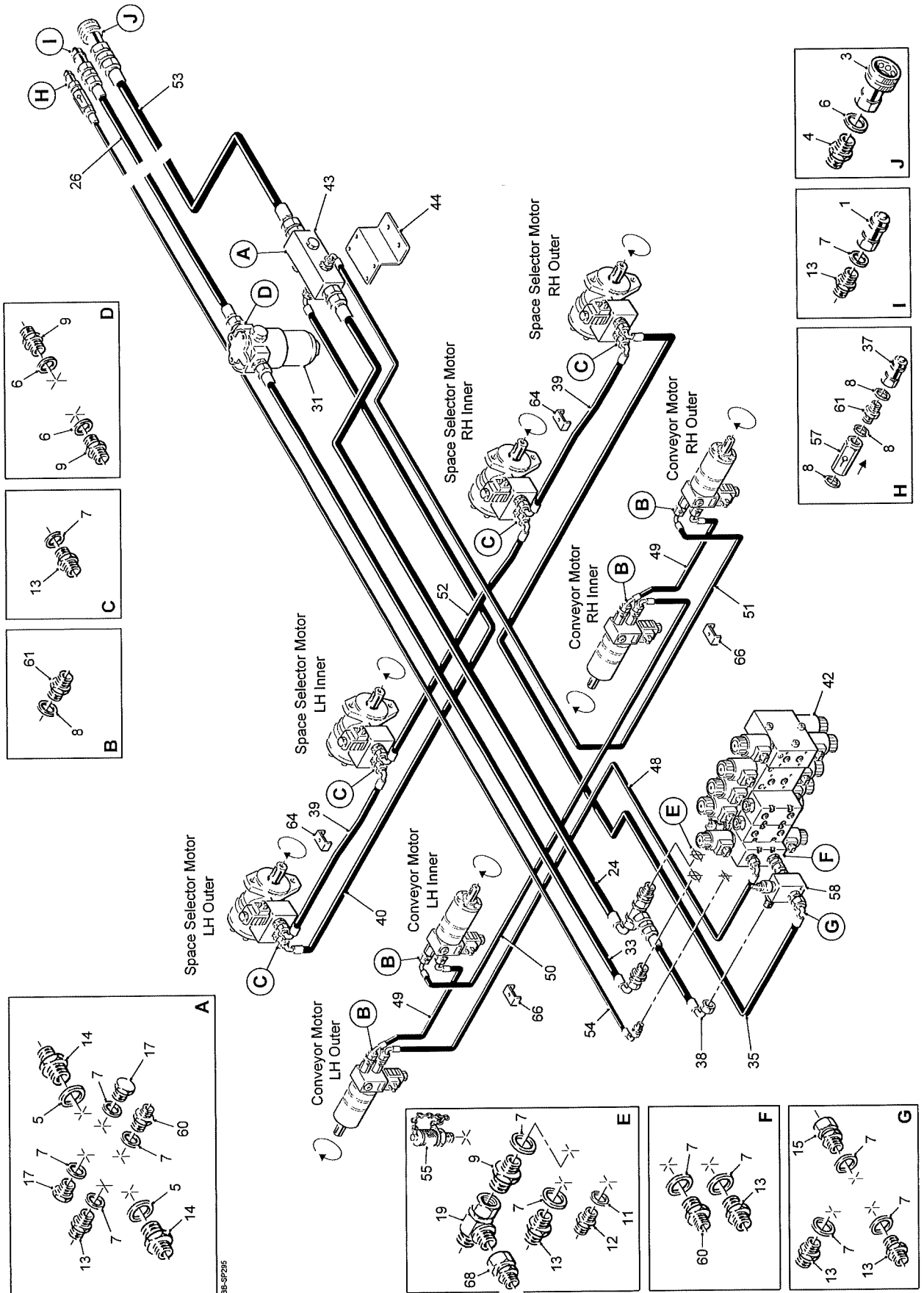
SR SERIES PLANTER SPARE PARTS

Adjustable Moulding Board

Assy No 65857

Item	Part No.	Description	Qty.	Remarks
1	43650	Pivot Pin	4	
2				
3	43766A	Divider Bracket Outer	2	
4	43808A	Ridger Body	2	
5	43809A	Ridger Wing LH	2	
6	43810A	Ridger Wing RH	2	
7	43829	Link	4	
8				
9	54327	Top Link Assembly	2	
10				
11	65608	Hydraulic Ram	2	
12				
13	65645A	Moulding Board LH	2	
14				
15	65646A	Moulding Board RH	2	
16				
17	65707	Stainless Steel Top Plate	2	
18	65708	Top Frame	2	
19	65709	Pivot Arm LH	2	
20	65710	Pivot Arm RH	2	
21	65711	Top Plate Extension	4	
22				
23				
24				
25	65719	Moulding Board LH (outer)	2	
26	65720	Moulding Board RH (outer)	2	
27				
28	65801	Plough Arm	2	
29				
30				
31				
32				
33	22067006/026	Ø6x26 Roll Pin	4	
34				
35	KA20533	Top Link Assembly	2	
36				
37				
38	RPC648.081250	M8 Grease Nipple Straight	4	
39				
40				
41				
42	SS045013/006	Steel Spacer	4	

Hydraulics (space selector & conveyors) Part of Assy No 65867



2.17a

SR SERIES PLANTER SPARE PARTS

Hydraulics (space selector & conveyors)

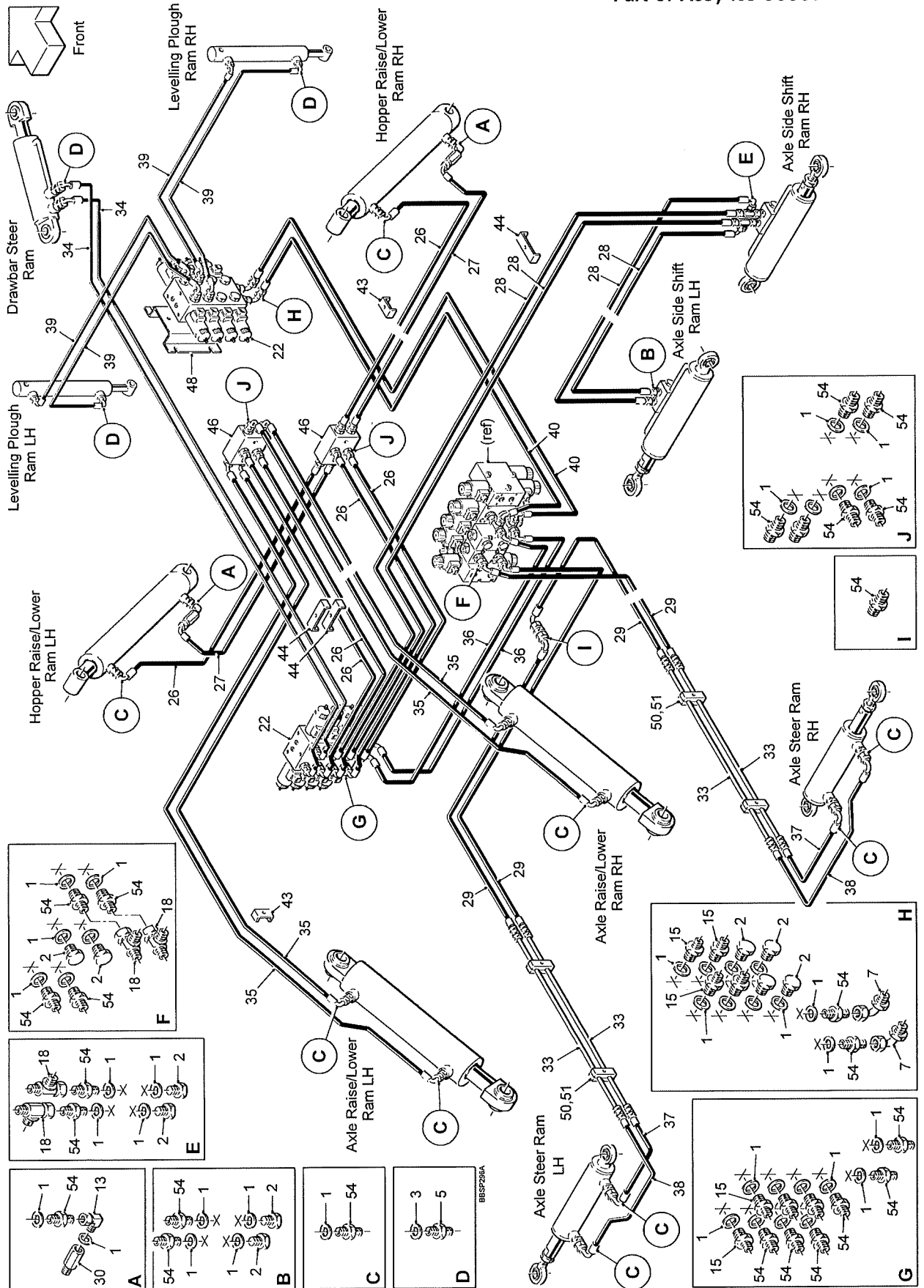
Part of Assy No 65867

Item	Part No.	Description	Qty.	Remarks
1	10140	1/2"BSP Male Probe	1	
2				
3	11108A	3/4"BSP Female Probe	1	
4	11115	3/4"BSP M M Adaptor	1	
5	11122	1"BSP Dowty Seal	2	
6	11123	3/4"BSP Dowty Seal	3	
7	11124	1/2"BSP Dowty Seal	20	
8	11125	3/8"BSP Dowty Seal	11	
9	11295	3/4"BSPx1/2"BSP M M Adaptor	3	
10				
11	11337	1/4"BSP Dowty Seal	1	
12	12316	1/4"BSP M M Adaptor	1	
13	12315	1/2"BSP M M Adaptor	12	
14	12560	1"BSPx3/4"BSP M M Adaptor	2	
15	12602	1/2"BSP M F Swivel Adaptor	1	
16				
17	24383	1/2"BSP Blanking Plug	2	
18				
19	32512	3/4"BSP F M M Tee	1	
20				
21				
22				
23				
24	41273	3/4"Hose Assembly (2800mm)	1	
25				
26	42915	1/2"Hose Assembly (3600mm)	1	
27				
28				
29				
30				
31	46859	Pressure Filter Complete	1	
32				
33	51552	1/2"Hose Assembly (3150mm)	1	
34				
35	55149	1/2"Hose Assembly (3500mm)	1	
36				
37	60166	3/8"BSP Male Probe	1	
38	60181	1/2"Hose Assembly (410mm)	1	
39	60720	1/2"Hose Assembly (1250mm)	2	
40	60721	1/2"Hose Assembly (2850mm)	1	
41				
42	65873W	Hydraulic Valve Bank(WANDFLUH)	1	
43	65882A	Return Manifold (6 port)	1	Was 65882 (10 port)
44	65883	Manifold Mounting Bracket	1	
45				
46				
47				
48	71060	3/8"Hose Assembly (3600mm)	1	
49	71061	3/8"Hose Assembly (1150mm)	2	
50	71062	3/8"Hose Assembly (1850mm)	1	
51	71063	3/8"Hose Assembly (2750mm)	1	
52	71064	1/2"Hose Assembly (1700mm)	1	
53	71065	3/4"Hose Assembly (3900mm)	1	
54	71066	1/4"Hose Assembly (6800mm)	1	
55	71132	1/4"BSP Gauge Port	1	

SR SERIES PLANTER SPARE PARTS**2.17b****Hydraulics (space selector & conveyors)****Part of Assy No 65867**

Item	Part No.	Description	Qty.	Remarks
56				
57	72240	3/8"BSP Inline Check Valve	1	
58	72241	1/2"BSP Pressure Relief Valve	1	
59				
60	UC25	1/2"BSPx3/8"BSP M M Adaptor	2	
61	UC31A	3/8"BSP M M Adaptor	9	
62				
63				
64	59295	Pipe Clamp (2x1/2")	4	
65				
66	66176	Pipe Clamp (2x3/8")	4	
67				
68	TBMW659	1/2"BSPMx3/4"BSPF Swivel Adaptor	1	

Hydraulics (ram circuits) Part of Assy No 65867



2.18a

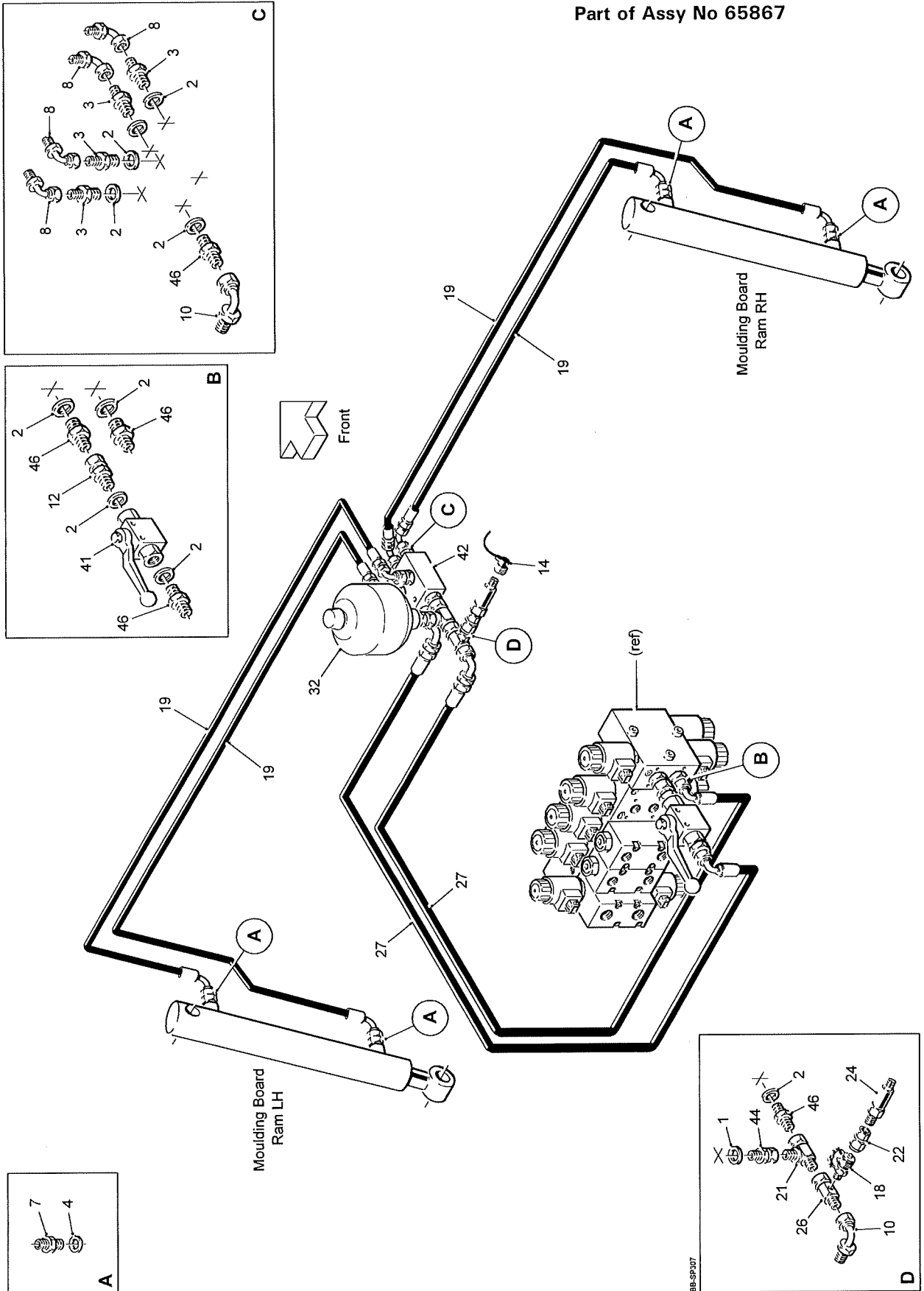
SR SERIES PLANTER SPARE PARTS

Hydraulics (ram circuits)

Part of Assy No 65867

Item	Part No.	Description	Qty.	Remarks
1	11125	3/8"BSP Dowty Seal	58	
2	11293	3/8"BSP Blanking Plug	10	
3	11337	1/4"BSP Dowty Seal	6	
4				
5	12316	1/4"BSP M M Adaptor	6	
6				
7	13189	3/8"BSP M F Swept 90° Adaptor	2	
8				
9				
10				
11				
12				
13	42343	3/8"BSP M F Compact 90° Adaptor	2	
14				
15	11336	3/8"x1/4"BSP M M Adaptor	6	
16				
17				
18	46939	3/8"BSP FMM Tee	4	
19				
20				
21				
22	70330	Slave Valve (WANDFLUH)	2	
23				
24				
25				
26	60243	3/8"Hose Assembly (1600mm)	6	
27	60340	3/8"Hose Assembly (1200mm)	2	
28	60564	3/8"Hose Assembly (1800mm)	4	
29	60569	3/8"Hose Assembly (1900mm)	4	
30	60742	3/8"BSP Hose Burst Valve	2	
31				
32				
33	71037	Ø12 Steel Pipe Assembly	4	
34	71051	1/4"Hose Assembly (3750mm)	2	
35	71056	3/8"Hose Assembly (2250mm)	4	
36	71057	3/8"Hose Assembly (1150mm)	2	
37	71058	3/8"Hose Assembly (550mm)	2	
38	71059	3/8"Hose Assembly (650mm)	2	
39	71039	1/4"Hose Assembly (2000mm)	4	
40	-	3/8"Hose Assembly (3100mm)	2	
41				
42				
43	66176	Pipe Clamp (2x3/8")	4	
44	-	Pipe Clamp (4x3/8")	6	
45				
46	DW801992	3/8"BSP Junction Block	2	
47				
48	72058	Valve Bracket	1	
49				
50	RPS337	Hose Clamp (12-12)	4 pairs	
51	RPS337/1	Clamp Plate	4	
52				
53				
54	UC31A	3/8"BSP M M Adaptor	29	

Hydraulics (moulding board) Part of Assy No 65867

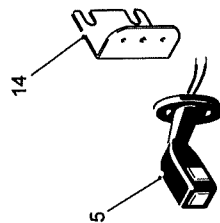
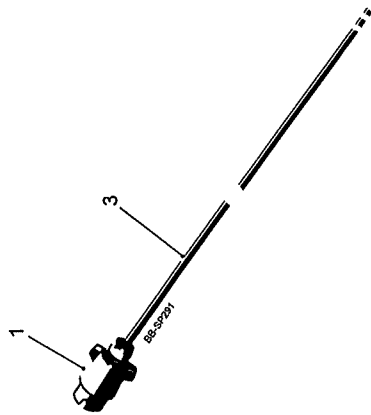
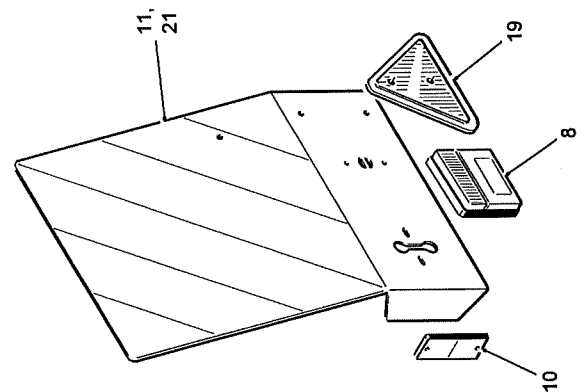
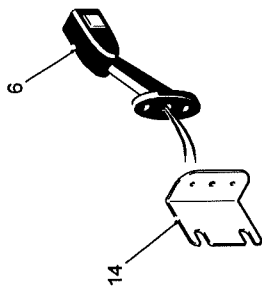
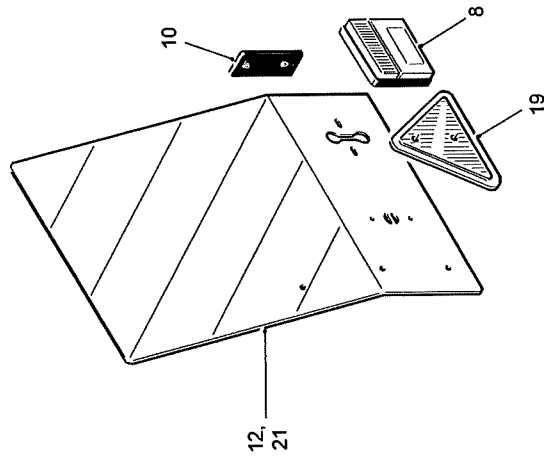


BB-SP107

2.19a**SR SERIES PLANTER SPARE PARTS****Hydraulics (moulding board)****Part of Assy No 65867**

Item	Part No.	Description	Qty.	Remarks
1	11124	1/2"BSP Dowty Seal	2	
2	11125	3/8"BSP Dowty Seal	10	
3	11336	1/4"BSPx3/8"BSP M M Adaptor	4	
4	11337	1/4"BSP Dowty Seal	4	
5				
6				
7	12316	1/4"BSP M M Adaptor	4	
8	12378	1/4"BSP M F Swept 90° Adaptor	4	
9				
10	13189	3/8"BSP M F Swept 90° Adaptor	2	
11				
12	10128	3/8"BSP M F Swivel Adaptor	1	
13				
14	32037/2	Sensor Cable 90° (5m)	1	
15				
16				
17				
18	42305	Gauge Port	1	
19	42327	1/4"Hose Assembly (1800mm)	4	
20				
21	46939	3/8"BSP F M M Tee	1	
22	46960	Adaptor	1	
23				
24	51270	Pressure Transmitter	1	
25				
26	60161B	3/8"BSP M F c/w 1/8"BSP Port	1	
27	60169	3/8"Hose Assembly (1450mm)	2	
28				
29				
30				
31				
32	65810	Accumulator	1	
33				
34				
35				
36				
37				
38				
39				
40				
41	DW202046270	3/8"BSP Shut-Off Valve	1	
42	DW801992	3/8"BSP Junction Block	1	
43				
44	KA17325	3/8"BSPFx1/2"BSPM Swivel Adaptor	2	
45				
46	UC31A	3/8"BSP M M Adaptor	5	

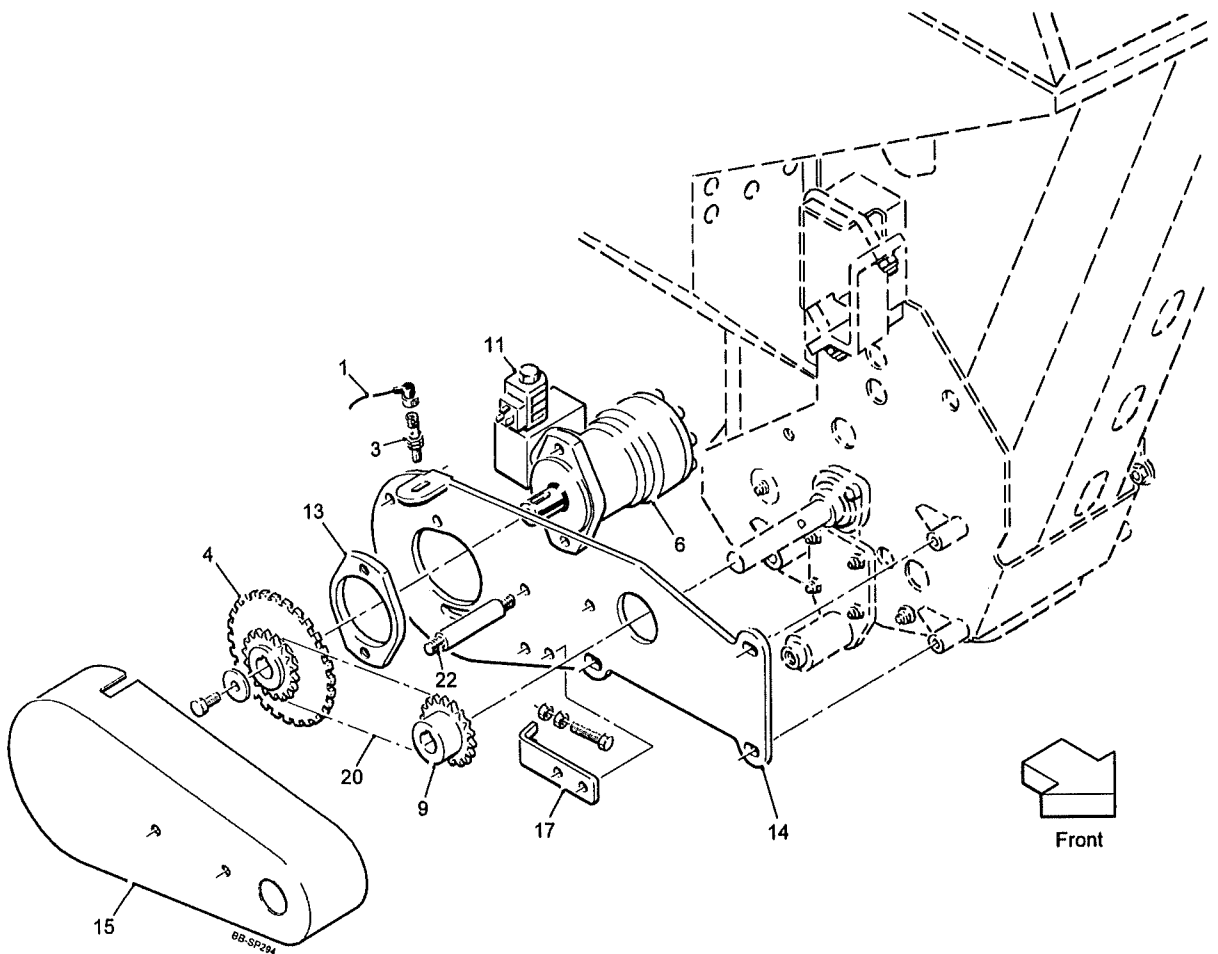
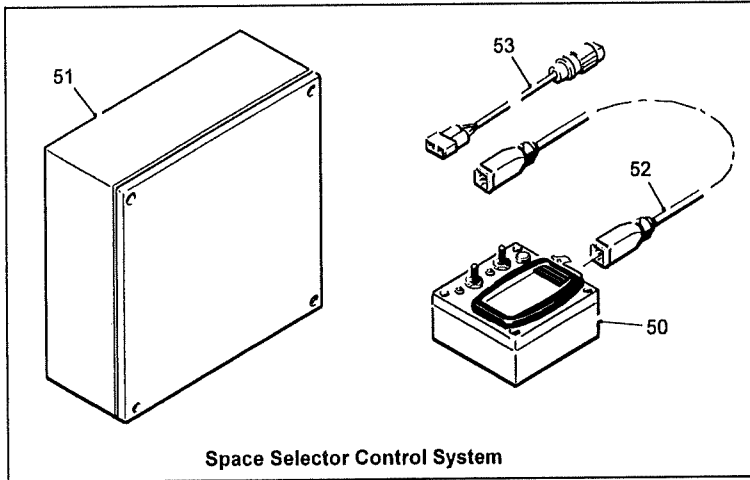
Road Lights
Assy No 65866



2.20a**SR SERIES PLANTER SPARE PARTS****Road Lights****Assy No 65866**

Item	Part No.	Description	Qty.	Remarks
1	10134	7-Pin Plug	1	
2				
3	11369	7-Core Cable	a/r	
4				
5	50111	Front Marker Light LH	1	
6	50112	Front Marker Light RH	1	
7				
8	62217A	LED Rear Light	2	
9				
10	65704	Amber Reflector	2	
11	65877	Light Board LH	1	
12	65878	Light Board RH	1	
13				
14	72000	Marker Light Bracket	2	
15				
16				
17				
18				
19	RPE272.307748	Reflector Triangle	2	
20				
21	TR496	Red/White Stripe Reflector Decal	2	

Automatic Space Selector



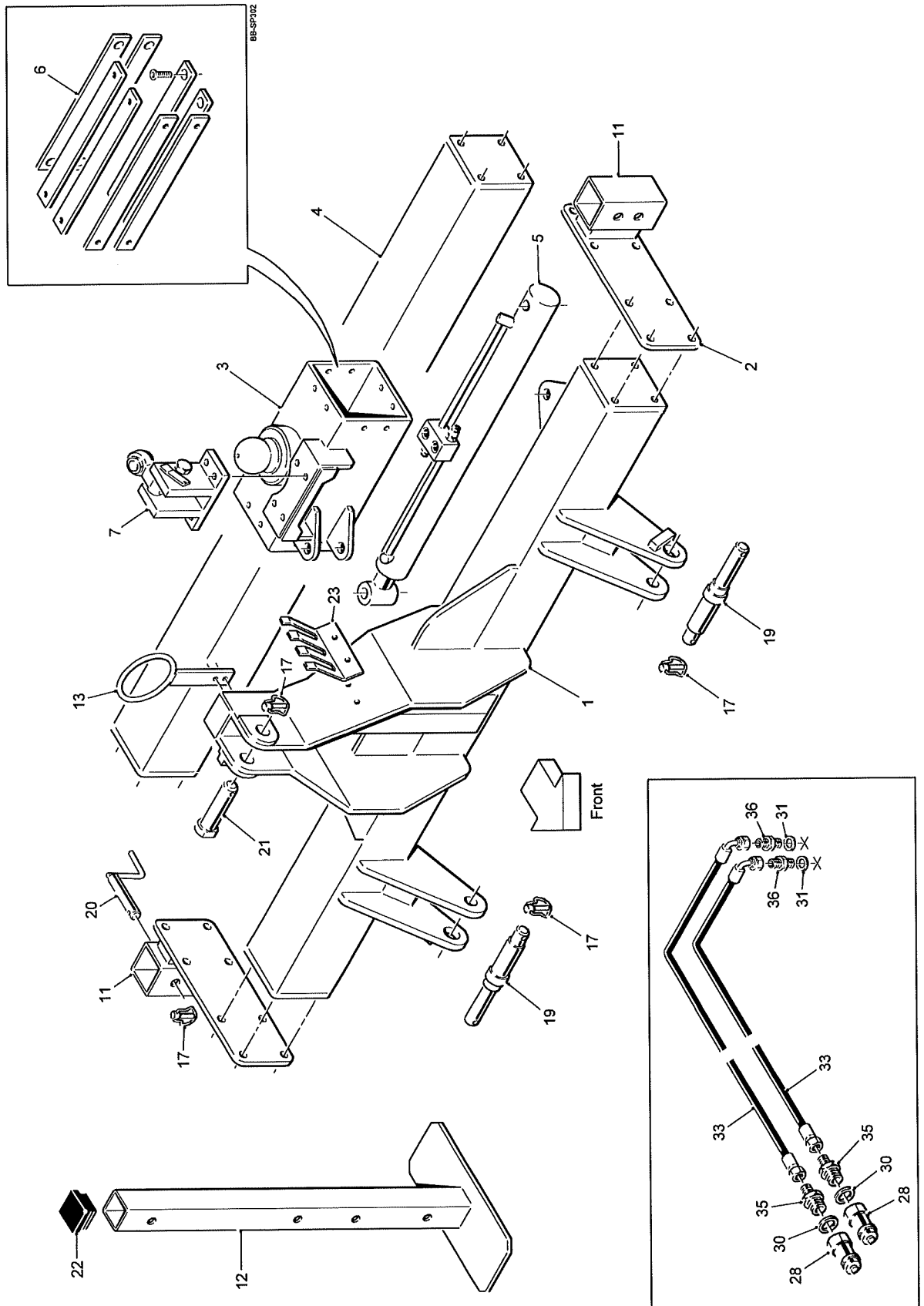
2.22a

SR SERIES PLANTER SPARE PARTS

Automatic Space Selector

Item	Part No.	Description	Qty.	Remarks
1	32037/2	Sensor Cable 90° (5m)	4	
2				
3	36124	Proximity Sensor	4	
4	36131A	Sensor Wheel & Sprocket	4	
5				
6	46855	Hydraulic Motor (200cc)	4	
7				
8				
9	43120	18T 1/2"Pitch Sprocket	4	
10				
11	52406	Motor Control Valve	4	
12				
13	65134	Motor Clamp Plate	4	
14	65559	Motor Mounting	4	
15	65560	Chain Guard	4	
16				
17	72112	Motor Adjuster	4	
18				
19				
20	PH526/62	1/2"Pitch Drive Chain	4	
21				
22	SP279M	Guard Bolt	8	
	-	Space Selector Control System Consists Of:		
50	65458	Touch Screen Control Box	1	
51	-	Distribution Box	1	
52	-	Link Loom	1	
53	65461	Power Lead	1	

Lane Adjuster Assembly
Assy No 65860



2.24a

SR SERIES PLANTER SPARE PARTS

Lane Adjuster Assembly

Assy No 65860

Item	Part No.	Description	Qty.	Remarks
1	65803	Lane Adjust 'A' Frame	1	
2				
3	65806	Sliding Hitch	1	
4	65807	Slide Beam	1	
5	65808A	Hydraulic Ram	1	
6	65815	Nylon Wear Strip	8	
7	65816B	Ball Coupling Latch Assembly	1	
8				
9				
10				
11	72003	Stand Bracket	2	
12	72009	Stand	2	
13	72010	Hose Support Ring	1	
14				
15			2	
16				
17	DW50934	Clip Pin	5	
18				
19	DWS535	Bottom Pin (CAT 2/3)	2	
20	DWS597	Ø20 Stand Pin	2	
21	DWS599	Top Pin (CAT 3)	1	
22	DWS871	Plastic Insert (70x70)	2	
23	DWS1380B	Hose Carrier	1	Supersedes DWS1380A
		Hydraulic Components Consist Of:		
28	10140	1/2"BSP Male Probe	2	
29				
30	11124	1/2"BSP Dowty Seal	2	
31	11125	3/8"BSP Dowty Seal	2	
32				
33	60247	3/8"Hose Assembly (2600mm)	2	
34				
35	UC25	3/8"BSPx1/2"BSP M M Adaptor	2	
36	UC31A	3/8"BSP M M Adaptor	2	