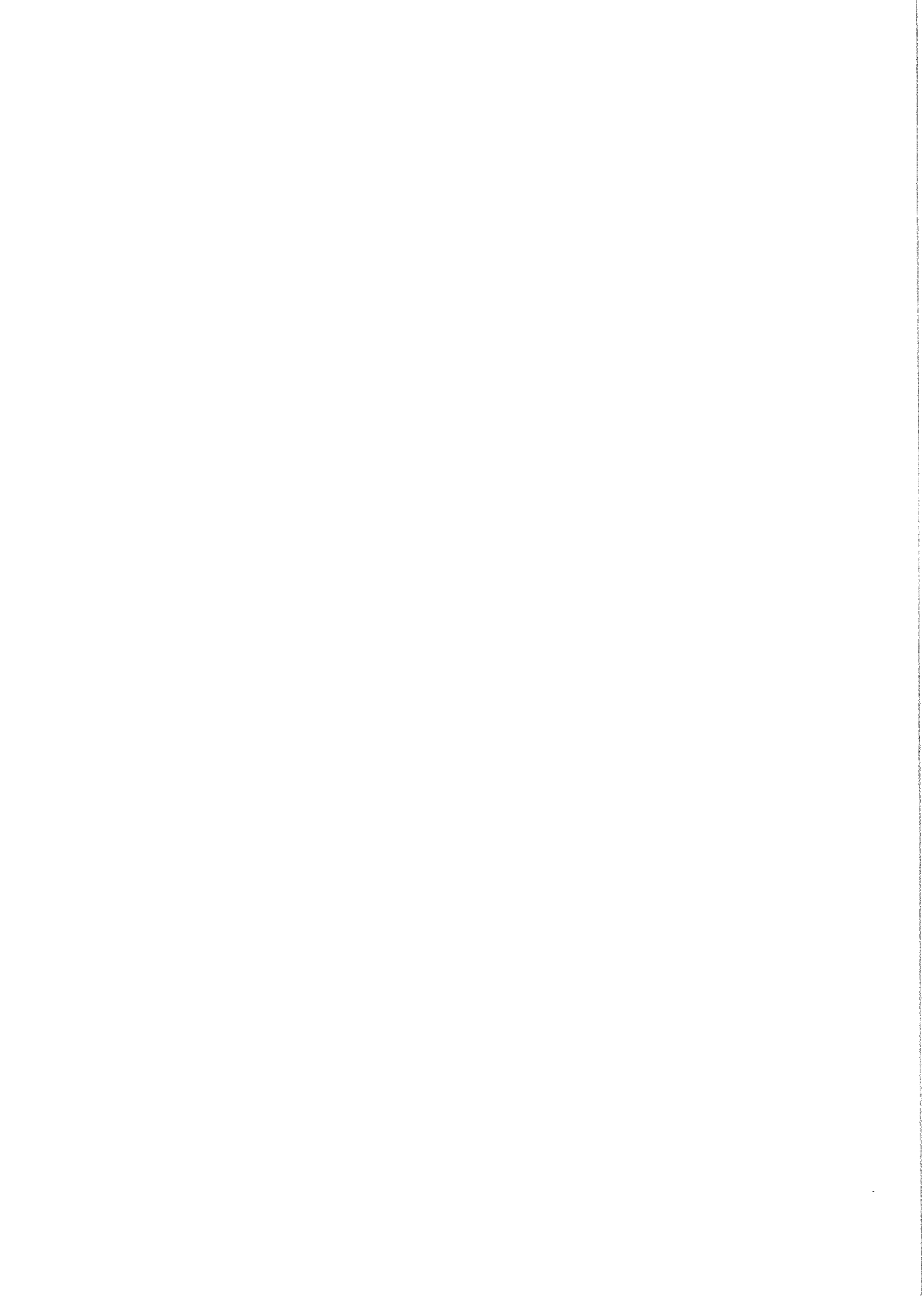


CONTENTS

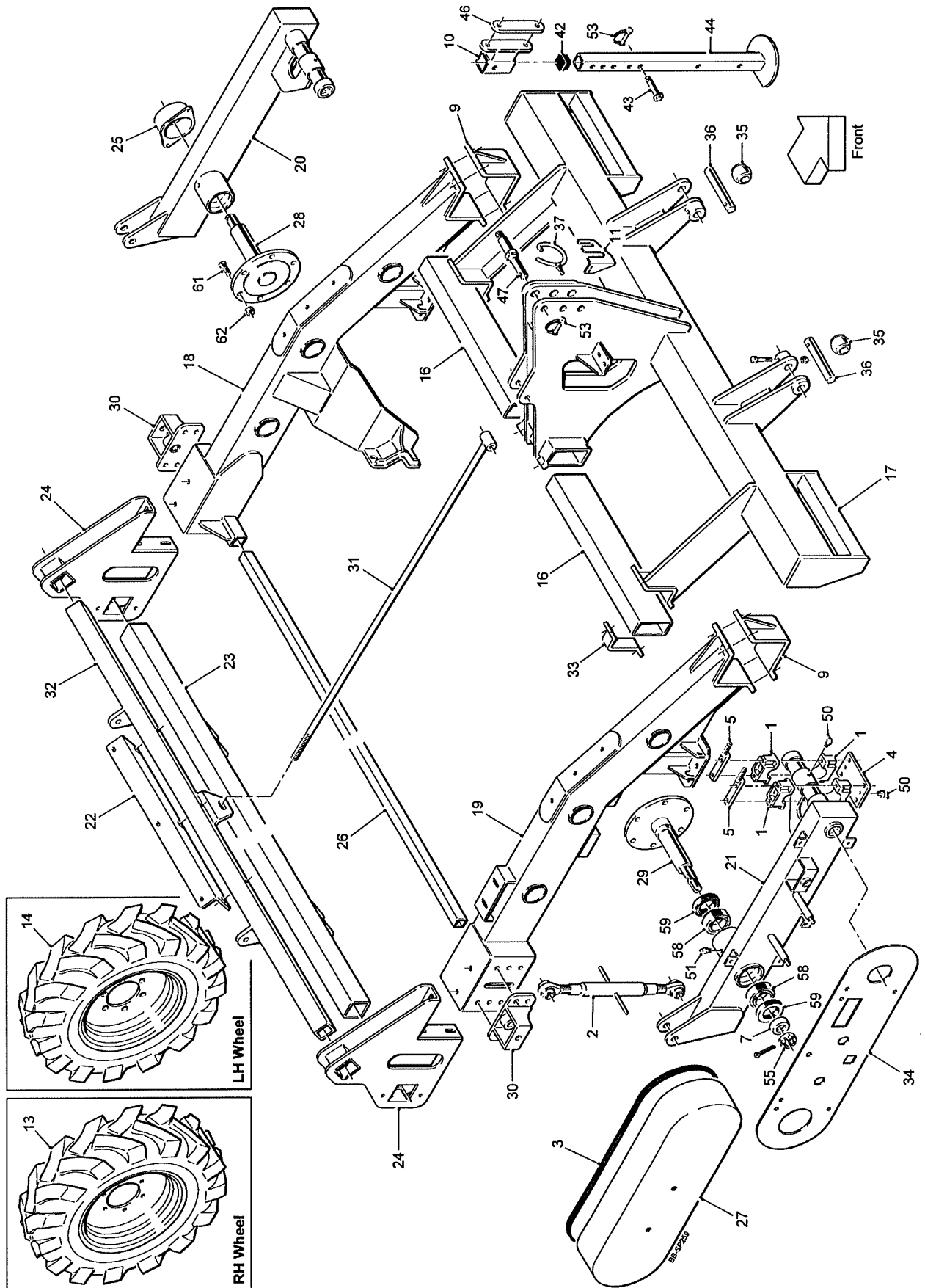
SR200 PLANTER SPARE PARTS

Main Frame and Wheels	2.1
Hopper Assembly	2.2
LH & RH Conveyors	2.3
LH & RH Tunnels	2.4
2-Row Openers	2.5
Closing Discs	2.8
Soil Retention Panels (for moulding board)	2.10
Soil Retention Panels (for rear ridgers)	2.11
Parallel Linkage Tool Bar (for moulding board)	2.12
Adjustable Moulding Board	2.13
Hydraulic Assembly	2.17
Road Lights	2.20
Automatic Space Selector	2.22
Manual Space Selector	2.23
Rear Hydraulic Depth Control	2.24
Depth Indicator	2.25
LH Steerable Wheel	2.26
Hopper Extension Kit	2.27
Rear Ridgers & Parallel Linkage	2.28
Rhizome Ridgers & Parallel Linkage	2.29

Note: When using the following pages to order replacement parts, please quote the full serial number of your machine.



Main Frame & Wheels



2.1a

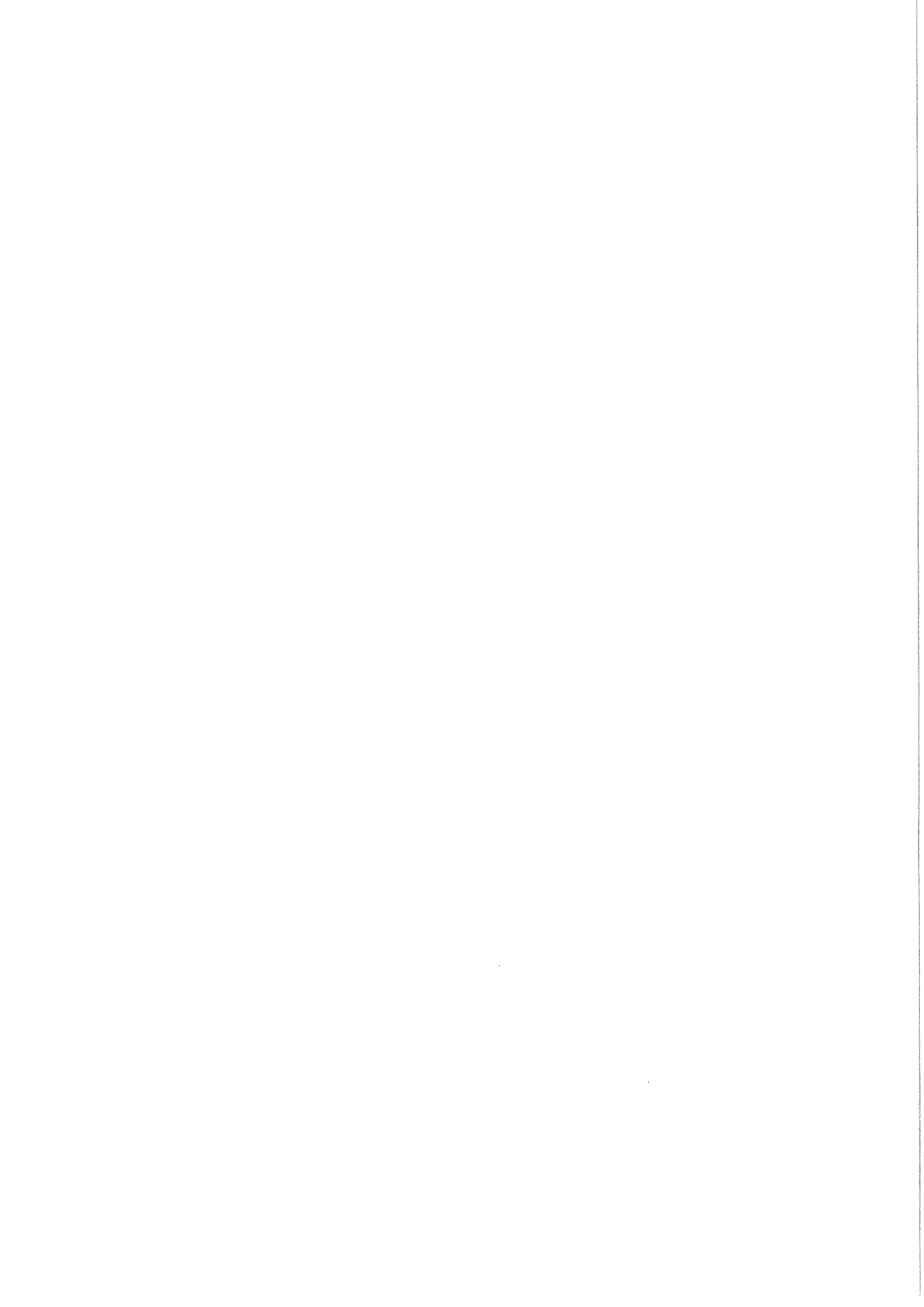
SR SERIES PLANTER SPARE PARTS

Main Frame & Wheels

Item	Part No.	Description	Qty.	Remarks
1	10415	Nylon Bearing Block	8	
2	43048	Top Link Complete	2	
3	43227/2100	Edging Strip	1	
4	43251	Clamp Plate	2	
5	43252	Adjuster	4	
6				
7	52021	Oil Seal Spacer	2	
8				
9	65007	Clamp	2	
10	65176	Stand Bracket	2	
11	65177	Hose Anchor Plate	1	
12				
13	65179LH	7.5x20 Wheel Assembly RH	1	
14	65179RH	7.5x20 Wheel Assembly LH	1	
15				
16	65536	Tunnel Beam	2	
17	65540	Main Frame	1	
18	65541	Side Frame LH	1	
19	65542	Side Frame RH	1	
20	65543	Wheel Leg LH	1	
21	65544	Wheel Leg RH	1	
22	65546	Hopper Support Angle	1	
23	65547	Rear Cross Beam	1	
24	65548	Hopper Support Bracket	2	
25	65549	Hub Cap	1	
26	65555	Conveyor Support Beam	1	
27	65561	Drive Guard	1	
28	65573	Axle LH	1	
29	65574	Axle RH	1	
30	65581	Ram Mounting	2	
31	65583	Tie Rod	1	
32	65584	Support Beam	1	
33	65585	Clamp	2	
34	65591	Backplate	1	
35	65642	Lower Link Ball (CAT2)	2	
36	65680	Bottom Pin	2	
37	65772	Hose Loop	1	
38				
39				
40				
41				
42	DW208044090	Plastic Insert (2"x2")	2	
43	DW650247	Stand Pin	2	
44	DW801201	Stand	2	
45				
46	DWS134	Clamp Plate	2	
47	DWS414	Top Link Pin (CAT2 & 3)	1	
48				
49				
50	GS411	1/8"BSP Grease Nipple 45°	4	
51	GS412	1/8"BSP Grease Nipple Straight	2	
52				
53	PS714/5	Linch Pin	3	
54				
55	RP6/1	1 1/4"BSF Castellated Nut	2	

SR SERIES PLANTER SPARE PARTS**2.1b****Main Frame & Wheels**

Item	Part No.	Description	Qty.	Remarks
56				
57				
58	SPCL231	Bearing	4	
59	SPCL232	Oil Seal	4	
60				
61	13208	M18 Wheel Stud	12	
62	13209	M18 Wheel Nut	12	

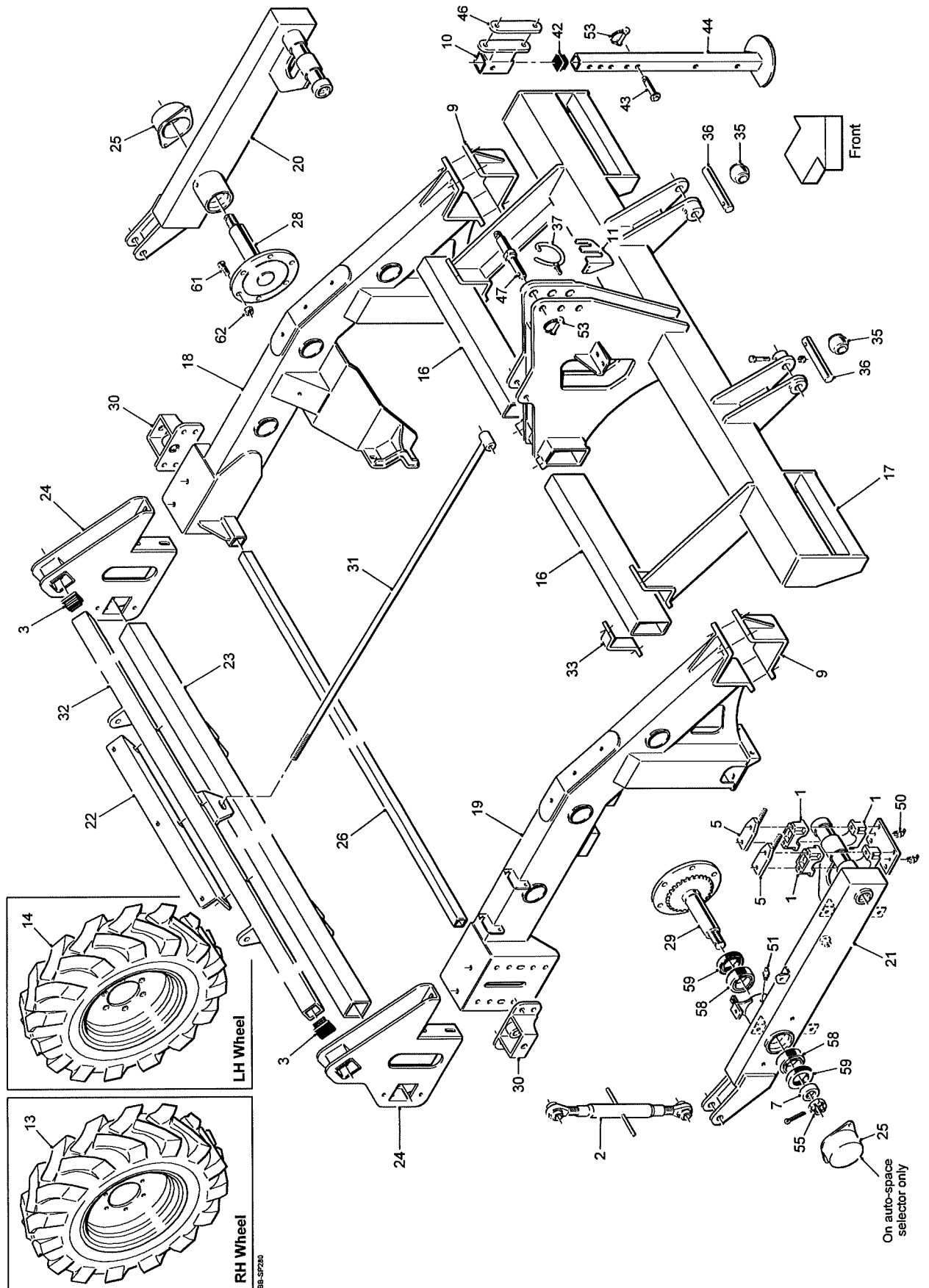


SR SERIES PLANTER SPARE PARTS

2.1

Machines from Serial No. SR2106

Main Frame & Wheels



2.1a**SR SERIES PLANTER SPARE PARTS**

Machines from Serial No. SR2106

Main Frame & Wheels

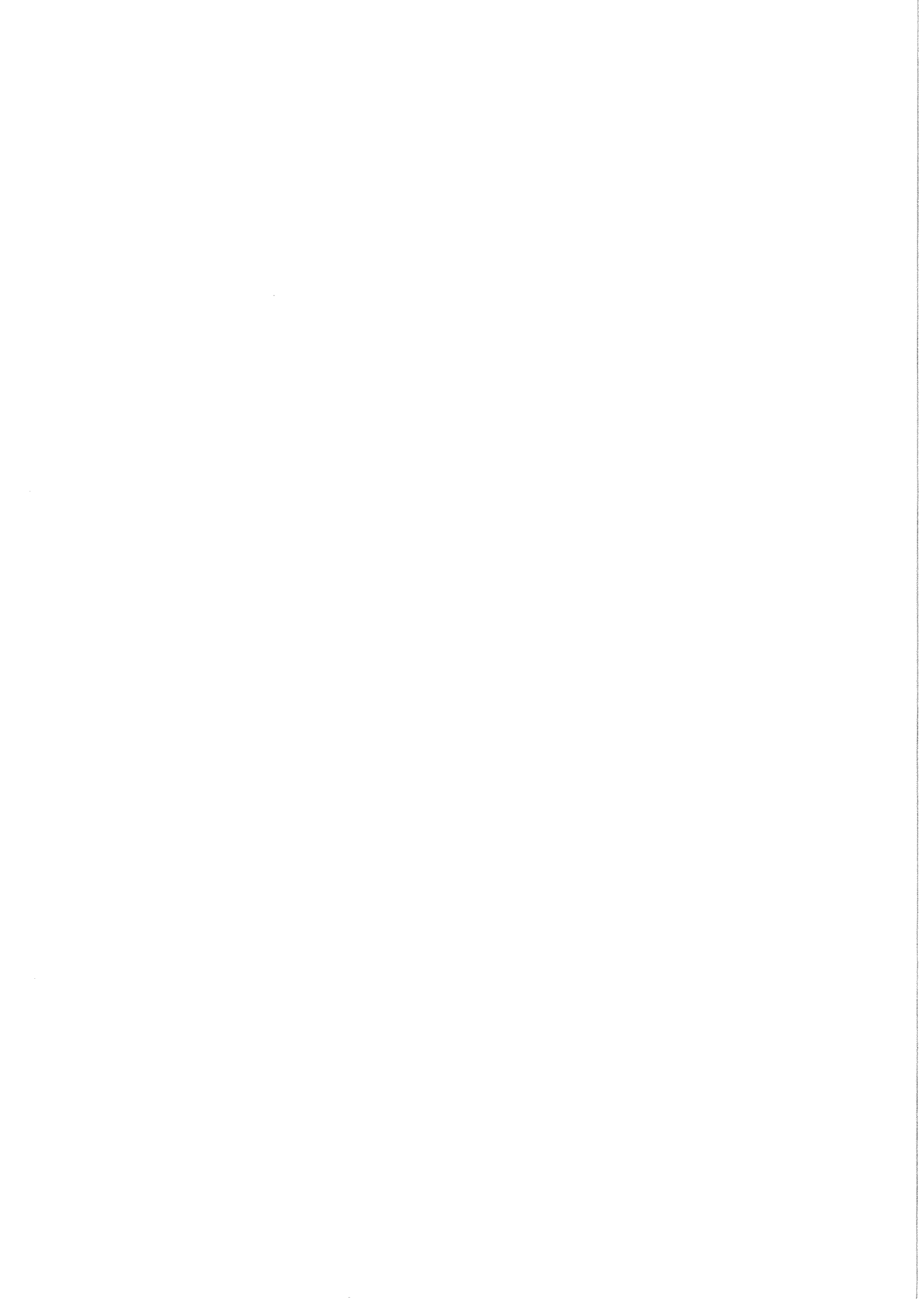
Item	Part No.	Description	Qty.	Remarks
1	10415	Nylon Bearing Block	8	
2	43048	Top Link Complete	2	
3	43215	Plastic Insert (60x60)	2	
4	43251	Clamp Plate	2	
5	65732	Adjuster	4	
6				
7	52021	Oil Seal Spacer	2	
8				
9	65007	Clamp	2	
10	65176	Stand Bracket	2	
11	65177	Hose Anchor Plate	1	
12				
13	65179LH	7.5x20 Wheel Assembly RH	1	
14	65179RH	7.5x20 Wheel Assembly LH	1	
15				
16	65536	Tunnel Beam	2	
17	65540	Main Frame	1	
18	65790	Side Frame LH	1	
19	65791	Side Frame RH	1	Automatic space selector
	65791A	Side Frame LH	1	Manual space selector
20	65788	Wheel Leg LH	1	
21	65789	Wheel Leg RH	1	Automatic space selector
	65789A	Wheel Leg RH	1	Manual space selector
22	65546	Hopper Support Angle	1	
23	65547	Rear Cross Beam	1	
24	65548	Hopper Support Bracket	2	
25	65549	Hub Cap	2	Qty x1 on manual space selector
26	65555	Conveyor Support Beam	1	
27				
28	65573	Axle LH	1	
29	65792	Axle RH	1	Automatic space selector
	65792A	Axle RH	1	Manual space selector
30	65581	Ram Mounting	2	
31	65583	Tie Rod	1	
32	65584	Support Beam	1	
33	65585	Clamp	2	
34				
35	65642	Lower Link Ball (CAT2)	2	
36	65680	Bottom Pin	2	
37	65772	Hose Loop	1	
38				
39				
40				
41				
42	DW208044090	Plastic Insert (2"x2")	2	
43	DW650247	Stand Pin	2	
44	DW801201	Stand	2	
45				
46	DWS134	Clamp Plate	2	
47	DWS414	Top Link Pin (CAT2 & 3)	1	
48				
49				

SR SERIES PLANTER SPARE PARTS**2.1b**

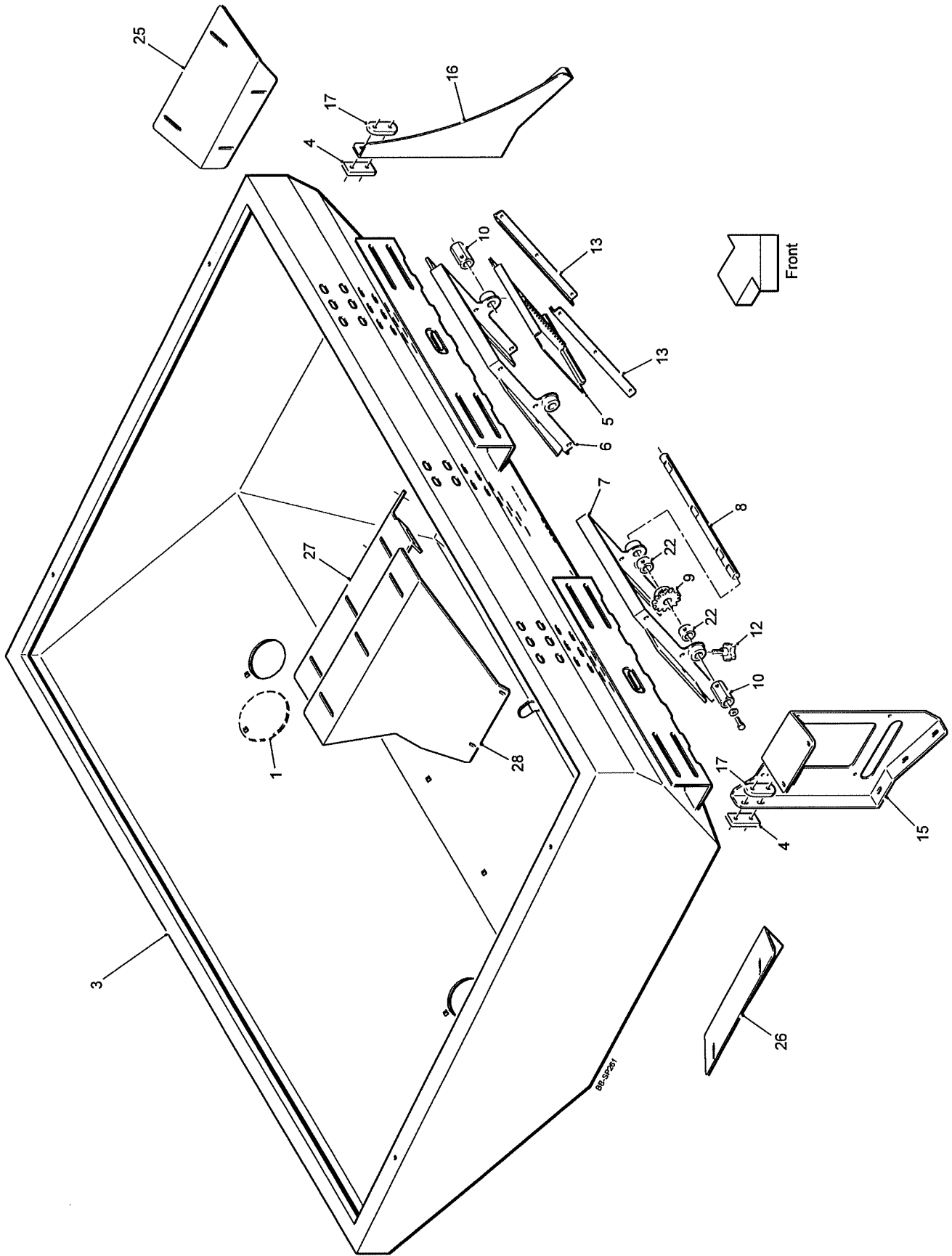
Machines from Serial No. SR2106

Main Frame & Wheels

Item	Part No.	Description	Qty.	Remarks
50	RPC648.081251	M8 Grease Nipple 45°	4	
51	RPC648.081250	M8 Grease Nipple Straight	2	
52				
53	PS714/5	Linch Pin		
54			3	
55	RP6/1A	1 1/4"BSF Castellated Nut		
56			1	
57				
58	SPCL231	Bearing		
59	SPCL232	Oil Seal	4	
60			4	
61	13208	M18 Wheel Stud		
62	13209	M18 Wheel Nut	12	
			12	



Hopper Assembly



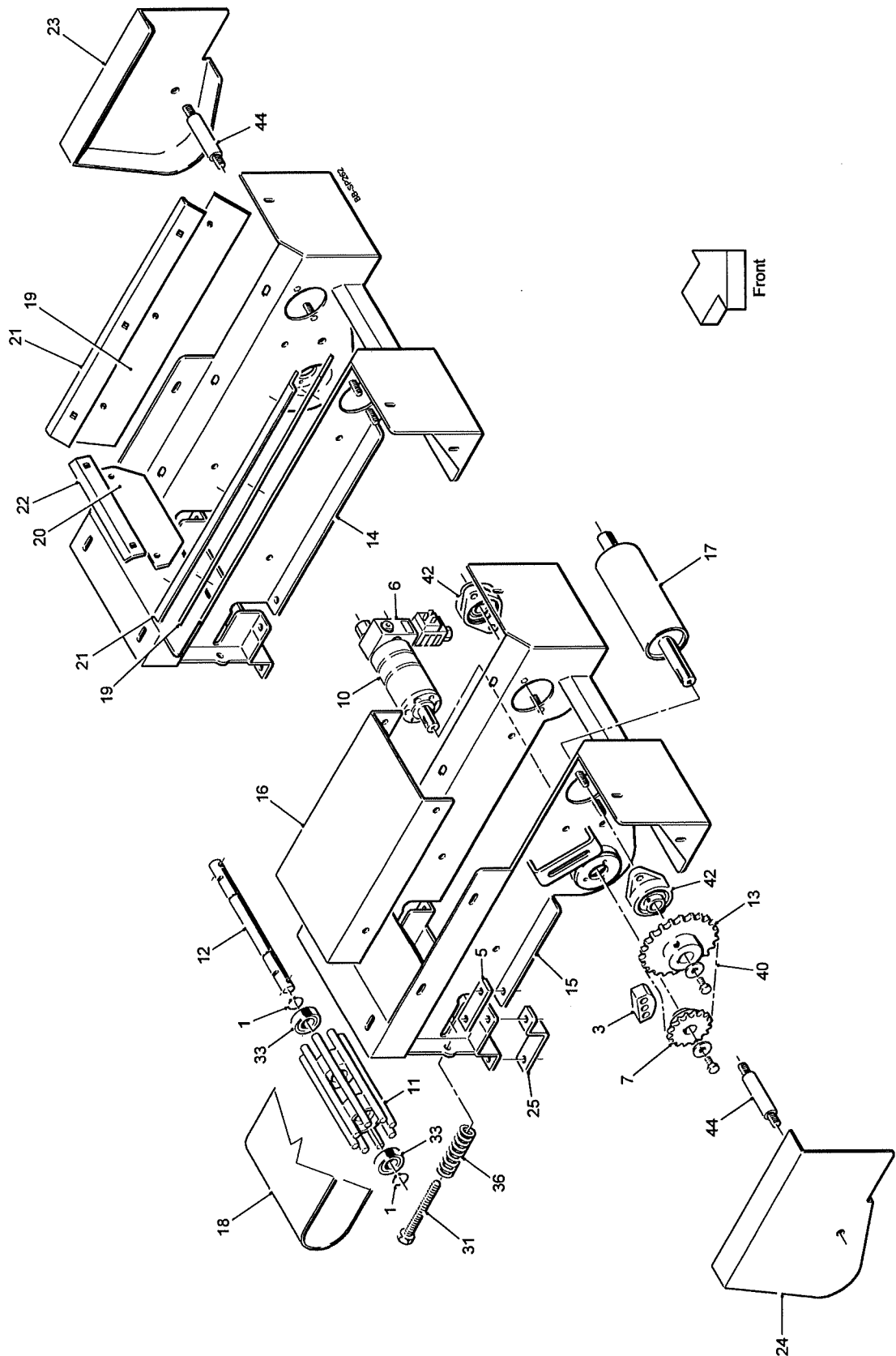
2.2a

SR SERIES PLANTER SPARE PARTS

Hopper Assembly

Item	Part No.	Description	Qty.	Remarks
1	43620	Cover Plate	2	
2				
3	65545	2-Row Hopper	1	
4	65632	Tapped Clamp Plate	2	
5	65662	Regulator Gate	2	
6	65663	Regulator Gate Frame LH	1	
7	65664	Regulator Gate Frame RH	1	
8	65665	Adjuster Shaft	2	
9	65666	Pinion Gear	2	
10	65780	Adjuster Nut	2	Part was 65667 & 65668
11				
12	65669	Knob	2	
13	65670	Gate Guide	4	
14				
15	65677	Hopper Mounting LH	1	
16	65678	Hopper Mounting RH	1	
17	65798	Clamp Plate	2	
18				
19				
20				
21				
22	W0979	Locking Collar	4	
23				
24				
25	65577	Infill Panel LH	1	34" & 36" Rows
	65577A	Infill Panel LH	1	30" & 32" Rows
26	65578	Infill Panel RH	1	34" & 36" Rows
	65578A	Infill Panel RH	1	30" & 32" Rows
27	65579	Infill Panel Centre LH	1	34" & 36" Rows
	65579A	Infill Panel Centre LH	1	30" & 32" Rows
28	65580	Infill Panel Centre RH	1	34" & 36" Rows
	65580A	Infill Panel Centre RH	1	30" & 32" Rows

LH & RH Conveyors
Assy No 65593 & 65594



2.3a

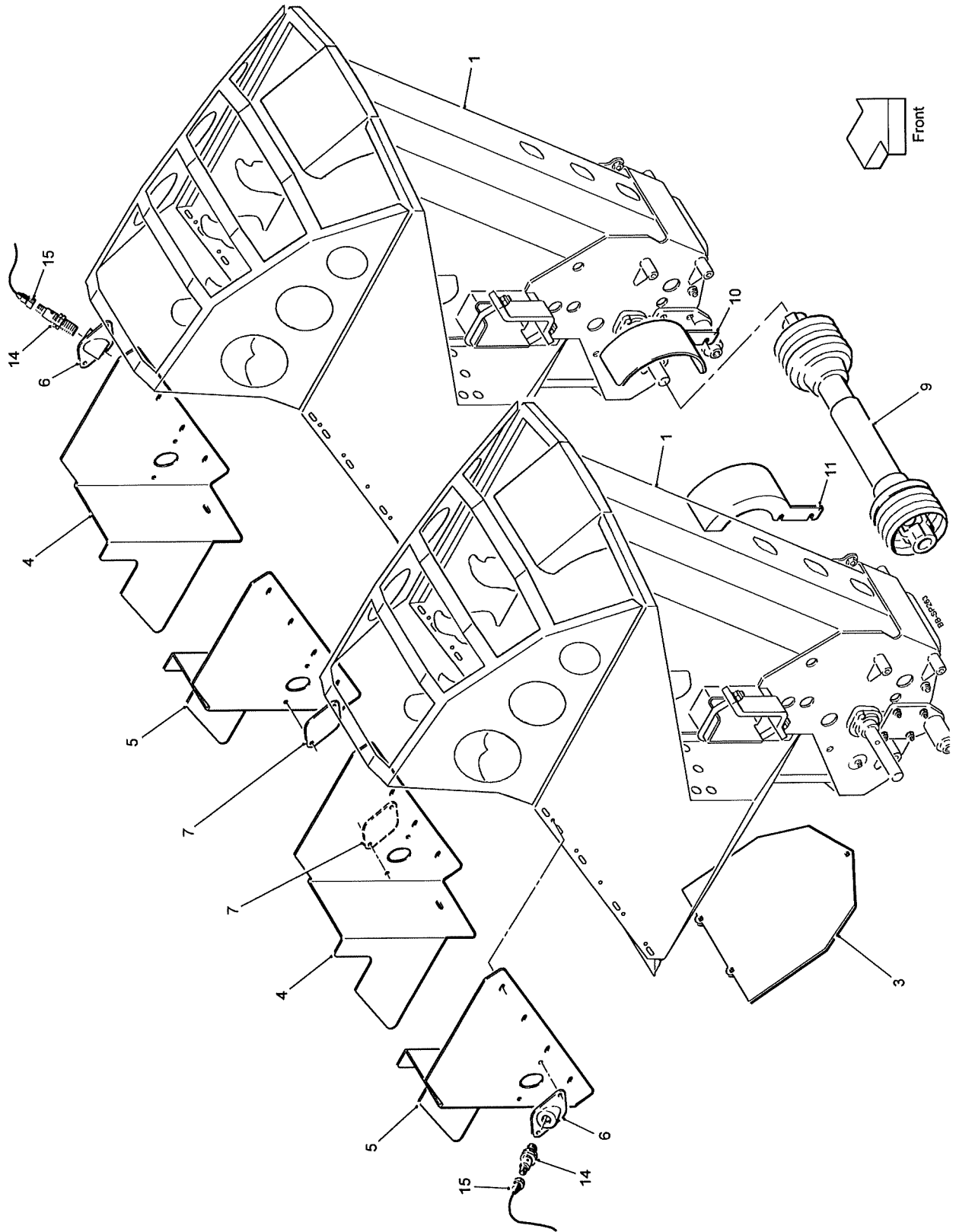
SR SERIES PLANTER SPARE PARTS

LH & RH Conveyors

Assy No 65593 & 65594

Item	Part No.	Description	Qty.	Remarks
1	12298	Ø20 External Circlip	4	
2				
3	17155	Nylon Web Tensioner	2	
4				
5	54013	Joining Strip	4	
6	54266	Motor Manifold	2	
7	54288	16T 1/2"Pitch Sprocket	2	
8				
9				
10	65002	Hydraulic Motor	2	
11	65253	Cage Roller	2	
12	65254	Cage Roller Shaft	2	
13	65276	34T 1/2"Pitch Sprocket	2	
14	65537	Conveyor Frame LH	1	
15	65538	Conveyor Frame RH	1	
16	65564	Belt Support Plate	2	
17	65565	Drive Roller	2	
18	65566	Conveyor Belt	2	
19	65567	Skirt Rubber Long	4	
20	65568	Skirt Rubber Short	2	
21	65569	Clamp Strip Long	4	
22	65570	Clamp Strip Short	2	
23	65571	Chain Guard LH	1	
24	65572	Chain Guard RH	1	
25	65887	Conveyor Strap	4	
26				
27				
28				
29				
30				
31	22011010/100	M10x100 Setscrew	4	
32				
33	60042RS	Bearing	4	
34				
35				
36	JK63550	Compression Spring	4	
37				
38				
39				
40	PH526/56	1/2"Pitch Drive Chain	2	
41				
42	SFT20	Bearing	4	
43				
44	SP279M	Guard Bolt	2	

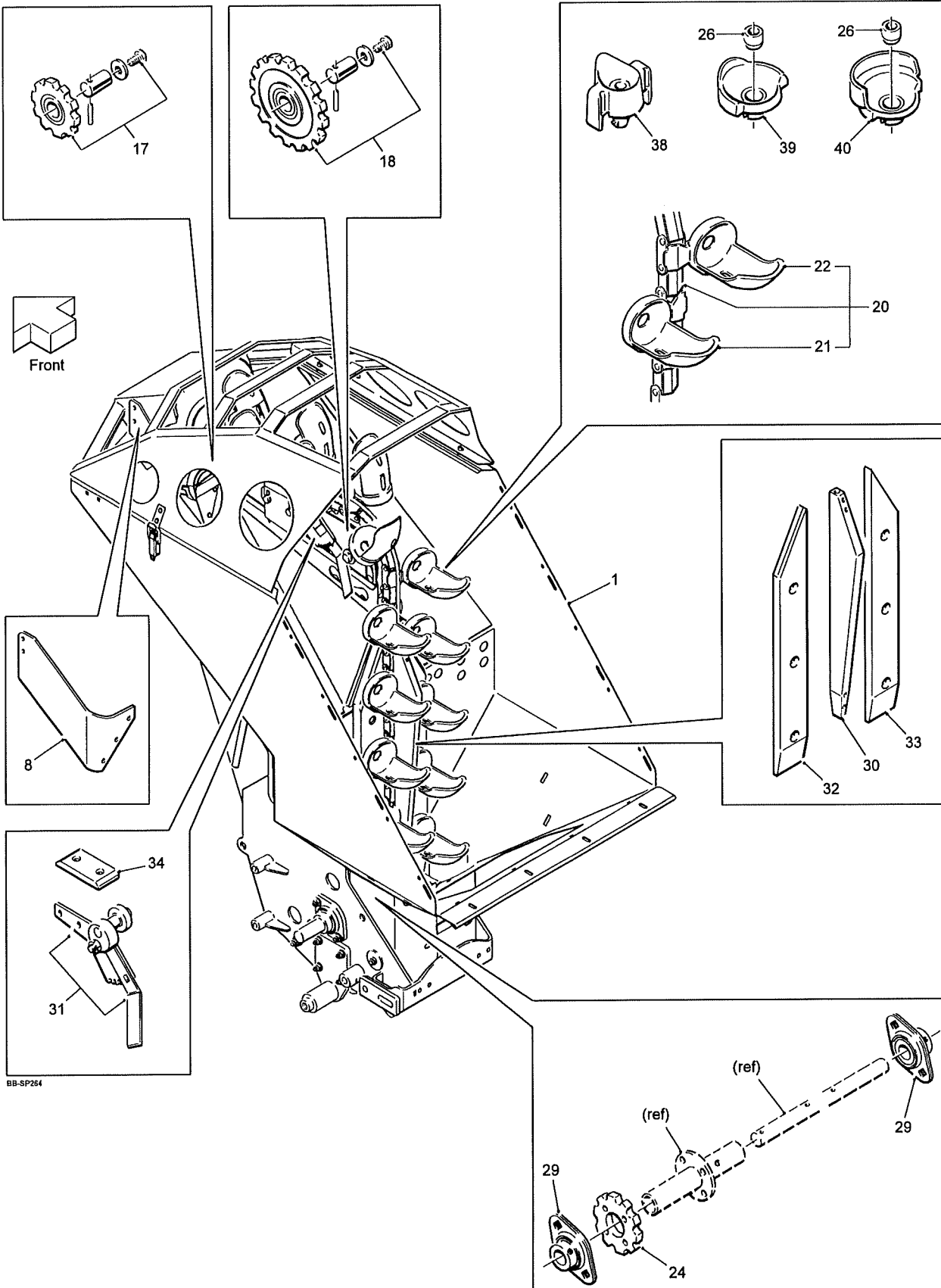
LH & RH Tunnels



2.4a

SR SERIES PLANTER SPARE PARTS

LH & RH Tunnels



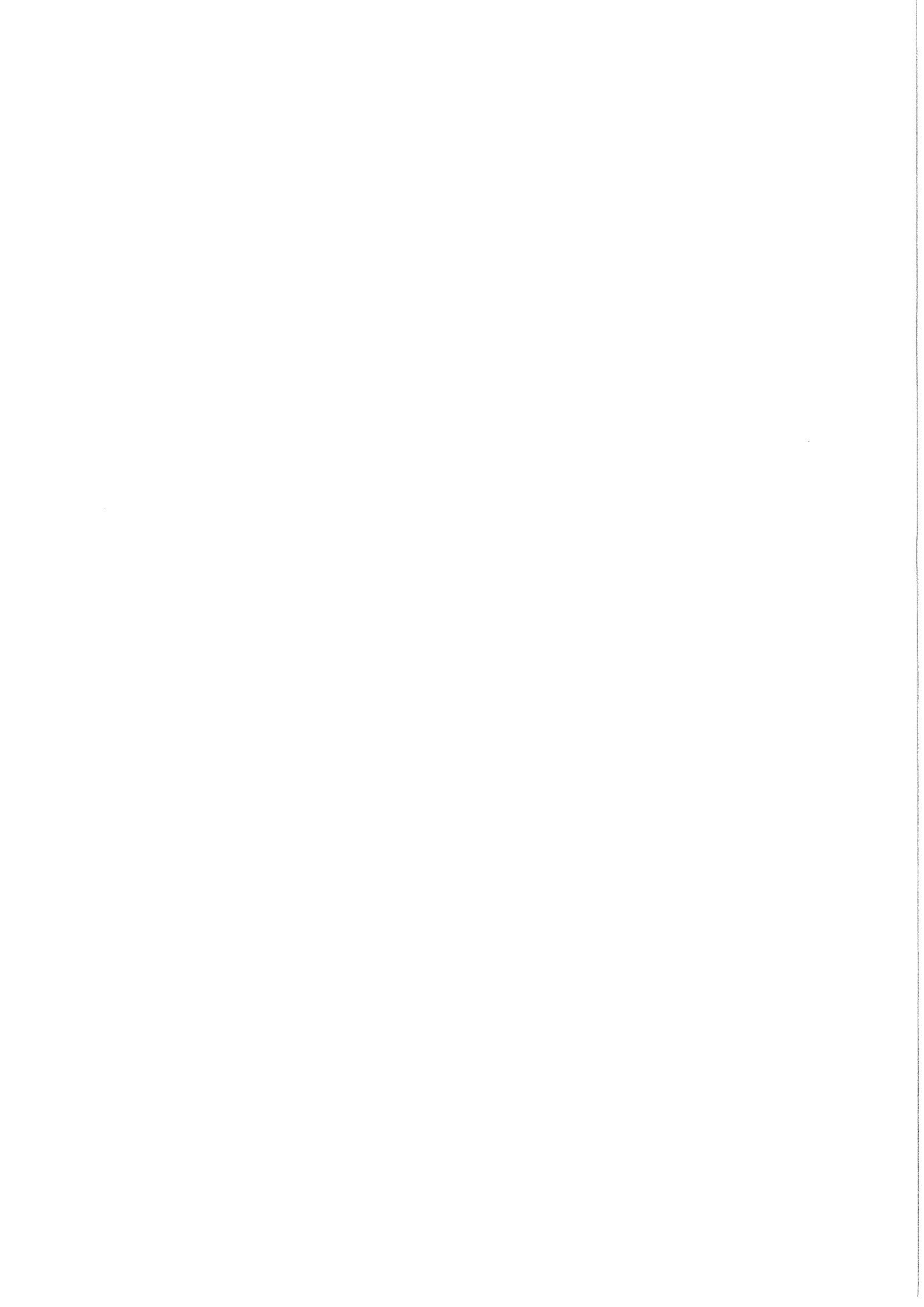
BB-SP264

SR SERIES PLANTER SPARE PARTS

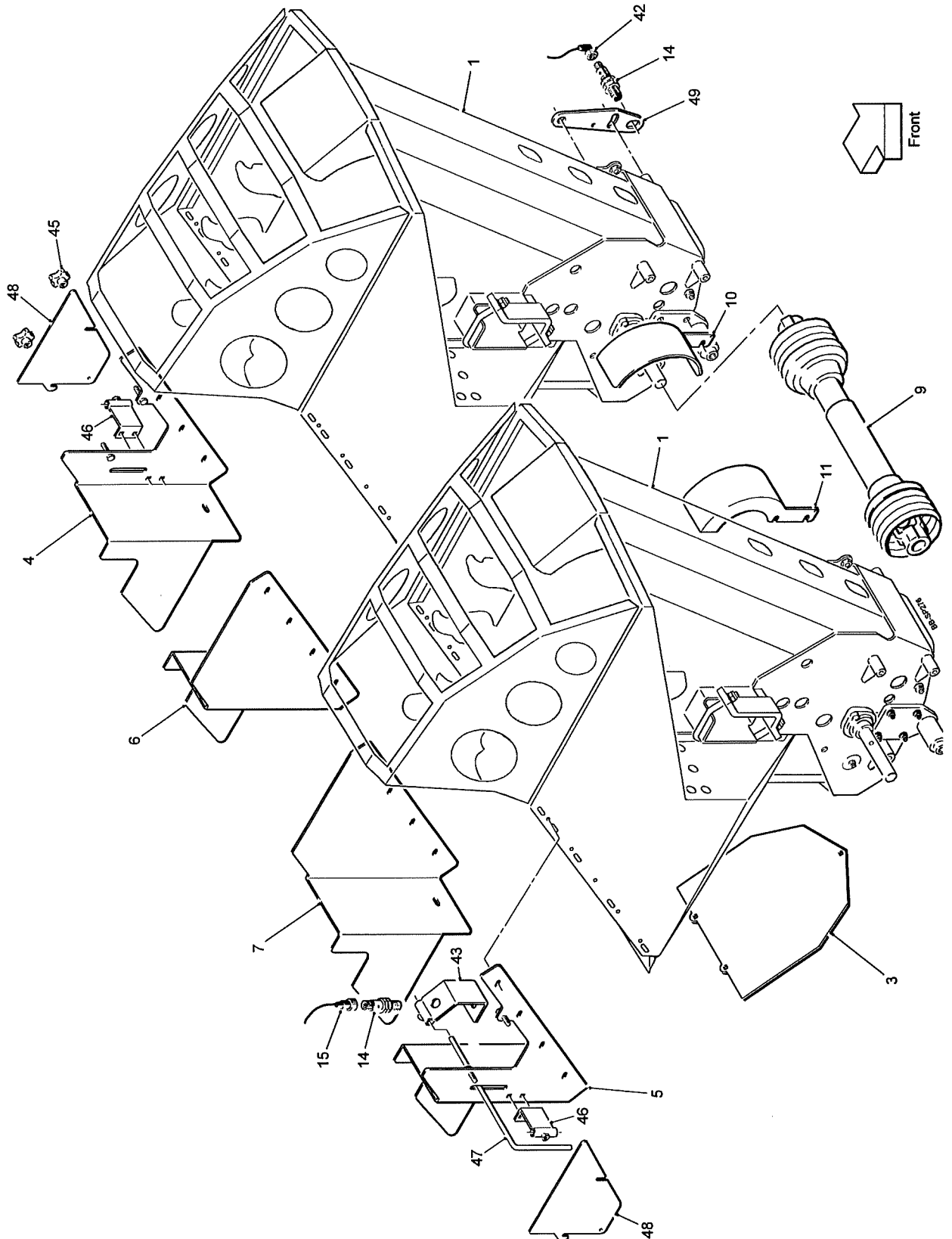
2.4b

LH & RH Tunnels

Item	Part No.	Description	Qty.	Remarks
1	65534	Planting Tunnel Complete	2	
2				
3	65539	Cover Plate	2	
4	65576L	Infill Panel LH	2	
5	65576R	Infill Panel RH	2	
6	65676	Sensor Mount	2	
7	65679	Cover Plate	2	
8	65682	Rubber Deflector	4	
9	65696	Drive Shaft Assembly	1	
10	65697	Shaft Guard LH	1	
11	65698	Shaft Guard RH	1	
12				
13				
14	65727	Photo Electric Sensor	2	
15	JK63720/2	Sensor Cable Straight (5m)	2	
16				
17	RFB9941350	9T Sprocket Complete (top)	1	
18	RFB9941351	15T Sprocket Complete	1	
19				
20	RFB9941354	Cups & Chain Complete	1	
21	RFB9941355	Cup (left)	a/r	
22	RFB9941356	Cup (right)	a/r	
23				
24	RFB9941360	9T Sprocket (bottom)	1	
25				
26	RFB9941794	Plug Insert	a/r	
27				
28				
29	RFB9941914	Flange Bearing Complete	2	
30	RFB9941923	Nylon Middle Rail	1	
31	RFB9941999	Agitator Complete	1	
32	-	Nylon Guide LH	1	
33	-	Nylon Guide RH	1	
34	-	Nylon Plate	1	
35				
36				
37				
38	RFB629941680	Set of 30 Plastic Insert Cups (blue)	2	For seed up to 35mm
39	RFB629941681	Set of 30 Plastic Insert Cups (red)	2	For seed 35mm to 55mm
40	RFB629941359	Set of 30 Plastic Insert Cups (grey)	2	For seed above 55mm



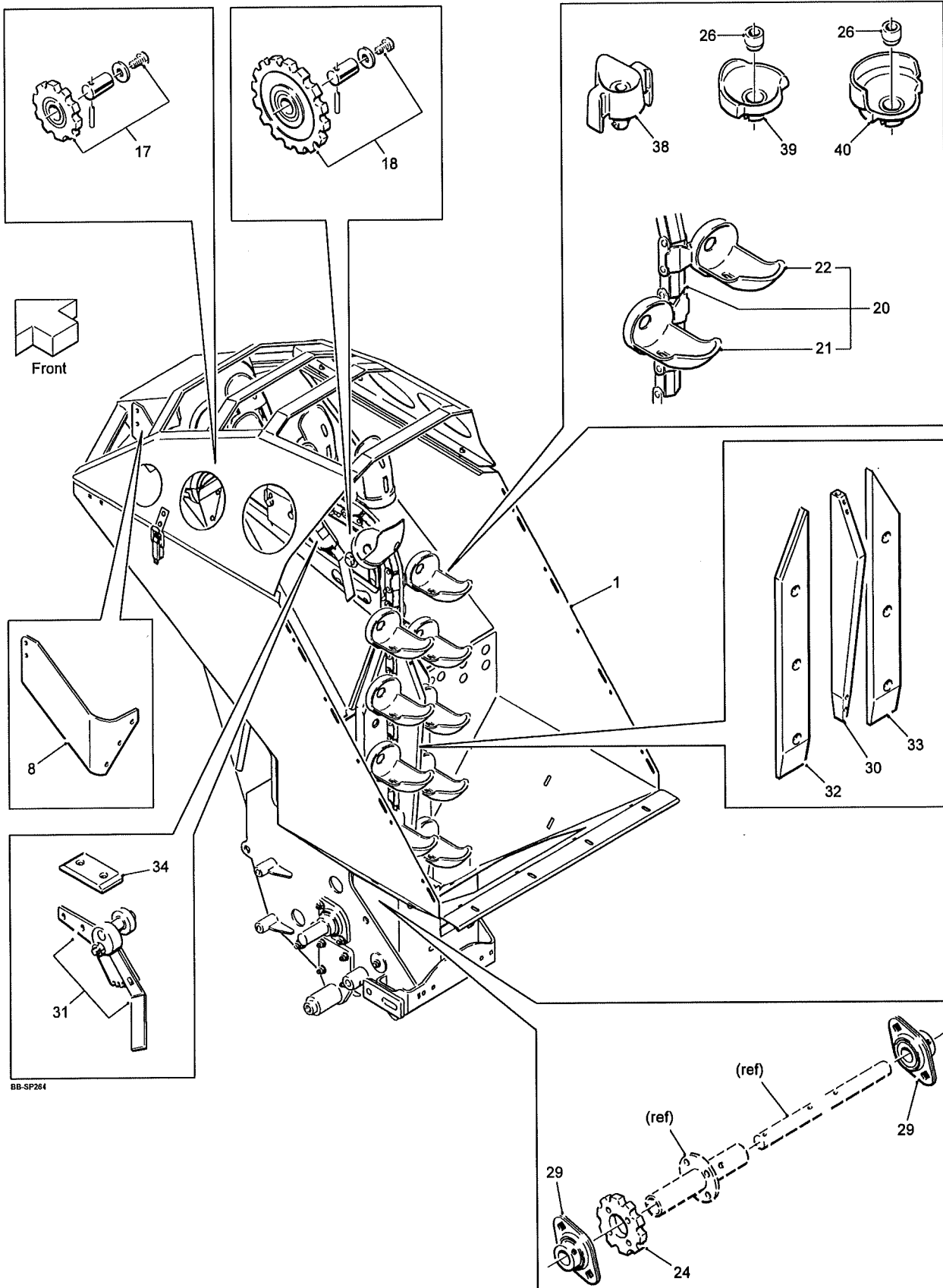
LH & RH Tunnels



2.4a

SR SERIES PLANTER SPARE PARTS

LH & RH Tunnels

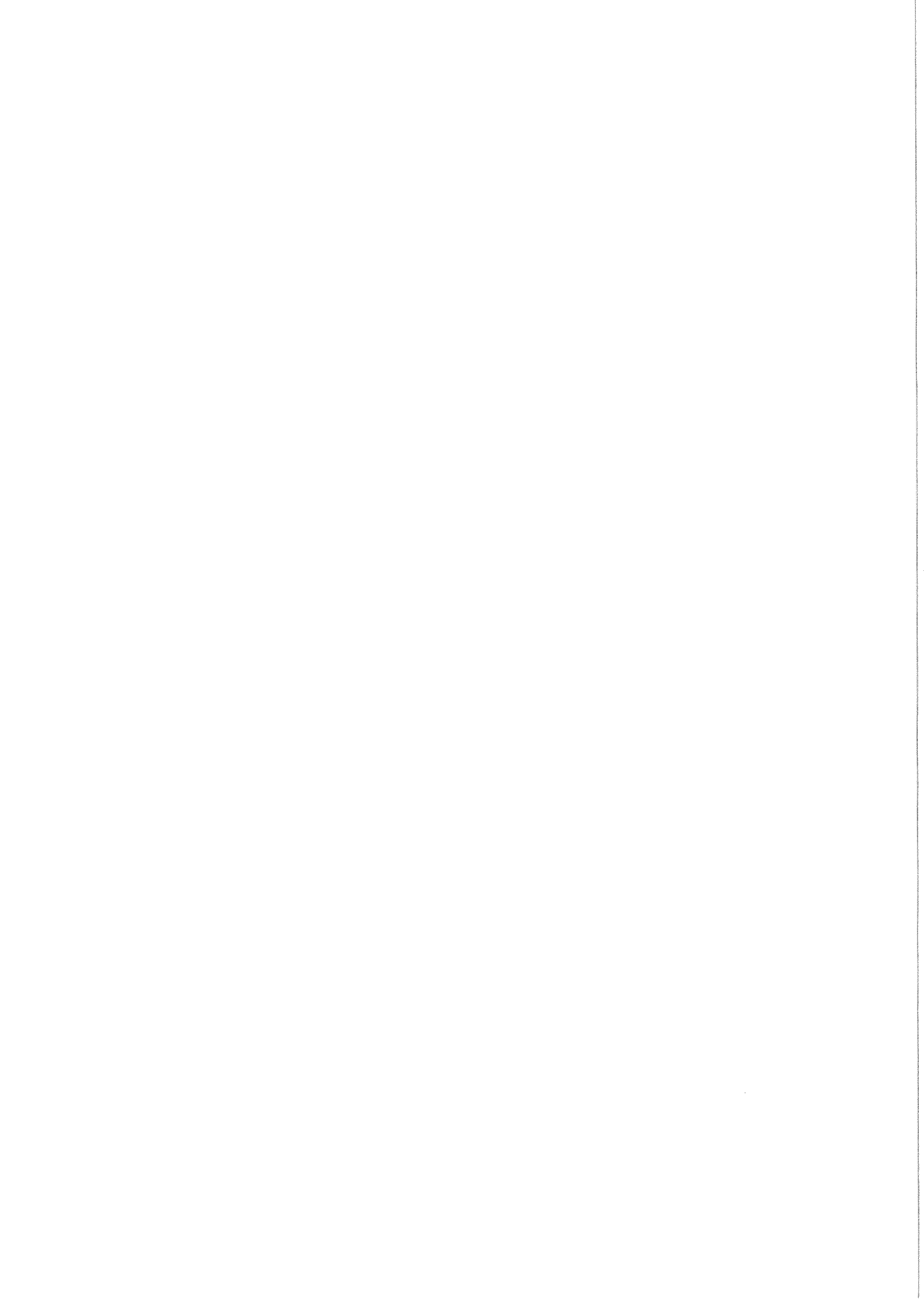


SR SERIES PLANTER SPARE PARTS

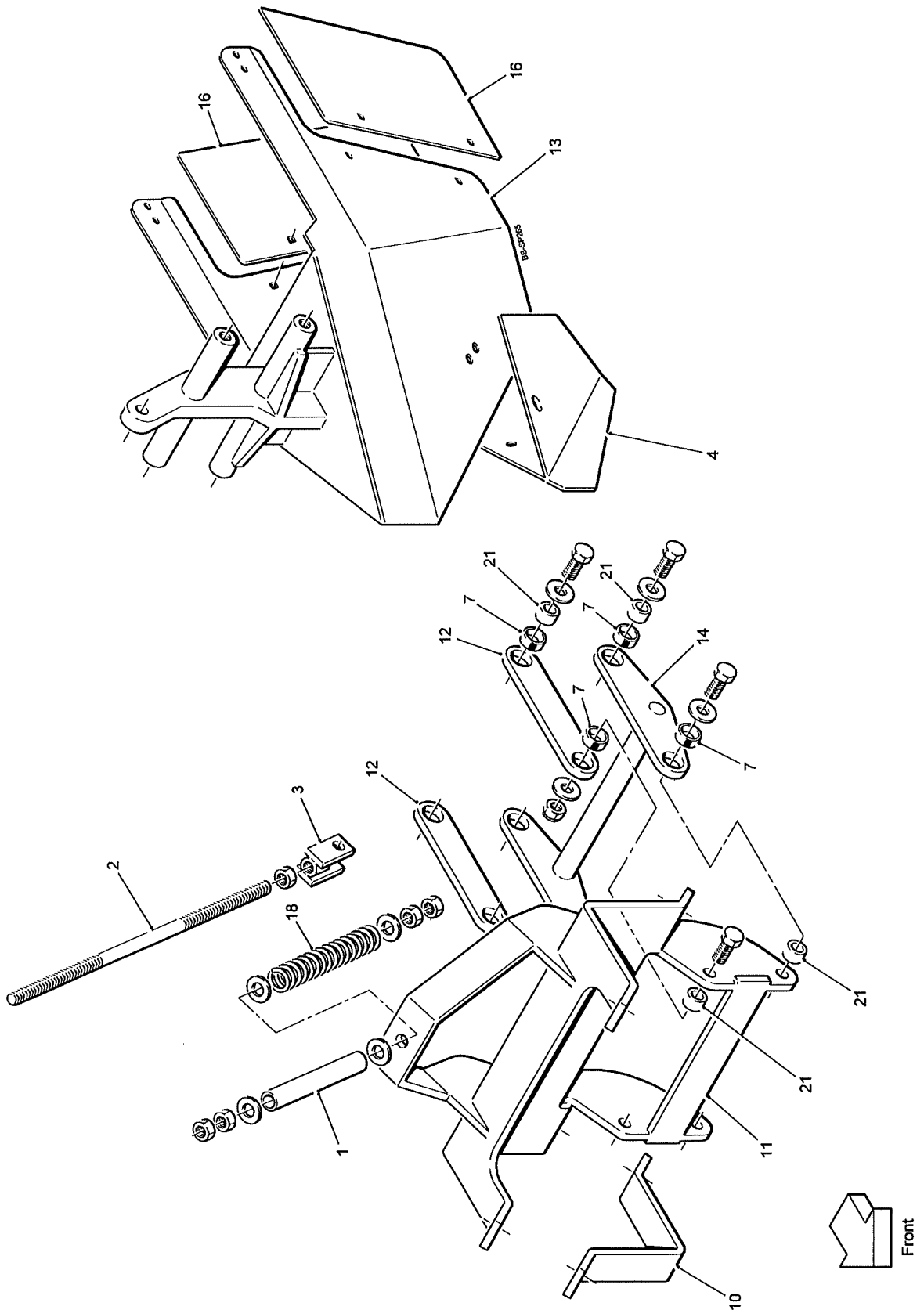
2.4b

LH & RH Tunnels

Item	Part No.	Description	Qty.	Remarks
1	65534	Planting Tunnel Complete	2	
2				
3	65539	Cover Plate	2	
4	65784	Outer Infill Panel LH	1	
5	65785	Outer Infill Panel RH	1	
6	65786	Centre Infill Panel LH	1	
7	65787	Centre Infill Panel RH	1	
8	65682	Rubber Deflector	4	
9	65696	Drive Shaft Assembly	1	
10	65697	Shaft Guard LH	1	
11	65698	Shaft Guard RH	1	
12				
13				
14	65727	Photo Electric Sensor	4	
15	JK63720/2	Sensor Cable Straight (5m)	2	
16				
17	RFB9941350	9T Sprocket Complete (top)	1	
18	RFB9941351	15T Sprocket Complete	1	
19				
20	RFB9941354	Cups & Chain Complete	1	
21	RFB9941355	Cup (left)	a/r	
22	RFB9941356	Cup (right)	a/r	
23				
24	RFB9941360	9T Sprocket (bottom)	1	
25				
26	RFB9941794	Plug Insert	a/r	
27				
28				
29	RFB9941914	Flange Bearing Complete	2	
30	RFB9941923	Nylon Middle Rail	1	
31	RFB9941999	Agitator Complete	1	
32	-	Nylon Guide LH	1	
33	-	Nylon Guide RH	1	
34	-	Nylon Plate	1	
35				
36				
37				
38	RFB629941680	Set of 30 Plastic Insert Cups (blue)	2	For seed up to 35mm
39	RFB629941681	Set of 30 Plastic Insert Cups (red)	2	For seed 35mm to 55mm
40	RFB629941359	Set of 30 Plastic Insert Cups (grey)	2	For seed above 55mm
41				
42	32037/2	Sensor Cable 90° (5m)	2	
43	43098	Mounting Bracket	2	
44				
45	65126	Knob	4	
46	65781	Carrier Bracket	2	
47	65782	Support Bar	2	
48	65783	Access Panel	2	
49	65891	Sensor Mounting Plate	2	



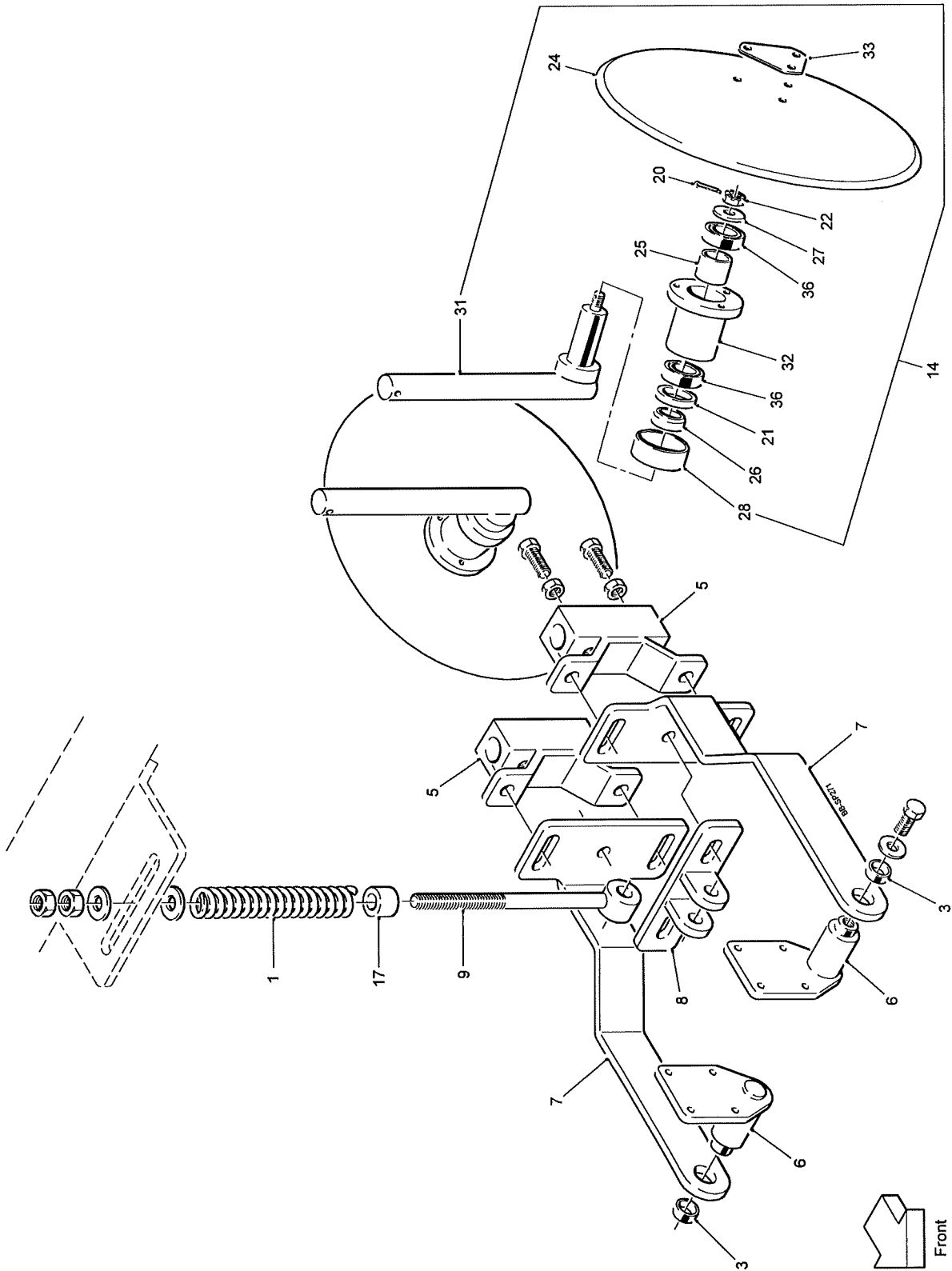
2-Row Openers
Assy No 65596



2.5a**SR SERIES PLANTER SPARE PARTS****2-Row Openers****Assy No 65596**

Item	Part No.	Description	Qty.	Remarks
1	43286	Spacer Tube	2	
2	43519	Depth Rod	2	
3	43520	Clevis	2	
4	43729	Wear Point (stainless steel)	2	
5				
6				
7	54114	Bush	16	
8				
9				
10	65031	Clamp Plate	4	
11	65556	Opener Mounting Bracket	2	
12	65557	Link Plate	4	
13	65558	Opener (stainless steel)	2	
14	65595	Lower Link	2	
15				
16	65769B	150mm Extension Plate	4	
17				
18	PS165	Compression Spring	2	
19				
20				
21	SS025017/017	Steel Spacer	16	

Closing Discs
Assy No 65681



2.8a

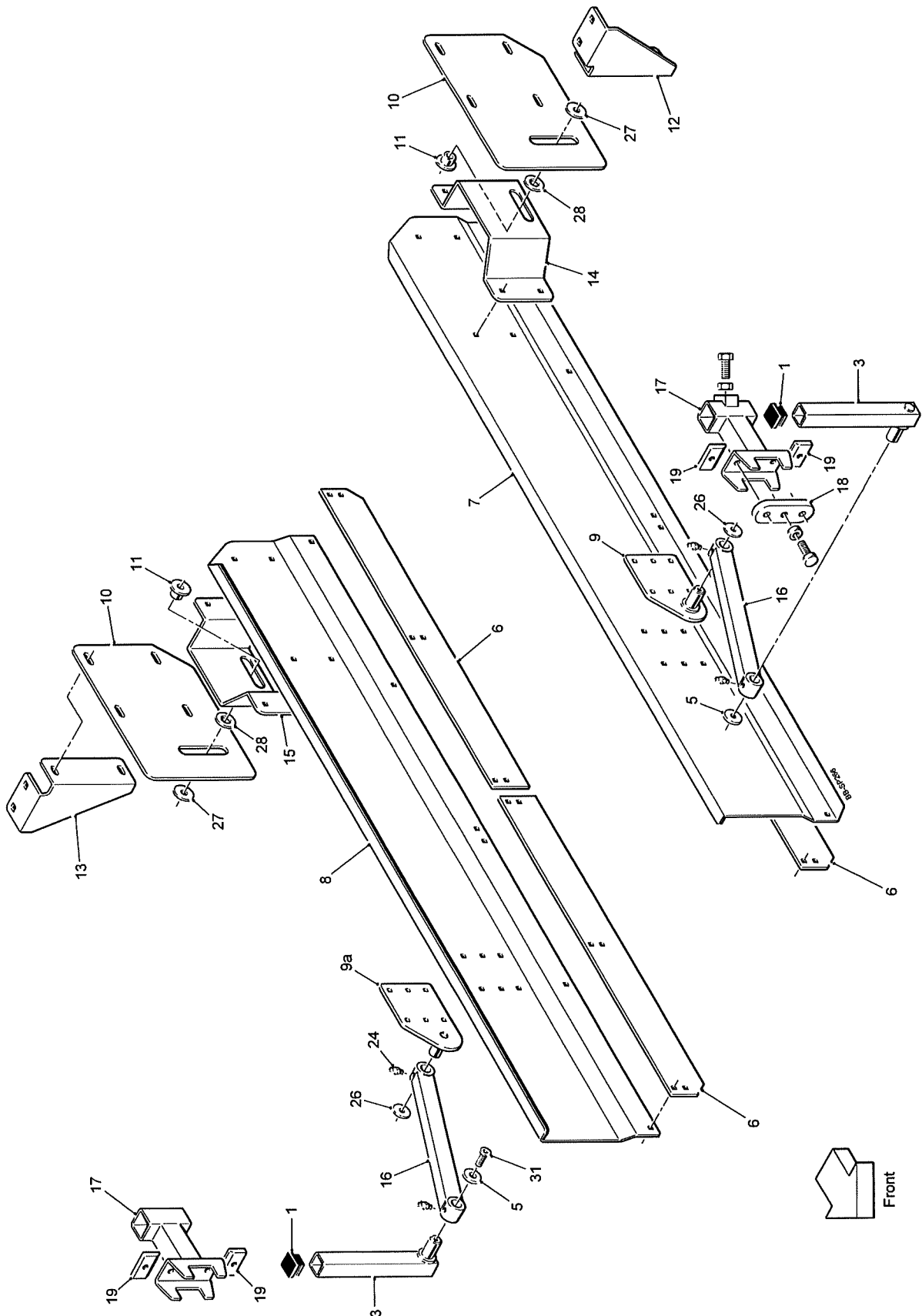
SR SERIES PLANTER SPARE PARTS

Closing Discs

Assy No 65681

Item	Part No.	Description	Qty.	Remarks
1	11630	Compression Spring	2	
2				
3	54114	Bush	4	
4				
5	65245	Disc Bracket	4	
6	65672	Disc Pivot Bracket	4	
7	65673	Disc Mounting Arm	4	
8	65674	Spring Mounting Bracket	2	
9	65675	Spring Tensioner Rod	2	
10				
11				
12				
13				
14	DWS837	Disc Assembly	2	(see list at end)
15				
16				
17	SS030017/030	Steel Spacer	2	
18				
	DWS837	Disc Assembly Consists Of:		
20	DW208010140	Split Pin	1	
21	DW266240071	Seal	1	
22	DW307212080	M12 Slotted Nut	1	
23				
24	DW802703	Disc	1	
25	DW802933	Spacer	1	
26	DW802934	Sealing Ring	1	
27	DW802935	Washer	1	
28	DW802937	Dust Cover	1	
29				
30				
31	DWS838	Disc Leg	1	
32	DWS839	Disc Hub	1	
33	DWS840	Cover Plate	1	
34				
35				
36	62062RS	Bearing	1	

Soil Retention Panels (for moulding board) Assy No 65597



2.10a

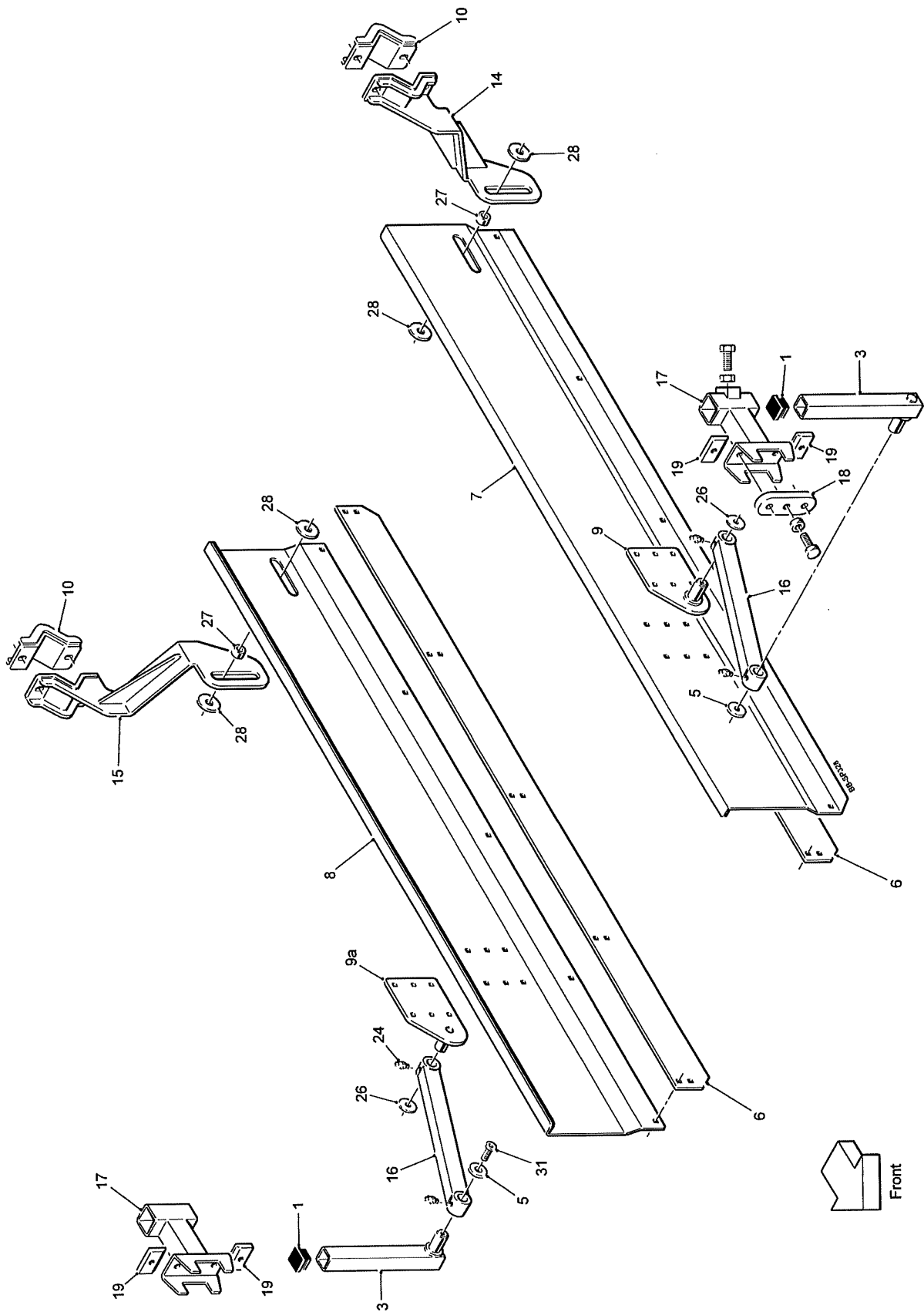
SR SERIES PLANTER SPARE PARTS

Soil Retention Panels (for moulding board)

Assy No 65597

Item	Part No.	Description	Qty.	Remarks
1	27159	Square Plastic Insert (40x40)	2	
2				
3	52348	Adjustable Leg	2	
4				
5	65532	Countersunk Washer	2	
6	65624	Wear Strip	4	
7	65625	Soil Retention Panel LH	1	
8	65626	Soil Retention Panel RH	1	
9	65627LH	Mounting Bracket Front LH	1	Was 65627
9a	65627RH	Mounting Bracket Front RH	1	Was 65627
10	65649	Side Plate	2	
11	65650	Top Hat Spacer	2	
12	65651	Support Plate LH	1	
13	65652	Support Plate RH	1	
14	65653	Mounting Bracket Rear LH	1	
15	65654	Mounting Bracket Rear RH	1	
16	52347	Link	2	Was 65658
17	65659	Link Arm Mount	2	
18	65660	Tapped Clamp Plate	2	
19	65956	Retaining Plate	4	
20				
21				
22				
23				
24	GS412	1/8" BSP Grease Nipple Straight	4	
25				
26	SS040011/003	Steel Spacer	2	
27	SS050017/005	Steel Spacer	2	
28	SS050026/005	Steel Spacer	2	
29				
30				
31	22016010/020	M10x20 Countersunk Setscrew	2	

Soil Retention Panels (for rear ridgers) Assy No 72086



2.11a

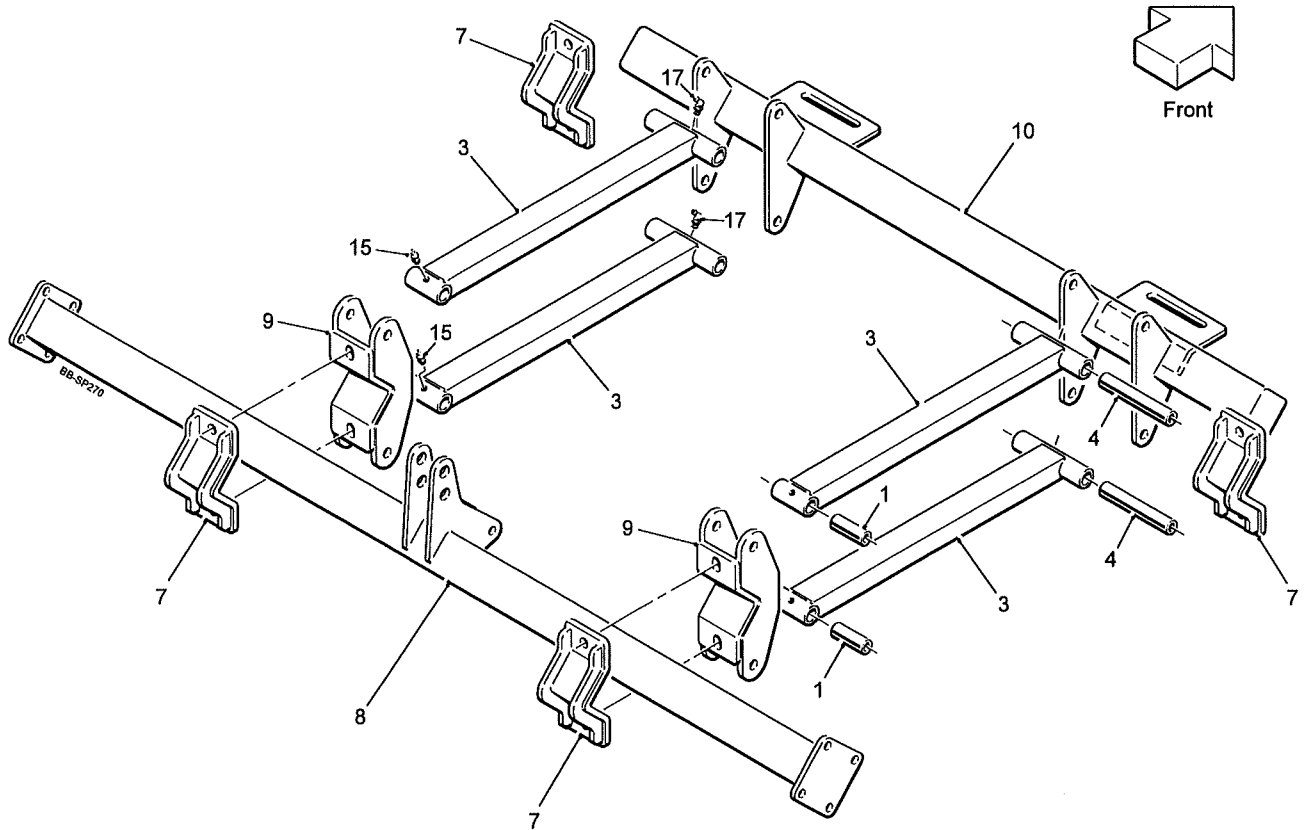
SR SERIES PLANTER SPARE PARTS

Soil Retention Panels (for rear ridgers)

Assy No 72086

Item	Part No.	Description	Qty.	Remarks
1	27159	Square Plastic Insert (40x40)	2	
2				
3	52348	Adjustable Leg	2	
4				
5	65532	Countersunk Washer	2	
6	72093	Wear Strip	2	
7	72091	Soil Retention Panel LH	1	
8	72092	Soil Retention Panel RH	1	
9	65627LH	Mounting Bracket Front LH	1	
9a	65627RH	Mounting Bracket Front RH	1	
10	65552	Clamp	2	
11				
12				
13				
14	72094	Mounting Bracket Rear LH	1	
15	72095	Mounting Bracket Rear RH	1	
16	52347	Link	2	
17	65659	Link Arm Mount	2	
18	65660	Tapped Clamp Plate	2	
19	65956	Retaining Plate	4	
20				
21				
22				
23				
24	GS412	1/8" BSP Grease Nipple Straight	4	
25				
26	SS040011/003	Steel Spacer	2	
27	SS030017/017	Steel Spacer	2	
28	SS060017/005	Steel Spacer	2	
29				
30				
31	22016010/020	M10x20 Countersunk Setscrew	2	

Parallel Linkage Tool Bar (for moulding board)



2.12a**SR SERIES PLANTER SPARE PARTS****Parallel Linkage Tool Bar (for moulding board)**

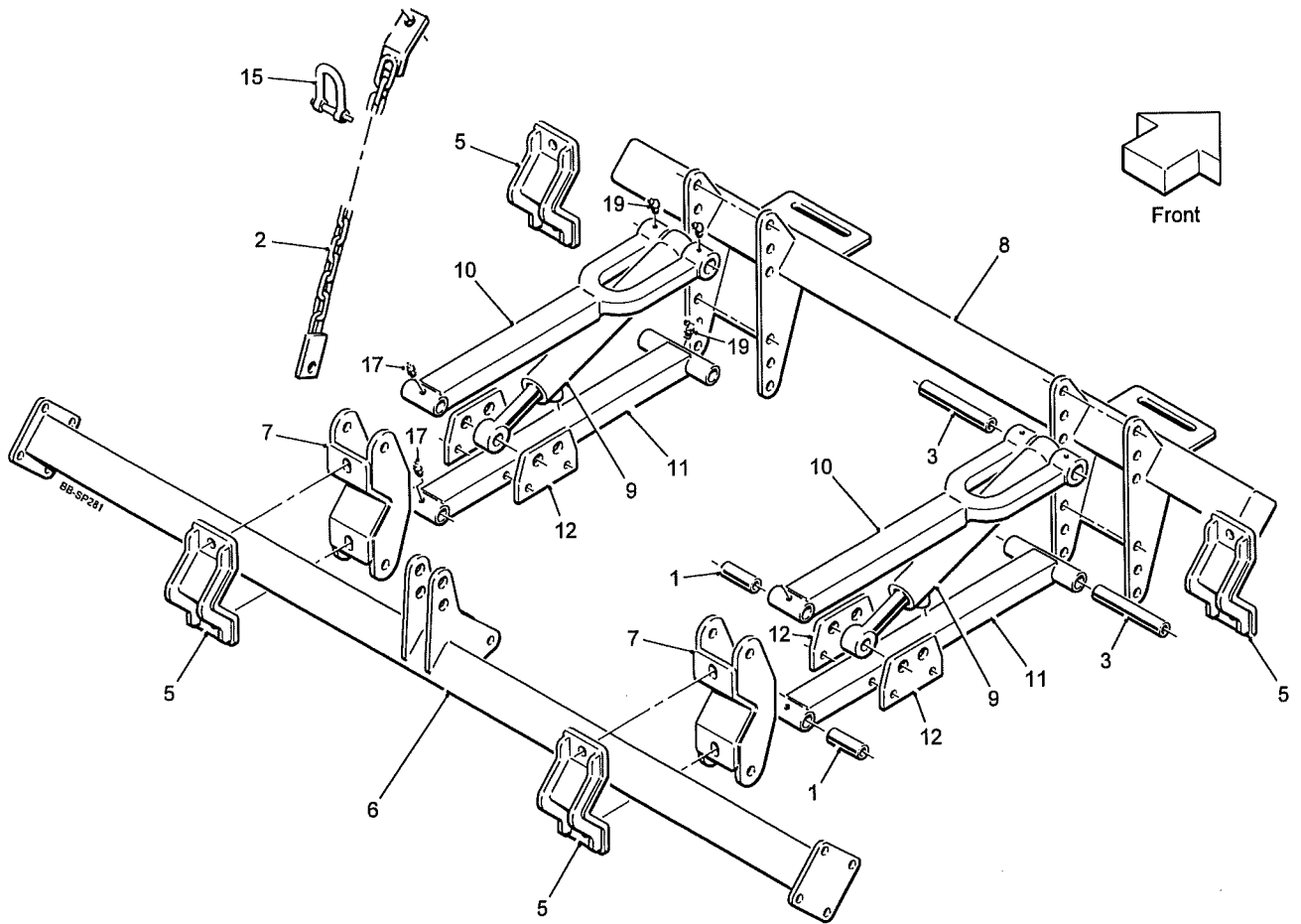
Item	Part No.	Description	Qty.	Remarks
1	52586	Pivot Sleeve (short)	4	
2				
3	54307	Parallel Linkage Arm	4	
4	54328	Pivot Sleeve (long)	4	
5				
6				
7	65552	Clamp	4	
8	65553	Tool Bar	1	
9	65657	Clamp Bracket	2	
10	65661	Mounting Beam	1	
11				
12				
13				
14				
15	GS412	1/8"BSP Grease Nipple Straight	4	
16				
17	35083	1/8"BSP Grease Nipple 90°	4	

SR SERIES PLANTER SPARE PARTS

2.12

Machines from Serial No. SR2106

Parallel Linkage Tool Bar (for moulding board)



2.12a**SR SERIES PLANTER SPARE PARTS**

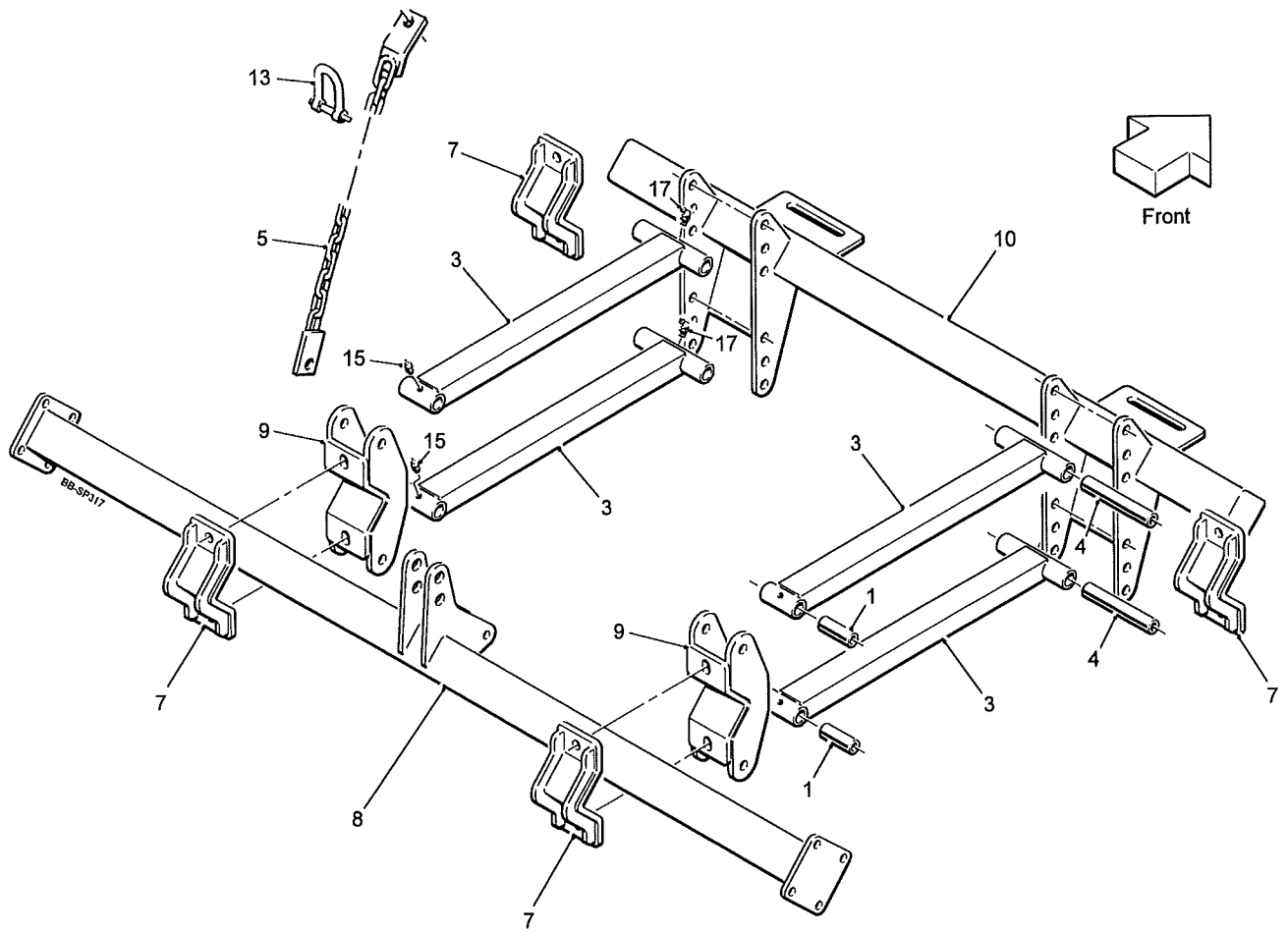
Machines from Serial No. SR2106

Parallel Linkage Tool Bar (for moulding board)

Item	Part No.	Description	Qty.	Remarks
1	52586	Pivot Sleeve (short)	4	
2	54324	Support Chain	2	
3	54328	Pivot Sleeve (long)	4	
4				
5	65552	Clamp	4	
6	65553	Tool Bar	1	
7	65657	Clamp Bracket	2	
8	65661	Mounting Beam	1	
9	65608	Hydraulic Ram	2	
10	65799	Parallel Linkage Arm Top	2	
11	65799A	Parallel Linkage Arm Bottom	2	
12	65800	Ram Plate	4	
13				
14				
15	H171	Shackle	2	
16				
17	RPC648.081250	M8 Grease Nipple Straight	4	Was GS412
18				
19	RPC648.081252	M8 Grease Nipple 90°	6	Was 35083

Machines from Serial No. SR2108

Parallel Linkage Tool Bar (for moulding board)



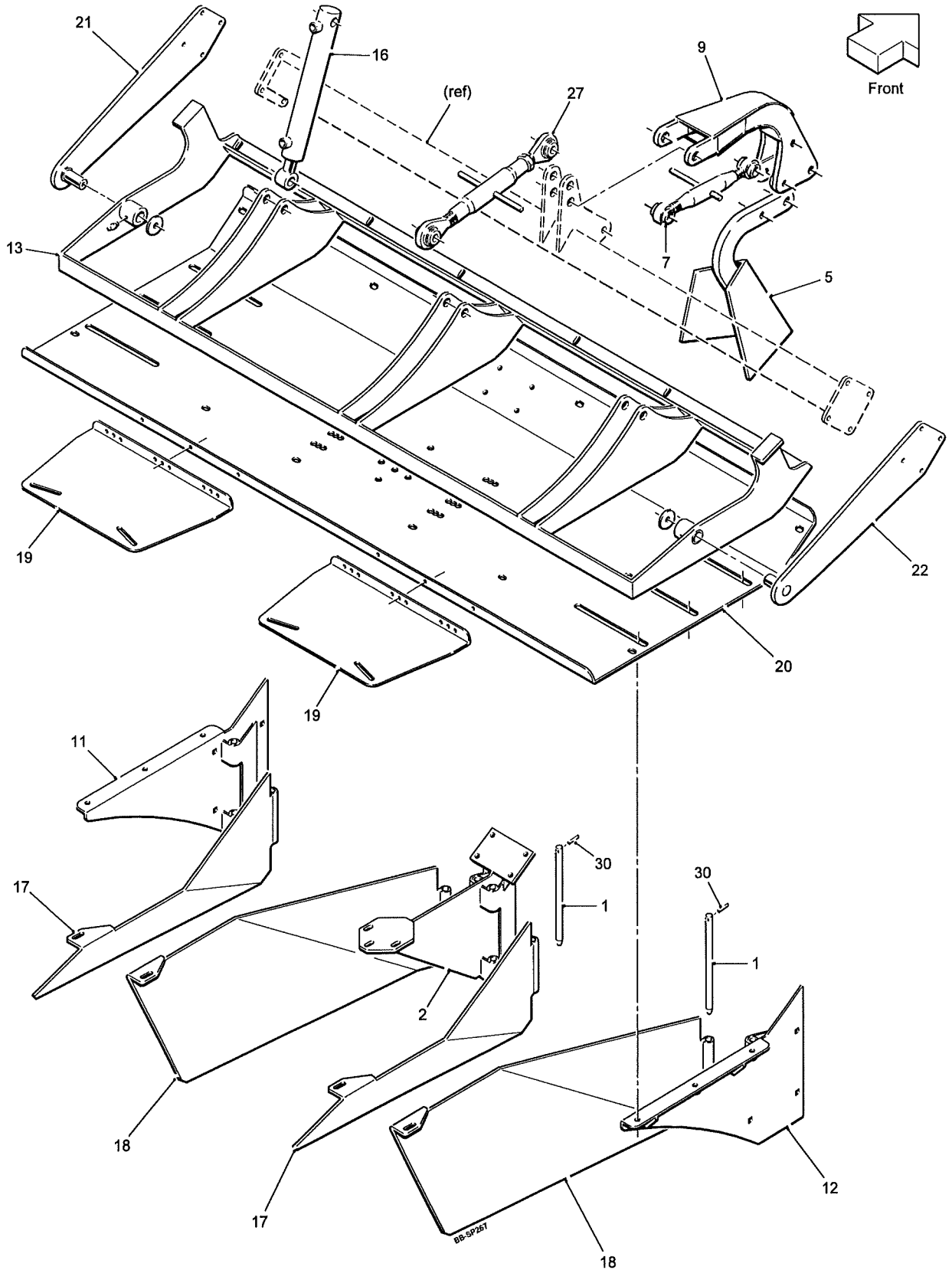
2.12a**SR SERIES PLANTER SPARE PARTS**

Machines from Serial No. SR2108

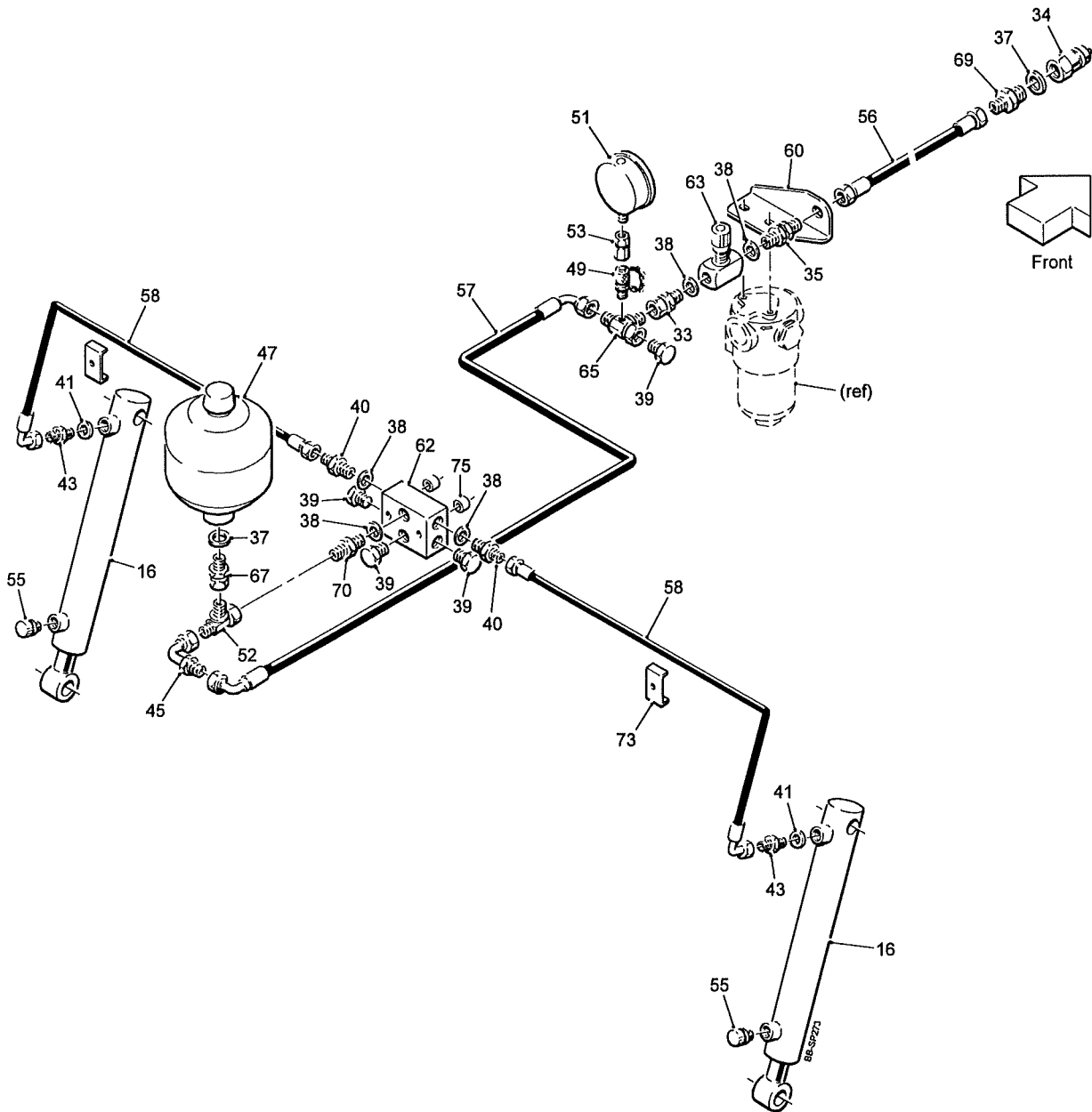
Parallel Linkage Tool Bar (for moulding board)

Item	Part No.	Description	Qty.	Remarks
1	52586	Pivot Sleeve (short)	4	
2				
3	54307	Parallel Linkage Arm	4	
4	54328	Pivot Sleeve (long)	4	
5	54324	Support Chain	2	
6				
7	65552	Clamp	4	
8	65553	Tool Bar	1	
9	65657	Clamp Bracket	2	
10	65661	Mounting Beam	1	
11				
12				
13	H171	Shackle	2	
14				
15	GS412	1/8"BSP Grease Nipple Straight	4	
16				
17	35083	1/8"BSP Grease Nipple 90°	4	

Adjustable Moulding Board
Assy No 65599



Adjustable Moulding Board
Assy No 65599



SR SERIES PLANTER SPARE PARTS

2.13b

Adjustable Moulding Board

Assy No 65599

Item	Part No.	Description	Qty.	Remarks
1	43650	Pivot Pin	4	
2	43766	Centre Bracket	1	
3				
4				
5	54265	Centre Plough Body	1	
6				
7	54327	Top Link Assembly	1	
8				
9	54449	Centre Plough Mounting Arm	1	
10				
11	65064	Side Mounting LH	1	
12	65065	Side Mounting RH	1	
13	65550	Top Frame	1	
14				
15				
16	65608	Hydraulic Ram	2	
17	65645	Moulding Board LH	2	
18	65646	Moulding Board RH	2	
19	65647	Top Plate Extension	2	
20	65648	Stainless Steel Top Plate	1	
21	65655	Pivot Arm LH	1	
22	65656	Pivot Arm RH	1	
23				
24				
25				
26				
27	KA20533	Top Link Assembly	1	
28				
29				
30	22067006/026	Ø6x26 Roll Pin	4	
		Hydraulic Components Consist Of:		
33	10128	3/8"BSP M F Swivel Adaptor	1	
34	10140	1/2"BSP Male Probe	1	
35	10466	3/8"BSP Bulkhead Adaptor	1	
36				
37	11124	1/2"BSP Dowty Seal	2	
38	11125	3/8"BSP Dowty Seal	5	
39	11293	3/8"BSP Blanking Plug	4	
40	11336	1/4"BSPx3/8"BSP M M Adaptor	2	
41	11337	1/4"BSP Dowty Seal	2	
42				
43	12316	1/4"BSP M M Adaptor	2	
44				
45	13189	3/8"BSP M F Swept 90° Adaptor	1	
46				
47	27845	Accumulator (50 BAR)	1	
48				
49	42305	Gauge Port	1	
50				
51	46458	Pressure Gauge	1	
52	46939	3/8"BSP FMM Tee	1	
53	46960	Pressure Gauge Adaptor	1	

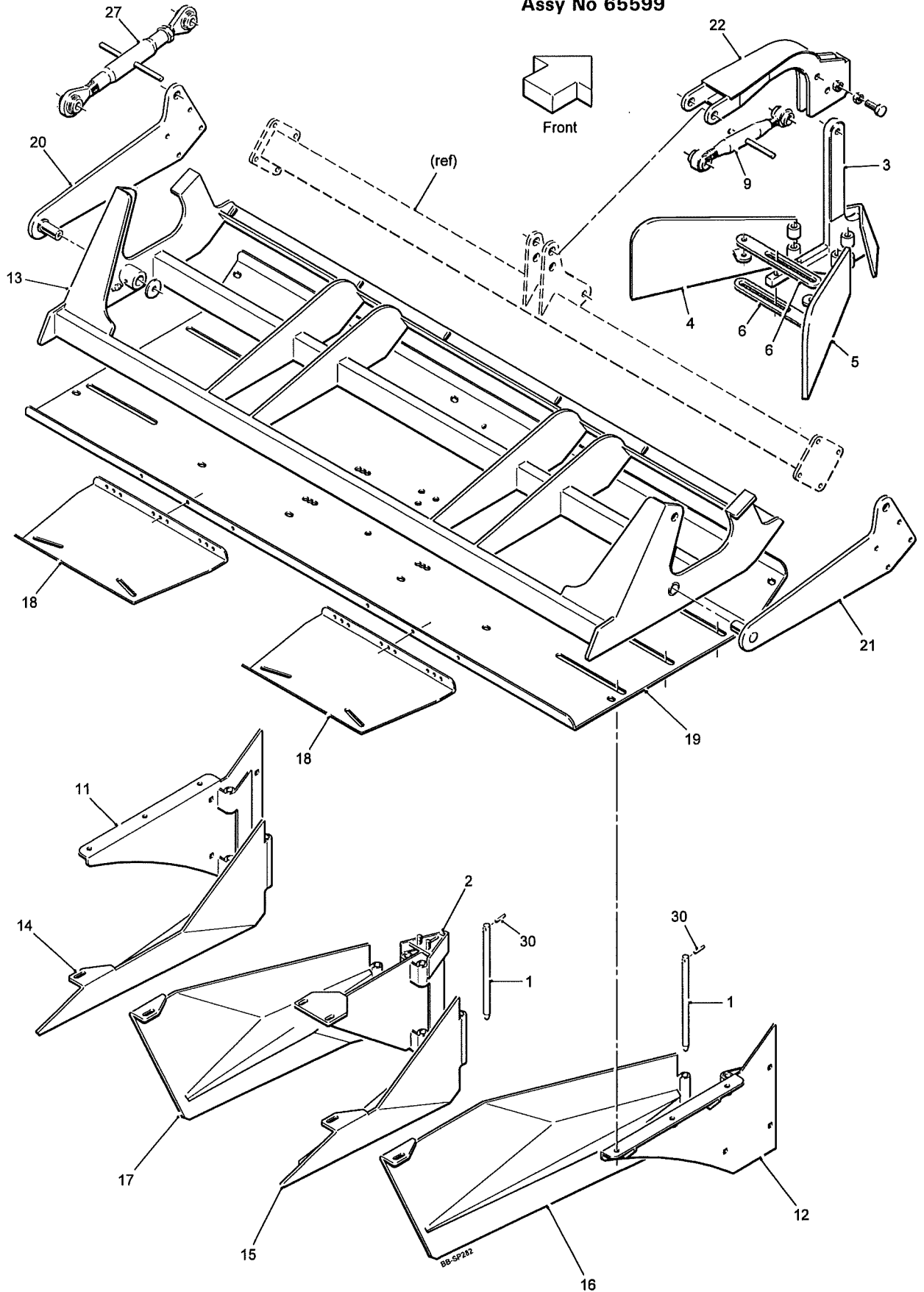
2.13c**SR SERIES PLANTER SPARE PARTS****Adjustable Moulding Board****Assy No 65599**

Item	Part No.	Description	Qty.	Remarks
54				
55	60370	1/4"BSP Breather	2	
56	71011	3/8"Hose Assembly (2030mm)	1	
57	60783	3/8"Hose Assembly (2100mm)	1	
58	71012	1/4"Hose Assembly (800mm)	2	
59				
60	65737	Gauge Mounting Plate	1	
61				
62	DW801992	Junction Block	1	
63	DW202009220	Tap	1	
64				
65	DWS443	3/8"BSP F M M Tee & Gauge Adaptor	1	
66				
67	KA17325	3/8"BSPF x1/2"BSPM Swivel Adaptor	1	
68				
69	UC25	3/8"BSPx1/2"BSP M M Adaptor	1	
70	UC31A	3/8"BSP M M Adaptor	1	
71				
72				
73	62401	Hose Clamp	2	
74				
75	SS016009/010	Steel Spacer	2	

Machines from Serial No. SR2106

Adjustable Moulding Board

Assy No 65599



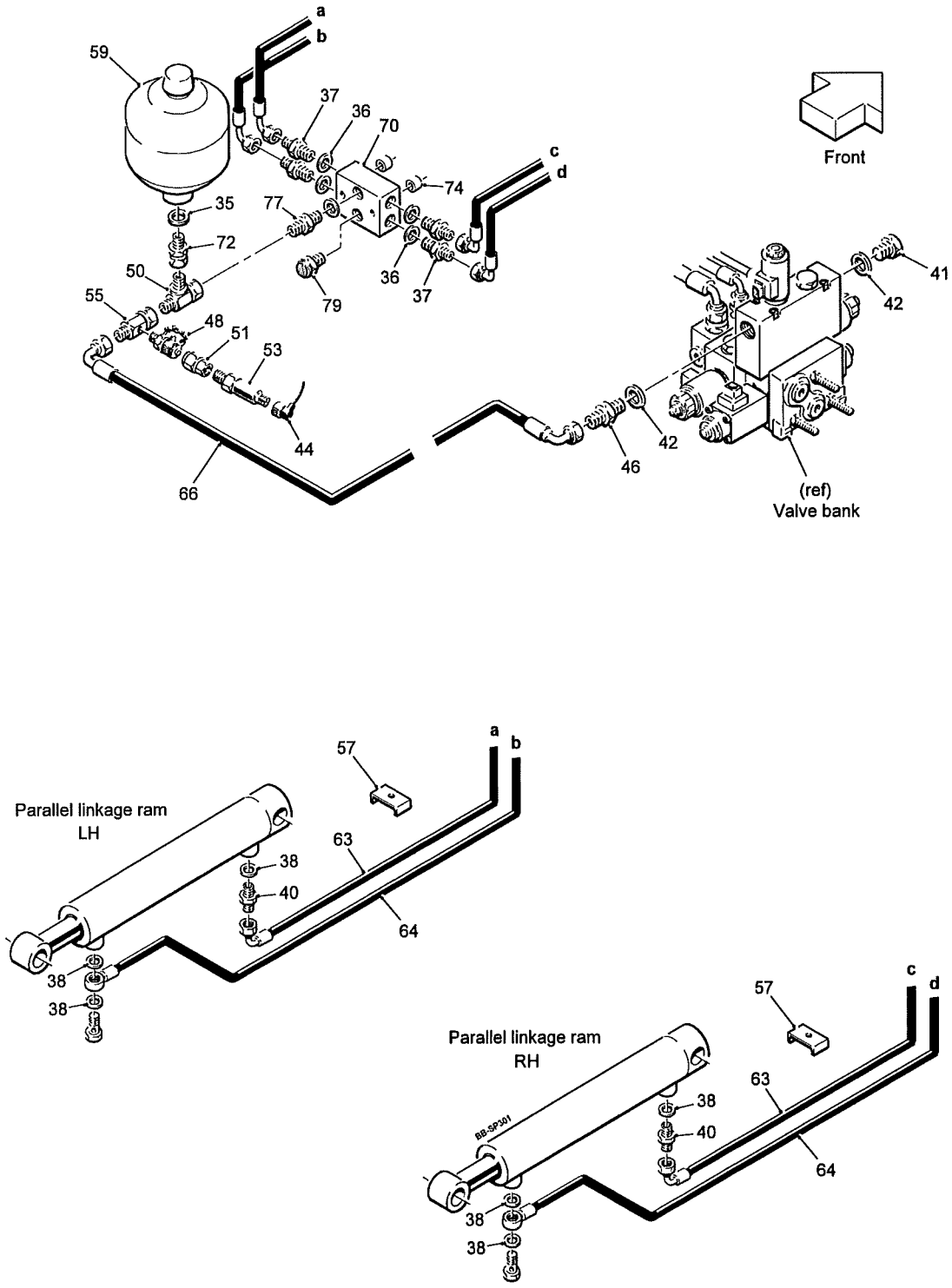
2.13a

SR SERIES PLANTER SPARE PARTS

Machines from Serial No. SR2106

Adjustable Moulding Board

Assy No 65599



SR SERIES PLANTER SPARE PARTS**2.13b**

Machines from Serial No. SR2106

Adjustable Moulding Board

Assy No 65599

Item	Part No.	Description	Qty.	Remarks
1	43650	Pivot Pin	4	
2	43766A	Centre Divider Bracket	1	
3	43808A	Ridger Body	1	
4	43809A	Ridger Wing LH	1	
5	43810A	Ridger Wing RH	1	
6	43829	Link	2	
7				
8				
9	54327	Top Link Assembly	1	
10				
11	65064	Side Mounting LH	1	
12	65065	Side Mounting RH	1	
13	65550	Top Frame	1	
14	65645	Moulding Board LH	1	
15	65645A	Moulding Board LH (short)	1	
16	65646	Moulding Board RH	1	
17	65646A	Moulding Board RH (short)	1	
18	65647	Top Plate Extension	2	
19	65648	Stainless Steel Top Plate	1	
20	65655	Pivot Arm LH	1	
21	65656	Pivot Arm RH	1	
22	65801	Centre Plough Arm	1	
23				
24				
25				
26				
27	KA20533	Top Link Assembly	2	
28				
29				
30	22067006/026	Ø6x26 Roll Pin	4	
		Hydraulic Components Consist Of:		
35	11124	1/2"BSP Dowty Seal	1	
36	11125	3/8"BSP Dowty Seal	5	
37	11336	1/4"BSPx3/8"BSP M M Adaptor	4	
38	11337	1/4"BSP Dowty Seal	6	
39				
40	12316	1/4"BSP M M Adaptor	2	
41	16454	M18 Blanking Plug	1	
42	27461	M18 Dowty Seal	2	
43				
44	32037/2	Sensor Cable 90° (5m)	1	
45				
46	37599	M18x3/8"BSP M M Adaptor	1	
47				
48	42305	Gauge Port	1	
49				
50	46939	3/8"BSP F M M Tee	1	
51	46960	Adaptor	1	
52				
53	51270	Pressure Transmitter	1	

2.13c**SR SERIES PLANTER SPARE PARTS**

Machines from Serial No. SR2106

Adjustable Moulding Board

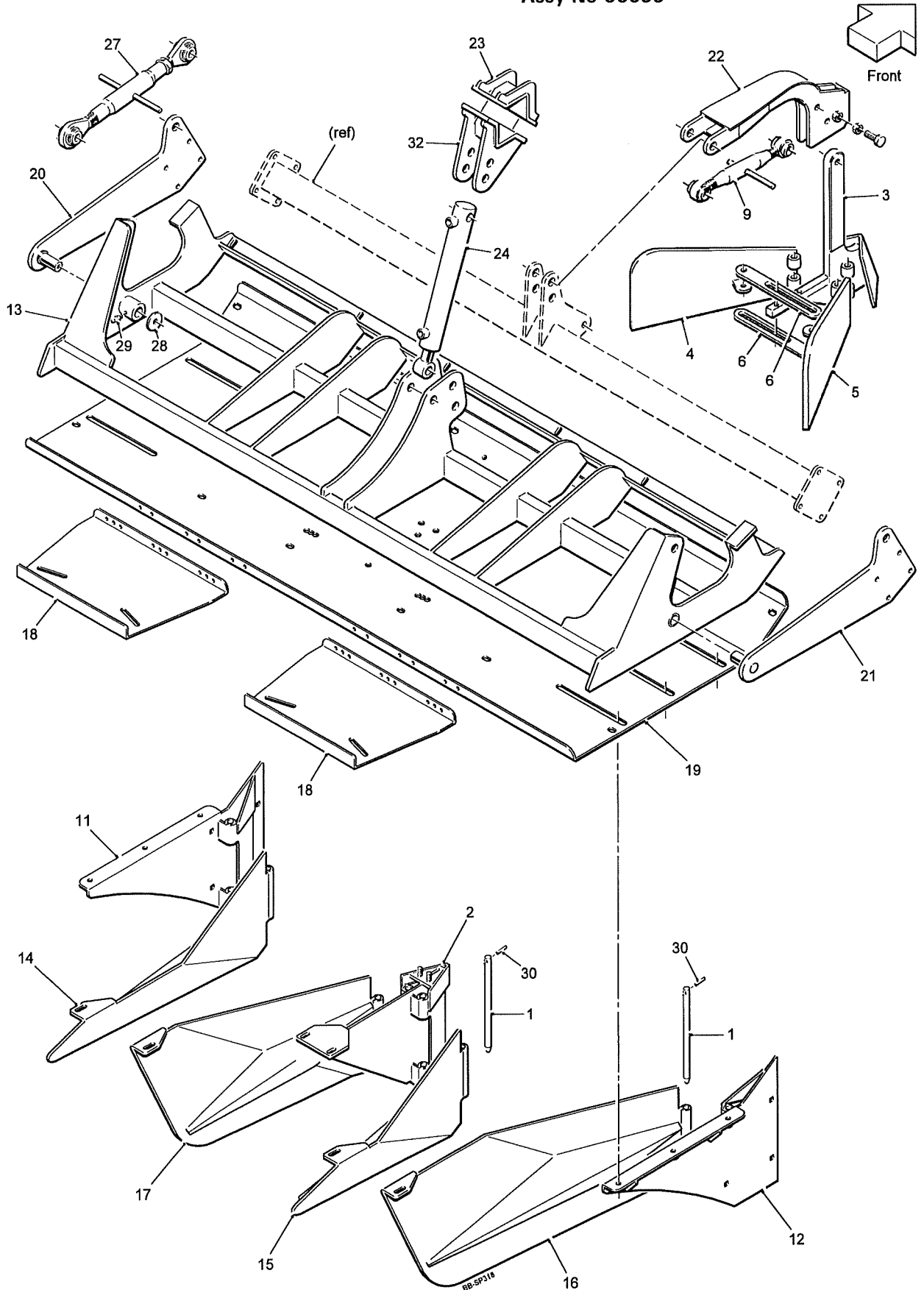
Assy No 65599

Item	Part No.	Description	Qty.	Remarks
54				
55	60161B	3/8"BSP M F c/w 1/8"BSP Port	1	
56				
57	62401	Hose Clamp	2	
58				
59	65810	Accumulator	1	
60				
61				
62				
63	71039	1/4"Hose Assembly (2000mm)	2	
64	71040	1/4"Hose Assembly (2150mm)	2	
65				
66	71042	3/8"Hose Assembly (3600mm)	1	
67				
68				
69				
70	DW801992	Junction Block	1	
71				
72	KA17325	3/8"BSPF x1/2"BSPM Swivel Adaptor	1	
73				
74	SS016009/010	Steel Spacer	2	
75				
76				
77	UC31A	3/8"BSP M M Adaptor	1	
78				
79	RPS332	3/8"BSP Breather	1	

Machines from Serial No. SR2108

Adjustable Moulding Board

Assy No 65599

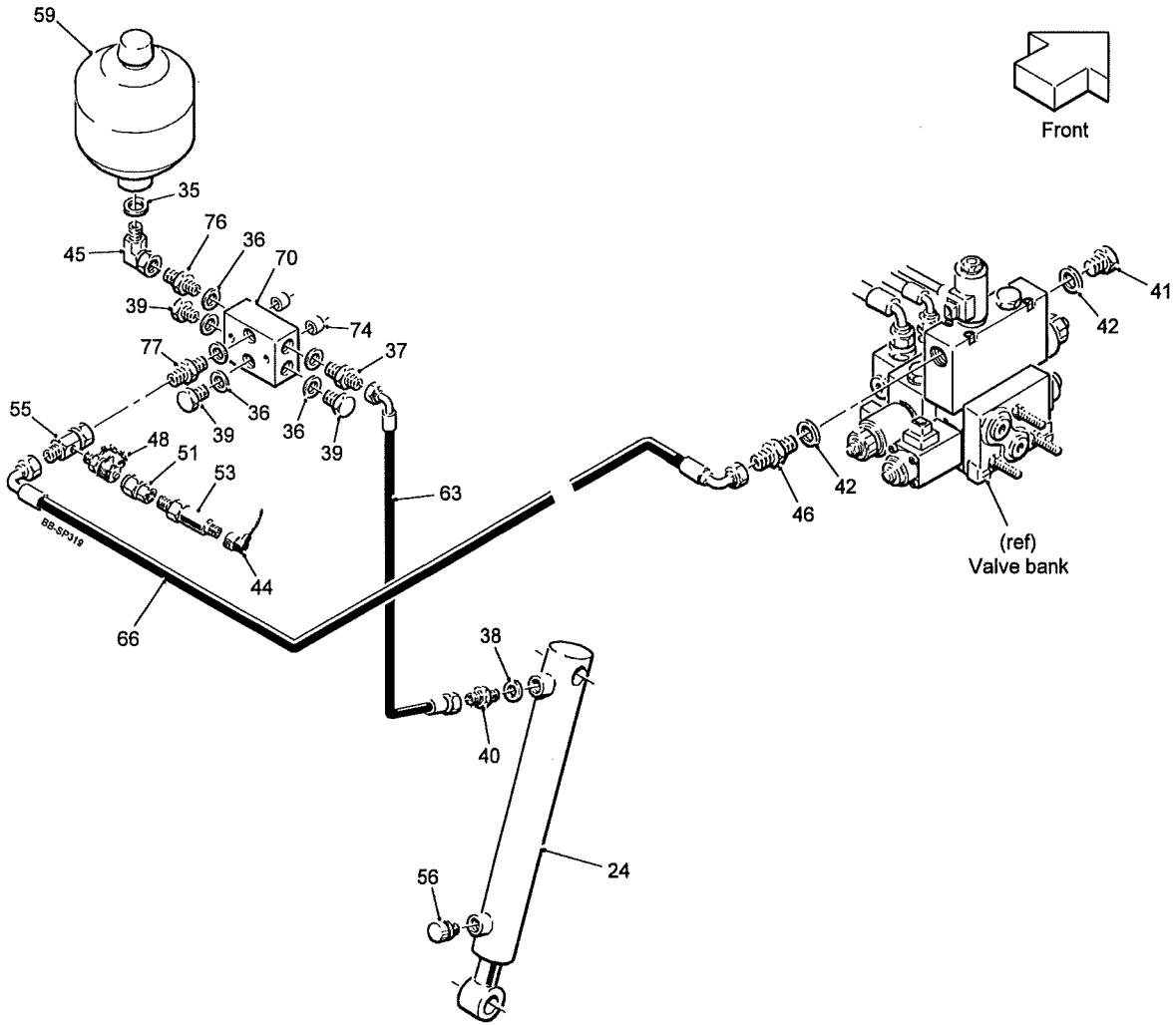


2.13a

SR SERIES PLANTER SPARE PARTS

Machines from Serial No. SR2108

Adjustable Moulding Board Assy No 65599



SR SERIES PLANTER SPARE PARTS**2.13b**

Machines from Serial No. SR2108

Adjustable Moulding Board**Assy No 65599**

Item	Part No.	Description	Qty.	Remarks
1	43650	Pivot Pin	4	
2	43766A	Centre Divider Bracket	1	
3	43808A	Ridger Body	1	
4	43809A	Ridger Wing LH	1	
5	43810A	Ridger Wing RH	1	
6	43829	Link	2	
7				
8				
9	54327	Top Link Assembly	1	
10				
11	65064	Side Mounting LH	1	
12	65065	Side Mounting RH	1	
13	65550	Top Frame	1	
14	65645	Moulding Board LH	1	
15	65645A	Moulding Board LH (short)	1	
16	65646	Moulding Board RH	1	
17	65646A	Moulding Board RH (short)	1	
18	65647	Top Plate Extension	2	
19	65648	Stainless Steel Top Plate	1	
20	65655	Pivot Arm LH	1	
21	65656	Pivot Arm RH	1	
22	65801	Centre Plough Arm	1	
23	65552	Clamp	1	
24	65608	Hydraulic Ram	1	
25				
26				
27	KA20533	Top Link Assembly	2	
28	SS040011/005	Steel Spacer	2	
29	RPC648.081252	M8 Grease Nipple 90°	2	
30	22067006/026	Ø6x26 Roll Pin	4	
31				
32	72008	Ram Bracket	1	
		Hydraulic Components Consist Of:		
35	11124	1/2"BSP Dowty Seal	1	
36	11125	3/8"BSP Dowty Seal	6	
37	11336	1/4"BSPx3/8"BSP M M Adaptor	1	
38	11337	1/4"BSP Dowty Seal	1	
39	11293	3/8"BSP Blanking Plug	3	
40	12316	1/4"BSP M M Adaptor	1	
41	16454	M18 Blanking Plug	1	
42	27461	M18 Dowty Seal	2	
43				
44	32037/2	Sensor Cable 90° (5m)	1	
45	32475	1/2"BSP M F Compact 90°Adaptor	1	
46	37599	M18x3/8"BSP M M Adaptor	1	
47				
48	42305	Gauge Port	1	
49				
50				
51	46960	Adaptor	1	
52				
53	51270	Pressure Transmitter	1	

2.13c**SR SERIES PLANTER SPARE PARTS**

Machines from Serial No. SR2108

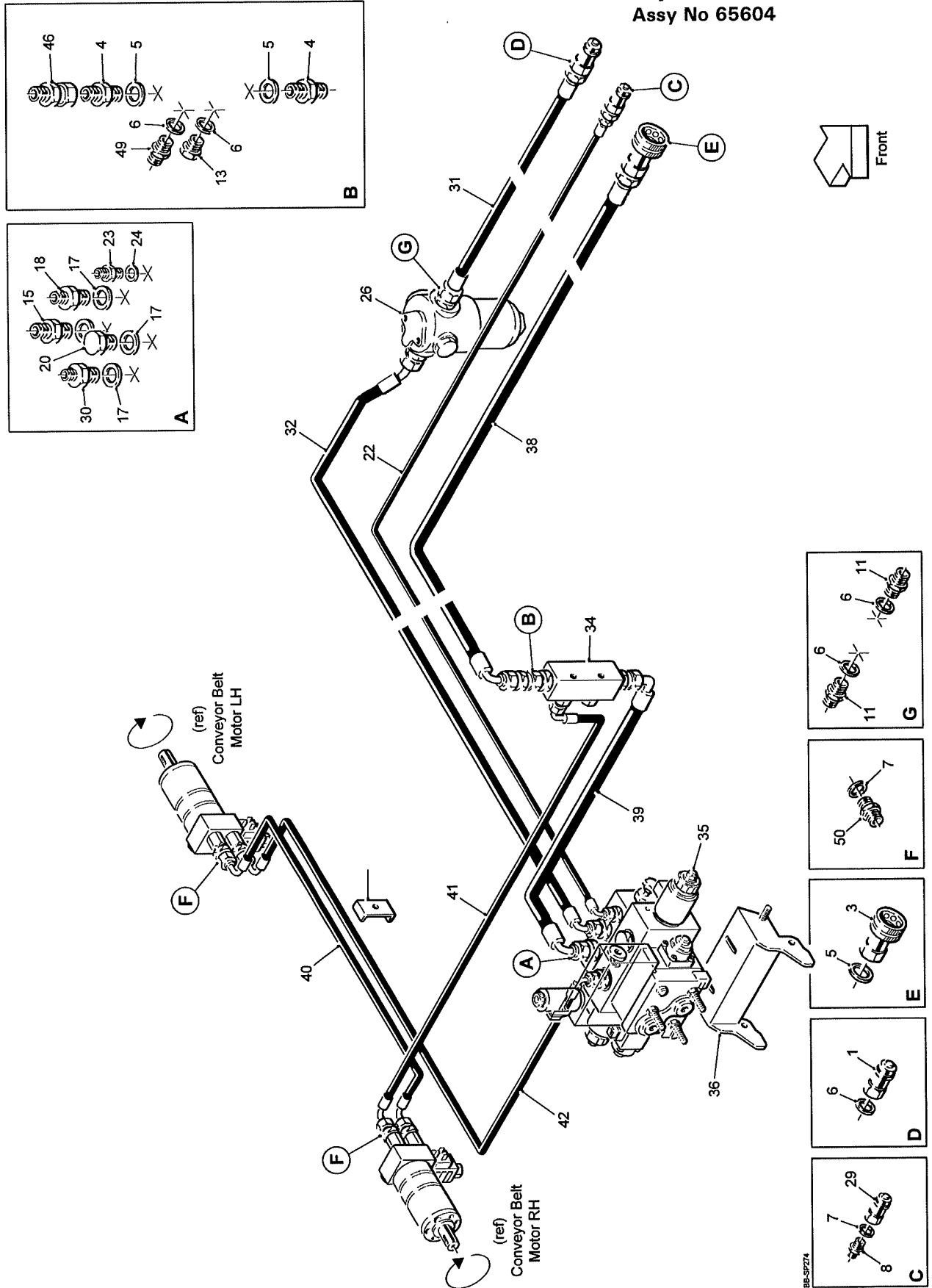
Adjustable Moulding Board

Assy No 65599

Item	Part No.	Description	Qty.	Remarks
54				
55	60161B	3/8"BSP M F c/w 1/8"BSP Port	1	
56	60370	1/4"BSP Breather	1	
57				
58				
59	65810	Accumulator	1	
60				
61				
62				
63	71012	1/4"Hose Assembly (800mm)	1	
64				
65				
66	71042	3/8"Hose Assembly (3600mm)	1	
67				
68				
69				
70	DW801992	Junction Block	1	
71				
72				
73				
74	SS016009/010	Steel Spacer	2	
75				
76	UC25	3/8"BSPx1/2"BSP M M Adaptor	1	
77	UC31A	3/8"BSP M M Adaptor	1	

Hydraulic Assembly

Assy No 65604



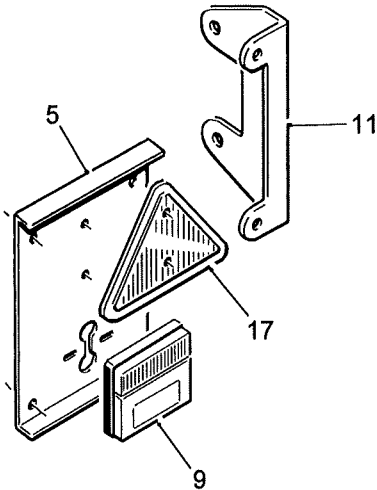
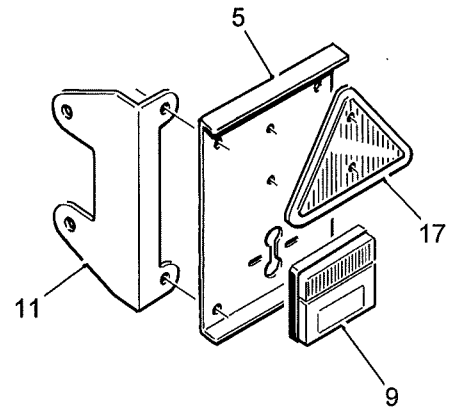
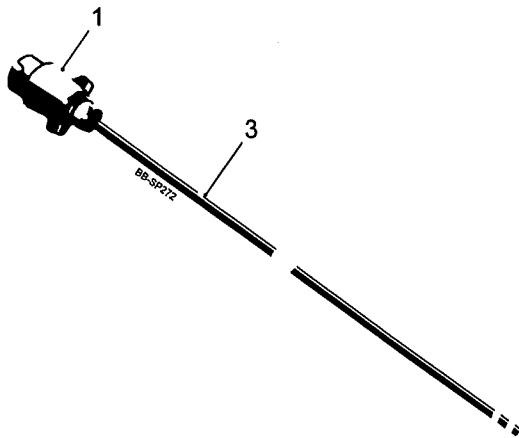
BB-SP274

2.17a**SR SERIES PLANTER SPARE PARTS****Hydraulic Assembly**

Assy No 65604

Item	Part No.	Description	Qty.	Remarks
1	10140	1/2"BSP Male Probe	1	
2				
3	11108A	3/4"BSP Female Probe	1	
4	11115	3/4"BSP M M Adaptor	2	
5	11123	3/4"BSP Dowty Seal	3	
6	11124	1/2"BSP Dowty Seal	5	
7	11125	3/8"BSP Dowty Seal	5	
8	11336	1/4"BSPx3/8"BSP M M Adaptor	1	
9				
10				
11	12315	1/2"BSP M M Adaptor	2	
12				
13	24383	1/2"BSP Blanking Plug	1	
14				
15	27904	M22x3/4"BSP M M Adaptor	1	
16				
17	31167	M22 Dowty Seal	4	
18	31168	M22x1/2"BSP M M Adaptor	1	
19				
20	37606	M22 Blanking Plug	1	
21				
22	44111	1/4"Hose Assembly (4800mm)	1	
23	44207	M14x1/4"BSP M M Adaptor	1	
24	44208	M14 Dowty Seal	1	
25				
26	54289	Pressure Filter Complete	1	
27				
28				
29	60166	3/8"BSP Male Probe	1	
30	60717	M22x3/8"BSP M M Adaptor	1	
31	60880	1/2"Hose Assembly (2000mm)	1	
32	60910	1/2"Hose Assembly (2650mm)	1	
33				
34	65587	Return Manifold	1	
35	65605	Valve Bank Assembly	1	
36	65809	Mounting Bracket	1	
37				
38	71004	3/4"Hose Assembly (4200mm)	1	
39	71006	3/4"Hose Assembly (1100mm)	1	
40	71008	3/8"Hose Assembly (1400mm)	1	
41	71009	3/8"Hose Assembly (1400mm)	1	
42	71010	3/8"Hose Assembly (2750mm)	1	
43				
44				
45				
46	TBMW338	3/4"BSP M F Swivel Sdaptor	1	
47				
48				
49	UC25	3/8"BSPx1/2"BSP M M Adaptor	1	
50	UC31A	3/8"BSP M M Adaptor	4	

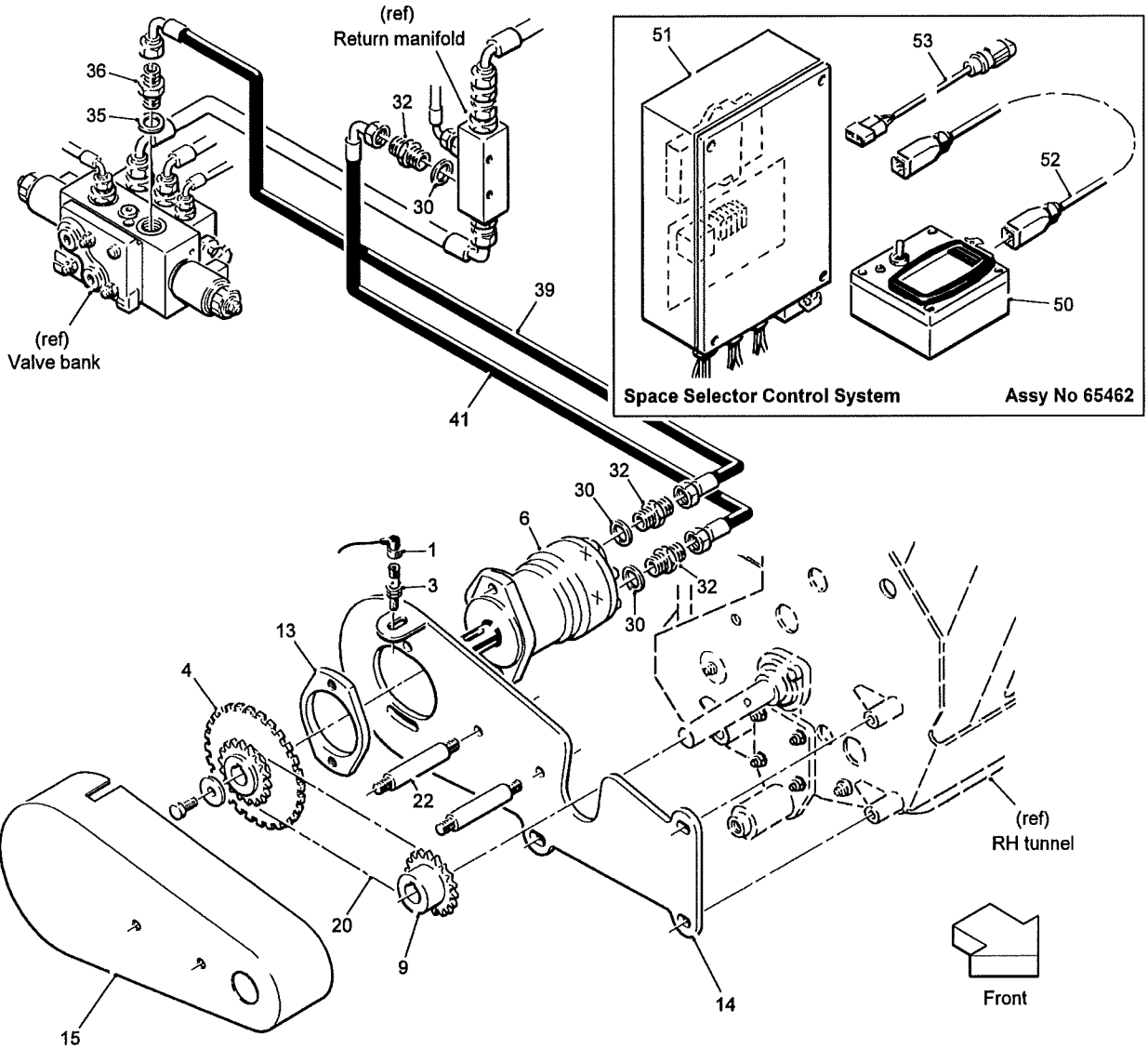
Road Lights
Assy No 65601



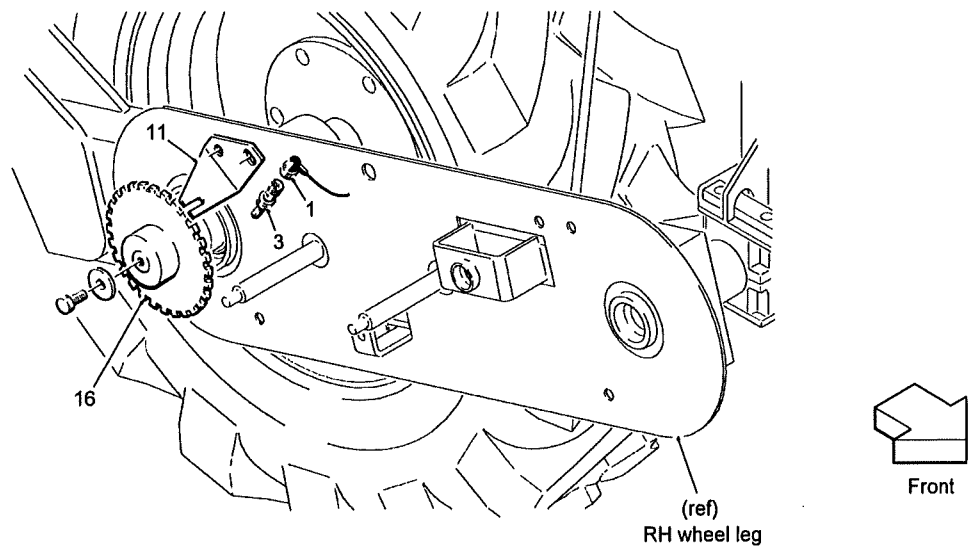
2.20a**SR SERIES PLANTER SPARE PARTS****Road Lights****Assy No 65601**

Item	Part No.	Description	Qty.	Remarks
1	10134	7-Pin Plug	1	
2				
3	11369	7-Core Cable	4m	
4				
5	46438	Light Mounting Plate	2	
6				
7	51703	4-Core Cable	6m	(not shown)
8				
9	62217A	LED Rear Light	2	
10				
11	65554	Light Bracket	2	
12				
13				
14				
15				
16				
17	RPE272.307748	Reflector Triangle	2	

Automatic Space Selector Assy No 65592



BB-SP268

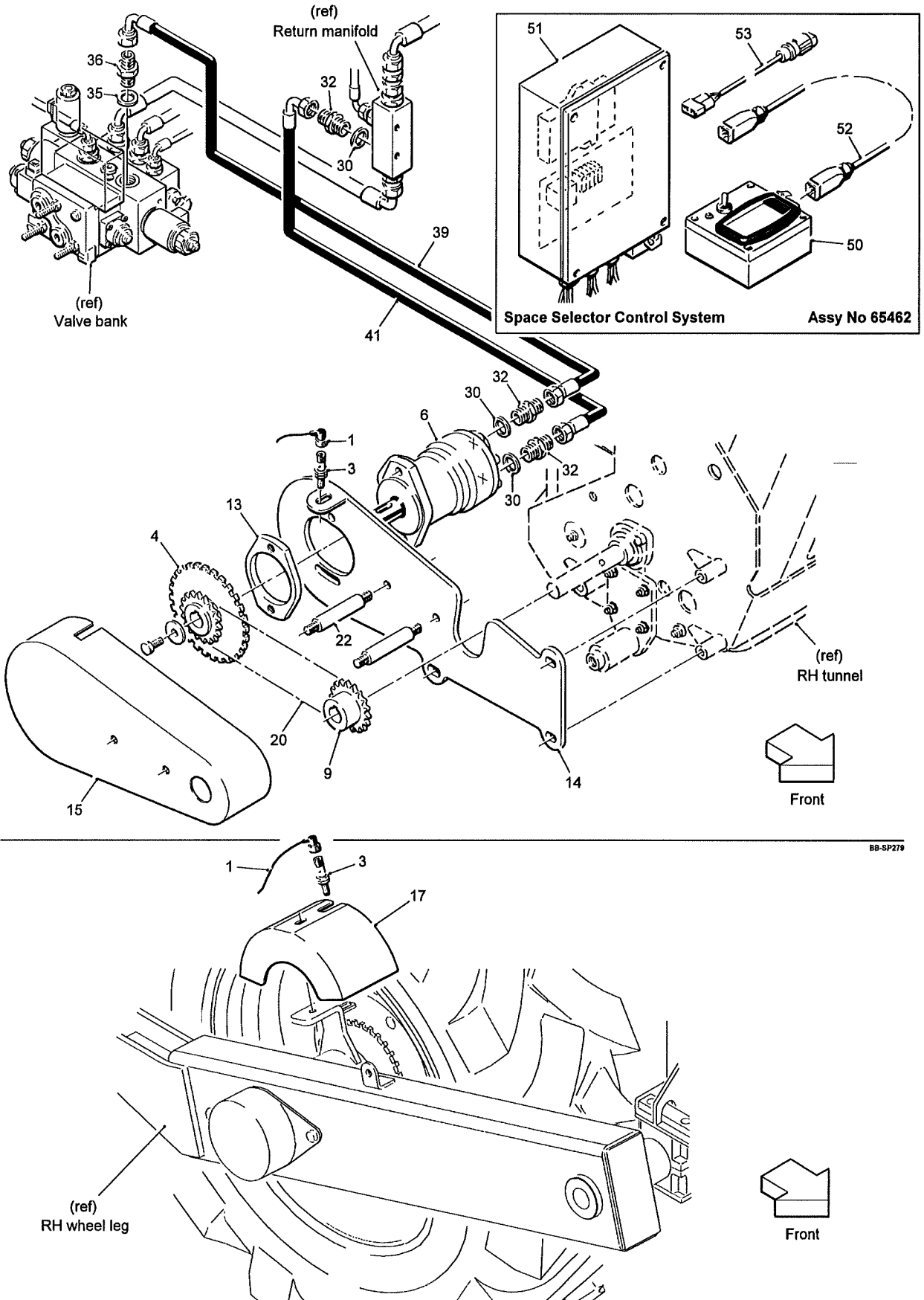


2.22a**SR SERIES PLANTER SPARE PARTS****Automatic Space Selector****Assy No 65592**

Item	Part No.	Description	Qty.	Remarks
1	32037/2	Sensor Cable 90° (5m)	2	
2				
3	36124	Proximity Sensor	2	
4	36131A	Sensor Wheel & Sprocket	1	
5				
6	59803A	Hydraulic Motor 125cc (end port)	1	
	37898	Hydraulic Motor (side port)	1	
	46855RP	Hydraulic Motor 200cc (end port)	1	
7				
8				
9	43120	18T 1/2"Pitch Sprocket	1	
10				
11	52127	Sensor Bracket	1	
12				
13	65134	Motor Clamp Plate	1	
14	65559	Motor Mounting	1	
15	65560	Chain Guard	1	
16	65575	Sensor Wheel	1	
17				
18				
19				
20	PH526/62	1/2"Pitch Drive Chain	1	
21				
22	SP279M	Guard Bolt	2	
		Hydraulic Components Consist Of:		
30	11124	1/2"BSP Dowty Seal	3	
31				
32	12315	1/2"BSP M M Adaptor	3	
33				
34				
35	31167	M22 Dowty Seal	1	
36	31168	M22x1/2"BSP M M Adaptor	1	
37				
38				
39	51537	1/2"Hose Assembly (1700mm)	1	
40				
41	71007	1/2"Hose Assembly (2450mm)	1	
	65462	Space Selector Control System Consists Of:		
50	65458	Touch Screen Control Box	1	
51	65459	Distribution Box	1	
52	65460	Link Loom	1	
53	65461	Power Lead	1	
54	65636	Depth Loom	1	(not shown)

Machines from Serial No. SR2106

Automatic Space Selector Assy No 65592



BB-SP279

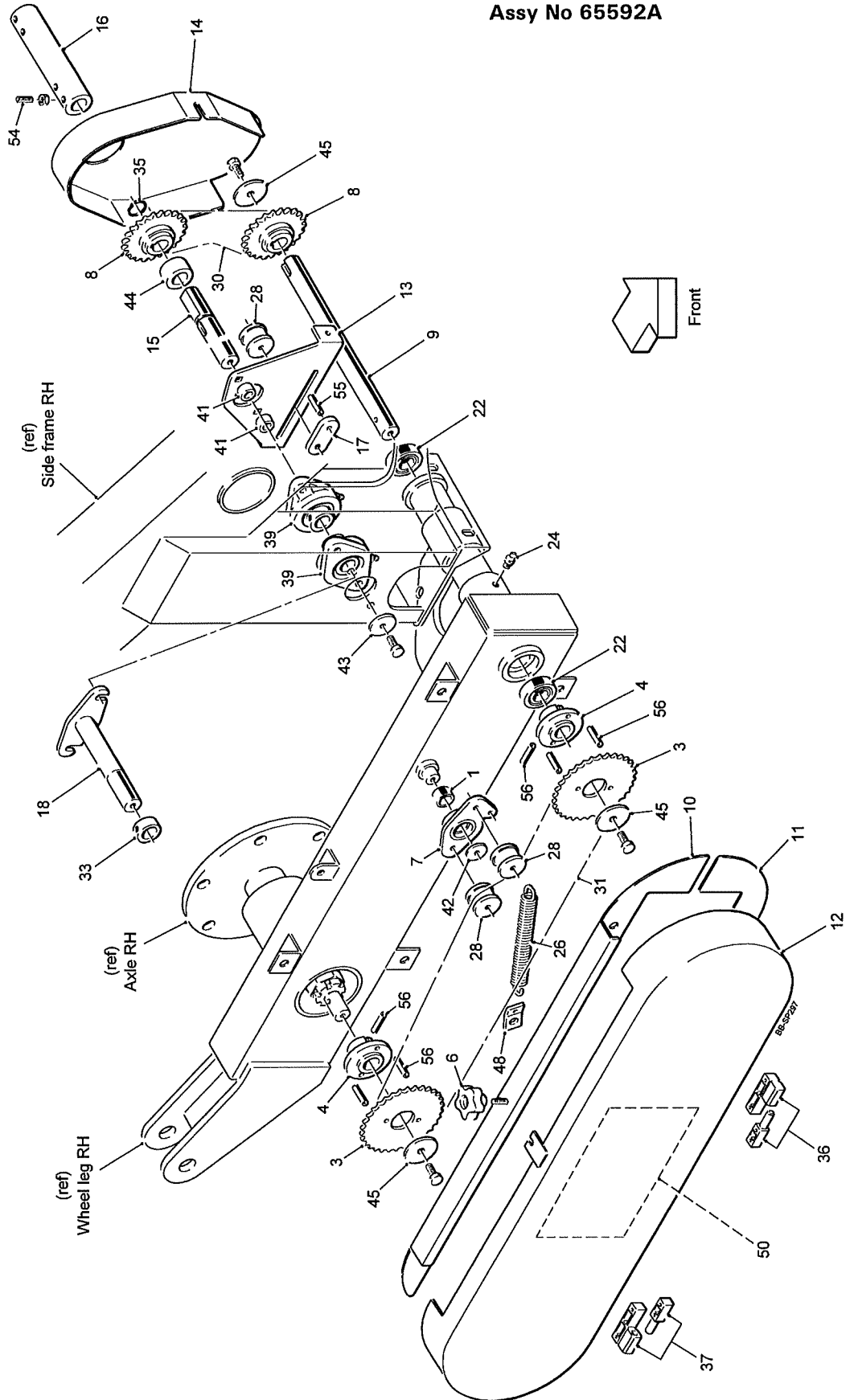
2.22a**SR SERIES PLANTER SPARE PARTS**

Machines from Serial No. SR2106

Automatic Space Selector**Assy No 65592**

Item	Part No.	Description	Qty.	Remarks
1	32037/2	Sensor Cable 90° (5m)	2	
2				
3	36124	Proximity Sensor	2	
4	36131A	Sensor Wheel & Sprocket	1	
5				
6	46855RP	Hydraulic Motor 200cc (end port)	1	
7				
8				
9	43120	18T 1/2"Pitch Sprocket	1	
10				
11				
12				
13	65134	Motor Clamp Plate	1	
14	65559	Motor Mounting	1	
15	65560	Chain Guard	1	
16				
17	65793	Sensor Guard	1	
18				
19				
20	PH526/62	1/2"Pitch Drive Chain	1	
21				
22	SP279M	Guard Bolt	2	
30	11124	Hydraulic Components Consist Of: 1/2"BSP Dowty Seal	3	
31				
32	12315	1/2"BSP M M Adaptor	3	
33				
34				
35	31167	M22 Dowty Seal	1	
36	31168	M22x1/2"BSP M M Adaptor	1	
37				
38				
39	51537	1/2"Hose Assembly (1700mm)	1	
40				
41	71007	1/2"Hose Assembly (2450mm)	1	
	65462	Space Selector Control System Consists Of:		
50	65458	Touch Screen Control Box	1	
51	65459	Distribution Box	1	
52	65460	Link Loom	1	
53	65461	Power Lead	1	
54	65636	Depth Loom	1	(not shown)

Manual Space Selector
Assy No 65592A



2.23a

SR SERIES PLANTER SPARE PARTS

Manual Space Selector

Assy No 65592A

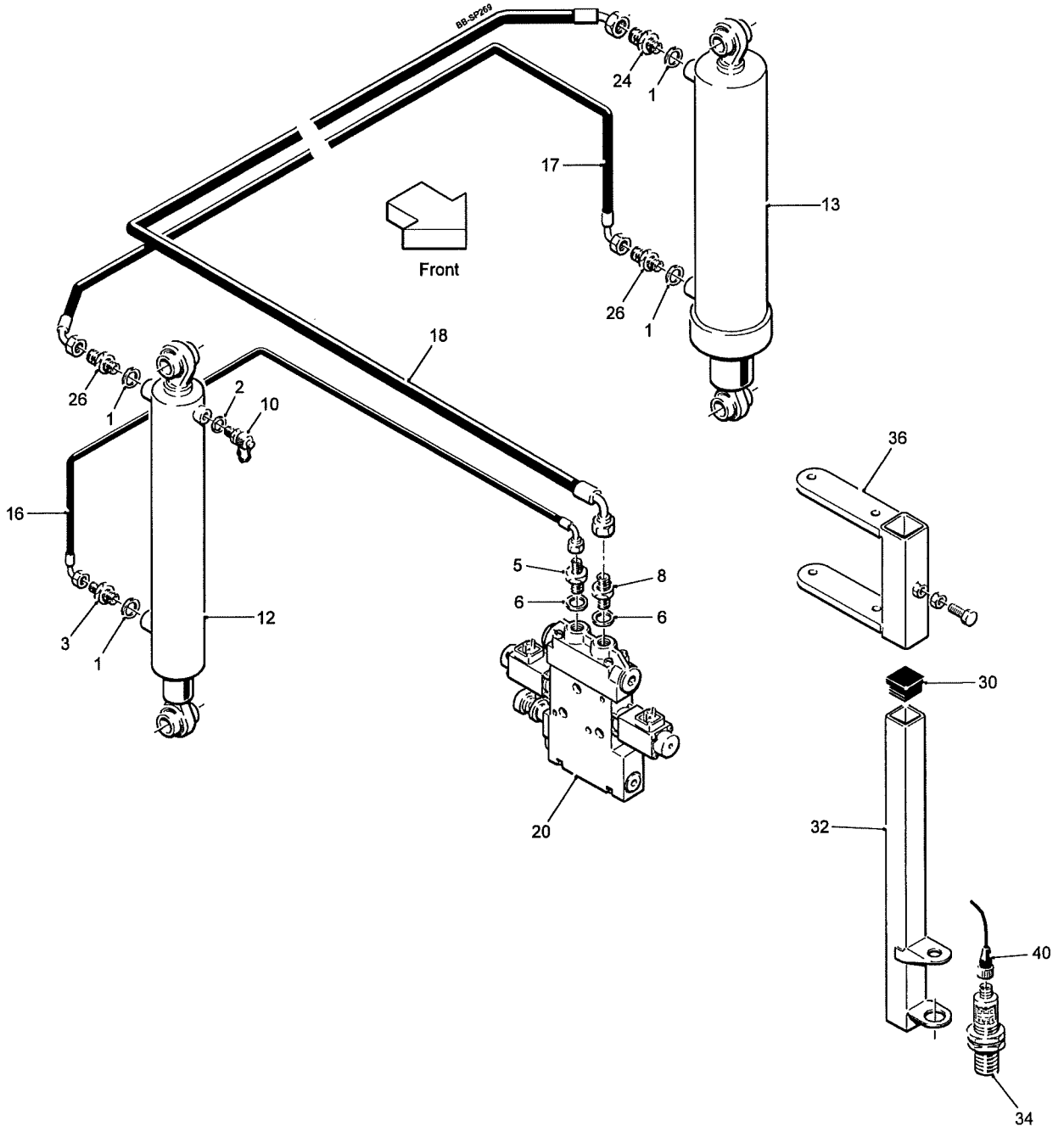
Item	Part No.	Description	Qty.	Remarks
1	11767	Oilite Bush	1	
2				
3	36007/20	20T 1/2"Pitch Sprocket	1	
	36007/21	21T 1/2"Pitch Sprocket	2	
	36007/23	23T 1/2"Pitch Sprocket	1	
	36007/24	24T 1/2"Pitch Sprocket	1	
	36007/26	26T 1/2"Pitch Sprocket	1	
	36007/27	27T 1/2"Pitch Sprocket	1	
	36007/30	30T 1/2"Pitch Sprocket	1	
	36007/32	32T 1/2"Pitch Sprocket	1	
	36007/36	36T 1/2"Pitch Sprocket	1	
	36007/40	40T 1/2"Pitch Sprocket	1	
	36007/42	42T 1/2"Pitch Sprocket	1	
	36007/46	46T 1/2"Pitch Sprocket	1	
	36007/52	52T 1/2"Pitch Sprocket	1	
	36008/18	18T 1/2"Pitch Sprocket	1	
4	36009	Drive Boss	2	
5				
6	65126	M8 Knob	1	
7	65879	Jockey Arm	1	
8	65885	23T 1/2"Pitch Sprocket	2	
9	65886	Drive Shaft (bottom)	1	
10	65888	Guard Backplate (top)	1	
11	65889	Guard Backplate (bottom)	1	
12	65890	Drive Guard	1	
13	65892	Chain Tensioner Bracket	1	
14	65893	Drive Guard	1	
15	65894	Drive Shaft (top)	1	
16	65895	Drive Sleeve	1	
17	65896	Lock Plate	1	
18	65898	Sprocket Stowage Arm	1	
19				
20				
21				
22	6005RS	Bearing	2	
23				
24	RPC648.081250	M8 Grease Nipple Straight	1	
25				
26	H121B	Tension Spring	1	
27				
28	JK63144	Tension Roller	3	
29				
30	PH526/56	1/2"Pitch Drive Chain	1	
31	PH526/140	1/2"Pitch Drive Chain	1	
32				
33	PS488M	Locking Collar	1	
34				
35	RPF200.05200	Ø25 External Circlip	1	
36	RPGMRPB99.03510	Hinge Assembly	1	
37	RPGMRPB99.03511	Hinge Assembly	1	
38				
39	SFT25	Bearing	2	
40				

SR SERIES PLANTER SPARE PARTS**2.23b****Manual Space Selector****Assy No 65592A**

Item	Part No.	Description	Qty.	Remarks
41	SS025017/010	Steel Spacer	2	
42	SS030009/003	Steel Spacer	1	
43	SS040009/003	Steel Spacer	1	
44	SS040026/020	Steel Spacer	1	
45	SS050009/003	Steel Spacer	3	
46				
47				
48	TBM83	Spring Anchor	1	
49				
50	TR575	Decal (drive ratios)	1	
51				
52				
53				
54	22018010/025	M10x25 Grub Screw	4	
55	22067008/030	Ø8x30 Roll Pin	1	
56	22110060/036	Ø6x36 Roll Pin	6	



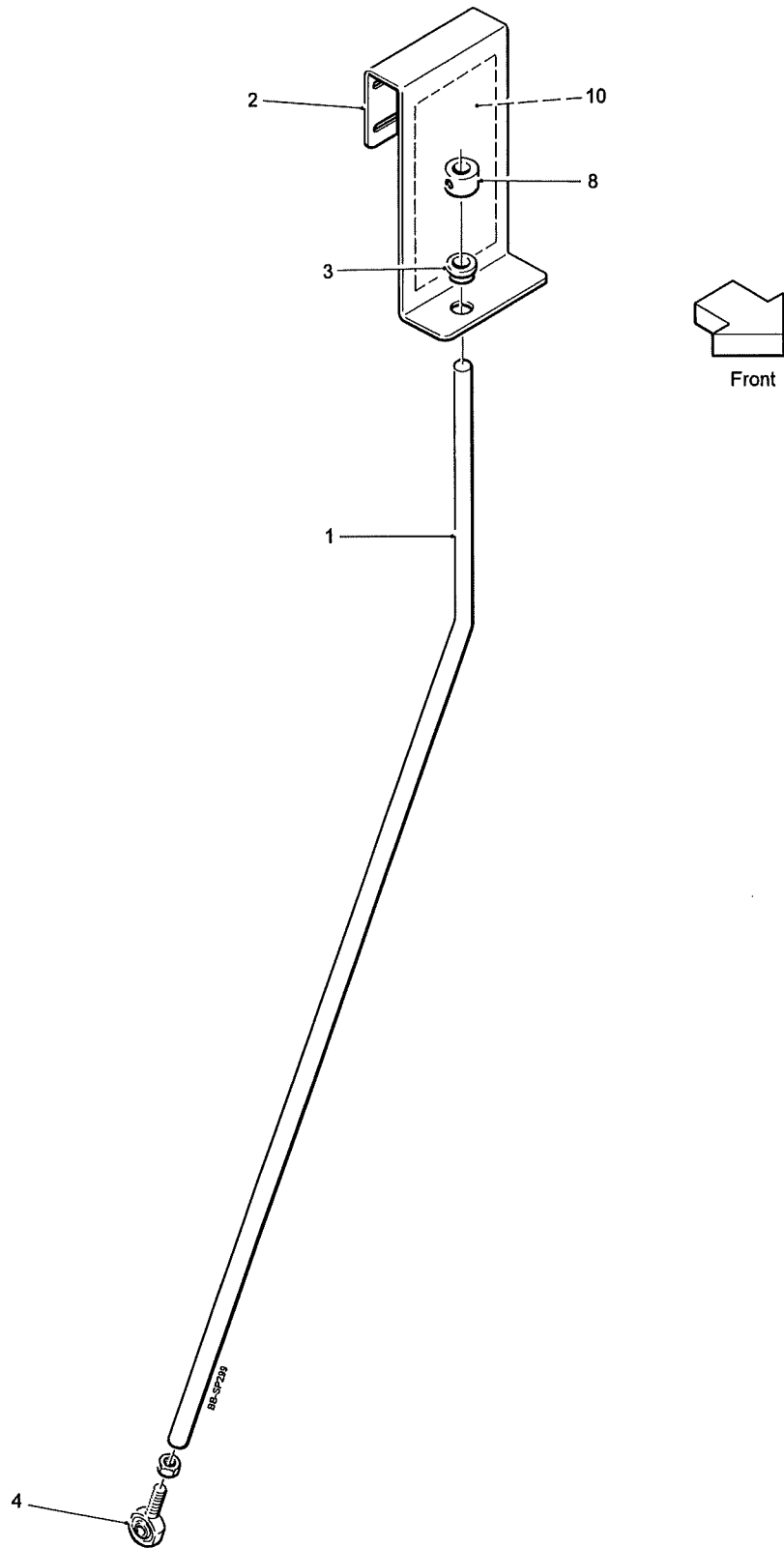
Rear Hydraulic Depth Control
Assy No 65685



2.24a**SR SERIES PLANTER SPARE PARTS****Rear Hydraulic Depth Control****Assy No 65685**

Item	Part No.	Description	Qty.	Remarks
1	11125	3/8"BSP Dowty Seal	4	
2	11294	1/8"BSP Dowty Seal	1	
3	11336	1/4"BSPx3/8"BSP M M Adaptor	1	
4				
5	27460	M18x1/4"BSP M M Adaptor	1	
6	27461	M18 Dowty Seal	2	
7				
8	37368	M18x3/4"BSP M M Adaptor	1	
9				
10	42305	1/8"BSP Gauge Port	1	
11				
12	43941	Hydraulic Ram (RH)	1	
13	43942	Hydraulic Ram (LH)	1	
14				
15				
16	60513	1/4"Hose Assembly (1035mm)	1	
17	60211	1/2"Hose Assembly (2980mm)	1	
18	71005	5/8"Hose Assembly (3100mm)	1	
19				
20	65003	Depth Control Valve Section	1	
21				
22				
23				
24	SPCT7	3/8"BSPx3/4"BSP M M Adaptor	1	
25				
26	UC25	3/8"BSPx1/2"BSP M M Adaptor	2	
27				
28				
29				
30	27159	Plastic Insert (40x40)	1	
31				
32	54924	Sensor Leg	1	
33				
34	62767	Ultrasonic Sensor	1	
35				
36	65166	Mounting Bracket	1	
37				
38				
39				
40	JK63720/2	Sensor Cable (5m)	1	

Depth Indicator
Assy No 65814

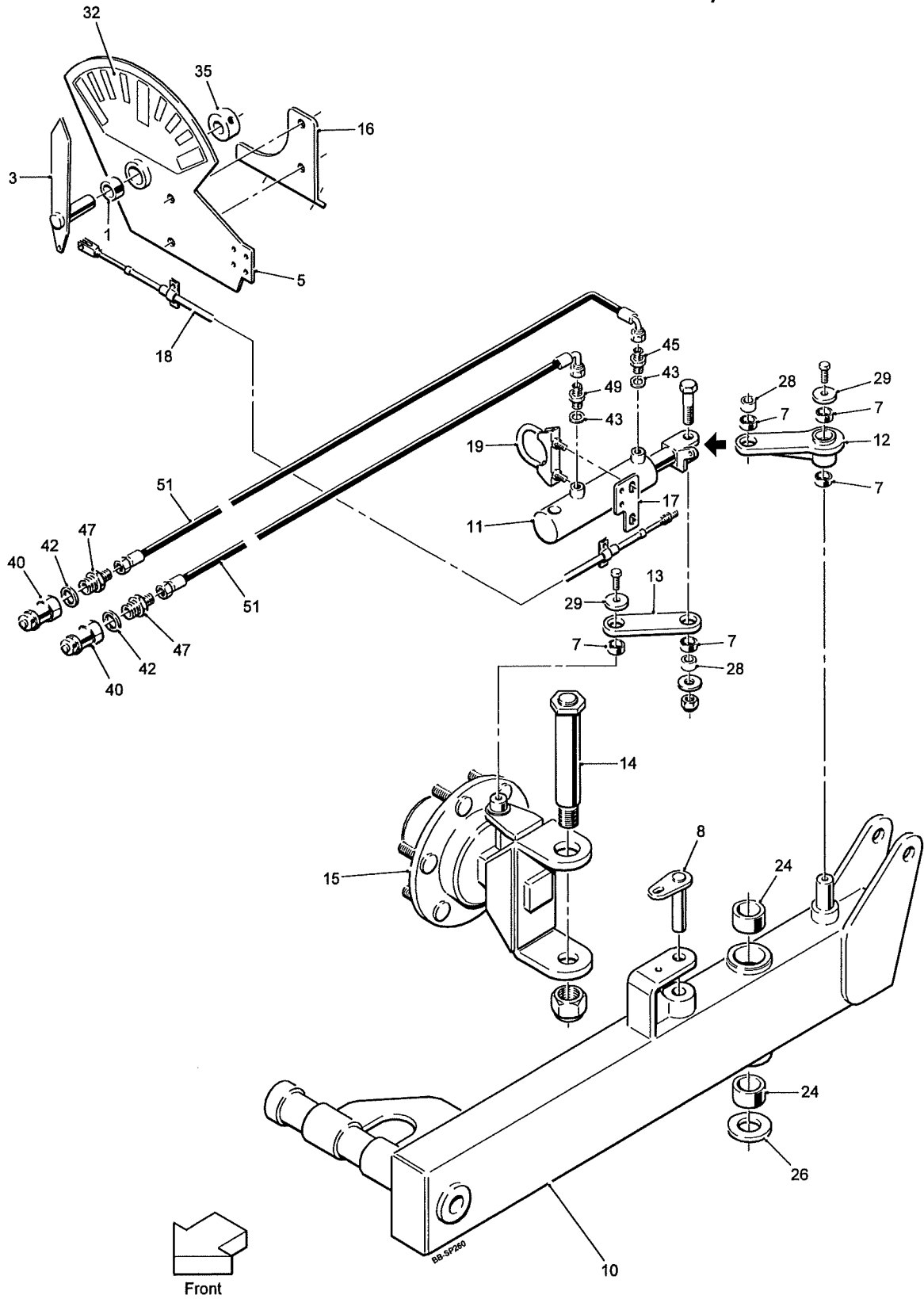


2.25a**SR SERIES PLANTER SPARE PARTS****Depth Indicator****Assy No 65814**

Item	Part No.	Description	Qty.	Remarks
1	65811	Indicator Rod	1	
2	65812	Indicator Plate	1	
3	65813	Bush	1	
4	65817	M10 Male Rod Eye	1	
5				
6				
7				
8	DWS158	Collar	1	
9				
10	TR578	Depth Decal	1	

LH Steerable Wheel

Assy No 65691



2.26a

SR SERIES PLANTER SPARE PARTS

LH Steerable Wheel

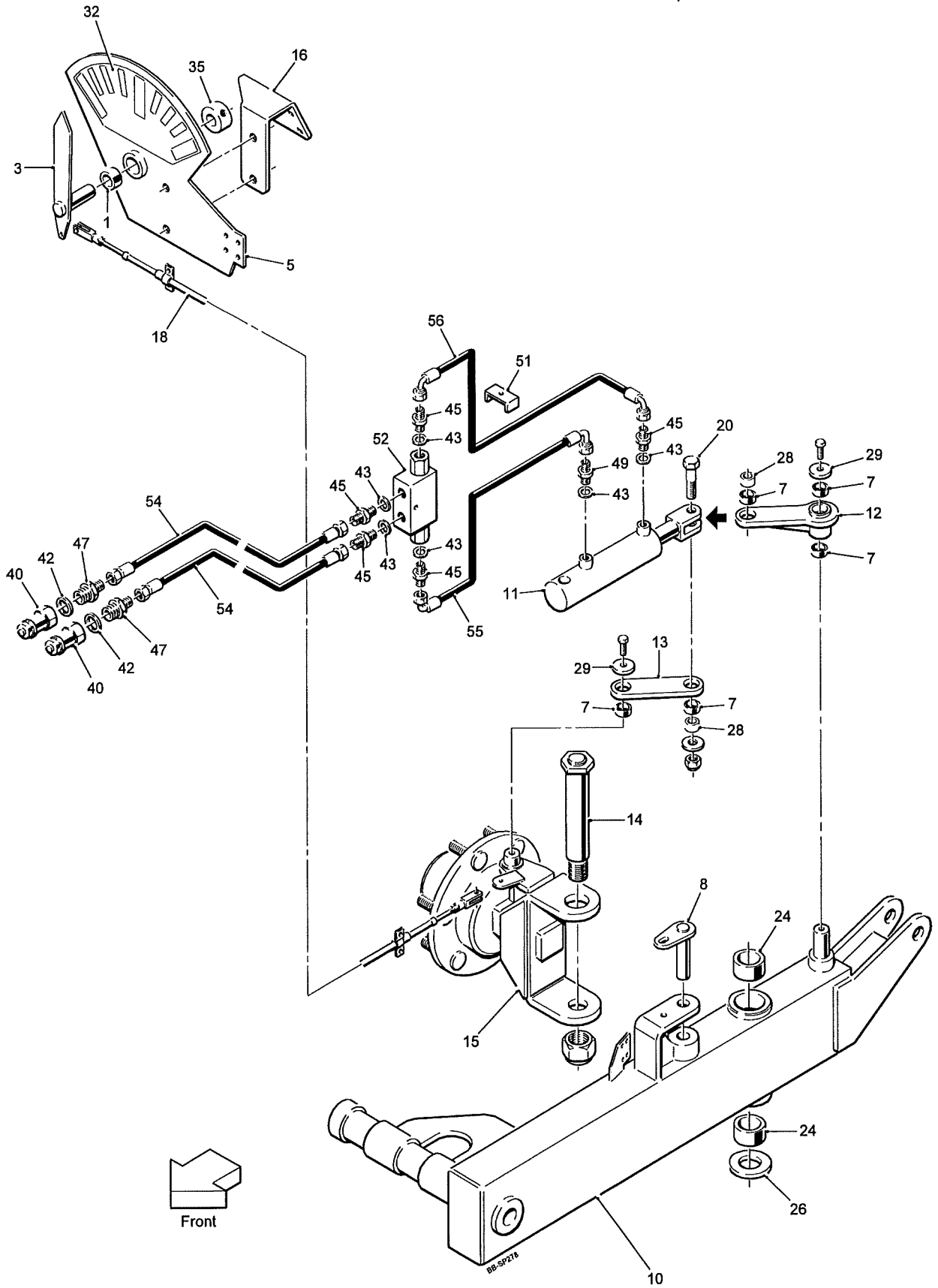
Assy No 65691

Item	Part No.	Description	Qty.	Remarks
1	12120	Oillite Bush	1	
2				
3	41062	Pointer	1	
4				
5	43589	Indicator Plate	1	
6				
7	54114	Bush	5	
8	54676	Ram Pin	1	
9				
10	65543A	Steerable Wheel Leg	1	
11	65686	Hydraulic Ram	1	
12	65687	Link Arm	1	
13	65688	Lower Link (117mm centres)	1	
14	65689	Axle Pivot Pin	1	
15	65690	Axle Complete	1	
16	65692	Indicator Plate Mounting	1	
17	65693	Cable Mounting Plate	1	
18	65694	Control Cable	1	
19	65695	Ø51 Exhaust Clamp	1	
20				
21				
22				
23				
24	RPM148.308877	Pivot Bush	2	
25				
26	RPGM065.00046	Brass Thrust Washer	1	
27				
28	SS025017/015	Steel Spacer	2	
29	SS035011/005	Steel Spacer	2	
30				
31				
32	TR270	Decal	1	
33				
34				
35	W0979	Locking Collar	1	
		Hydraulic Components Consist Of:		
40	10140	1/2" BSP Probe	2	
41				
42	11124	1/2" BSP Dowty Seal	2	
43	11337	1/4" BSP Dowty Seal	2	
44				
45	12316	1/4" BSP M M Adaptor	1	
46				
47	16356	1/4" BSPx1/2" BSP M M Adaptor	1	
48				
49	27908	1/4" BSP M M Restrictor (Ø1.0mm)	1	
50				
51	60924	1/4" Hose Assembly (5950mm)	2	

Machines from Serial No. SR2106

LH Steerable Wheel

Assy No 65691



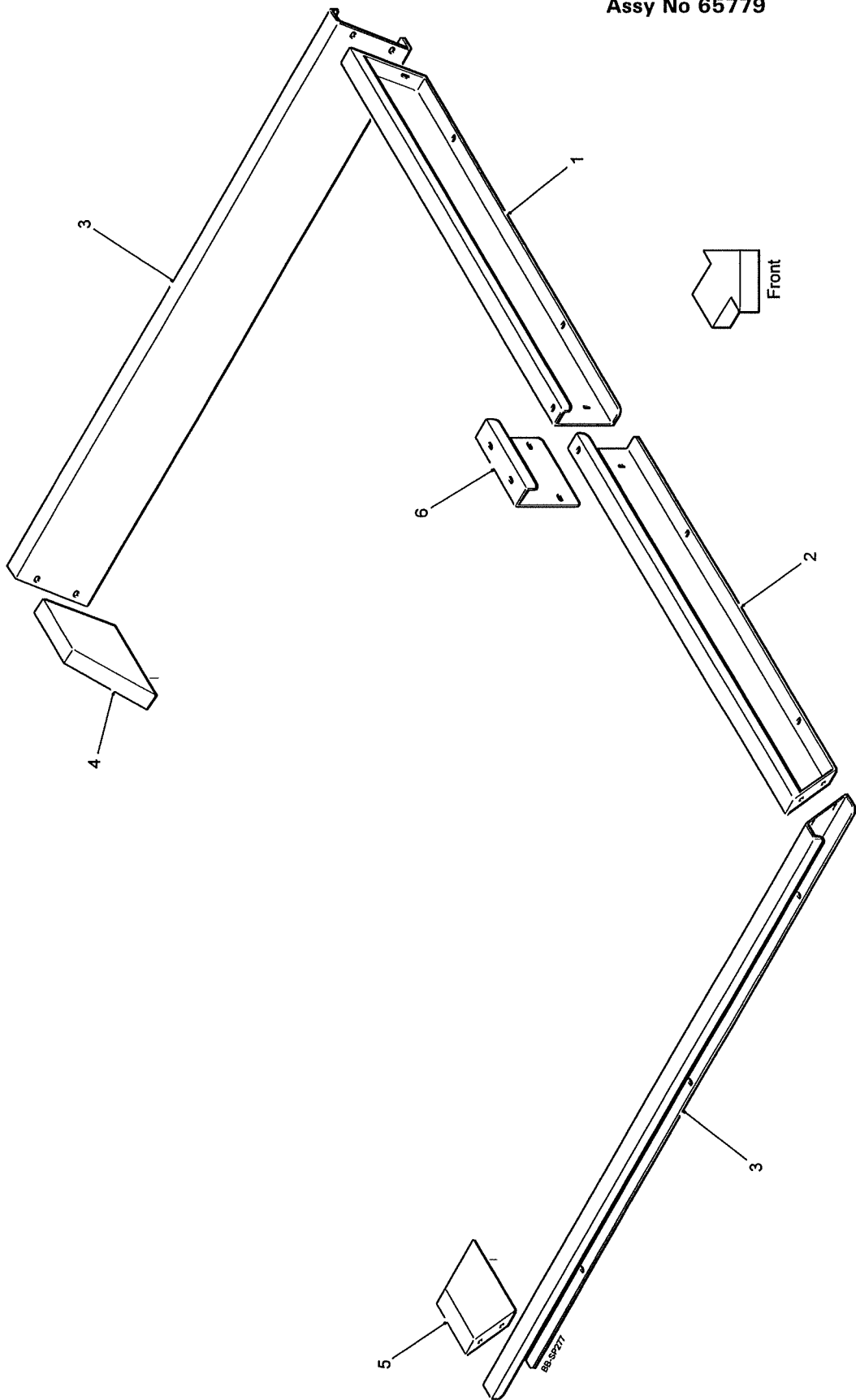
2.26a**SR SERIES PLANTER SPARE PARTS**

Machines from Serial No. SR2106

LH Steerable Wheel**Assy No 65691**

Item	Part No.	Description	Qty.	Remarks
1	12120	Oilite Bush	1	
2				
3	41062	Pointer	1	
4				
5	43589	Indicator Plate	1	
6				
7	54114	Bush	5	
8	54676	Ram Pin	1	
9				
10	65802	Steerable Wheel Leg	1	
11	65686	Hydraulic Ram	1	
12	65687	Link Arm	1	
13	65688A	Lower Link (125mm centres)	1	
14	65689	Axle Pivot Pin	1	
15	65690A	Axle Complete	1	
16	65692	Indicator Plate Mounting	1	
17				
18	65694	Control Cable	1	
19				
20	65794	Pivot Bolt	1	
21				
22				
23				
24	RPM148.308877	Pivot Bush	2	
25				
26	RPGM065.00046	Brass Thrust Washer	1	
27				
28	65795	Pivot Spacer	2	
29	SS035011/005	Steel Spacer	2	
30				
31				
32	TR270	Decal	1	
33				
34				
35	W0979	Locking Collar	1	
		Hydraulic Components Consist Of:		
40	10140	1/2"BSP Probe	2	
41				
42	11124	1/2"BSP Dowty Seal	2	
43	11337	1/4"BSP Dowty Seal	6	
44				
45	12316	1/4"BSP M M Adaptor	5	
46				
47	16356	1/4"BSPx1/2"BSP M M Adaptor	2	
48				
49	27908	1/4"BSP M M Restrictor (Ø1.0mm)	1	
50				
51	62401	Pipe Clamp (1/4"-1/4")	1	
52	65991	Double Pilot Check Valve	1	
53				
54	71045	1/4"Hose Assembly (4600mm)	2	
55	71046	1/4"Hose Assembly (1350mm)	1	
56	71047	1/4"Hose Assembly (1450mm)	1	

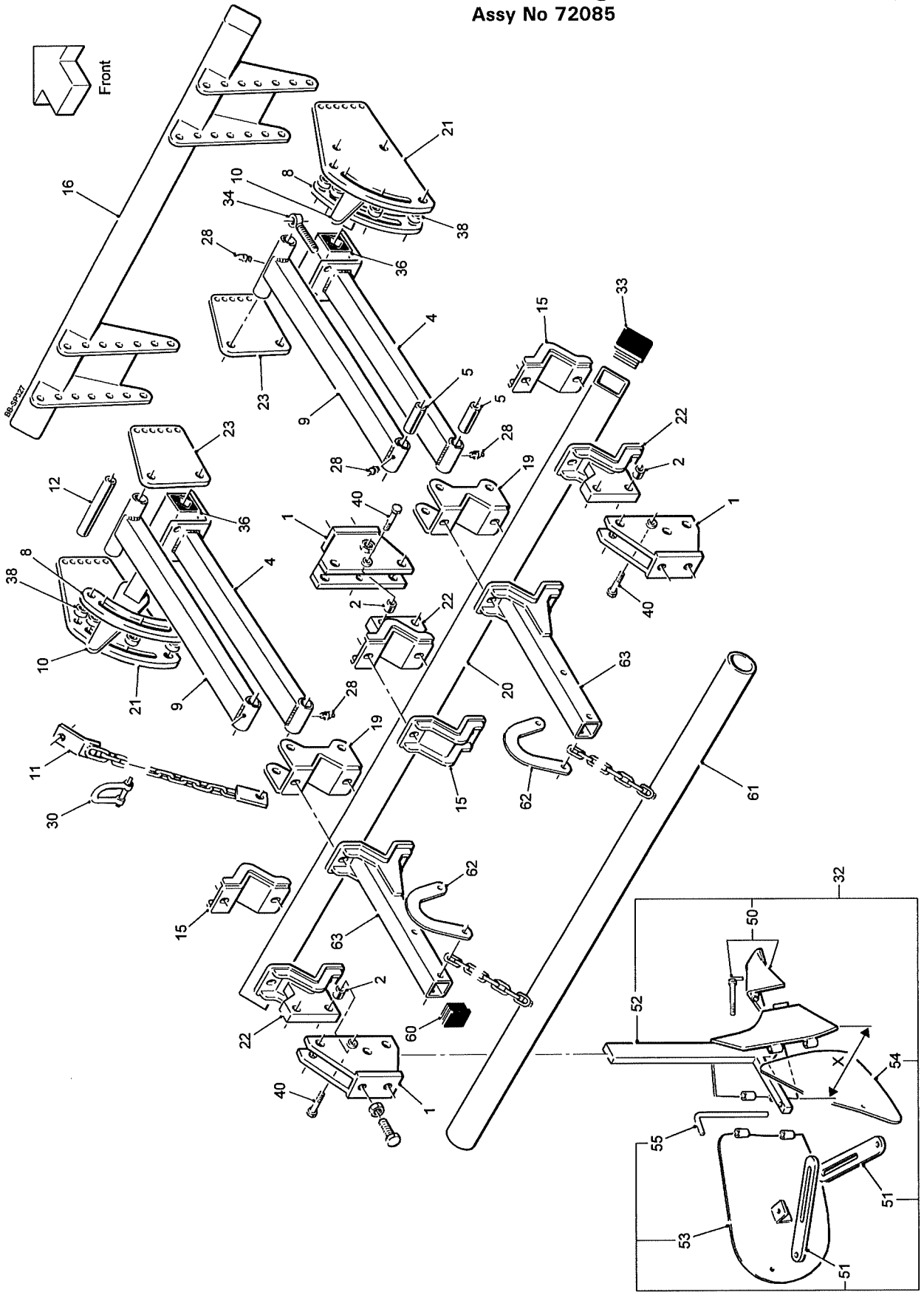
Hopper Extension Kit
Assy No 65779



2.27a**SR SERIES PLANTER SPARE PARTS****Hopper Extension Kit****Assy No 65779**

Item	Part No.	Description	Qty.	Remarks
1	65773	Front Extension Panel LH	1	
2	65774	Front Extension Panel RH	1	
3	65775	Side Extension Panel	2	
4	65776	Rear Extension Panel LH	1	
5	65777	Rear Extension Panel RH	1	
6	65778	Tie Plate	1	

Rear Ridgers & Parallel Linkage Assy No 72085



2.28a

SR SERIES PLANTER SPARE PARTS

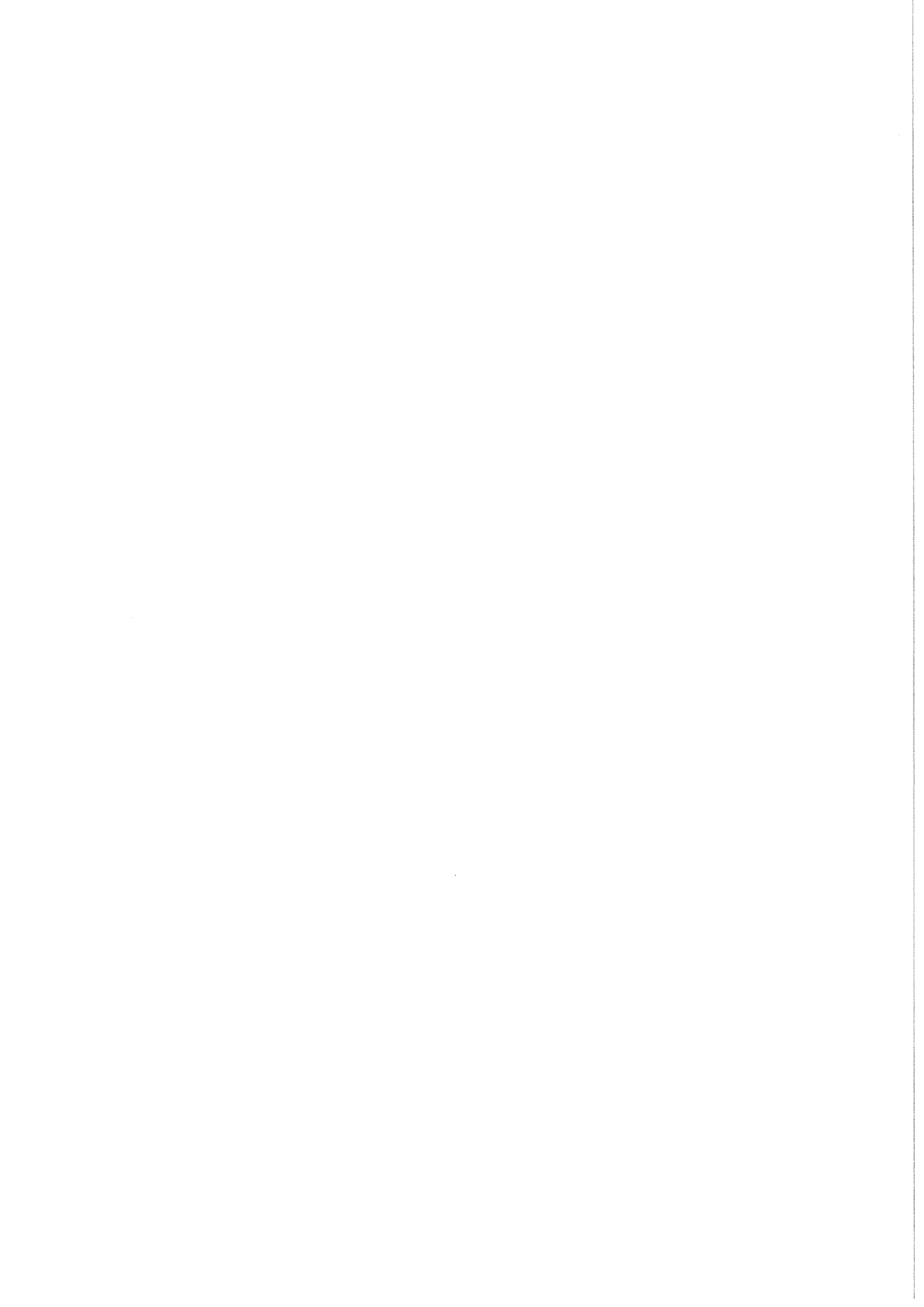
Rear Ridgers & Parallel Linkage

Assy No 72085

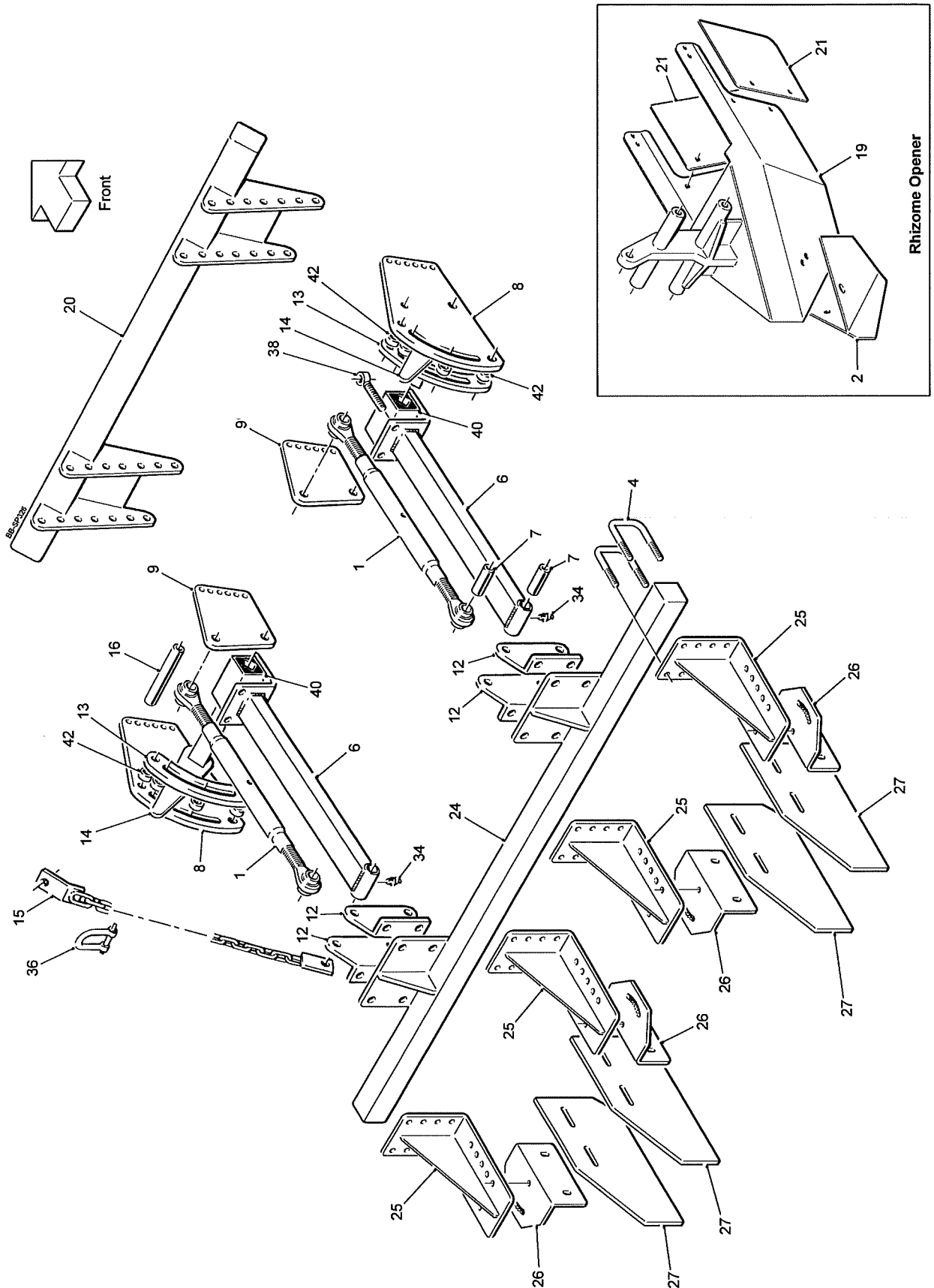
Item	Part No.	Description	Qty.	Remarks
1	43285	Socket Bracket	3	
2	43357	Shear Bolt Sleeve	3	
3				
4	52583	Bottom Arm	2	
5	52586	Pivot Pin Short	4	
6				
7				
8	54257	Reaction Plate Inner	2	
9	54307	Top Arm	2	
10	54308	Reaction Arm	2	
11	54324	Support Chain	2	
12	54328	Pivot Pin Long	4	
13				
14				
15	65552	Clamp	3	
16	65661C	Parallel Linkage Mounting Beam	1	
17				
18				
19	72087	Tool Bar Clamp Bracket	2	
20	72088	Tool Bar	1	
21	72089	Reaction Plate Outer	2	
22	72090	Reaction Clamp	3	
23	72099	Mounting Plate	2	
24				
25				
26				
27				
28	GS412	1/8"BSP Grease Nipple Straight	8	
29				
30	H171	Shackle		
31				
32	KA20601	Standard Ridger Complete (X = 270mm)	3	(see list at end)
	54476	Narrow Ridger Complete (X = 180mm)	3	(see list at end)
33	REK217	80x80 Plastic Insert	2	
34	RPF120.116115	M16x115 Eyebolt	4	
35				
36	RPGMRP084.00001	Rubber Torsion Unit	2	
37				
38	SS035017/013	Steel Spacer	8	
39				
40	22012008/070	M8x70 Bolt (grade 8.8)	3	
50	KA20601	Ridger Complete Consists Of:		
	KA20388	Platypus Tip c/w Pin	1	
51	KA20572	Spreader Stay	2	
52	KA20597	Ridger Body (X = 270mm)	1	Assy KA20601 only
	54477	Ridger Body (X = 180mm)	1	Assy 54476 only
53	KA20598	LH Wing	1	
54	KA20599	RH Wing	1	
55	KA20600	Ø12mm Wing Pin	2	

SR SERIES PLANTER SPARE PARTS**2.28b****Rear Ridgers & Parallel Linkage****Assy No 72085**

Item	Part No.	Description	Qty.	Remarks
	72096	Levelling Bar Assembly Consists Of:		
60	36013	50x50 Plastic Insert	2	
61	43166	Levelling Bar	1	
62	52332	Locking Plate	2	
63	72097	Levelling Bar Arm	2	



Rhizome Ridgers & Parallel Linkage



2.29a**SR SERIES PLANTER SPARE PARTS****Rhizome Ridgers & Parallel Linkage**

Item	Part No.	Description	Qty.	Remarks
1	43048	Adjustable Link	2	
2	43729	Wear Point	2	
3				
4	47222	M12 U'Bolt	8	
5				
6	52583	Bottom Arm	2	
7	52586	Pivot Pin Short	2	
8	52637	Reaction Plate Outer (with 5°holes)	2	
9	52638	Mounting Plate (with 5°holes)	2	
10				
11				
12	54254	Mounting Bracket	4	
13	54257	Reaction Plate Inner	2	
14	54308	Reaction Arm	2	
15	54324	Support Chain	2	
16	54328	Pivot Pin Long	2	
17				
18				
19	65558C	Rhizome Opener	2	
20	65661C	Parallel Linkage Mounting Beam	1	
21	65769C	Extension Plate	4	
22				
23				
24	72077	Support Bar	1	
25	72078	Ridger Bracket	4	
26	72079	Ridger Angle Bracket	4	
27	72080	Ridger Panel	4	
28				
29				
30				
31				
32				
33				
34	GS412	1/8"BSP Grease Nipple Straight	2	
35				
36	H171	Shackle	2	
37				
38	RPF120.116115	M16x115 Eyebolt	4	
39				
40	RPGMRP084.00001	Rubber Torsion Unit	2	
41				
42	SS035017/013	Steel Spacer	8	