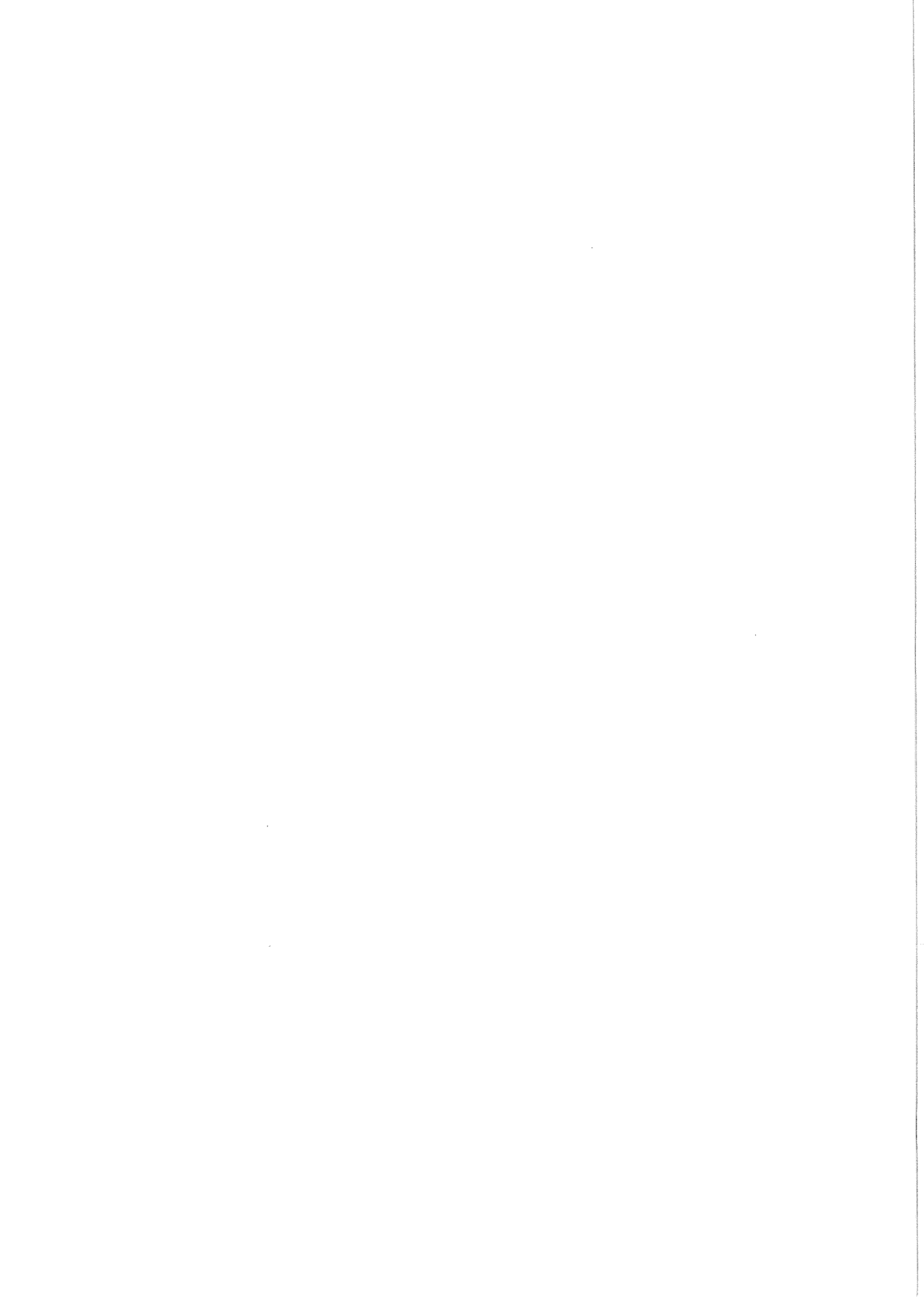


# CONTENTS

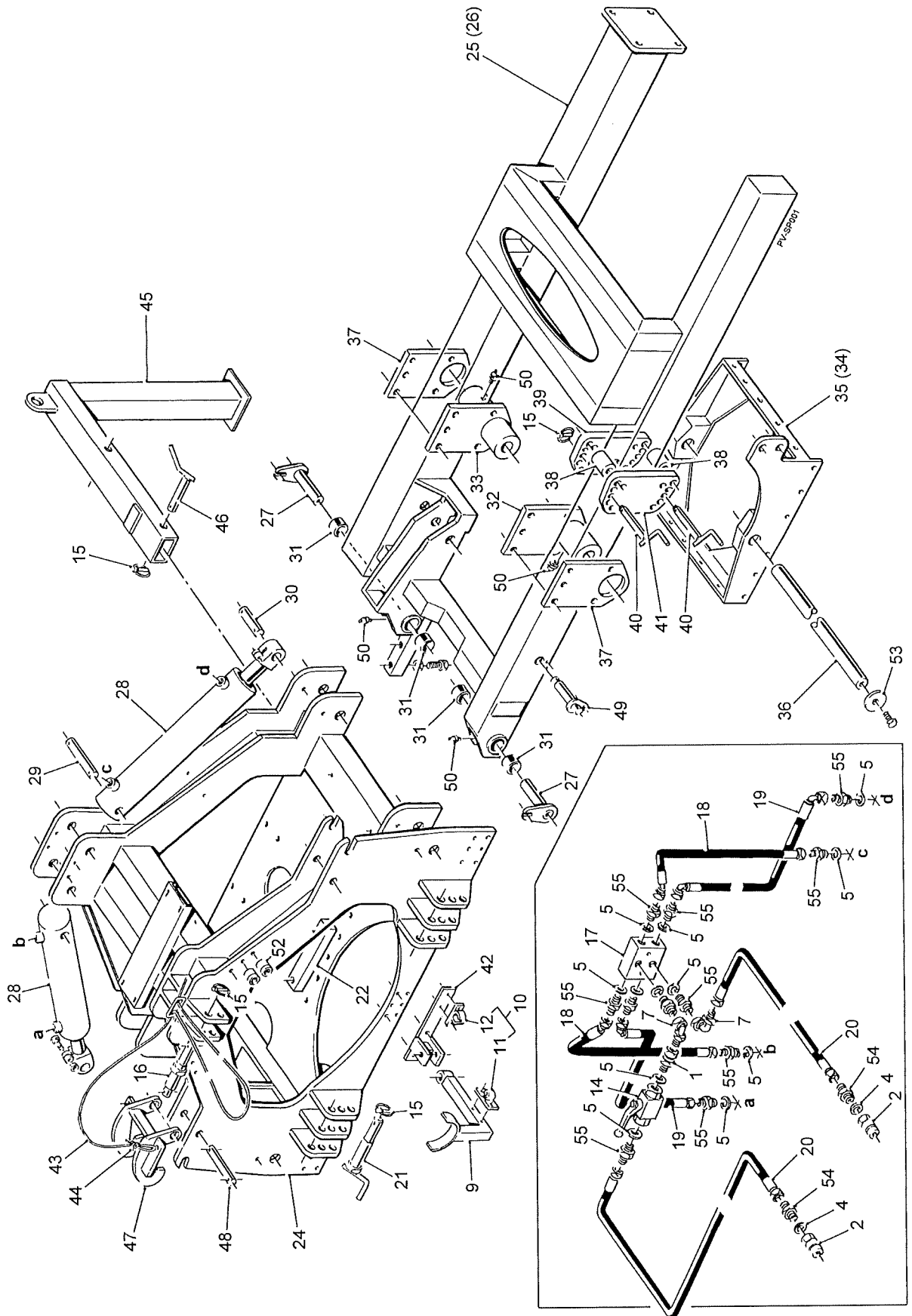
## POWAVATOR 400 SPARE PARTS

Centre Frame and Hull Mountings (for 70-70, 200 & 240 models)	2.1
LH Hull Assembly (for 200 & 240 models)	2.2
RH Hull Assembly (for 200 & 240 models)	2.3
Rotor Assemblies	2.4
Gearbox Assembly	2.5
Oil Cooler Assembly	2.6
Drive Couplings	2.7
Rear Depth Control Wheels	2.8
Disc Assembly	2.9
Centre Divider	2.9
Parallel Linkage Assembly	2.10
Furrower Leg Assemblies	2.11
Furrower Assemblies	2.12
Disc Marker Assemblies	2.13
Parallel Linkage/Disc Marker Hydraulics	2.14
Parallel Linkage Dual Operation Hydraulics	2.15
Parallel Linkage Individual Operation Hydraulics	2.16
Lighting Kit	2.17
Packer Roller & Crumbler Roller Assemblies	2.18
Eradicator Tine Assembly	2.19
Spring Loaded Eradicator Tine Assembly	2.20
Bed Forming Kit	2.21
Centre Frame and Hull Mountings (for 140 model)	2.22
LH Hull Assembly (for 70-70 & 140 models)	2.23
RH Hull Assembly (for 70-70 & 140 models)	2.24
Convex Body Extension Kit	2.25
Front Depth Control Wheels	2.26
Ø18" & Ø26 Intake Discs (wing beam mounted)	2.27
Rapid-Pin Rotor Assemblies	2.28
Auto-Reset Hydraulics	2.29
Disc Marker Dual Operation Hydraulics	2.30
Disc Marker Individual Operation Hydraulics	2.31
2-Bodied Bedformer Frame Mounting Kit	2.32
4-Bodied Bedformer Hydraulic Linkage	2.33
Square Sided Furrower Assembly	2.34
Ø18" Intake Discs (gearcase mounted)	2.25

**Note:** When using the following pages to order replacement parts, please quote the full serial number of your machine.



Centre Frame and Hull Mountings



## 2.1a

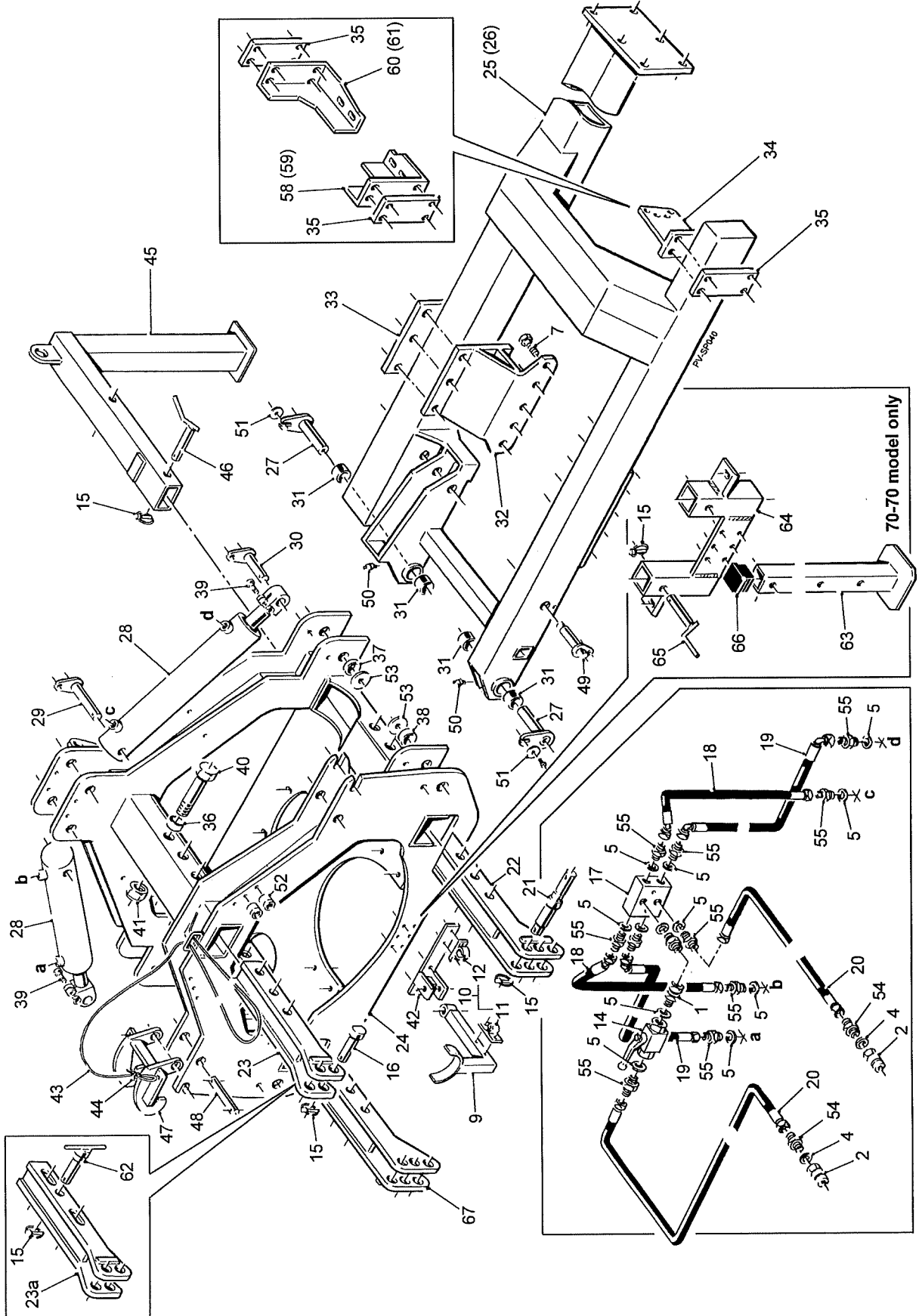
## POWAVATOR 400 SPARE PARTS

## Centre Frame and Hull Mountings

Item	Part No.	Description	Qty.	Remarks
1	10128	3/8"BSP MF Swivel Adaptor	1	
2	10140	1/2"BSP Male Quick Release Coupling	2	
3				
4	11124	1/2"BSP Dowty Seal	2	
5	11125	3/8"BSP Dowty Seal	12	
6				
7	13189	3/8"BSP MF Swept 90°Adaptor	2	
8				
9	45063	PTO Support	1	
10	45103	Retaining Clip Complete	1	
11	45103A	Male Clip	1	
12	45103B	Female Clip	1	
13				
14	DW202046270	2-Way Ball Valve	1	
15	DW50934	Clip Pin	9	
16	DWS414	Top Hitch Pin (CAT 2/3)	1	
17	DW801992	Junction Block	1	
18	DW802593	3/8"Hose Assembly (450mm)	2	
19	DW802596	3/8"Hose Assembly (1000mm)	2	
20	DW8100	3/8"Hose Assembly (2750mm)	2	
21	DWS415	Lower Link Pin	2	
22	DWS420	Gearbox Spacer	2	
23				
24	DWS164	Centre Frame	1	
25	DWS165	LH Wing	1	
26	DWS166	RH Wing	1	(not shown)
27	DWS167	Pivot Pin	4	
28	DWS168	Hydraulic Ram	2	
29	DWS169	Ram Pin	2	
30	DWS170	Ram Piston Pin	2	
31	DWS171	Nylon Bush	8	
32	DWS173	Front Pivot	2	
33	DWS174	Rear Pivot	2	
34	DWS175	RH Mounting	1	(not shown)
35	DWS176	LH Mounting	1	
36	DWS177	Pivot Pin	2	
37	DWS178	Pivot Pin Clamp Plate	4	
38	DWS179	Stop Spacer	4	
39	DWS180	Stop Plate	2	
40	DWS181	Transport Pin	4	
41	DWS184	Stop Clamp	2	
42	DWS301	PTO Support Mounting	1	
43	-	Latch Cord	5.3m	
44	-	Clamp	2	
45	DWS308	Stand	2	
46	DWS309	Stand Pin	2	
47	DWS361	Latch	2	
48	DWS362	Latch Pin	2	
49	DWS363	Retaining Pin	2	
50	GS412	1/8"BSP Straight Grease Nipple	8	
51				
52	KA17316	1/2"Hose Anchor	2	
53	SS080021/008	Steel Spacer	4	
54	UC25	1/2"BSPx3/8"BSP M M Adaptor	2	
55	UC31A	3/8"BSP M M Adaptor	11	

Machines from Serial No PV400200-376

## Centre Frame and Hull Mountings (for 70-70, 200 & 240 models)



**2.1a****POWAVATOR 400 SPARE PARTS**

Machines from Serial No PV400200-376

**Centre Frame and Hull Mountings (for 70-70, 200 & 240 models)**

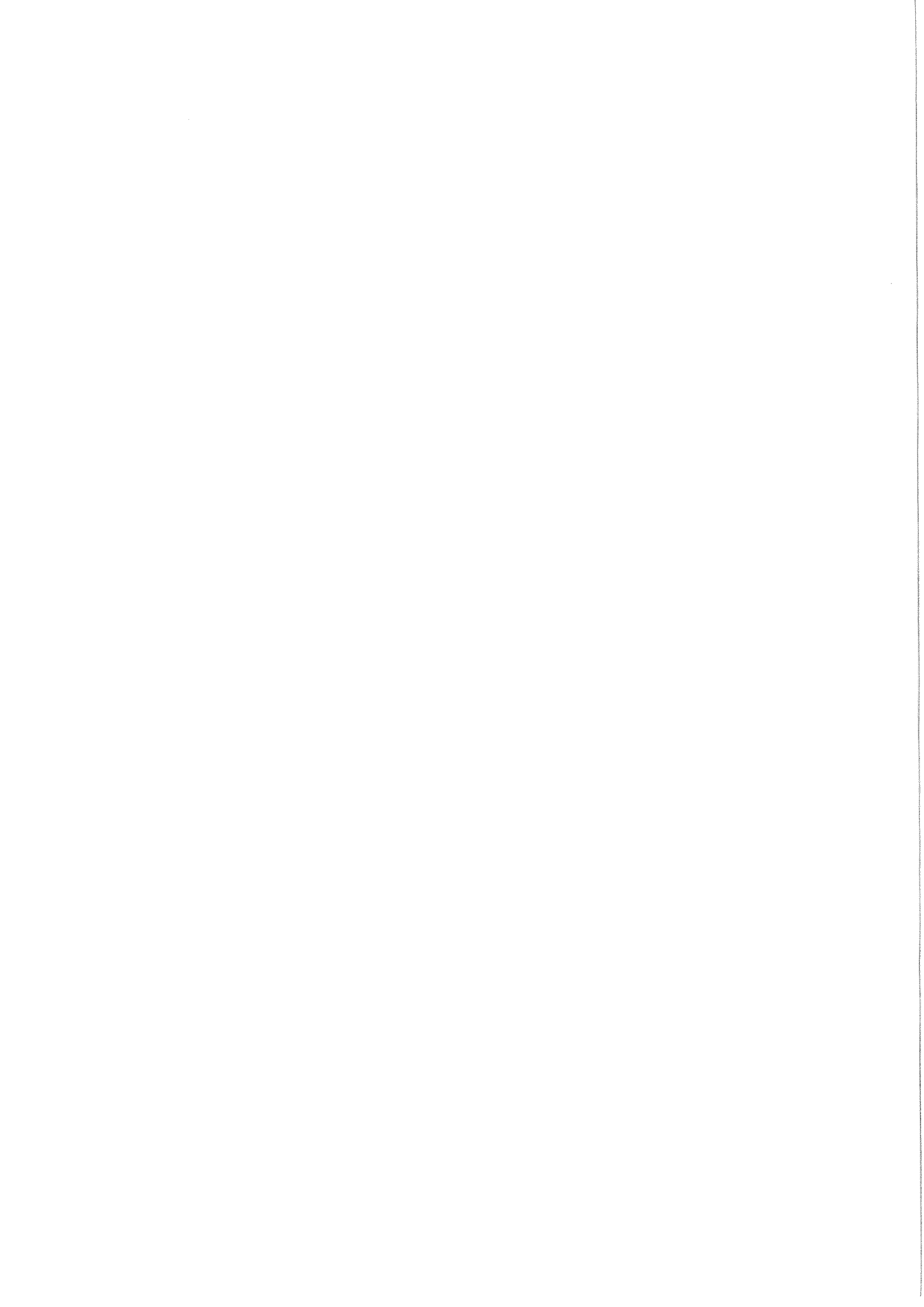
Item	Part No.	Description	Qty.	Remarks
1	10128	3/8" BSP MF Swivel Adaptor	1	
2	10140	1/2" BSP Male Quick Release Coupling	2	
3				
4	11124	1/2" BSP Dowty Seal	2	
5	11125	3/8" BSP Dowty Seal	12	
6				
7	DW301320405	M20x40 Setscrew	12	
8				
9	45063	PTO Support	1	
10	45103	Retaining Clip Complete	1	
11	45103A	Male Clip	1	
12	45103B	Female Clip	1	
13				
14	DW202046270	2-Way Ball Valve	1	
15	DW50934	Clip Pin	10	Qty x12 on 70-70
16	DWS599	Top Hitch Pin (CAT 3)	1	Supercedes DWS536 (CAT 2/3)
17	DW801992	Junction Block	1	
18	DW802593	3/8" Hose Assembly (450mm)	2	
19	DW802596	3/8" Hose Assembly (1000mm)	2	
20	DW8100	3/8" Hose Assembly (2750mm)	2	
21	DWS535	Lower Link Pin	2	
22	DWS521	Lower Link Arm LH	1	Qty was x2
23	DWS522	Fixed Top Link Arm	1	
23a	DWS698	Floating Top Link Arm	1	For Packer roller & depth wheels
24	DWS518	Centre Frame	1	
25	DWS519	LH Wing	1	
26	DWS520	RH Wing	1	(not shown)
27	DWS167	Pivot Pin	4	
28	DWS817	Hydraulic Ram	2	Prior to 2008 was DWS168
29	DWS542	Ram Pin	2	
30	DWS543	Ram Piston Pin	2	
31	DWS171	Nylon Bush	8	
32	DWS523	Rear Hull Mounting	2	
33	DWS524	Rear Hull Mounting Clamp Plate	2	
34	DWS525	Front Hull Support	2	Used with 100" hulls only
35	DWS526	Front Hull Support Clamp Plate	2	Qty x4 with 120" hulls
36	DWS527	Spacer	6	
37	DWS544	Spacer (13mm)	2	
38	DWS545	Spacer (18mm)	2	
39	22107010/050	M10x50 Hex Head Bolt c/w Nut	2	
40	22012030/200	M30X200 Hex Head Bolt	6	
41	22041030	M30 Nyloc Nut	6	
42	DWS301	PTO Support Mounting	1	
43	DWS573/5.3	Latch Cord	5.3m	
44	DWS486	Clamp	2	
45	DWS308	Stand	2	
46	DWS309	Stand Pin	2	
47	DWS361	Latch	2	
48	DWS362	Latch Pin	2	
49	DWS363	Retaining Pin	2	
50	GS412	1/8" BSP Straight Grease Nipple	8	
51	SS040014/005	Steel Spacer	4	
52	KA17316	1/2" Hose Anchor	2	
53	SS060018/005	Steel Spacer	4	
54	UC25	1/2" BSP x 3/8" BSP M M Adaptor	2	

**POWAVATOR 400 SPARE PARTS****2.1b**

Machines from Serial No PV400200-376

**Centre Frame and Hull Mountings (for 70-70, 200 & 240 models)**

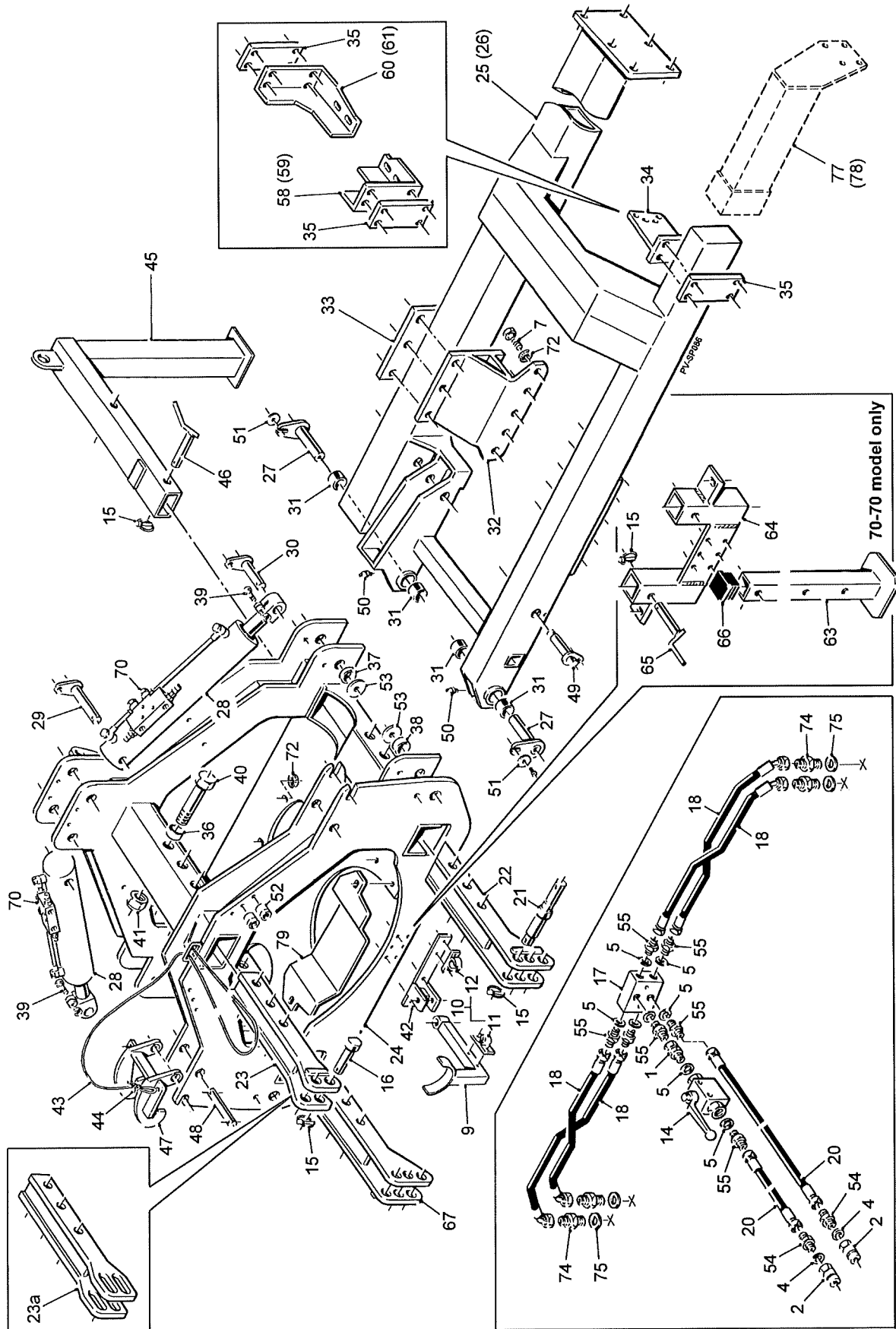
Item	Part No.	Description	Qty.	Remarks
55	UC31A	3/8" BSP M M Adaptor	11	
56				
57				
58	DWS586	LH Front Support	1	Used with 120" hulls only
59	DWS587	RH Front Support (not shown)	1	Used with 120" hulls only
60	DWS617	LH Rear Support	1	Used with 120" hulls only
61	DWS618	RH Rear Support (not shown)	1	Used with 120" hulls only
62	DWS699	Floating Top Link Pin	1	
63	DWS813	Stand	2	Used on 70-70 only
64	DWS848	Front Stand Bracket	1	Used on 70-70 only
65	DWS597	Stand Pin	2	Used on 70-70 only
66	DWS871	Plastic Insert (70mm x70mm)	2	Used on 70-70 only
67	DWS701	Lower Link Arm RH	1	





Machines from 2015

## Centre Frame and Hull Mountings (for 70-70, 200 & 240 models)



## 2.1a

## POWAVATOR 400 SPARE PARTS

Machines from 2015

## Centre Frame and Hull Mountings (for 70-70, 200 &amp; 240 models)

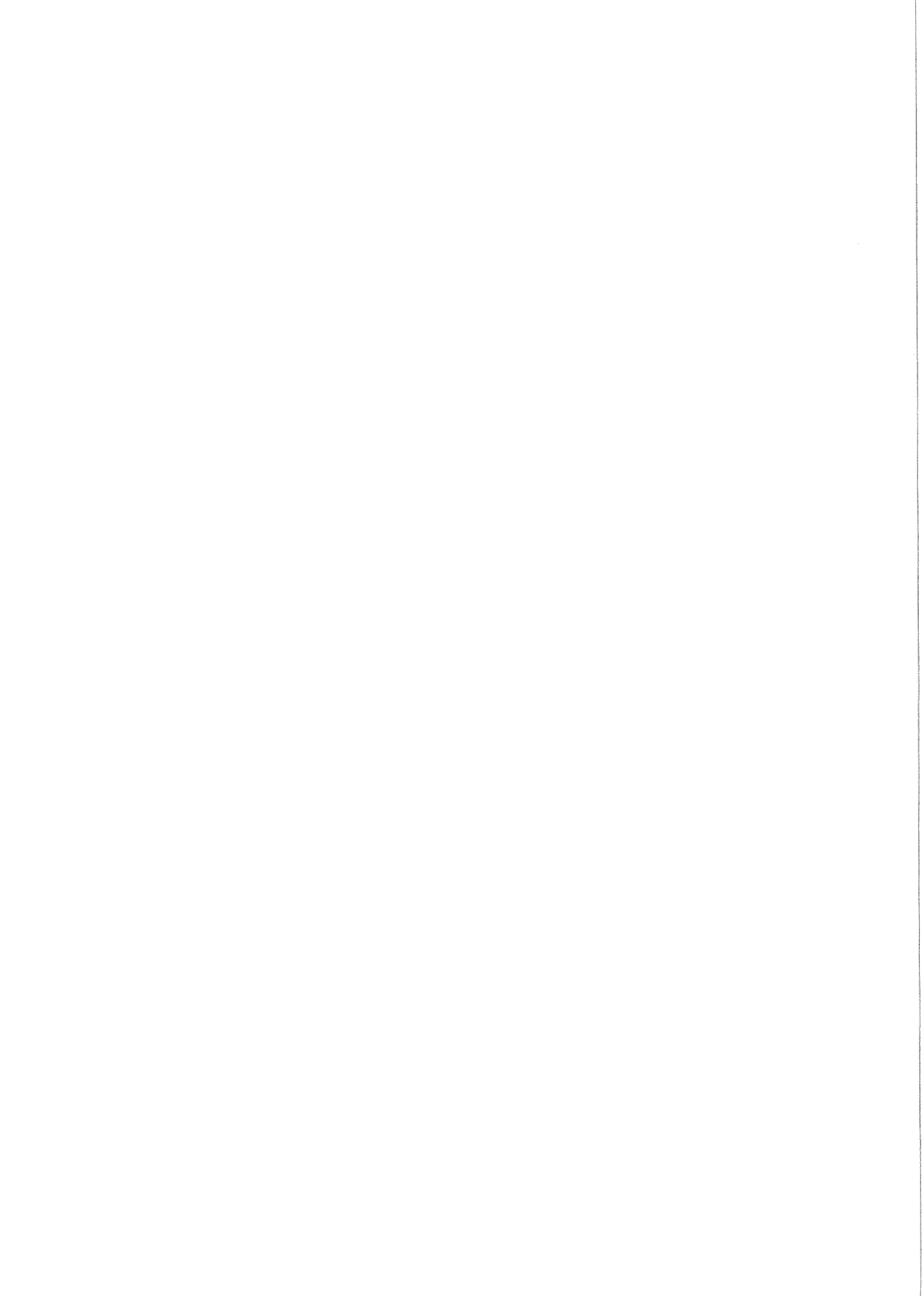
Item	Part No.	Description	Qty.	Remarks
1	10128	3/8"BSP MF Swivel Adaptor	1	
2	10140	1/2"BSP Male Quick Release Coupling	2	
3				
4	11124	1/2"BSP Dowty Seal	2	
5	11125	3/8"BSP Dowty Seal	8	Prior to 2016 Qty x12
6				
7	DW301320405	M20x40 Setscrew	12	
8				
9	45063	PTO Support	1	
10	45103	Retaining Clip Complete	1	
11	45103A	Male Clip	1	
12	45103B	Female Clip	1	
13				
14	DW202046270	2-Way Ball Valve	1	
15	DW50934	Clip Pin	10	Qty x12 on 70-70
16	DWS599	Top Hitch Pin (CAT 3)	1	
17	DW801992	Junction Block	1	
18	DW802593	3/8"Hose Assembly (450mm)	4	
19				
20	DW802591	3/8"Hose Assembly (2000mm)	2	Supersedes DW8100
21	DWS535	Lower Link Pin	2	
22	DWS521	Lower Link Arm LH	1	Qty was x2
23	DWS522	Fixed Top Link Arm	1	
23a	DWS522B	Floating Top Link Arm	1	For Packer roller & depth wheels
24	DWS518	Centre Frame	1	
25	DWS519	LH Wing	1	
26	DWS520	RH Wing	1	(not shown)
27	DWS167	Pivot Pin	4	
28	DWS817	Hydraulic Ram	2	
29	DWS542	Ram Pin	2	
30	DWS543	Ram Piston Pin	2	
31	DWS171	Nylon Bush	8	
32	DWS523	Rear Hull Mounting	2	
33	DWS524	Rear Hull Mounting Clamp Plate	2	
34	DWS525	Front Hull Support	2	Used with 100"hulls only
35	DWS526	Front Hull Support Clamp Plate	2	Qty x4 with 120"hulls
36	DWS527	Spacer	6	
37	DWS544	Spacer (13mm)	2	
38	DWS545	Spacer (18mm)	2	
39	22107010/050	M10x50 Hex Head Bolt c/w Nut	2	
40	22012030/200	M30X200 Hex Head Bolt	6	
41	22041030	M30 Nyloc Nut	6	
42	DWS301	PTO Support Mounting	1	
43	DWS573/5.3	Latch Cord	5.3m	
44	DWS1287	Ø6 Clamp	2	Ø4 Clamp was DWS486
45	DWS308	Stand	2	
46	DWS309	Stand Pin	2	
47	DWS361	Latch	2	
48	DWS362	Latch Pin	2	
49	DWS363	Retaining Pin	2	
50	GS412	1/8"BSP Straight Grease Nipple	8	
51	SS040014/005	Steel Spacer	4	
52	KA17316	1/2"Hose Anchor	2	
53	SS060018/005	Steel Spacer	4	
54	UC25	1/2"BSPx3/8"BSP M M Adaptor	2	

**POWAVATOR 400 SPARE PARTS****2.1b**

Machines from 2015

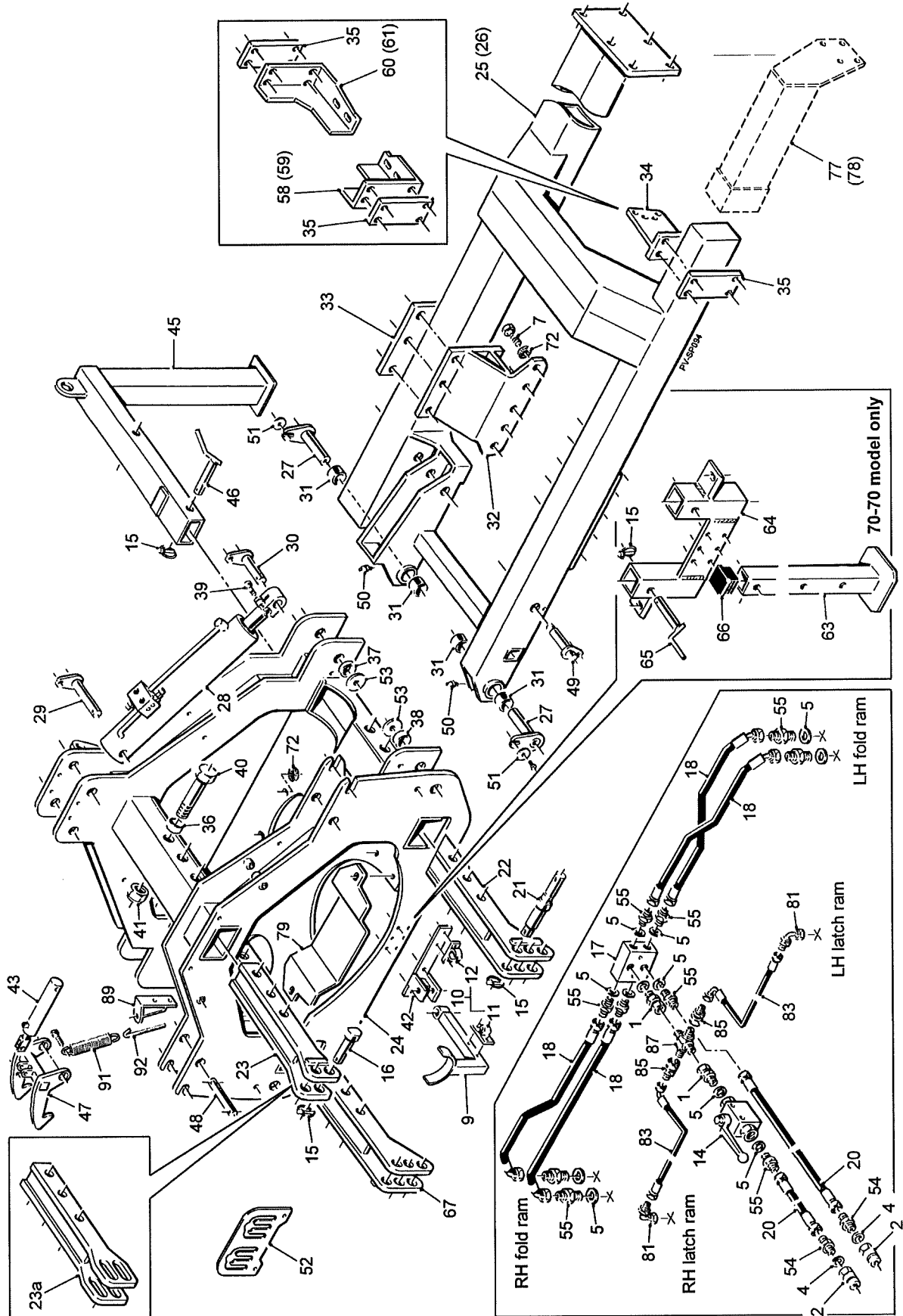
**Centre Frame and Hull Mountings (for 70-70, 200 & 240 models)**

Item	Part No.	Description	Qty.	Remarks
55	UC31A	3/8"BSP M M Adaptor	7	Prior to 2016 Qty x11
56				
57				
58	DWS586	LH Front Support	1	Used with 120"hulls only
59	DWS587	RH Front Support (not shown)	1	Used with 120"hulls only
60	DWS617	LH Rear Support	1	Used with 120"hulls only
61	DWS618	RH Rear Support (not shown)	1	Used with 120"hulls only
62				
63	DWS813	Stand	2	Used on 70-70 only
64	DWS848	Front Stand Bracket	1	Used on 70-70 only
65	DWS597	Stand Pin	2	Used on 70-70 only
66	DWS871	Plasic Insert (70mm x70mm)	2	Used on 70-70 only
67	DWS701	Lower Link Arm RH	1	
68				
69				
70	DWS1134	3/8"BSP Over-centre Valve Kit	1	
71				
72	22121020	M20 Nordlock Washer	16	
73				
74	11336	1/4"BSPx3/8"BSP M M Adaptor	4	
75	11337	1/4"BSP Dowty Seal	4	
76				
77	DWS1200	Beam Extension LH	1	Optional
78	DWS1201	Beam Extension RH (not shown)	1	Optional
79	DWS1278	Dirt Shield	1	



Machines from Serial No PV400200-965

## Centre Frame and Hull Mountings (for 70-70, 200 & 240 models)



## 2.1a

## POWAVATOR 400 SPARE PARTS

Machines from Serial No PV400200-965

## Centre Frame and Hull Mountings (for 70-70, 200 &amp; 240 models)

Item	Part No.	Description	Qty.	Remarks
1	10128	3/8" BSP MF Swivel Adaptor	2	
2	10140	1/2" BSP Male Quick Release Coupling	2	
3				
4	11124	1/2" BSP Dowty Seal	2	
5	11125	3/8" BSP Dowty Seal	12	
6				
7	DW301320405	M20x40 Setscrew	12	
8				
9	45063	PTO Support	1	
10	45103	Retaining Clip Complete	1	
11	45103A	Male Clip	1	
12	45103B	Female Clip	1	
13				
14	DW202046270	2-Way Ball Valve	1	
15	DW50934	Clip Pin	10	Qty x12 on 70-70
16	DWS599	Top Hitch Pin (CAT 3)	1	
17	DW801992	Junction Block	1	
18	DW802593	3/8" Hose Assembly (450mm)	4	
19				
20	DW802591	3/8" Hose Assembly (2000mm)	2	
21	DWS535	Lower Link Pin	2	
22	DWS521	Lower Link Arm LH	1	
23	DWS522	Fixed Top Link Arm	1	
23a	DWS522B	Floating Top Link Arm	1	For Packer roller & depth wheels
24	DWS518	Centre Frame	1	
25	DWS519	LH Wing	1	
26	DWS520	RH Wing	1	(not shown)
27	DWS167	Pivot Pin	4	
28	DWS817	Hydraulic Ram (c/w over-centre valve)	2	
29	DWS542	Ram Pin	2	
30	DWS543	Ram Piston Pin	2	
31	DWS171	Nylon Bush	8	
32	DWS523	Rear Hull Mounting	2	
33	DWS524	Rear Hull Mounting Clamp Plate	2	
34	DWS525	Front Hull Support	2	Used with 100" hulls only
35	DWS526	Front Hull Support Clamp Plate	2	Qty x4 with 120" hulls
36	DWS527	Spacer	6	
37	DWS544	Spacer (13mm)	2	
38	DWS545	Spacer (18mm)	2	
39	22107010/050	M10x50 Hex Head Bolt c/w Nut	2	
40	22012030/200	M30X200 Hex Head Bolt	6	
41	22041030	M30 Nyloc Nut	6	
42	DWS301	PTO Support Mounting	1	
43	DWS1363	Hydraulic Ram (spring-loaded)	2	
44				
45	DWS308	Stand	2	
46	DWS309	Stand Pin	2	
47	DWS361A	Latch	2	
48	DWS362	Latch Pin	2	
49	DWS363	Retaining Pin	2	
50	GS412	1/8" BSP Straight Grease Nipple	8	
51	SS040014/005	Steel Spacer	4	
52	DWS1380A	Hose Carrier Plate	1	Was DWS1380
53	SS060018/005	Steel Spacer	4	
54	UC25	1/2" BSP x 3/8" BSP M M Adaptor	2	

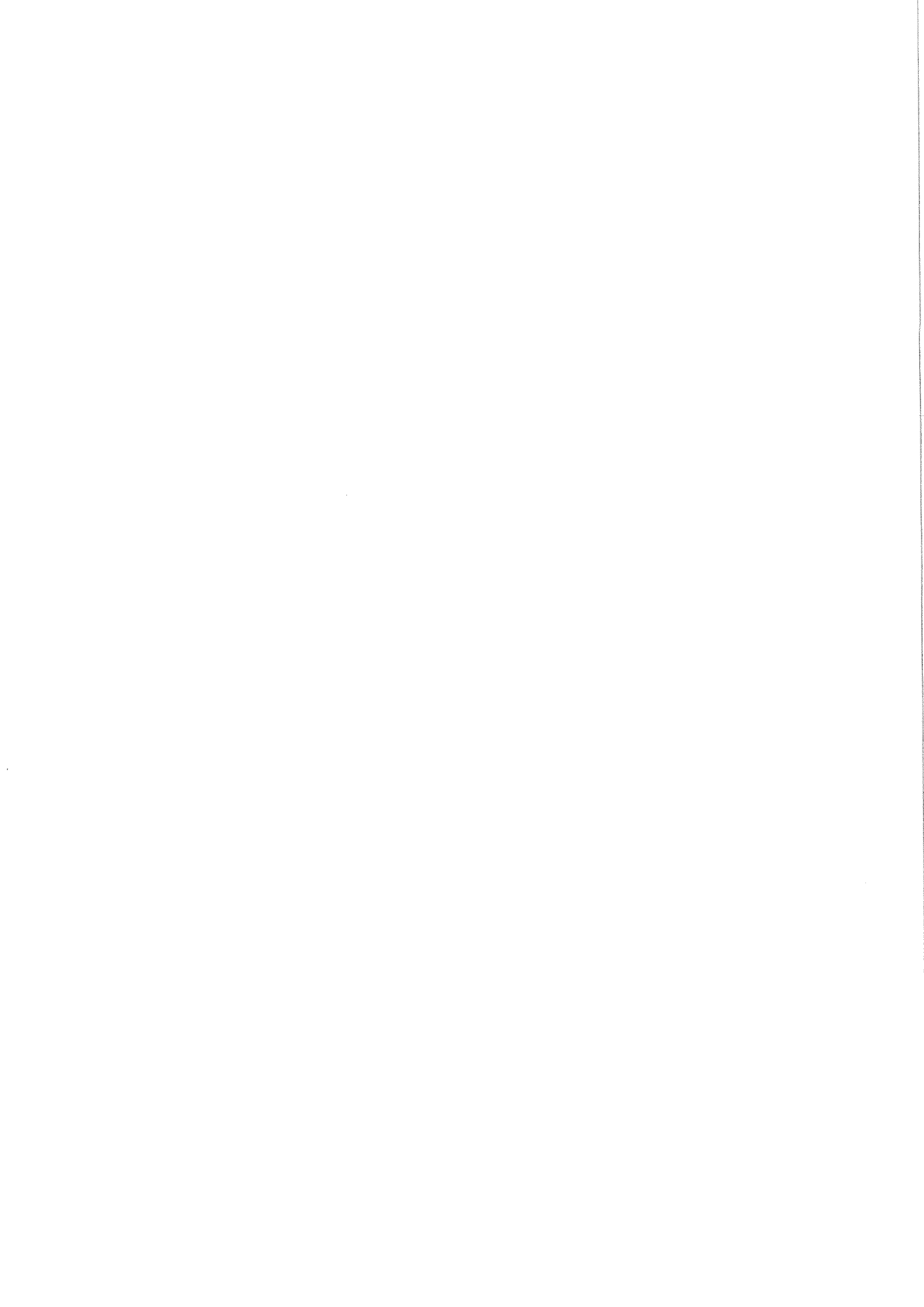
**POWAVATOR 400 SPARE PARTS**

2.1b

Machines from Serial No PV400200-965

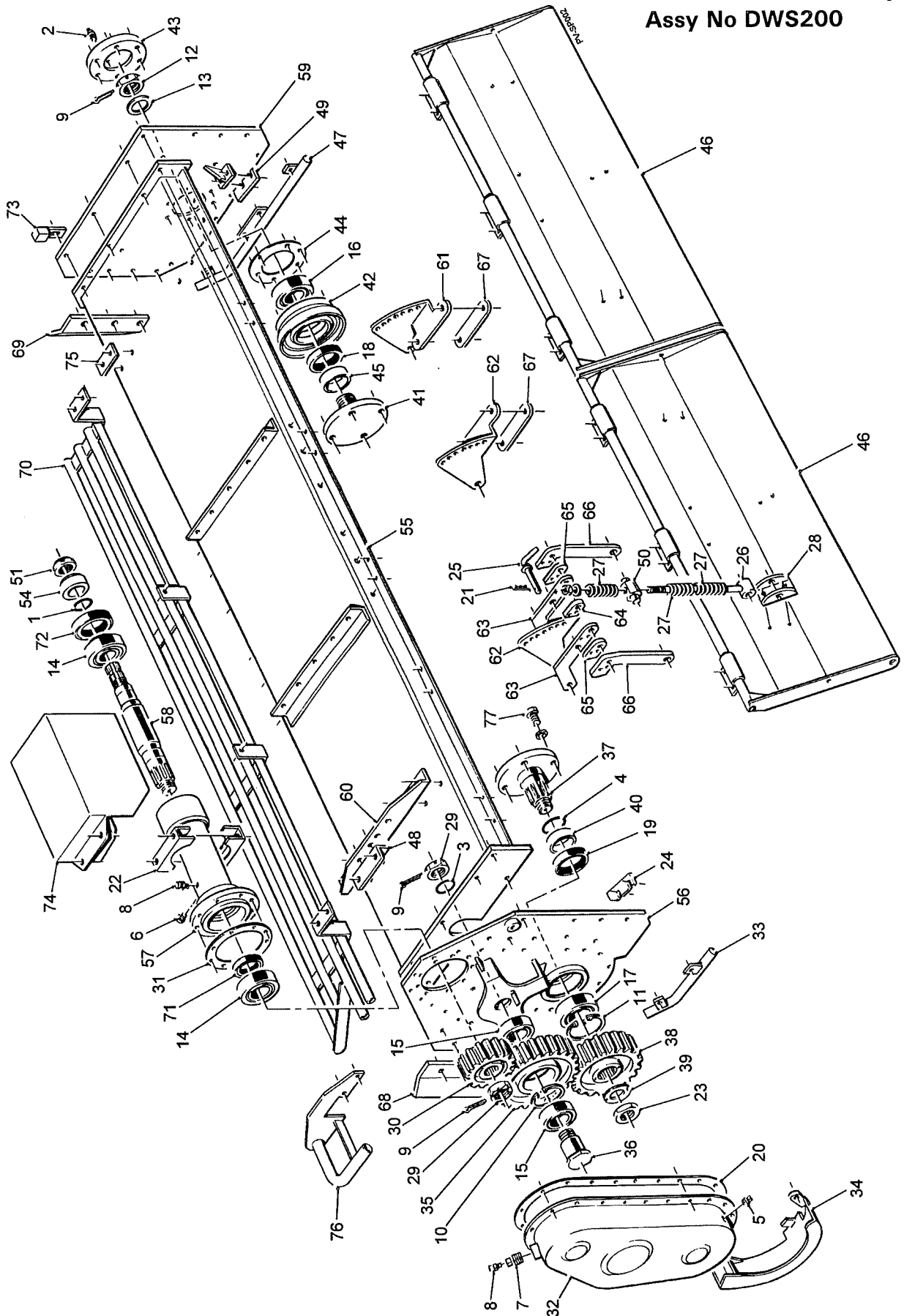
**Centre Frame and Hull Mountings (for 70-70, 200 & 240 models)**

Item	Part No.	Description	Qty.	Remarks
55	UC31A	3/8"BSP M M Adaptor	10	
56				
57				
58	DWS586	LH Front Support	1	Used with 120"hulls only
59	DWS587	RH Front Support (not shown)	1	Used with 120"hulls only
60	DWS617	LH Rear Support	1	Used with 120"hulls only
61	DWS618	RH Rear Support (not shown)	1	Used with 120"hulls only
62				
63	DWS813	Stand	2	Used on 70-70 only
64	DWS848	Front Stand Bracket	1	Used on 70-70 only
65	DWS597	Stand Pin	2	Used on 70-70 only
66	DWS871	Plasic Insert (70mm x70mm)	2	Used on 70-70 only
67	DWS701	Lower Link Arm RH	1	
68				
69				
70				
71				
72	22121020	M20 Nordlock Washer	16	
73				
74				
75				
76				
77	DWS1200	Beam Extension LH	1	Optional
78	DWS1201	Beam Extension RH (not shown)	1	Optional
79	DWS1278	Dirt Shield	1	
80				
81	12378	1/4"BSP M F Swept 90°Adaptor	2	
82				
83	13188	1/4"Hose Assembly (1000mm)	2	
84				
85	27894	1/4"BSPMx3/8"BSPF Swivel Adaptor	2	
86				
87	52246	3/8"BSP Male Cross	1	
88				
89	64957	Anchor Bracket	2	
90				
91	RPC676.302597	Tension Spring	2	
92	RPF128.110130	M10 Hook Bolt	2	





LH Hull Assembly  
Assy No DWS200



## LH Hull Assembly

Assy No DWS200

Item	Part No.	Description	Qty.	Remarks
1	DW202025130	O'Ring	1	
2	DW202030580	1/4"UNF Grease Nipple	1	
3	DW202070520	O'Ring (Ø39.5x3mm)	1	
4	DW202071150	O'Ring (Ø69.5x3mm)	1	
5	DW203031160	1/8"BSP Square Head Plug	1	
6	DW203031180	3/8"BSP Square Head Plug	1	
7	DW203031200	3/4"BSP Square Head Plug	1	
8	DW203032010	1/8"BSP Breather	2	
9	DW208016760	Split Pin (Ø5x80mm)	3	
10	DW208101570	Internal Circlip (Ø112mm)	1	
11	DW208101650	Internal Circlip (Ø150mm)	1	
12	DW208109300	M55 Special Locknut	1	
13	DW208109310	M55 Special Lock Washer	1	
14	DW252247161	Bearing	2	
15	DW252644121	Bearing	2	
16	DW256013311	Bearing	1	
17	DW257015351	Bearing	1	
18	DW261185131	Oil Seal (110x85x13mm)	1	
19	DW261185181	Oil Seal (110x85x18mm)	1	
20	DW305069	Gasket	1	
21	DW330237	R'Clip	3	
22	DW335158	Clamp Half	2	
23	DW650018	Special Nut	1	
24	DW650076	Cutter Blade	1	
25	DW650113	Pin	3	
26	DW650120	Spring Bar	3	
27	DW650124	Spring	9	
28	DW650125	Support Bracket	3	
29	DW800330	M40 Special Castellated Nut	2	
30	DW800331	19T Gear	1	
31	DW800335	Gasket	1	
32	DW800378	LH Gearcase	1	
33	DW800380	LH Skid	1	
34	DW800382	LH Ground Skid	1	
35	DW800384	35T Idler Gear	1	
36	DW800385	Idler Shaft	1	
37	DW800386	Rotor Drive Shaft	1	
38	DW800387	30T Gear	1	
39	DW800388	Tab Washer	1	
40	DW800389	Oil Seal Sleeve	1	
41	DW800412	Rotor Stub Shaft	1	
42	DW800413	Bearing Housing	1	
43	DW800414	Cover Plate	1	
44	DW800415	Gasket	1	
45	DW800416	Spacer	1	
46	DW800419	120" Trailing Board	2	
	DW800420	100" Trailing Board	2	
47	DW800435	Skid	1	
48	DW800437	Support Angle	1	
49	DW800444	Cutter Blade	1	
50	DW801282	Trunnion	3	
51	DW820741	Cam-Clutch Nut	1	
52				
53				

**SPARE PARTS****2.2b****LH Hull Assembly****Assy No DWS200**

<b>Item</b>	<b>Part No.</b>	<b>Description</b>	<b>Qty.</b>	<b>Remarks</b>
54	DWS163	Spacer	1	
55	DWS185	100" Hull	1	
	DWS321	120" Hull	1	
56	DWS186	LH Gearcase Backplate	1	
57	DWS189	Jackshaft Housing	1	
58	DWS190	Jackshaft	1	
59	DWS191	Side Plate	1	
60	DWS202	Housing Support	1	
61	DWS206	LH Bracket	1	
62	DWS207	RH Bracket	2	
63	DWS208	Pivot Arm	6	
64	DWS209	Centre Spacer	3	
65	DWS210	Side Spacer	6	
66	DWS211	Trunnion Arm	6	
67	DWS212	Clamp Strip	3	
68	DWS213	LH Wear Plate	1	
69	DWS214	RH Wear Plate	1	
70	DWS215	100" LH Front Guard	1	
	DWS322	120" LH Front Guard	1	
71	DWS270	Oil Seal (90x58x10mm)	1	
72	DWS284	Oil Seal (125x85x12mm)	1	
73	DWS302	Stop Block	1	
74	DWS304	PTO Guard	1	
75	DWS366	Guard Spacer	1	
76	DWS372	LH Corner Guard	1	
77	DW331320350	M20x35mm Special Setscrew	8	



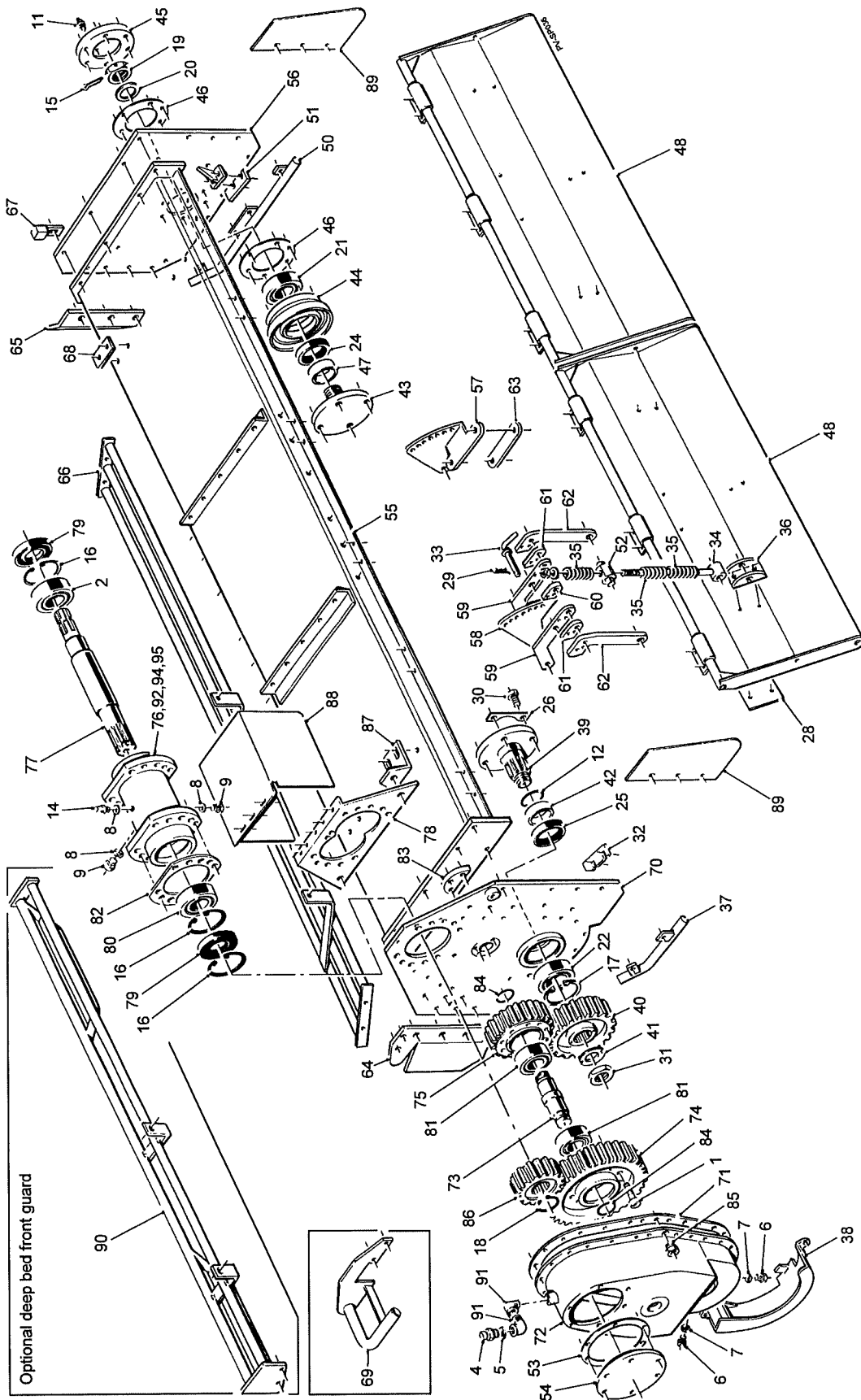
# POWAVATOR 400 SPARE PARTS

2.2

Machines from Serial No PV400200-195

## LH Hull Assembly (for 200 & 240 models)

Assy No DWS200



## 2.2a

## POWAVATOR 400 SPARE PARTS

Machines from Serial No PV400200-195

LH Hull Assembly (for 200 &amp; 240 models)

Assy No DWS200

Item	Part No.	Description	Qty.	Remarks
1	22015012/060	M12x60mm Socket Head Cap Screw	10	
2	6313	Bearing	1	
3				
4	DWS538	3/4"BSP Breather	1	
5	11123	3/4"BSP Dowty Seal	1	
6	11876/8	1/4"BSP Blanking Plug	2	Was 11292 (1/8"BSP)
7	11337	1/4"BSP Dowty Seal	2	Was 11294 (1/8"BSP)
8	11125	3/8"BSP Dowty Seal	3	Prior to 2017 was 11337
9	11293	3/8"BSP Blanking Plug	2	Prior to 2017 was 11876/8
10				
11	DW202030580	1/4"UNF Grease Nipple	1	
12	DW202071150	O'Ring (Ø69.5x3mm)	1	
13				
14	42653	3/8"BSP Breather	1	Prior to 2017 was DW203032010
15	DW208016760	Split Pin (Ø5x80mm)	1	
16	DW208101630	Internal Circlip (Ø140mm)	3	Priot to 2017 Qty. x2
17	DW208101650	Internal Circlip (Ø150mm)	1	
18	DW208102420	External Circlip (Ø63mm)	1	
19	DW208109300	M55 Special Locknut	1	
20	DW208109310	M55 Special Lock Washer	1	
21	DW256013311	Bearing	1	
22	DWS517	Bearing	1	Prior to Ser No PV400200-376 part was DW257015351
23				
24	DW261185131	Oil Seal (110x85x13mm)	1	
25	DW261185181	Oil Seal (110x85x18mm)	1	
26	DW800499	Tab Washer	4	
27				
28	DW650784	Backing Plate	2	
29	DW330237	R'Clip	2	
30	DW331320350	M20x35mm Special Setscrew	8	
31	DW650018	Special Nut	1	
32	DW650076	Cutter Blade	1	Used prior to PV/-962 only
33	DW650113	Pin	2	
34	DW650120	Spring Bar	2	
35	DW650124	Spring	6	
36	DW650125	Support Bracket	2	
37	DW800380	LH Skid	1	
38	DWS1259	LH Ground Skid	1	Prior to 2019 was DWS1067
39	DWS537	Rotor Drive Shaft	1	Prior to Ser No PV400200-376 part was DW800386
40	DW800387	30T Gear	1	
41	DW800388	Tab Washer	1	
42	DW800389	Oil Seal Sleeve	1	
43	DW800412	Rotor Stub Shaft	1	
44	DW800413	Bearing Housing	1	
45	DW800414	Cover Plate	1	
46	DW800415	Gasket	2	
47	DW800416	Spacer	1	
48	DW800419	120"Trailing Board	2	
	DW800420	100"Trailing Board	2	
49				
50	DW800435	Skid	1	
51	DW800444	Cutter Blade	1	Used prior to PV/-962 only
52	DW801282	Trunnion	2	
53	DW804190	Gear Cover Gasket	1	
54	DW804191	Gear Cover	1	

# POWAVATOR 400 SPARE PARTS

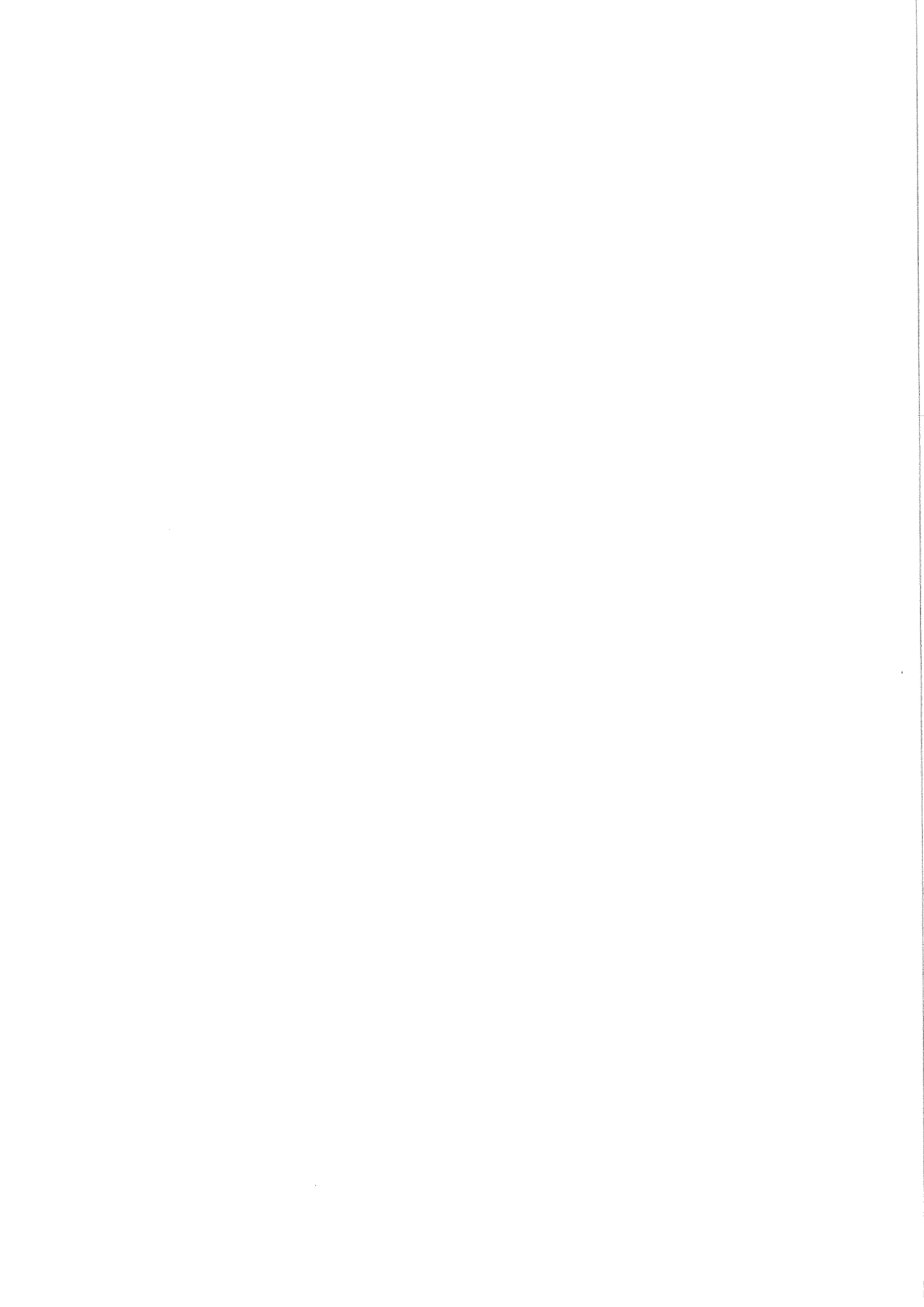
2.2b

Machines from Serial No PV400200-195

LH Hull Assembly (for 200 & 240 models)

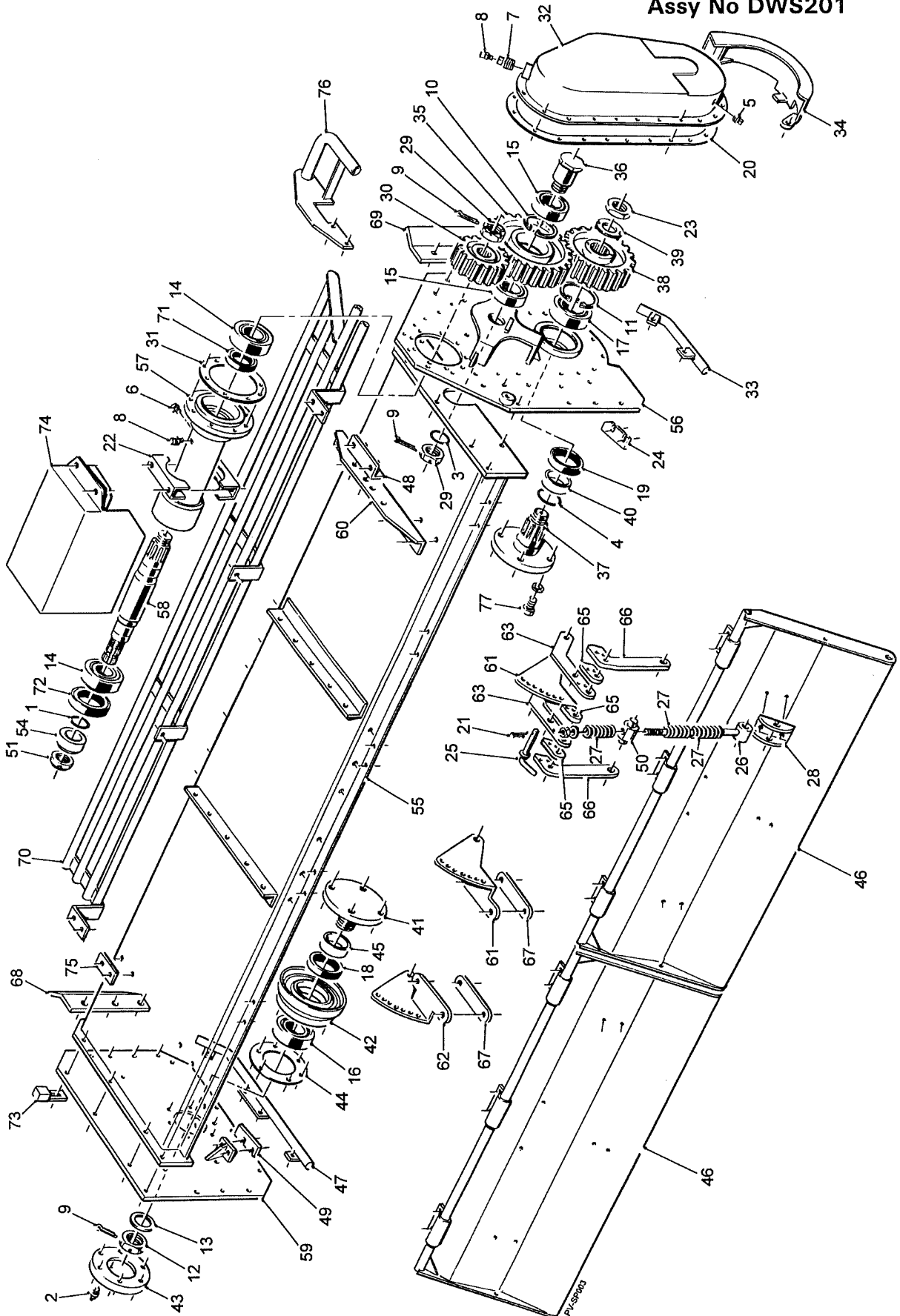
Assy No DWS200

Item	Part No.	Description	Qty.	Remarks
55	DWS185	100"Hull	1	
	DWS584	120"Hull	1	
56	DWS1384	Side Plate	1	Prior to /-962 was DWS191
57	DWS206	LH Bracket	1	
58	DWS207	RH Bracket	1	
59	DWS208	Pivot Arm	4	
60	DWS209	Centre Spacer	2	
61	DWS210	Side Spacer	4	
62	DWS211	Trunnion Arm	4	
63	DWS212	Clamp Strip	2	
64	DWS528	LH Wear Plate	1	Prior to Ser No PV400200-376
65	DWS214	RH Wear Plate	1	part was DWS213
66	DWS530	100"LH Front Guard	1	Prior to Ser No PV400200-376
	DWS322	120"LH Front Guard	1	part was DWS215
67	DWS302	Stop Block	1	Used prior to Ser No PV/-376 only
68	DWS366	Guard Spacer	1	Used prior to Ser No PV/-376 only
69	DWS372	LH Corner Guard	1	Used prior to Ser No PV/-376 only
70	DWS421A	LH Gearcase Backplate	1	Prior to PV/-962 was DWS421
71	DWS423	Gasket	1	
72	DWS424	Gearcase	1	
73	DWS425	Idler Shaft	1	
74	DWS426	40T Idler Gear	1	
75	DWS427	27T Idler Gear	1	
76	DWS428	Jackshaft Housing	1	
77	DWS429	Jackshaft	1	
78	DWS430	Jackshaft Support	1	
79	DWS431	Oil Seal (140x65x14mm)	2	
80	DWS432	Bearing	1	
81	DWS433	Bearing	2	
82	DWS434	Gasket	1	
83	DWS435	Idler Shaft Retainer	1	
84	DWS436	O'Ring (Ø37.69x3.53mm)	2	
85	DWS437	Spigot Nut	2	
86	DWS438	16T Jackshaft Gear	1	
	DWS439	20T Jackshaft Gear	1	
87	DWS477	Support Angle	2	
88	DWS480	Clutch Guard	1	
89	DWS481	Side Guard	2	
90	DWS533	Deep Bed 100"LH Front Guard	1	Optional
	*****	Deep Bed 120"LH Front Guard	1	Optional
91	DWS605	3/4"BSP 90°Elbow	2	
92	DWS503	M12 DUBO Retaining Ring	12	
93				
94	22041012	M12 Nyloc Nut	10	Part No was DW307512055
95	22015012/045	M12 Cap Head Set Screw	10	Part No was DW309112455





**RH Hull Assembly**  
Assy No DWS201



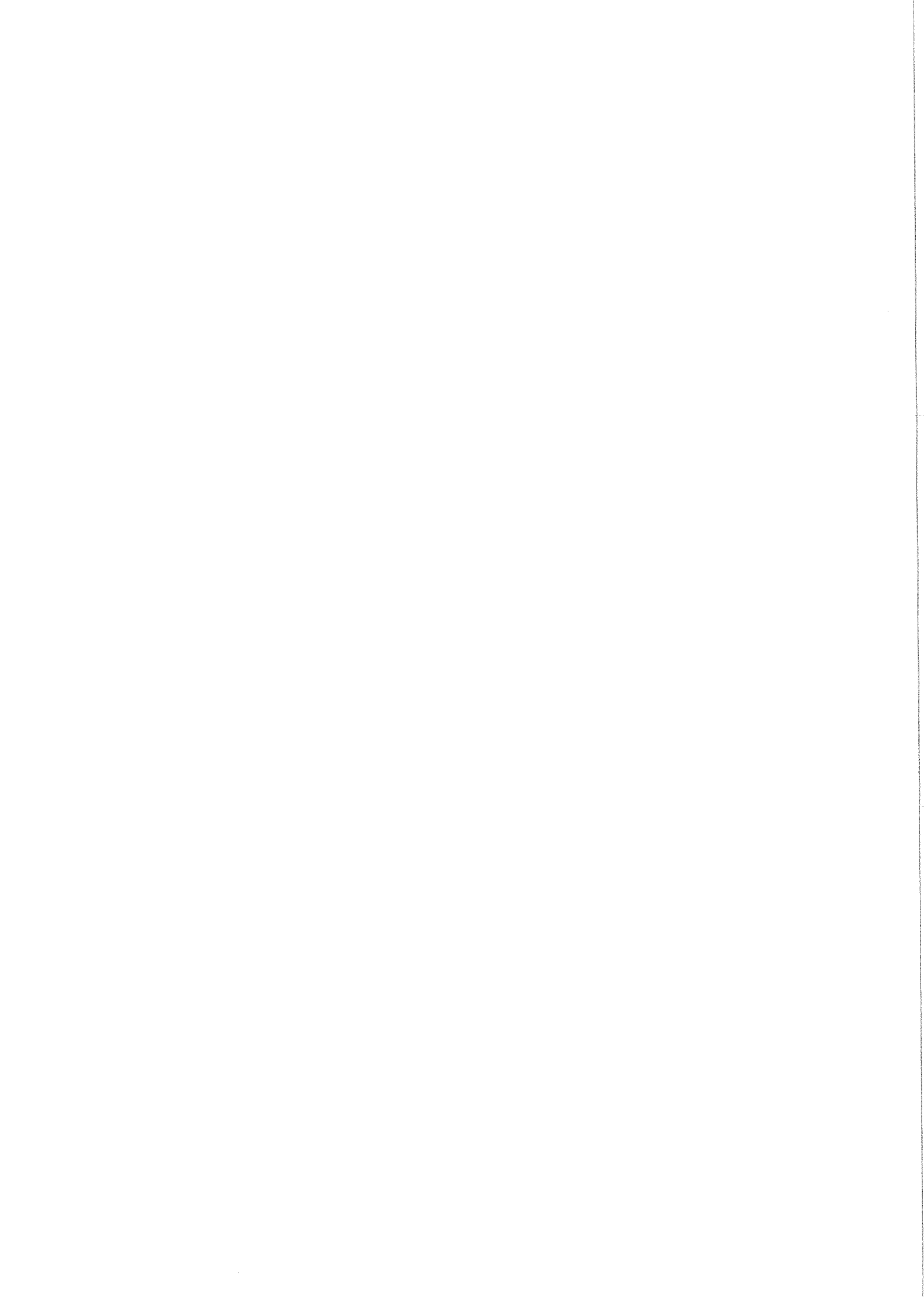
## RH Hull Assembly

Assy No DWS201

Item	Part No.	Description	Qty.	Remarks
1	DW202025130	O'Ring	1	
2	DW202030580	1/4"UNF Grease Nipple	1	
3	DW202070520	O'Ring (Ø39.5x3mm)	1	
4	DW202071150	O'Ring (Ø69.5x3mm)	1	
5	DW203031160	1/8"BSP Square Head Plug	1	
6	DW203031180	3/8"BSP Square Head Plug	1	
7	DW203031200	3/4"BSP Square Head Plug	1	
8	DW203032010	1/8"BSP Breather	2	
9	DW208016760	Split Pin (Ø5x80mm)	3	
10	DW208101570	Internal Circlip (Ø112mm)	1	
11	DW208101650	Internal Circlip (Ø150mm)	1	
12	DW208109300	M55 Special Locknut	1	
13	DW208109310	M55 Special Lock Washer	1	
14	DW252247161	Bearing	2	
15	DW252644121	Bearing	2	
16	DW256013311	Bearing	1	
17	DW257015351	Bearing	1	
18	DW261185131	Oil Seal (110x85x13mm)	1	
19	DW261185181	Oil Seal (110x85x18mm)	1	
20	DW305069	Gasket	1	
21	DW330237	R'Clip	3	
22	DW335158	Clamp Half	2	
23	DW650018	Special Nut	1	
24	DW650076	Cutter Blade	1	
25	DW650113	Pin	3	
26	DW650120	Spring Bar	3	
27	DW650124	Spring	9	
28	DW650125	Support Bracket	3	
29	DW800330	M40 Special Castellated Nut	2	
30	DW800331	19T Gear	1	
31	DW800335	Gasket	1	
32	DWS195	RH Gearcase	1	
33	DWS196	RH Skid	1	
34	DWS194	RH Ground Skid	1	
35	DW800384	35T Idler Gear	1	
36	DW800385	Idler Shaft	1	
37	DW800386	Rotor Drive Shaft	1	
38	DW800387	30T Gear	1	
39	DW800388	Tab Washer	1	
40	DW800389	Oil Seal Sleeve	1	
41	DW800412	Rotor Stub Shaft	1	
42	DW800413	Bearing Housing	1	
43	DW800414	Cover Plate	1	
44	DW800415	Gasket	1	
45	DW800416	Spacer	1	
46	DW800419	120" Trailing Board	2	
	DW800420	100" Trailing Board	2	
47	DWS197	Skid	1	
48	DW800437	Support Angle	1	
49	DW800444	Cutter Blade	1	
50	DW801282	Trunnion	3	
51	DW820741	Cam-Clutch Nut	1	
52				
53				

**SPARE PARTS****2.3b****RH Hull Assembly****Assy No DWS201**

<b>Item</b>	<b>Part No.</b>	<b>Description</b>	<b>Qty.</b>	<b>Remarks</b>
54	DWS163	Spacer	1	
55	DWS185	100" Hull	1	
	DWS321	120" Hull	1	
56	DWS193	RH Gearcase Backplate	1	
57	DWS189	Jackshaft Housing	1	
58	DWS190	Jackshaft	1	
59	DWS192	Side Plate	1	
60	DWS202	Housing Support	1	
61	DWS206	LH Bracket	2	
62	DWS207	RH Bracket	1	
63	DWS208	Pivot Arm	6	
64	DWS209	Centre Spacer	3	
65	DWS210	Side Spacer	6	
66	DWS211	Trunnion Arm	6	
67	DWS212	Clamp Strip	3	
68	DWS213	LH Wear Plate	1	
69	DWS214	RH Wear Plate	1	
70	DWS216	100" RH Front Guard	1	
	DWS323	120" RH Front Guard	1	
71	DWS270	Oil Seal (90x58x10mm)	1	
72	DWS284	Oil Seal (125x85x12mm)	1	
73	DWS302	Stop Block	1	
74	DWS304	PTO Guard	1	
75	DWS366	Guard Spacer	1	
76	DWS373	RH Corner Guard	1	
77	DW331320350	M20x35mm Special Setscrew	8	





## 2.3a

## POWAVATOR 400 SPARE PARTS

Machines from Serial No PV400200-195

RH Hull Assembly (for 200 &amp; 240 models)

Assy No DWS201

Item	Part No.	Description	Qty.	Remarks
1	22015012/060	M12x60mm Socket Head Cap Screw	10	
2	6313	Bearing	1	
3				
4	DWS538	3/4"BSP Breather	1	
5	11123	3/4"BSP Dowty Seal	1	
6	11876/8	1/4"BSP Blanking Plug	2	Was 11292 (1/8"BSP)
7	11337	1/4"BSP Dowty Seal	2	Was 11294 (1/8"BSP)
8	11125	3/8"BSP Dowty Seal	3	Prior to 2017 was 11337
9	11293	3/8"BSP Blanking Plug	2	Prior to 2017 was 11876/6
10				
11	DW202030580	1/4"UNF Grease Nipple	1	
12	DW202071150	O'Ring (Ø69.5x3mm)	1	
13				
14	42653	3/8"BSP Breather	1	Prior to 2017 was DW203032010
15	DW208016760	Split Pin (Ø5x80mm)	1	
16	DW208101630	Internal Circlip (Ø140mm)	3	Prior to 2017 Qty. x2
17	DW208101650	Internal Circlip (Ø150mm)	1	
18	DW208102420	External Circlip (Ø63mm)	1	
19	DW208109300	M55 Special Locknut	1	
20	DW208109310	M55 Special Lock Washer	1	
21	DW256013311	Bearing	1	
22	DWS517	Bearing	1	Prior to Ser No PV400200-376 part was DW257015351
23				
24	DW261185131	Oil Seal (110x85x13mm)	1	
25	DW261185181	Oil Seal (110x85x18mm)	1	
26	DW800499	Tab Washer	4	
27				
28	DW650784	Backing Plate	2	
29	DW330237	R'Clip	2	
30	DW331320350	M20x35mm Special Setscrew	8	
31	DW650018	Special Nut	1	
32	DW650076	Cutter Blade	1	Used prior to PV/-962 only
33	DW650113	Pin	2	
34	DW650120	Spring Bar	2	
35	DW650124	Spring	6	
36	DW650125	Support Bracket	2	
37	DWS196	RH Skid	1	
38	DWS1260	RH Ground Skid	1	Prior to 2019 was DWS194
39	DWS537	Rotor Drive Shaft	1	Prior to Ser No PV400200-376 part was DW800386
40	DW800387	30T Gear	1	
41	DW800388	Tab Washer	1	
42	DW800389	Oil Seal Sleeve	1	
43	DW800412	Rotor Stub Shaft	1	
44	DW800413	Bearing Housing	1	
45	DW800414	Cover Plate	1	
46	DW800415	Gasket	2	
47	DW800416	Spacer	1	
48	DW800419	120"Trailing Board	2	
	DW800420	100"Trailing Board	2	
49				
50	DWS197	Skid	1	
51	DW800444	Cutter Blade	1	Used prior to PV/-962 only
52	DW801282	Trunnion	2	
53	DW804190	Gear Cover Gasket	1	
54	DW804191	Gear Cover	1	

# POWAVATOR 400 SPARE PARTS

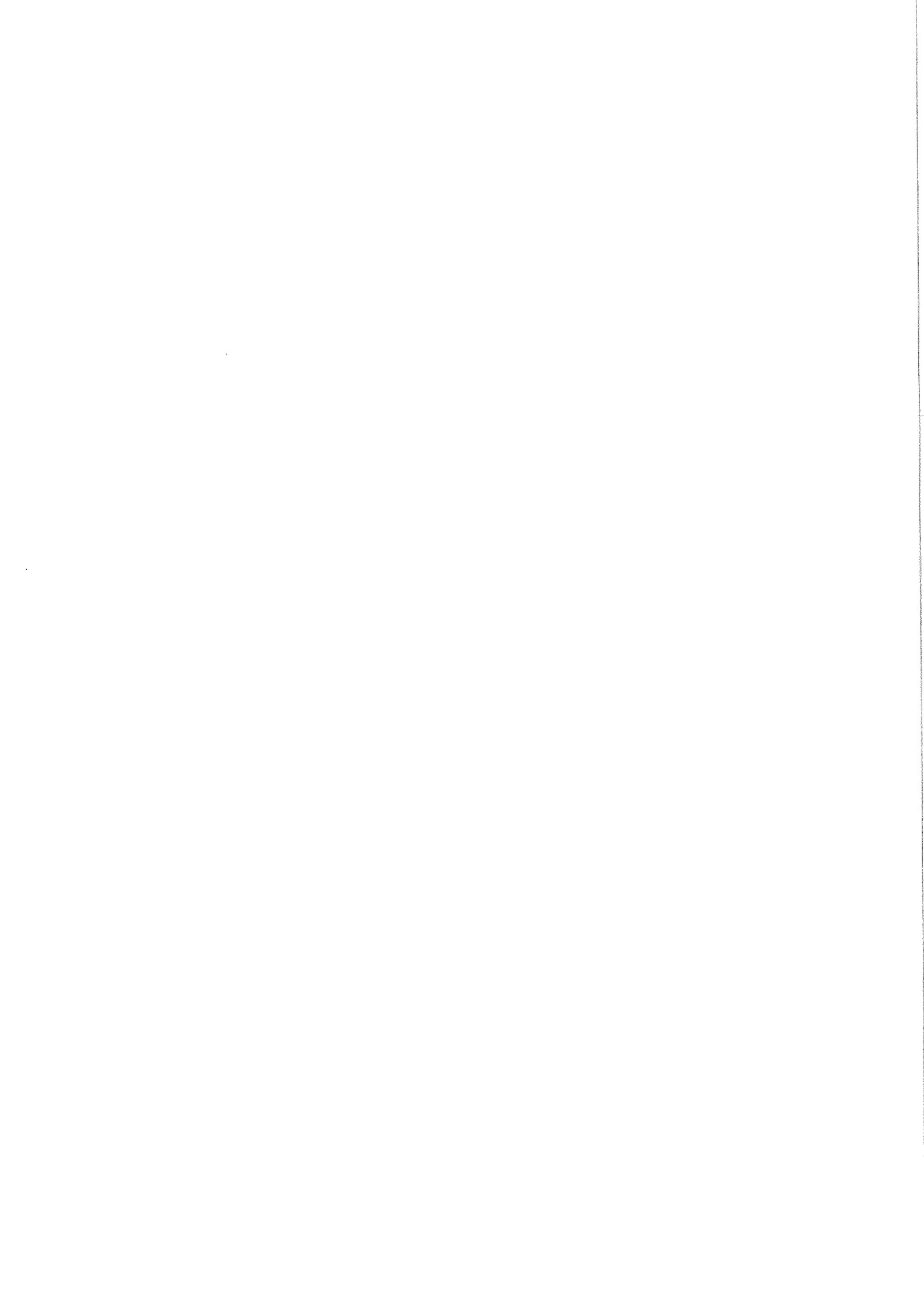
2.3b

Machines from Serial No PV400200-195

**RH Hull Assembly (for 200 & 240 models)**

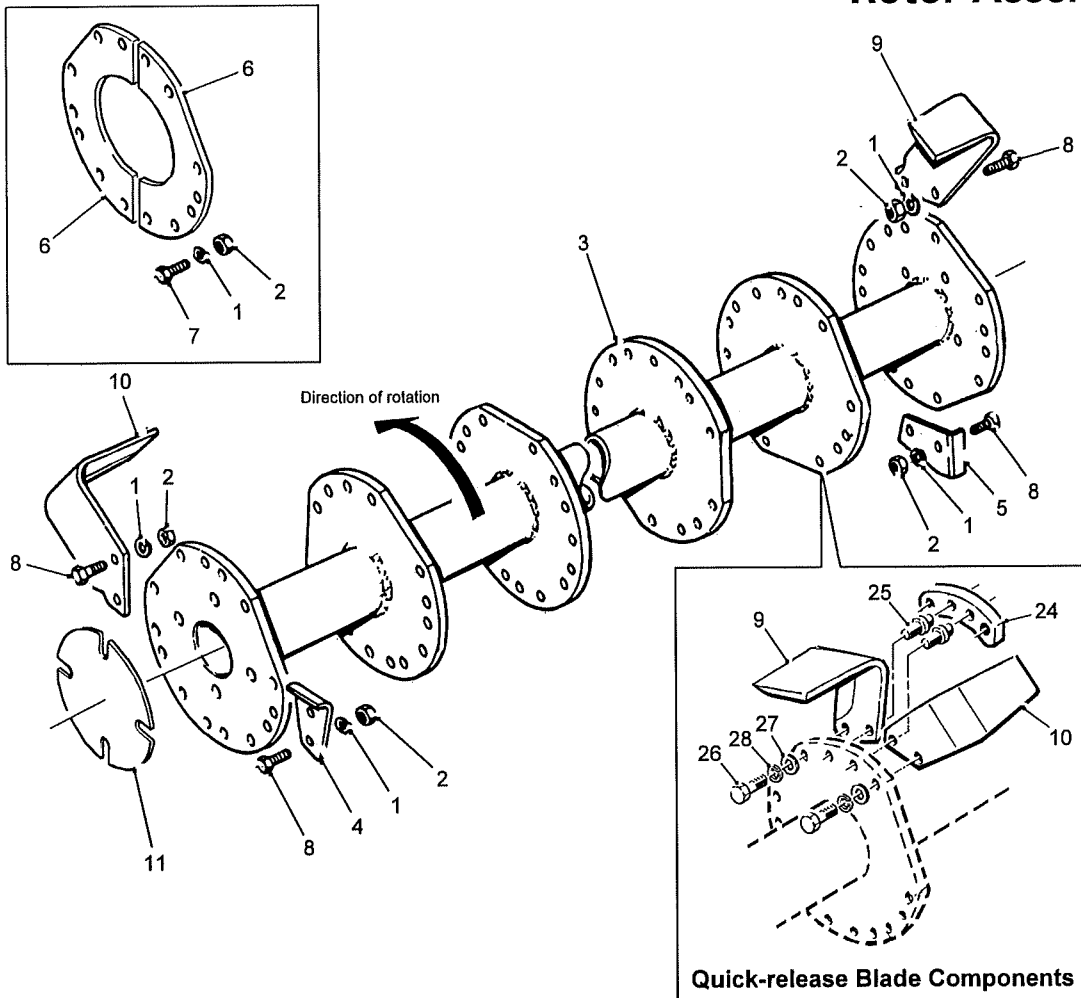
**Assy No DWS201**

Item	Part No.	Description	Qty.	Remarks
55	DWS185	100"Hull	1	
	DWS585	120"Hull	1	
56	DWS1384	Side Plate	1	Prior to PV/-962 was DWS192
57	DWS206	LH Bracket	1	
58	DWS207	RH Bracket	1	
59	DWS208	Pivot Arm	4	
60	DWS209	Centre Spacer	2	
61	DWS210	Side Spacer	4	
62	DWS211	Trunnion Arm	4	
63	DWS212	Clamp Strip	2	
64	DWS213	LH Wear Plate	1	
65	DWS529	RH Wear Plate	1	Prior to Ser No PV400200-376 part was DWS214
66	DWS531	100"RH Front Guard	1	Prior to Ser No PV400200-376
	DWS323	120"RH FRont Guard	1	part was DWS216
67	DWS302	Stop Block	1	Used prior to Ser No PV/-376 only
68	DWS366	Guard Spacer	1	Used prior to Ser No PV/-376 only
69	DWS373	RH Corner Guard	1	Used prior to Ser No PV/-376 only
70	DWS422A	RH Gearcase Backplate	1	Prior to PV/-962 was DWS422
71	DWS423	Gasket	1	
72	DWS424	Gearcase	1	
73	DWS425	Idler Shaft	1	
74	DWS426	40T Idler Gear	1	
75	DWS427	27T Idler Gear	1	
76	DWS428	Jackshaft Housing	1	
77	DWS429	Jackshaft	1	
78	DWS430	Jackshaft Support	1	
79	DWS431	Oil Seal (140x65x14mm)	2	
80	DWS432	Bearing	1	
81	DWS433	Bearing	2	
82	DWS434	Gasket	1	
83	DWS435	Idler Shaft Retainer	1	
84	DWS436	O'Ring (Ø37.69x3.53mm)	2	
85	DWS437	Spigot Nut	2	
86	DWS438	16T Jackshaft Gear	1	
	DWS439	20T Jackshaft Gear	1	
87	DWS477	Support Angle	2	
88	DWS480	Clutch Guard	1	
89	DWS481	Side Guard	2	
90	DWS534	Deep Bed 100"RH Front Guard	1	Optional
	*****	Deep Bed 120"RH Front Guard	1	Optional
91	DWS605	3/4"BSP 90°Elbow	2	
92	DWS503	M12 DUBO Retaining Ring	12	
93				
94	22041012	M12 Nyloc Nut	10	Part No was DW307512055
95	22015012/045	M12 Cap Head Set Screw	10	Part No was DW309112455

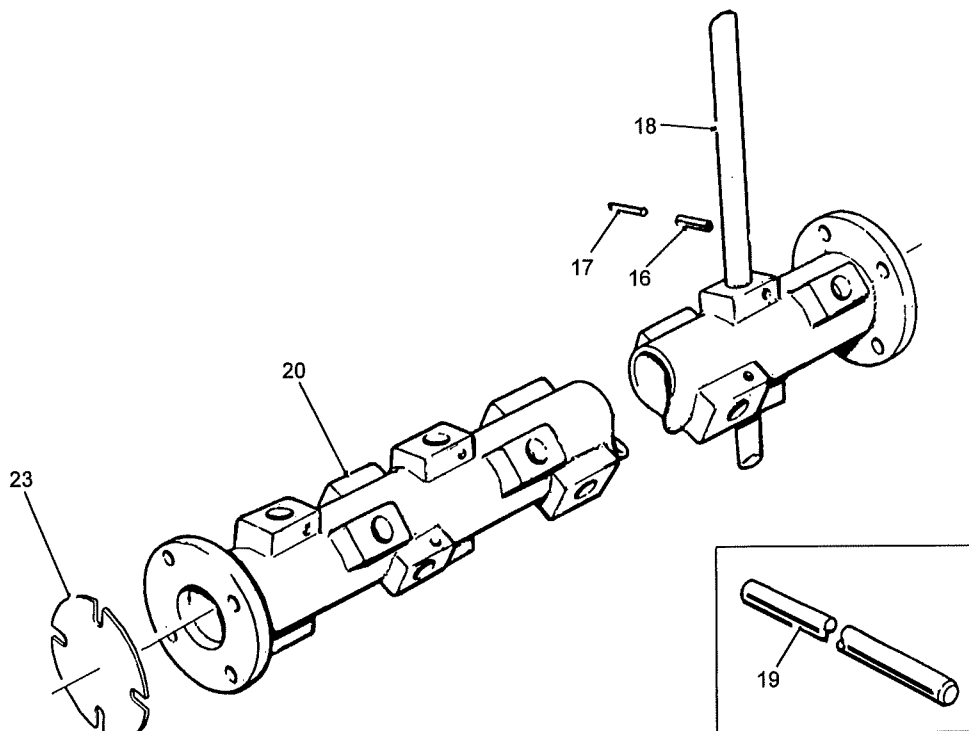




Rotor Assemblies



PV-SP085



## Rotor Assemblies

Item	Part No.	Description	Qty.	Remarks
		<b>Blade Rotor Assemblies Consist Of:</b>		
1	DW209019420	M16 Spring Washer	88	(70"rotor)
	DW209019420	M16 Spring Washer	124	(100"rotor)
	DW209019420	M16 Spring Washer	148	(120"rotor)
2	DW67557	5/8"UNF Special Nut	88	(70"rotor)
	DW67557	5/8"UNF Special Nut	124	(100"rotor)
	DW67557	5/8"UNF Special Nut	148	(120"rotor)
3	DW801301	70"Rotor	1	
	DW800445	120"Rotor	1	
	DW800446	100"Rotor	1	
4	DW800453	Shearing Blade LH	1	
5	DW800454	Shearing Blade RH	1	
6	DW804225	Blade Support Flange (optional)	16	(70"rotor)
	DW804225	Blade Support Flange (optional)	22	(100"rotor)
	DW804225	Blade Support Flange (optional)	26	(120"rotor)
7	DW804226	5/8"UNFx2 3/8"Special Bolt (optional)	88	(70"rotor)
	DW804226	5/8"UNFx2 3/8"Special Bolt (optional)	124	(100"rotor)
	DW804226	5/8"UNFx2 3/8"Special Bolt (optional)	148	(120"rotor)
8	DW9850	5/8"UNFx1 7/8"Special Bolt	88	(70"rotor)
	DW9850	5/8"UNFx1 7/8"Special Bolt	124	(100"rotor)
	DW9850	5/8"UNFx1 7/8"Special Bolt	148	(120"rotor)
9	DW9862	LH Blade ('L' blade)	21	(70"rotor)
	DW9862	LH Blade ('L' blade)	30	(100"rotor)
	DW9862	LH Blade ('L' blade)	36	(120"rotor)
10	DW9863	RH Blade ('L' blade)	21	(70"rotor)
	DW9863	RH Blade ('L' blade)	30	(100"rotor)
	DW9863	RH Blade ('L' blade)	36	(120"rotor)
9	DW9889	LH Blade ('L' blade long shank)	21	(70"rotor)
	DW9889	LH Blade ('L' blade long shank)	30	(100"rotor)
	DW9889	LH Blade ('L' blade long shank)	36	(120"rotor)
10	DW9888	RH Blade ('L' blade long shank)	21	(70"rotor)
	DW9888	RH Blade ('L' blade long shank)	30	(100"rotor)
	DW9888	RH Blade ('L' blade long shank)	36	(120"rotor)
9	DW9950	LH Blade (speed blade)	21	(70"rotor)
	DW9950	LH Blade (speed blade)	30	(100"rotor)
	DW9950	LH Blade (speed blade)	36	(120"rotor)
10	DW9951	RH Blade (speed blade)	21	(70"rotor)
	DW9951	RH Blade (speed blade)	30	(100"rotor)
	DW9951	RH Blade (speed blade)	36	(120"rotor)
11	DWS241	Shim (1mm)	a/r	
	DWS242	Shim (2mm)	a/r	
	DWS243	Shim (4mm)	a/r	
12				
13				
14				
15				
		<b>Spike Rotor Assemblies Consist Of:</b>		
16	DW208015420	Spirol Pin (Ø1/2"x2 1/4")	29	(70"rotor)
	DW208015420	Spirol Pin (Ø1/2"x2 1/4")	41	(100"rotor)
	DW208015420	Spirol Pin (Ø1/2"x2 1/4")	50	(120"rotor)

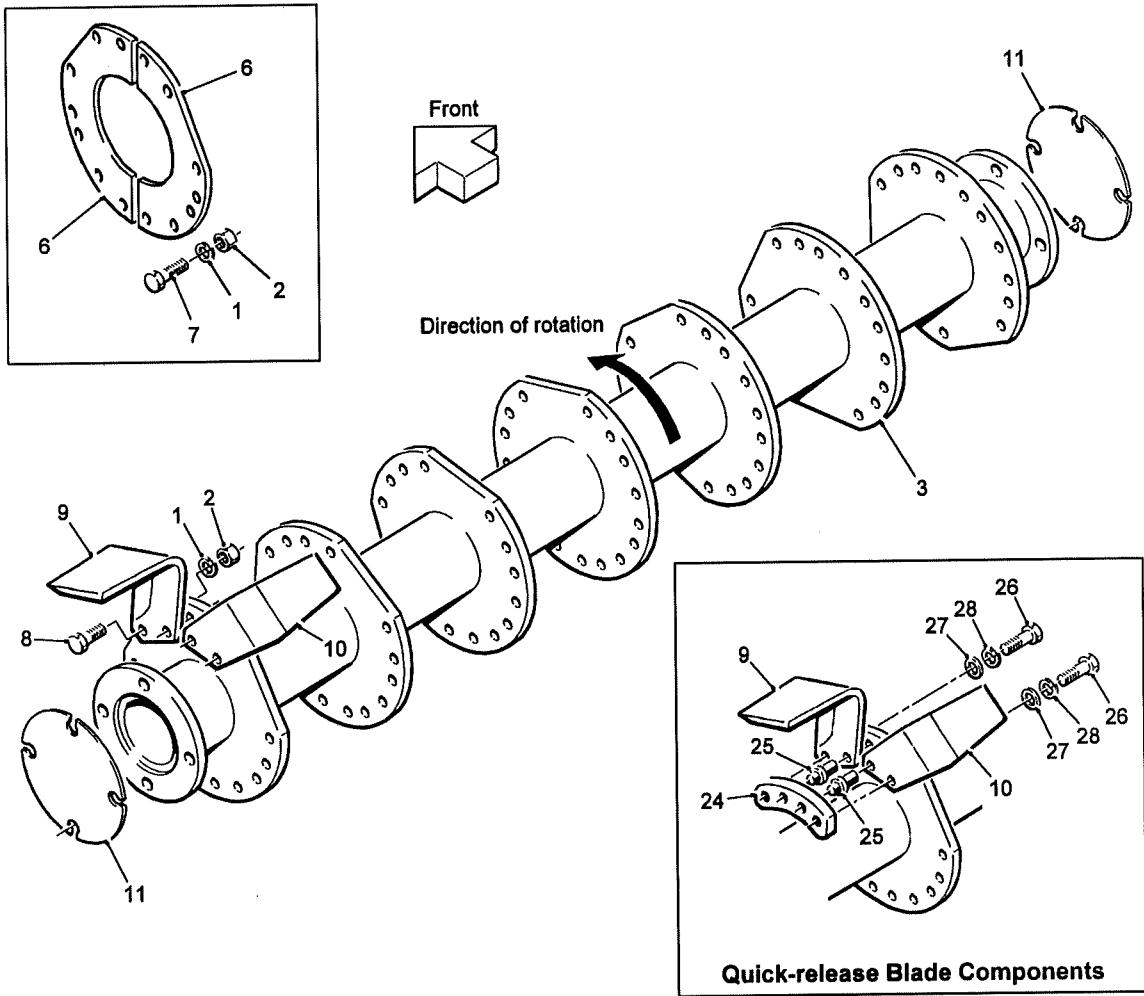
**Rotor Assemblies**

Item	Part No.	Description	Qty.	Remarks
17	DW208086300	Spirol Pin (Ø5x40mm)	29	(70"rotor)
	DW208086300	Spirol Pin (Ø5x40mm)	41	(100"rotor)
	DW208086300	Spirol Pin (Ø5x40mm)	50	(120"rotor)
18	DW305434	Spike	29	(70"rotor)
	DW305434	Spike	41	(100"rotor)
	DW305434	Spike	50	(120"rotor)
19	DW330291	Pin Bar	1	
20	DW800297	70"Spike Rotor	1	
	DW800458	100"Spike Rotor	1	
	DW800697	120"Spike Rotor	1	
21				
22				
23	DWS241	Shim (1mm)	a/r	
	DWS242	Shim (2mm)	a/r	
	DWS243	Shim (4mm)	a/r	
<hr/>				
<b>Quick-release Blade Components</b>				
24	DWS955	Blade Securing Double Plate	36	(70"rotor)
	DWS955	Blade Securing Double Plate	54	(100"rotor)
	DWS955	Blade Securing Double Plate	66	(120"rotor)
25	DWS956	Blade Securing Pin	72	(70"rotor)
	DWS956	Blade Securing Pin	108	(100"rotor)
	DWS956	Blade Securing Pin	132	(120"rotor)
26	DW9850	5/8"UNFx1 7/8"Special Bolt	72	(70"rotor)
	DW9850	5/8"UNFx1 7/8"Special Bolt	108	(100"rotor)
	DW9850	5/8"UNFx1 7/8"Special Bolt	132	(120"rotor)
27	22046016	M16 Flat Washer	72	(70"rotor)
	22046016	M16 Flat Washer	108	(100"rotor)
	22046016	M16 Flat Washer	132	(120"rotor)
28	22053062	M16 Spring Washer	72	(70"rotor)
	22053062	M16 Spring Washer	108	(100"rotor)
	22053062	M16 Spring Washer	132	(120"rotor)

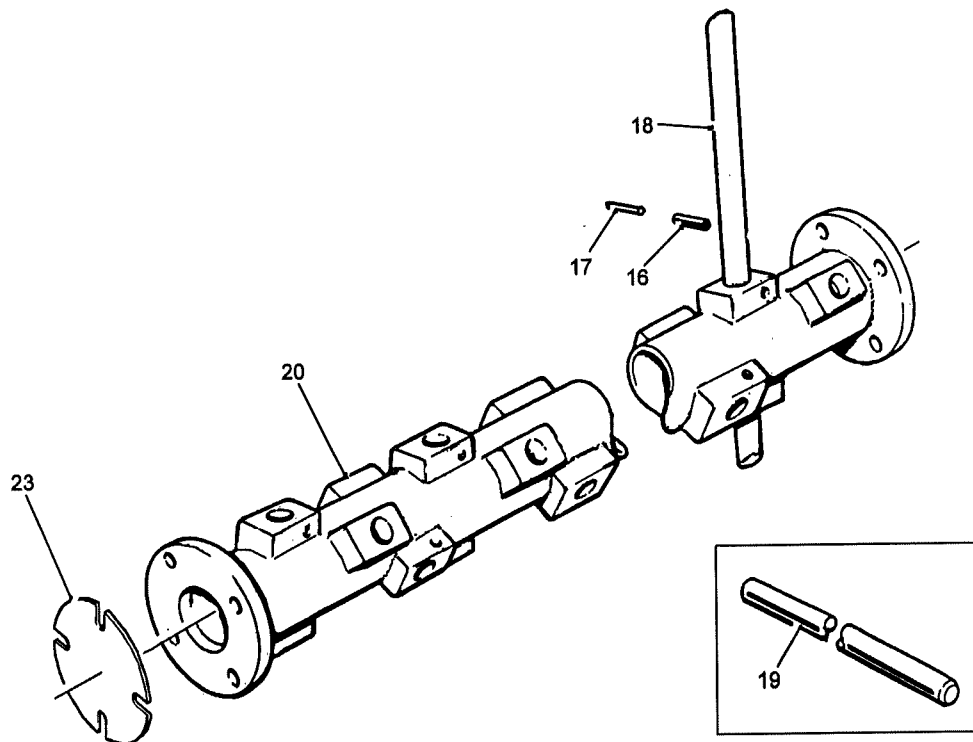


Machines from 2020

## Rotor Assemblies



PV-SP090



## 2.4a

## POWAVATOR 400 SPARE PARTS

Machines from 2020

## Rotor Assemblies

Item	Part No.	Description	Qty.	Remarks
		<b>Blade Rotor Assemblies Consist Of:</b>		
1	DW209019420	M16 Spring Washer	84	(70"rotor)
	DW209019420	M16 Spring Washer	120	(100"rotor)
	DW209019420	M16 Spring Washer	144	(120"rotor)
2	DW67557	5/8"UNF Special Nut	84	(70"rotor)
	DW67557	5/8"UNF Special Nut	120	(100"rotor)
	DW67557	5/8"UNF Special Nut	144	(120"rotor)
3	DWS1195/70	70"Rotor	1	
	DWS1195/100	100"Rotor	1	
	DWS1195/120	120"Rotor	1	
4				
5				
6	DW804225	Blade Support Flange (optional)	14	(70"rotor)
	DW804225	Blade Support Flange (optional)	20	(100"rotor)
	DW804225	Blade Support Flange (optional)	24	(120"rotor)
7	DW804226	5/8"UNFx2 3/8"Special Bolt (optional)	84	(70"rotor)
	DW804226	5/8"UNFx2 3/8"Special Bolt (optional)	120	(100"rotor)
	DW804226	5/8"UNFx2 3/8"Special Bolt (optional)	144	(120"rotor)
8	DW9850	5/8"UNFx1 7/8"Special Bolt	84	(70"rotor)
	DW9850	5/8"UNFx1 7/8"Special Bolt	120	(100"rotor)
	DW9850	5/8"UNFx1 7/8"Special Bolt	144	(120"rotor)
9	DW9862	LH Blade ('L' blade)	21	(70"rotor)
	DW9862	LH Blade ('L' blade)	30	(100"rotor)
	DW9862	LH Blade ('L' blade)	36	(120"rotor)
10	DW9863	RH Blade ('L' blade)	21	(70"rotor)
	DW9863	RH Blade ('L' blade)	30	(100"rotor)
	DW9863	RH Blade ('L' blade)	36	(120"rotor)
9	DW9889	LH Blade ('L' blade long shank)	21	(70"rotor)
	DW9889	LH Blade ('L' blade long shank)	30	(100"rotor)
	DW9889	LH Blade ('L' blade long shank)	36	(120"rotor)
10	DW9888	RH Blade ('L' blade long shank)	21	(70"rotor)
	DW9888	RH Blade ('L' blade long shank)	30	(100"rotor)
	DW9888	RH Blade ('L' blade long shank)	36	(120"rotor)
9	DW9950	LH Blade (speed blade)	21	(70"rotor)
	DW9950	LH Blade (speed blade)	30	(100"rotor)
	DW9950	LH Blade (speed blade)	36	(120"rotor)
10	DW9951	RH Blade (speed blade)	21	(70"rotor)
	DW9951	RH Blade (speed blade)	30	(100"rotor)
	DW9951	RH Blade (speed blade)	36	(120"rotor)
11	DWS241	Shim (1mm)	a/r	
	DWS242	Shim (2mm)	a/r	
	DWS243	Shim (4mm)	a/r	
12				
13				
14				
15				
		<b>Spike Rotor Assemblies Consist Of:</b>		
16	DW208015420	Spirol Pin (Ø1/2"x2 1/4")	29	(70"rotor)
	DW208015420	Spirol Pin (Ø1/2"x2 1/4")	41	(100"rotor)
	DW208015420	Spirol Pin (Ø1/2"x2 1/4")	50	(120"rotor)

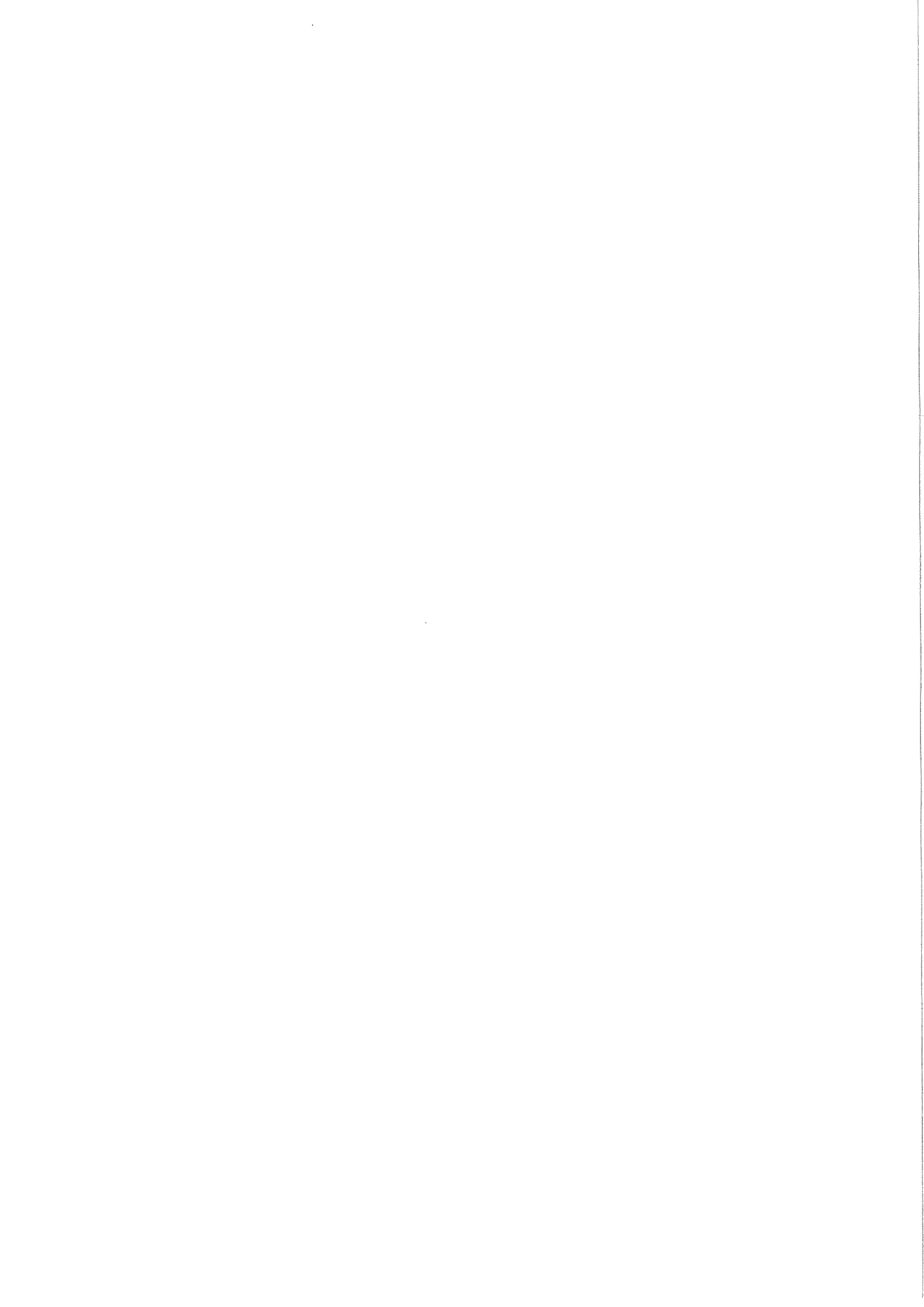
# POWAVATOR 400 SPARE PARTS

2.4b

Machines from 2020

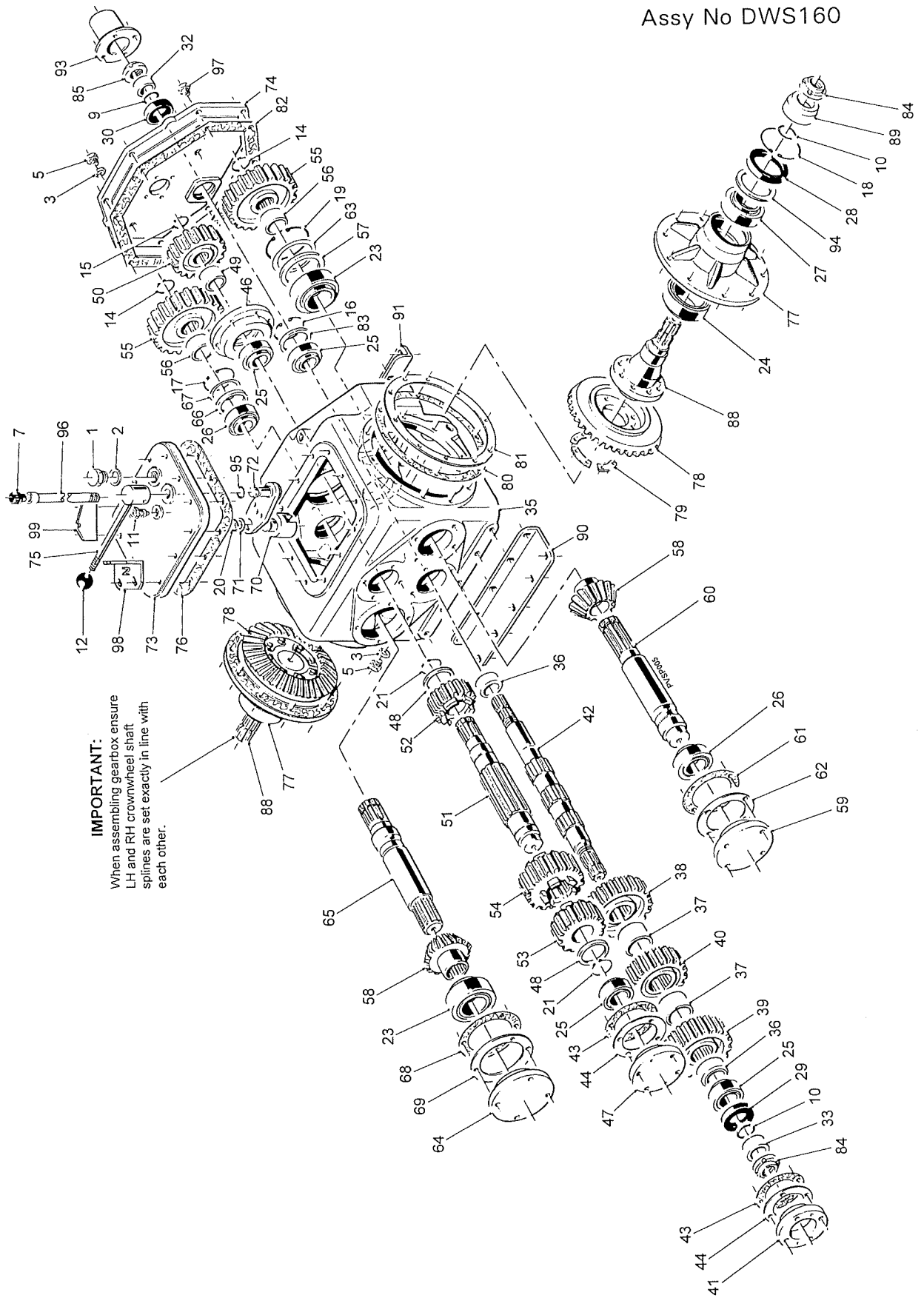
## Rotor Assemblies

Item	Part No.	Description	Qty.	Remarks
17	DW208086300	Spirol Pin (Ø5x40mm)	29	(70"rotor)
	DW208086300	Spirol Pin (Ø5x40mm)	41	(100"rotor)
	DW208086300	Spirol Pin (Ø5x40mm)	50	(120"rotor)
18	DW305434	Spike	29	(70"rotor)
	DW305434	Spike	41	(100"rotor)
	DW305434	Spike	50	(120"rotor)
19	DW330291	Pin Bar	1	
20	DW800297	70"Spike Rotor	1	
	DW800458	100"Spike Rotor	1	
	DW800697	120"Spike Rotor	1	
21				
22				
23	DWS241	Shim (1mm)	a/r	
	DWS242	Shim (2mm)	a/r	
	DWS243	Shim (4mm)	a/r	
<hr/>				
<b>Quick-release Blade Components</b>				
24	DWS955	Blade Securing Double Plate	21	(70"rotor)
	DWS955	Blade Securing Double Plate	30	(100"rotor)
	DWS955	Blade Securing Double Plate	36	(120"rotor)
25	DWS956	Blade Securing Pin	42	(70"rotor)
	DWS956	Blade Securing Pin	60	(100"rotor)
	DWS956	Blade Securing Pin	72	(120"rotor)
26	DW9850	5/8"UNFx1 7/8"Special Bolt	42	(70"rotor)
	DW9850	5/8"UNFx1 7/8"Special Bolt	60	(100"rotor)
	DW9850	5/8"UNFx1 7/8"Special Bolt	72	(120"rotor)
27	22046016	M16 Flat Washer	42	(70"rotor)
	22046016	M16 Flat Washer	60	(100"rotor)
	22046016	M16 Flat Washer	72	(120"rotor)
28	22053062	M16 Spring Washer	42	(70"rotor)
	22053062	M16 Spring Washer	60	(100"rotor)
	22053062	M16 Spring Washer	72	(120"rotor)





## Gearbox Assembly Assy No DWS160



## 2.5a

## POWAVATOR 400 SPARE PARTS

## Gearbox Assembly

Assy No DWS160

Item	Part No.	Description	Qty.	Remarks
1	11117	3/4" BSP Blanking Plug	1	
2	11123	3/4" BSP Dowty Seal	1	
3	11124	1/2" BSP Dowty Seal	4	
4				
5	24383	1/2" BSP Blanking Plug	4	
6				
7	42653	3/8" Breather	1	
8				
9	DW202023950	O'Ring	1	
10	DW202025130	O'Ring	3	
11	DW204061084	Plunger Complete	1	
12	DW207002140	Knob	1	
13				
14	DW208002160	Ø2 1/4" External Circlip	2	
15	DW208002850	Ø48mm External Circlip	1	
16	DW208101460	Internal Circlip	1	
17	DW208101500	Ø95mm External Circlip	1	
18	DW208101590	Ø120mm Internal Circlip	2	
19	DW208101605	Ø127mm Internal Circlip	1	
20	DW208102310	Ø40mm External Circlip	1	
21	DW208102420	Ø63mm External Circlip	2	
22				
23	DW252850141	Bearing	2	
24	DW253353130	Bearing	2	
25	DW255084220	Bearing	4	
26	DW256095232	Bearing	2	
27	DW256512255	Bearing	2	
28	DW261285101	Oil Seal	2	
29	DW263022043	Oil Seal	1	
30	DW267555122	Oil Seal (75x55x12mm)	1	
31				
32	DW335029	Sleeve	1	
33	DW800502	Spacer	1	
34				
35	DW805012	Gearcase	1	
36	DW805013	Spacer	2	
37	DW805014	Spacer	2	
38	DW805016	27T Gear	1	
39	DW805017	25T Gear	1	
40	DW805018	23T Gear	1	
41	DW805019	Input Shaft Cover	1	
42	DW805020	Input Shaft	1	
43	DW805021	Gasket	2	
44	DW805022	Shim (0.1mm)	a/r	
	DW805023	Shim (0.2mm)	a/r	
	DW805024	Shim (0.5mm)	a/r	
45				
46	DW805029	Bearing Housing	1	
47	DW805030	Driven Shaft Cover	1	
48	DW805031	Thrust Washer	2	
49	DW805032	Spacer	1	
50	DWS441	25T Gear	1	
51	DW805034	Driven Shaft	1	
52	DW805035	19T Gear	1	
53	DW805036	21T Gear	1	

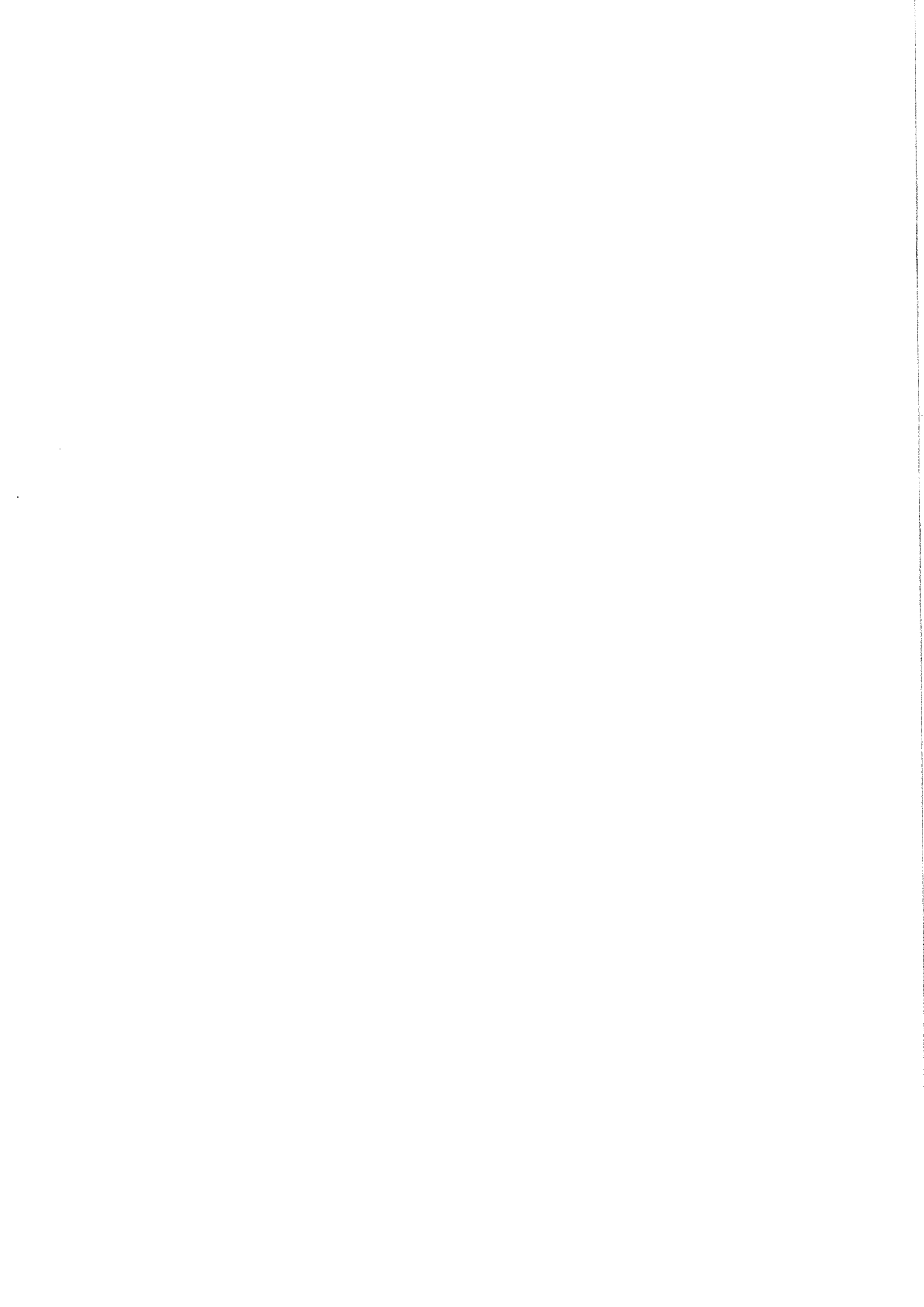
# POWAVATOR 400 SPARE PARTS

2.5b

## Gearbox Assembly

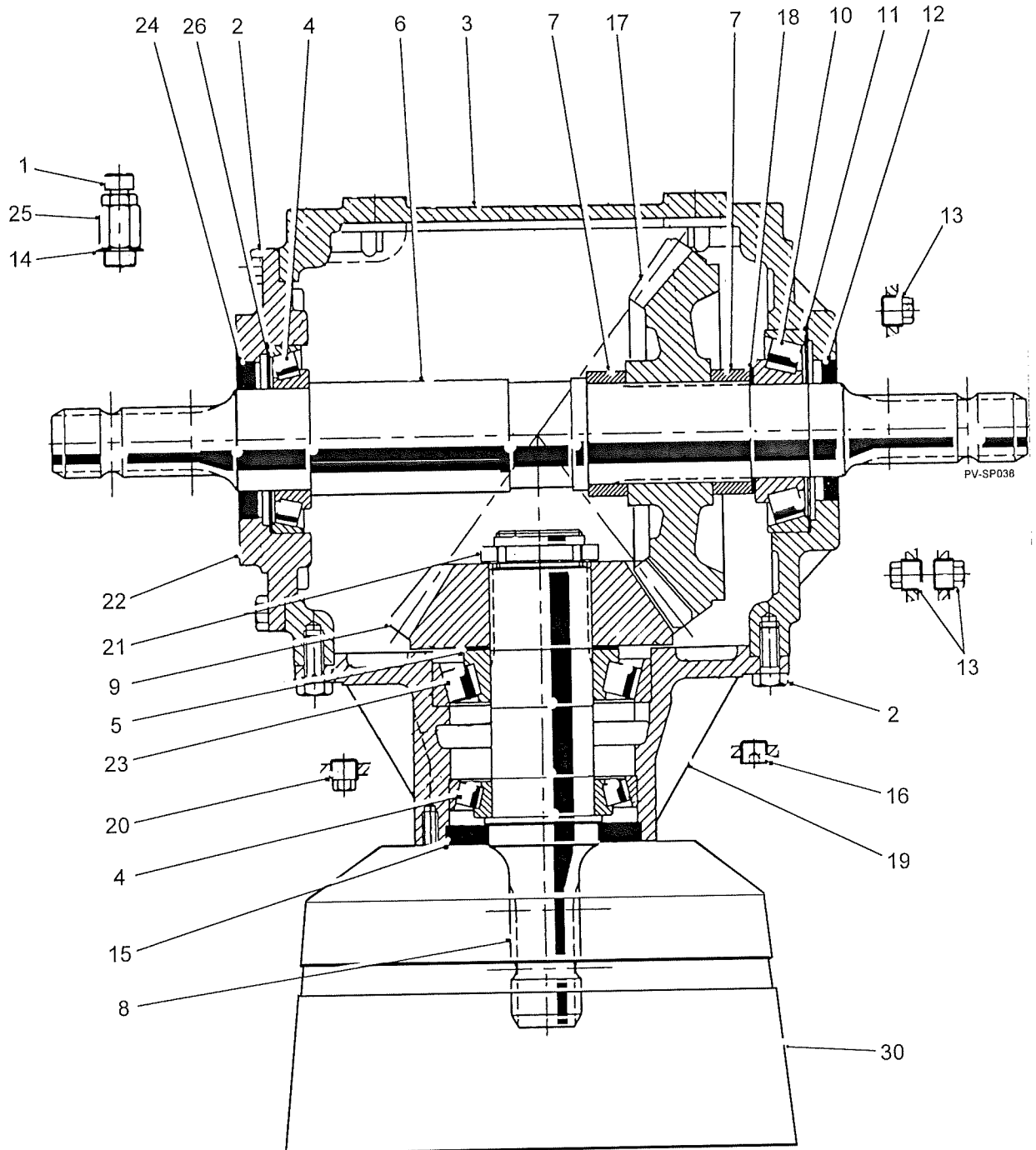
Assy No DWS160

Item	Part No.	Description	Qty.	Remarks
54	DW805037	23T Gear	1	
55	DWS442	26T Gear	2	
56	DW805039	Spacer	2	
57	DW805040	Support Washer	1	
58	DW805041	14T Pinion	2	
59	DW805042	LH Pinion Shaft Cover	1	
60	DW805043	LH Pinion Shaft	1	
61	DW805044	Gasket	1	
62	DW805045	Shim (0.5mm)	a/r	
	DW805046	Shim (0.2mm)	a/r	
	DW805047	Shim (0.1mm)	a/r	
63	DW805048	Shim (0.5mm)	a/r	
	DW805049	Shim (0.2mm)	a/r	
	DW805050	Shim (0.1mm)	a/r	
64	DW805051	RH Pinion Shaft Cover	1	
65	DW805052	RH Pinion Shaft	1	
66	DW805053	Support Washer	1	
67	DW805054	Shim (0.5mm)	a/r	
	DW805055	Shim (0.2mm)	a/r	
	DW805056	Shim (0.1mm)	a/r	
68	DW805057	Gasket	1	
69	DW805058	Shim (0.5mm)	a/r	
	DW805059	Shim (0.2mm)	a/r	
	DW805060	Shim (0.1mm)	a/r	
70	DW805062	Selector	1	
71	DW805063	Thrust Washer	1	
72	DW805064	Selector Arm	1	
73	DW805069	Selector Cover	1	
74	DW805070	Rear Cover	1	
75	DW805085	Selector Handle	1	
76	DW805086	Gasket	1	
77	DW805072	Crownwheel Housing	2	
78	DW805077	33T Crownwheel	2	
79	DW805079	Tab Washer	8	
80	DW805081	Gasket	2	
81	DW805082	Shim (0.5mm)	a/r	
	DW805083	Shim (0.2mm)	a/r	
82	DW805228	Rear Cover Gasket	1	
83	DW805015	Support Ring	1	
84	DW820741	1 7/8"UNF Cam Clutch Nut	3	
85	DW821858	Cam Clutch Nut	1	
86				
87				
88	DWS162	Crownwheel Shaft	2	
89	DWS163	Spacer	2	
90	DWS271	Front Bracket	1	
91	DWS272	Rear Bracket	1	
92				
93	DWS310	Output Shaft Guard	1	
94	DWS316	Seal Spacer	3	
95	DWS331	O'Ring	1	
96	DWS344	Breather Pipe	1	
97	DWS282	Spigot Nut	2	
98	DWS351	Neutral Gate	1	
99	DWS352	Neutral Gate	1	



Machines from Serial No PV400200-195

## Gearbox Assembly Assy No DWS419



## 2.5a

## POWAVATOR 400 SPARE PARTS

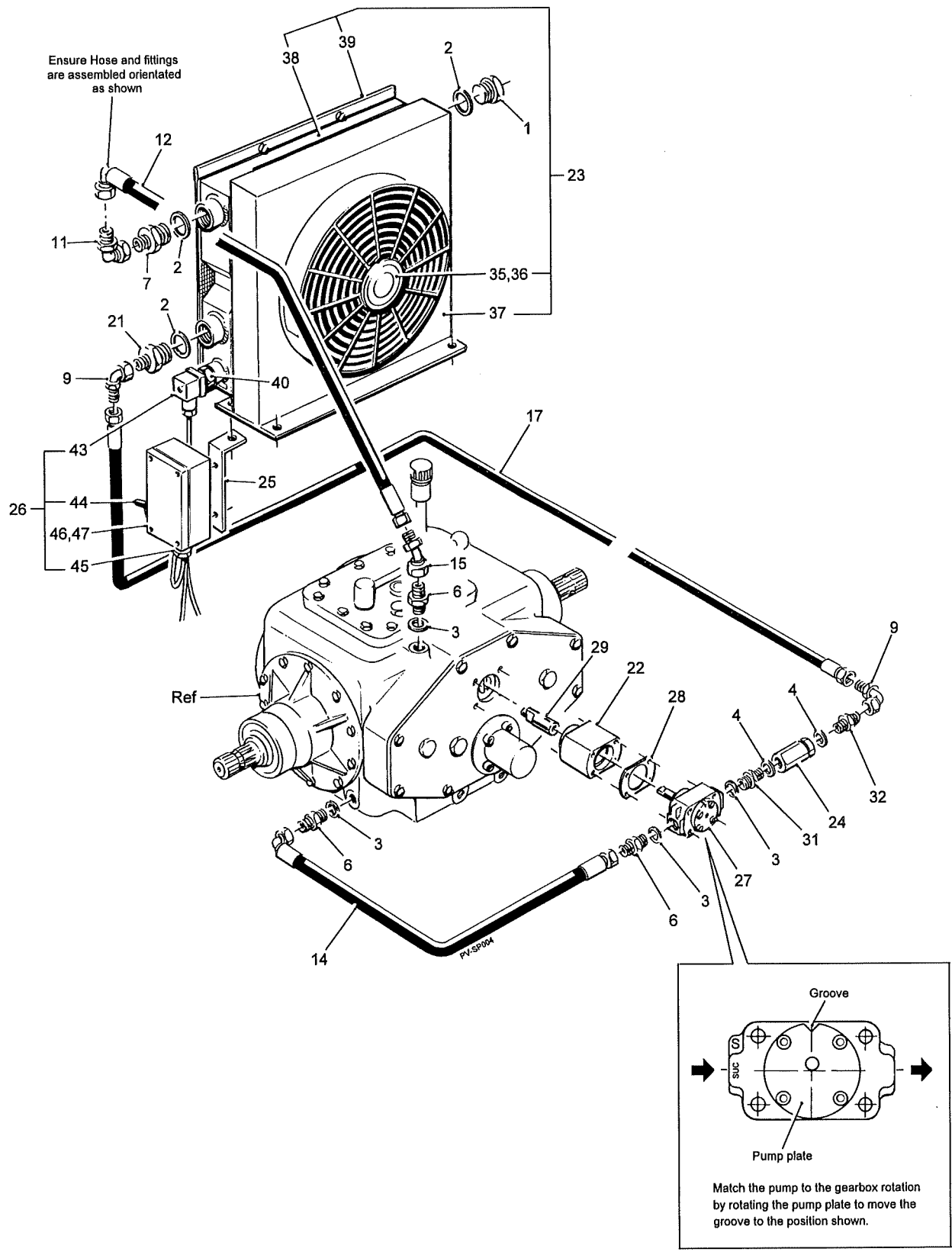
Machines from Serial No PV400200-195

## Gearbox Assembly

Assy No DWS419

Item	Part No.	Description	Qty.	Remarks
1	DWS419/1	1/2" Plug	1	
2	DWS419/2	M12x30 Bolt	18	
3	DWS419/3	Gearcase	1	
4	DW256512255	Bearing	2	
5	DWS419/5	Shim	1	
6	DWS419/6	Output Shaft	1	
7	DWS419/7	Crown Wheel Spacer	2	
8	DWS419/8	Input Shaft	1	
9	DWS419/9	23T Pinion	1	
10	DWS419/10	Bearing	1	
11	DWS419/11	Shim	1	
12	DWS419/12	Oil Seal (90x60x8)	1	
13	DWS419/13	1/2" Plug	3	
14	DWS419/14	Copper Washer (46x28x1)	1	
15	DWS419/15	Double Lip Seal	1	
16	DWS419/16	3/8" Plug	1	
17	DWS419/17	31T Crown Wheel	1	
18	DWS419/18	Shim	1	
19	DWS419/19	Input Shaft Housing	1	
20	DWS419/20	3/8" Plug	1	
21	DWS419/21	M55x2 Nut	1	
22	DWS419/22	Gearcase Cover Plate	1	
23	DWS419/23	Bearing	1	
24	DWS419/24	Oil Seal (100x65x10)	1	
25	DWS419/25	1/2" Oil Plug Extension	1	
26	DWS419/26	Shim	1	
27				
28				
29				
30	DWS490	Gearbox Guard	3	

**Oil Cooler Assembly  
Assy No DWS314**

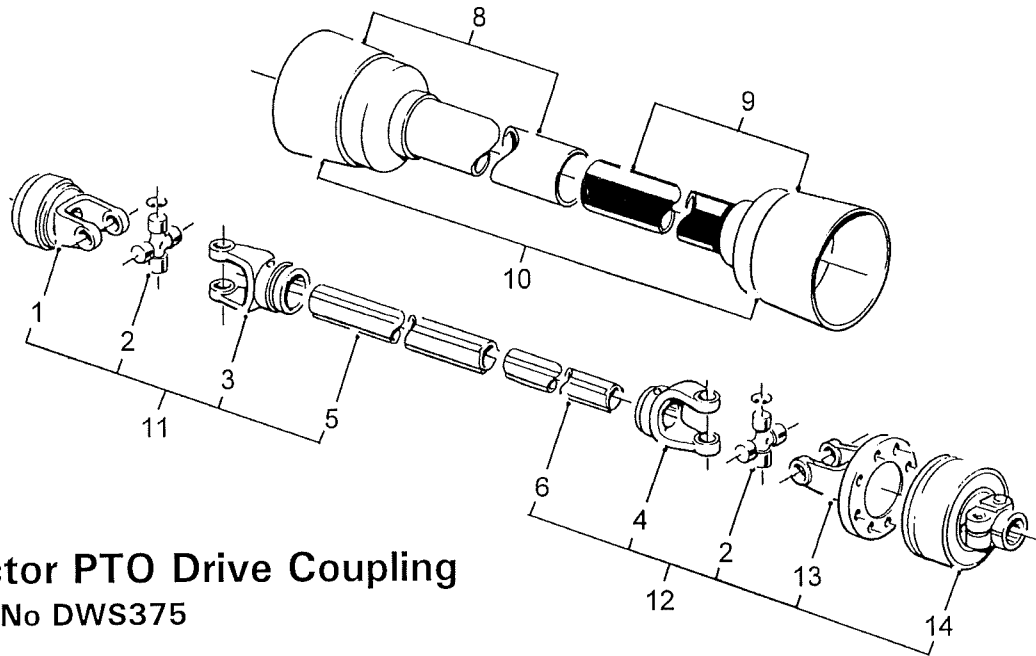


## Oil Cooler Assembly

Assy No DWS314

Item	Part No.	Description	Qty.	Remarks
1	11116	1"BSP Blanking Plug	1	
2	11122	1"BSP Dowty Seal	3	
3	11124	1/2"BSP Dowty Seal	4	
4	11125	3/8"BSP Dowty Seal	2	
5				
6	12315	1/2"BSP M M Adaptor	3	
7	12521	1/2"BSPx1"BSP M M Adaptor	1	
8				
9	13189	3/8"BSP M F Compact 90°Adaptor	2	
10				
11	26086	1/2"BSP M F Swept 90°Adaptor	1	
12	27442	1/2"Hose Assembly (900mm)	1	
13				
14	42323	1/2"Hose Assembly (600mm)	1	
15	44376	1/2"BSP M F Swept 45°Adaptor	1	
16				
17	52122	3/8"Hose Assembly (1100mm)	1	
18				
19				
20				
21	DW222008051	3/8"BSPx1"BSP M M Adaptor	1	
22	DWS283	Pump Spacer	1	
23	DWS303	Oil Cooler Complete	1	(see list at end)
24	DWS319	3/8"BSP Non-Return Valve	1	
25	DWS334	Bracket	1	
26	DWS335	Electrics	1	(see list at end)
27	DWS93	Pump	1	
28	DWS93/1	Gasket	1	
29	DWS95	Coupling Shaft	1	
30				
31	UC25	1/2"BSPx3/8"BSP M M Adaptor	1	
32	UC31A	3/8"BSP M M Adaptor	1	
33				
34				
	<b>DWS303</b>	<b>Oil Cooler Complete Consists Of:</b>		
35	DWS303/1	12V D.C. Fan Motor	1	
36	DWS303/2	Fan	1	
37	DWS303/3	Fan Housing	1	
38	DWS303/4	Radiator	1	
39	DWS303/5	Dust Cover	1	
40	DWS303/6	Thermostat	1	
41				
42				
	<b>DWS335</b>	<b>Electrics Consist Of:</b>		
43	27189	Plug	1	
44	27467	On/Off Switch	1	
45	46893	Cable Gland	1	
46	DWS332	Box	1	
47	DWS333	Relay	1	





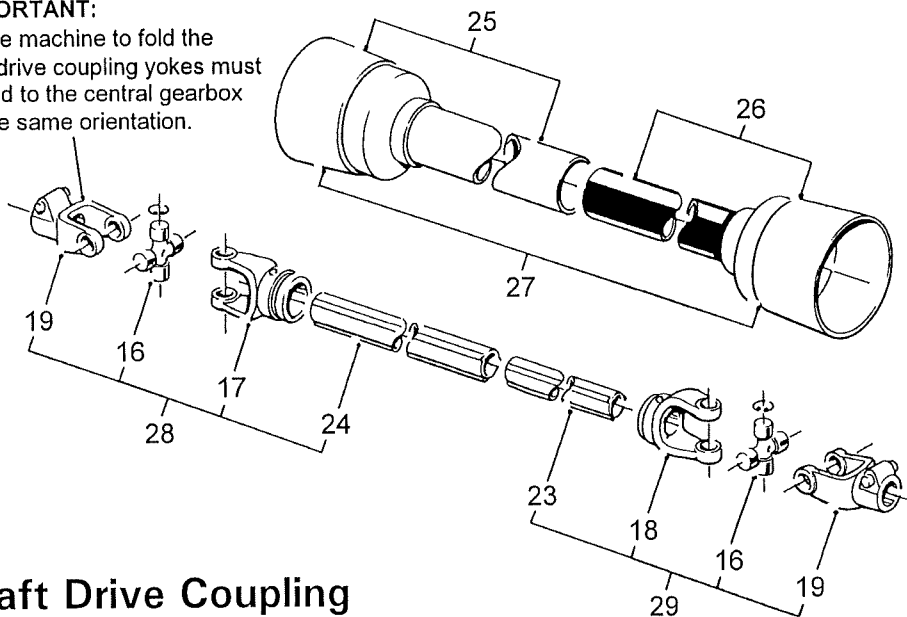
**Tractor PTO Drive Coupling**  
Assy No DWS375

PV-SP014



**IMPORTANT:**

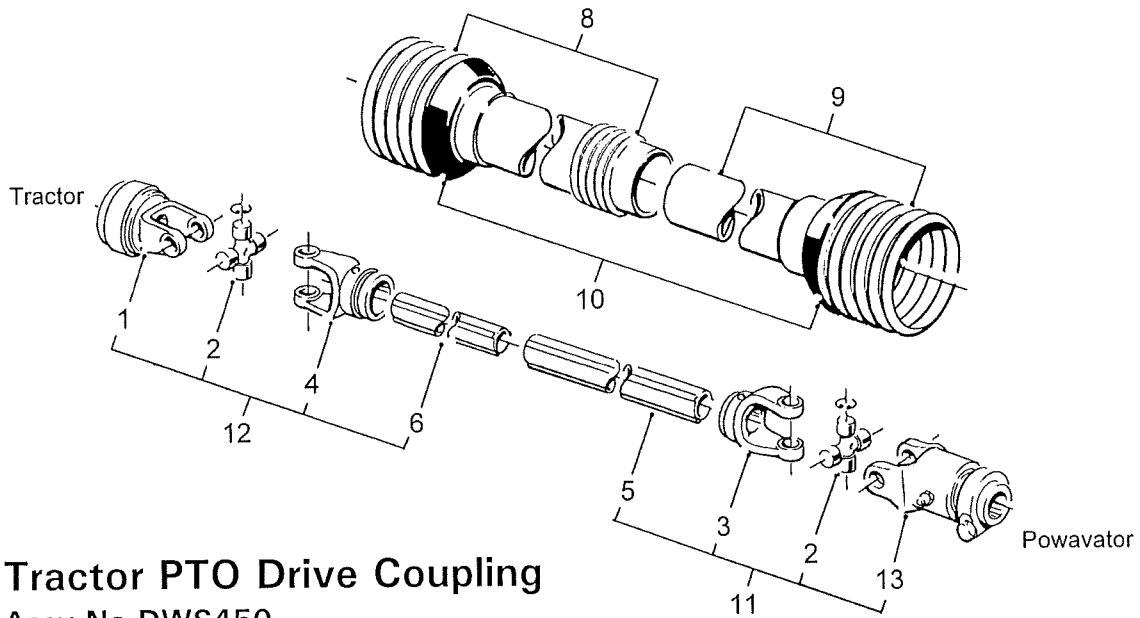
To enable the machine to fold the LH and RH drive coupling yokes must be connected to the central gearbox in exactly the same orientation.



**Jackshaft Drive Coupling**  
Assy No DWS376



Machines from Serial No PV400200-195



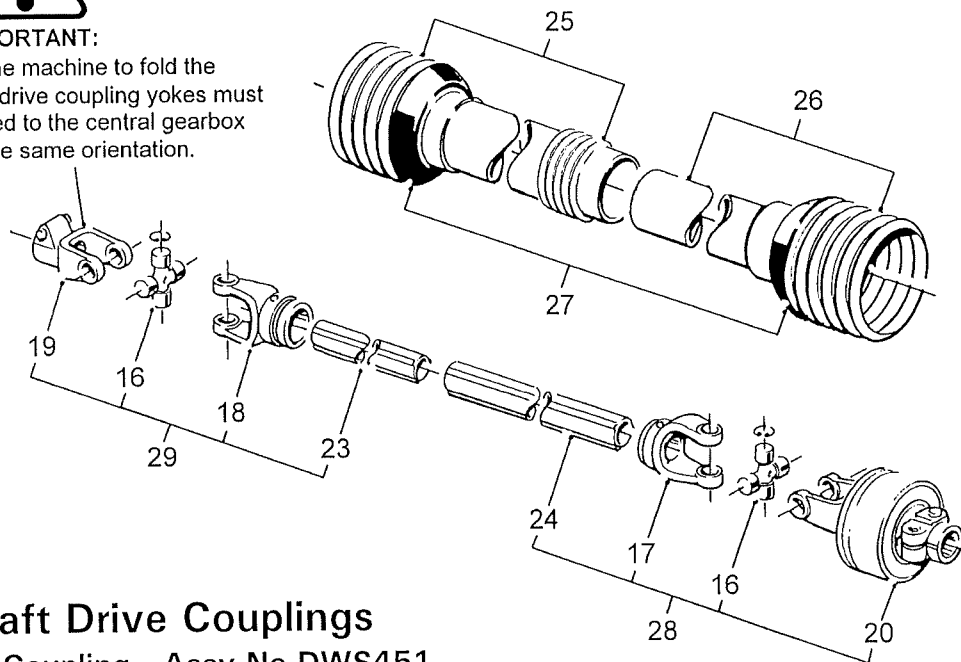
**Tractor PTO Drive Coupling**  
 Assy No DWS450

PV-SP039



**IMPORTANT:**

To enable the machine to fold the LH and RH drive coupling yokes must be connected to the central gearbox in exactly the same orientation.



**Jackshaft Drive Couplings**

RH Drive Coupling - Assy No DWS451

LH Drive coupling - Assy No DWS452

## 2.7a

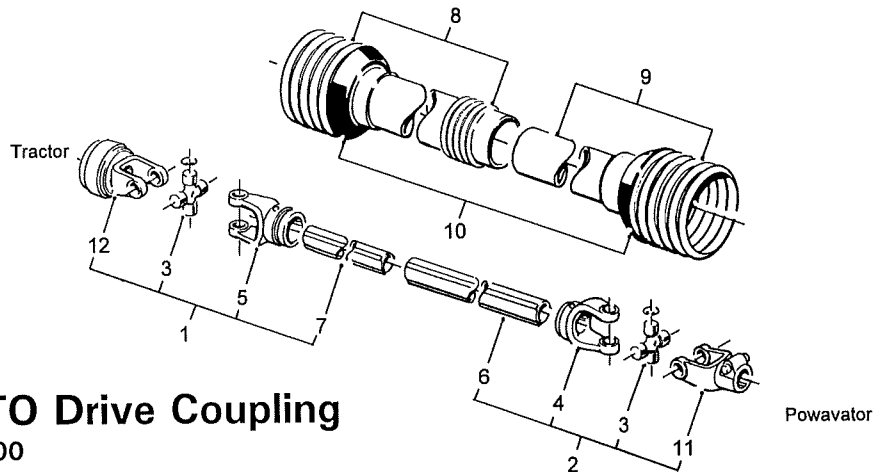
## POWAVATOR 400 SPARE PARTS

Machines from Serial No PV400200-195

## Drive Couplings

Item	Part No.	Description	Qty.	Remarks
1	<b>DWS450</b>	<b>Tractor PTO Coupling Consists Of:</b>		
	DWS450/1	1 3/4" 20 Spline Yoke	1	
	DWS450/2	1 3/4" 6 Spline Yoke	1	
	DWS450/3	1 3/8" 6 Spline Yoke	1	
	DWS450/4	1 3/8" 21 Spline Yoke	1	
2	DWS450/5	Cross Journal Set	2	
3	DWS450/6	Outer Yoke	1	
4	DWS450/7	Inner Yoke	1	
5	DWS450/8	Outer Tube	1	
6	DWS450/9	Inner Tube	1	
7				
8	DWS450/10	Half Guard (female)	1	
9	DWS450/11	Half Guard (male)	1	
10	DWS450/12	Guard Complete	1	
11	DWS450/13	Half Female Shaft	1	
12	DWS450/14	Half Male Shaft	1	
13	DWS450/15	1 3/4" 20 Spline Free-wheel Yoke	1	
14				
15				
	<b>DWS451</b>	<b>RH Jackshaft Drive Coupling</b>		
	<b>DWS452</b>	<b>LH Jackshaft Drive Coupling</b>		
		<b>Consist Of:</b>		
16	DWS451/1	Cross Journal Set	2	
17	DWS451/2	Outer Yoke	1	
18	DWS451/3	Inner Yoke	1	
19	DWS451/4	1 3/4" 20 Spline Yoke	1	
20	DWS451/5	1 3/4" 6 Spline RH Clutch Yoke	1	Assy DWS451 only
	DWS452/1	1 3/4" 6 Spline LH Clutch Yoke	1	Assy DWS452 only
21				
22				
23	DWS451/6	Inner Tube	1	
24	DWS451/7	Outer Tube	1	
25	DWS451/8	Half Guard (female)	1	
26	DWS451/9	Half Guard (male)	1	
27	DWS451/10	Guard Complete	1	
28	DWS451/11	Half Female Shaft	1	
29	DWS451/12	Half Male Shaft	1	

Machines from Serial No PV400200-376



## Tractor PTO Drive Coupling

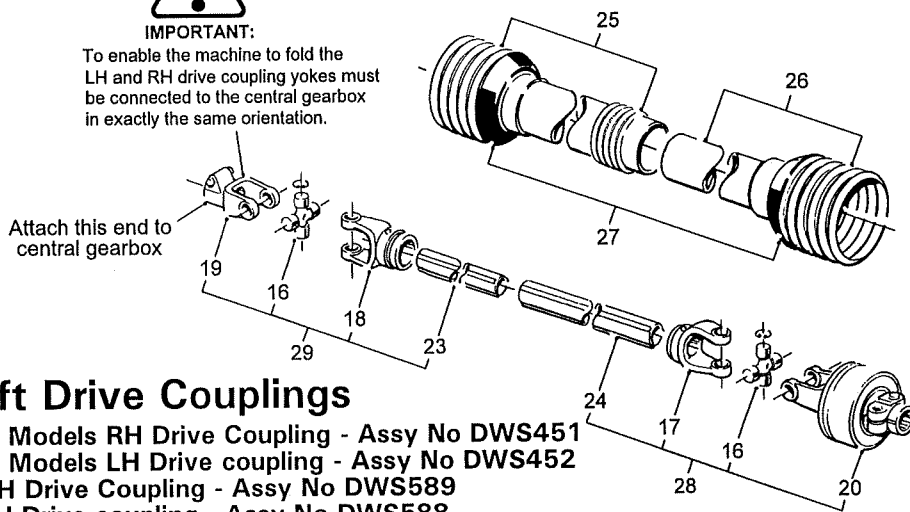
Assy No DWS500

PV-SP045



**IMPORTANT:**

To enable the machine to fold the LH and RH drive coupling yokes must be connected to the central gearbox in exactly the same orientation.



## Jackshaft Drive Couplings

70-70 & 200 Models RH Drive Coupling - Assy No DWS451

70-70 & 200 Models LH Drive coupling - Assy No DWS452

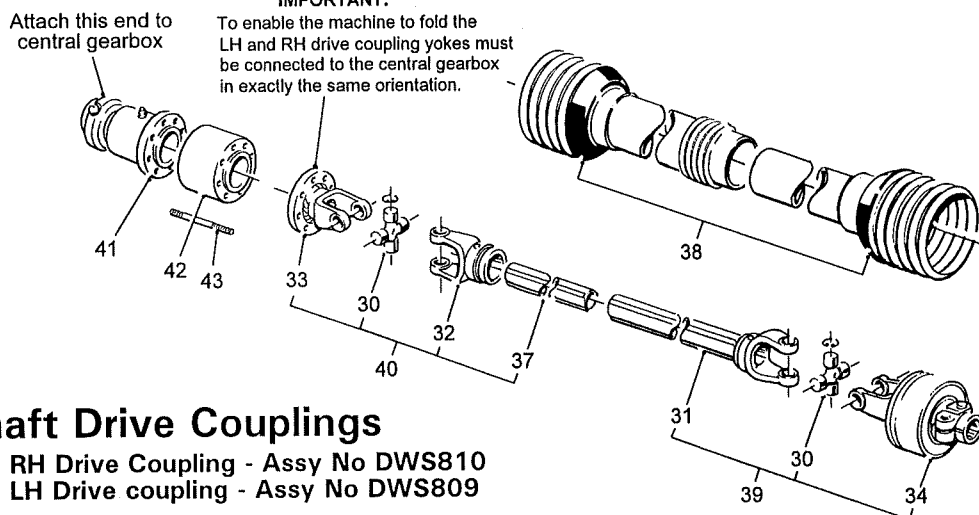
240 Model RH Drive Coupling - Assy No DWS589

240 Model LH Drive coupling - Assy No DWS588



**IMPORTANT:**

To enable the machine to fold the LH and RH drive coupling yokes must be connected to the central gearbox in exactly the same orientation.



## Jackshaft Drive Couplings

140 Model RH Drive Coupling - Assy No DWS810

140 Model LH Drive coupling - Assy No DWS809

## 2.7a

## POWAVATOR 400 SPARE PARTS

Machines from Serial No PV400200-376

## Drive Couplings

Item	Part No.	Description	Qty.	Remarks
1	<b>DWS500</b>	<b>Tractor PTO Coupling Consists Of:</b>		
	DWS500/1	1 3/8"21 Spline Half Shaft c/w Guard	1	
	DWS500/2	1 3/4"20 Spline Half Shaft c/w Guard	1	
	DWS500/3	1 3/8"6 Spline Half Shaft c/w Guard	1	
	DWS500/4	1 3/4"6 Spline Half Shaft c/w Guard	1	
2	DWS500/5	Half Shaft c/w Guard	1	
3	DWS500/6	Cross Journal Set	2	
4	DWS500/7	Outer Yoke	1	
5	DWS500/8	Inner Yoke	1	
6	DWS500/9	Outer Tube	1	
7	DWS500/10	Inner Tube	1	
8	DWS500/11	Half Guard (female)	1	
9	DWS500/12	Half Guard (male)	1	
10	DWS500/13	Guard Complete	1	
11	DWS500/14	1 3/4"20 Spline Yoke	1	
12	DWS500/15	1 3/8"21 Spline Quick Release Yoke	1	
	DWS500/16	1 3/4"20 Spline Quick Release Yoke	1	
	DWS500/17	1 3/8"6 Spline Quick Release Yoke	1	
	DWS500/18	1 3/4"6 Spline Quick Release Yoke	1	
	<b>DWS451</b>	<b>RH Jackshaft Drive Coupling</b>		For 70-70 & 200 Models
	<b>DWS452</b>	<b>LH Jackshaft Drive Coupling</b>		For 70-70 & 200 Models
		<b>Consist Of:</b>		
16	DWS451/1	Cross Journal Set	2	
17	DWS451/2	Outer Yoke	1	
18	DWS451/3	Inner Yoke	1	
19	DWS451/4	1 3/4" 20 Spline Yoke	1	
20	DWS451/5	1 3/4" 6 Spline RH Clutch Yoke	1	Assy DWS451 only
	DWS452/1	1 3/4" 6 Spline LH Clutch Yoke	1	Assy DWS452 only
21				
22				
23	DWS451/6	Inner Tube	1	
24	DWS451/7	Outer Tube	1	
25	DWS451/8	Half Guard (female)	1	
26	DWS451/9	Half Guard (male)	1	
27	DWS451/10	Guard Complete	1	
28	DWS451/11	Half Female Shaft	1	
29	DWS451/12	Half Male Shaft	1	
	<b>DWS589</b>	<b>RH Jackshaft Drive Coupling</b>		For 240 Model
	<b>DWS588</b>	<b>LH Jackshaft Drive Coupling</b>		For 240 Model
		<b>Consist Of:</b>		
16	DWS451/1	Cross Journal Set	1	
17	DWS451/2	Outer Yoke	1	
18	DWS451/3	Inner Yoke	1	
19	DWS451/4	1 3/4" 20 Spline Yoke	1	
20	DWS451/5	1 3/4" 6 Spline RH Clutch Yoke	1	Assy DWS589 only
	DWS452/1	1 3/4" 6 Spline LH Clutch Yoke	1	Assy DWS588 only
21				
22				
23	DWS588/2	Inner Tube	1	

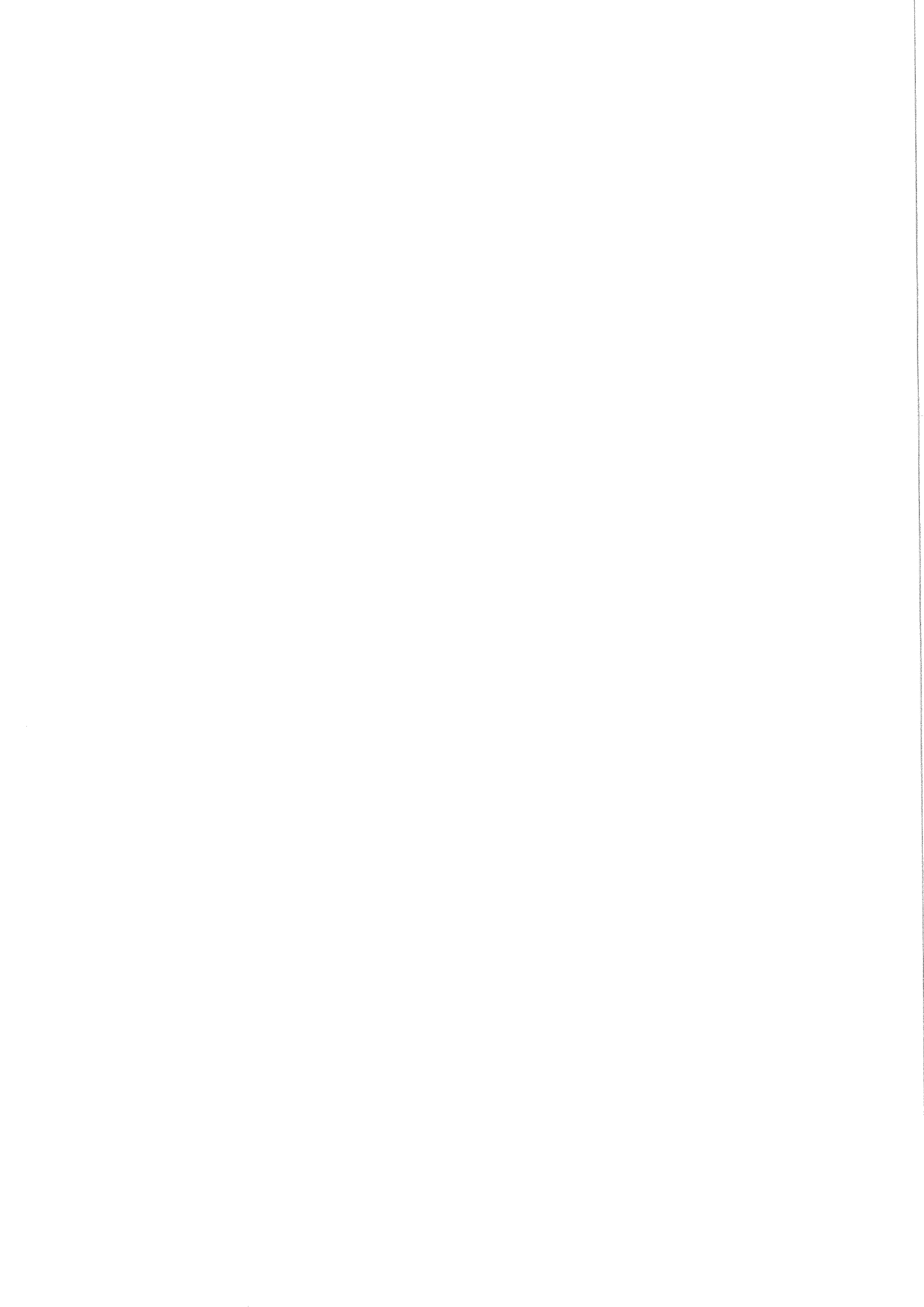
# POWAVATOR 400 SPARE PARTS

2.7b

Machines from Serial No PV400200-376

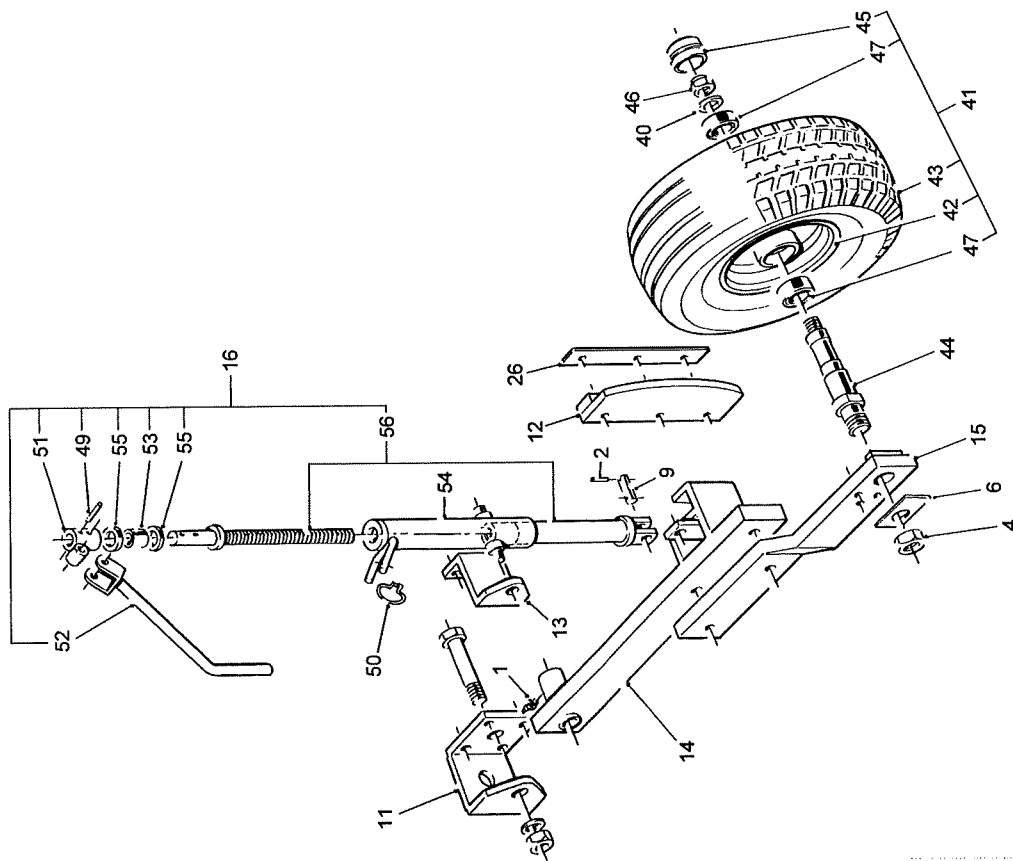
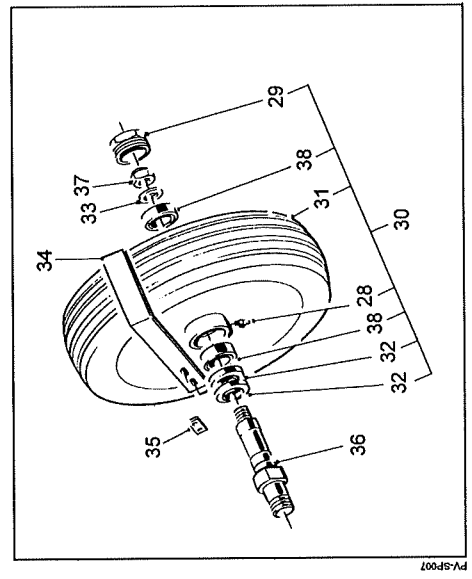
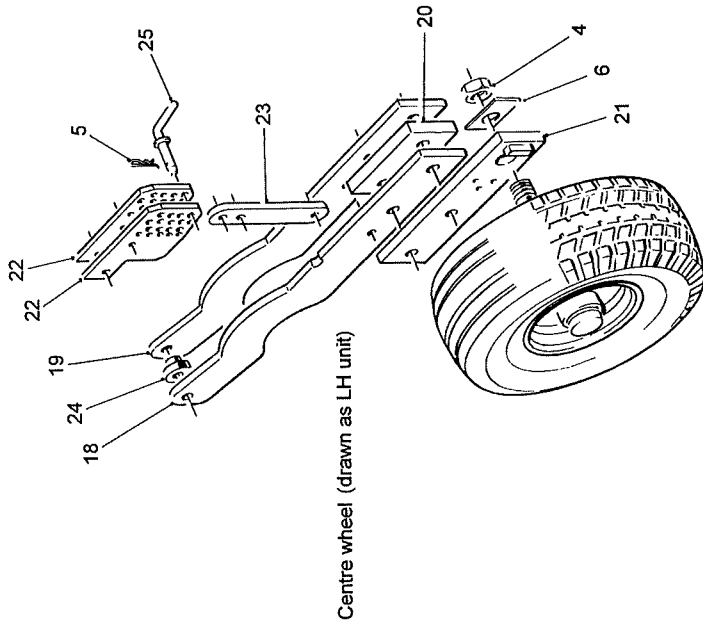
## Drive Couplings

Item	Part No.	Description	Qty.	Remarks
24	DWS588/3	Outer Tube	1	
25				
26				
27	DWS588/5	Guard Complete	1	
28	DWS588/6	Half Female Shaft	1	
29	DWS588/7	Half Male Shaft	1	
	<b>DWS810</b>	<b>RH Jackshaft Drive Coupling</b>		For 140 Model
	<b>DWS809</b>	<b>LH Jackshaft Drive Coupling</b>		For 140 Model
		<b>Consists Of:</b>		
30	DWS451/1	Cross Journal Set	2	
31	-	Outer Tube & Yoke	1	
32	DWS451/3	Inner Yoke	1	
33	DWS809/1	Flanged Yoke	1	
34	DWS451/5	1 3/4" 6 Spline RH Clutch Yoke	1	Assy DWS810 only
	DWS452/1	1 3/4" 6 Spline LH Clutch Yoke	1	Assy DWS809 only
35				
36				
37	-	Inner Tube	1	
38	-	Guard Complete	1	
39	-	Half Female Shaft	1	
40	-	Half Male Shaft	1	
41	DWS846	1 3/4" 20 Spline RH Overrun Yoke	1	Used on RH Jackshaft
	DWS845	1 3/4" 20 Spline LH Overrun Yoke	1	Used on LH Jackshaft
42	DWS853	Spacer	2	
43	DWS866	M8x115mm Stud	16	





Depth Control Wheels

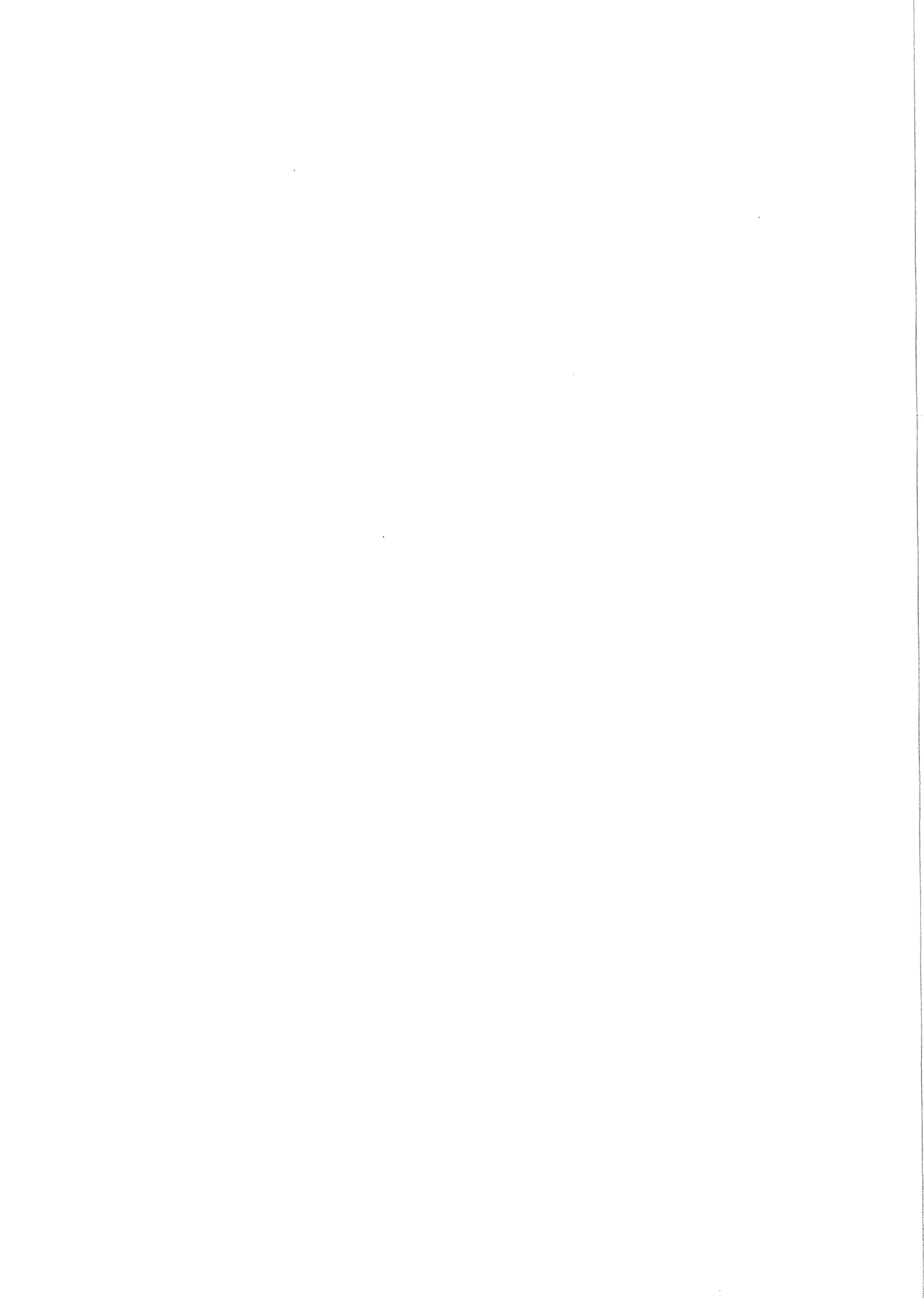


## Depth Control Wheels

Item	Part No.	Description	Qty.	Remarks
1	DW202030020	1/8" BSP Grease Nipple	2	
2	DW208012475	Roll Pin (Ø5x30mm)	4	
3				
4	DW330095	M33 Special Nut	4	
5	DW330237	R'Clip	2	
6	DW335134	Tab Washer	4	
7				
8				
9	DW653396	Pin	2	
10				
11	DW800080	Depth Arm Clevis	2	
12	DW800081	Guide Plate	2	
13	DW800082	Jack Mount Plate	2	
14	DW800464	Depth Control Arm	2	
15	DW800467	Wheel Arm	2	
16	DW800596	Depth Screw Assembly	2	(see list at end)
17				
18	DWS336	Inner Arm	2	
19	DWS337	Outer Arm	2	
20	DWS338	Arm Spacer	2	
21	DWS339	Wheel Arm	2	
22	DWS340	Adjuster Plate	4	
23	DWS341	Adjuster Link	2	
24	DWS343	Pivot Boss	2	
25	DWS371	Locking Pin	2	
26	DW800081S	Guide Plate Shim	a/r	
27				
		<b>Steel Wheel Components Consist Of:</b>		
28	DW202030870	M6 Grease Nipple	4	
29	DW202045050	M62 Dust Cap	4	
30	DW209055790	Steel Wheel Complete	4	
31	DW209055790/1	Steel Wheel	4	
32	DW266535120	Oil Seal (62x35x6)	8	
33	DW308160060	5/8" Flat Washer	4	
34	DW335132	Wheel Scraper	4	
35	DW335133	Backing Plate	4	
36	DW335480	Axle	4	
37	22041016	M16 Nyloc Nut	4	
38	6206	Bearing	8	
39				
		<b>Pneumatic Wheel Components Consist Of:</b>		
40	DW308200015	M20 Flat Washer	4	
41	DW804206	Pneumatic Wheel Complete	4	
42	-	Wheel Rim	4	
43	-	600x9 6PR Tyre	4	
44	DW804207	Axle	4	
45	DW804206/1	Dust Cap	4	Part was KA10219
46	22041020	M20 Nyloc Nut	4	
47	62062RS	Bearing	8	
48				
		<b>Solid Wheel Components Consist Of:</b>		
40	DW308200015	M20 Flat Washer	4	
41	DWS345	Solid Wheel Complete (foam filled)	4	
42	-	Wheel Rim	4	

**Depth Control Wheels**

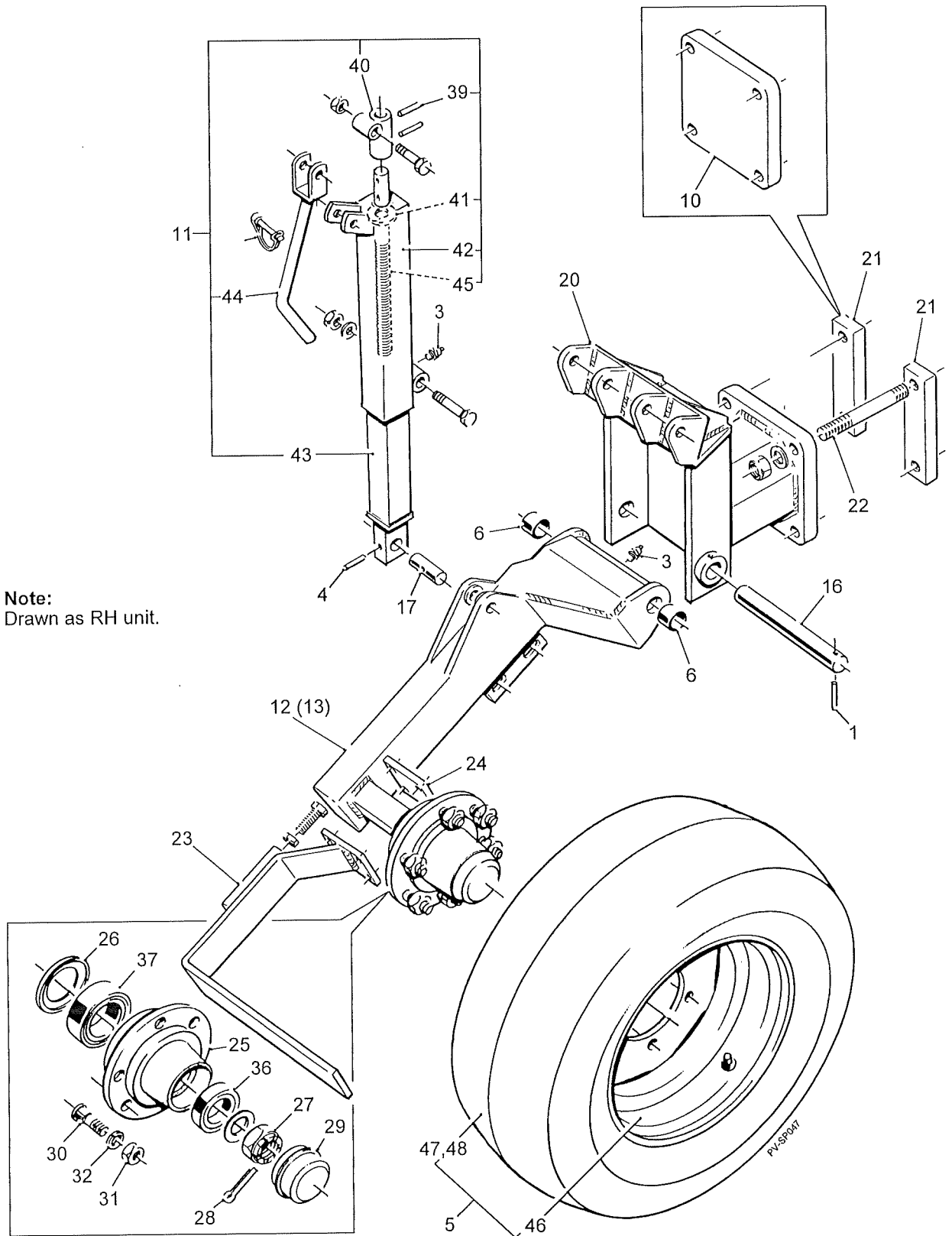
Item	Part No.	Description	Qty.	Remarks
43	-	600x9 6PR Tyre	4	Part was KA10219
44	DW804207	Axle	4	
45	DW804206/1	Dust Cap	4	
46	22041020	M20 Nyloc Nut	4	
47	62062RS	Bearing	8	
48				
	<b>DW800596</b>	<b>Depth Screw Assembly Consists Of:</b>		
49	DW208012525	Tension Pin (Ø6x30mm)	2	
50	DW60495	Clip Ring	1	
51	DW650183	Handle Block	1	
52	DW650184	Handle	1	
53	DW650187	Bush	1	
54	DW800084	Outer Tube	1	
55	DW800599	Thrust Washer	2	
56	DW801180	Inner Tube and Screw	1	



Machines from Serial No PV400200-376

## Depth Control Wheels

Assy No DWS593



## 2.8a

## POWAVATOR 400 SPARE PARTS

Machines from Serial No PV400200-376

## Depth Control Wheels

Assy No DWS593

Item	Part No.	Description	Qty.	Remarks
1	22067008/050	Ø8x50mm Roll Pin	4	
2				
3	DW202030870	M6 Grease Nipple	8	
4	DW208012660	Ø6x40mm Roll Pin	4	
5	DW209055880	Wheel Complete	4	(see list at end)
6	DW253034303	Bush	8	
7				
8	DW50934	Clip Pin	2	
9				
10	DW801997	Flange Plate (for outer wheels	2	
11	DWS680	Screw Jack Assembly	2	Part No. was DW802801
12	DW802808	RH Wheel Arm	2	
13	DW802809	LH Wheel Arm	2	(not shown)
14				
15				
16	DW802850	Wheel Arm Pivot	4	
17	DW802851	Jack Lower Pin	4	
18				
19				
20	DWS590	Depth Wheel Mounting	4	
21	DWS614	Clamp Strip (for inner wheels)	4	
22	DWS615	Clamp Stud (for inner wheels)	8	
23	DWS669	Scraper	4	
24	DWS670	Clamp Plate	4	
25	DW802842/1	Hub	2	
26	DW802842/2	Retaining Ring	2	
27	DW802842/3	Castellated Nut	2	
28	DW802842/4	Split Pin	2	
29	DW802842/5	Hub Cap	2	
30	DW802842/6	M18 Wheel Stud	12	
31	DW802842/7	M18 Wheel Nut	12	
32	DW802842/8	Washer	12	
33				
34				
35				
36	TH00500304	Outer Bearing	2	
37	TH00500307	Inner Bearing	2	
38				
	<b>DWS680</b>	<b>Screw Jack Assembly Consists Of:</b>		
39	DW208012520	Ø6x30mm Roll Pin	2	
40	DW650183	Handle Block	1	
41	DW800599	Thrust Washer	1	
42	DWS678	Outer Tube	1	
43	DWS681	Inner Tube	1	
44	DW840095	Handle	1	
45	DWS679	Screw	1	
	<b>DW209055880</b>	<b>Wheel Complete Consists Of:</b>		
46	DW209028220	Rim	1	
47	DW209058520	Tyre	1	
48	DW209061130	Tube	1	



## 2.8a

## POWAVATOR 400 SPARE PARTS

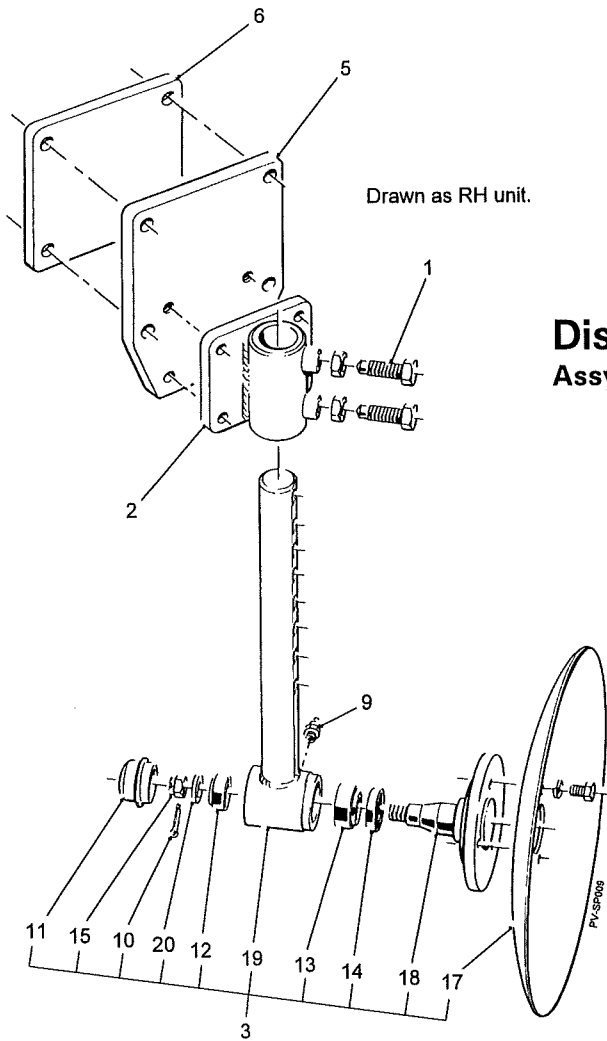
Machines from 2008 onwards

## Rear Depth Control Wheels

Assy No DWS593

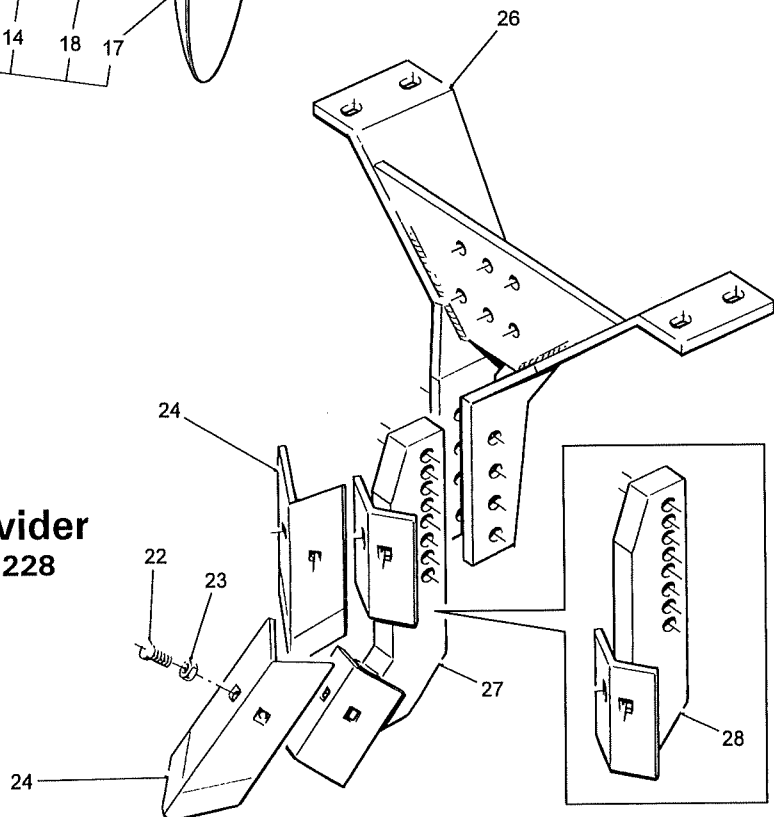
Item	Part No.	Description	Qty.	Remarks
1	22067008/050	Ø8x50mm Roll Pin	4	
2				
3	RPC648.061002	M6 90°Grease Nipple	2	
4				
5	DW209055880	Wheel Complete	4	(see list at end)
6	DW253034303	Bush	8	
7				
8	DW50934	Clip Pin	2	
9				
10	DW801997	Flange Plate (for outer wheels)	2	
11				
12	DWS718	RH Wheel Arm	2	
13	DWS719	LH Wheel Arm	2	(not shown)
14	DWS1365	Spacer Plate	2	
15				
16	DW802850	Wheel Arm Pivot	4	
17	DWS723	Pin	8	
18				
19	DWS721	Depth Wheel Mounting LH	2	(not shown)
20	DWS722	Depth Wheel Mounting RH	2	
21	DWS614	Clamp Strip (for inner wheels)	2	Qty was x4
21a	DWS614A	Offset Clamp Strip (for inner wheels)	2	
22	DWS615	Clamp Stud (for inner wheels)	8	
23	DWS669	Scraper	4	
24	DWS670	Clamp Plate	4	
25	DW802842/1	Hub	2	
26	DW802842/2	Retaining Ring	2	
27	DW802842/3	Castellated Nut	2	
28	DW802842/4	Split Pin	2	
29	DW802842/5	Hub Cap	2	
30	DW802842/6	M18 Wheel Stud	12	
31	DW802842/7	M18 Wheel Nut	12	
32	DW802842/8	Washer	12	
33	DW208007980	Top Link Complete	4	
34				
35				
36	TH00500304	Outer Bearing	2	
37	TH00500307	Inner Bearing	2	
38				
39	PS843	Ø25 External Circlip	16	
40				
41				
42				
43				
44				
45				
46	DW209055880	Wheel Complete Consists Of:		
	DW209028220	Rim	1	
47	DW209058520	Tyre	1	
48	DW209061130	Tube	1	





**Disc Assembly**  
Assy No DWS205

**Centre Divider**  
Assy No DWS228



2.9a

## POWAVATOR 400 SPARE PARTS

Disc Assembly  
Centre Divider

Assy No DWS205

Assy No DWS228

Item	Part No.	Description	Qty.	Remarks
1	DWS205	Disc Assembly Consists Of:		
	DW802721	Special Bolt	4	
2	DW803129	Stem Bracket	2	
3	DW803244	Disc/Hub Assembly	2	(see list at end)
4				
5	DWS182	Bracket Mounting	2	
6	DWS183	Clamp Plate	2	
7				
8				
	DW803244	Disc/Hub Assembly Consists Of:		
9	DW202030870	M6 Grease Nipple	1	
10	DW208010220	Split Pin	1	
11	DW209101081	Hub Cap	1	
12	DW252552156	Bearing	1	
13	DW253562183	Bearing	1	
14	DW266245081	Oil Seal (62x45x8mm)	1	
15	DW307616085	M16 Castellated Nut	1	
16				
17	DW802703	Disc	1	
18	DW803242	Disc Hub	1	
19	DW803245	Disc Arm	1	
20	DW803246	Washer	1	
21				
	DWS228	Centre Divider Consists Of:		
22	DW222008069	M12x42mm Special Taper Bolt	4	
23	DW307512055	M12 Nyloc Nut	4	
24	DW801276	Point	2	
25				
26	DWS532	Divider Mounting	1	Prior to Ser No PV400200-376
27	DWS227	Divider Tine	1	part was DWS226
28	DWS604	Straight Divider Tine	1	Optional



## 2.10a

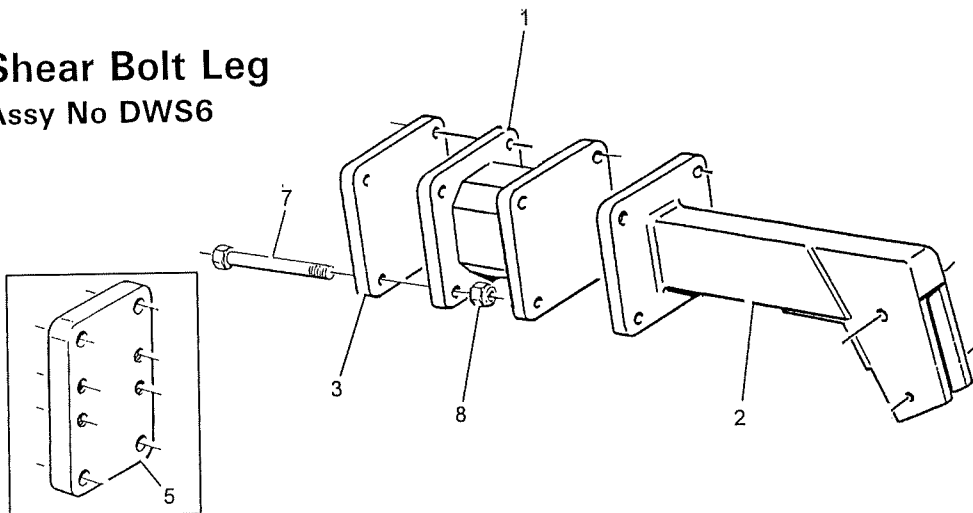
## POWAVATOR 400 SPARE PARTS

## Parallel Linkage Assembly

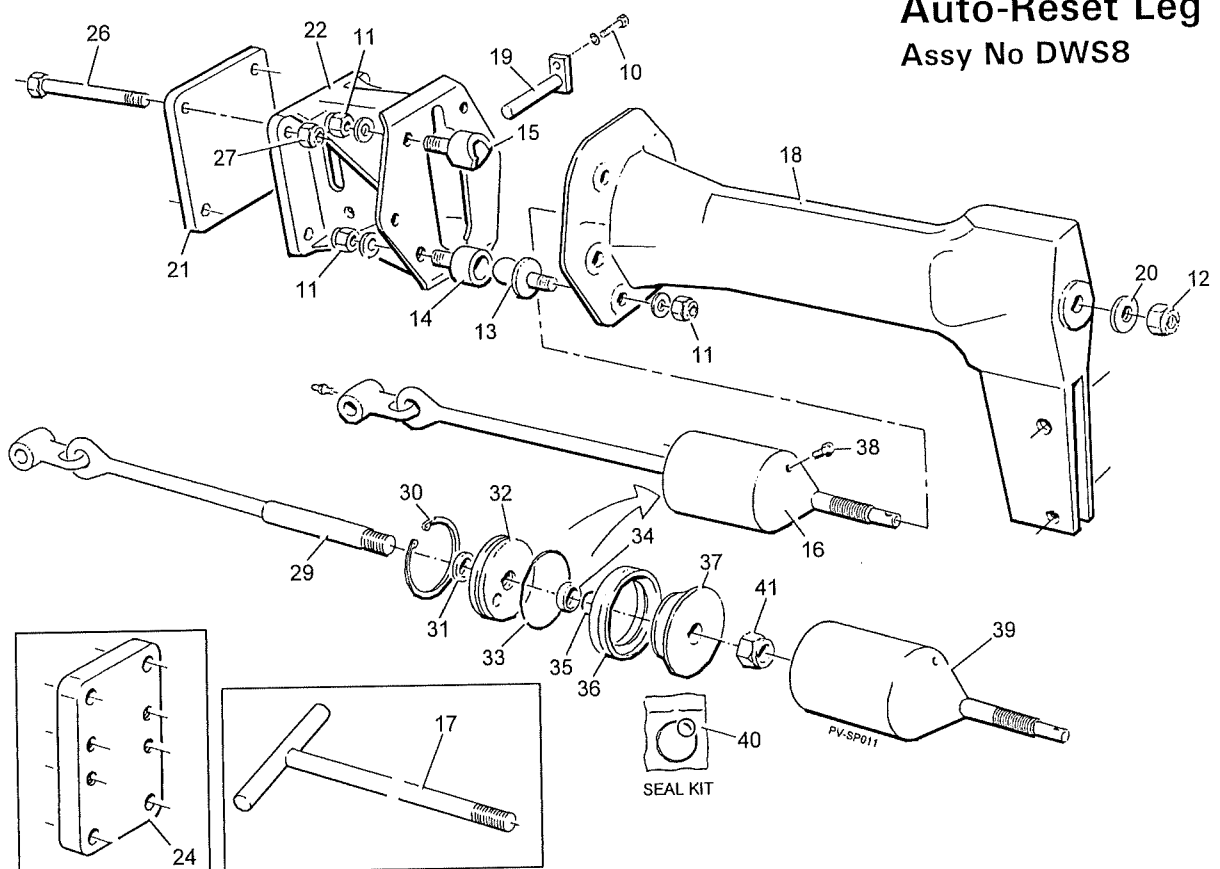
Item	Part No.	Description	Qty.	Remarks
1	DW802501	Linkage Bracket	4	Qty x2 for 76"work
2	DW802505	Bottom Bracket (outer furrowers)	2	
3	DW802508	Bracket	4	
4	DW802512	Link	8	
5	DW802515	Ram Pivot	8	
6	DW802683	Pivot Pin	16	
7	DW802685	Lock Plate	32	
8	DW202030870	M6 Grease Nipple	40	
9	DW252528203	Bush	40	
10	DW252531200	Bush	32	
11	DWS315	Manual Adjuster	2	(see list at end)
12	DWS348	Bottom Bracket (centre furrowers)	2	
	DWS576	Bottom Bracket (LH centre furrower)	1	76"work only
	DWS577	Bottom Bracket (RH centre furrower)	1	76"work only
13				
14	22011008/020	M8x20mm Hex Head Bolt	32	
15	22011016/040	M16x40mm Hex Head Bolt	16	
16	22012020/070	M20x70mm Hex Head Bolt	16	
17	22012020/110	M20x110mm Hex Head Bolt	4	
18	22012020/220	M20x220mm Hex Head Bolt	16	
19	22041020	M20 Nyloc Nut	36	
20	22041024	M24 Nyloc Nut	16	
21	22052008	M8 Spring Washer	32	
22	22052016	M16 Spring Washer	16	
23	DWS574	LH Linkage Bracket	1	For 76"work only
24	DWS575	RH Linkage Bracket	1	For 76"work only
	DWS315	Manual Adjuster Consists Of:		
25	50039	Depth Handle	1	
26	DWS312	Adjuster	1	
27	DWS313	Adjuster Screw	1	
28				
29	RPC648.081250	M8 Grease Nipple Straight	2	Was GS411

Furrower Leg Assemblies

Shear Bolt Leg  
Assy No DWS6



Auto-Reset Leg  
Assy No DWS8



## 2.11a

## POWAVATOR 400 SPARE PARTS

## Furrower Leg Assemblies

Shear Bolt Leg - Assy No DWS6

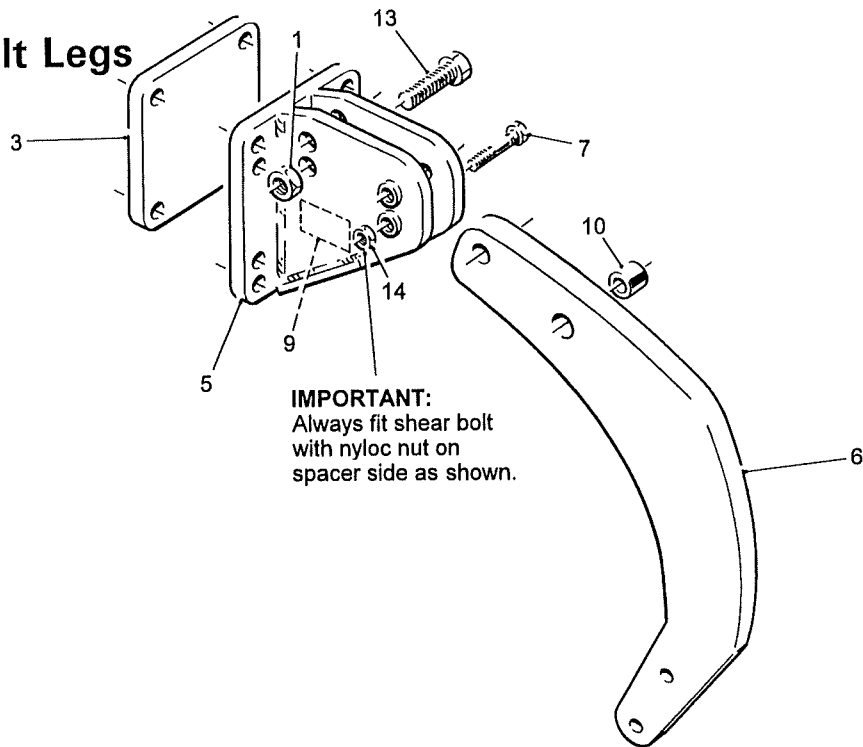
Auto-reset Leg - Assy No DWS8

Item	Part No.	Description	Qty.	Remarks
	<b>DWS6</b>	<b>Shear Bolt Leg Assembly Consists Of:</b>		
1	DW801872	Extension Block	4	Optional
2	DW801996	Leg Mounting Bracket	4	
3	DW801997	Flange Plate	4	
4				
5	DWS399	Ridger Drop Plate	4	Optional
6				
7	22012020/220	M20x220mm Bolt	16	
8	22041020	M20 Nyloc Nut	16	
9				
	<b>DWS8</b>	<b>Auto-reset Leg Assembly Consists Of:</b>		
10	DW101306065	3/8"UNFx3/4"Setscrew	4	
11	DW107112385	3/4"UNF Nyloc Nut	48	
12	DW222008028	Self-locking Nut	4	
13	DW222008030	Pivot Ball	24	
14	DW222008031	Pivot Cup	16	
15	DW222008032	Bevelled Pivot Cup	8	
16	DW222008034	Hydraulic Ram Assembly	4	(see list at end)
17	DW801179	Reset Bar	1	
18	DW801206	Reset Leg Bracket	4	
19	DW801369	Ram Pin	4	
20	DW801940	Pivot Washer	4	
21	DW801997	Flange Plate	4	
22	DW802330	Leg Mounting Bracket	4	
23				
24	DWS399	Ridger Drop Plate	4	Optional
25				
26	22012020/220	M20x220mm Bolt	16	
27	22041020	M20 Nyloc Nut	16	
28				
	<b>DW222008034</b>	<b>Hydraulic Ram Assembly Consists Of:</b>		
29	DW222008035	Piston Rod Assembly	1	
30	DW222008036	Circlip	1	
31	DW222008037	Wiper Seal	1	
32	DW222008038	Bung	1	
33	DW222008039	O'Ring	1	
34	DW222008040	Single Acting Seal	1	
35	DW222008041	O'Ring	1	
36	DW222008042	Single Acting Seal	1	
37	DW222008043	Piston	1	
38	DW222008044	Breather	1	
39	DW222008045	Ram Tube	1	
40	DW222008046	Seal Kit	1	
41	DW307224055	M24 Self-locking Nut	1	

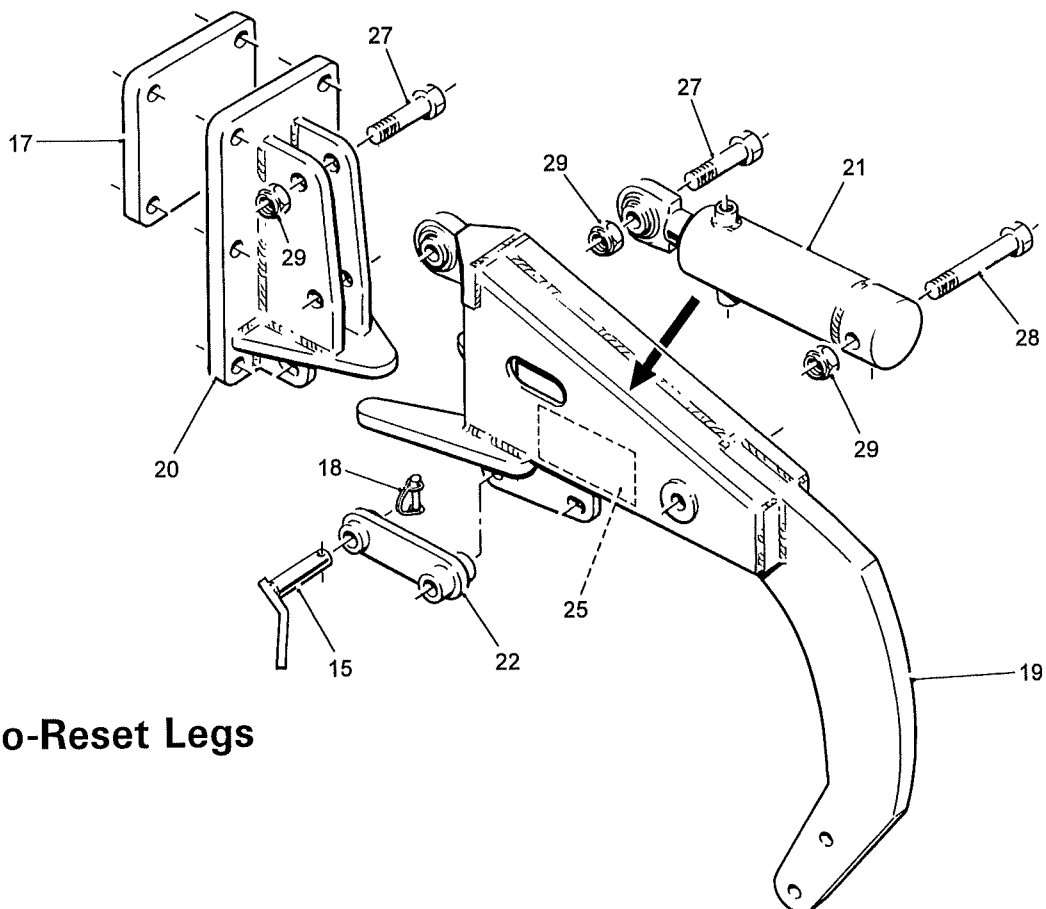
Machines from 2008 onwards

## Furrower Leg Assemblies

### Shear Bolt Legs



PV-SP054



### Auto-Reset Legs

## 2.11a

## POWAVATOR 400 SPARE PARTS

Machines from 2008 onwards

## Furrower Leg Assemblies

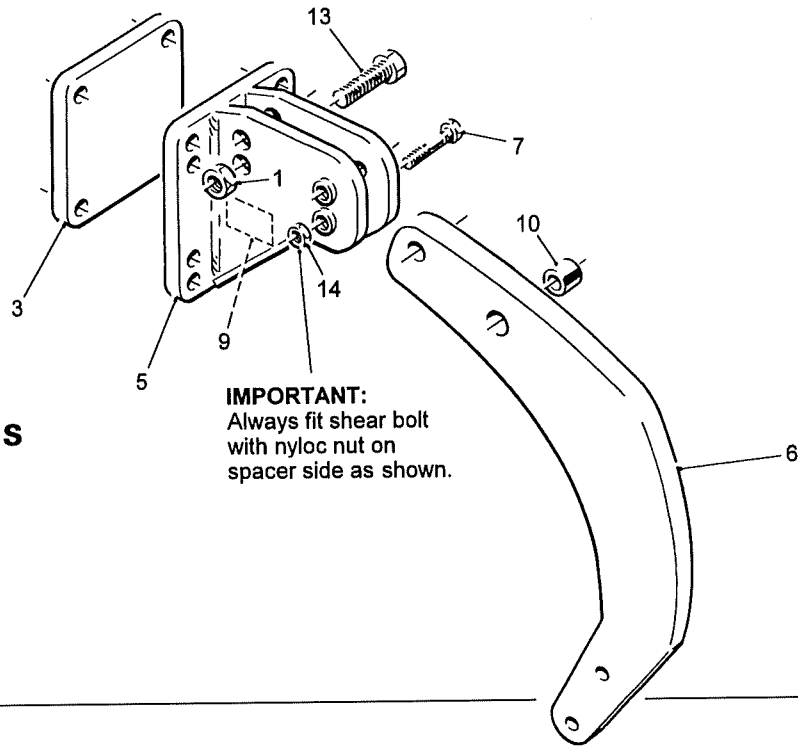
Item	Part No.	Description	Qty.	Remarks
1	DW107116015	<b>Shear Bolt Leg Consists Of:</b> 1"UNF Full Nut	1	
2				
3	DW801997	Flange Plate	1	
4				
5	DWS707	Leg Mounting	1	
6	DWS505	Shear Bolt Leg	1	
7	DWS506	Shear Bolt	1	
8				
9	TR473	"Shear Bolt Fitting" Decal	1	
10	DWS933	Shear Bolt Bush	1	
11				
12				
13	22025100/375	1"UNF x 3 3/4"Setscrew	1	
14	22041016	M16 Nyloc Nut	1	
		<hr/>		
		<b>Auto-Reset Leg Consists Of:</b>		
15	43025	Hitch Pin	1	
16				
17	DW801997	Flange Plate	1	
18	DW50934	Clip Pin	1	
19	DWS509	Hydraulic Leg	1	
20	DWS510	Hydraulic Leg Mount	1	
21	DWS714	Break-back Ram	1	
22	DWS787	Leg Locking Arm	1	
23				
24				
25	TR476	"Warning Leg Locking" Decal	1	
26				
27	22012024/100	M24x100 Bolt	2	
28	22012024/160	M24x160 Bolt	1	
29	22041024	M24 Nyloc Nut	3	



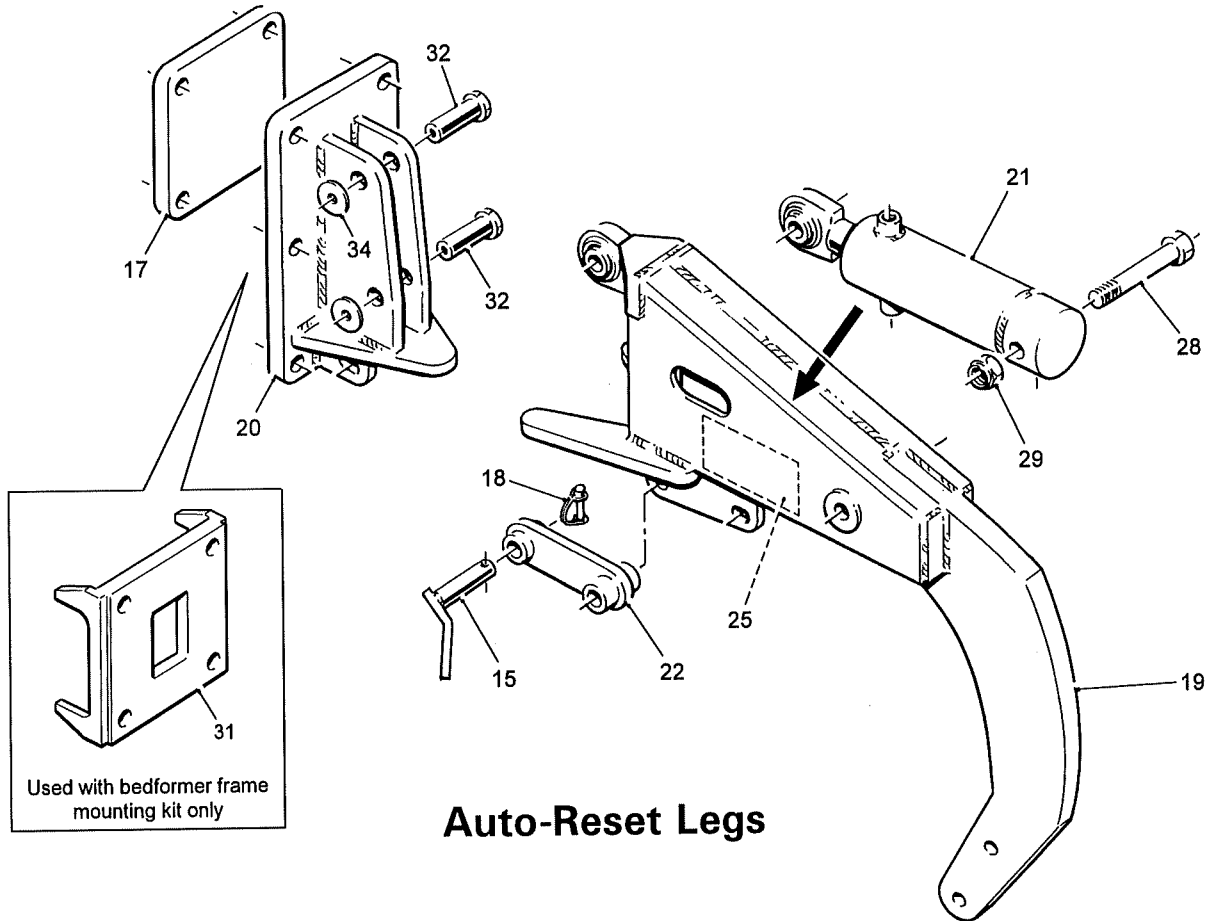
Machines from 2014

**Furrower Leg Assemblies**

**Shear Bolt Legs**



PV-SP080



**Auto-Reset Legs**

## 2.11a

## POWAVATOR 400 SPARE PARTS

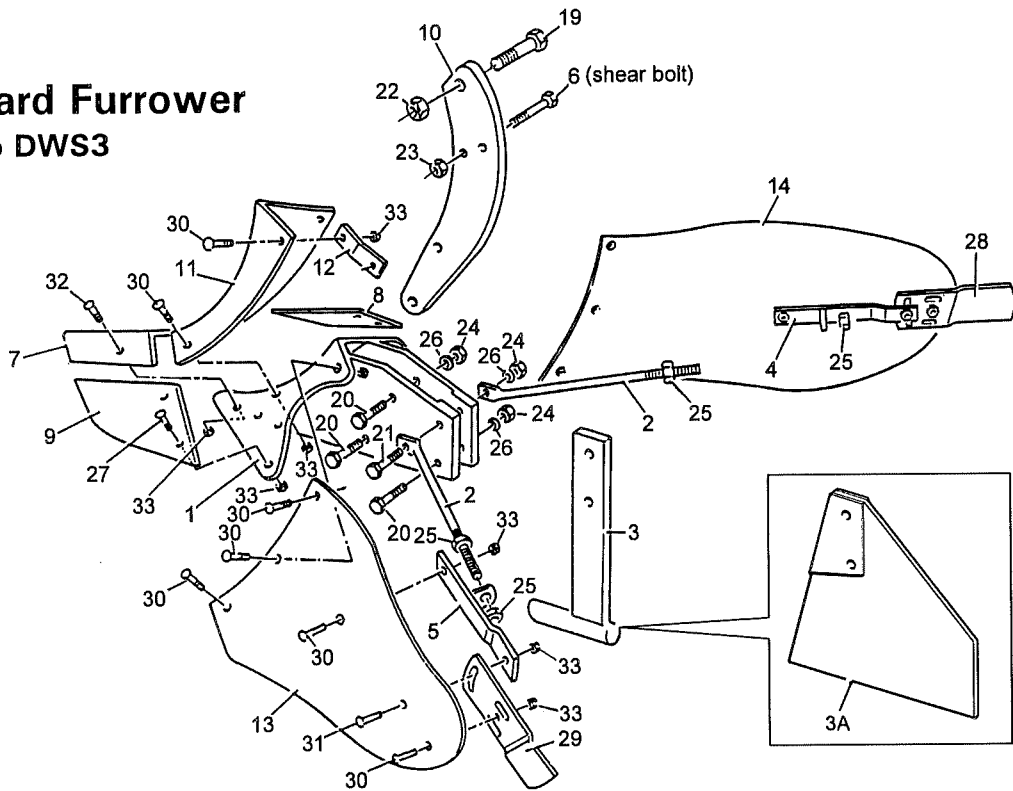
Machines from 2014

## Furrower Leg Assemblies

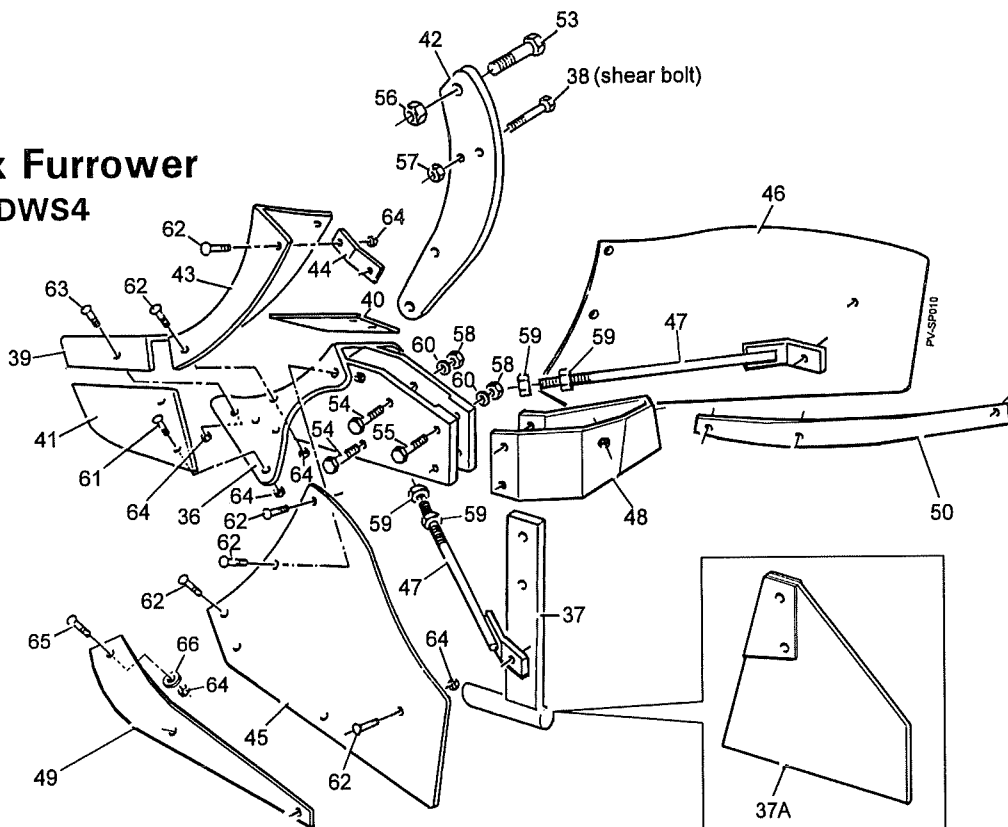
Item	Part No.	Description	Qty.	Remarks
1	DW107116015	<b>Shear Bolt Leg Consists Of:</b> 1"UNF Full Nut	1	
2				
3	DW801997	Flange Plate	1	
4				
5	DWS707	Leg Mounting	1	
6	DWS505	Shear Bolt Leg	1	
7	DWS506	Shear Bolt	1	
8				
9	TR473	"Shear Bolt Fitting" Decal	1	
10	DWS933	Shear Bolt Bush	1	
11				
12				
13	22025100/375	1"UNF x 3 3/4" Setscrew	1	
14	22041016	M16 Nyloc Nut	1	
		<b>Auto-Reset Leg Consists Of:</b>		
15	43025	Hitch Pin	1	
16				
17	DW801997	Flange Plate	1	
18	DW50934	Clip Pin	1	
19	DWS509	Hydraulic Leg	1	
20	DWS510	Hydraulic Leg Mount	1	
21	DWS714	Break-back Ram	1	
22	DWS787	Leg Locking Arm	1	
23				
24				
25	TR476	"Warning Leg Locking" Decal	1	
26				
27				
28	22012024/160	M24x160 Bolt	1	
29	22041024	M24 Nyloc Nut	1	
30				
31	DWS1375	Anti-twist Plate	1	Used with bedformer frame kit
32	DWS1095	Pivot Pin	2	
33				
34	SS040011/003	Steel Spacer	2	

Furrower Assemblies

Standard Furrower  
Assy No DWS3



Convex Furrower  
Assy No DWS4



## Furrower Assemblies

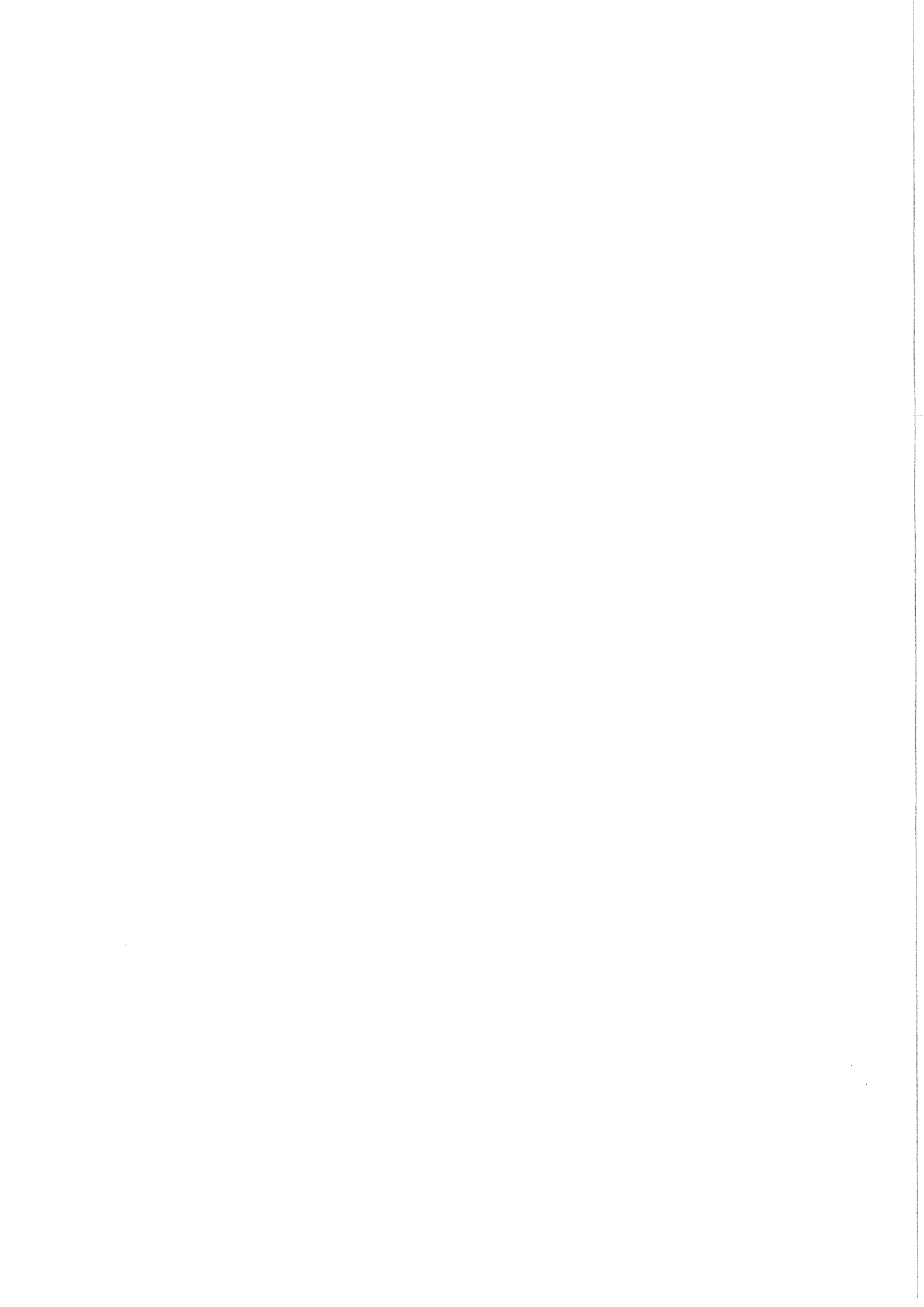
Standard Furrower - Assy No DWS3

Convex Furrower - Assy No DWS4

Item	Part No.	Description	Qty.	Remarks
	<b>DWS3</b>	<b>Standard Furrower Consists Of:</b>		
1	DW801068	Frog	1	
2	DW801080	Adjustable Stay	2	
3	DW801084	Mole	1	
3A	DWS330	Tracking Fin	1	Optional
4	DW801087	Stay Bracket RH	1	
5	DW801088	Stay Bracket LH	1	
6	DW801146	Shear Bolt	1	
7	DW801276	Point	1	
8	DW801277	Wing RH	1	
9	DW801278	Wing LH	1	
10	DWS135	Universal Leg	1	Prior to BFT 50 was DW801933
11	DW801934	Shin	1	
12	DW801937	Connecting Strap	2	
13	DW801938	High Mouldboard LH	1	
14	DW801939	High Mouldboard RH	1	
15				
16				
17				
18				
19	DW101116265	1"UNFx 3 1/4"Bolt	1	
20	22028075/325	3/4"UNCx 3 1/4"Bolt	3	
21	22028075/375	3/4"UNCx 3 3/4"Bolt	1	
22	DW107116015	1"UNF Full Nut	1	
23	DW107210475	5/8"UNC Nyloc Full Nut	1	
24	22090075	3/4"UNC Nut	4	
25	22068075	3/4"UNC Locknut	4	
26	DW108122045	3/4" Spring Washer	4	
27	DW222008077	M12 Fine x37 Taper Head Bolt	2	
28	DW222008064	Tail RH	1	
29	DW222008065	Tail LH	1	
30	DW222008072	M12 Fine x30 CSK Nibbed Bolt	14	
31	DW222008074	M12 Fine x45 CSK Nibbed Bolt	2	
32	DW222008020	M12 Fine x32 Taper Head Bolt	4	
33	DWS113	M12 Fine Whiz-locknut	22	
34				
35				
	<b>DWS4</b>	<b>Convex Furrower Consists Of:</b>		
36	DW801068	Frog	1	
37	DW801084	Mole	1	
37A	DWS330	Tracking Fin	1	Optional
38	DW801146	Shear Bolt	1	
39	DW801276	Point	1	
40	DW801277	Wing RH	1	
41	DW801278	Wing LH	1	
42	DWS135	Universal Leg	1	Prior to BFT 50 was DW801933
43	DW801934	Shin	1	
44	DW801937	Connecting Strap	2	
45	DWS151	Convex Mouldboard LH	1	Prior to BFT 50 was DW802852
46	DWS152	Convex Mouldboard RH	1	Prior to BFT 50 was DW802853
47	DW802854	Adjustable Stay	2	

**SPARE PARTS****2.12b****Furrower Assemblies****Standard Furrower - Assy No DWS3****Convex Furrower - Assy No DWS4**

<b>Item</b>	<b>Part No.</b>	<b>Description</b>	<b>Qty.</b>	<b>Remarks</b>
48	DW802855	Stay Bracket	1	
49	DWS153	LH Wear Strip	1	
50	DWS154	RH Wear Strip	1	
51				
52				
53	DW101116265	1"UNFx 3 1/4"Bolt	1	
54	22028075/325	3/4"UNCx 3 1/4"Bolt	2	
55	22028075/400	3/4"UNCx 4"Bolt	2	
56	DW107116015	1"UNF Full Nut	1	
57	DW107210475	5/8"UNC Nyloc Full Nut	1	
58	22090075	3/4"UNC Nut	4	
59	22068075	3/4"UNC Locknut	4	
60	DW108122045	3/4"Spring Washer	4	
61	DW222008077	M12 Fine x37 Taper Head Bolt	2	
62	DW222008072	M12 Fine x30 CSK Nibbed Bolt	12	
63	DW222008020	M12 Fine x32 Taper Head Bolt	4	
64	DWS113	M12 Fine Whiz-locknut	24	
65	DW222008074	M12 Fine x45 CSK Nibbed Bolt	6	
66	SS040013/003	Washer	6	





## 2.12a

## POWAVATOR 400 SPARE PARTS

Machines from 2008 onwards

## Furrower Assemblies

Standard Furrower - Assy No DWS662

Convex Furrower - Assy No DWS661

Item	Part No.	Description	Qty.	Remarks
	<b>DWS662</b>	<b>Standard Furrower Consists Of:</b>		
1	DWS579	Frog	1	
2	DW801080	Adjustable Stay	2	
3	DW801084	Mole	1	Option
3A	DWS330	Tracking Fin	1	Option
4	DW801087	Stay Bracket RH	1	
5	DW801088	Stay Bracket LH	1	
6				
7	DW801276	Point	1	
8	DW801277	Wing RH	1	
9	DW801278	Wing LH	1	
10				
11	DW801934	Shin	1	
12	DW801937	Connecting Strap	2	
13	DW801938	High Mouldboard LH	1	
14	DW801939	High Mouldboard RH	1	
15				
16				
17				
18	DWS932	Grey Board Washer	4	
19				
20	22028075/325	3/4"UNCx 3 1/4"Bolt	3	
21	22028075/375	3/4"UNCx 3 3/4"Bolt	1	
22				
23				
24	22090075	3/4"UNC Nut	4	Part was 22068075
25	22029020	M20 Plain Nut	4	
26	DW108122045	3/4" Spring Washer	4	
27	DW222008077	M12 Fine x37 Taper Head Bolt	2	
28	DW222008064	Tail RH	1	
29	DW222008065	Tail LH	1	
30	DW222008072	M12 Fine x30 CSK Nibbed Bolt	14	
31	DW222008074	M12 Fine x45 CSK Nibbed Bolt	2	
32	DW222008020	M12 Fine x32 Taper Head Bolt	4	
33	DWS113	M12 Fine Whiz-locknut	22	
34	DW307512055	M12 Fine Nyloc Nut	2	
35				
	<b>DWS661</b>	<b>Convex Furrower Consists Of:</b>		
36	DWS579	Frog	1	
37	DW801084	Mole	1	Option
37A	DWS330	Tracking Fin	1	Option
38				
39	DW801276	Point	1	
40	DW801277	Wing RH	1	
41	DW801278	Wing LH	1	
42				
43	DW801934	Shin	1	
44	DW801937	Connecting Strap	2	
45	DWS151	Convex Mouldboard LH	1	
46	DWS152	Convex Mouldboard RH	1	
47	DW802854	Adjustable Stay	2	

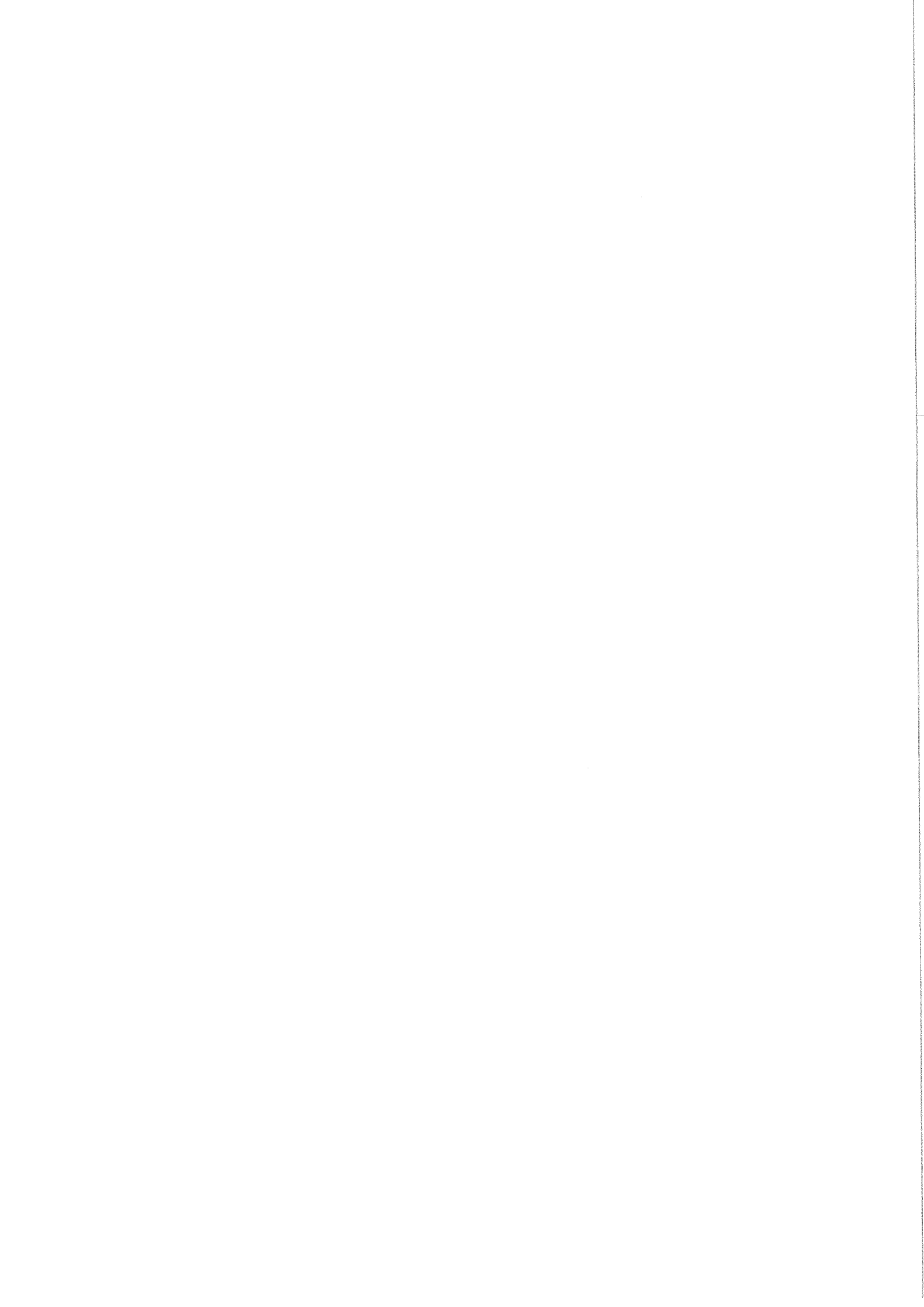


**POWAVATOR 400 SPARE PARTS****2.12b**

Machines from 2008 onwards

**Furrower Assemblies****Standard Furrower - Assy No DWS662****Convex Furrower - Assy No DWS661**

Item	Part No.	Description	Qty.	Remarks
48	DW802855	Stay Bracket	1	
49	DWS153	LH Wear Strip	1	
50	DWS154	RH Wear Strip	1	
51				
52	DWS932	Grey Board Washer	4	
53				
54	22028075/325	3/4"UNCx 3 1/4"Bolt	2	
55	22028075/400	3/4"UNCx 4"Bolt	2	
56				
57				
58	22090075	3/4"UNC Nut	4	
59	22029020	M20 Plain Nut	4	Part was 22068075
60	DW108122045	3/4"Spring Washer	4	
61	DW222008077	M12 Fine x37 Taper Head Bolt	2	
62	DW222008072	M12 Fine x30 CSK Nibbed Bolt	12	
63	DW222008020	M12 Fine x32 Taper Head Bolt	4	
64	DWS113	M12 Fine Whiz-locknut	24	
65	DW222008073	M12 Fine x35 CSK Nibbed Bolt	6	
66	SS040013/003	Washer	6	
67	DW307512055	M12 Fine Nyloc Nut	2	

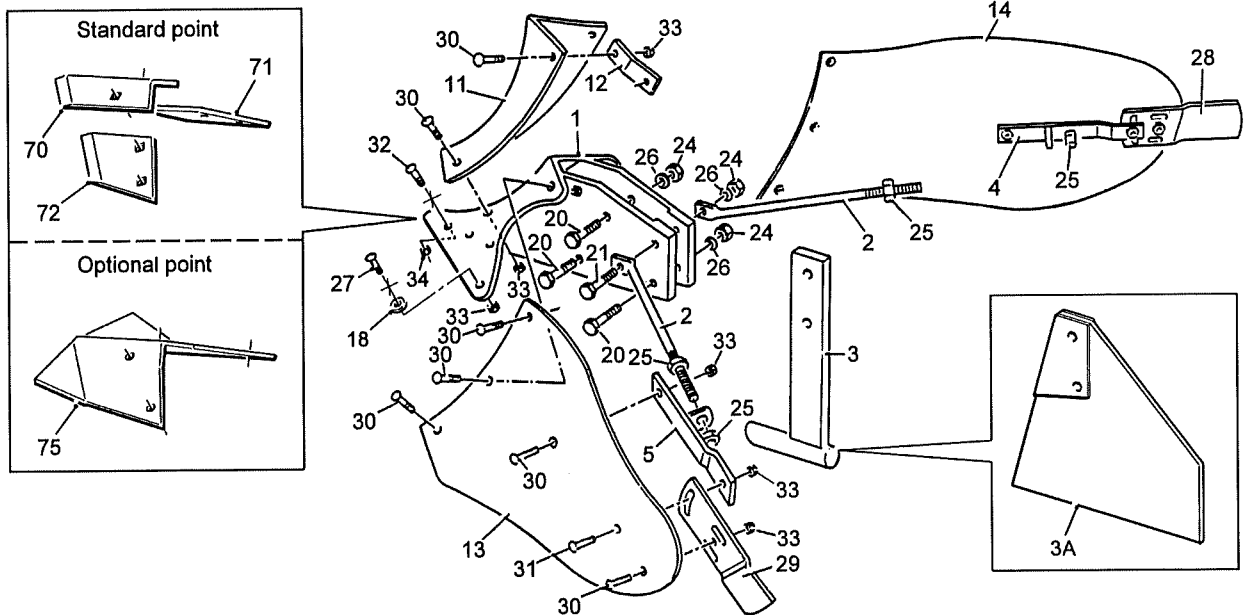


Machines from 2021 onwards

## Furrower Assemblies

### Standard Furrower

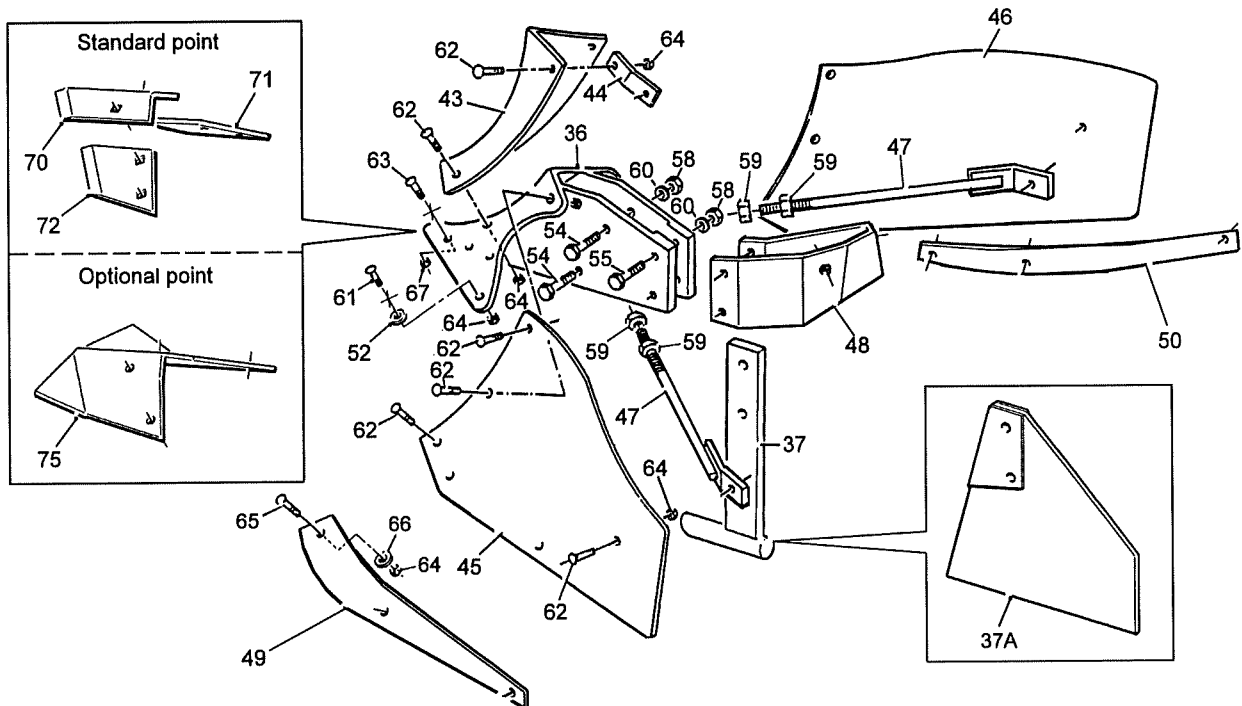
Assy No DWS662A



BF-SP062

### Convex Furrower

Assy No DWS661A



## 2.12a

## POWAVATOR 400 SPARE PARTS

Machines from 2021 onwards

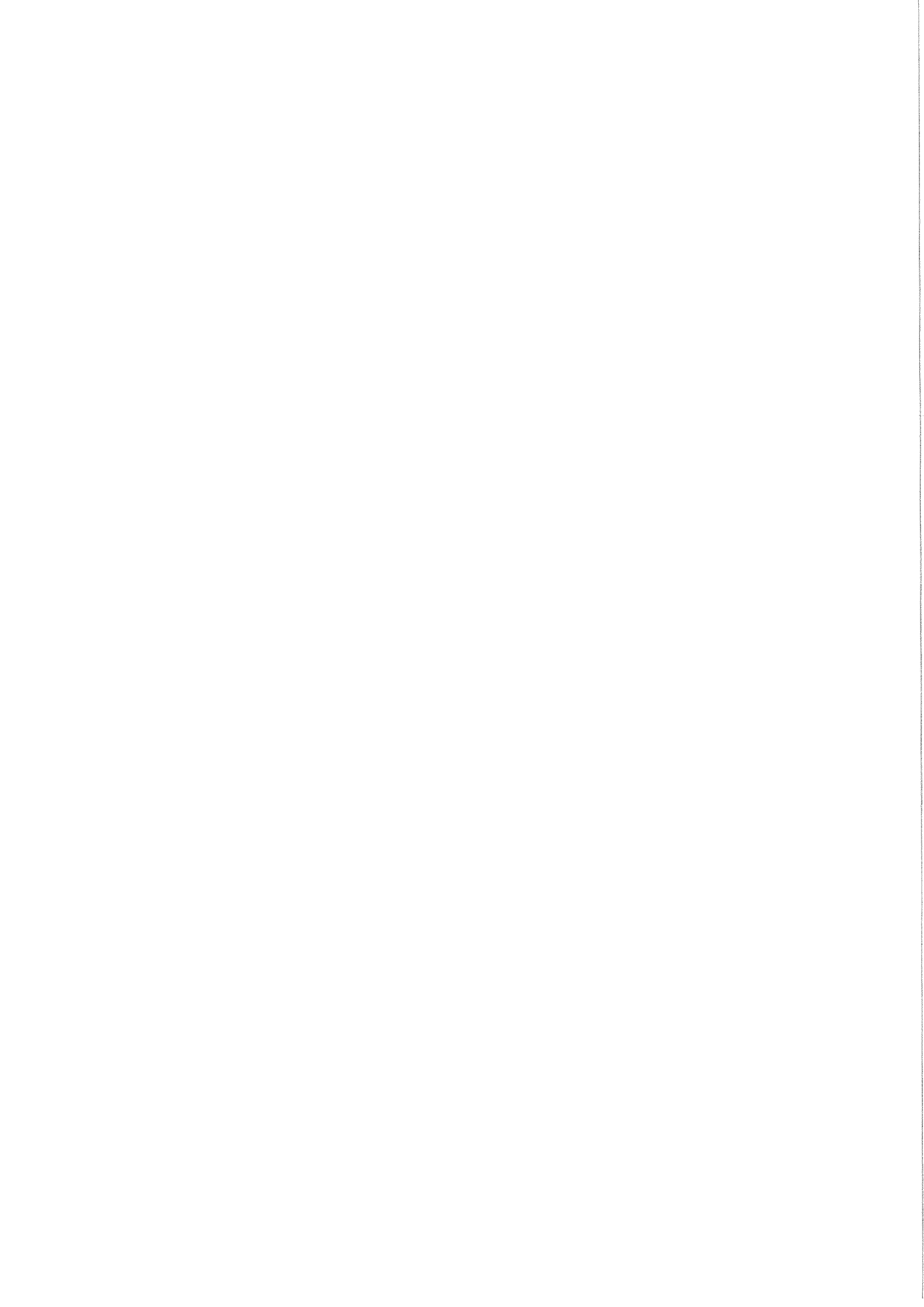
## Furrower Assemblies

Standard Furrower - Assy No DWS662A

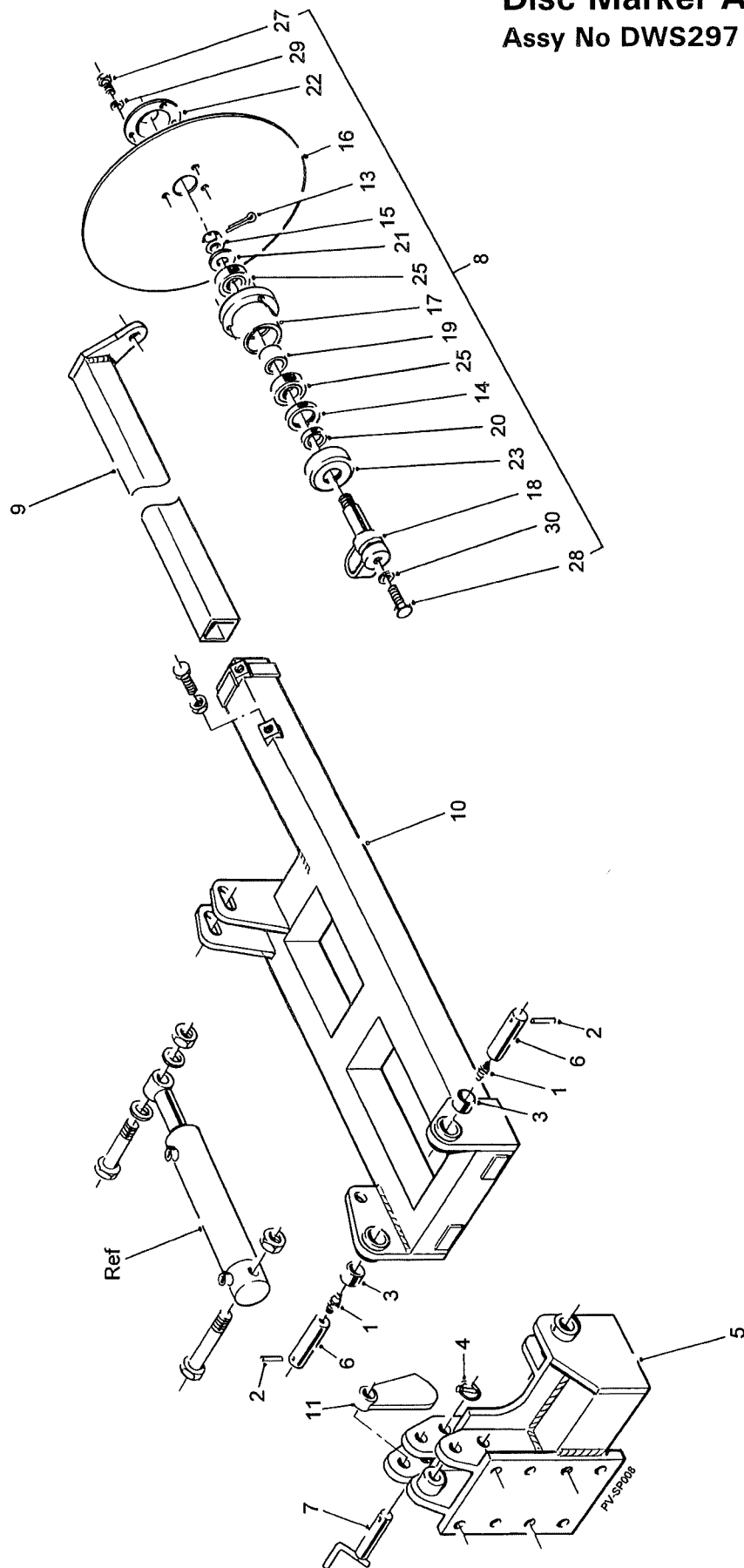
Convex Furrower - Assy No DWS661A

Item	Part No.	Description	Qty.	Remarks
	<b>DWS662A</b>	<b>Standard Furrower Consists Of:</b>		
1	DWS579	Frog	1	
2	DW801080	Adjustable Stay	2	
3	DW801084	Mole	1	Option
3A	DWS330	Tracking Fin	1	Option
4	DW801087	Stay Bracket RH	1	
5	DW801088	Stay Bracket LH	1	
6				
7				
8				
9				
10				
11	DW801934	Shin	1	
12	DW801937	Connecting Strap	2	
13	DW801938	High Mouldboard LH	1	
14	DW801939	High Mouldboard RH	1	
15				
16				
17				
18	DWS932	Grey Board Washer	4	
19				
20	22028075/325	3/4"UNCx 3 1/4"Bolt	3	
21	22028075/375	3/4"UNCx 3 3/4"Bolt	1	
22				
23			1	
24	22090075	3/4"UNC Nut	4	
25	22029020	M20 Plain Nut	4	
26	DW108122045	3/4" Spring Washer	4	
27	DW222008077	M12 Fine x37 Taper Head Bolt	4	
28	DW222008064	Tail RH	1	
29	DW222008065	Tail LH	1	
30	DW222008072	M12 Fine x30 CSK Nibbed Bolt	14	
31	DW222008074	M12 Fine x45 CSK Nibbed Bolt	2	
32	DW222008020	M12 Fine x32 Taper Head Bolt	2	
33	DWS113	M12 Fine Whiz-locknut	20	
34	DW307512055	M12 Fine Nyloc Nut	2	
35				
	<b>DWS661A</b>	<b>Convex Furrower Consists Of:</b>		
36	DWS579	Frog	1	
37	DW801084	Mole	1	Option
37A	DWS330	Tracking Fin	1	Option
38				
39				
40				
41				
42				
43	DW801934	Shin	1	
44	DW801937	Connecting Strap	2	
45	DWS151	Convex Mouldboard LH	1	
46	DWS152	Convex Mouldboard RH	1	
47	DW802854	Adjustable Stay	2	





Disc Marker Assemblies  
Assy No DWS297



## Disc Marker Assemblies

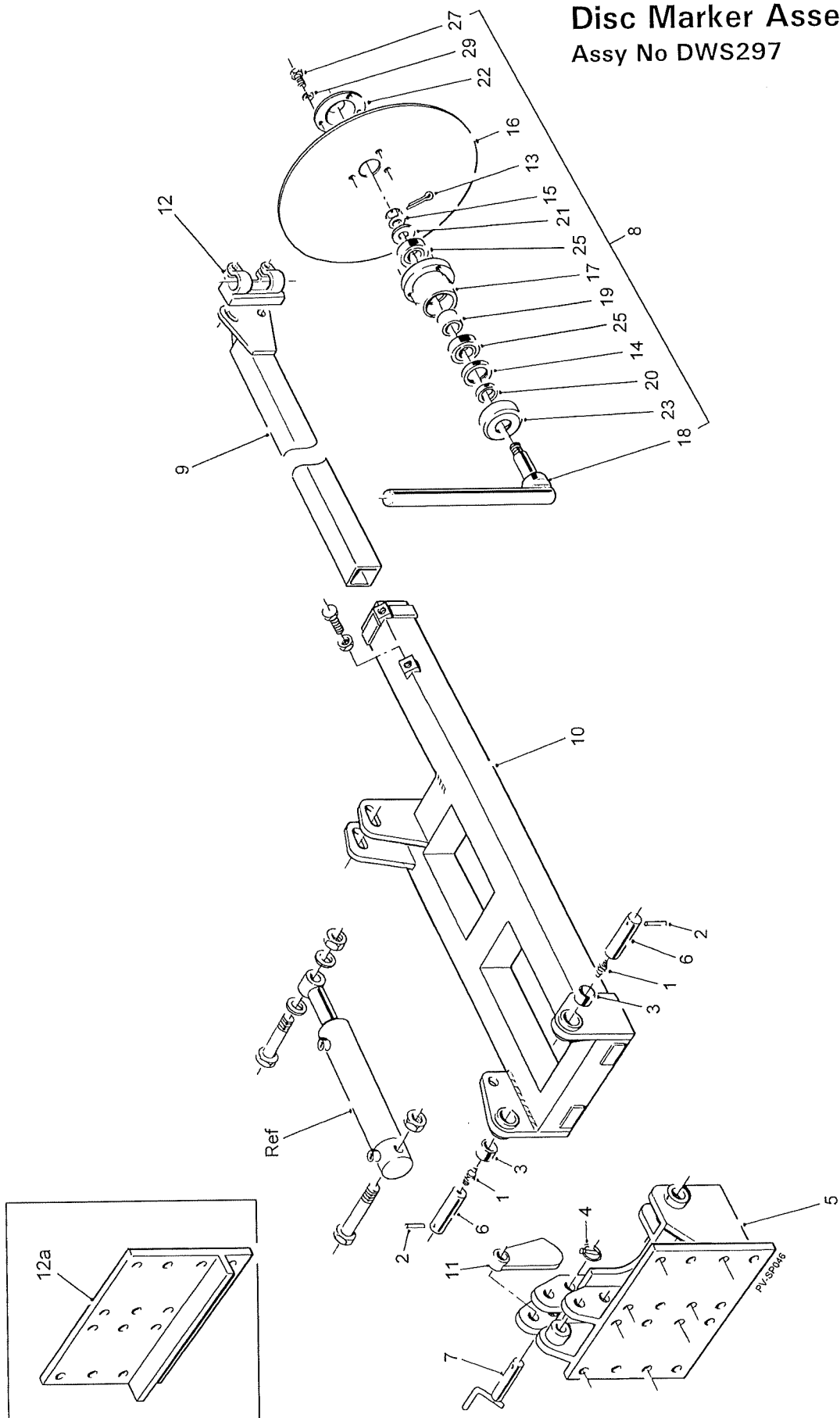
Assy No DWS297

Item	Part No.	Description	Qty.	Remarks
1	DW202030870	M6 Grease Nipple	4	
2	22067008/50	Roll Pin (Ø8x50mm)	4	
3	DW253034303	Bush	4	
4	DW50934	Linch Pin	2	
5	DWS293	Marker Bracket	2	
6	DW802866	Pivot Pin	4	
7	DW802873	Lock Pin	2	
8	DW802906	Disc Assembly	2	(see list at end)
9	DWS16	Disc Mount (wheeling marker)	2	
	DWS15	Disc Mount (centre-line marker)	2	
10	DWS294	Marker Arm	2	
11	DWS295	Stop Plate	2	
12				
	<b>DW802906</b>	<b>Disc Assembly Consists Of:</b>		
13	DW208016780	Split Pin	1	
14	DW266240071	Seal	1	
15	DW307212080	M12 Castellated Nut	1	
16	DW311408	Disc	1	
17	DW802926	Hub	1	
18	DW802929	Axle	1	
19	DW802933	Spacer	1	
20	DW802934	Sealing Ring	1	
21	DW802935	Washer	1	
22	DW802936	Hub Cap	1	
23	DW802937	Dust Cover	1	
24				
25	62062RS	Bearing	2	
26				
27	22011010/020	M10x20mm Hex Head Setscrew	3	
28	22012016/050	M16x50mm Hex Head Bolt	1	
29	22052010	M10 Spring Washer	3	
30	22052016	M16 Spring Washer	1	



Machines from Serial No PV400200-376

## Disc Marker Assemblies Assy No DWS297



## 2.13a

## POWAVATOR 400 SPARE PARTS

Machines from Serial No PV400200-376

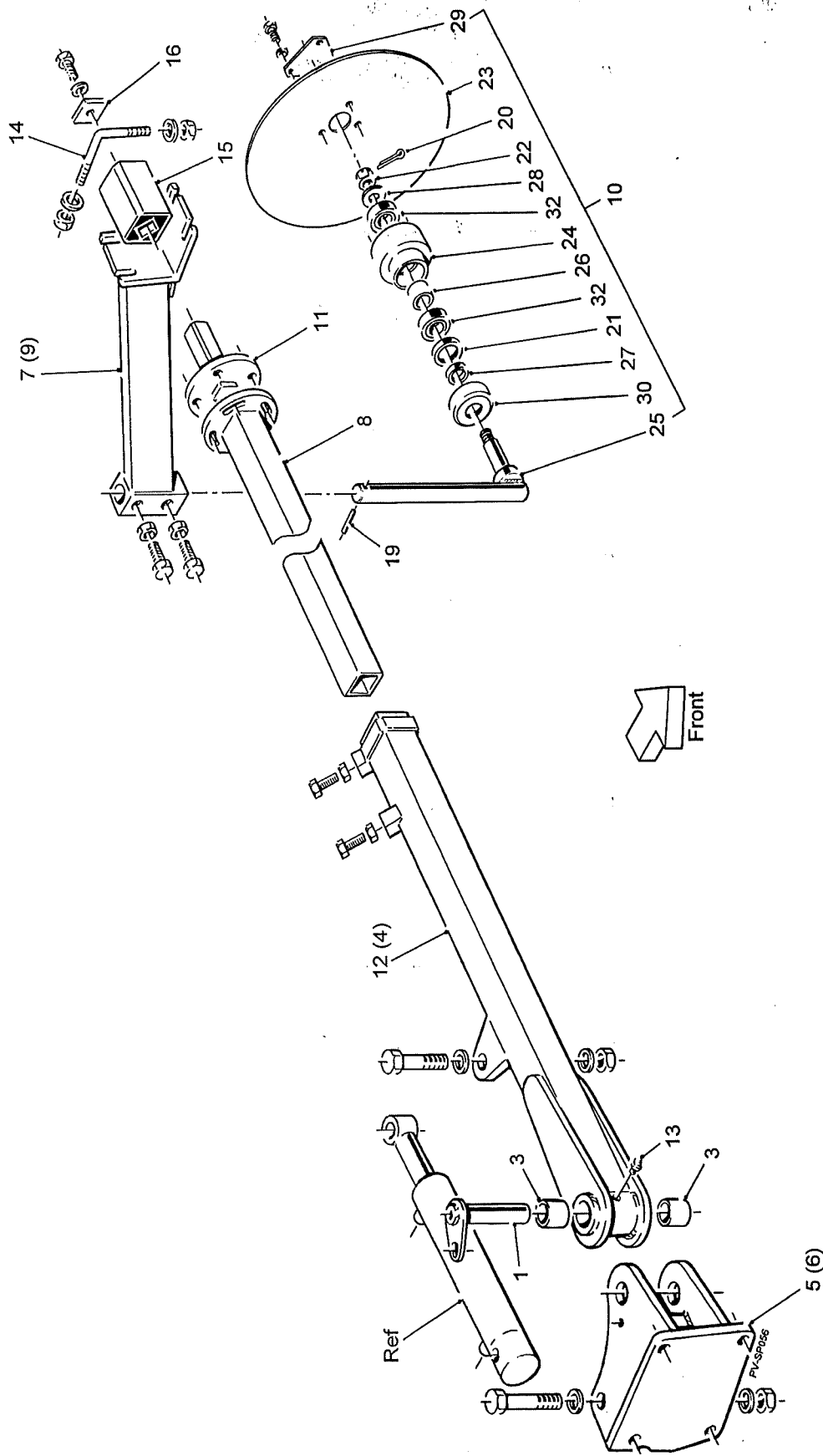
## Disc Marker Assemblies

Assy No DWS297

Item	Part No.	Description	Qty.	Remarks
1	DW202030870	M6 Grease Nipple	4	
2	22067008/50	Roll Pin (Ø8x50mm)	4	
3	DW253034303	Bush	4	
4	DW50934	Linch Pin	2	
5	DWS293	Marker Bracket	2	
6	DW802866	Pivot Pin	4	
7	DW802873	Lock Pin	2	
8	DWS541	Disc Assembly	2	(see list at end)
9	DWS539	Extension Arm	2	
10	DWS294	Marker Arm	2	
11	DWS295	Stop Plate	2	
12	PS1002AM	Clamp	2	
12a	DWS581	LH Spacer Plate	1	
	<b>DWS541</b>	<b>Disc Assembly Consists Of:</b>		
13	DW208016780	Split Pin	1	
14	DW266240071	Seal	1	
15	DW307212080	M12 Castellated Nut	1	
16	DW311408	Disc	1	
17	DW802926	Hub	1	
18	DWS540	Disc Leg	1	
19	DW802933	Spacer	1	
20	DW802934	Sealing Ring	1	
21	DW802935	Washer	1	
22	DW802936	Hub Cap	1	
23	DW802937	Dust Cover	1	
24				
25	62062RS	Bearing	2	
26				
27	22011010/020	M10x20mm Hex Head Setscrew	3	
28				
29	22052010	M10 Spring Washer	3	

Machines from 2008 onwards

## Disc Marker Assemblies



## 2.13a

## POWAVATOR 400 SPARE PARTS

Machines from 2008 onwards

## Disc Marker Assemblies

Item	Part No.	Description	Qty.	Remarks
1	DWS854	Pivot Pin	2	Replaces 49195
2				
3	DWS171	Nylon Bush	4	
4	DWS739	Marker Arm	1	Qty was x2
5	DWS740	LH Mounting Bracket	1	
6	DWS741	RH Mounting Bracket	1	(not shown)
7	DWS815	Leg Mounting Bracket	1	
8	DWS816	Leg Mounting Arm	2	
9	DWS815	Leg Mounting Bracket (not shown)	1	Replaces DWS836
10	DWS837	Disc Assembly	2	(see list at end)
11	DWS841	Marker Arm Tension Bracket	2	
12	DWS963	Marker Arm	1	
13	GS412	1/8" BSP Straight Grease Nipple	2	
14	RPF122.116115	M16 'L' Bolt	4	
15	RPGMRP084.00001	Rubber Torsion Unit	2	
16	RPM152.303434	Retainer	2	
17				
18				
19	22067008/050	Ø8x50 Roll Pin	2	
	<b>DWS837</b>	<b>Disc Assembly Consists Of:</b>		
20	DW208016780	Split Pin	1	
21	DW266240071	Seal	1	
22	DW307212080	M12 Castellated Nut	1	
23	DW802703	Disc	1	
24	DWS839	Hub	1	
25	DWS838	Disc Leg	1	
26	DW802933	Spacer	1	
27	DW802934	Sealing Ring	1	
28	DW802935	Washer	1	
29	DWS840	Hub Cover Plate	1	
30	DW802937	Dust Cover	1	
31			1	
32	62062RS	Bearing	2	



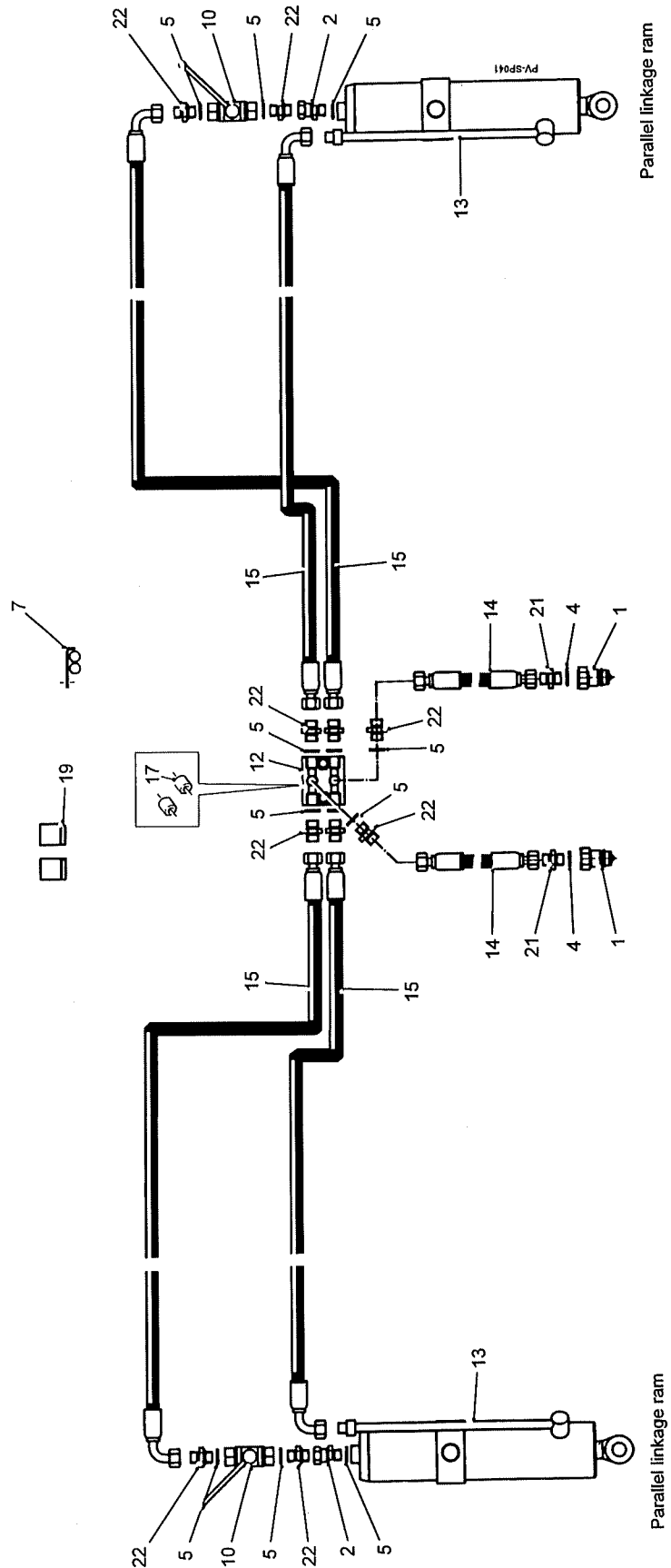
## 2.14a

## POWAVATOR 400 SPARE PARTS

## Parallel Linkage/Disc Marker Hydraulics

Item	Part No.	Description	Qty.	Remarks
1	10140	1/2"BSP Male Probe	2	
2	11124	1/2"BSP Dowty Seal	2	
3	11125	3/8"BSP Dowty Seal	20	
4	10128	3/8"BSP M F Swivel Adaptor	4	
5	DWS677	Hose Clamp	2	
6				
7	46939	3/8"BSP FMM Tee	4	
8				
9	DW202046270	3/8"BSP 2-Way Ball Valve	4	
10	DW222008066	3/8"BSP Restrictor	2	
11	DW801992	3/8"BSP Junction Block	1	
12	DW802509	Hydraulic Ram	2	
13				
14	DW802591	3/8"Hose Assembly (2000mm)	2	
15				
16				
17				
18	DW802794	3/8"Hose Assembly (1110mm)	2	
19	DW802596	3/8"Hose Assembly (1000mm)	2	
20	60374	3/8"Hose Assembly (4200mm)	4	Was DW802796
21				
22	DW802611	Hydraulic Ram	2	
23				
24				
25				
26	KA17316	1/2"Hose Anchor	2	Used prior to 2021 only
27				
28	UC25	1/2"BSPx3/8"BSP M M Adaptor	2	
29	UC31A	3/8"BSP M M Adaptor	14	

Parallel Linkage Dual Operation Hydraulics  
Assy No DWS317

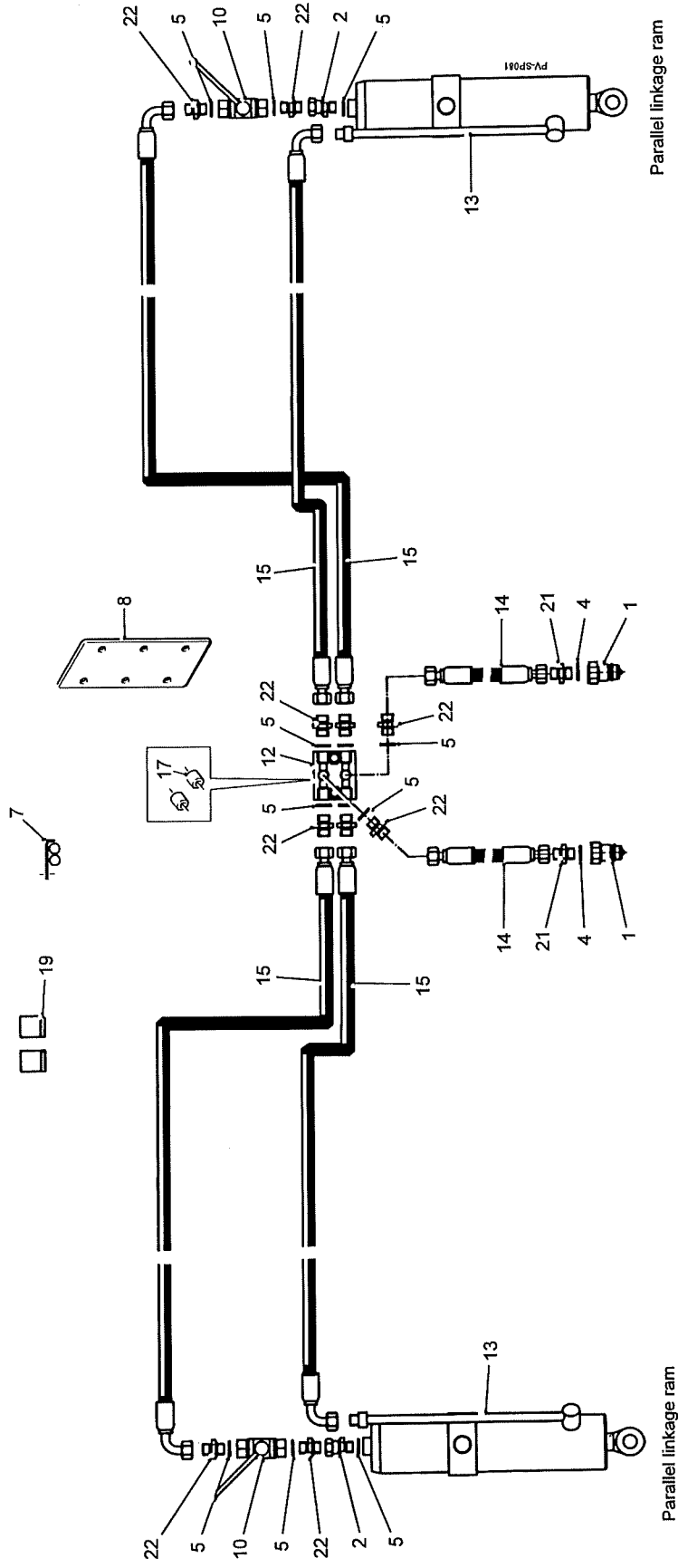


**2.15a****POWAVATOR 400 SPARE PARTS****Parallel Linkage Dual Operation Hydraulics****Assy No DWS317**

Item	Part No.	Description	Qty.	Remarks
1	10140	1/2"BSP Male Probe	2	
2	10128	3/8"BSP M F Swivel Adaptor	2	
3				
4	11124	1/2"BSP Dowty Seal	2	
5	11125	3/8"BSP Dowty Seal	12	
6				
7	DWS677	Hose Clamp	2	
8				
9				
10	DW202046270	3/8"BSP 2-Way Ball Valve	2	
11				
12	DW801992	3/8"BSP Junction Block	1	
13	DW802509	Hydraulic Ram	2	
14	DW802591	3/8"Hose Assembly (2000mm)	2	
15	60374	3/8"Hose Assembly (4200mm)	4	Was DW802796
16				
17	SS012009/015	Steel Spacer	2	
18				
19	KA17316	1/2"Hose Anchor	2	
20				
21	UC25	1/2"BSPx3/8"BSP M M Adaptor	2	
22	UC31A	3/8"BSP M M Adaptor	10	



Parallel Linkage Dual Operation Hydraulics  
 Assy No DWS317



## 2.15a

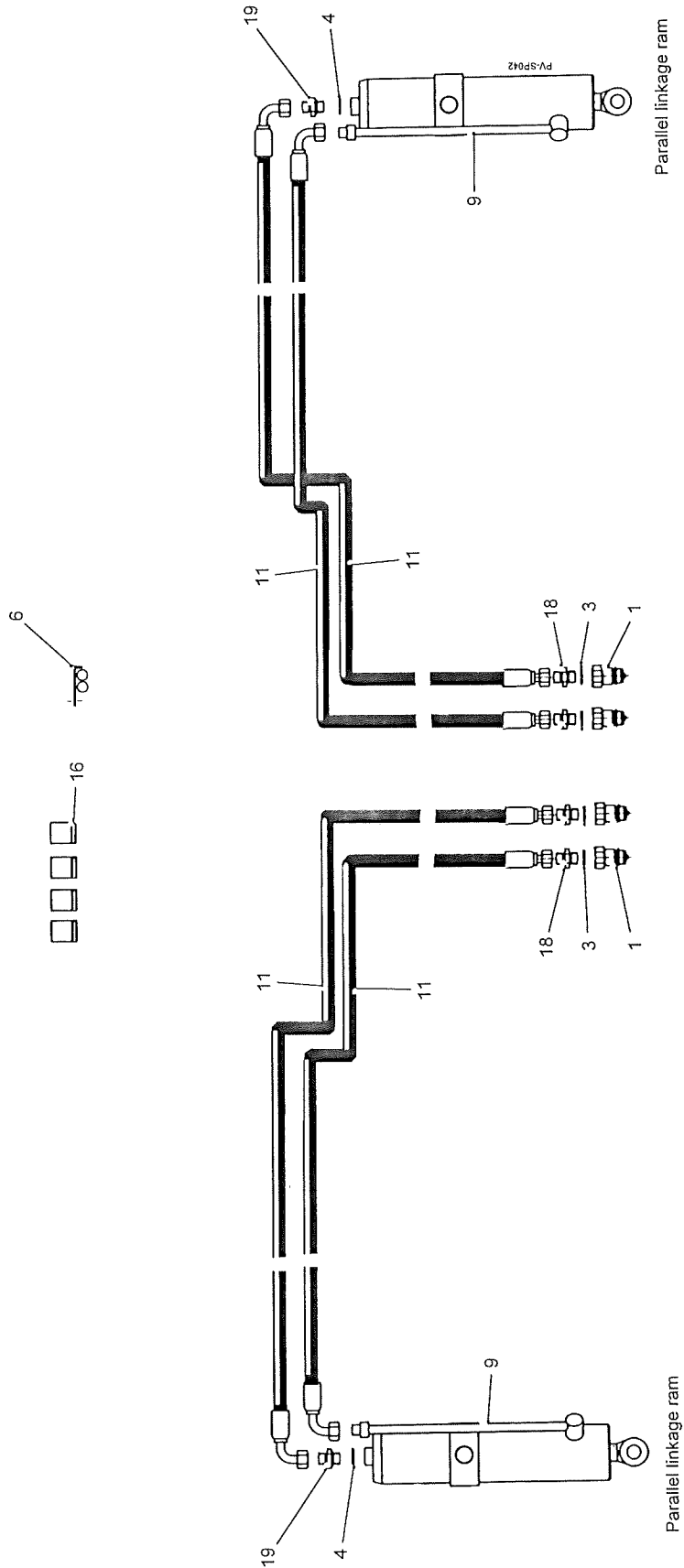
## POWAVATOR 400 SPARE PARTS

## Parallel Linkage Dual Operation Hydraulics

Assy No DWS317

Item	Part No.	Description	Qty.	Remarks
1	10140	1/2"BSP Male Probe	2	
2	10128	3/8"BSP M F Swivel Adaptor	2	
3				
4	11124	1/2"BSP Dowty Seal	2	
5	11125	3/8"BSP Dowty Seal	12	
6				
7	DWS677	Hose Clamp	2	
8	DWS1208	Double Junction Block Plate	1	Used with double dual operation
9				
10	DW202046270	3/8"BSP 2-Way Ball Valve	2	
11				
12	DW801992	3/8"BSP Junction Block	1	
13	DW802509	Hydraulic Ram	2	
14	DW802591	3/8"Hose Assembly (2000mm)	2	
15	60374	3/8"Hose Assembly (4200mm)	4	Outer bodies
	52312	3/8"Hose Assembly (3000mm)	4	Centre bodies
16				
17	SS012009/015	Steel Spacer	2	
18				
19	KA17316	1/2"Hose Anchor	2	Used prior to 2021 only
20				
21	UC25	1/2"BSPx3/8"BSP M M Adaptor	2	
22	UC31A	3/8"BSP M M Adaptor	10	

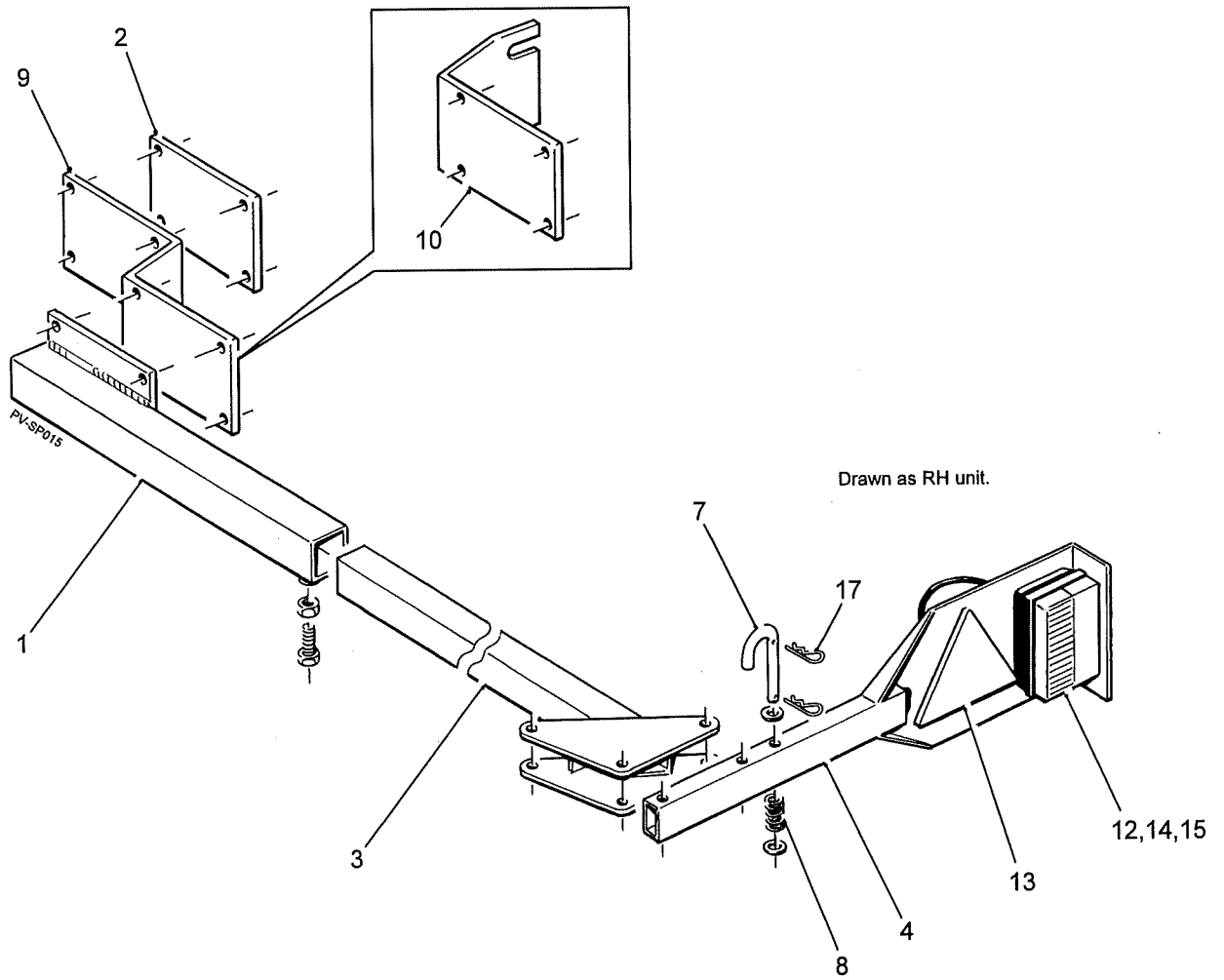
Parallel Linkage Individual Operation Hydraulics  
Assy No DWS489



**2.16a****POWAVATOR 400 SPARE PARTS****Parallel Linkage Individual Operation Hydraulics**      **Assy No DWS489**

<b>Item</b>	<b>Part No.</b>	<b>Description</b>	<b>Qty.</b>	<b>Remarks</b>
1	10140	1/2"BSP Male Probe	4	
2				
3	11124	1/2"BSP Dowty Seal	4	
4	11125	3/8"BSP Dowty Seal	2	
5				
6	DWS677	Hose Clamp	2	
7				
8				
9	DW802509	Hydraulic Ram	2	
10				
11	DWS488	3/8"Hose Assembly (5300mm)	4	
12				
13				
14				
15				
16	KA17316	1/2"Hose Anchor	4	Used prior to 2021 only
17				
18	UC25	1/2"BSPx3/8"BSP M M Adaptor	4	
19	UC31A	3/8"BSP M M Adaptor	2	

Lighting Kit  
Assy No DWS358

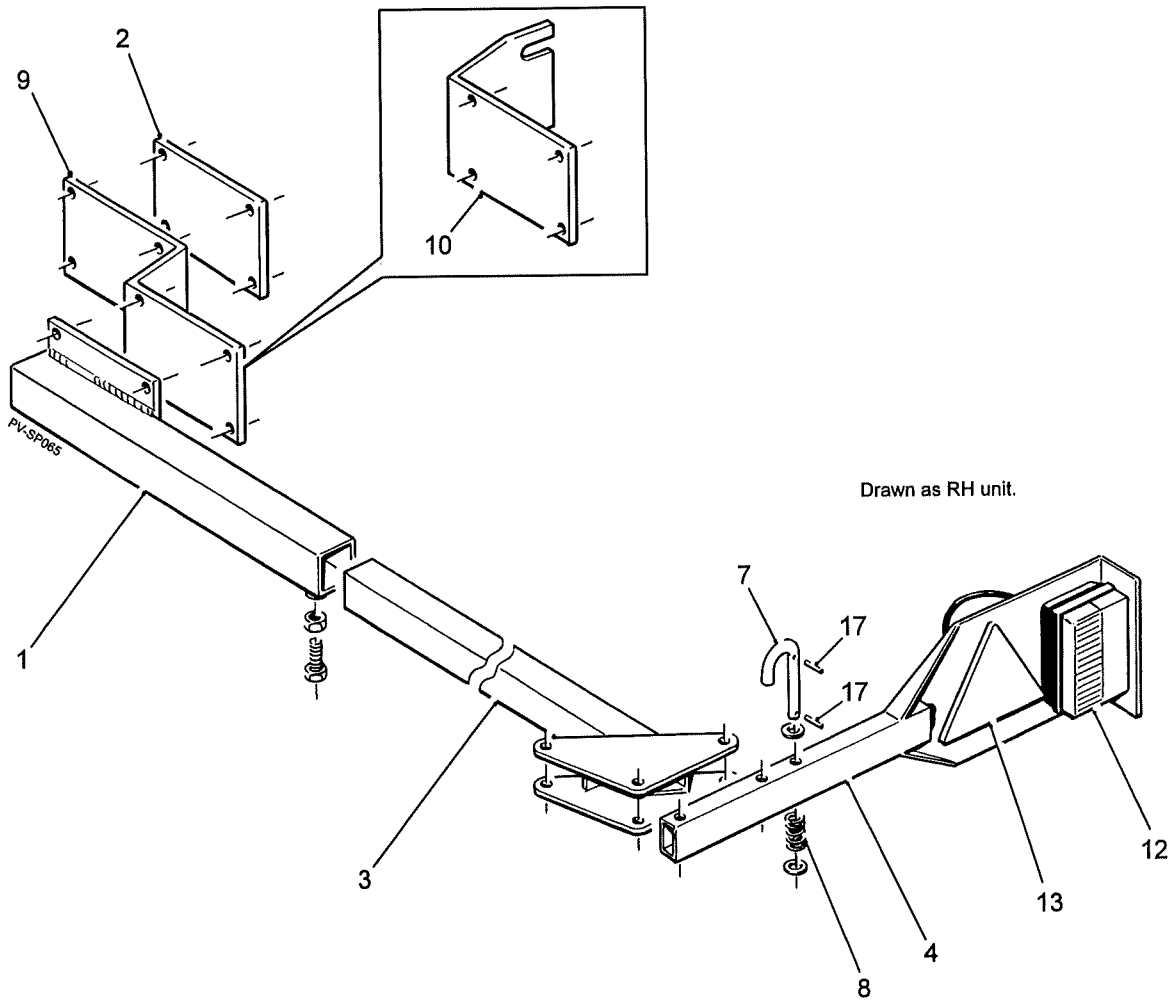


**2.17a****POWAVATOR 400 SPARE PARTS****Lighting Kit****Assy No DWS358**

<b>Item</b>	<b>Part No.</b>	<b>Description</b>	<b>Qty.</b>	<b>Remarks</b>
1	DWS353	Mounting Bracket	2	
2	DWS354	Clamp Plate	2	Not used on 140 model
3	DWS355	Mounting Arm	2	
4	DWS934	Light Plate	2	Prior to 2009 was DWS356
5	DWS357	Wiring Loom	1	(not shown)
6				
7	DWS359	Hook Catch	2	
8	DWS360	Spring	2	
9	DWS716	Light Mounting Plate	2	Not used on 140 model
10	DWS842	Light Mounting Plate	2	For 140 model only
11				
12	42088/4	Rear Light c/w Bulbs	2	Prior to 2009 was RPE258.307747
13	RPE272.307748	Red Triangle Reflector	2	
14	RPS2	Stop Bulb	2	
15	RPS3	Indicator Bulb	2	
16				
17	S86-82-001	R'Clip	4	

Machines from 2013

**Lighting Kit**  
Assy No DWS358



**2.17a****POWAVATOR 400 SPARE PARTS**

Machines from 2013

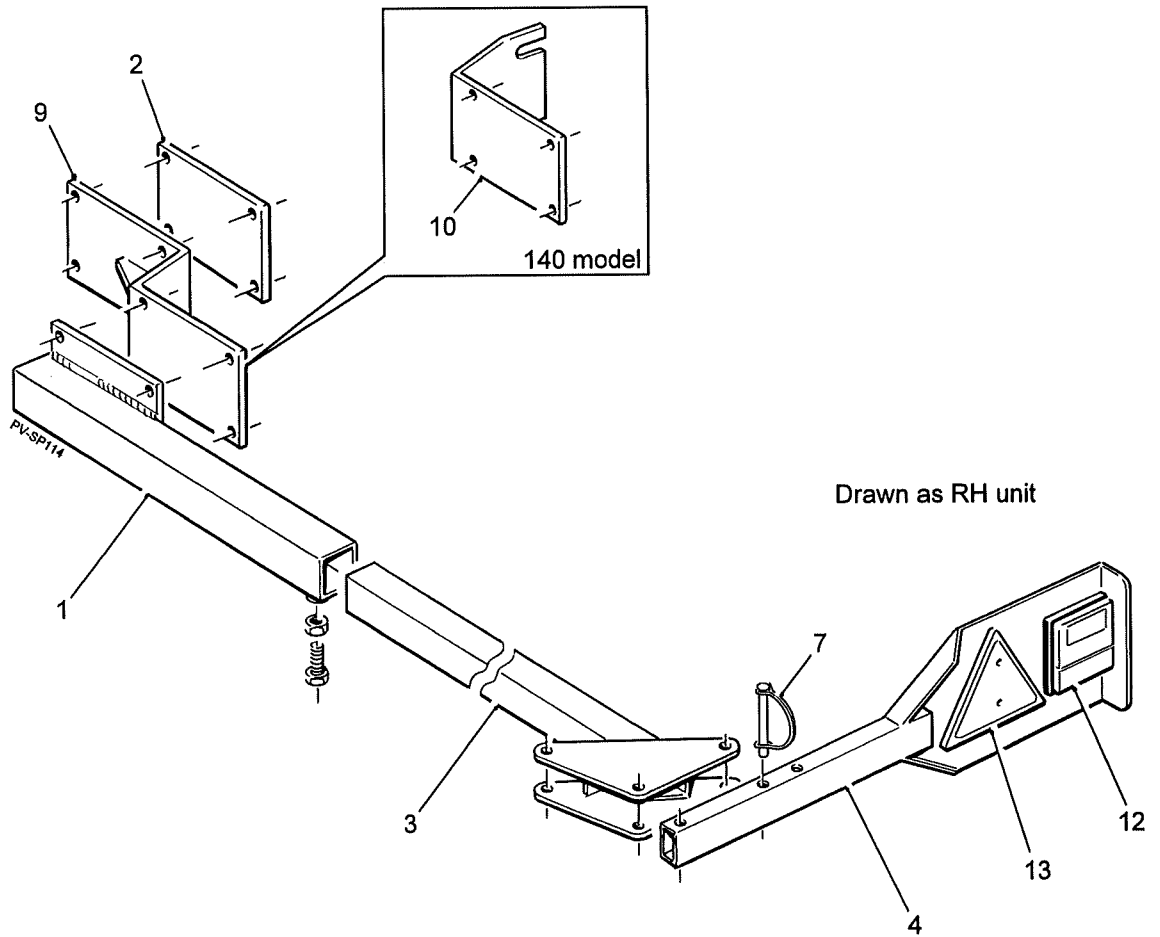
**Lighting Kit****Assy No DWS358**

<b>Item</b>	<b>Part No.</b>	<b>Description</b>	<b>Qty.</b>	<b>Remarks</b>
1	DWS353	Mounting Bracket	2	
2	DWS354	Clamp Plate	2	Not used on 140 model
3	DWS355	Mounting Arm	2	
4	DWS934A	Light Plate	2	
5	DWS357	Wiring Loom	1	(not shown)
6				
7	DWS359	Hook Catch	2	
8	DWS360	Spring	2	
9	DWS716	Light Mounting Plate	2	Not used on 140 model
10	DWS842	Light Mounting Plate	2	For 140 model only
11				
12	62217A	LED Rear Light	2	Was 62217
13	RPE272.307748	Red Triangle Reflector	2	
14				
15				
16				
17	22078003/032	Ø3x32 Roll Pin	4	Was S86-82-001



Machines from 2024

**Lighting Kit**  
Assy No DWS358



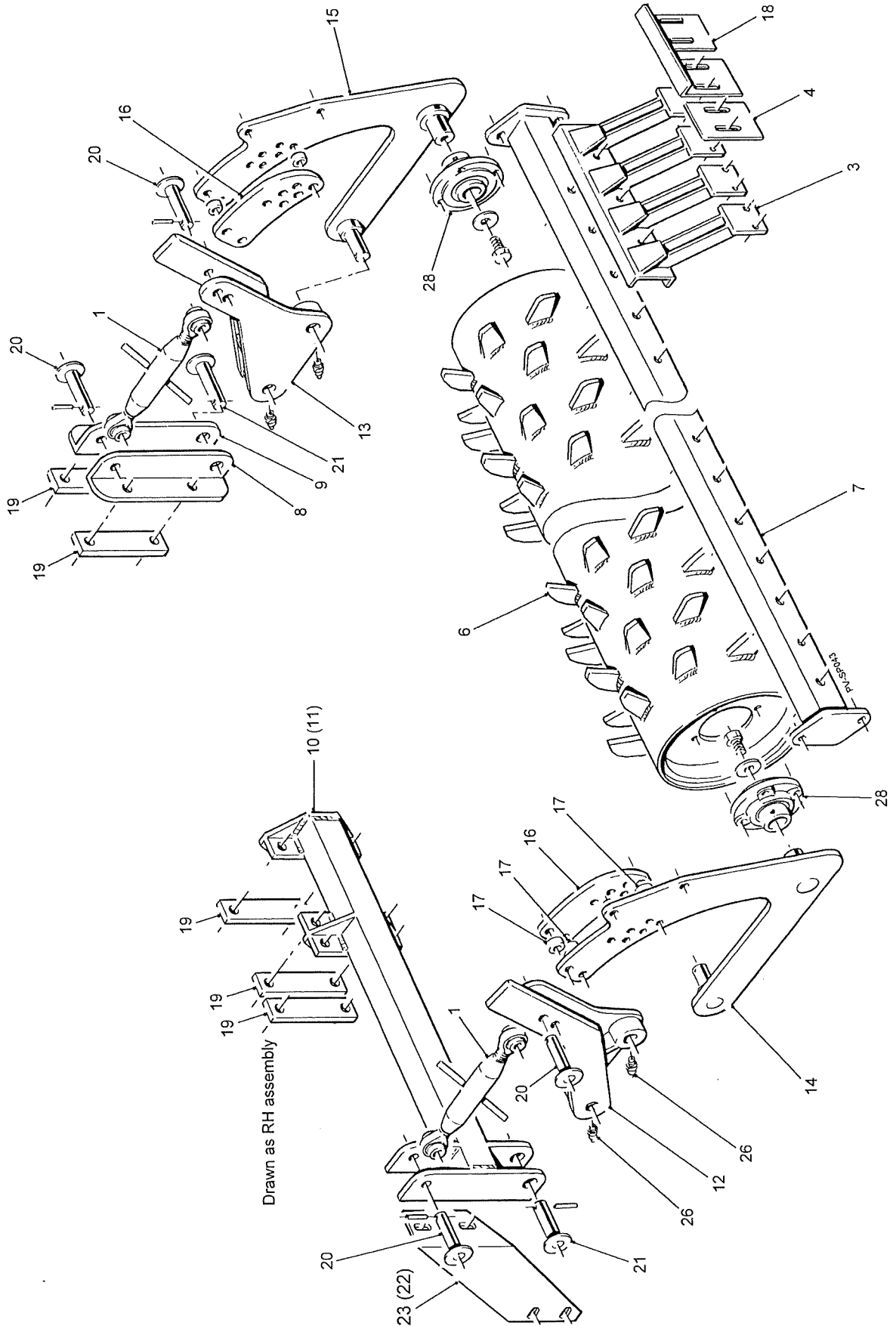
**2.17a****POWAVATOR 400 SPARE PARTS**

Machines from 2024

**Lighting Kit****Assy No DWS358**

<b>Item</b>	<b>Part No.</b>	<b>Description</b>	<b>Qty.</b>	<b>Remarks</b>
1	DWS353	Mounting Bracket	2	
2	DWS354	Clamp Plate	2	Not used on 140 model
3	DWS355	Mounting Arm	2	
4	DWS934A	Light Plate	2	
5	DWS357	Wiring Loom	1	(not shown)
6				
7	DWS1487	Ø11 Locking Pin	2	
8				
9	DWS716	Light Mounting Plate	2	Not used on 140 model
10	DWS842	Light Mounting Plate	2	For 140 model only
11				
12	62217A	LED Rear Light	2	
13	RPE272.307748	Red Triangle Reflector	2	

Packer Roller Assemblies  
Assy No DWS551



2.18a

## POWAVATOR 400 SPARE PARTS

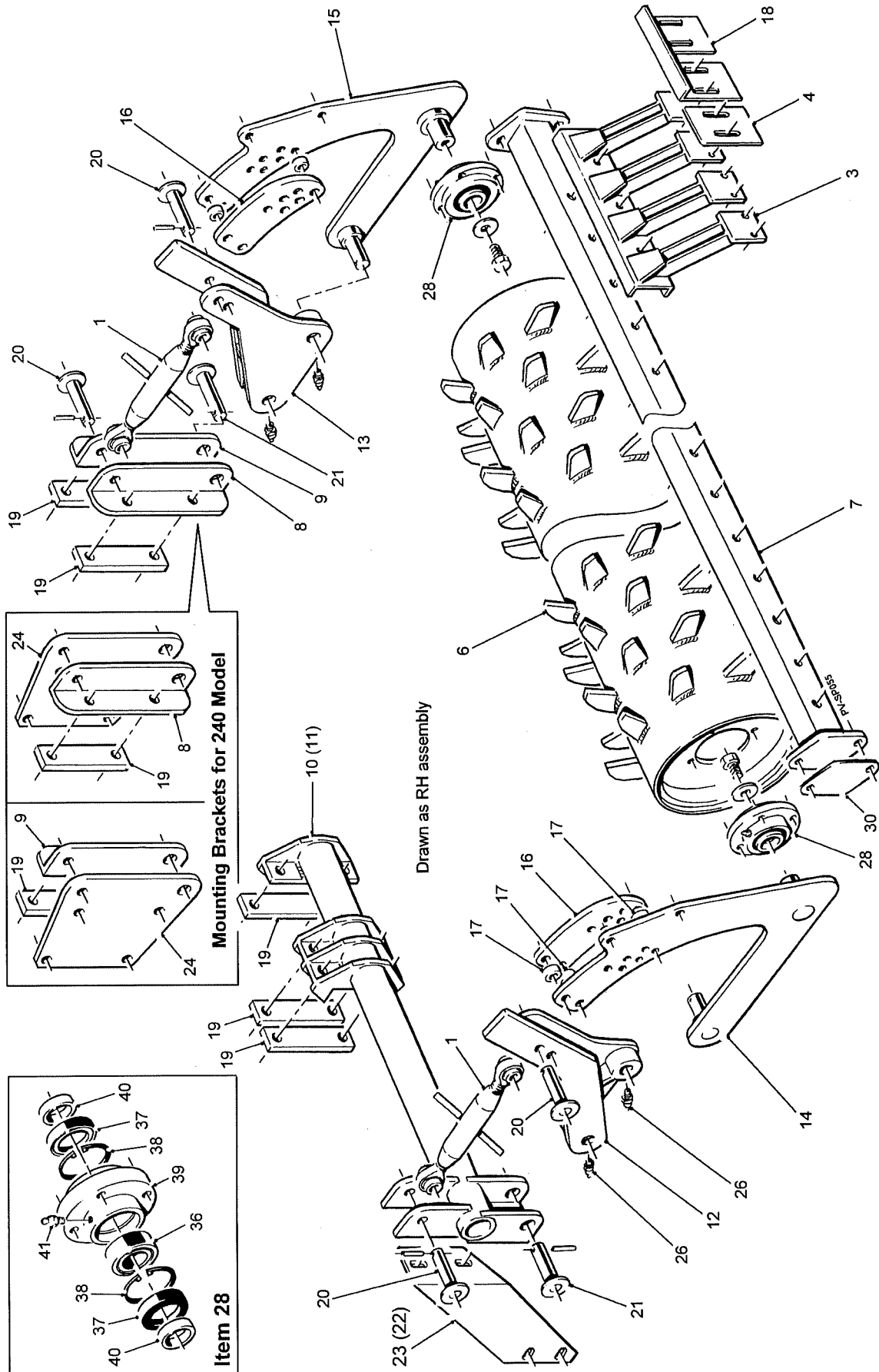
## Packer Roller Assemblies

Assy No DWS551

Item	Part No.	Description	Qty.	Remarks
1	42678	Top Link Assembly	4	
2				
3	DW821922	Scraper Bank	10	
4	DW821926	Scraper Plate	38	
5				
6	DWS552	Packer Roller	2	
7	DWS553	Scraper Bar	2	
8	DWS554	LH Mounting	2	
9	DWS555	RH Mounting	2	
10	DWS556	RH Inner Support	1	
11	DWS557	LH Inner Support	1	(not shown)
12	DWS558	LH Arm	2	
13	DWS559	RH Arm	2	
14	DWS560	LH Roller Arm	2	
15	DWS561	RH Roller Arm	2	
16	DWS562	Adjuster Plate	4	
17	DWS563	Adjuster Spacer	12	
18	DWS564	End Scraper	2	
19	DWS565	Clamp Plate	10	
20	DWS566	Top Link Pin	8	
21	DWS567	Arm Pin	4	
22	DWS601	LH Inner Support	1	(not shown)
23	DWS602	RH Inner Support	1	
24				
25				
26	GS412	1/8"BSP Straight Grease Nipple	8	
27				
28	MFC50HLT	Bearing	4	

Machines from 2008 onwards

## Packer Roller Assemblies



2.18a

**POWAVATOR 400 SPARE PARTS**

Machines from 2008 onwards

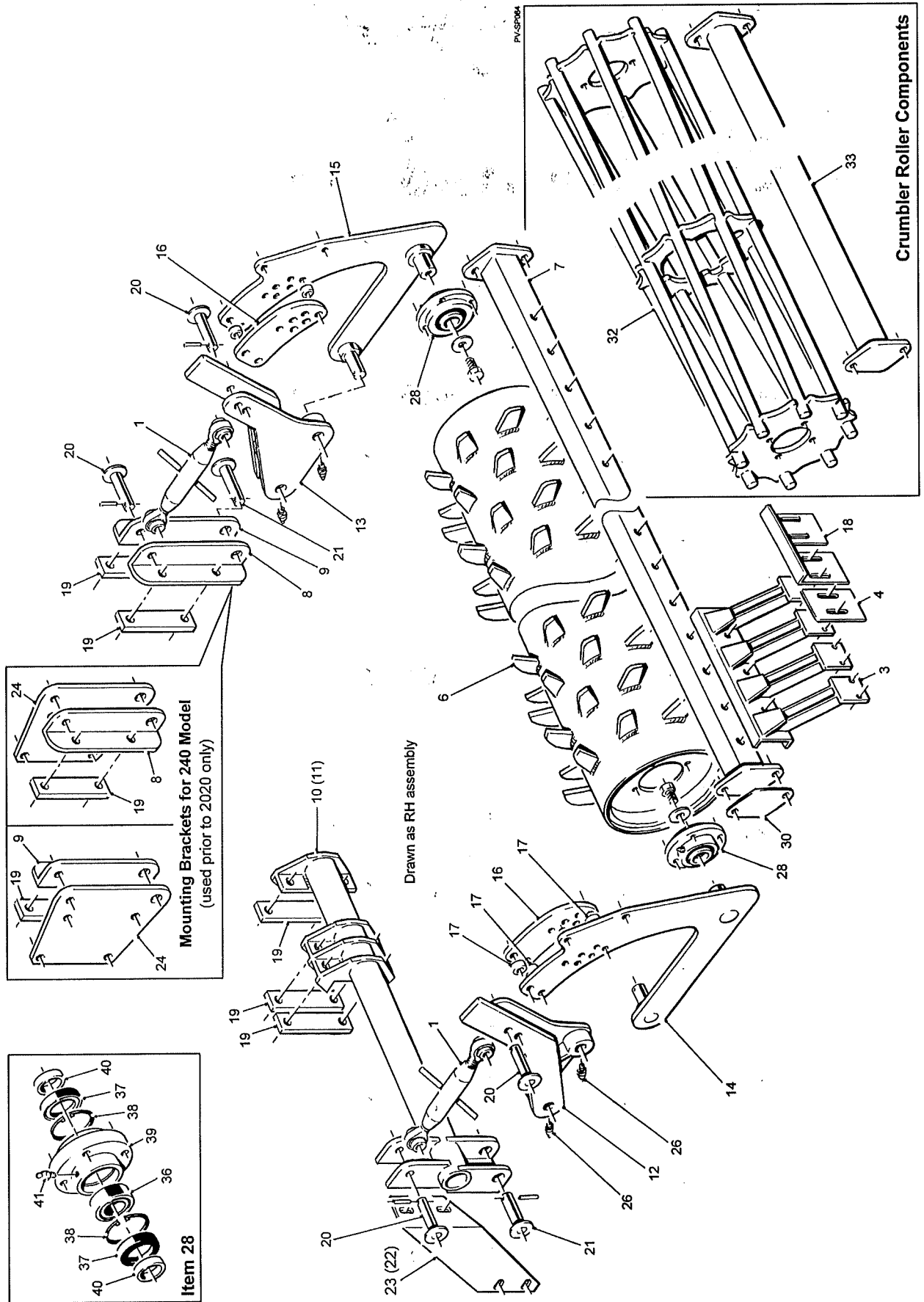
**Packer Roller Assemblies**

200 Model - Assy No DWS551

240 Model - Assy No DWS704

Item	Part No.	Description	Qty.	Remarks
1	42678	Top Link Assembly	4	
2				
3	DW821922	Scraper Bank	10	Qty x12 on 240 model
4	DW821926	Scraper Plate	38	Qty x46 on 240 model
5				
6	DWS552	100"Packer Roller	2	200 model
	DWS702	120"Packer Roller	2	240 model
7	DWS553	100"Scraper Bar	2	200 model
	DWS703	120"Scraper Bar	2	240 model
8	DWS554	LH Mounting	2	Qty x1 on 240 model
9	DWS555	RH Mounting	2	Qty x1 on 240 model
10	DWS556	RH Inner Support	1	
11	DWS557	LH Inner Support	1	(not shown)
12	DWS558	LH Arm	2	
13	DWS559	RH Arm	2	
14	DWS560	LH Roller Arm	2	
15	DWS561	RH Roller Arm	2	
16	DWS562	Adjuster Plate	4	
17	DWS563	Adjuster Spacer	12	
18	DWS564	End Scraper	2	
19	DWS565	Clamp Plate	10	
20	DWS566	Top Link Pin	8	
21	DWS567	Arm Pin	4	
22	DWS601	LH Inner Support	1	(not shown)
23	DWS602	RH Inner Support	1	
24	DWS715	End Plate	2	Used on 240 model only
25				
26	GS412	1/8"BSP Straight Grease Nipple	8	
27				
28	DWS727	Bearing Assembly (see list at end)	4	Supercedes MFC50HLT
29				
30	DWS115	2mm Shim	2	
	DWS116	3mm Shim	2	
	DWS117	5mm Shim	2	
31				
32				
33				
34				
35				
	<b>DWS727</b>	<b>Bearing Assembly Consists Of:</b>		
36	3210E	Bearing	1	
37	46546	Seal (60x90x8)	2	
38	46564	Ø90 Internal Circlip	2	
39	DWS725	Hub	1	
40	DWS726	Spacer	2	
41	RPC648.061000	M6 Straight Grease Nipple	1	

Packer Roller & Crumbler Roller Assemblies



## 2.18a

## POWAVATOR 400 SPARE PARTS

## Packer &amp; Crumbler Roller Assemblies

200 Model - Assy No DWS551

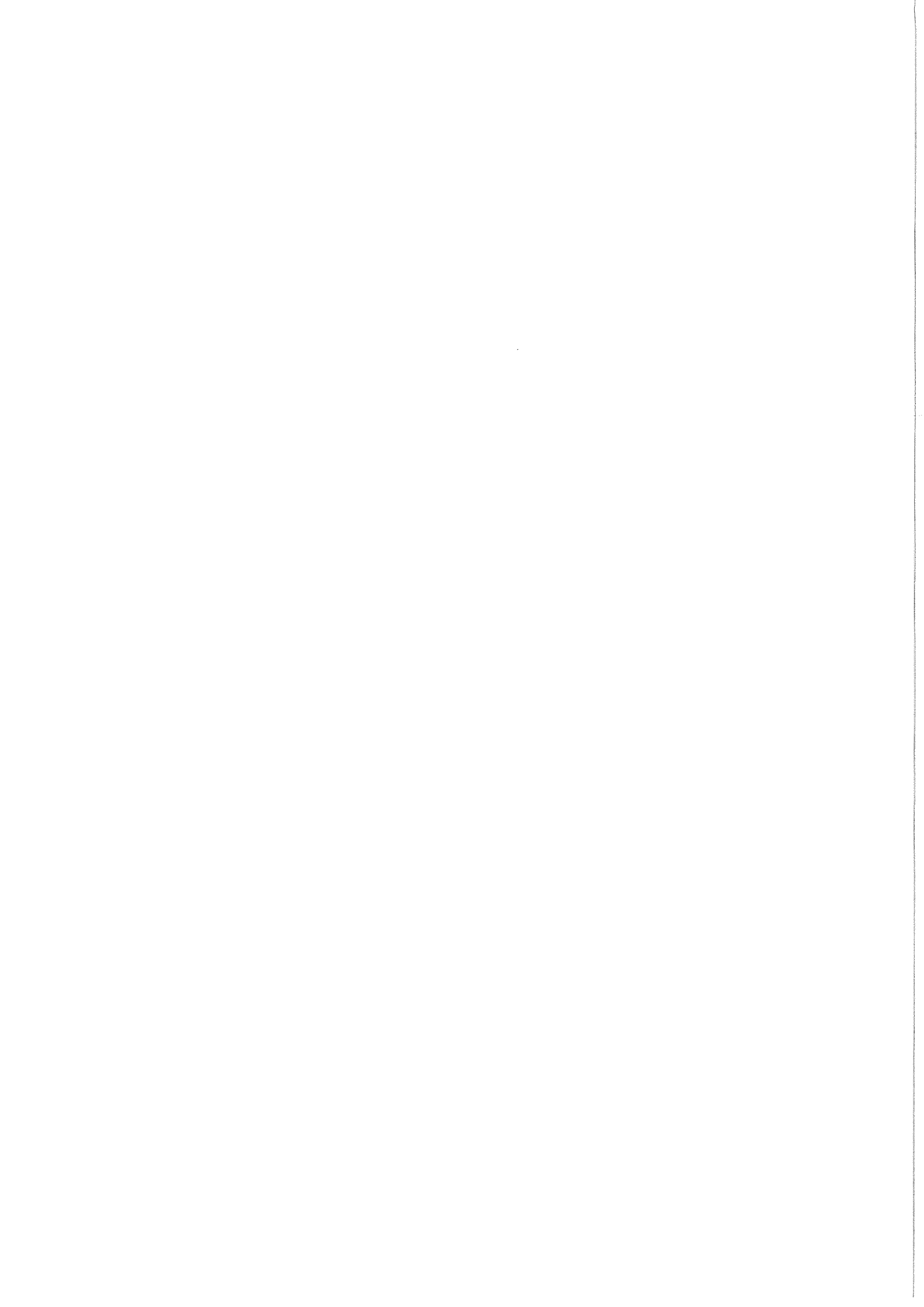
240 Model - Assy No DWS704

Item	Part No.	Description	Qty.	Remarks
1	42678	Top Link Assembly	4	
2				
3	DW821922	Scraper Bank	10	Qty x12 on 240 model
4	DW821926	Scraper Plate	38	Qty x46 on 240 model
5				
6	DWS552	Ø14" 100" Packer Roller	2	200 model
	DWS702	Ø14" 120" Packer Roller	2	240 model
	DWS1178/100	Ø16" 100" Packer Roller	2	200 model
	DWS1178/120	Ø16" 120" Packer Roller	2	240 model
7	DWS553	100"Scraper Bar	2	200 model
	DWS703	120"Scraper Bar	2	240 model
8	DWS554	LH Mounting	2	
9	DWS555	RH Mounting	2	
10	DWS556	RH Inner Support	1	
11	DWS557	LH Inner Support	1	(not shown)
12	DWS558	LH Arm	2	
13	DWS559	RH Arm	2	
14	DWS560	LH Roller Arm (for Ø14" packer roller)	2	
	DWS1179	LH Roller Arm (for Ø16" packer roller)	2	
15	DWS561	RH Roller Arm (for Ø14" packer roller)	2	
	DWS1180	RH Roller Arm (for Ø16" packer roller)	2	
16	DWS562	Adjuster Plate	4	
17	DWS563	Adjuster Spacer	12	
18	DWS564	End Scraper	2	
19	DWS565	Clamp Plate	10	
20	DWS566	Top Link Pin	8	
21	DWS567	Arm Pin	4	
22	DWS601	LH Inner Support	1	(not shown)
23	DWS602	RH Inner Support	1	
24	DWS715	End Plate	2	240 model prior to 2020 only
25				
26	GS412	1/8"BSP Straight Grease Nipple	8	
27				
28	DWS727	Bearing Assembly (see list at end)	4	
29				
30	DWS115	2mm Shim	2	
	DWS116	3mm Shim	2	
	DWS117	5mm Shim	2	
31				
32	DWS1037/100	Ø15" 100" Crumbler Roller	2	200 model
	DWS1037/120	Ø15" 120" Crumbler Roller	2	240 model
	DWS1064/120	Ø20" 120" Crumbler Roller	2	240 model
33	DWS1039/100	100"Spacer Bar	2	200 model
	DWS1039/120	120"Spacer Bar	2	240 model
34				
35				



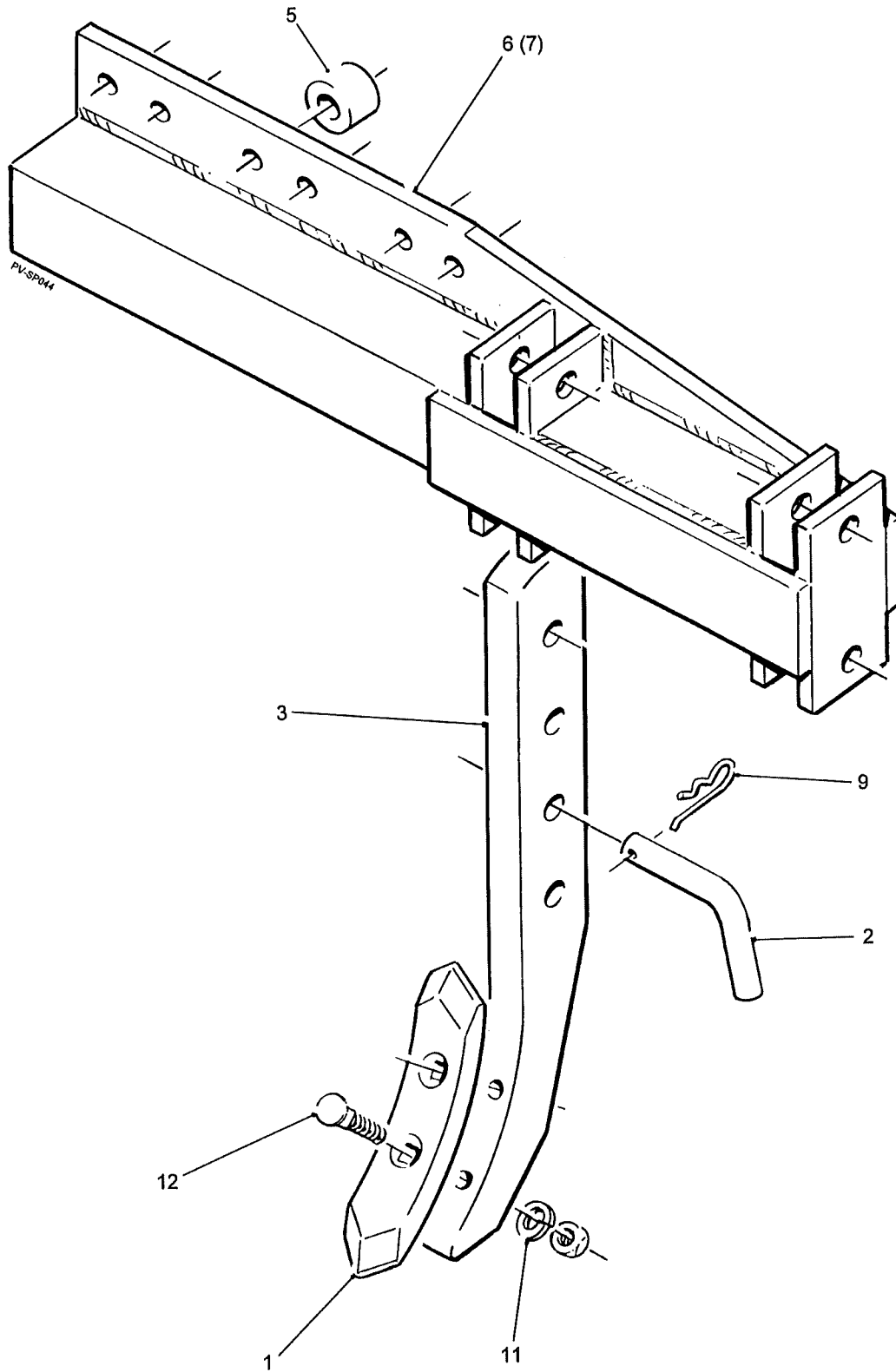
**POWAVATOR 400 SPARE PARTS****2.18b****Packer & Crumbler Roller Assemblies****200 Model - Assy No DWS551****240 Model - Assy No DWS704**

Item	Part No.	Description	Qty.	Remarks
36	DWS727	Bearing Assembly Consists Of:		
	3210E	Bearing	1	
37	46546	Seal (60x90x8)	2	
38	46564	Ø90 Internal Circlip	2	
39	DWS725	Hub	1	
40	DWS726	Spacer	2	
41	RPC648.061000	M6 Straight Grease Nipple	1	



**Eradicator Tine Assembly**  
Assy No DWS548

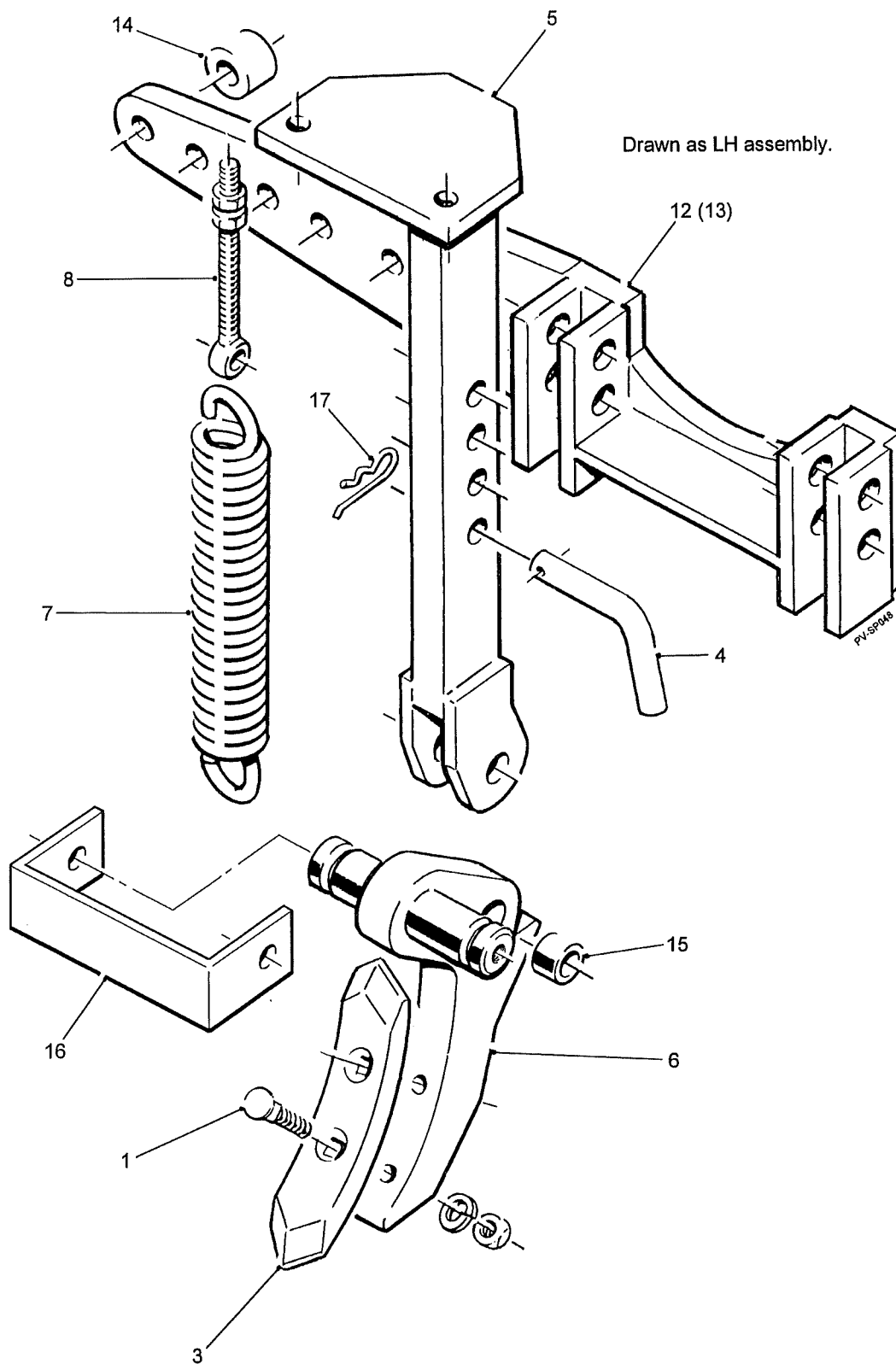
Drawn as LH assembly.



**2.19a****POWAVATOR 400 SPARE PARTS****Eradicator Tine Assembly****Assy No DWS548**

<b>Item</b>	<b>Part No.</b>	<b>Description</b>	<b>Qty.</b>	<b>Remarks</b>
1	DW820650	Point	4	
2	DW820841	Pin	4	
3	DW820902	Tine Leg	4	
4				
5	DWS621	Spacer	6	
6	DWS549	LH Tine Mounting	1	
7	DWS550	RH Tine Mounting	1	(not shown)
8				
9	H105A	R' Clip	4	
10				
11	108071245	7/16" Spring Washer	8	
12	208109430	7/16"UNFx55mm Plough Bolt c/w Nut	8	

Spring Loaded Eradicator Tine Assembly  
Assy No DWS622

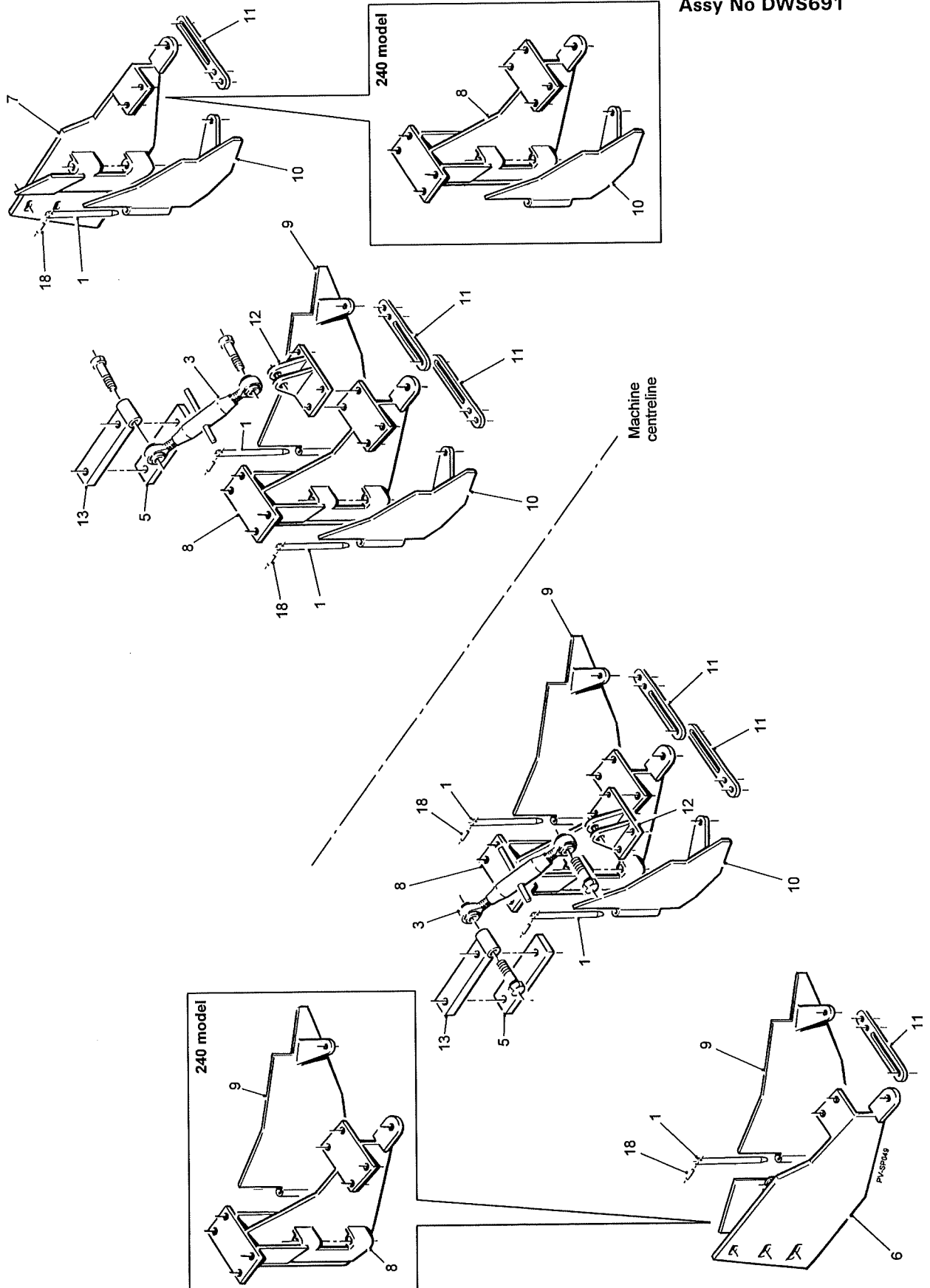


**2.20a****POWAVATOR 400 SPARE PARTS****Spring Loaded Eradicator Tine Assembly**

Assy No DWS622

Item	Part No.	Description	Qty.	Remarks
1	RPF106.112060	M12x60 Plough Bolt	8	Was DW208109170
2				
3	DW820650	Point	4	
4	DW820841	Pin	4	
5	DW821951	Leg	4	
6	DW821961	Foot	4	
7	DW821964	Tension Spring	8	
8	DW821965	Eyebolt c/w Nuts	8	
9				
10				
11				
12	DWS619	Mounting Bracket LH	1	
13	DWS620	Mounting Bracket RH	1	(not shown)
14	DWS621	Spacer	6	
15	DWS623	Bush	4	
16	DWS1525	Spring Retainer	4	Fitted from 2024
17				
18	H105A	R' Clip	8	

Bed Forming Kit  
Assy No DWS691



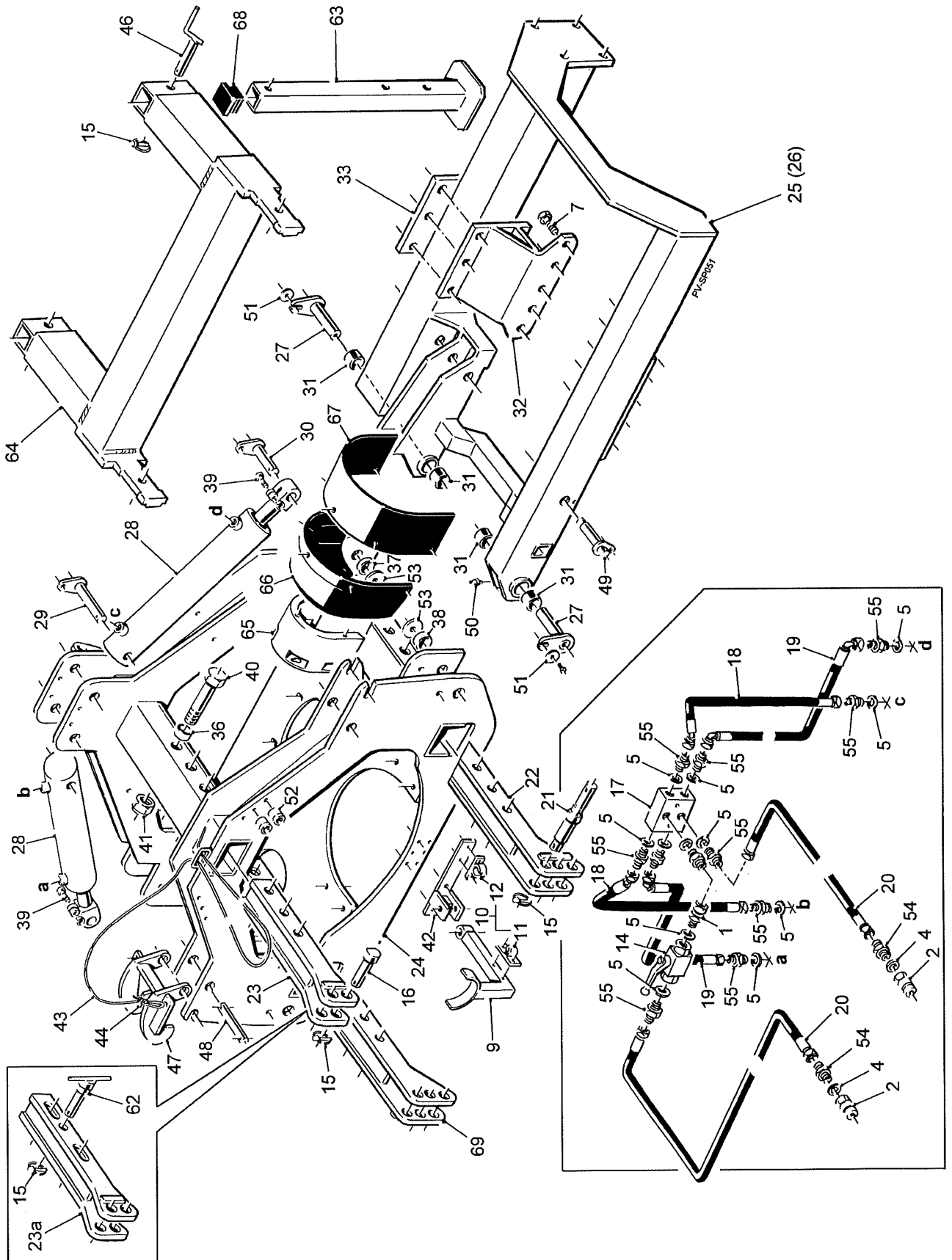
**2.21a****POWAVATOR 400 SPARE PARTS****Bed Forming Kit**

Assy No DWS691

Item	Part No.	Description	Qty.	Remarks
1	43650	Pivot Pin	6	
2				
3	54327	Top Link Assembly	2	
4				
5	DWS565	Clamp Plate	2	
6	DWS683	LH Mounting	1	
7	DWS684	RH Mounting	1	
8	DWS685	Centre Mounting	2	Qty. x4 on 240 model
9	DWS686	LH Wing	3	
10	DWS687	RH Wing	3	
11	DWS688	Link	6	
12	DWS689	Top Link Bracket	2	
13	DWS690	Top Link Mounting	2	
14				
15				
16				
17				
18	22067006/026	Ø6x26 Roll Pin	6	



Centre Frame and Hull Mountings  
(for 140 model)



## 2.22a

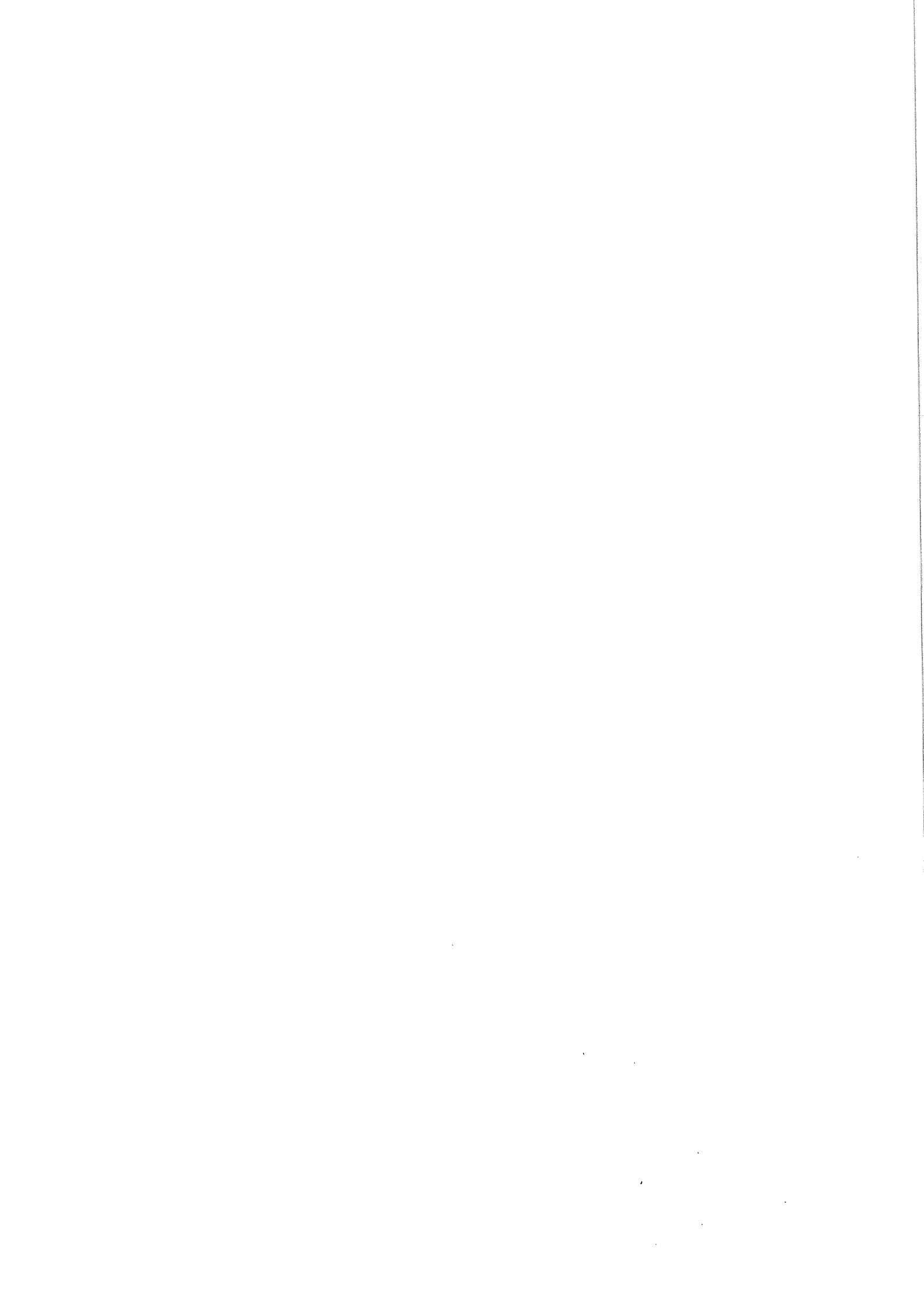
## POWAVATOR 400 SPARE PARTS

## Centre Frame and Hull Mountings (for 140 model)

Item	Part No.	Description	Qty.	Remarks
1	10128	3/8" BSP MF Swivel Adaptor	1	
2	10140	1/2" BSP Male Quick Release Coupling	2	
3				
4	11124	1/2" BSP Dowty Seal	2	
5	11125	3/8" BSP Dowty Seal	12	
6				
7	DW301320405	M20x40 Setscrew	12	
8				
9	45063	PTO Support	1	
10	45103	Retaining Clip Complete	1	
11	45103A	Male Clip	1	
12	45103B	Female Clip	1	
13				
14	DW202046270	2-Way Ball Valve	1	
15	DW50934	Clip Pin	10	
16	DWS599	Top Hitch Pin (CAT 3)	1	
17	DW801992	Junction Block	1	
18	DW802593	3/8" Hose Assembly (450mm)	2	
19	DW802596	3/8" Hose Assembly (1000mm)	2	
20	DW8100	3/8" Hose Assembly (2750mm)	2	
21	DWS535	Lower Link Pin	2	
22	DWS521	Lower Link Arm LH	1	Qty was x2
23	DWS522	Fixed Top Link Arm	1	
23a	DWS698	Floating Top Link Arm	1	For Packer roller & depth wheels
24	DWS518	Centre Frame	1	
25	DWS805	LH Wing	1	
26	DWS806	RH Wing	1	(not shown)
27	DWS167	Pivot Pin	4	
28	DWS817	Hydraulic Ram	2	
29	DWS542	Ram Pin	2	
30	DWS543	Ram Piston Pin	2	
31	DWS171	Nylon Bush	8	
32	DWS523	Rear Hull Mounting	2	
33	DWS524	Rear Hull Mounting Clamp Plate	2	
34				
35				
36	DWS527	Spacer	6	
37	DWS544	Spacer (13mm)	2	
38	DWS545	Spacer (18mm)	2	
39	22107010/050	M10x50 Hex Head Bolt c/w Nut	2	
40	22012030/200	M30X200 Hex Head Bolt	6	
41	22041030	M30 Nyloc Nut	6	
42	DWS301	PTO Support Mounting	1	
43	DWS573/5.3	Latch Cord	5.3m	
44	DWS486	Clamp	2	
45				
46	DWS597	Stand Pin	2	
47	DWS361	Latch	2	
48	DWS362	Latch Pin	2	
49	DWS363	Retaining Pin	2	
50	GS412	1/8" BSP Straight Grease Nipple	8	
51	SS040014/005	Steel Spacer	4	
52	KA17316	1/2" Hose Anchor	2	
53	SS060018/005	Steel Spacer	4	
54	UC25	1/2" BSP x 3/8" BSP M M Adaptor	2	

**POWAVATOR 400 SPARE PARTS****2.22b****Centre Frame and Hull Mountings (for 140 model)**

<b>Item</b>	<b>Part No.</b>	<b>Description</b>	<b>Qty.</b>	<b>Remarks</b>
55	UC31A	3/8"BSP M M Adaptor	11	
56				
57				
58				
59				
60				
61				
62	DWS699	Floating Top Link Pin	1	
63	DWS813	Stand	2	
64	DWS804	Centre Ridger Frame	1	
65	DWS868	Guard Spacer	2	
66	DWS869	Guard	2	
67	DWS870	Guard Rubber Flap	2	
68	DWS871	Plastic Insert (70mm x70mm)	2	
69	DWS701	Lower Link Arm RH	1	





## 2.22a

## POWAVATOR 400 SPARE PARTS

Machines from 2015

## Centre Frame and Hull Mountings (for 140 model)

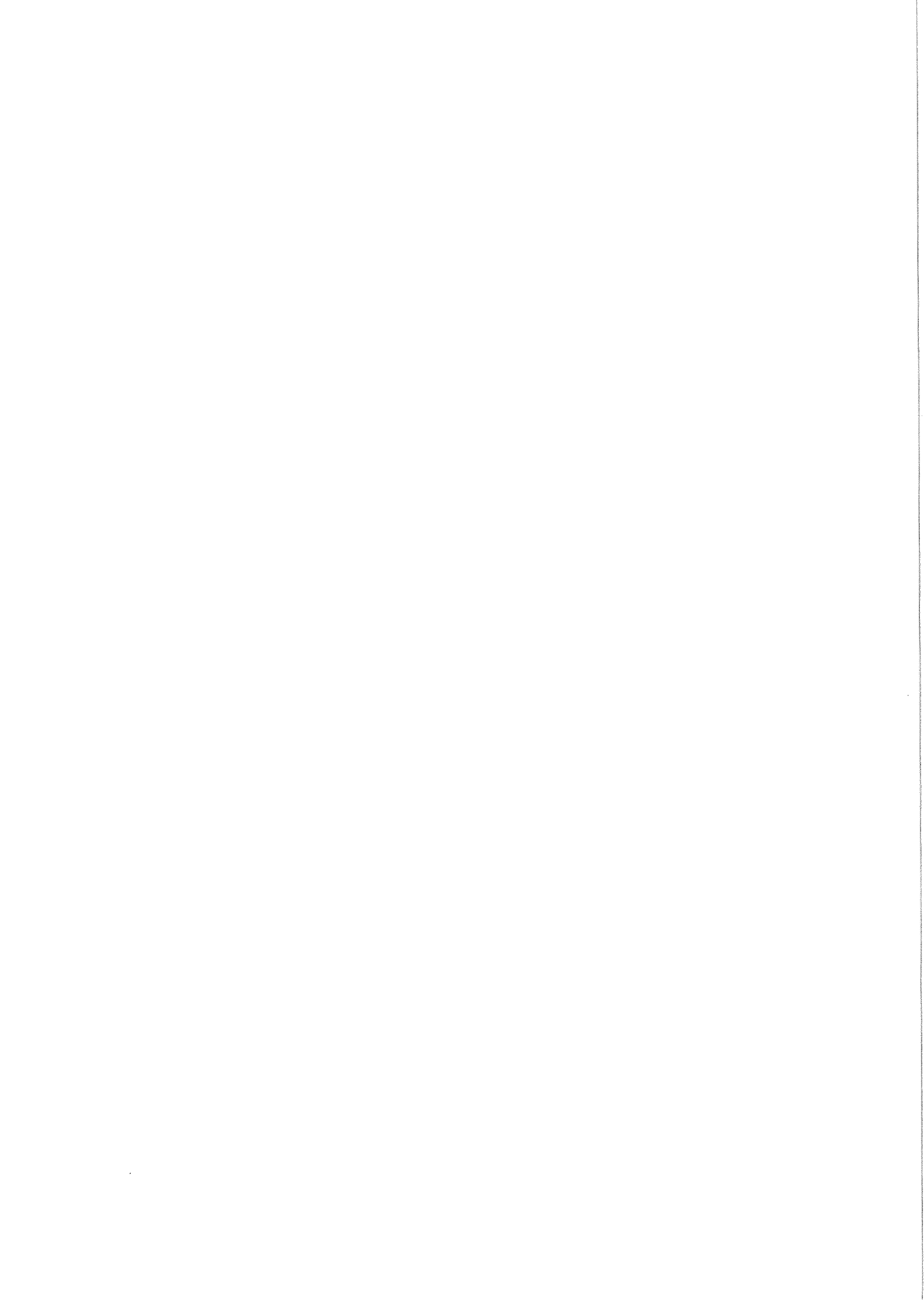
Item	Part No.	Description	Qty.	Remarks
1	10128	3/8"BSP MF Swivel Adaptor	1	
2	10140	1/2"BSP Male Quick Release Coupling	2	
3				
4	11124	1/2"BSP Dowty Seal	2	
5	11125	3/8"BSP Dowty Seal	8	Prior to 2016 Qty x12
6				
7	DW301320405	M20x40 Setscrew	12	
8				
9	45063	PTO Support	1	
10	45103	Retaining Clip Complete	1	
11	45103A	Male Clip	1	
12	45103B	Female Clip	1	
13				
14	DW202046270	2-Way Ball Valve	1	
15	DW50934	Clip Pin	10	
16	DWS599	Top Hitch Pin (CAT 3)	1	
17	DW801992	Junction Block	1	
18	DW802593	3/8"Hose Assembly (450mm)	4	
19				
20	DW802591	3/8"Hose Assembly (2000mm)	2	Supersedes DW8100
21	DWS535	Lower Link Pin	2	
22	DWS521	Lower Link Arm LH	1	
23	DWS522	Fixed Top Link Arm	1	
23a	DWS522B	Floating Top Link Arm	1	For Packer roller & depth wheels
24	DWS518	Centre Frame	1	
25	DWS805	LH Wing	1	
26	DWS806	RH Wing	1	(not shown)
27	DWS167	Pivot Pin	4	
28	DWS817	Hydraulic Ram	2	
29	DWS542	Ram Pin	2	
30	DWS543	Ram Piston Pin	2	
31	DWS171	Nylon Bush	8	
32	DWS523	Rear Hull Mounting	2	
33	DWS524	Rear Hull Mounting Clamp Plate	2	
34				
35				
36	DWS527	Spacer	6	
37	DWS544	Spacer (13mm)	2	
38	DWS545	Spacer (18mm)	2	
39	22107010/050	M10x50 Hex Head Bolt c/w Nut	2	
40	22012030/200	M30X200 Hex Head Bolt	6	
41	22041030	M30 Nyloc Nut	6	
42	DWS301	PTO Support Mounting	1	
43	DWS573/5.3	Latch Cord	5.3m	
44	DWS1287	Ø6 Clamp	2	Ø4 Clamp was DWS486
45				
46	DWS597	Stand Pin	2	
47	DWS361	Latch	2	
48	DWS362	Latch Pin	2	
49	DWS363	Retaining Pin	2	
50	GS412	1/8"BSP Straight Grease Nipple	8	
51	SS040014/005	Steel Spacer	4	
52	KA17316	1/2"Hose Anchor	2	
53	SS060018/005	Steel Spacer	4	
54	UC25	1/2"BSPx3/8"BSP M M Adaptor	2	

**POWAVATOR 400 SPARE PARTS****2.22b**

Machines from 2015

**Centre Frame and Hull Mountings (for 140 model)**

Item	Part No.	Description	Qty.	Remarks
55	UC31A	3/8"BSP M M Adaptor	7	Prior to 2016 Qty x11
56				
57				
58				
59				
60				
61				
62				
63	DWS813	Stand	2	
64	DWS804	Centre Ridger Frame	1	
65	DWS868	Guard Spacer	2	
66	DWS869	Guard	2	
67	DWS870	Guard Rubber Flap	2	
68	DWS871	Plastic Insert (70mm x70mm)	2	
69	DWS701	Lower Link Arm RH	1	
70	DWS1134	3/8"BSP Over-centre Valve Kit	2	
71				
72	22121020	M20 Nordlock Washer	16	
73				
74	11336	1/4"BSPx3/8"BSP M M Adaptor	4	
75	11337	1/4"BSP Dowty Seal	4	
76				
77				
78				
79	DWS1278	Dirt Shield	1	







## 2.22a

## POWAVATOR 400 SPARE PARTS

Machines from Serial No PV400200-965

## Centre Frame and Hull Mountings (for 140 model)

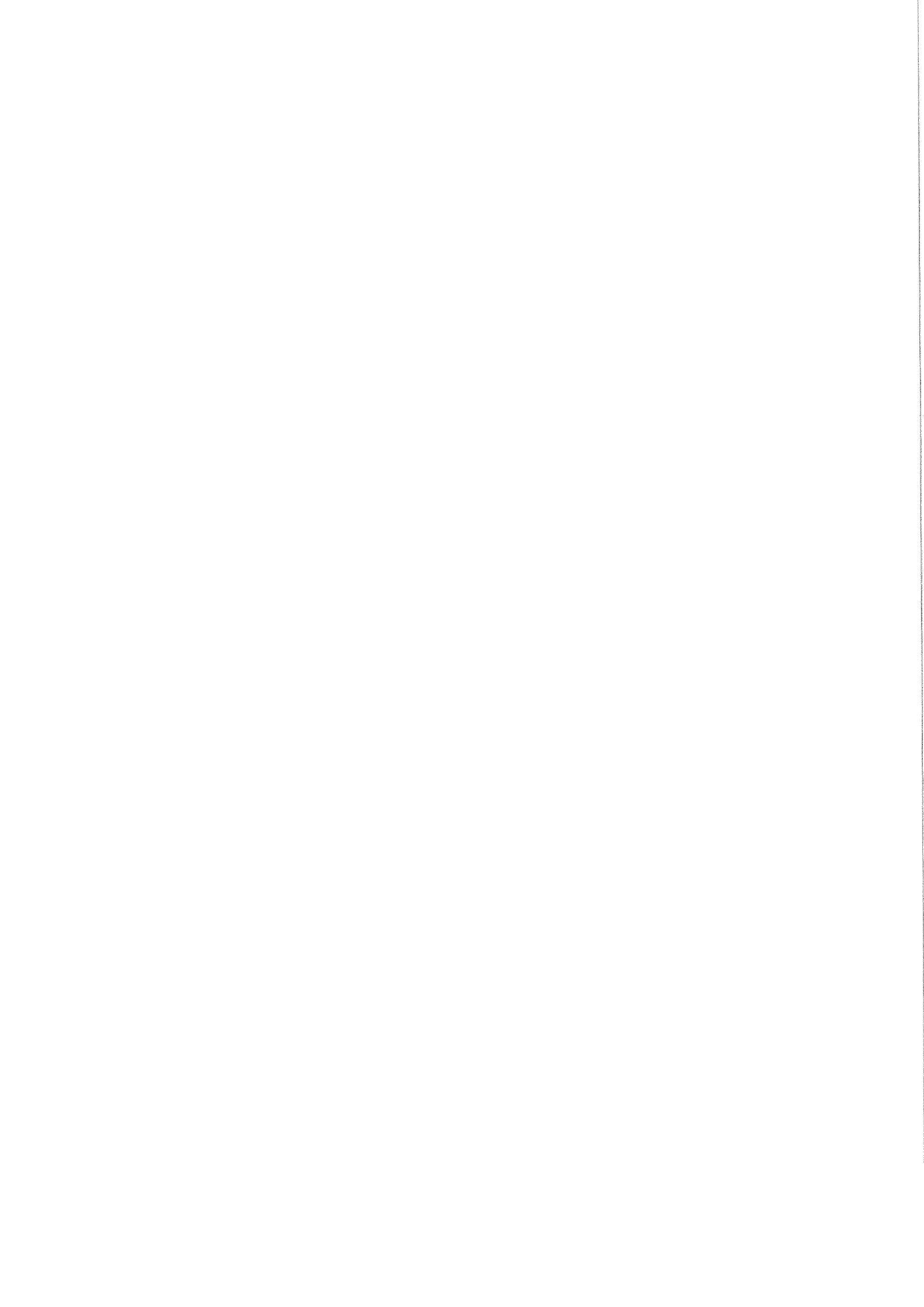
Item	Part No.	Description	Qty.	Remarks
1	10128	3/8"BSP MF Swivel Adaptor	2	
2	10140	1/2"BSP Male Quick Release Coupling	2	
3				
4	11124	1/2"BSP Dowty Seal	2	
5	11125	3/8"BSP Dowty Seal	12	
6				
7	DW301320405	M20x40 Setscrew	12	
8				
9	45063	PTO Support	1	
10	45103	Retaining Clip Complete	1	
11	45103A	Male Clip	1	
12	45103B	Female Clip	1	
13				
14	DW202046270	2-Way Ball Valve	1	
15	DW50934	Clip Pin	10	
16	DWS599	Top Hitch Pin (CAT 3)	1	
17	DW801992	Junction Block	1	
18	DW802593	3/8"Hose Assembly (450mm)	4	
19				
20	DW802591	3/8"Hose Assembly (2000mm)	2	
21	DWS535	Lower Link Pin	2	
22	DWS521	Lower Link Arm LH	1	
23	DWS522	Fixed Top Link Arm	1	
23a	DWS522B	Floating Top Link Arm	1	For Packer roller & depth wheels
24	DWS518	Centre Frame	1	
25	DWS805	LH Wing	1	
26	DWS806	RH Wing	1	(not shown)
27	DWS167	Pivot Pin	4	
28	DWS817	Hydraulic Ram (c/w over-centre valve)	2	
29	DWS542	Ram Pin	2	
30	DWS543	Ram Piston Pin	2	
31	DWS171	Nylon Bush	8	
32	DWS523	Rear Hull Mounting	2	
33	DWS524	Rear Hull Mounting Clamp Plate	2	
34				
35				
36	DWS527	Spacer	6	
37	DWS544	Spacer (13mm)	2	
38	DWS545	Spacer (18mm)	2	
39	22107010/050	M10x50 Hex Head Bolt c/w Nut	2	
40	22012030/200	M30X200 Hex Head Bolt	6	
41	22041030	M30 Nyloc Nut	6	
42	DWS301	PTO Support Mounting	1	
43	DWS1363	Hydraulic Ram (spring-loaded)	2	
44				
45				
46	DWS597	Stand Pin	2	
47	DWS361A	Latch	2	
48	DWS362	Latch Pin	2	
49	DWS363	Retaining Pin	2	
50	GS412	1/8"BSP Straight Grease Nipple	8	
51	SS040014/005	Steel Spacer	4	
52	DWS1380A	Hose Carrier Plate	1	Was DWS1380
53	SS060018/005	Steel Spacer	4	
54	UC25	1/2"BSPx3/8"BSP M M Adaptor	2	

**POWAVATOR 400 SPARE PARTS****2.22b**

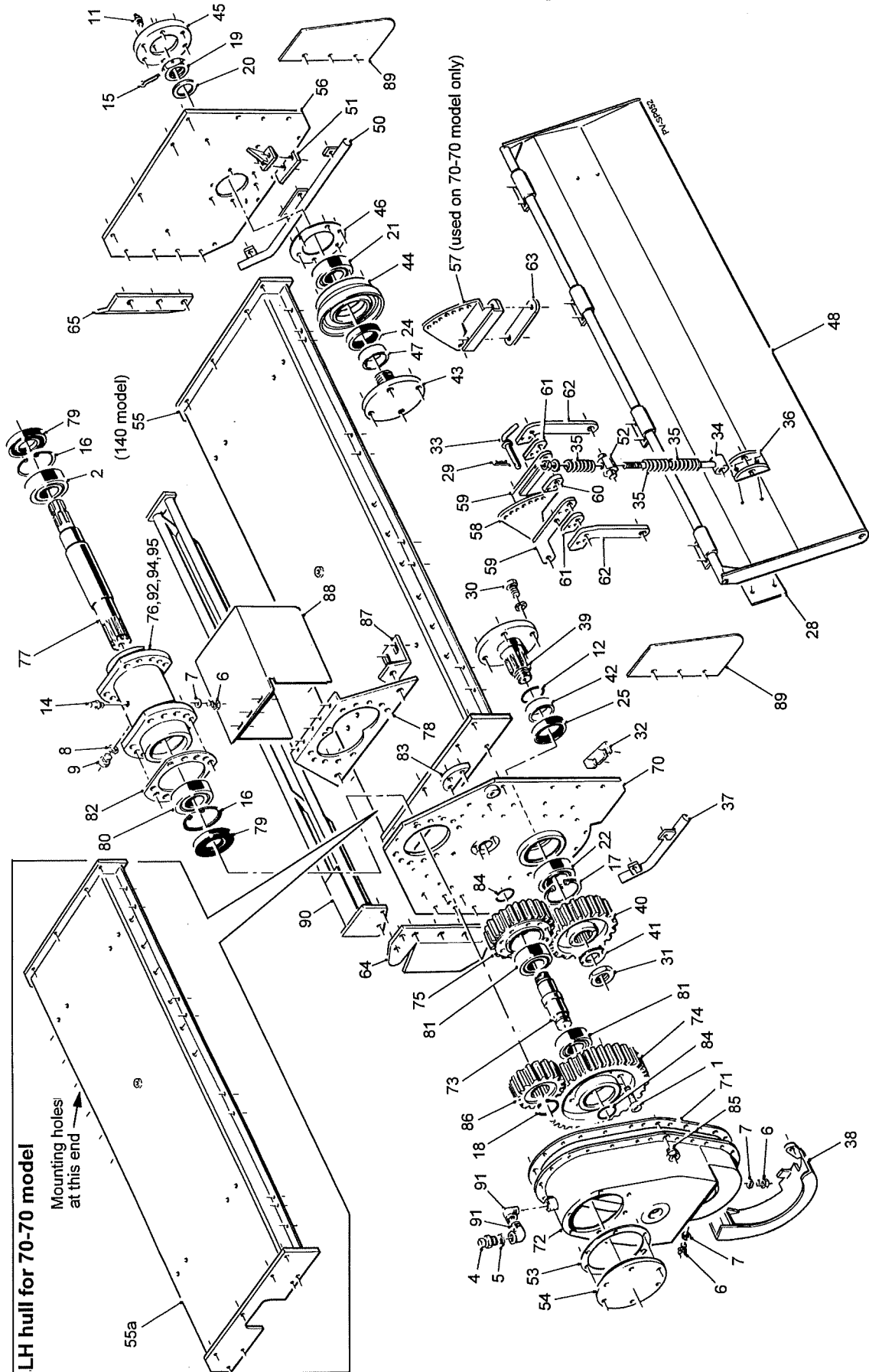
Machines from Serial No PV400200-965

**Centre Frame and Hull Mountings (for 140 model)**

Item	Part No.	Description	Qty.	Remarks
55	UC31A	3/8"BSP M M Adaptor	10	
56				
57				
58				
59				
60				
61				
62				
63	DWS813	Stand	2	
64	DWS804	Centre Ridger Frame	1	
65	DWS868	Guard Spacer	2	
66	DWS869	Guard	2	
67	DWS870	Guard Rubber Flap	2	
68	DWS871	Plastic Insert (70mm x70mm)	2	
69	DWS701	Lower Link Arm RH	1	
70				
71				
72	22121020	M20 Nordlock Washer	16	
73				
74				
75				
76				
77				
78				
79	DWS1278	Dirt Shield	1	
80				
81	12378	1/4"BSP M F Swept 90°Adaptor	2	
82				
83	13188	1/4"Hose Assembly (1000mm)	2	
84				
85	27894	1/4"BSPMx3/8"BSPF Swivel Adaptor	2	
86				
87	52246	3/8"BSP Male Cross	1	
88				
89	64957	Anchor Bracket	2	
90				
91	RPC676.302597	Tension Spring	2	
92	RPF128.110130	M10 Hook Bolt	2	



LH Hull Assembly (for 70-70 & 140 models)



## 2.23a

## POWAVATOR 400 SPARE PARTS

## LH Hull Assembly (for 70-70 &amp; 140 models)

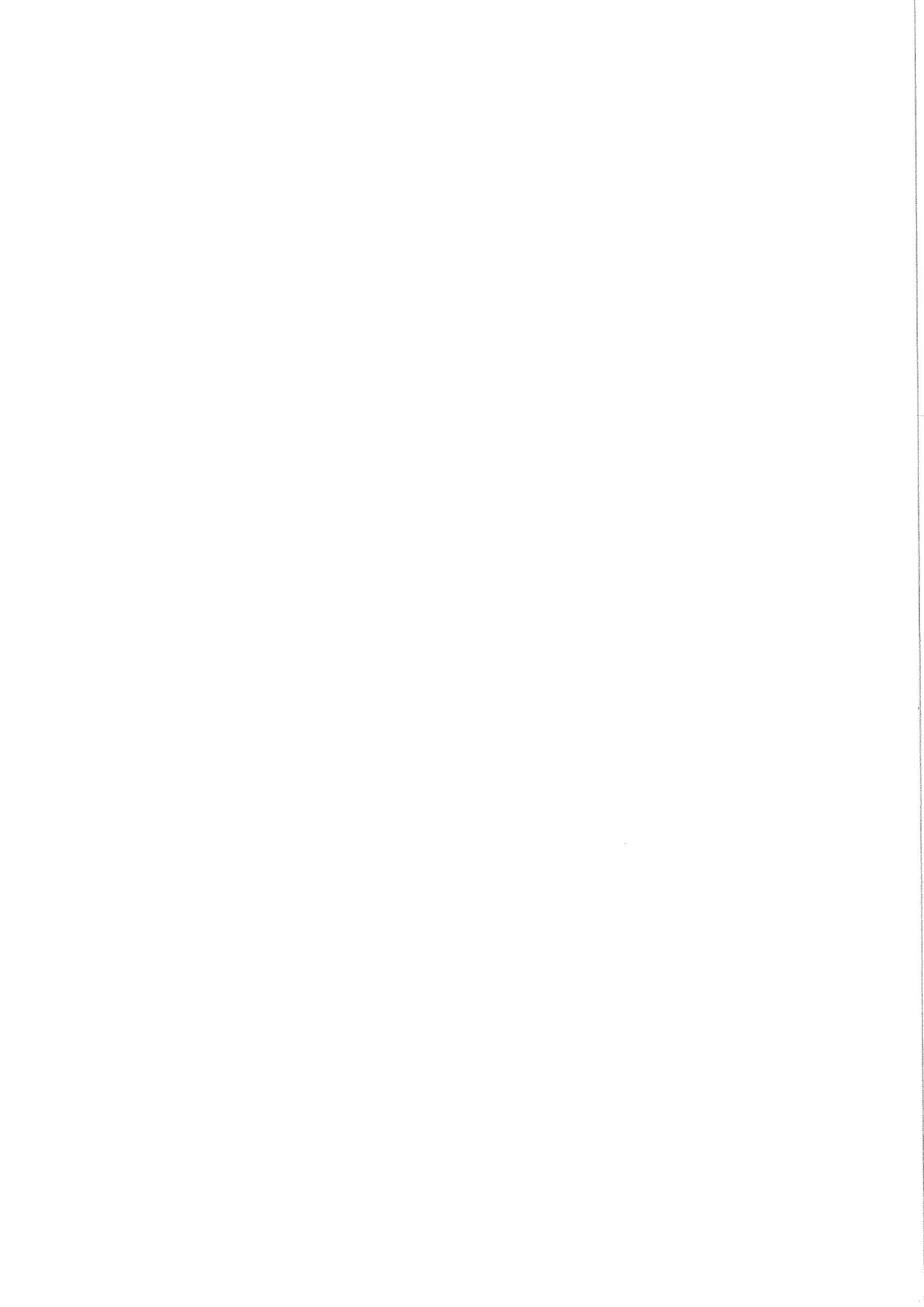
Item	Part No.	Description	Qty.	Remarks
1	22015012/060	M12x60mm Socket Head Cap Screw	10	
2	6313	Bearing	1	
3				
4	DWS538	3/4" BSP Breather	1	
5	11123	3/4" BSP Dowty Seal	1	
6	11292	1/8" BSP Blanking Plug	3	
7	11294	1/8" BSP Dowty Seal	3	
8	11337	1/4" BSP Dowty Seal	1	
9	11876/8	1/4" BSP Blanking Plug	1	
10				
11	DW202030580	1/4" UNF Grease Nipple	1	
12	DW202071150	O'Ring (Ø69.5x3mm)	1	
13				
14	DW203032010	1/8" BSP Breather	1	
15	DW208016760	Split Pin (Ø5x80mm)	1	
16	DW208101630	Internal Circlip (Ø140mm)	2	
17	DW208101650	Internal Circlip (Ø150mm)	1	
18	DW208102420	External Circlip (Ø63mm)	1	
19	DW208109300	M55 Special Locknut	1	
20	DW208109310	M55 Special Lock Washer	1	
21	DW256013311	Bearing	1	
22	DWS517	Bearing	1	
23				
24	DW261185131	Oil Seal (110x85x13mm)	1	
25	DW261185181	Oil Seal (110x85x18mm)	1	
26				
27				
28	DW650784	Backing Plate	2	
29	DW330237	R'Clip	2	Qty x1 on 140 model
30	DW331320350	M20x35mm Special Setscrew	8	
31	DW650018	Special Nut	1	
32	DW650076	Cutter Blade	1	
33	DW650113	Pin	2	Qty x1 on 140 model
34	DW650120	Spring Bar	2	Qty x1 on 140 model
35	DW650124	Spring	6	Qty x3 on 140 model
36	DW650125	Support Bracket	2	Qty x1 on 140 model
37	DW800380	LH Skid	1	
38	DW800382	LH Ground Skid	1	
39	DWS537	Rotor Drive Shaft	1	
40	DW800387	30T Gear	1	
41	DW800388	Tab Washer	1	
42	DW800389	Oil Seal Sleeve	1	
43	DW800412	Rotor Stub Shaft	1	
44	DW800413	Bearing Housing	1	
45	DW800414	Cover Plate	1	
46	DW800415	Gasket	1	
47	DW800416	Spacer	1	
48	DW801016	70" Trailing Board	1	
49				
50	DW800435	Skid	1	
51	DW800444	Cutter Blade	1	
52	DW801282	Trunnion	2	Qty x1 on 140 model
53	DW804190	Gear Cover Gasket	1	
54	DW804191	Gear Cover	1	

# POWAVATOR 400 SPARE PARTS

2.23b

## LH Hull Assembly (for 70-70 & 140 models)

Item	Part No.	Description	Qty.	Remarks
55	DWS807	70"Hull	1	140 model
55a	DWS808	70"Hull	1	70-70 model
56	DWS191	Side Plate	1	
57	DWS206	Spring Bracket	1	Used on 70-70 model only
58	DWS207	Spring Bracket	1	
59	DWS208	Pivot Arm	4	Qty x2 on 140 model
60	DWS209	Centre Spacer	2	Qty x1 on 140 model
61	DWS210	Side Spacer	4	Qty x2 on 140 model
62	DWS211	Trunnion Arm	4	Qty x2 on 140 model
63	DWS844	Bracket Clamp	2	Qty x1 on 140 model
64	DWS528	LH Wear Plate	1	
65	DWS214	RH Wear Plate	1	
66				
67				
68				
69				
70	DWS421	LH Gearcase Backplate	1	
71	DWS423	Gasket	1	
72	DWS424	Gearcase	1	
73	DWS425	Idler Shaft	1	
74	DWS426	40T Idler Gear	1	
75	DWS427	27T Idler Gear	1	
76	DWS428	Jackshaft Housing	1	
77	DWS429	Jackshaft	1	
78	DWS430	Jackshaft Support	1	
79	DWS431	Oil Seal (140x65x14mm)	2	
80	DWS432	Bearing	1	
81	DWS433	Bearing	2	
82	DWS434	Gasket	1	
83	DWS435	Idler Shaft Retainer	1	
84	DWS436	O'Ring (Ø37.69x3.53mm)	2	
85	DWS437	Spigot Nut	2	
86	DWS438	16T Jackshaft Gear	1	
	DWS439	20T Jackshaft Gear	1	
87	DWS477	Support Angle	2	
88	DWS480	Clutch Guard	1	
89	DWS481	Side Guard	2	
90	DWS811	Deep Bed LH Front Guard	1	140 model
	DWS533	Deep Bed LH Front Guard	1	70-70 model
91	DWS605	3/4"BSP 90°Elbow	2	
92	DWS503	M12 DUBO Retaining Ring	12	
93				
94	22041012	M12 Nyloc Nut	10	
95	22015012/045	M12 Cap Head Set Screw	10	







## 2.23a

## POWAVATOR 400 SPARE PARTS

Machines from 2015

## LH Hull Assembly (for 70-70 &amp; 140 models)

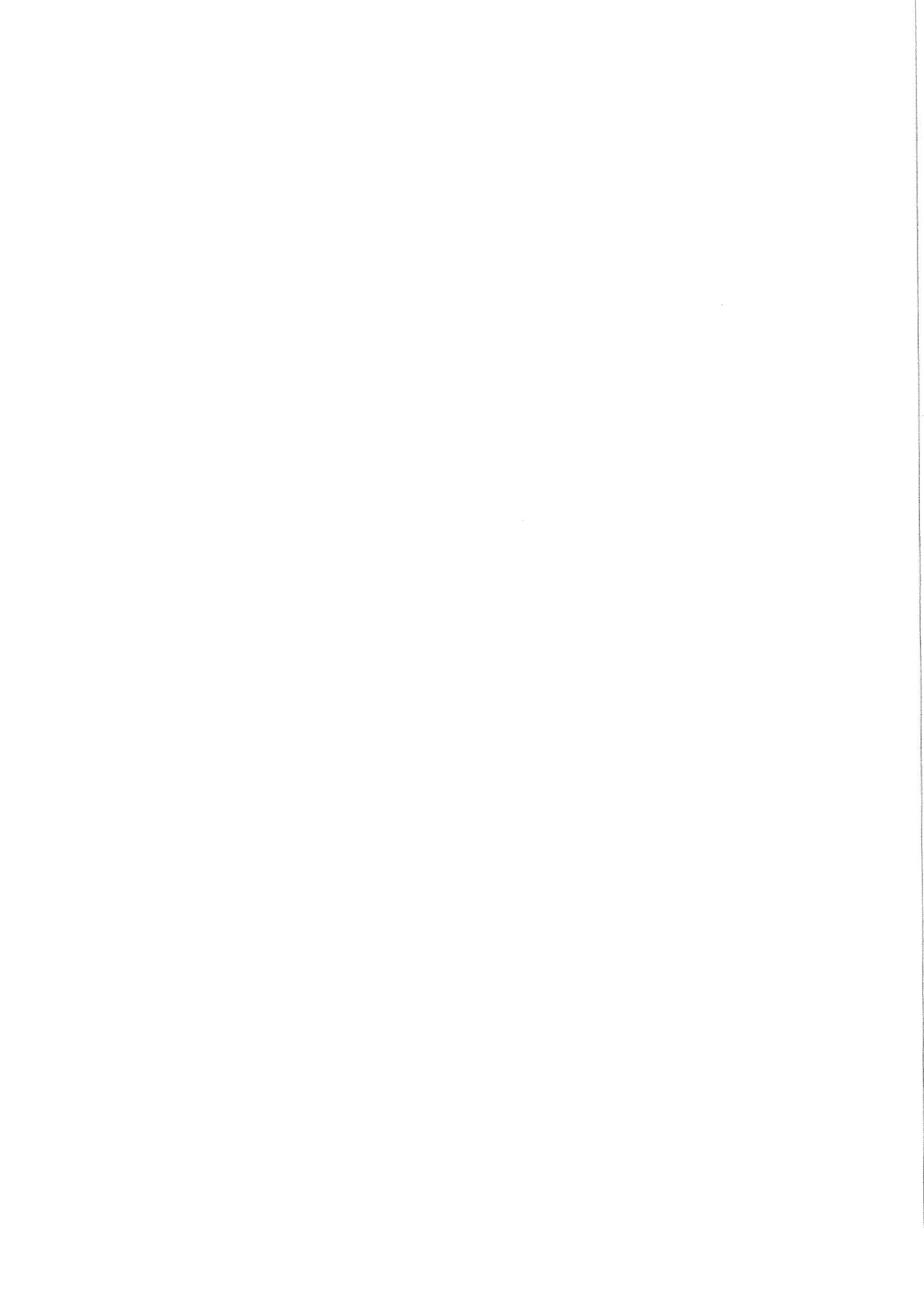
Item	Part No.	Description	Qty.	Remarks
1	22015012/060	M12x60mm Socket Head Cap Screw	10	
2	6313	Bearing	1	
3				
4	DWS538	3/4"BSP Breather	1	
5	11123	3/4"BSP Dowty Seal	1	
6	11876/8	1/4"BSP Blanking Plug	2	Was 11292 (1/8"BSP)
7	11337	1/4"BSP Dowty Seal	2	Was 11294 (1/8"BSP)
8	11125	3/8"BSP Dowty Seal	3	Prior to 2017 was 11337
9	11293	3/8"BSP Blanking Plug	2	Prior to 2017 was 11876/8
10				
11	DW202030580	1/4"UNF Grease Nipple	1	
12	DW202071150	O'Ring (Ø69.5x3mm)	1	
13				
14	42653	3/8"BSP Breather	1	Prior to 2017 was DW203032010
15	DW208016760	Split Pin (Ø5x80mm)	1	
16	DW208101630	Internal Circlip (Ø140mm)	3	Prior to 2017 Qty. x2
17	DW208101650	Internal Circlip (Ø150mm)	1	
18	DW208102420	External Circlip (Ø63mm)	1	
19	DW208109300	M55 Special Locknut	1	
20	DW208109310	M55 Special Lock Washer	1	
21	DW256013311	Bearing	1	
22	DWS517	Bearing	1	
23				
24	DW261185131	Oil Seal (110x85x13mm)	1	
25	DW261185181	Oil Seal (110x85x18mm)	1	
26	DW800499	Tab Washer	4	
27				
28	DW650784	Backing Plate	2	
29	DW330237	R'Clip	2	
30	DW331320350	M20x35mm Special Setscrew	8	
31	DW650018	Special Nut	1	
32	DW650076	Cutter Blade	1	Used prior to PV/-962 only
33	DW650113	Pin	2	
34	DW650120	Spring Bar	2	
35	DW650124	Spring	6	
36	DW650125	Support Bracket	2	
37	DW800380	LH Skid	1	
38	DWS1259	LH Ground Skid	1	Prior to 2019 was DWS1067
39	DWS537	Rotor Drive Shaft	1	
40	DW800387	30T Gear	1	
41	DW800388	Tab Washer	1	
42	DW800389	Oil Seal Sleeve	1	
43	DW800412	Rotor Stub Shaft	1	
44	DW800413	Bearing Housing	1	
45	DW800414	Cover Plate	1	
46	DW800415	Gasket	2	
47	DW800416	Spacer	1	
48	DW801016	70"Trailing Board	1	
49				
50	DW800435	Skid	1	
51	DW800444	Cutter Blade	1	Used prior to PV/-962 only
52	DW801282	Trunnion	2	
53	DW804190	Gear Cover Gasket	1	
54	DW804191	Gear Cover	1	

**POWAVATOR 400 SPARE PARTS****2.23b**

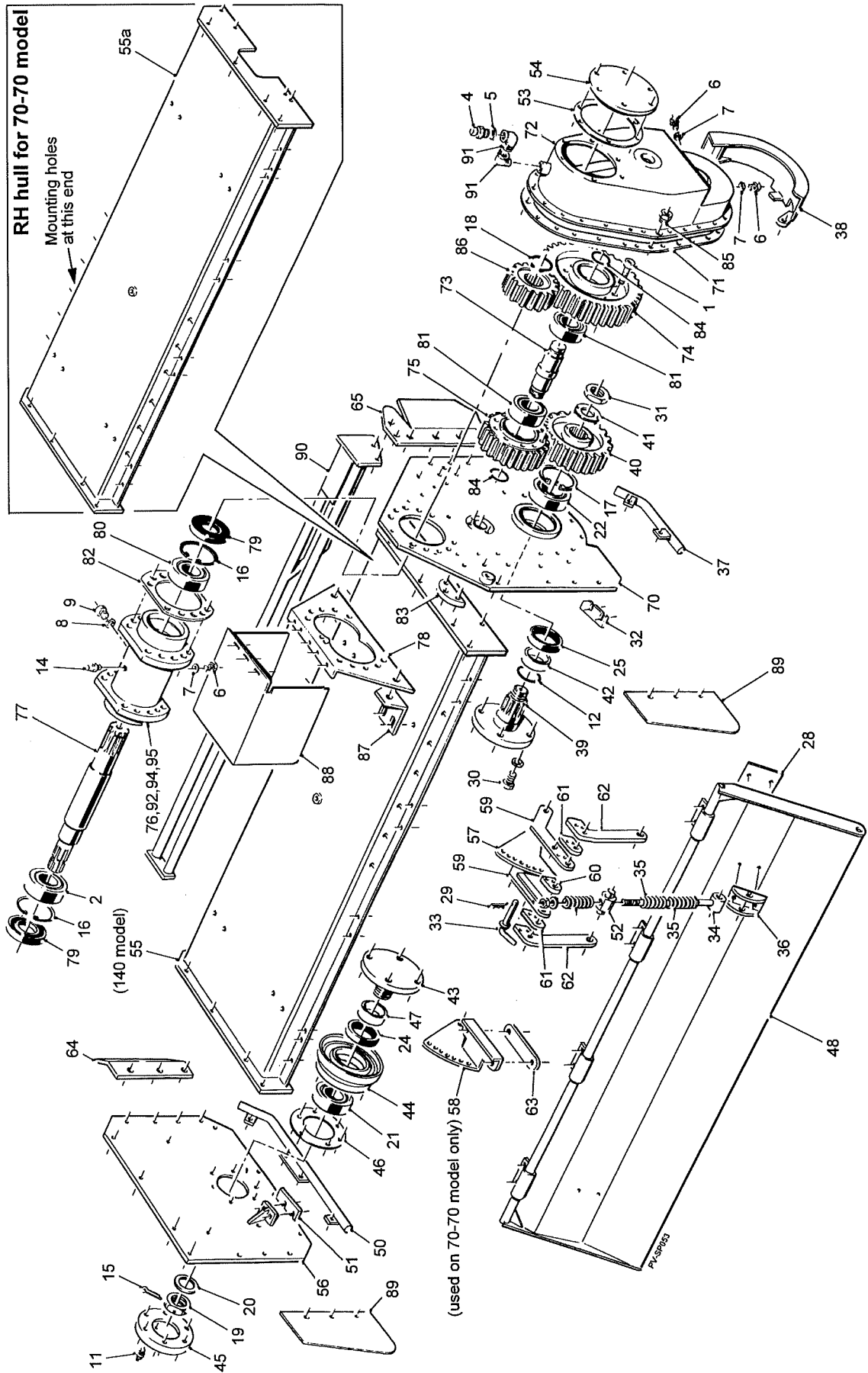
Machines from 2015

**LH Hull Assembly (for 70-70 & 140 models)**

Item	Part No.	Description	Qty.	Remarks
55	DWS807	70"Hull	1	140 model
55a	DWS808	70"Hull	1	70-70 model
56	DWS1384	Side Plate	1	Prior to PV/-962 was DWS191
57	DWS206	Spring Bracket	1	70-70 model
	DWS206A	Spring Bracket	1	140 model
58	DWS207	Spring Bracket	1	70-70 model
	DWS207A	Spring Bracket	1	140 model
59	DWS208	Pivot Arm	4	70-70 model
	DWS208A	Pivot Arm	2	140 model
60	DWS209	Centre Spacer	2	
61	DWS210	Side Spacer	4	
62	DWS211	Trunnion Arm	4	70-70 model
	DWS211A	Trunnion Arm	2	140 model
63	DWS844	Bracket Clamp	2	
64	DWS528	LH Wear Plate	1	
65	DWS214	RH Wear Plate	1	
66				
67				
68				
69				
70	DWS421A	LH Gearcase Backplate	1	Prior to PV/-962 was DWS421
71	DWS423	Gasket	1	
72	DWS424	Gearcase	1	
73	DWS425	Idler Shaft	1	
74	DWS426	40T Idler Gear	1	
75	DWS427	27T Idler Gear	1	
76	DWS428	Jackshaft Housing	1	
77	DWS429	Jackshaft	1	
78	DWS430	Jackshaft Support	1	
79	DWS431	Oil Seal (140x65x14mm)	2	
80	DWS432	Bearing	1	
81	DWS433	Bearing	2	
82	DWS434	Gasket	1	
83	DWS435	Idler Shaft Retainer	1	
84	DWS436	O'Ring (Ø37.69x3.53mm)	2	
85	DWS437	Spigot Nut	2	
86	DWS438	16T Jackshaft Gear	1	
	DWS439	20T Jackshaft Gear	1	
87	DWS477	Support Angle	2	
88	DWS480	Clutch Guard	1	
89	DWS481	Side Guard	2	
90	DWS811	Deep Bed LH Front Guard	1	140 model
	DWS533	Deep Bed LH Front Guard	1	70-70 model
91	DWS605	3/4" BSP 90° Elbow	2	
92	DWS503	M12 DUBO Retaining Ring	12	
93				
94	22041012	M12 Nyloc Nut	10	
95	22015012/045	M12 Cap Head Set Screw	10	



RH Hull Assembly (for 70-70 & 140 models)



## 2.24a

## POWAVATOR 400 SPARE PARTS

## RH Hull Assembly (for 70-70 &amp; 140 models)

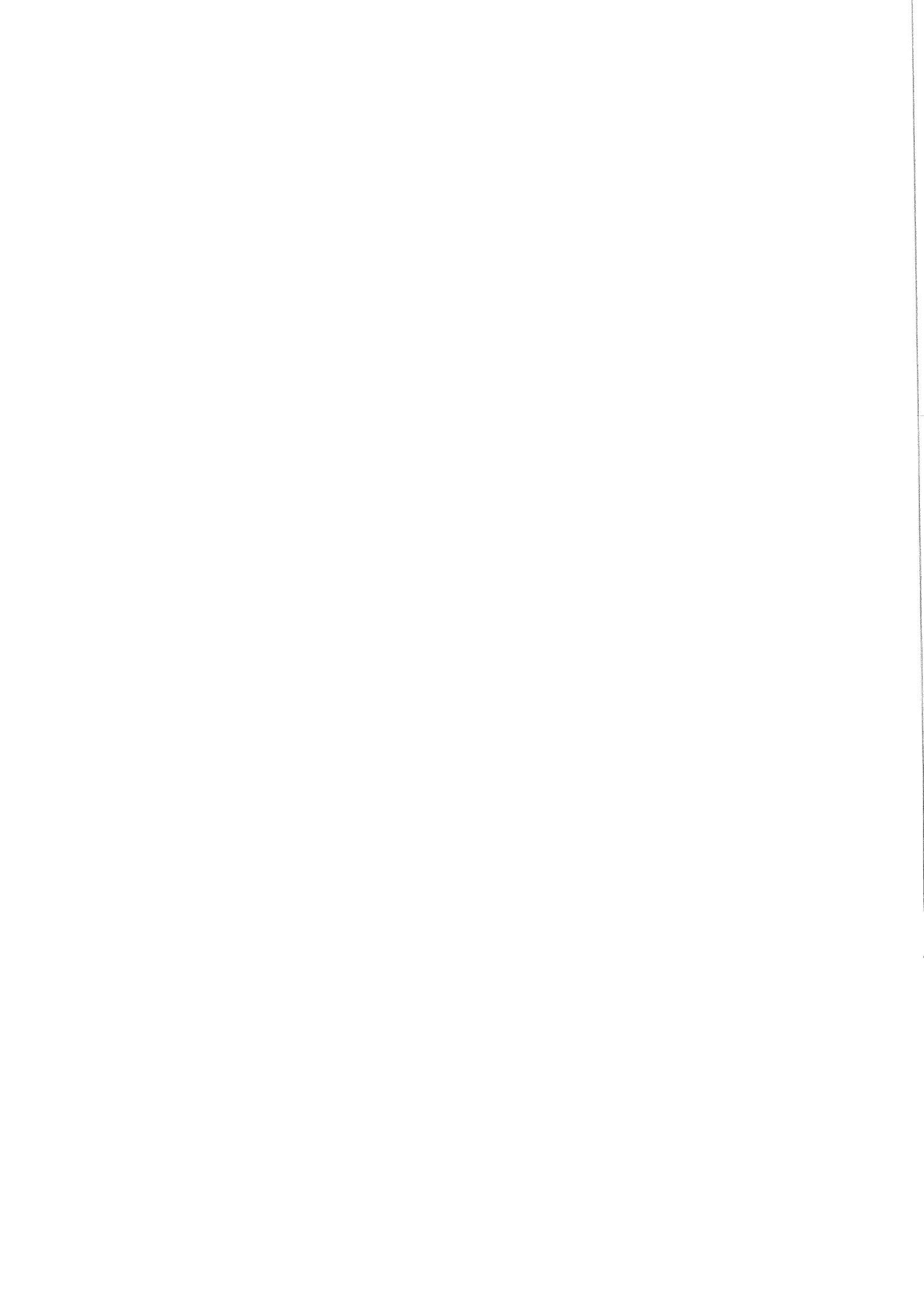
Item	Part No.	Description	Qty.	Remarks
1	22015012/060	M12x60mm Socket Head Cap Screw	10	
2	6313	Bearing	1	
3				
4	DWS538	3/4" BSP Breather	1	
5	11123	3/4" BSP Dowty Seal	1	
6	11292	1/8" BSP Blanking Plug	3	
7	11294	1/8" BSP Dowty Seal	3	
8	11337	1/4" BSP Dowty Seal	1	
9	11876/8	1/4" BSP Blanking Plug	1	
10				
11	DW202030580	1/4" UNF Grease Nipple	1	
12	DW202071150	O'Ring (Ø69.5x3mm)	1	
13				
14	DW203032010	1/8" BSP Breather	1	
15	DW208016760	Split Pin (Ø5x80mm)	1	
16	DW208101630	Internal Circlip (Ø140mm)	2	
17	DW208101650	Internal Circlip (Ø150mm)	1	
18	DW208102420	External Circlip (Ø63mm)	1	
19	DW208109300	M55 Special Locknut	1	
20	DW208109310	M55 Special Lock Washer	1	
21	DW256013311	Bearing	1	
22	DWS517	Bearing	1	
23				
24	DW261185131	Oil Seal (110x85x13mm)	1	
25	DW261185181	Oil Seal (110x85x18mm)	1	
26				
27				
28	DW650784	Backing Plate	2	
29	DW330237	R'Clip	2	Qty x1 on 140 model
30	DW331320350	M20x35mm Special Setscrew	8	
31	DW650018	Special Nut	1	
32	DW650076	Cutter Blade	1	
33	DW650113	Pin	2	Qty x1 on 140 model
34	DW650120	Spring Bar	2	Qty x1 on 140 model
35	DW650124	Spring	6	Qty x3 on 140 model
36	DW650125	Support Bracket	2	Qty x1 on 140 model
37	DWS196	RH Skid	1	
38	DWS194	RH Ground Skid	1	
39	DWS537	Rotor Drive Shaft	1	
40	DW800387	30T Gear	1	
41	DW800388	Tab Washer	1	
42	DW800389	Oil Seal Sleeve	1	
43	DW800412	Rotor Stub Shaft	1	
44	DW800413	Bearing Housing	1	
45	DW800414	Cover Plate	1	
46	DW800415	Gasket	1	
47	DW800416	Spacer	1	
48	DW801016	70" Trailing Board	1	
49				
50	DWS197	Skid	1	
51	DW800444	Cutter Blade	1	
52	DW801282	Trunnion	2	Qty x1 on 140 model
53	DW804190	Gear Cover Gasket	1	
54	DW804191	Gear Cover	1	

# POWAVATOR 400 SPARE PARTS

2.24b

## RH Hull Assembly (for 70-70 & 140 models)

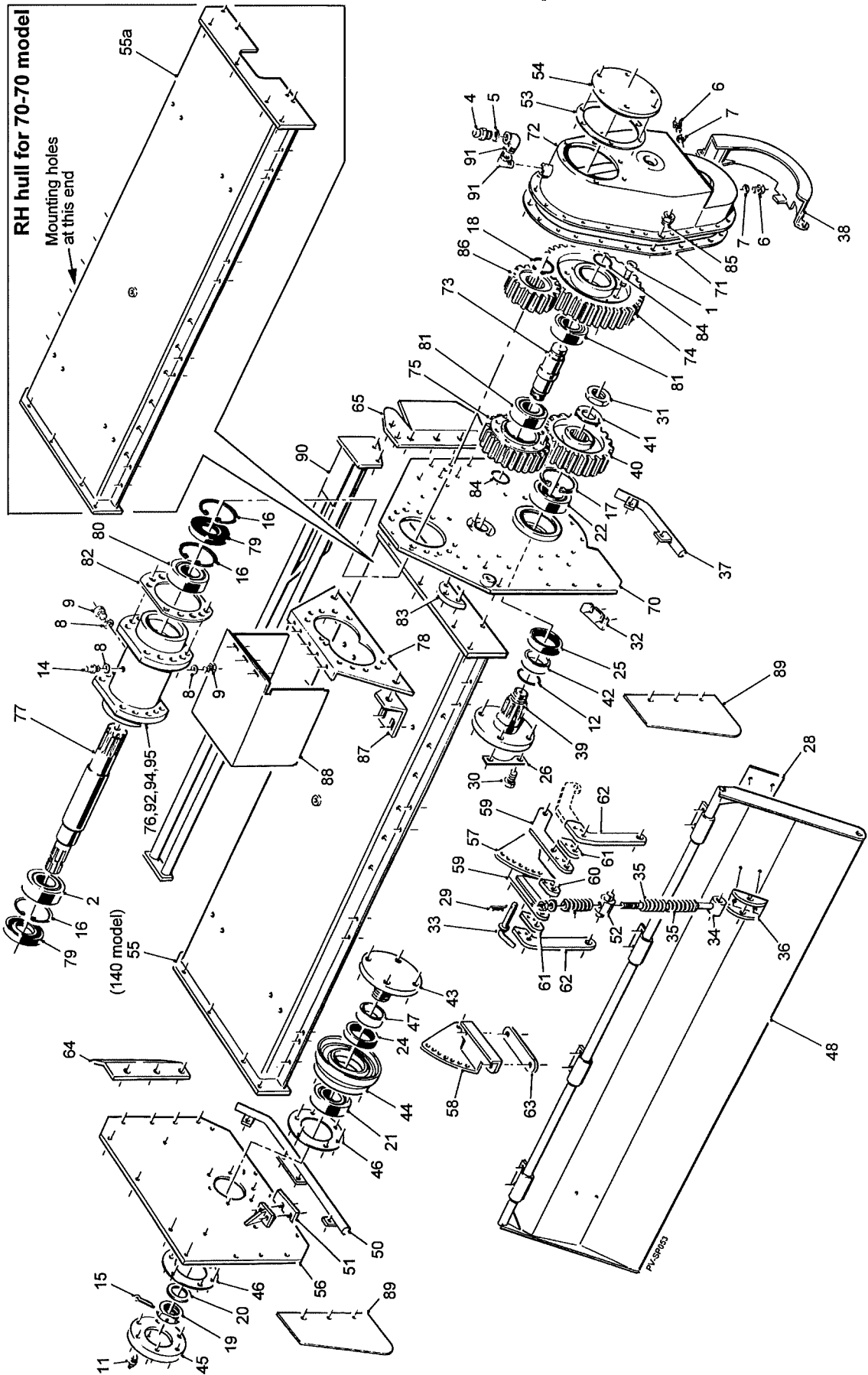
Item	Part No.	Description	Qty.	Remarks
55	DWS808	70"Hull	1	140 model
55a	DWS807	70"Hull	1	70-70 model
56	DWS192	Side Plate	1	
57	DWS206	Spring Bracket	1	
58	DWS207	Spring Bracket	1	Used on 70-70 model only
59	DWS208	Pivot Arm	4	Qty x2 on 140 model
60	DWS209	Centre Spacer	2	Qty x1 on 140 model
61	DWS210	Side Spacer	4	Qty x2 on 140 model
62	DWS211	Trunnion Arm	4	Qty x2 on 140 model
63	DWS844	Bracket Clamp	2	Qty x1 on 140 model
64	DWS213	LH Wear Plate	1	
65	DWS529	RH Wear Plate	1	
66				
67				
68				
69				
70	DWS422	RH Gearcase Backplate	1	
71	DWS423	Gasket	1	
72	DWS424	Gearcase	1	
73	DWS425	Idler Shaft	1	
74	DWS426	40T Idler Gear	1	
75	DWS427	27T Idler Gear	1	
76	DWS428	Jackshaft Housing	1	
77	DWS429	Jackshaft	1	
78	DWS430	Jackshaft Support	1	
79	DWS431	Oil Seal (140x65x14mm)	2	
80	DWS432	Bearing	1	
81	DWS433	Bearing	2	
82	DWS434	Gasket	1	
83	DWS435	Idler Shaft Retainer	1	
84	DWS436	O'Ring (Ø37.69x3.53mm)	2	
85	DWS437	Spigot Nut	2	
86	DWS438	16T Jackshaft Gear	1	
	DWS439	20T Jackshaft Gear	1	
87	DWS477	Support Angle	2	
88	DWS480	Clutch Guard	1	
89	DWS481	Side Guard	2	
90	DWS812	Deep Bed RH Front Guard	1	140 model
	DWS534	Deep Bed RH Front Guard	1	70-70 model
91	DWS605	3/4"BSP 90°Elbow	2	
92	DWS503	M12 DUBO Retaining Ring	12	
93				
94	22041012	M12 Nyloc Nut	10	
95	22015012/045	M12 Cap Head Set Screw	10	





Machines from 2015

## RH Hull Assembly (for 70-70 & 140 models)



## 2.24a

## POWAVATOR 400 SPARE PARTS

Machines from 2015

## RH Hull Assembly (for 70-70 &amp; 140 models)

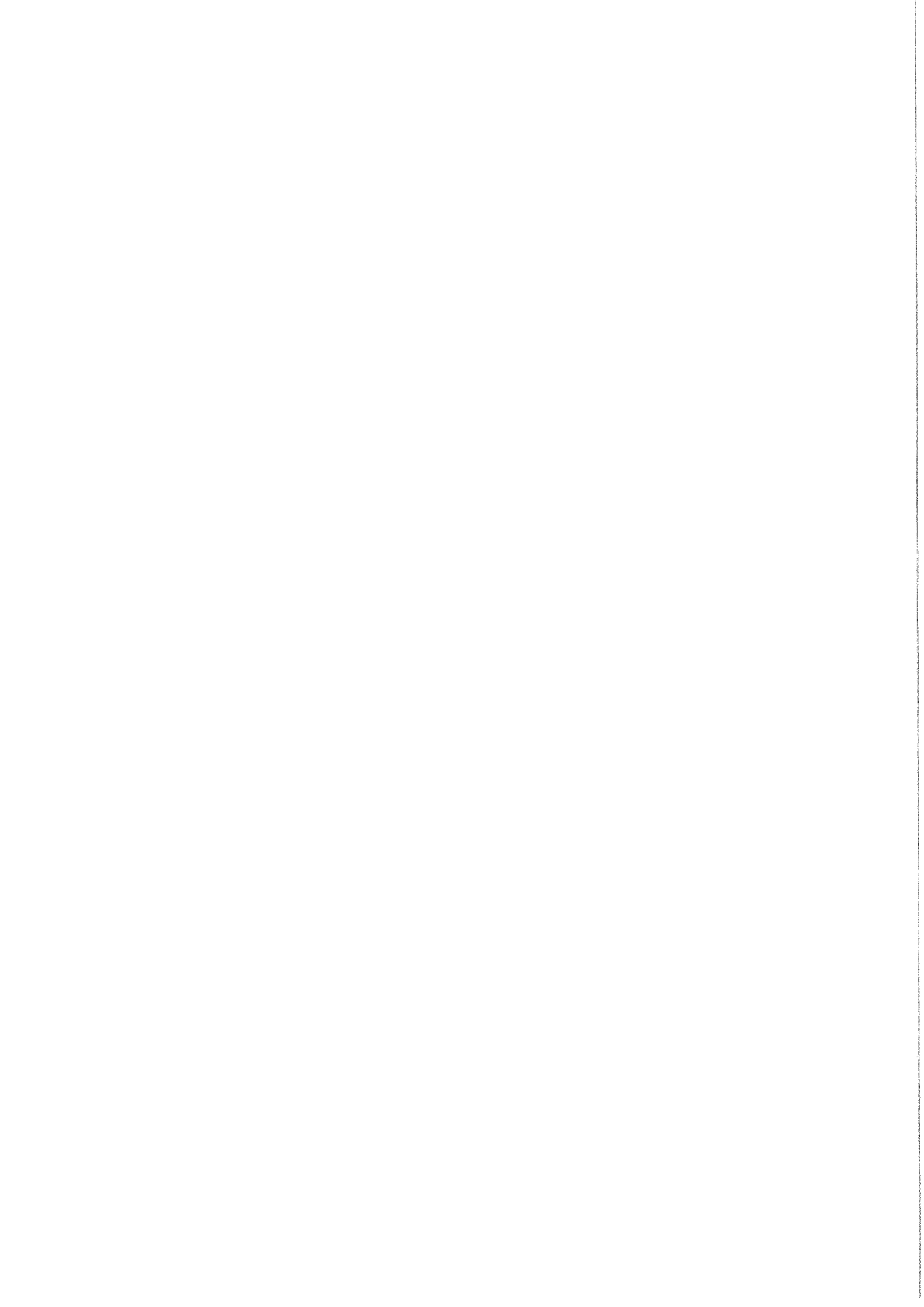
Item	Part No.	Description	Qty.	Remarks
1	22015012/060	M12x60mm Socket Head Cap Screw	10	
2	6313	Bearing	1	
3				
4	DWS538	3/4"BSP Breather	1	
5	11123	3/4"BSP Dowty Seal	1	
6	11876/8	1/4"BSP Blanking Plug	2	Was 11292 (1/8"BSP)
7	11337	1/4"BSP Dowty Seal	2	Was 11294 (1/8"BSP)
8	11125	3/8"BSP Dowty Seal	3	Prior to 2017 was 11337
9	11293	3/8"BSP Blanking Plug	2	Prior to 2017 was 11876/8
10				
11	DW202030580	1/4"UNF Grease Nipple	1	
12	DW202071150	O'Ring (Ø69.5x3mm)	1	
13				
14	42653	3/8"BSP Breather	1	Prior to 2017 was DW203032010
15	DW208016760	Split Pin (Ø5x80mm)	1	
16	DW208101630	Internal Circlip (Ø140mm)	3	Prior to 2017 Qty. x2
17	DW208101650	Internal Circlip (Ø150mm)	1	
18	DW208102420	External Circlip (Ø63mm)	1	
19	DW208109300	M55 Special Locknut	1	
20	DW208109310	M55 Special Lock Washer	1	
21	DW256013311	Bearing	1	
22	DWS517	Bearing	1	
23				
24	DW261185131	Oil Seal (110x85x13mm)	1	
25	DW261185181	Oil Seal (110x85x18mm)	1	
26	DW800499	Tab Washer	4	
27				
28	DW650784	Backing Plate	2	
29	DW330237	R'Clip	2	
30	DW331320350	M20x35mm Special Setscrew	8	
31	DW650018	Special Nut	1	
32	DW650076	Cutter Blade	1	Used prior to PV/-962 only
33	DW650113	Pin	2	
34	DW650120	Spring Bar	2	
35	DW650124	Spring	6	
36	DW650125	Support Bracket	2	
37	DWS196	RH Skid	1	
38	DWS1260	RH Ground Skid	1	Prior to 2019 was DWS194
39	DWS537	Rotor Drive Shaft	1	
40	DW800387	30T Gear	1	
41	DW800388	Tab Washer	1	
42	DW800389	Oil Seal Sleeve	1	
43	DW800412	Rotor Stub Shaft	1	
44	DW800413	Bearing Housing	1	
45	DW800414	Cover Plate	1	
46	DW800415	Gasket	2	
47	DW800416	Spacer	1	
48	DW801016	70"Trailing Board	1	
49				
50	DWS197	Skid	1	
51	DW800444	Cutter Blade	1	Used prior to PV/-962 only
52	DW801282	Trunnion	2	
53	DW804190	Gear Cover Gasket	1	
54	DW804191	Gear Cover	1	

**POWAVATOR 400 SPARE PARTS****2.24b**

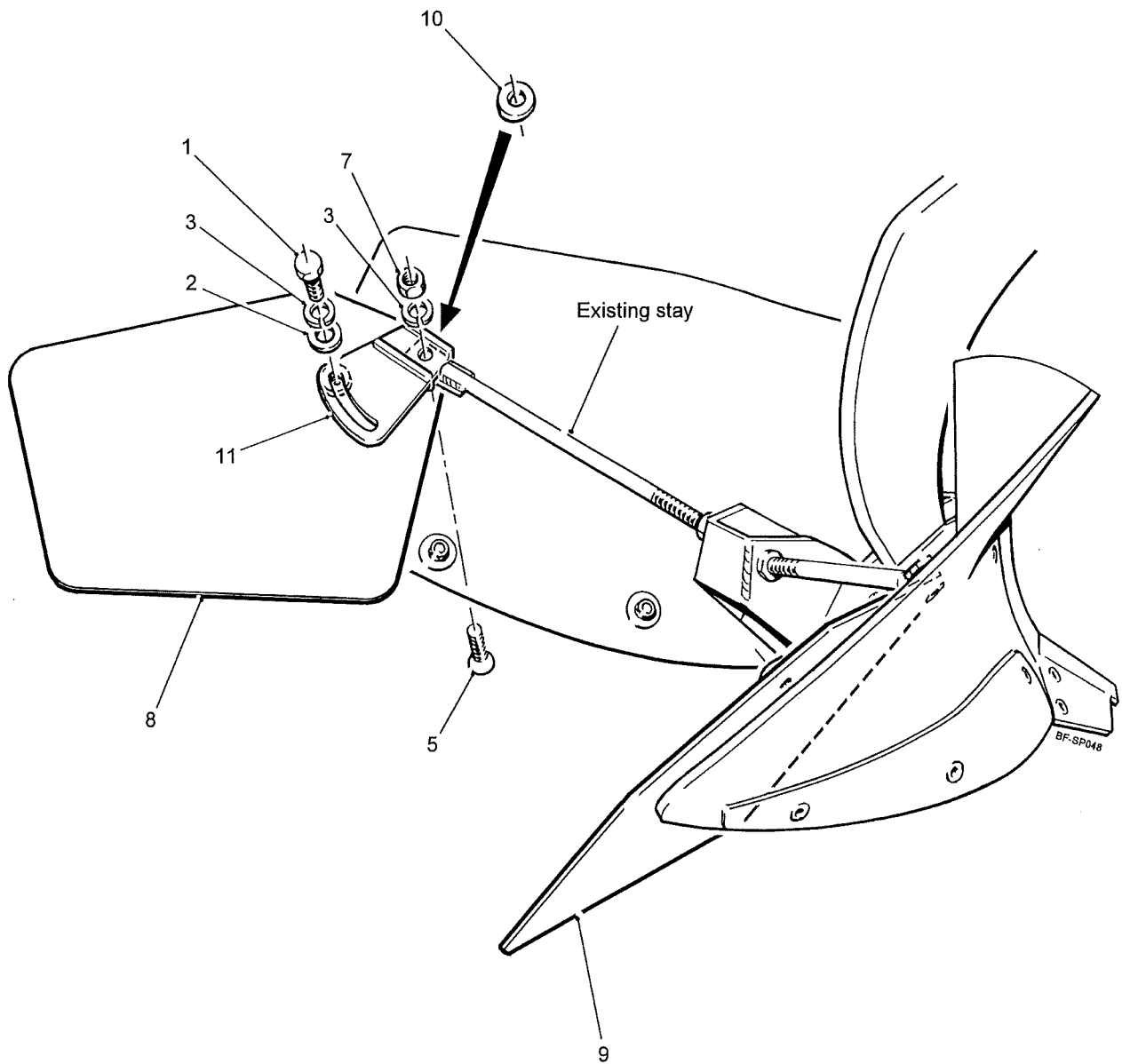
Machines from 2015

**RH Hull Assembly (for 70-70 & 140 models)**

Item	Part No.	Description	Qty.	Remarks
55	DWS808	70"Hull	1	140 model
55a	DWS807	70"Hull	1	70-70 model
56	DWS1384	Side Plate	1	Prior to PV/-962 was DWS192
57	DWS206	Spring Bracket	1	70-70 model
	DWS206A	Spring Bracket	1	140 model
58	DWS207	Spring Bracket	1	70-70 model
	DWS207A	Spring Bracket	1	140 model
59	DWS208	Pivot Arm	4	70-70 model
	DWS208A	Pivot Arm	4	140 model
60	DWS209	Centre Spacer	2	
61	DWS210	Side Spacer	4	
62	DWS211	Trunnion Arm	4	70-70 model
	DWS211A	Trunnion Arm	4	140 model
63	DWS844	Bracket Clamp	2	
64	DWS213	LH Wear Plate	1	
65	DWS529	RH Wear Plate	1	
66				
67				
68				
69				
70	DWS422A	RH Gearcase Backplate	1	Prior to PV/-962 was DWS422
71	DWS423	Gasket	1	
72	DWS424	Gearcase	1	
73	DWS425	Idler Shaft	1	
74	DWS426	40T Idler Gear	1	
75	DWS427	27T Idler Gear	1	
76	DWS428	Jackshaft Housing	1	
77	DWS429	Jackshaft	1	
78	DWS430	Jackshaft Support	1	
79	DWS431	Oil Seal (140x65x14mm)	2	
80	DWS432	Bearing	1	
81	DWS433	Bearing	2	
82	DWS434	Gasket	1	
83	DWS435	Idler Shaft Retainer	1	
84	DWS436	O'Ring (Ø37.69x3.53mm)	2	
85	DWS437	Spigot Nut	2	
86	DWS438	16T Jackshaft Gear	1	
	DWS439	20T Jackshaft Gear	1	
87	DWS477	Support Angle	2	
88	DWS480	Clutch Guard	1	
89	DWS481	Side Guard	2	
90	DWS812	Deep Bed RH Front Guard	1	140 model
	DWS534	Deep Bed RH Front Guard	1	70-70 model
91	DWS605	3/4"BSP 90°Elbow	2	
92	DWS503	M12 DUBO Retaining Ring	12	
93				
94	22041012	M12 Nyloc Nut	10	
95	22015012/045	M12 Cap Head Set Screw	10	



Convex Body Extension Kit  
Assy No DWS734



**2.25a****POWAVATOR 400 SPARE PARTS****Convex Body Extension Kit**

Assy No DWS734

Item	Part No.	Description	Qty.	
1	22011012/020	M12x20 Setscrew	2	
2	22046012C	M12 Flat Washer	2	
3	22052012	M12 Spring Washer	4	
4				
5	DW222008074	M12x45 Special CSK Nibbed Bolt	2	
6				
7	DWS113	M12 Whiz Lock Nut	2	
8	DWS731	LH Extension Plate	1	
9	DWS732	RH Extension Plate	1	
10	DWS751	Tapered Spacer	2	
11	DWS828	Adaptor Plate	2	



2.26a

## POWAVATOR 400 SPARE PARTS

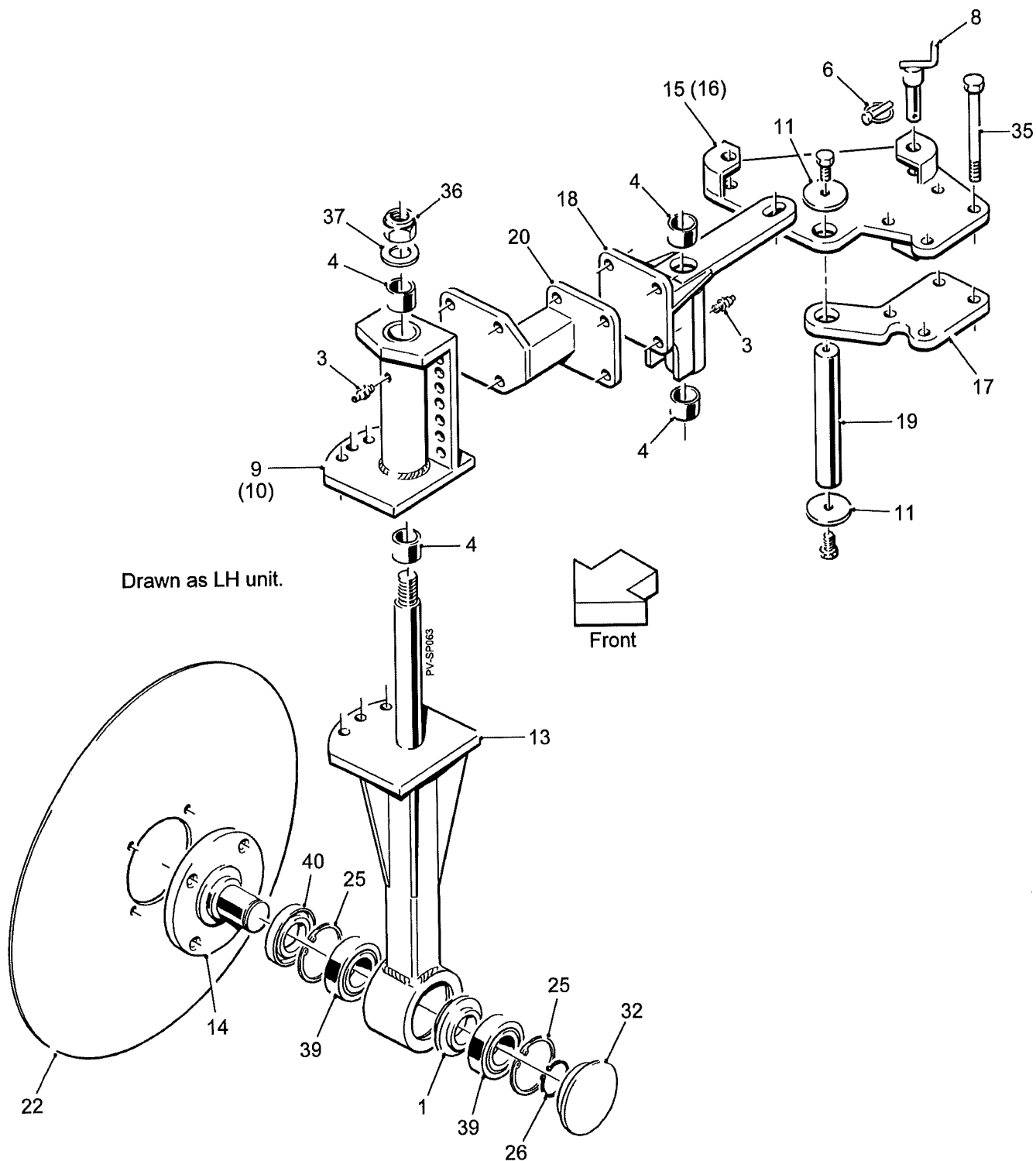
## Front Depth Control Wheels

Assy No DWS892

Item	Part No.	Description	Qty.	Remarks
1	DW202030870	M6 Straight Grease Nipple	4	
2				
3	22067008/050	Ø8x50 Roll Pin	2	
4	DW50934	Clip Pin	2	
5	DW209055880	Wheel Complete	2	(see list at end)
6	DW253034303	Bush	4	
7	DW254044300	Bush	4	
8	DW800647	Mounting Pin	2	
9	DW208007980	Top Link Complete	2	
10	DWS887	LH Bracket	1	
	DWS888	RH Bracket	1	(not shown)
11	DWS889	LH Upper Plate	1	
	DWS890	RH Upper Plate	1	(not shown)
12	DWS891	Lower Plate	2	
13	DWS718	RH Wheel Arm and Hub Complete	1	
	DWS717	LH Wheel Arm and Hub Complete	1	(not shown)
14	DW802845	RH Wheel Scraper	1	
	DW802846	LH Wheel Scraper	1	(not shown)
15	DW802847	Screw	4	
16	DW802848	Pivot Washer	4	
17	DW802849	Vertical Pin	2	
18	DW802850	Wheel Arm Pivot	2	
19	DWS723	Pin	4	
20	DWS962/1	Clamp Plate	2	Replaces U bolt DWS757 x4
21	DWS962	Adaptor Bracket	2	
22				
23				
24	22012016/055	M16x55 Bolt	4	
25				
26	22012020/220	M20x220 Bolt	8	
27	22041016	M16 Nyloc Nut	4	
28	22041020	M20 Nyloc Nut	8	
29	22046016C	M16 Flat Washer	4	
30				
31	DW802842/1	Hub	2	
32	DW802842/2	Retaining Ring	2	
33	DW802842/3	Castellated Nut	2	
34	DW802842/4	Split Pin	2	
35	DW802842/5	Hub Cap	2	
36	DW802842/6	M18 Wheel Stud	12	
37	DW802842/7	M18 Wheel Nut	12	
38	DW802842/8	Washer	12	
39	RPC648.061002	M6 90°Grease Nipple	2	
40	TH00500304	Outer Bearing	2	
41	TH00500307	Inner Bearing	2	
42	PS843	Ø25 External Circlip	8	
	<b>DW209055880</b>	<b>Wheel Complete Consists Of:</b>		
43	DW209028220	Rim	1	
44	DW209058520	Tyre	1	
45	DW209061130	Tube	1	



## Ø18" & Ø26" Intake Discs Assy No DWS959



2.27a

## POWAVATOR 400 SPARE PARTS

## Ø18" &amp; Ø26" Intake Discs

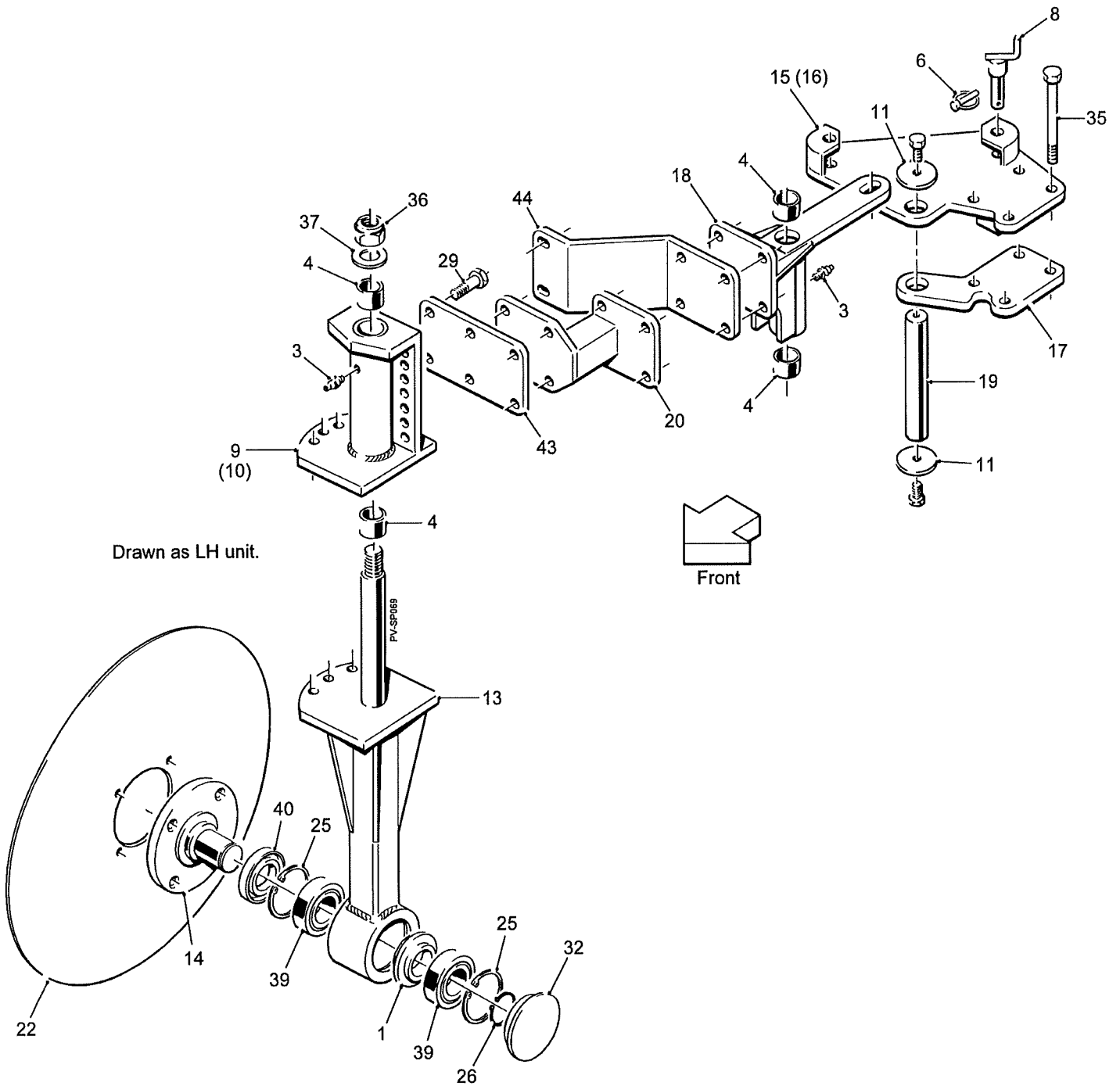
Assy No DWS959

Item	Part No.	Description	Qty.	Remarks
1	59711	Bearing Spacer	2	
2				
3	DW202030030	1/4"UNF Straight Grease Nipple	4	
4	DW254044300	Bush	8	
5				
6	DW50934	Clip Pin	2	
7				
8	DW800647	Mounting Pin	2	
9	DW801858	LH Pivot Plate	1	
10	DW801859	RH Pivot Plate	1	(not shown)
11	DW802848	Pivot Washer	4	
12				
13	DWS384	Disc Leg	2	
14	DWS385	Disc Hub	2	
15	DWS882	LH Upper Plate	1	
16	DWS883	RH Upper Plate	1	(not shown)
17	DWS884	Lower Plate	2	
18	DWS885	Disc Arm	2	
19	DWS886	Pivot Pin	2	
20	DWS923	Adaptor Bracket	2	
21				
22	DWS924	Ø18"Concave Disc	2	Option
	DWS960	Ø26"Concave Disc	2	Option
	0000200003	Ø26" Flat Disc	2	Option
23				
24				
25	W0116	Ø75 Internal Circlip	4	
26	W0117	Ø45 External Circlip	2	
27				
28				
29				
30				
31				
32	2000703003	Dust Cap	2	
33				
34				
35	22012016/150	M16x150 Bolt	8	
36	22041030	M30 Nyloc Nut	2	
37	22046030B	M30 Flat Washer	2	
38				
39	6009RS	Bearing	4	
40	6009ZJV	Nilos Ring	2	

Machines from 2015

## Ø18" & Ø26" Intake Discs

Assy No DWS959



**2.27a****POWAVATOR 400 SPARE PARTS**

Machines from 2015

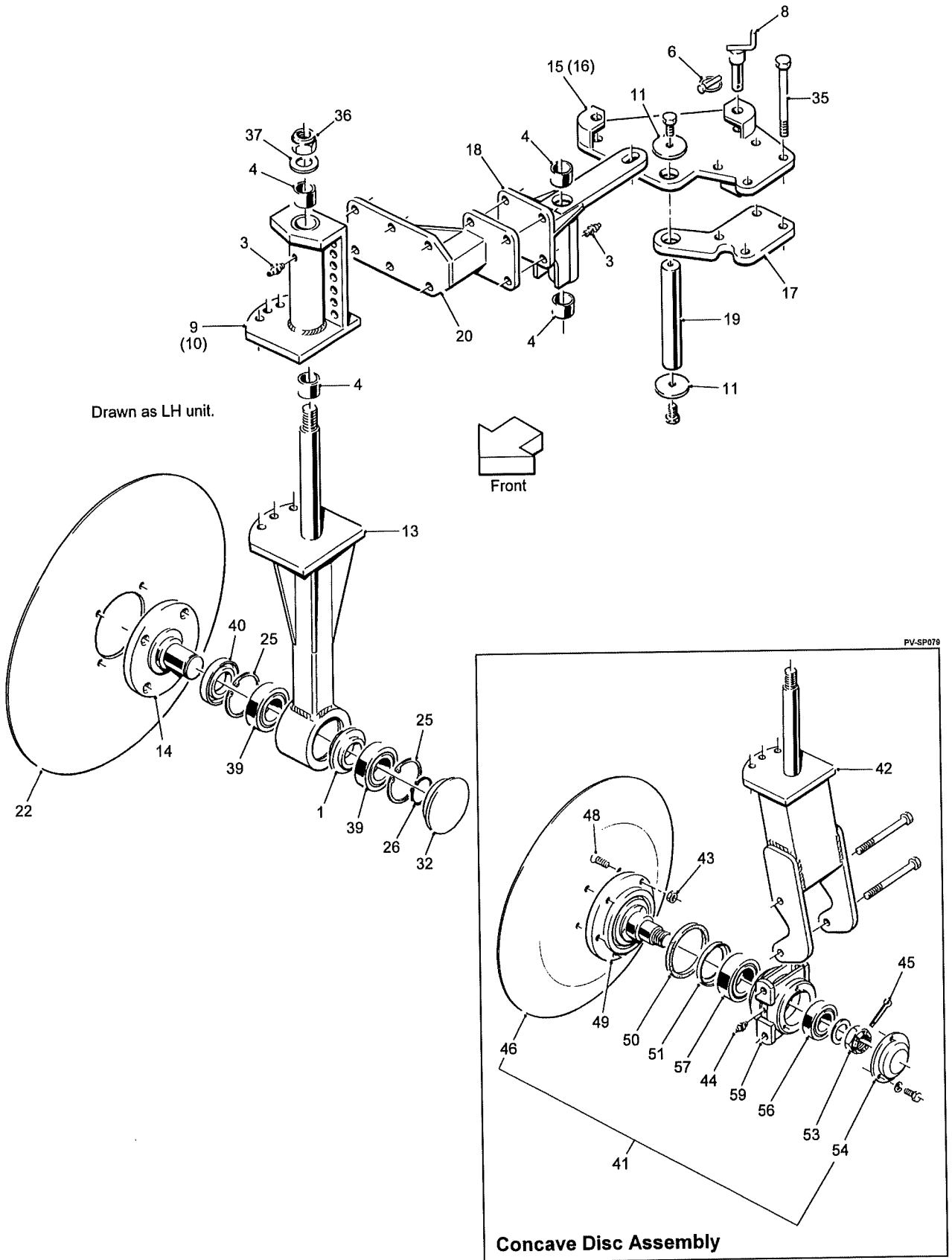
**Ø18" & Ø26" Intake Discs****Assy No DWS959**

Item	Part No.	Description	Qty.	Remarks
1	59711	Bearing Spacer	2	
2				
3	DW202030030	1/4"UNF Straight Grease Nipple	4	
4	DW254044300	Bush	8	
5				
6	DW50934	Clip Pin	2	
7				
8	DW800647	Mounting Pin	2	
9	DW801858	LH Pivot Plate	1	
10	DW801859	RH Pivot Plate	1	(not shown)
11	DW802848	Pivot Washer	4	
12				
13	DWS384	Disc Leg	2	
14	DWS385	Disc Hub	2	
15	DWS882	LH Upper Plate	1	
16	DWS883	RH Upper Plate	1	(not shown)
17	DWS884	Lower Plate	2	
18	DWS885	Disc Arm	2	
19	DWS886	Pivot Pin	2	
20	DWS923	Adaptor Bracket	2	
21				
22	DWS924	Ø18" Concave Disc	2	Option
	DWS960	Ø26" Concave Disc	2	Option
	0000200003	Ø26" Flat Disc	2	Option
23				
24				
25	W0116	Ø75 Internal Circlip	4	
26	W0117	Ø45 External Circlip	2	
27				
28				
29	22012016/045	M16x45 Bolt	16	
30				
31				
32	2000703003	Dust Cap	2	
33				
34				
35	22012020/220	M20x220 Bolt	8	
36	22041030	M30 Nyloc Nut	2	
37	22046030B	M30 Flat Washer	2	
38				
39	6009RS	Bearing	4	
40	6009ZJV	Nilos Ring	2	
41				
42				
43	DWS923A	Support Plate	2	
44	DWS923B	Support Plate	2	

Machines from 2018

## Ø18" & Ø26" Intake Discs

Assy No DWS959



## 2.27a

## POWAVATOR 400 SPARE PARTS

Machines from 2018

## Ø18" &amp; Ø26" Intake Discs

Assy No DWS959

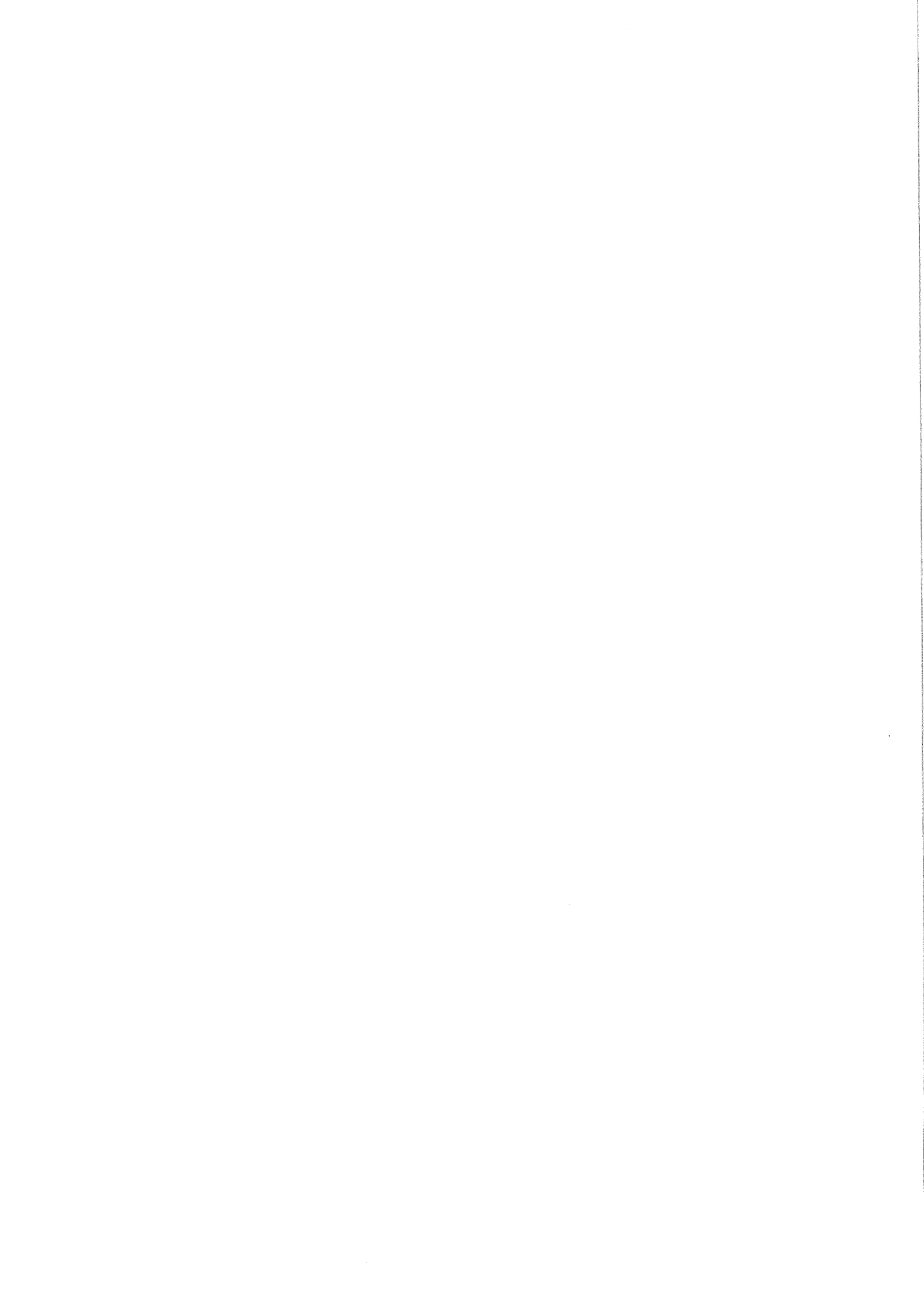
Item	Part No.	Description	Qty.	Remarks
1	59711	Bearing Spacer	2	
2				
3	DW202030030	1/4"UNF Straight Grease Nipple	4	
4	DW254044300	Bush	8	
5				
6	DW50934	Clip Pin	2	
7				
8	DW800647	Mounting Pin	2	
9	DW801858	LH Pivot Plate	1	
10	DW801859	RH Pivot Plate	1	(not shown)
11	DW802848	Pivot Washer	4	
12				
13	DWS384	Disc Leg	2	
14	DWS385	Disc Hub	2	
15	DWS882	LH Upper Plate	1	
16	DWS883	RH Upper Plate	1	(not shown)
17	DWS884	Lower Plate	2	
18	DWS885	Disc Arm	2	
19	DWS886	Pivot Pin	2	
20	DWS923	Adaptor Bracket	2	
21				
22	DWS924	Ø18"Concave Disc	2	Option
	DWS960	Ø26"Concave Disc	2	Option
	0000200003	Ø26" Flat Disc	2	Option
23				
24				
25	W0116	Ø75 Internal Circlip	4	
26	W0117	Ø45 External Circlip	2	
27				
28				
29				
30				
31				
32	2000703003	Dust Cap	2	
33				
34				
35	22012020/220	M20x220 Bolt	8	
36	22041030	M30 Nyloc Nut	2	
37	22046030B	M30 Flat Washer	2	
38				
39	6009RS	Bearing	4	
40	6009ZJV	Nilos Ring	2	
		<b>Concave Disc Assembly Consists Of</b>		
41	DW801841	Hub Assembly	2	
42	DW801844	Hub Mounting	2	
43	DW307512055	M12 Fine Nyloc Nut	10	Was DW107107015
44	DW202030870	M6 Straight Grease Nipple	2	Was DW202030030
45	DW208010475	Split Pin (Ø1/4"x3")	2	
46	DW222008001	Ø26"Concave Disc	2	
47				
48	DW331112455	M12x45 Fine Bolt	10	Was DW222008004
49	DW222008005	Disc Spindle	2	
50	DW222008006	Felt Seal	2	

**POWAVATOR 400 SPARE PARTS****2.27b**

Machines from 2018

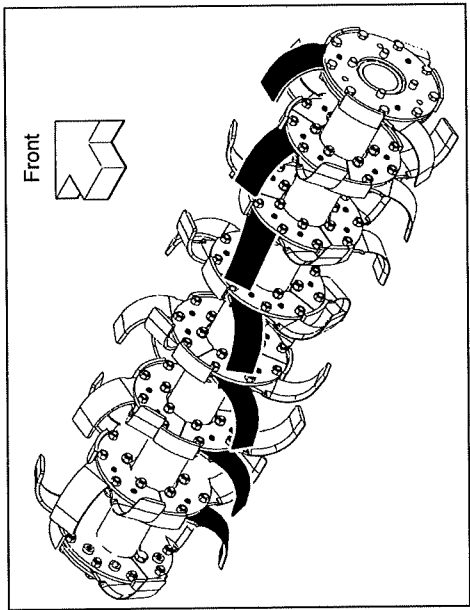
**Ø18" & Ø26" Intake Discs****Assy No DWS959**

<b>Item</b>	<b>Part No.</b>	<b>Description</b>	<b>Qty.</b>	<b>Remarks</b>
51	DW222008007	Grease Retainer	2	
52				
53	DW222008009	Castellated Nut	2	
54	DW222008010	Hub Cap	2	
55				
56	DW251736110	Bearing	2	
57	DW256711301	Bearing	2	
58				
59	DW801847	Hub	2	



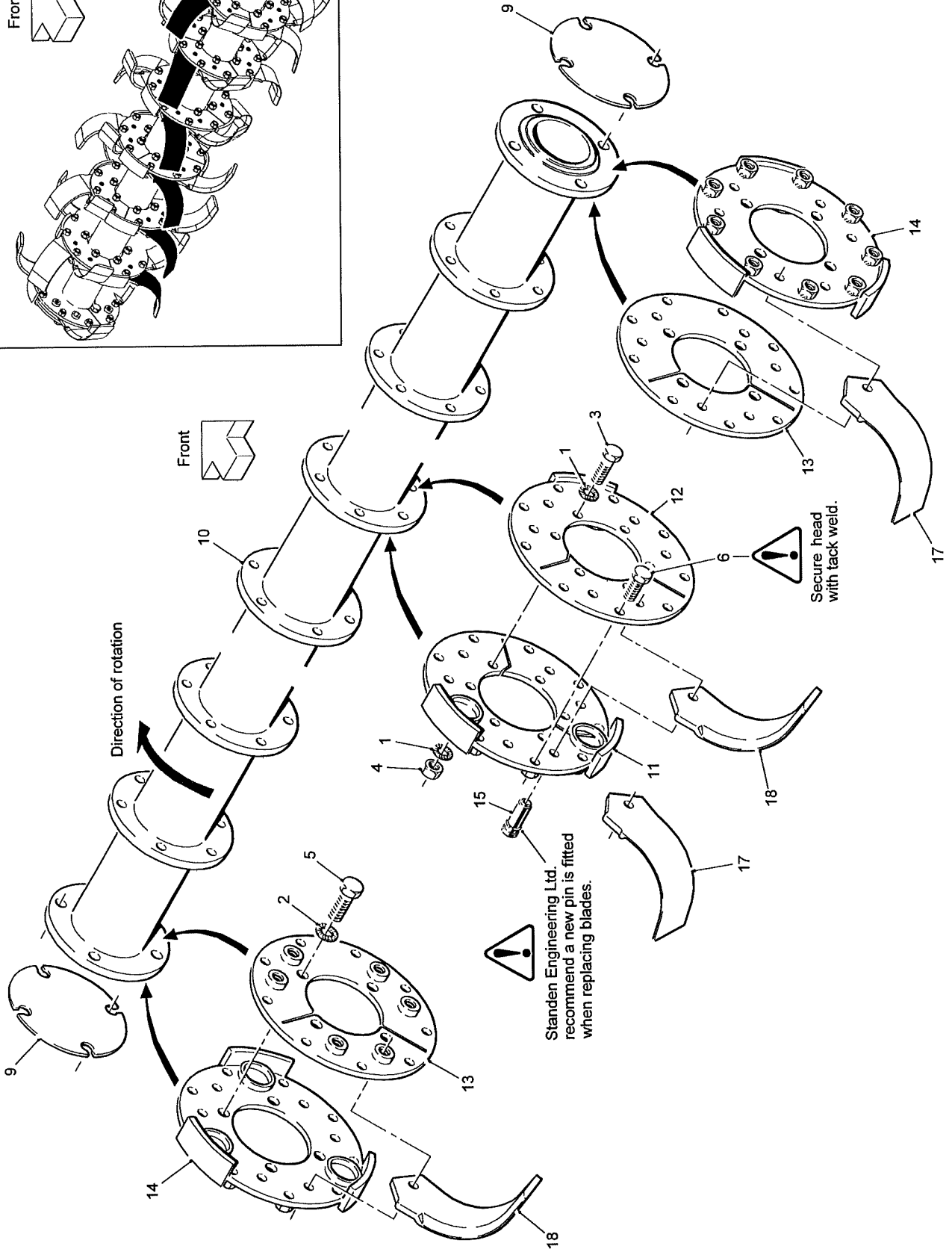


Rapid-Pin Rotor Assemblies



Front

PA/SB071



Direction of rotation

Front

Standen Engineering Ltd.  
recommend a new pin is fitted  
when replacing blades.

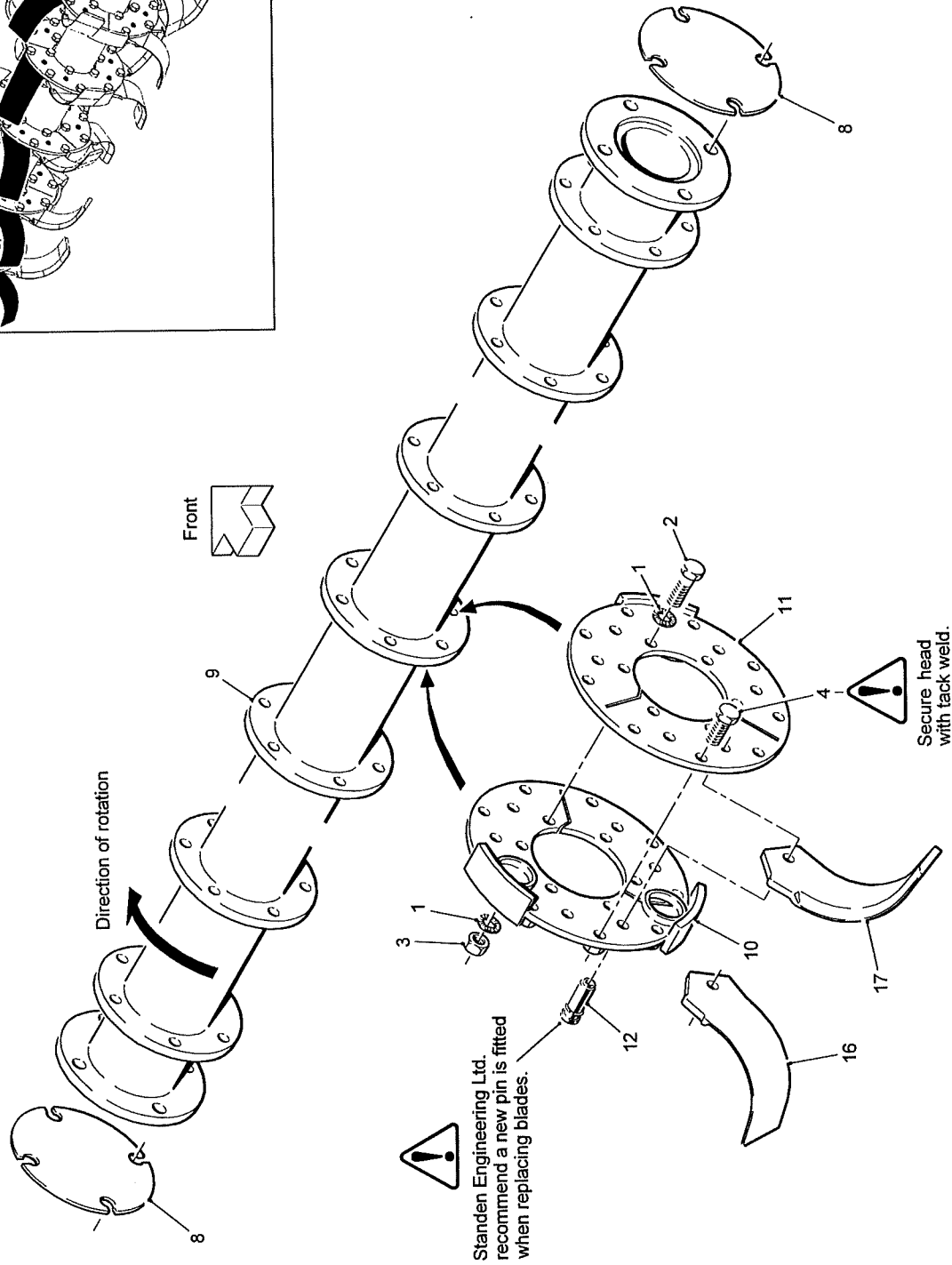
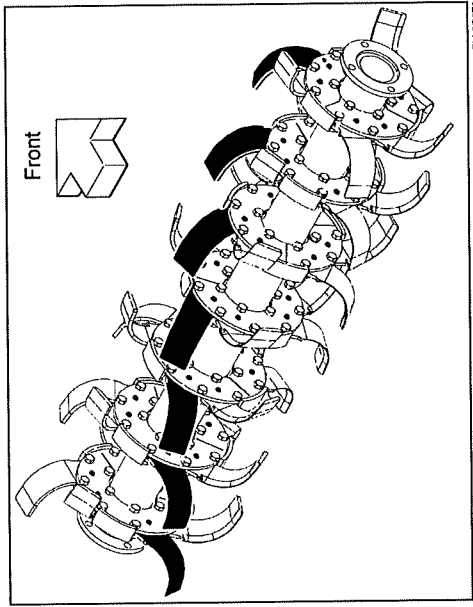
Secure head  
with tack weld.

## Rapid-Pin Rotor Assemblies

Item	Part No.	Description	Qty.	Remarks
		<b>70" Rapid-Pin Rotor Assembly</b>		
		<b>Consists Of:</b>		
1	22121016	M16 Nordlock Washer	72	
2	22121020	M20 Nordlock Washer	8	
3	22126016/055	M16x55 Bolt (grade 12.9)	36	
4	22127016	M16 Full Nut	36	
5	22128020/055	M20x55 Bolt (grade 12.9)	8	
6	22129016/045	M16x45 Setscrew (grade 12.9)	72	
7				
8				
9	DWS241	1mm Shim	1	
	DWS242	2mm Shim	1	
	DWS243	4mm Shim	1	
10	DWS1121/70	70" Rotor Shaft	1	
11	DWS1122	Rotor Plate LH	6	
12	DWS1123	Rotor Plate RH	6	
13	DWS1124	Inner End Plate	2	
14	DWS1126	Outer End Plate	2	
15	DWS1127	Knock-In Pin Assembly	42	
16				
17	DWS1091L	'L' Blade LH	21	
	DWS1091SL	'Speed' Blade LH	21	
18	DWS1091R	'L' Blade RH	21	
	DWS1091SR	'Speed' Blade RH	21	
		<hr/>		
		<b>70" Rapid-Pin Rotor Assembly</b>		
		<b>Consists Of:</b>		
1	22121016	M16 Nordlock Washer	108	
2	22121020	M20 Nordlock Washer	8	
3	22126016/055	M16x55 Bolt (grade 12.9)	54	
4	22127016	M16 Full Nut	54	
5	22128020/055	M20x55 Bolt (grade 12.9)	8	
6	22129016/045	M16x45 Setscrew (grade 12.9)	99	
7				
8				
9	DWS241	1mm Shim	1	
	DWS242	2mm Shim	1	
	DWS243	4mm Shim	1	
10	DWS1121/100	100" Rotor Shaft	1	
11	DWS1122	Rotor Plate LH	9	
12	DWS1123	Rotor Plate RH	9	
13	DWS1124	Inner End Plate	2	
14	DWS1126	Outer End Plate	2	
15	DWS1127	Knock-In Pin Assembly	60	
16				
17	DWS1091L	'L' Blade LH	30	
	DWS1091SL	'Speed' Blade LH	30	
18	DWS1091R	'L' Blade RH	30	
	DWS1091SR	'Speed' Blade RH	30	

Machines from 2015

Rapid-Pin Rotor Assemblies



2.28a

**POWAVATOR 400 SPARE PARTS**

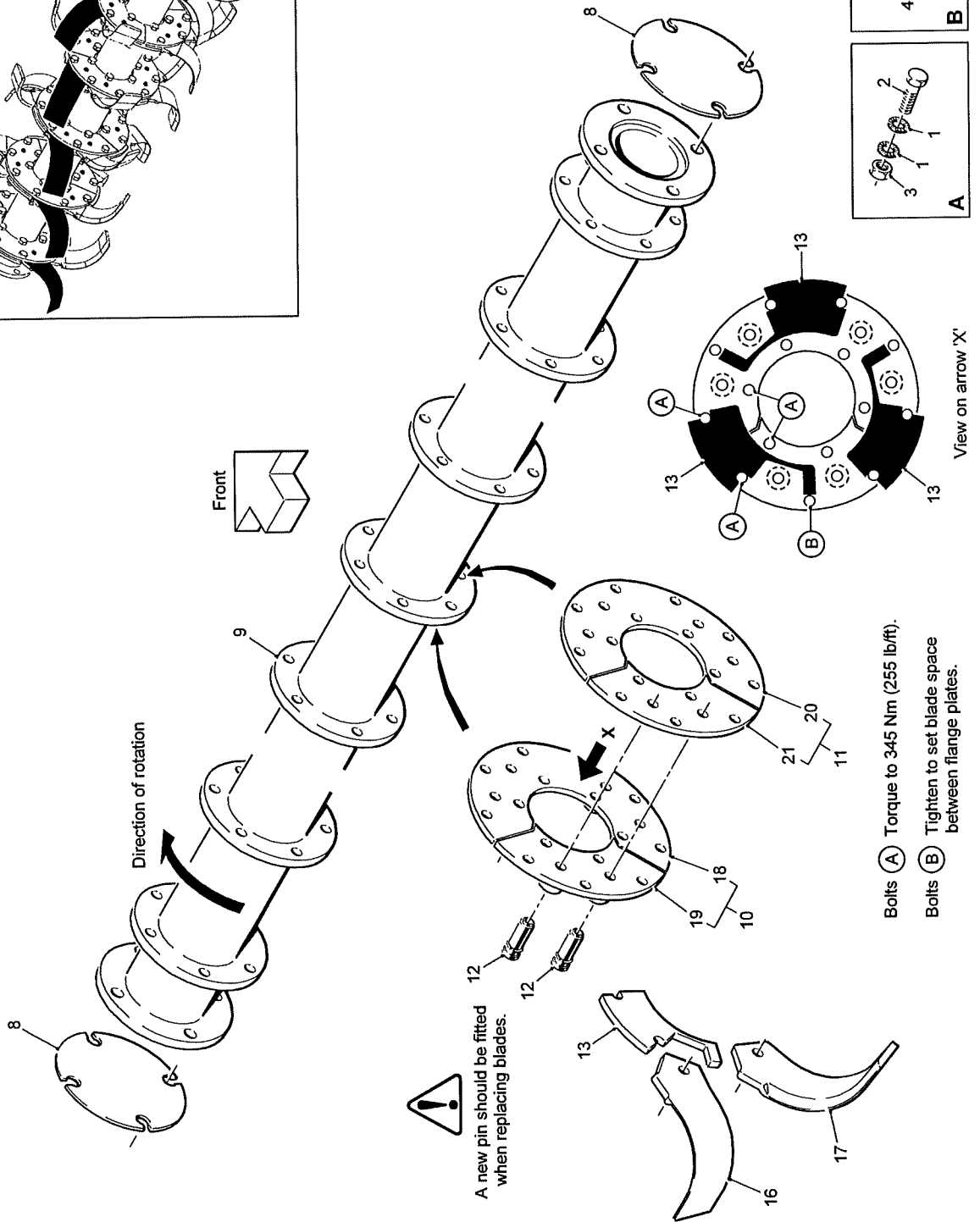
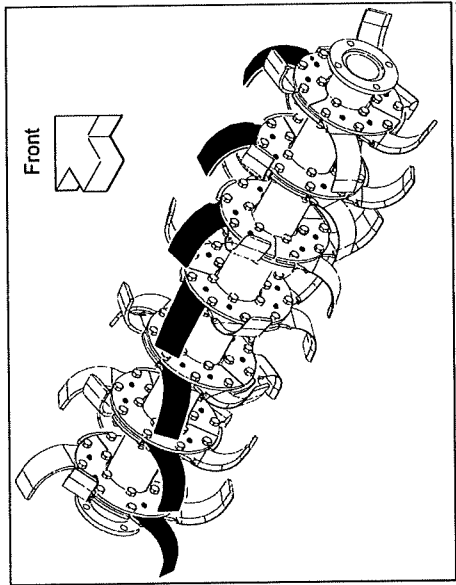
Machines from 2015

**Rapid-Pin Rotor Assemblies**

Item	Part No.	Description	Qty.	Remarks
		<b>70" Rapid-Pin Rotor Assembly</b>		
		<b>Consists Of:</b>		
1	22121016	M16 Nordlock Washer	84	
2	22126016/055	M16x55 Bolt (grade 12.9)	42	
3	22127016	M16 Full Nut	42	
4	22129016/045	M16x45 Setscrew(grade 12.9)	63	
5				
6				
7				
8	DWS241	1mm Shim	1	
	DWS242	2mm Shim	1	
	DWS243	4mm Shim	1	
9	DWS1121A/70	70" Rotor Shaft	1	
10	DWS1122	Rotor Plate LH	7	
11	DWS1123	Rotor Plate RH	7	
12	DWS1127	Knock-In Pin Assembly	42	
13				
14				
15				
16	DWS1091L	'L' Blade LH	21	
	DWS1091SL	'Speed' Blade LH	21	
17	DWS1091R	'L' Blade RH	21	
	DWS1091SR	'Speed' Blade RH	21	
		<b>100" Rapid-Pin Rotor Assembly</b>		
		<b>Consists Of:</b>		
1	22121016	M16 Nordlock Washer	120	
2	22126016/055	M16x55 Bolt (grade 12.9)	60	
3	22127016	M16 Full Nut	60	
4	22129016/045	M16x45 Setscrew(grade 12.9)	90	
5				
6				
7				
8	DWS241	1mm Shim	1	
	DWS242	2mm Shim	1	
	DWS243	4mm Shim	1	
9	DWS1121A/100	100" Rotor Shaft	1	
10	DWS1122	Rotor Plate LH	10	
11	DWS1123	Rotor Plate RH	10	
12	DWS1127	Knock-In Pin Assembly	60	
13				
14				
15				
16	DWS1091L	'L' Blade LH	30	
	DWS1091SL	'Speed' Blade LH	30	
17	DWS1091R	'L' Blade RH	30	
	DWS1091SR	'Speed' Blade RH	30	

Machines from 2017

## Rapid-Pin Rotor Assemblies



Bolts (A) Torque to 345 Nm (255 lb/ft).

Bolts (B) Tighten to set blade space between flange plates.

2.28a

**POWAVATOR 400 SPARE PARTS**

Machines from 2017

**Rapid-Pin Rotor Assemblies**

Item	Part No.	Description	Qty.	Remarks
		<b>70" Rapid-Pin Rotor Assembly</b>		
		<b>Consists Of:</b>		
1	22121016	M16 Nordlock Washer	168	
2	22126016/055	M16x55 Bolt (grade 12.9)	105	
3	22127016	M16 Full Nut (grade 12.9)	84	
4	22041016	M16 Nyloc Nut	21	
5				
6				
7				
8	DWS241	1mm Shim	1	
	DWS242	2mm Shim	1	
	DWS243	4mm Shim	1	
9	DWS1121A/70	70" Rotor Shaft	1	
10	DWS1173	Bossed Flange Assembly	7	(see list at end)
11	DWS1174	Plain Flange Assembly	7	(see list at end)
12	DWS1127	Knock-In Pin Assembly	42	
13	DWS1172	Spacer Plate	21	
14				
15				
16	DWS1091L	'L' Blade LH	21	
	DWS1091SL	'Speed' Blade LH	21	
17	DWS1091R	'L' Blade RH	21	
	DWS1091SR	'Speed' Blade RH	21	
		<b>100" Rapid-Pin Rotor Assembly</b>		
		<b>Consists Of:</b>		
1	22121016	M16 Nordlock Washer	300	
2	22126016/055	M16x55 Bolt (grade 12.9)	150	
3	22127016	M16 Full Nut (grade 12.9)	120	
4	22041016	M16 Nyloc Nut	30	
5				
6				
7				
8	DWS241	1mm Shim	1	
	DWS242	2mm Shim	1	
	DWS243	4mm Shim	1	
9	DWS1121A/100	100" Rotor Shaft	1	
10	DWS1173	Bossed Flange Assembly	10	(see list at end)
11	DWS1174	Plain Flange Assembly	10	(see list at end)
12	DWS1127	Knock-In Pin Assembly	60	
13	DWS1172	Spacer Plate	30	
14				
15				
16	DWS1091L	'L' Blade LH	30	
	DWS1091SL	'Speed' Blade LH	30	
17	DWS1091R	'L' Blade RH	30	
	DWS1091SR	'Speed' Blade RH	30	

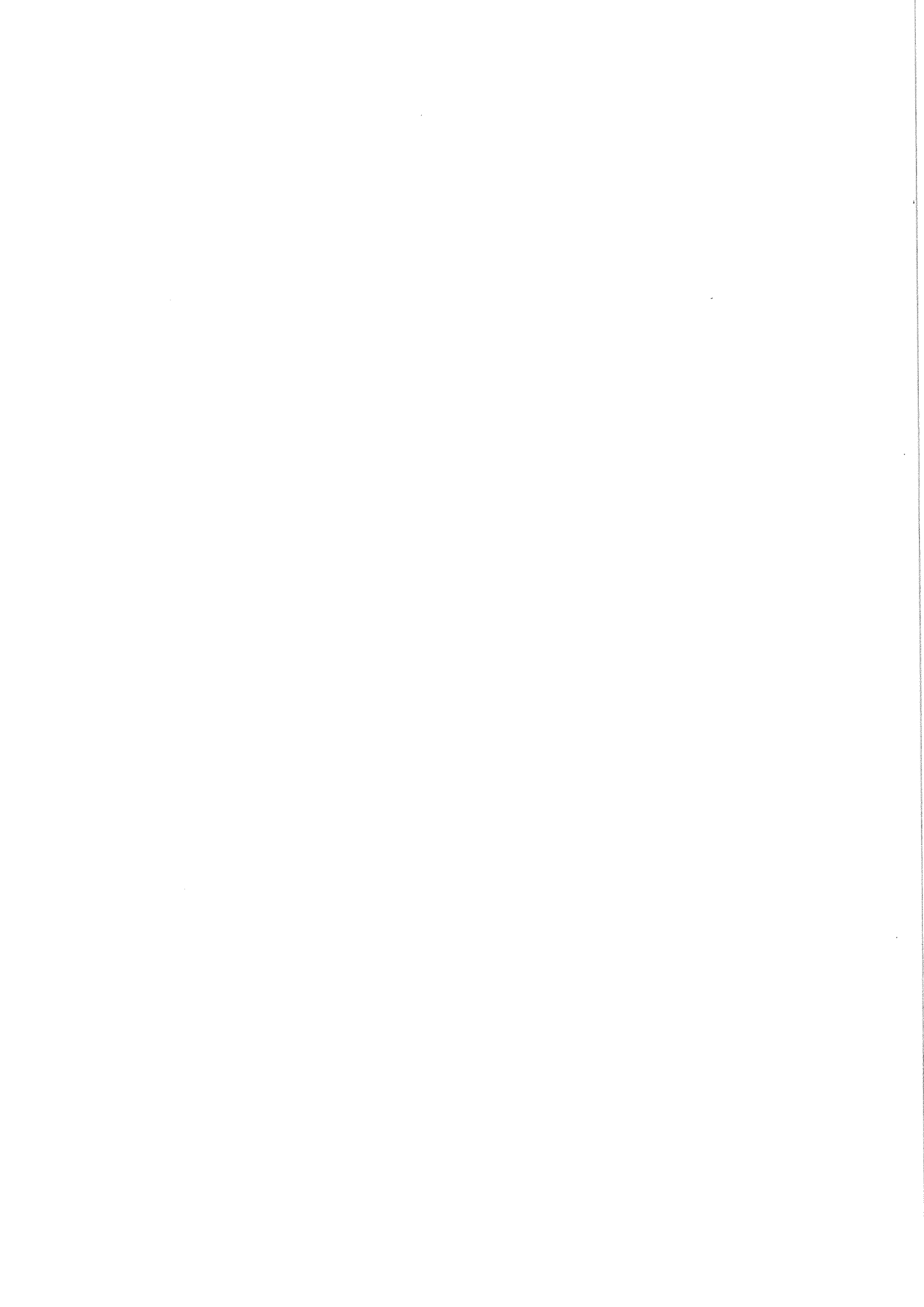
# POWAVATOR 400 SPARE PARTS

2.28b

Machines from 2017

## Rapid-Pin Rotor Assemblies

Item	Part No.	Description	Qty.	Remarks
		<b>120" Rapid-Pin Rotor Assembly</b>		
		<b>Consists Of:</b>		
1	22121016	M16 Nordlock Washer	360	
2	22126016/055	M16x55 Bolt (grade 12.9)	180	
3	22127016	M16 Full Nut (grade 12.9)	144	
4	22041016	M16 Nyloc Nut	36	
5				
6				
7				
8	DWS241	1mm Shim	1	
	DWS242	2mm Shim	1	
	DWS243	4mm Shim	1	
9	DWS1121A/120	120" Rotor Shaft	1	
10	DWS1173	Bossed Flange Assembly	12	(see list at end)
11	DWS1174	Plain Flange Assembly	12	(see list at end)
12	DWS1127	Knock-In Pin Assembly	72	
13	DWS1172	Spacer Plate	36	
14				
15				
16	DWS1091L	'L' Blade LH	36	
	DWS1091SL	'Speed' Blade LH	36	
17	DWS1091R	'L' Blade RH	36	
	DWS1091SR	'Speed' Blade RH	36	
	<b>DWS1173</b>	<b>Bossed Flange Plate Assembly</b>		
		<b>Consists Of:</b>		
18	DWS1173A	Bossed Flange Segment (large)	1	
19	DWS1173B	Bossed Flange Segment (small)	1	
	<b>DWS1174</b>	<b>Plain Flange Plate Assembly</b>		
		<b>Consists Of:</b>		
20	DWS1174A	Plain Flange Segment (large)	1	
21	DWS1174B	Plain Flange Segment (small)	1	







## 2.29a

## POWAVATOR 400 SPARE PARTS

## Auto-Reset Hydraulics

Assy No DWS1146

Item	Part No.	Description	Qty.	Remarks
1	10128	3/8"BSP M F Swivel Adaptor	2	
2	10140	1/2"BSP Probe	2	
3	11123	3/4"BSP Dowty Seal	2	
4	11124	1/2"BSP Dowty Seal	2	
5	11125	3/8"BSP Dowty Seal	8	
6	11876/8	1/4"BSP Blanking Plug	4	
7	11337	1/4"BSP Dowty Seal	4	
8	10466	3/8"BSP Bulkhead Adaptor	1	
9				
10	23139	3/8"BSP M M M Tee	1	
11				
12	42305	Gauge Port	1	
13				
14	46939	3/8"BSP F M M Tee	2	
15	46960	Pressure Gauge Adaptor	1	
16				
17	60370	1/4"BSP Breather	4	
18				
19	42343	3/8"BSP M F Compact 90° Adaptor	5	
20				
21				
22				
23				
24	DW202009220	Tap	2	
25	DW202085010	Pressure Gauge	1	
26				
27	DW801208	3/8"Hose Assembly (1360mm)	2	
28	DW801307	3/8"Hose Assembly (460mm)	1	
29				
30	60713	3/8"Hose Assembly (2000mm)	2	
31	13358	3/8"Hose Assembly (5000mm)	2	
32	DW802633	Hose Clamp	2	
33				
34				
35				
36				
37	DWS120	Accumulator Bracket	2	
38	DWS347	Rubber Packer	2	
39	DWS443	3/8"BSP F M M Gauge Tee	1	
40	DWS724	Dual Accumulator Complete	1	
41	DWS744	Accumulator Plate	1	
42				
43				
44				
45				
46				
47	SPCT7	3/8"BSPx3/4"BSP M M Adaptor	2	
48				
49	UC25	1/2"BSPx3/8"BSP M M Adaptor	2	
50	UC31A	3/8"BSP M M Adaptor	5	



**2.29a****POWAVATOR 400 SPARE PARTS**

Machines from 2017

**Auto-Reset Hydraulics**

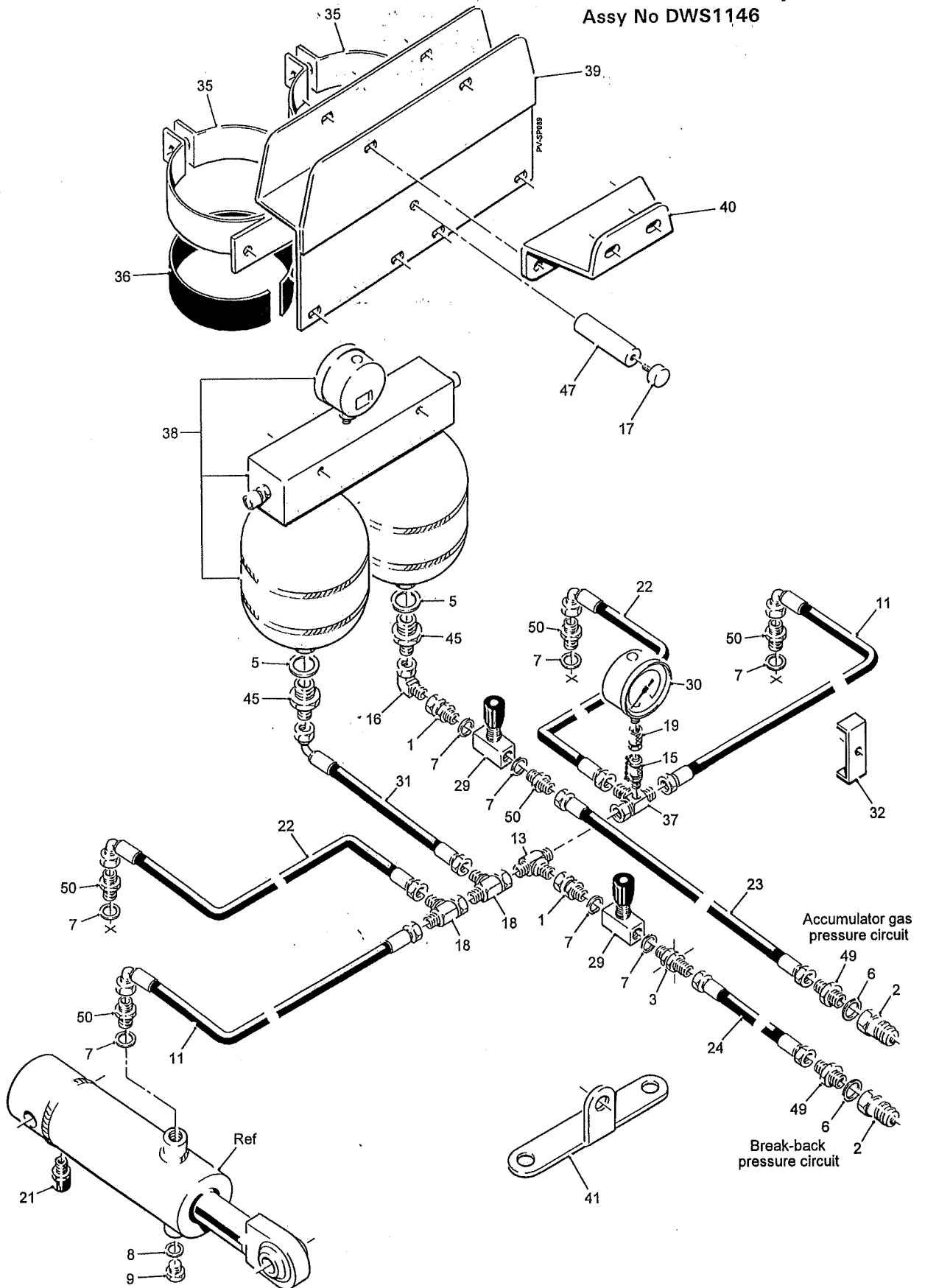
Assy No DWS1146

Item	Part No.	Description	Qty.	Remarks
1	10128	3/8"BSP M F Swivel Adaptor	2	
2	10140	1/2"BSP Probe	2	
3	10466	3/8"BSP Bulkhead Adaptor	1	
4				
5	11123	3/4"BSP Dowty Seal	2	
6	11124	1/2"BSP Dowty Seal	2	
7	11125	3/8"BSP Dowty Seal	8	
8	11337	1/4"BSP Dowty Seal	4	
9	11876/8	1/4"BSP Blanking Plug	4	
10				
11	13358	3/8"Hose Assembly (5000mm)	2	
12				
13	23139	3/8"BSP M M M Tee	1	
14				
15	42305	Gauge Port	1	
16	42343	3/8"BSP M F Compact 90° Adaptor	5	
17				
18	46939	3/8"BSP F M M Tee	2	
19	46960	Pressure Gauge Adaptor	1	
20				
21	60370	1/4"BSP Breather	4	
22	60713	3/8"Hose Assembly (2000mm)	2	
23	60480	3/8"Hose Assembly (3200mm)	1	
24	DW8100	3/8"Hose Assembly (2750mm)	1	
25				
26				
27				
28				
29	DW202009220	Tap	2	
30	DW202085010	Pressure Gauge	1	
31	DW801307	3/8"Hose Assembly (460mm)	1	
32	DW802633	Hose Clamp	2	
33				
34				
35	DWS120	Accumulator Bracket	2	
36	DWS347	Rubber Packer	2	
37	DWS443	3/8"BSP F M M Gauge Tee	1	
38	DWS724	Dual Accumulator Complete	1	
39	DWS744	Accumulator Plate	1	
40	DWS1097	Accumulator Mounting	1	
41	DWS1194	Bulkhead Bracket	1	
42				
43				
44				
45	SPCT7	3/8"BSPx3/4"BSP M M Adaptor	2	
46				
47	SS025009/108	Steel Spacer	1	
48				
49	UC25	1/2"BSPx3/8"BSP M M Adaptor	2	
50	UC31A	3/8"BSP M M Adaptor	5	

Machines from 2020

## Auto-Reset Hydraulics

Assy No DWS1146



**2.29a****POWAVATOR 400 SPARE PARTS**

Machines from 2020

**Auto-Reset Hydraulics****Assy No DWS1146**

Item	Part No.	Description	Qty.	Remarks
1	10128	3/8"BSP M F Swivel Adaptor	2	
2	10140	1/2"BSP Probe	2	
3	10466	3/8"BSP Bulkhead Adaptor	1	
4				
5	11123	3/4"BSP Dowty Seal	2	
6	11124	1/2"BSP Dowty Seal	2	
7	11125	3/8"BSP Dowty Seal	8	
8	11337	1/4"BSP Dowty Seal	4	
9	11876/8	1/4"BSP Blanking Plug	4	
10				
11	60575	3/8"Hose Assembly (5000mm)	2	Standard
	DW802888	3/8"Hose Assembly (4000mm)	2	For 2-bodied bedformer frame kit
12				
13	23139	3/8"BSP M M M Tee	1	
14				
15	42305	Gauge Port	1	
16	42343	3/8"BSP M F Compact 90°Adaptor	1	
17	43288	Bump Stop	1	
18	46939	3/8"BSP F M M Tee	2	
19	46960	Pressure Gauge Adaptor	1	
20				
21	60370	1/4"BSP Breather	4	
22	60713	3/8"Hose Assembly (2000mm)	2	
23	60480	3/8"Hose Assembly (3200mm)	1	
24	DW8100	3/8"Hose Assembly (2750mm)	1	
25				
26				
27				
28				
29	DW202009220	Tap	2	
30	DW202085010	Pressure Gauge	1	
31	DW801307	3/8"Hose Assembly (460mm)	1	
32	DW802633	Hose Clamp	2	
33				
34				
35	DWS120	Accumulator Bracket	2	
36	DWS347	Rubber Packer	2	
37	DWS443	3/8"BSP F M M Gauge Tee	1	
38	DWS724	Dual Accumulator Complete	1	
39	DWS744	Accumulator Plate	1	
40	DWS1097	Accumulator Mounting	1	
41	DWS1194	Bulkhead Bracket	1	
42				
43				
44				
45	SPCT7	3/8"BSPx3/4"BSP M M Adaptor	2	
46				
47	DWS1235	Bump Stop Support	1	
48				
49	UC25	1/2"BSPx3/8"BSP M M Adaptor	2	
50	UC31A	3/8"BSP M M Adaptor	5	



## 2.29a

## POWAVATOR 400 SPARE PARTS

Machines from 2023

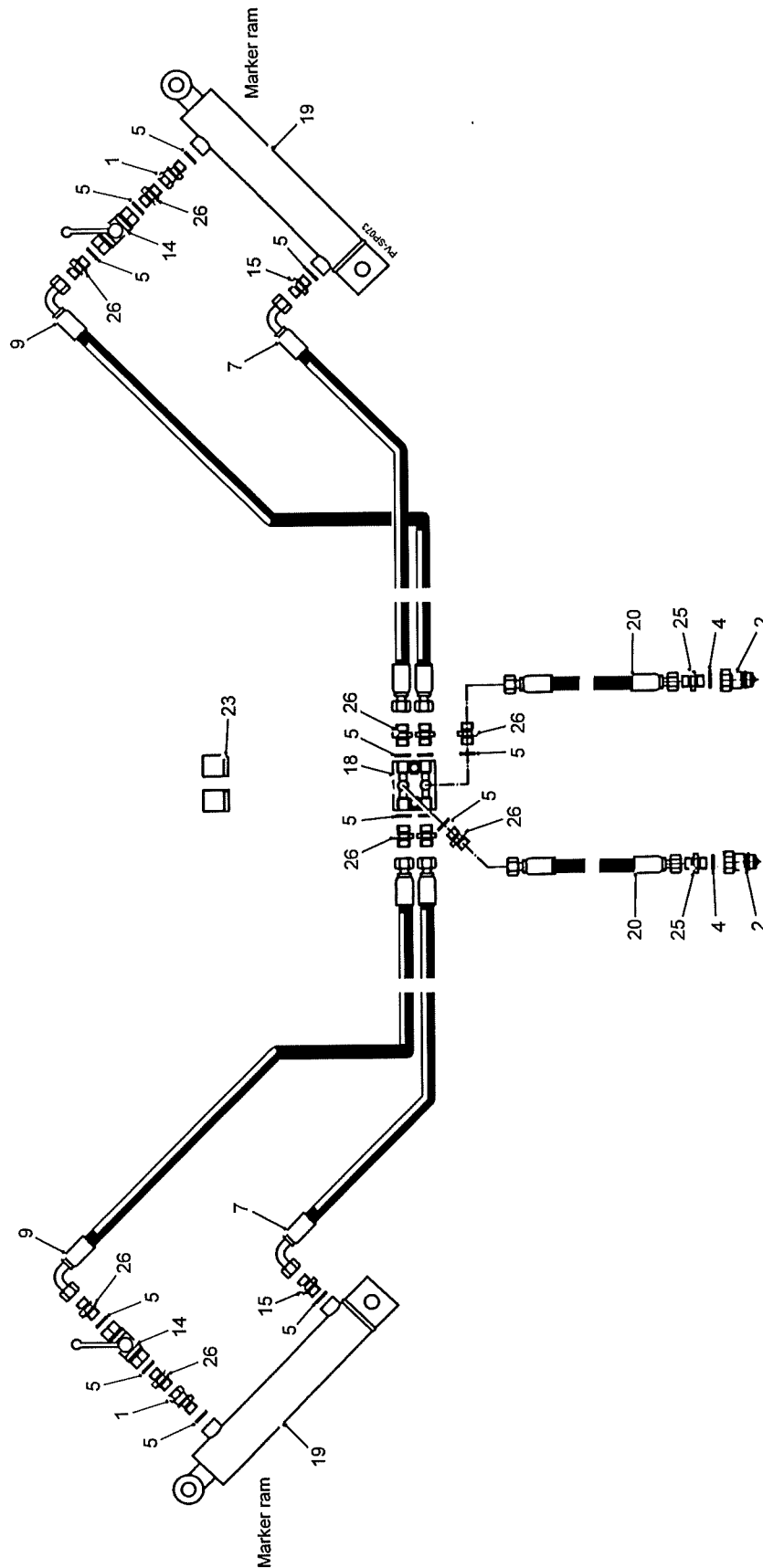
## Auto-Reset Hydraulics

Assy No DWS1146

Item	Part No.	Description	Qty.	Remarks
1	10128	3/8"BSP M F Swivel Adaptor	2	
2	10140	1/2"BSP Probe	2	
3				
4	11123	3/4"BSP Dowty Seal	2	
5	11124	1/2"BSP Dowty Seal	2	
6	11125	3/8"BSP Dowty Seal	15	
7	11336	1/4"BSPx3/8"BSP M M Adaptor	1	
8	11337	1/4"BSP Dowty Seal	4	
9	11876/8	1/4"BSP Blanking Plug	4	
10				
11				
12	27450	1/4"BSP F F Swivel Adaptor	1	
13				
14	42343	3/8"BSP M F Compact 90° Adaptor	3	
15				
16	43288	Bump Stop	1	
17				
18	44042	1/4"Hose Assembly (900mm)	1	
19				
20	60370	1/4"BSP Breather	4	
21	60480	3/8"Hose Assembly (3200mm)	1	
22	60575	3/8"Hose Assembly (5000mm)	2	Standard
	DW802888	3/8"Hose Assembly (4000mm)	2	For 2-bodied bedformer frame kit
23	60713	3/8"Hose Assembly (2000mm)	2	
24	60822	3/8"Hose Assembly (600mm)	1	
25	60483	1/4"BSP Bulkhead Adaptor	1	
26				
27				
28				
29	DW8100	3/8"Hose Assembly (2750mm)	1	
30	DW802633	Hose Clamp	2	
31	DW202009220	3/8"BSP Tap	2	
32	DW202085010	Pressure Gauge	1	
33				
34	DWS120	Accumulator Bracket	2	
35	DWS347	Rubber Packer	2	
36	DWS724	Dual Accumulator Complete	1	
37	DWS744	Accumulator Plate	1	
38	DWS1097	Accumulator Mounting	1	
39	DWS1235	Bump Stop Support	1	
40	DWS1475	7-Way Manifold Block	1	
41	DWS1476	Manifold Bracket	1	
42				
43				
44				
45	KA20602	1/4"BSP Mx1/4"BSP F Gauge Adaptor	1	
46				
47	SPCT7	3/8"BSPx3/4"BSP M M Adaptor	2	
48				
49	TR563	'CAUTION' Decal	1	Not shown
50				
51	UC25	3/8"BSPx1/2"BSP M M Adaptor	2	
52	UC31A	3/8"BSP M M Adaptor	12	



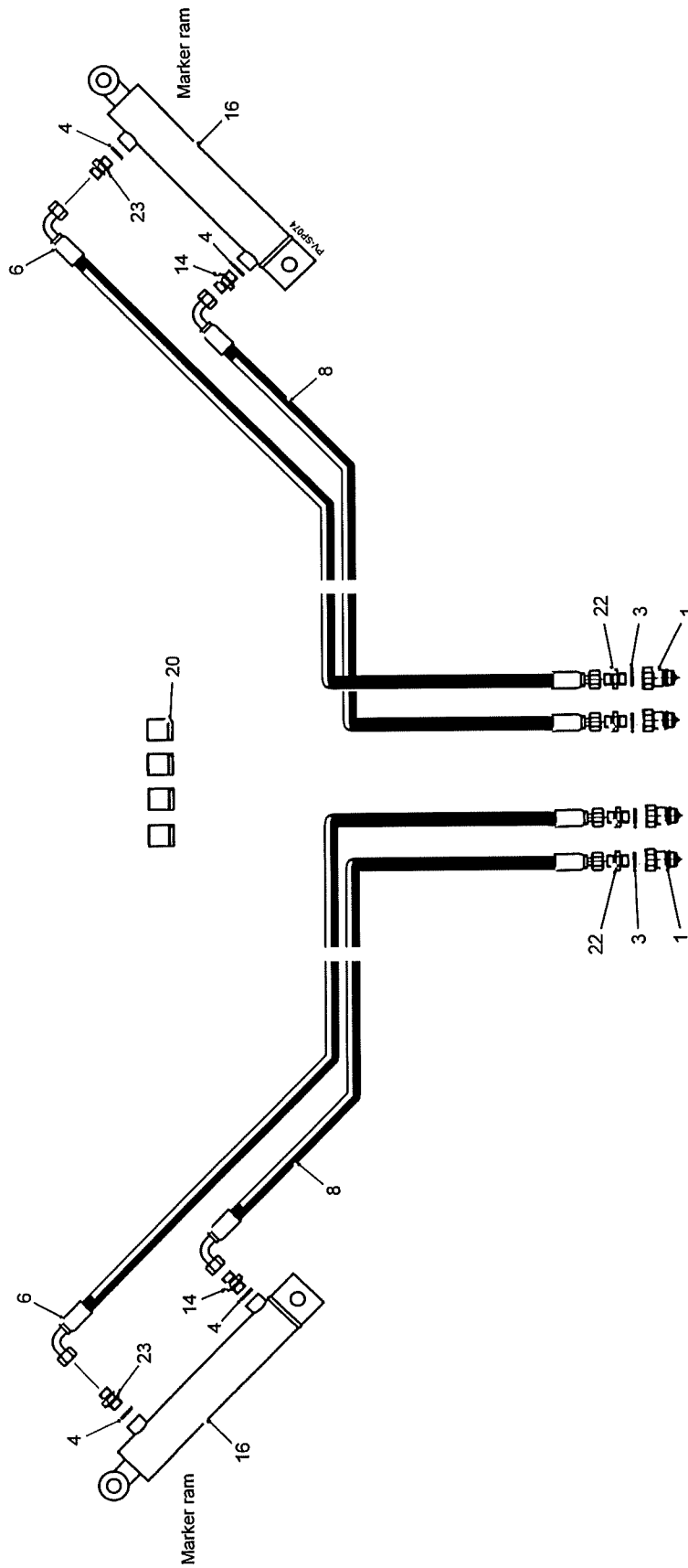
Disc Marker Dual Operation Hydraulics  
Assy No DWS1145



**2.30a****POWAVATOR 400 SPARE PARTS****Disc Marker Dual Operation Hydraulics****Assy No DWS1145**

<b>Item</b>	<b>Part No.</b>	<b>Description</b>	<b>Qty.</b>	<b>Remarks</b>
1	10128	3/8"BSP M F Swivel Adaptor	2	
2	10140	1/2"BSP Probe	2	
3				
4	11124	1/2"BSP Dowty Seal	2	
5	11125	3/8"BSP Dowty Seal	14	
6				
7	52099	3/8"Hose Assembly (5200mm)	2	
8				
9	60375	3/8"Hose Assembly (5700mm)	2	
10				
11				
12				
13				
14	DW202046270	3/8"BSP 2-Way Ball Valve	2	
15	DW222008066	3/8"BSP M M Restrictor	2	
16				
17				
18	DW801992	Junction Block	1	
19	DW802611	Hydraulic Ram	2	
20	DW8100	3/8"Hose Assembly (2750mm)	2	
21				
22				
23	KA17316	1/2"Hose Anchor	2	Used prior to 2021 only
24				
25	UC25	1/2"BSP x 3/8"BSP M M Adaptor	2	
26	UC31A	3/8"BSP M M Adaptor	10	

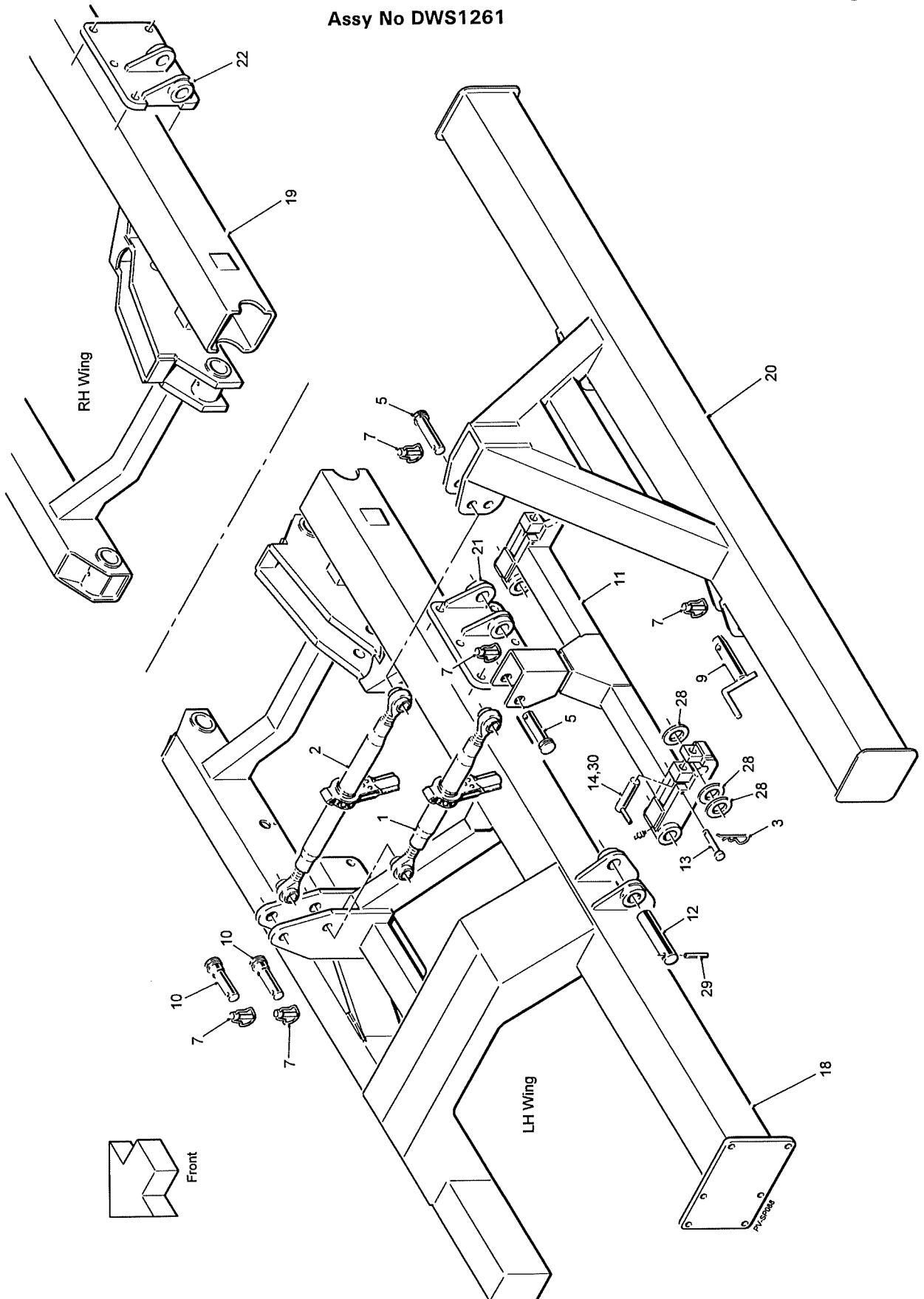
Disc Marker Individual Operation Hydraulics  
Assy No DWS900



**2.31a****POWAVATOR 400 SPARE PARTS****Disc Marker Individual Operation Hydraulics****Assy No DWS900**

Item	Part No.	Description	Qty.	Remarks
1	10140	1/2"BSP Probe	4	
2				
3	11124	1/2"BSP Dowty Seal	4	
4	11125	3/8"BSP Dowty Seal	4	
5				
6	13352	3/8"Hose Assembly (6000mm)	2	
7				
8	60375	3/8"Hose Assembly (5700mm)	2	
9				
10				
11				
12				
13				
14	DW222008066	3/8"BSP M M Restrictor	2	
15				
16	DW802611	Hydraulic Ram	2	
17				
18				
19				
20	KA17316	1/2"Hose Anchor	4	Used prior to 2021 only
21				
22	UC25	1/2"BSP x 3/8"BSP M M Adaptor	2	
23	UC31A	3/8"BSP M M Adaptor	2	

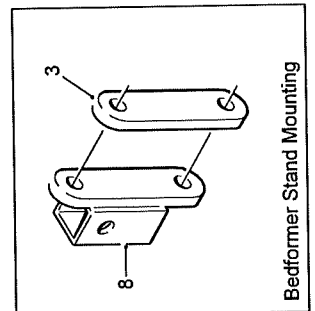
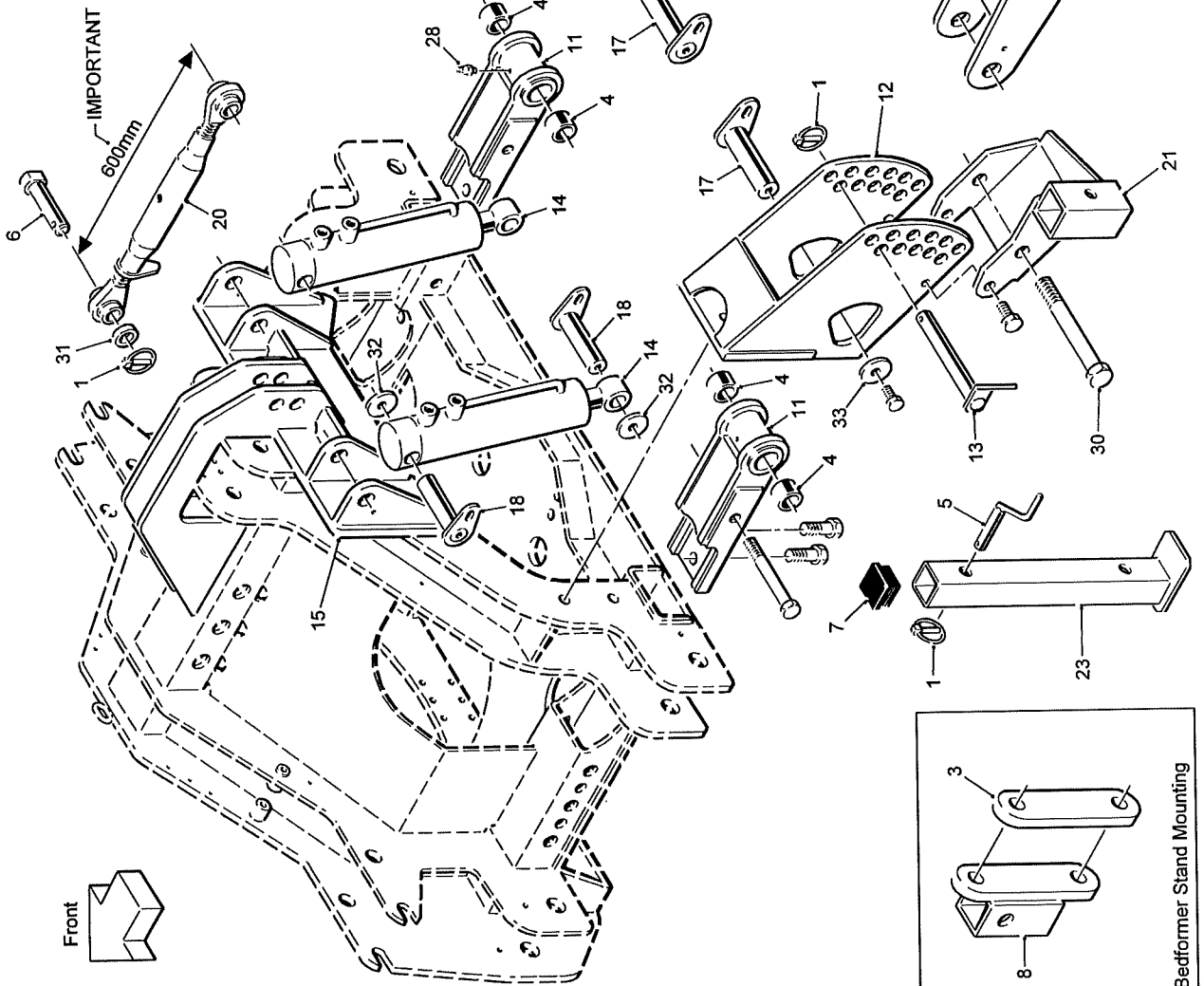
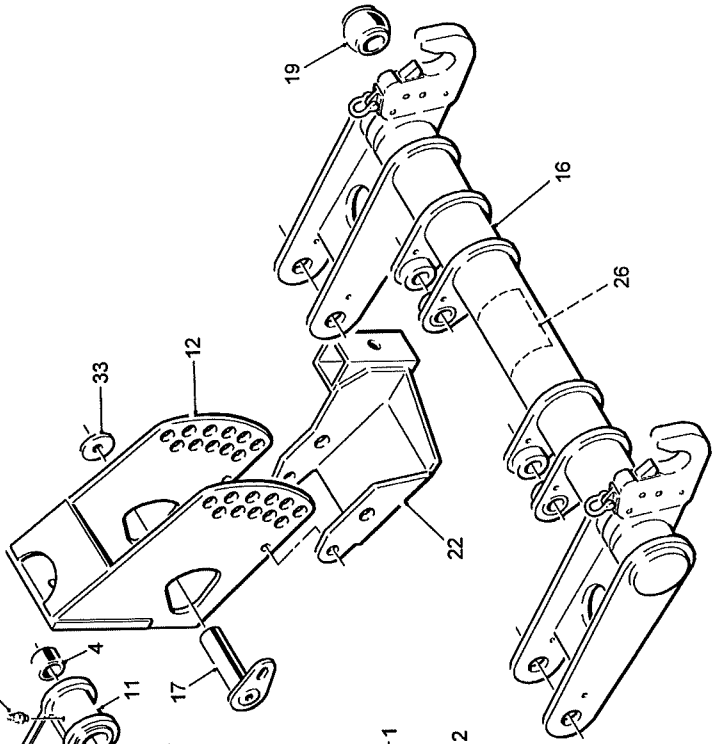
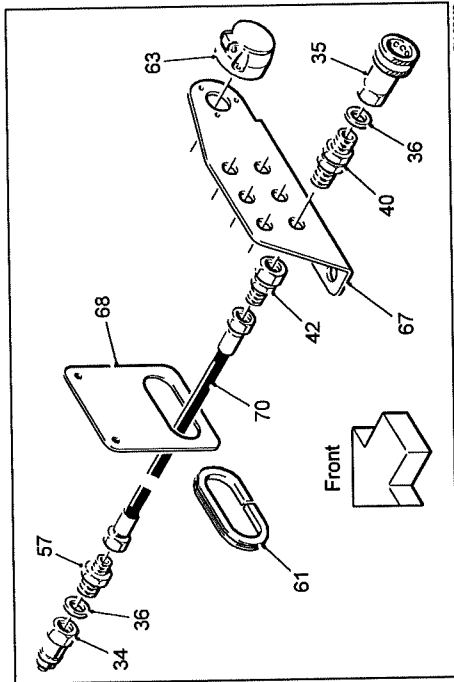
2-Bodyed Bedformer Frame Mounting Kit  
Assy No DWS1261



**2.32a****POWAVATOR 400 SPARE PARTS****2-Bodied Bedformer Frame Mounting Kit****Assy No DWS1261**

Item	Part No.	Description	Qty.	Remarks
1	DW208007940	Ratchet Jack (short)	2	
2	DW208007950	Ratchet Jack (long)	2	
3	DW208014390	R' Clip	2	
4				
5	DW305098	Drawpin (CAT 2)	4	
6				
7	DW50934	Clip Pin	12	
8				
9	DW800186	Bottom Link Pin (CAT 2)	4	
10	DW800230	Top Hitch Pin (CAT 2)	4	
11	DW801044	Hitch Frame	2	
12	DW801057	Pivot Pin	4	
13	DW801136	Locking Pin	4	
14	DW801143	Sliding Bolt	4	
15				
16				
17				
18	DWS1253/72	LH Wing	1	72" wheelings
19	DWS1254/72	RH Wing	1	72" wheelings
20	DWS1255	2-Bodied Bedformer Frame	2	
21	DWS1257	LH Pivot Bracket	1	
22	DWS1258	RH Pivot Bracket	1	
23				
24				
25				
26				
27				
28	22046030	M30 Flat Washer	12	
29	22067006/060	Ø6x60 Roll Pin	4	
30	22067010/060	Ø10x60 Roll Pin	4	

**4-Bodyed Bedformer Hydraulic Linkage**  
 Assy No DWS1043



# 2.33a

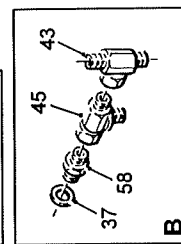
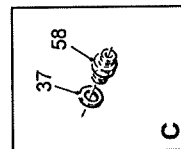
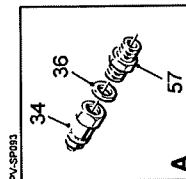
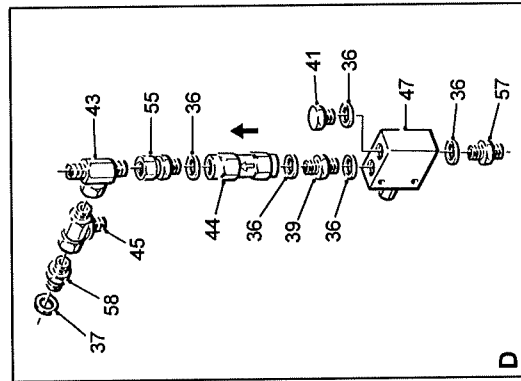
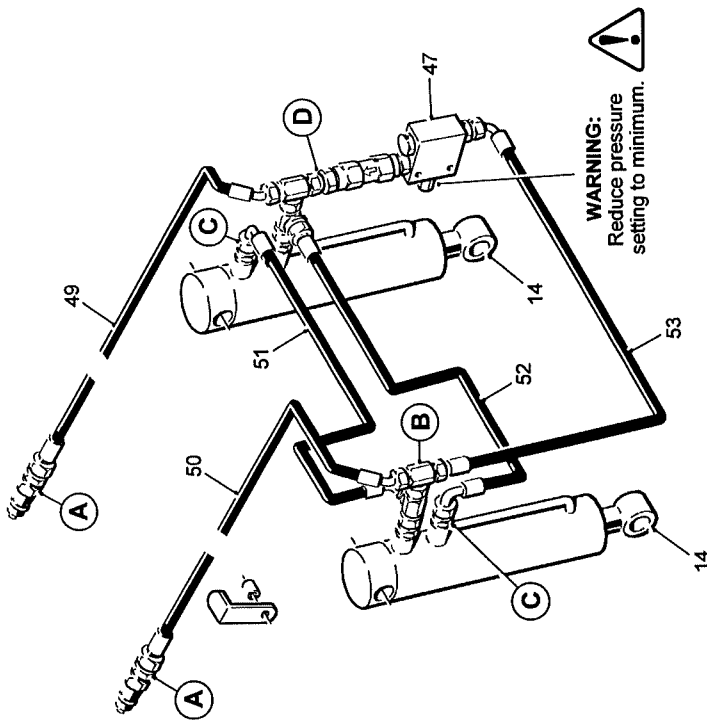
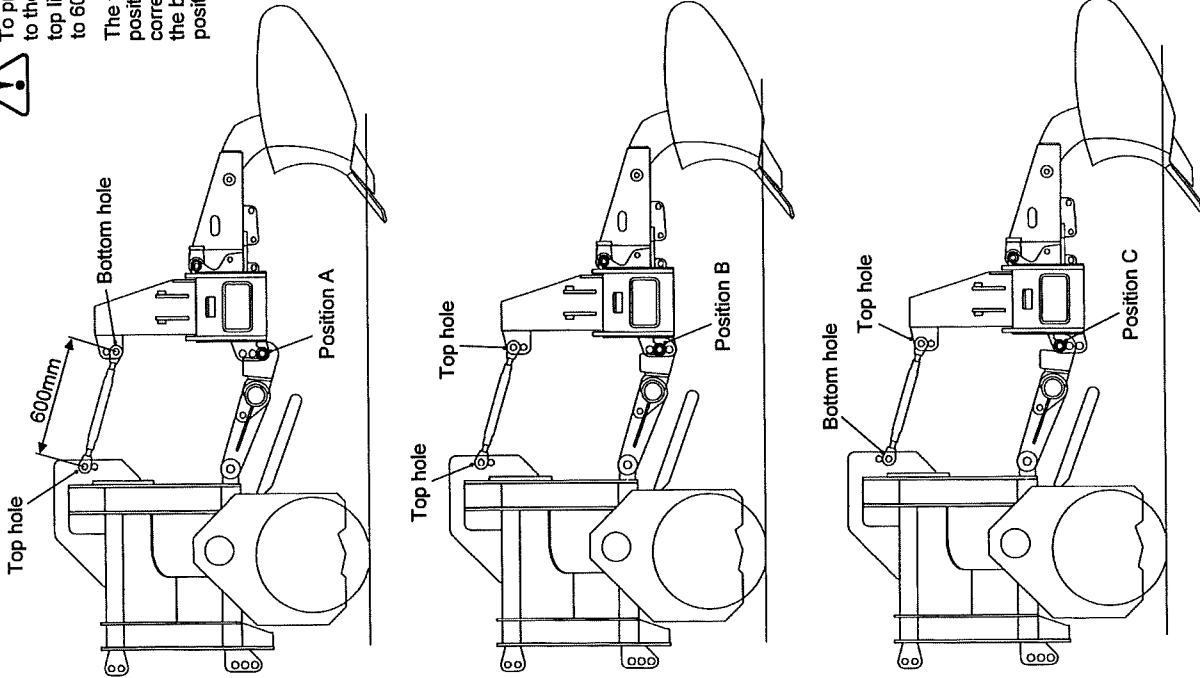
# POWAVATOR 400 SPARE PARTS

## 4-Bodied Bedformer Hydraulic Linkage Assy No DWS1043

**WARNING:**  
To prevent damage to the machine, the top link must be set to 600mm centres.  
The top link must be positioned in the correct holes to suit the bottom lift arm position A, B, or C.



Parallel Linkage Positions





# POWAVATOR 400 SPARE PARTS

2.33b

## 4-Bodied Bedformer Hydraulic Linkage

Assy No DWS1043

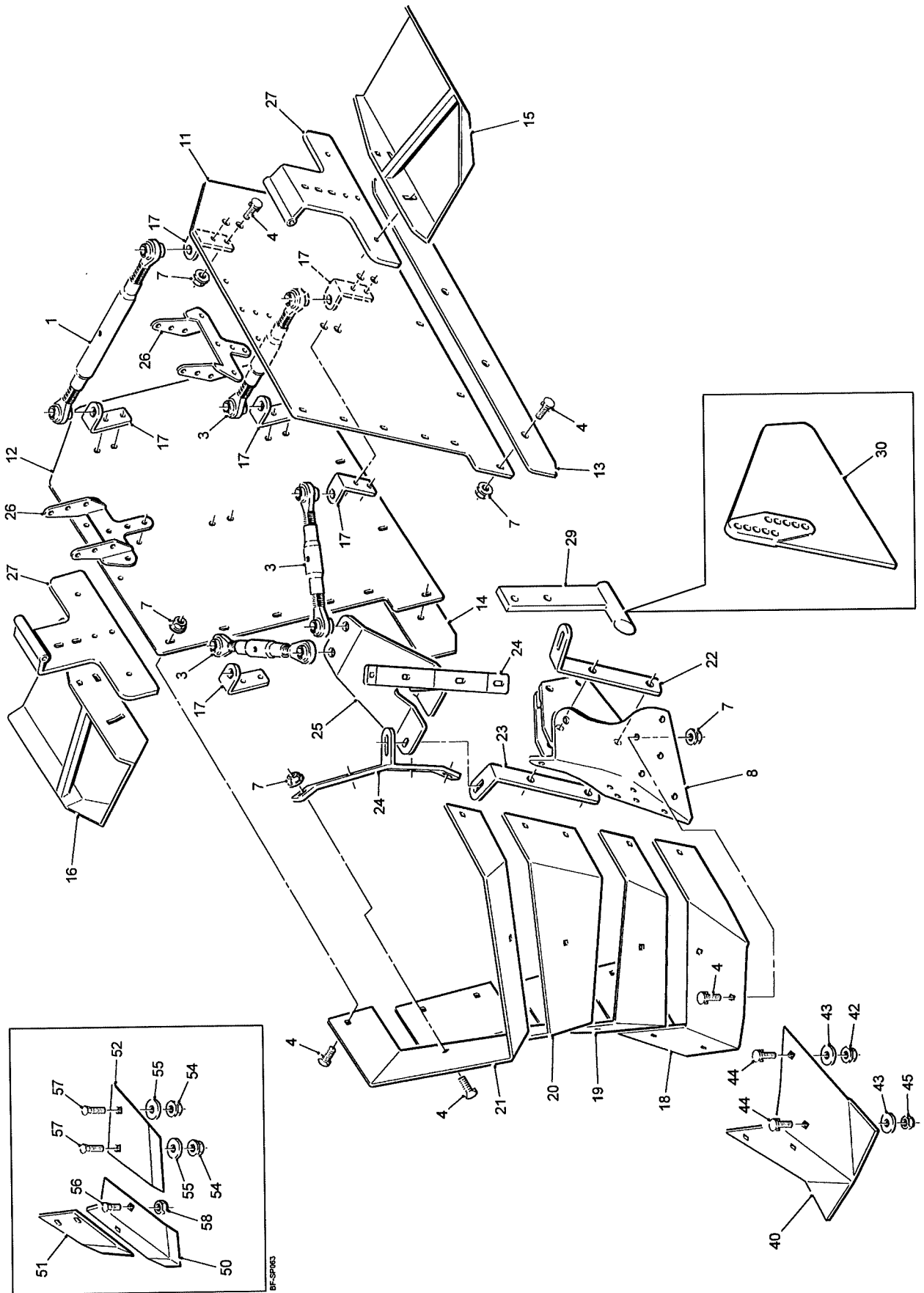
Item	Part No.	Description	Qty.	Remarks
1	DW50934	Clip Pin	6	
2				
3	DWS134	Clamp Plate	2	For Bedformer
4	DWS171	Nylon Bush	4	
5	DWS597	Pin	2	
6	DWS599	Top Link Pin	1	
7	DWS871	Plastic Insert (70x70)	2	
8	DWS925	Stand Mounting Bracket	2	For Bedformer
9				
10				
11	DWS1044	Bottom Arm Pivot	2	
12	DWS1045	Depth Bracket	2	
13	DWS1046	Depth Set Pin	2	
14	DWS1047	Hydraulic Ram	2	
15	DWS1048	Ram Mounting (weld-on)	1	
16	DWS1049	Bottom Lift Arms	1	
17	DWS1050	Pivot Pin	2	
18	DWS1051	Pivot Pin	4	
19	DWS1052	CAT3 Ball with CAT3 Hole	2	
20	DWS1053	CAT3 Top Link Assembly	1	
21	DWS1168	Stand Bracket LH	1	
22	DWS1169	Stand Bracket LH	1	
23	DWS1170	Stand	2	
24				
25				
26	TR567	Warning Decal	1	
27				
28	GS412	1/8"BSP Grease Nipple Straight	2	
29				
30	22012030/280	M30x280 Bolt	2	
31	SS042036/010	Steel Spacer	1	
32	SS060013/005	Steel Spacer	4	
33	SS060017/005	Steel Spacer	2	
		<b>Hydraulic Components Consists Of:</b>		
34	10140	1/2"BSP Male Probe	8	
35	10141	1/2"BSP Carrier	6	
36	11124	1/2"BSP Dowty Seal	19	
37	11125	3/8"BSP Dowty Seal	4	
38				
39	12315	1/2"BSP M M Adaptor	1	
40	12321	1/2"BSP Bulkhead Adaptor	6	
41	24383	1/2"BSP Blanking Plug	1	
42	44044	1/2"BSPFx3/8"BSP M Swivel Adaptor	1	
43	42344	3/8"BSP M M F Tee	2	
44	46807	1/2"BSP Inline Check Valve	1	
45	46939	3/8"BSP F M M Tee	2	
46				
47	51516	Pressure Relief Valve	1	
48				
49	71013	3/8"Hose Assembly (2950mm)	1	
50	71014	3/8"Hose Assembly (2850mm)	1	
51	71015	3/8"Hose Assembly (950mm)	1	
52	71016	3/8"Hose Assembly (850mm)	1	

**2.33c****POWAVATOR 400 SPARE PARTS****4-Bodied Bedformer Hydraulic Linkage**

Assy No DWS1043

Item	Part No.	Description	Qty.	Remarks
53	60855	3/8"Hose Assembly (750mm)	1	
54				
55	KA17325	3/8"BSPFx1/2"BSPM Swivel Adaptor	1	
56				
57	UC25	3/8"BSPx1/2"BSP M M Adaptor	9	
58	UC31A	3/8"BSP M M Adaptor	4	
59				
60				
61	43227	Edging Strip	a/r	
62				
63	46495	7-Pin Socket	1	
64				
65				
66				
67	DWS1371	Quick Release Mounting Plate	1	
68	DWS1374	Hose Support	1	
69				
70	DW802591	3/8"Hose Assembly (2000mm)	6	

Square Sided Furrower Assembly  
Assy No DWS1415



2.34a

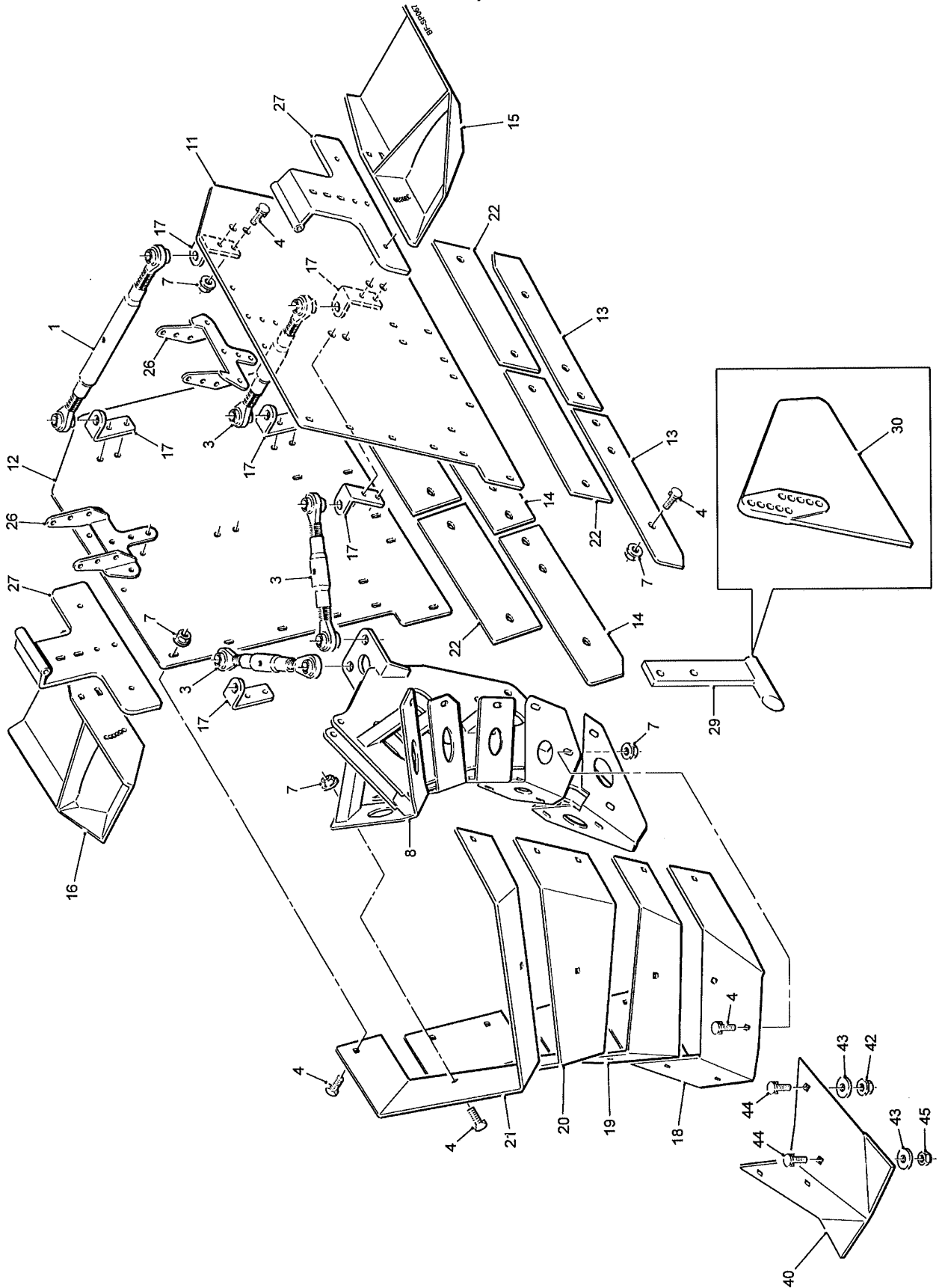
## POWAVATOR 400 SPARE PARTS

## Square Sided Furrower Assembly

Assy No DWS1415

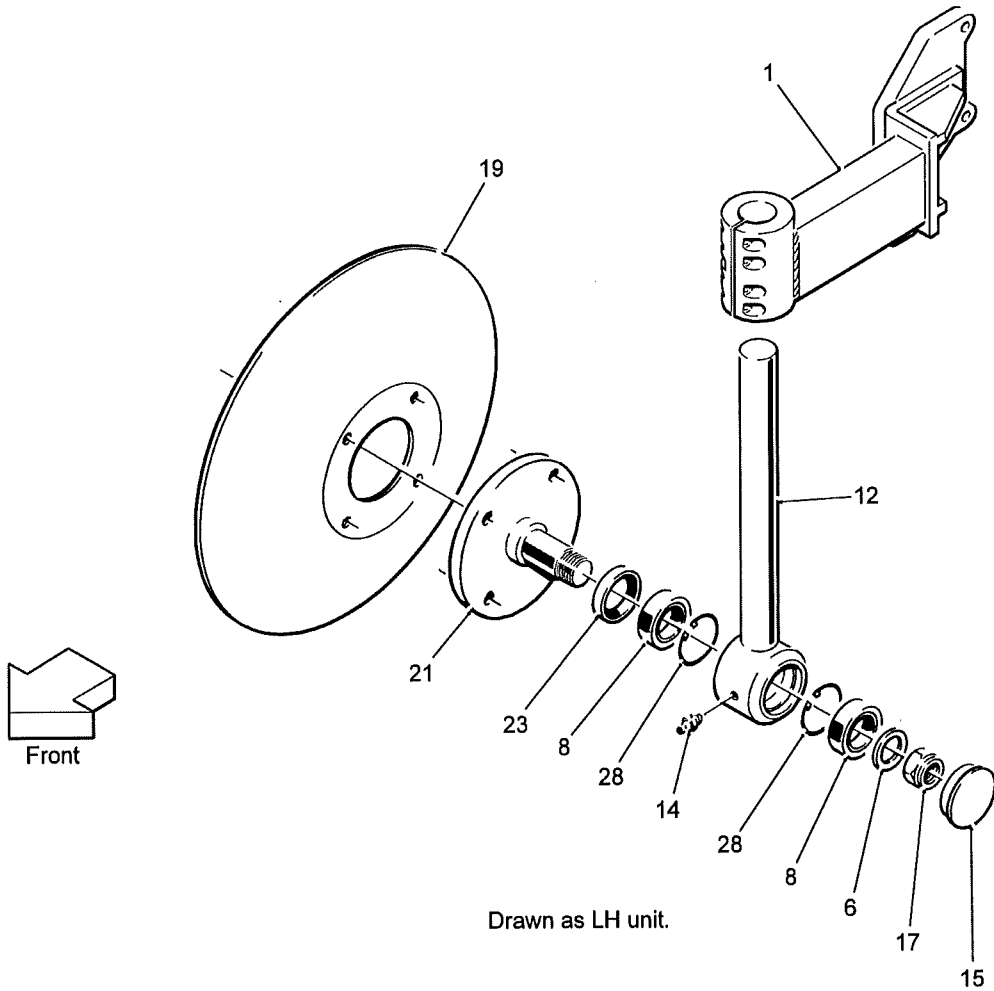
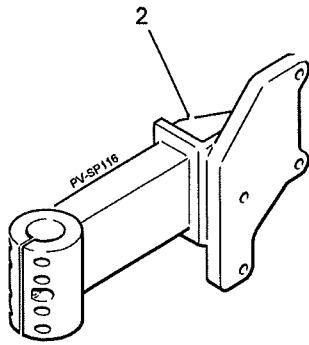
Item	Part No.	Description	Qty.	Remarks
1	43048	Adjustable Link	1	
2				
3	DW208007970	Adjustable Link	3	
4	DW222008073	M12 Fine x35 CSK Nibbed Bolt	40	
5				
6				
7	DWS113	M12 Fine Whiz-locknut	40	
8	DWS579	Frog	1	
9				
10				
11	DWS1350	Mouldboard LH	1	
12	DWS1351	Mouldboard RH	1	
13	DWS1352	Wear Plate LH	1	
14	DWS1353	Wear Plate RH	1	
15	DWS1354	Shaper Wing LH	1	
16	DWS1355	Shaper Wing RH	1	
17	DWS1359	Link Support Plate	6	
18	DWS1400	Lower Board	1	
19	DWS1401	Lower Middle Board	1	
20	DWS1402	Upper Middle Board	1	
21	DWS1403	Upper Board	1	
22	DWS1404	Support LH	1	
23	DWS1405	Support RH	1	
24	DWS1406	Support Bracket	2	
25	DWS1407	Link Plate	1	
26	DWS1416	Shaper Mounting Bracket	2	
27	DWS1417	Shaper Hinge Bracket	2	
28				
29	DW801084	Mole	1	Option
30	DWS330	Tracking Fin	1	Option
		<b>Standard Wear Point Consists Of:</b>		
40	DWS1392	Large Wear Point	1	
41				
42	DWS113	M12 Fine Whiz-locknut	2	
43	DWS932	Grey Board Washer	4	
44	DW222008073	M12 Fine x35 CSK Nibbed Bolt	4	
45	DW307512055	M12 Fine Nyloc Nut	2	
		<b>Optional Wear Point Consists Of:</b>		
50	DW801276	Point	1	
51	DW801277	Wing RH	1	
52	DW801278	Wing LH	1	
53				
54	DWS113	M12 Fine Whiz-locknut	4	
55	DWS932	Grey Board Washer	4	
56	DW222008020	M12 Fine x32 Taper Head Bolt	2	
57	DW222008077	M12 Fine x37 Taper Head Bolt	4	
58	DW307512055	M12 Fine Nyloc Nut	2	

Square Sided Furrower Assembly  
Assy No DWS1415





Ø18" Intake Discs (gearcase mounted)  
Assy No RPA580.309454/5B



**2.35a****POWAVATOR 400 SPARE PARTS****Ø18" Intake Discs (gearcase mounted)****Assy No RPA580.309454/5B**

Item	Part No.	Description	Qty.	Remarks
1	DWS1469A	Disc Mounting Arm LH	1	
2	DWS1470A	Disc Mounting Arm RH	1	
3				
4				
5				
6	22046030B	M30 Flat Washer	2	
7				
8	60072RS	Bearing	4	
9				
10				
11				
12	RPA610.307364	Disc Shank	2	
13				
14	RPC648.081250	M8 Grease Nipple Straight	2	
15	RPC700.300441	Plastic End Cap	2	
16				
17	RPF180.230000	M30 Special Lock Nut	2	
18				
19	RPGMRP089.01825	Ø18" Concave Disc	2	
20				
21	RPM180.300241	Disc Spindle	2	
22				
23	RPS200.406810	Oil Seal	2	
24				
25				
26				
27				
28	W0168	Ø62 Internal Circlip	4	