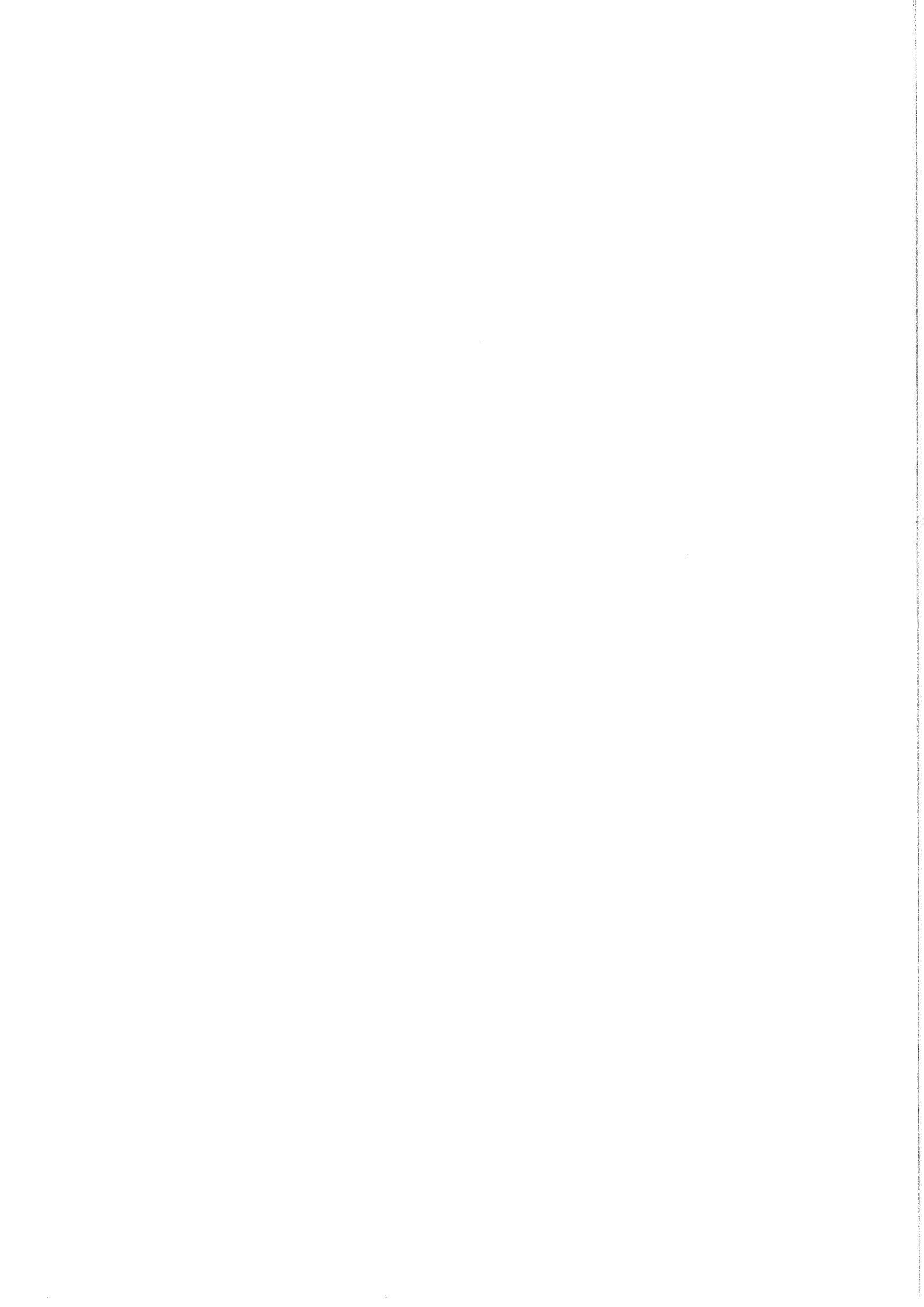


CONTENTS

POWAVATOR 400 (with high speed gearbox) SPARE PARTS

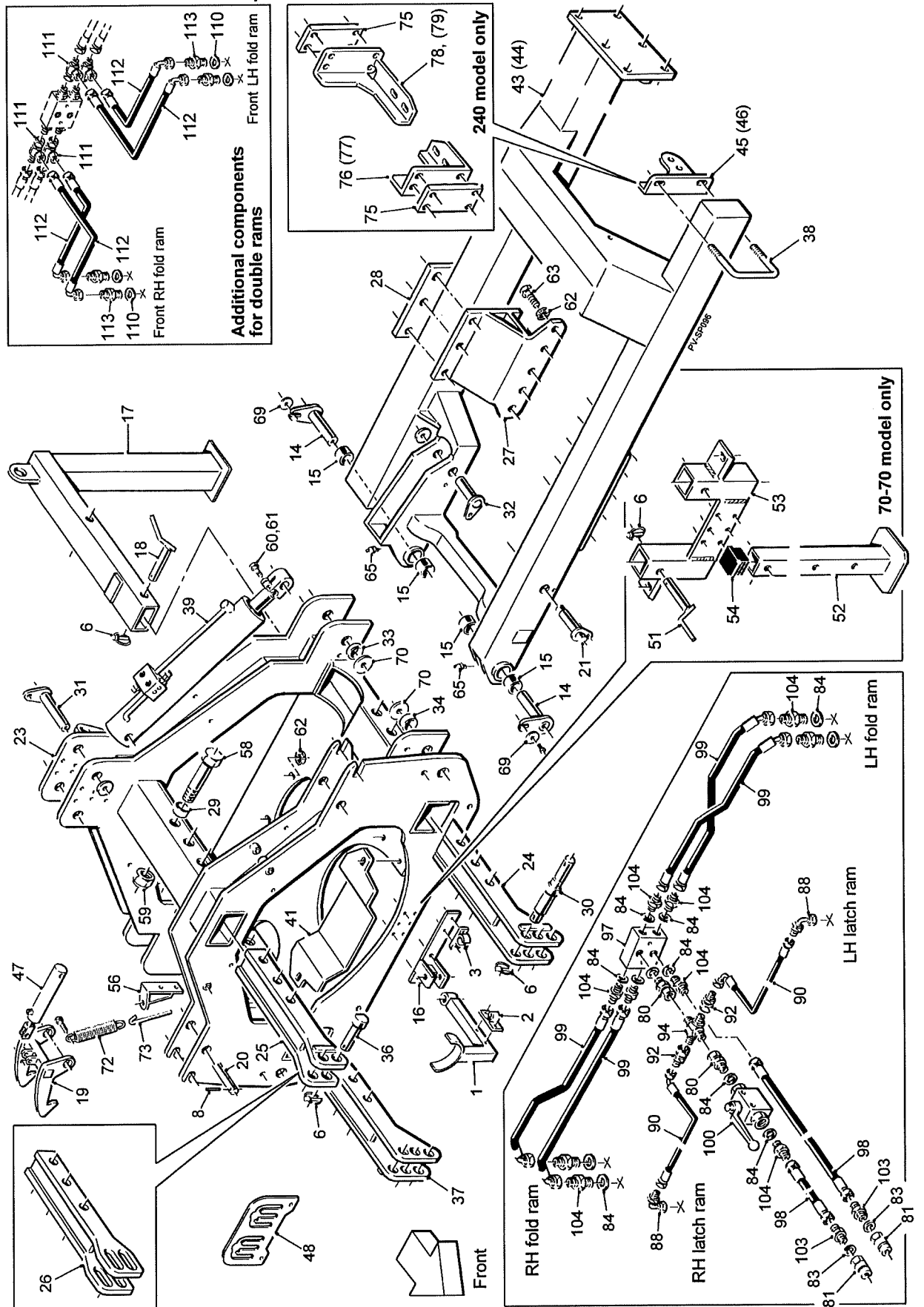
Centre Frame and Hull Mountings	2.1
LH Hull Assembly (200,240 models)	2.3
RH Hull Assembly (200,240 models)	2.4
LH Hull Assembly (70-70 models)	2.5
RH Hull Assembly (70-70 models)	2.6
Spike Rotor Assemblies	2.7
Blade Rotor Assemblies	2.8
Rapid-Pin Blade Rotor Assemblies	2.9
Centre Gearbox	2.11
PTO Drive Coupling	2.12
Jackshaft Drive Couplings	2.12
Rear Depth Control Wheels	3.1
Front Depth Control Wheels	3.2
Ø26" Intake Discs (wing beam mounted)	3.3
Ø18" Intake Discs (gearcase mounted)	3.4
Centre Divider	3.5
Parallel Linkage	3.6
Furrower Legs	3.7
Furrower Bodies	3.8
Square Sided Furrower Bodies	3.9
Disc Markers	3.10
Disc Marker Individual Operation Hydraulics	4.1
Disc Marker Dual Operation Hydraulics	4.2
Parallel Linkage Individual Operation Hydraulics	4.3
Parallel Linkage Dual Operation Hydraulics	4.4
Parallel Linkage/Disc Marker Hydraulics	4.5
Auto-Reset Hydraulics	4.6
Road Light Kit	4.10
Packer Roller & Crumbler Roller Assemblies	5.1
Spring-Loaded Eradicator Tine Assembly	5.2
Bed Forming Kit	5.3
Convex Body Extension kit	5.5
2-Bodied Bedformer Frame Mounting Kit	5.6
4-Bodied Bedformer Hydraulic Linkage	5.7

Note: When using the following pages to order replacement parts, please quote the full serial number of your machine.



Centre Frame and Hull Mountings (70-70, 200, 240)

Assy No DWS1318



2.1a

POWAVATOR 400 SPARE PARTS

Centre Frame and Hull Mountings (70-70, 200, 240)

Assy No DWS1318

Item	Part No.	Description	Qty.	Remarks
1	45063	PTO Support	1	
2	45103A	Male Clip	1	
3	45103B	Female Clip	1	
4				
5				
6	DW50934	Clip Pin	5	Qty x7 on 70-70
7				
8	22067006/050	Ø6x50 Roll Pin	4	
9				
10				
11				
12				
13				
14	DWS167	Pivot Pin	4	
15	DWS171	Nylon Bush	8	
16	DWS301	PTO Support Mounting	1	
17	DWS308	Stand	2	
18	DWS309	Stand Pin	2	
19	DWS361A	Latch	2	
20	DWS362	Latch Pin	2	
21	DWS363	Retaining Pin	2	
22				
23	DWS518	Centre Frame	1	
	DWS518A	Double Ram Mounting (weld-on)	1	For double fold rams
24	DWS521	Lower Link Arm LH	1	
25	DWS522	Fixed Top Link Arm	1	
26	DWS522B	Floating Top Link Arm	1	For packer roller & depth wheels
27	DWS523	Rear Hull Mounting	2	
28	DWS524	Clamp Plate	2	
29	DWS527	Spacer	6	
30	DWS535	Lower Link Pin	2	
31	DWS542	Ram Body Pin	2	Qty x4 on double ram m/c
32	DWS543	Ram Piston Pin	2	Qty x4 on double ram m/c
33	DWS544	Spacer (13mm)	2	
34	DWS545	Spacer (18mm)	2	
35				
36	DWS599	Top Link Pin (CAT3)	1	
37	DWS701	Lower Link Arm RH	1	
38	DWS757	M16 'U' Bolt	2	Used on 200 & 70-70 only
39	DWS817	Hydraulic Ram (c/w over-centre valve)	2	Qty x4 on double ram m/c
40				
41	DWS1278	Dirt Shield	1	
42				
43	DWS1309	Wing LH (single ram)	1	
	DWS1309A	Wing LH (double ram)	1	
44	DWS1310	Wing RH (single ram)	1	(not shown)
	DWS1310A	Wing RH (double ram)	1	(not shown)
45	DWS1339	Front Hull Support LH	1	Used on 200 & 70-70 only
46	DWS1340	Front Hull Support RH (not shown)	1	Used on 200 & 70-70 only
47	DWS1363	Hydraulic Ram (spring-loaded)	2	
48	DWS1380A	Hose Carrier Plate	1	Was DWS1380
49				

POWAVATOR 400 SPARE PARTS

2.1b

Centre Frame and Hull Mountings (70-70, 200, 240)

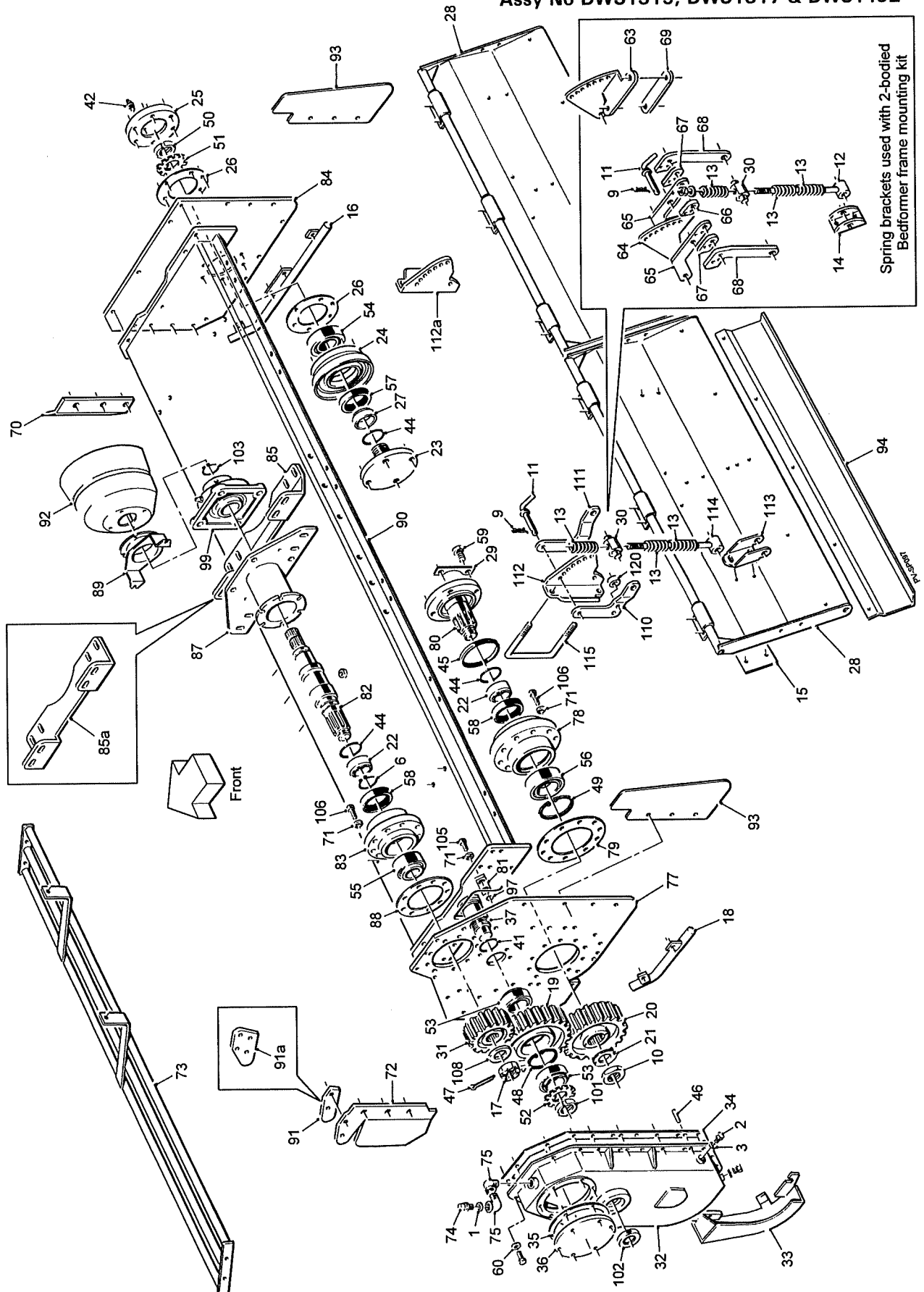
Assy No DWS1318

Item	Part No.	Description	Qty.	Remarks
50				
51	DWS597	Stand Pin	2	Used on 70-70 only
52	DWS813	Stand	2	Used on 70-70 only
53	DWS848	Front Stand Bracket	1	Used on 70-70 only
54	DWS871	Plasic Insert (70mm x 70mm)	2	Used on 70-70 only
55				
56	64957	Anchor Bracket	2	
57				
58	22012030/200	M30x200 Bolt	6	
59	22041030	M30 Nyloc Nut	6	
60	22107010/050	M10x50 Fine Thread Bolt	2	
61	22109010	M10 Fine Thread Nut	2	
62	22121020	M20 Nordlock Washer	16	
63	22116020/040HT	M20x40 Fine Setscrew (grade 12.9)	16	
64				
65	GS412	1/8"BSP Grease Nipple Straight	8	
66				
67				
68				
69	SS040013/005	Steel Spacer	4	
70	SS060018/005	Steel Spacer	4	
71				
72	RPC676.302597	Tension Spring	2	
73	RPF128.110130	M10 Hook Bolt	2	
74				
75	DWS526	Clamp Plate	4	Used on 240 only
76	DWS586	Front Support LH	1	Used on 240 only
77	DWS587	Front Support RH (not show)	1	Used on 240 only
78	DWS617	Rear Support LH	1	Used on 240 only
79	DWS618	Rear Support RH (not shown)	1	Used on 240 only
		Hydraulic Components Consist Of:		
80	10128	3/8"BSP M F Swivel Adaptor	2	
81	10140	1/2"BSP Male Quick Release Coupling	2	
82				
83	11124	1/2"BSP Dowty Seal	2	
84	11125	3/8"BSP Dowty Seal	12	
85				
86				
87				
88	12378	1/4"BSP M F Swept 90°Adaptor	2	
89				
90	13188	1/4"Hose Assembly (1000mm)	2	
91				
92	27894	1/4"BSPMx3/8"BSPF Swivel Adaptor	2	
93				
94	52246	3/8"BSP Male Cross	1	
95				
96				
97	DW801992	3/8"BSP Junction Block	1	
98	DW802591	3/8"Hose Assembly (2000mm)	2	
99	DW802593	3/8"Hose Assembly (450mm)	4	

2.1c**POWAVATOR 400 SPARE PARTS****Centre Frame and Hull Mountings (70-70, 200, 240)****Assy No DWS1318**

Item	Part No.	Description	Qty.	Remarks
100	DW202046270	3/8"BSP 2-Way Ball Valve	1	
101				
102				
103	UC25	3/8"BSPx1/2"BSP M M Adaptor	2	
104	UC31A	3/8"BSP M M Adaptor	10	
		Additional Hydraulic Components for Double Rams Consist Of:		
110	11125	3/8"BSP Dowty Seal	4	
111	46939	3/8"BSP F M M Tee	4	
112	52102	3/8"Hose Assembly (650mm)	4	
113	UC31A	3/8"BSP M M Adaptor	4	

LH Hull Assembly (200, 240 models) Assy No DWS1315, DWS1317 & DWS1492



2.3a

POWAVATOR 400 SPARE PARTS

LH Hull Assembly (200, 240 models)

Assy No DWS1315, DWS1317 & DWS1492

Item	Part No.	Description	Qty.	Remarks
1	11123	3/4"BSP Dowty Seal	1	
2	11876/8	1/4"BSP Plug	2	Was 11292 (1/8"BSP)
3	11337	1/4"BSP Dowty Seal	2	Was 11294 (1/8"BSP)
4				
5				
6	56191	Ø70 External Circlip	1	
7				
8				
9	DW330237	'R'Clip	2	
10	DW650018	Special Nut	1	
11	DW650113	Pin	2	
12	DW650120	Spring Bar	2	Used with bedformer frame only
13	DW650124	Spring	6	
14	DW650125	Support Bracket	2	Used with bedformer frame only
15	DW650784	Backing Plate	2	
16	DW800168	Skid RH (long)	1	
17	DW800330	M40 Castellated Nut	1	
18	DW800380	Skid LH (short)	1	
19	DW800384	35T Idler Gear	1	
20	DW800387	30T Rotor Drive Gear	1	
21	DW800388	Tab Washer	1	
22	DW800389	Oil Seal Spacer (22mm)	2	
23	DW800412	Rotor Stub Shaft	1	
24	DW800413	Bearing Housing	1	
25	DW800414	Cover Plate	1	
26	DW800415	Gasket	2	
27	DW800416	Oil Seal Spacer (19mm)	1	
28	DW800420	Trailing Board	2	200 model
	DW800419	Trailing Board	2	240 model
29	DW800499	Tab Washer	4	
30	DW801282	Trunnion	2	
31	DW803822	19T Jackshaft Gear	1	
32	DWS1452	Gearcase LH	1	
33	DW804182	Ground Skid LH	1	
34	DW804189	Gearcase Gasket	1	
35	DW804190	Gear Cover Gasket	1	
36	DW804191	Gear Cover	1	
37	DWS1454	Idler Shaft	1	
38				
39				
40				
41	DW202025700	'O'Ring (Ø2.425"x0.103")	1	
42	DW202030580	1/4"UNF Grease Nipple	1	
43				
44	DW202071150	'O'Ring (Ø69.5x3mm)	3	
45	DW202072470	'V'Seal (Ø140)	1	
46	DW208013570	Dowel Pin	4	
47	DW208016760	Split Pin (Ø5x80)	1	
48	DW208101570	Internal Circlip (Ø112)	1	
49	DW208101630	Internal Circlip (Ø140)	1	
50	DW208109300	M55 Lock Nut	1	
51	DW208109310	Locking Washer (Ø55)	1	
52	DW208109490	Locking Washer (Ø60)	1	
53	DW252644121	Taper Roller Bearing	2	

POWAVATOR 400 SPARE PARTS

2.3b

LH Hull Assembly (200, 240 models)

Assy No DWS1315, DWS1317 & DWS1492

Item	Part No.	Description	Qty.	Remarks
54	DW256013311	Bearing	1	
55	DW256512411	Bearing	1	
56	DW256514591	Bearing	1	
57	DW261185131	Oil Seal (110x85x13mm)	1	
58	DW261185181	Oil Seal (110x85x18mm)	2	
59	DW331320350	M20 x35 Special Setscrew	8	
60	DW308100120	M10 'Schnorr' Washer	21	
61				
62				
63	DWS206	LH Bracket	1	Used with bedformer frame only
64	DWS207	RH Bracket	1	Used with bedformer frame only
65	DWS208	Pivot Arm	4	Used with bedformer frame only
66	DWS209	Centre Spacer	2	Used with bedformer frame only
67	DWS210	Side Spacer	4	Used with bedformer frame only
68	DWS211	Trunnion Arm	4	Used with bedformer frame only
69	DWS212	Clamp Strip	2	Used with bedformer frame only
70	DWS214	RH Wear Plate	1	
71	DWS503	Dubo Retaining Ring M12	22	
72	DWS528	LH Wear Plate	1	
73	DWS530	100" Front Guard LH	1	200 model
	DWS322	120" Front Guard LH	1	240 model
74	DWS538	3/4"BSP Breather	1	
75	DWS605	3/4"BSP 90°Elbow	2	
76				
77	DWS1293	Gearcase Backplate	1	
78	DWS1294	Bearing Housing	1	
79	DWS1295	Gasket	1	
80	DWS1296	Rotor Drive Shaft	1	
81	DWS1297	Idler Shaft Retainer	1	
82	DWS1298	Jackshaft	1	
83	DWS1299	Bearing Housing	1	
84	DWS1300	Side plate	1	
85	DWS1301	Jackshaft Housing Support	1	
85a	DWS1301A	Jackshaft Housing Support	1	
86				
87	DWS1302	Jackshaft Housing LH	1	
88	DWS1306	Gasket	1	
89	DWS1307	Guard Mount	1	
90	DWS1308	100"Hull	1	
	DWS1485	120"Hull	1	
91	DWS1311	Guard Spacer	1	
91a	DWS1311A	Guard Spacer	1	
92	DWS1328	Driveshaft Guard	1	
93	DWS1368	Side Shield	2	
94	DWS1426	Trailing Board Extension	2	200 model
	DWS1483	Trailing Board Extension	2	240 model
95				
96				
97	RPGM246540	'O'Ring (Ø12x2mm)	2	
98				
99	MSF65	Bearing	1	
100				

2.3c

POWAVATOR 400 SPARE PARTS

LH Hull Assembly (200, 240 models)

Assy No DWS1315, DWS1317 & DWS1492

Item	Part No.	Description	Qty.	Remarks
101	RFB01032	Shaft Nut	1	
102	RPS200.458513	Oil Seal	1	
103	RPF200.065250	Ø65 External Circlip	1	
104				
105	22015012/025	M12x25 Cap Screw	2	
106	22015012/035	M12x35 Cap Screw	25	
107				
108	22046039B	M39 Flat Washer	1	
109				
110	DWS1427	Trunnion Arm LH	2	
111	DWS1428	Trunnion Arm RH	2	
112	DWS1429	Selector Plate LH	1	
112a	DWS1430	Selector Plate RH	1	
113	DWS1431	Support Bracket	2	
114	DWS1432	Spring Rod	2	
115	DWS1433	M16 'U' Bolt	2	
116				
117				
118				
119				
120	SS025013/012	Steel Spacer	2	

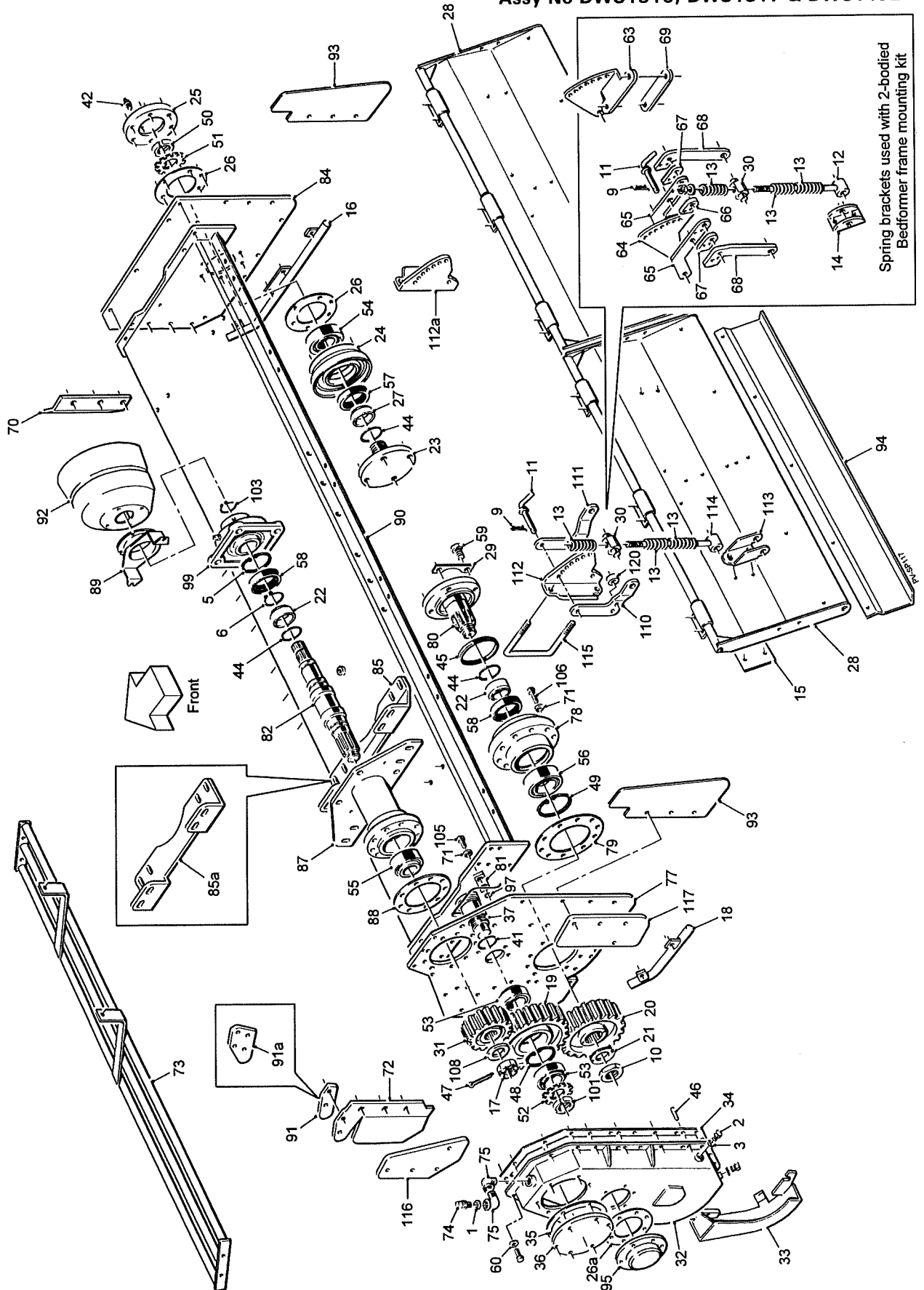
POWAVATOR 400 SPARE PARTS

2.3

Machines from Serial No PV400200-1034

LH Hull Assembly (200, 240 models)

Assy No DWS1315, DWS1317 & DWS1492



2.3a

POWAVATOR 400 SPARE PARTS

Machines from Serial No PV400200-1034

LH Hull Assembly (200, 240 models)

Assy No DWS1315, DWS1317 & DWS1492

Item	Part No.	Description	Qty.	Remarks
1	11123	3/4" BSP Dowty Seal	1	
2	11876/8	1/4" BSP Plug	2	
3	11337	1/4" BSP Dowty Seal	2	
4				
5	45042	Ø110 Internal Circlip	1	
6	56191	Ø70 External Circlip	1	
7				
8				
9	DW330237	'R' Clip	2	
10	DW650018	Special Nut	1	
11	DW650113	Pin	2	
12	DW650120	Spring Bar	2	Used with bedformer frame only
13	DW650124	Spring	6	
14	DW650125	Support Bracket	2	Used with bedformer frame only
15	DW650784	Backing Plate	2	
16	DW800168	Skid RH (long)	1	
17	DW800330	M40 Castellated Nut	1	
18	DW800380	Skid LH (short)	1	
19	DW800384	35T Idler Gear	1	
20	DW800387	30T Rotor Drive Gear	1	
21	DW800388	Tab Washer	1	
22	DW800389	Oil Seal Spacer (22mm)	2	
23	DW800412	Rotor Stub Shaft	1	
24	DW800413	Bearing Housing	1	
25	DW800414	Cover Plate	1	
26	DW800415	Gasket (Ø110 hole)	2	
26a	DW800415A	Gasket (Ø121 hole)	1	
27	DW800416	Oil Seal Spacer (19mm)	1	
28	DW800420	Trailing Board	2	200 model
	DW800419	Trailing Board	2	240 model
29	DW800499	Tab Washer	4	
30	DW801282	Trunnion	2	
31	DW803822	19T Jackshaft Gear	1	
32	DWS1452A	Gearcase LH	1	
33	DW804182	Ground Skid LH	1	
34	DW804189	Gearcase Gasket	1	
35	DW804190	Gear Cover Gasket	1	
36	DW804191	Gear Cover	1	
37	DWS1454	Idler Shaft	1	
38				
39				
40				
41	DW202025700	'O'Ring (Ø2.425"x0.103")	1	
42	DW202030580	1/4" UNF Grease Nipple	1	
43				
44	DW202071150	'O'Ring (Ø69.5x3mm)	3	
45	DW202072470	'V' Seal (Ø140)	1	
46	DW208013570	Dowel Pin	4	
47	DW208016760	Split Pin (Ø5x80)	1	
48	DW208101570	Internal Circlip (Ø112)	1	
49	DW208101630	Internal Circlip (Ø140)	1	
50	DW208109300	M55 Lock Nut	1	
51	DW208109310	Locking Washer (Ø55)	1	
52	DW208109490	Locking Washer (Ø60)	1	
53	DW252644121	Taper Roller Bearing	2	

POWAVATOR 400 SPARE PARTS**2.3b**

Machines from Serial No PV400200-1034

LH Hull Assembly (200, 240 models)

Assy No DWS1315, DWS1317 & DWS1492

Item	Part No.	Description	Qty.	Remarks
54	DW256013311	Bearing	1	
55	DW256512411	Bearing	1	
56	DWS432	Bearing	1	
57	DW261185131	Oil Seal (110x85x13mm)	1	
58	DW261185181	Oil Seal (110x85x18mm)	2	
59	DW331320350	M20 x35 Special Setscrew	8	
60	DW308100120	M10 'Schnorr' Washer	21	
61				
62				
63	DWS206	LH Bracket	1	Used with bedformer frame only
64	DWS207	RH Bracket	1	Used with bedformer frame only
65	DWS208	Pivot Arm	4	Used with bedformer frame only
66	DWS209	Centre Spacer	2	Used with bedformer frame only
67	DWS210	Side Spacer	4	Used with bedformer frame only
68	DWS211	Trunnion Arm	4	Used with bedformer frame only
69	DWS212	Clamp Strip	2	Used with bedformer frame only
70	DWS214	RH Wear Plate	1	
71	DWS503	Dubo Retaining Ring M12	22	
72	DWS528	LH Wear Plate	1	
73	DWS530	100" Front Guard LH	1	200 model
	DWS322	120" Front Guard LH	1	240 model
74	DWS538	3/4"BSP Breather	1	
75	DWS605	3/4"BSP 90°Elbow	2	
76				
77	DWS1293	Gearcase Backplate	1	
78	DWS1294	Bearing Housing	1	
79	DWS1295	Gasket	1	
80	DWS1296	Rotor Drive Shaft	1	
81	DWS1297	Idler Shaft Retainer	1	
82	DWS1298A	Jackshaft	1	
83				
84	DWS1300	Side plate	1	
85	DWS1301	Jackshaft Housing Support	1	
85a	DWS1301A	Jackshaft Housing Support	1	
86				
87	DWS1302A	Jackshaft Housing LH	1	
88	DWS1306	Gasket	1	
89	DWS1307	Guard Mount	1	
90	DWS1308	100"Hull	1	
	DWS1485	120"Hull	1	
91	DWS1311	Guard Spacer	1	
91a	DWS1311A	Guard Spacer	1	
92	DWS1328	Driveshaft Guard	1	
93	DWS1368	Side Shield	2	
94	DWS1426	Trailing Board Extension	2	200 model
	DWS1483	Trailing Board Extension	2	240 model
95	DWS1535	Support Boss	1	
96				
97	RPGM246540	'O'Ring (Ø12x2mm)	1	
98				
99	MSF65	Bearing	1	
100				

2.3c**POWAVATOR 400 SPARE PARTS**

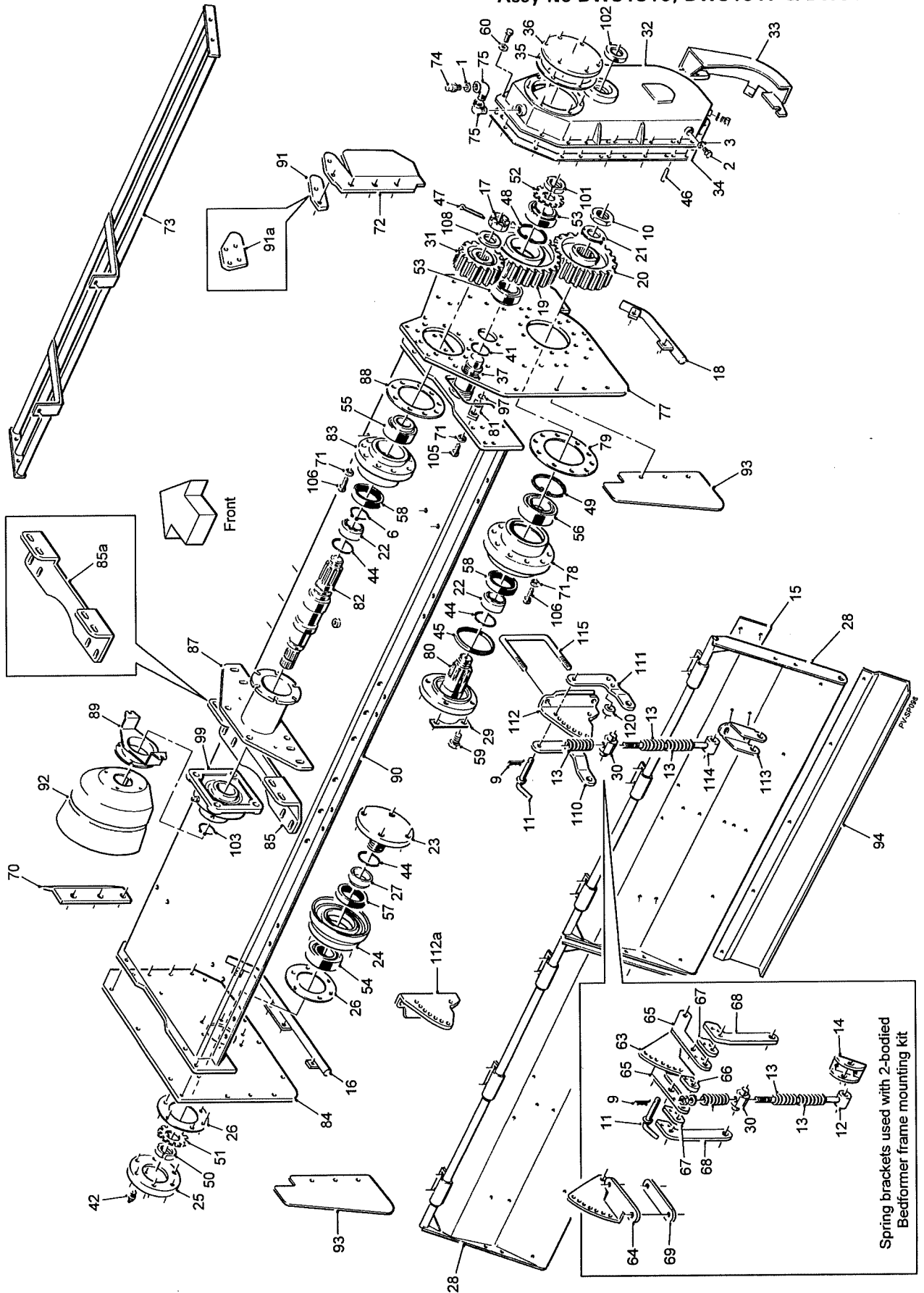
Machines from Serial No PV400200-1034

LH Hull Assembly (200, 240 models)

Assy No DWS1315, DWS1317 & DWS1492

Item	Part No.	Description	Qty.	Remarks
101	RFB01032	Shaft Nut	1	
102				
103	RPF200.065250	Ø65 External Circlip	1	
104				
105	22015012/025	M12x25 Cap Screw	2	
106	22015012/035	M12x35 Cap Screw	25	
107				
108	22046039B	M39 Flat Washer	1	
109				
110	DWS1427	Trunnion Arm LH	2	
111	DWS1428	Trunnion Arm RH	2	
112	DWS1429	Selector Plate LH	1	
112a	DWS1430	Selector Plate RH	1	
113	DWS1431	Support Bracket	2	
114	DWS1432	Spring Rod	2	
115	DWS1433	M16 'U' Bolt	2	
116	DWS1531	Strengthener Plate Front	1	
117	DWS1532	Strengthener Plate Rear	1	
118				
119				
120	SS025013/012	Steel Spacer	2	

RH Hull Assembly (200, 240 models) Assy No DWS1316, DWS1317 & DWS1492



2.4a

POWAVATOR 400 SPARE PARTS

RH Hull Assembly (200, 240 models)

Assy No DWS1316, DWS1317 & DWS1492

Item	Part No.	Description	Qty.	Remarks
1	11123	3/4" BSP Dowty Seal	1	
2	11876/8	1/4" BSP Plug	2	Was 11292 (1/8" BSP)
3	11337	1/4" BSP Dowty Seal	2	Was 11294 (1/8" BSP)
4				
5				
6	56191	Ø70 External Circlip	1	
7				
8				
9	DW330237	'R' Clip	2	
10	DW650018	Special Nut	1	
11	DW650113	Pin	2	
12	DW650120	Spring Bar	2	Used with bedformer frame only
13	DW650124	Spring	6	
14	DW650125	Support Bracket	2	Used with bedformer frame only
15	DW650784	Backing Plate	2	
16	DWS197	Skid LH (long)	1	
17	DW800330	M40 Castellated Nut	1	
18	DWS196	Skid RH (short)	1	
19	DW800384	35T Idler Gear	1	
20	DW800387	30T Rotor Drive Gear	1	
21	DW800388	Tab Washer	1	
22	DW800389	Oil Seal Spacer (22mm)	2	
23	DW800412	Rotor Stub Shaft	1	
24	DW800413	Bearing Housing	1	
25	DW800414	Cover Plate	1	
26	DW800415	Gasket	2	
27	DW800416	Oil Seal Spacer (19mm)	1	
28	DW800420	Trailing Board	2	200 model
	DW800419	Trailing Board	2	240 model
29	DW800499	Tab Washer	4	
30	DW801282	Trunnion	2	
31	DW803822	19T Jackshaft Gear	1	
32	DWS1453	Gearcase RH	1	
33	DW804182A	Ground Skid RH	1	
34	DW804189	Gearcase Gasket	1	
35	DW804190	Gear Cover Gasket	1	
36	DW804191	Gear Cover	1	
37	DWS1454	Idler Shaft	1	
38				
39				
40				
41	DW202025700	'O' Ring (Ø2.425"x0.103")	1	
42	DW202030580	1/4" UNF Grease Nipple	1	
43				
44	DW202071150	'O' Ring (Ø69.5x3mm)	3	
45	DW202072470	'V' Seal (Ø140)	1	
46	DW208013570	Dowel Pin	4	
47	DW208016760	Split Pin (Ø5x80)	1	
48	DW208101570	Internal Circlip (Ø112)	1	
49	DW208101630	Internal Circlip (Ø140)	1	
50	DW208109300	M55 Lock Nut	1	
51	DW208109310	Locking Washer (Ø55)	1	
52	DW208109490	Locking Washer (Ø60)	1	
53	DW252644121	Taper Roller Bearing	2	

POWAVATOR 400 SPARE PARTS

2.4b

RH Hull Assembly (200, 240 models)

Assy No DWS1316, DWS1317 & DWS1492

Item	Part No.	Description	Qty.	Remarks
54	DW256013311	Bearing	1	
55	DW256512411	Bearing	1	
56	DW256514591	Bearing	1	
57	DW261185131	Oil Seal (110x85x13mm)	1	
58	DW261185181	Oil Seal (110x85x18mm)	2	
59	DW331320350	M20 x35 Special Setscrew	8	
60	DW308100120	M10 'Schnorr' Washer	21	
61				
62				
63	DWS206	LH Bracket	1	Used with bedformer frame only
64	DWS207	RH Bracket	1	Used with bedformer frame only
65	DWS208	Pivot Arm	4	Used with bedformer frame only
66	DWS209	Centre Spacer	2	Used with bedformer frame only
67	DWS210	Side Spacer	4	Used with bedformer frame only
68	DWS211	Trunnion Arm	4	Used with bedformer frame only
69	DWS212	Clamp Strip	2	Used with bedformer frame only
70	DWS213	LH Wear Plate	1	
71	DWS503	Dubo Retaining Ring M12	22	
72	DWS529	RH Wear Plate	1	
73	DWS531	100" Front Guard RH	1	200 model
	DWS323	120" Front Guard RH	1	240 model
74	DWS538	3/4"BSP Breather	1	
75	DWS605	3/4"BSP 90°Elbow	2	
76				
77	DWS1293	Gearcase Backplate	1	
78	DWS1294	Bearing Housing	1	
79	DWS1295	Gasket	1	
80	DWS1296	Rotor Drive Shaft	1	
81	DWS1297	Idler Shaft Retainer	1	
82	DWS1298	Jackshaft	1	
83	DWS1299	Bearing Housing	1	
84	DWS1300	Side plate	1	
85	DWS1301	Jackshaft Housing Support	1	
85a	DWS1301A	Jackshaft Housing Support	1	
86				
87	DWS1303	Jackshaft Housing RH	1	
88	DWS1306	Gasket	1	
89	DWS1307	Guard Mount	1	
90	DWS1308	100"Hull	1	200 model
	DWS1486	120"Hull	1	240 model
91	DWS1311	Guard Spacer	1	
91a	DWS1311A	Guard Spacer	1	
92	DWS1328	Driveshaft Guard	1	
93	DWS1368	Side Shield	2	
94	DWS1426	Trailing Board Extension	2	200 model
	DWS1483	Trailing Board Extension	2	240 model
95				
96				
97	RPGM246540	'O'Ring (Ø12x2mm)	2	
98				
99	MSF65	Bearing	1	
100				

2.4c**POWAVATOR 400 SPARE PARTS****RH Hull Assembly** (200, 240 models)

Assy No DWS1316, DWS1317 & DWS1492

Item	Part No.	Description	Qty.	Remarks
101	RFB01032	Shaft Nut	1	
102	RPS200.458513	Oil Seal	1	
103	RPF200.065250	Ø65 External Circlip	1	
104				
105	22015012/025	M12x25 Cap Screw	2	
106	22015012/035	M12x35 Cap Screw	25	
107				
108	22046039B	M39 Flat Washer	1	
109				
110	DWS1427	Trunnion Arm LH	2	
111	DWS1428	Trunnion Arm RH	2	
112	DWS1430	Selector Plate RH	1	
112a	DWS1429	Selector Plate LH	1	
113	DWS1431	Support Bracket	2	
114	DWS1432	Spring Rod	2	
115	DWS1433	M16 'U' Bolt	2	
116				
117				
118				
119				
120	SS025013/012	Steel Spacer	2	

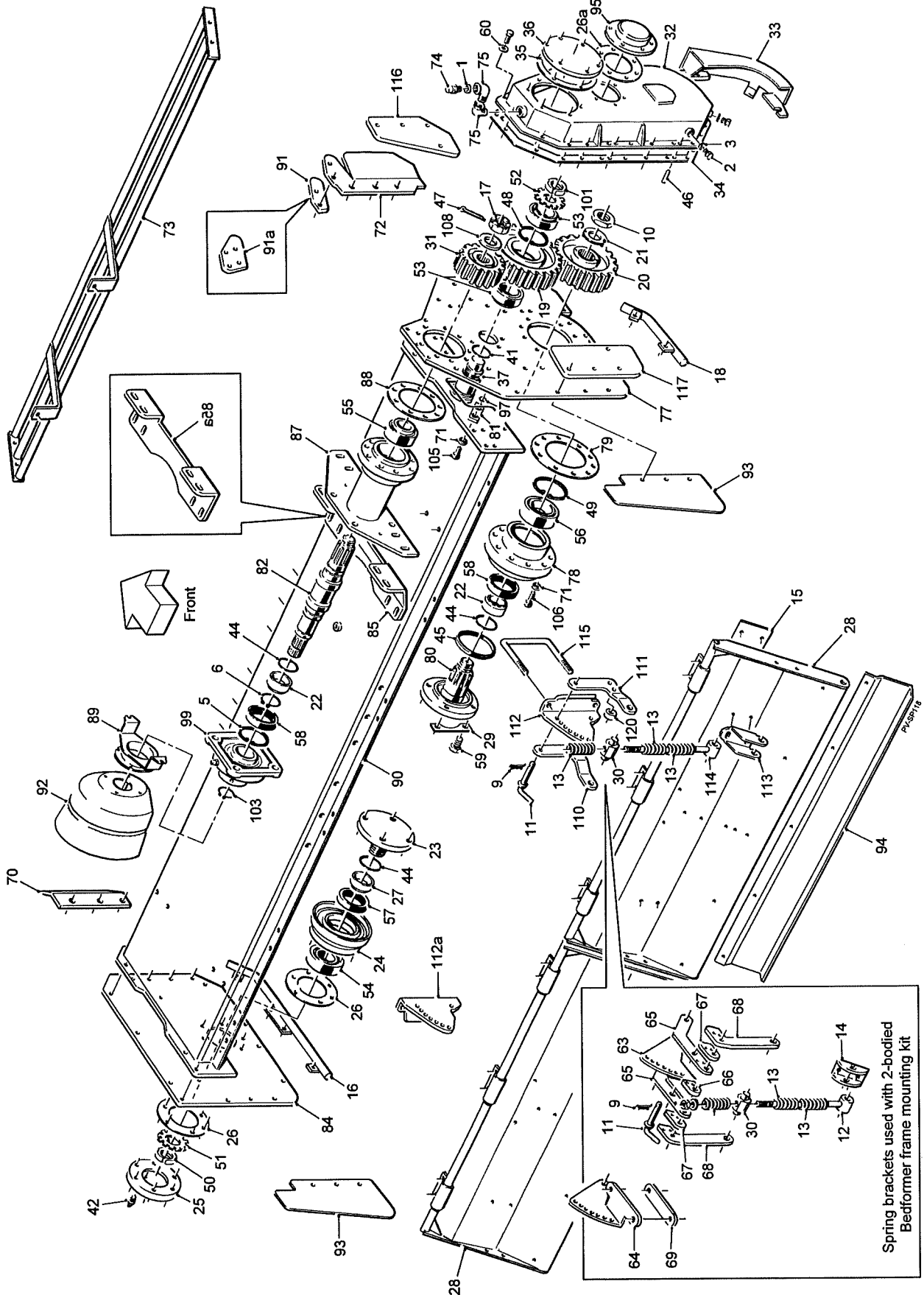
POWAVATOR 400 SPARE PARTS

2.4

Machines from Serial No PV400200-1034

RH Hull Assembly (200, 240 models)

Assy No DWS1316, DWS1317 & DWS1492



2.4a

POWAVATOR 400 SPARE PARTS

Machines from Serial No PV400200-1034

RH Hull Assembly (200, 240 models)

Assy No DWS1316, DWS1317 & DWS1492

Item	Part No.	Description	Qty.	Remarks
1	11123	3/4" BSP Dowty Seal	1	
2	11876/8	1/4" BSP Plug	2	
3	11337	1/4" BSP Dowty Seal	2	
4				
5	45042	Ø110 Internal Circlip	1	
6	56191	Ø70 External Circlip	1	
7				
8				
9	DW330237	'R'Clip	2	
10	DW650018	Special Nut	1	
11	DW650113	Pin	2	
12	DW650120	Spring Bar	2	Used with bedformer frame only
13	DW650124	Spring	6	
14	DW650125	Support Bracket	2	Used with bedformer frame only
15	DW650784	Backing Plate	2	
16	DWS197	Skid LH (long)	1	
17	DW800330	M40 Castellated Nut	1	
18	DWS196	Skid RH (short)	1	
19	DW800384	35T Idler Gear	1	
20	DW800387	30T Rotor Drive Gear	1	
21	DW800388	Tab Washer	1	
22	DW800389	Oil Seal Spacer (22mm)	2	
23	DW800412	Rotor Stub Shaft	1	
24	DW800413	Bearing Housing	1	
25	DW800414	Cover Plate	1	
26	DW800415	Gasket (Ø110 hole)	2	
26a	DW800415A	Gasket (Ø121 hole)	1	
27	DW800416	Oil Seal Spacer (19mm)	1	
28	DW800420	Trailing Board	2	200 model
	DW800419	Trailing Board	2	240 model
29	DW800499	Tab Washer	4	
30	DW801282	Trunnion	2	
31	DW803822	19T Jackshaft Gear	1	
32	DWS1453A	Gearcase RH	1	
33	DW804182A	Ground Skid RH	1	
34	DW804189	Gearcase Gasket	1	
35	DW804190	Gear Cover Gasket	1	
36	DW804191	Gear Cover	1	
37	DWS1454	Idler Shaft	1	
38				
39				
40				
41	DW202025700	'O'Ring (Ø2.425"x0.103")	1	
42	DW202030580	1/4" UNF Grease Nipple	1	
43				
44	DW202071150	'O'Ring (Ø69.5x3mm)	3	
45	DW202072470	'V'Seal (Ø140)	1	
46	DW208013570	Dowel Pin	4	
47	DW208016760	Split Pin (Ø5x80)	1	
48	DW208101570	Internal Circlip (Ø112)	1	
49	DW208101630	Internal Circlip (Ø140)	1	
50	DW208109300	M55 Lock Nut	1	
51	DW208109310	Locking Washer (Ø55)	1	
52	DW208109490	Locking Washer (Ø60)	1	
53	DW252644121	Taper Roller Bearing	2	

POWAVATOR 400 SPARE PARTS

2.4b

Machines from Serial No PV400200-1034

RH Hull Assembly (200, 240 models)

Assy No DWS1316, DWS1317 & DWS1492

Item	Part No.	Description	Qty.	Remarks
54	DW256013311	Bearing	1	
55	DW256512411	Bearing	1	
56	DWS432	Bearing	1	
57	DW261185131	Oil Seal (110x85x13mm)	1	
58	DW261185181	Oil Seal (110x85x18mm)	2	
59	DW331320350	M20 x35 Special Setscrew	8	
60	DW308100120	M10 'Schnorr' Washer	21	
61				
62				
63	DWS206	LH Bracket	1	Used with bedformer frame only
64	DWS207	RH Bracket	1	Used with bedformer frame only
65	DWS208	Pivot Arm	4	Used with bedformer frame only
66	DWS209	Centre Spacer	2	Used with bedformer frame only
67	DWS210	Side Spacer	4	Used with bedformer frame only
68	DWS211	Trunnion Arm	4	Used with bedformer frame only
69	DWS212	Clamp Strip	2	Used with bedformer frame only
70	DWS213	LH Wear Plate	1	
71	DWS503	Dubo Retaining Ring M12	22	
72	DWS529	RH Wear Plate	1	
73	DWS531	100" Front Guard RH	1	200 model
	DWS323	120" Front Guard RH	1	240 model
74	DWS538	3/4"BSP Breather	1	
75	DWS605	3/4"BSP 90°Elbow	2	
76				
77	DWS1293	Gearcase Backplate	1	
78	DWS1294	Bearing Housing	1	
79	DWS1295	Gasket	1	
80	DWS1296	Rotor Drive Shaft	1	
81	DWS1297	Idler Shaft Retainer	1	
82	DWS1298A	Jackshaft	1	
83				
84	DWS1300	Side plate	1	
85	DWS1301	Jackshaft Housing Support	1	
85a	DWS1301A	Jackshaft Housing Support	1	
86				
87	DWS1303A	Jackshaft Housing RH	1	
88	DWS1306	Gasket	1	
89	DWS1307	Guard Mount	1	
90	DWS1308	100"Hull	1	200 model
	DWS1486	120"Hull	1	240 model
91	DWS1311	Guard Spacer	1	
91a	DWS1311A	Guard Spacer	1	
92	DWS1328	Driveshaft Guard	1	
93	DWS1368	Side Shield	2	
94	DWS1426	Trailing Board Extension	2	200 model
	DWS1483	Trailing Board Extension	2	240 model
95	DWS1535	Support Boss	1	
96				
97	RPGM246540	'O'Ring (Ø12x2mm)	2	
98				
99	MSF65	Bearing	1	
100				

2.4c**POWAVATOR 400 SPARE PARTS**

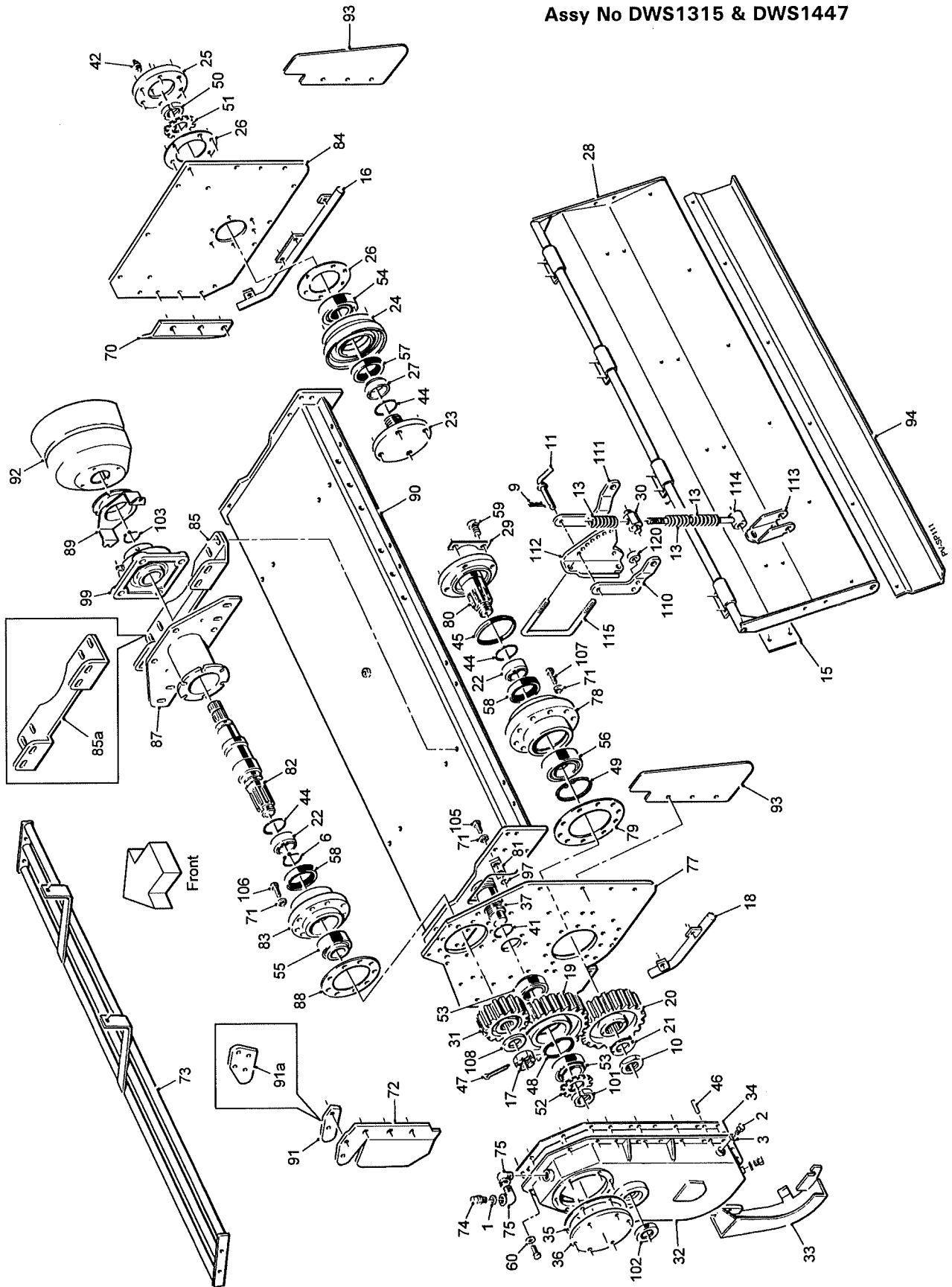
Machines from Serial No PV400200-1034

RH Hull Assembly (200, 240 models)

Assy No DWS1316, DWS1317 & DWS1492

Item	Part No.	Description	Qty.	Remarks
101	RFB01032	Shaft Nut	1	
102				
103	RPF200.065250	Ø65 External Circlip	1	
104				
105	22015012/025	M12x25 Cap Screw	2	
106	22015012/035	M12x35 Cap Screw	25	
107				
108	22046039B	M39 Flat Washer	1	
109				
110	DWS1427	Trunnion Arm LH	2	
111	DWS1428	Trunnion Arm RH	2	
112	DWS1430	Selector Plate RH	1	
112a	DWS1429	Selector Plate LH	1	
113	DWS1431	Support Bracket	2	
114	DWS1432	Spring Rod	2	
115	DWS1433	M16 'U' Bolt	2	
116	DWS1531	Strengthen Plate Front	1	
117	DWS1532	Strengthen Plate Rear	1	
118				
119				
120	SS025013/012	Steel Spacer	2	

LH Hull Assembly (70-70 models)
Assy No DWS1315 & DWS1447



2.5a

POWAVATOR 400 SPARE PARTS

LH Hull Assembly (70-70 models)

Assy No DWS1315 & DWS1447

Item	Part No.	Description	Qty.	Remarks
1	11123	3/4" BSP Dowty Seal	1	
2	11876/8	1/4" BSP Plug	2	
3	11337	1/4" BSP Dowty Seal	2	
4				
5				
6	56191	Ø70 External Circlip	1	
7				
8				
9	DW330237	'R' Clip	2	
10	DW650018	Special Nut	1	
11	DW650113	Pin	2	
12				
13	DW650124	Spring	6	
14				
15	DW650784	Backing Plate	2	
16	DW800168	Skid RH (long)	1	
17	DW800330	M40 Castellated Nut	1	
18	DW800380	Skid LH (short)	1	
19	DW800384	35T Idler Gear	1	
20	DW800387	30T Rotor Drive Gear	1	
21	DW800388	Tab Washer	1	
22	DW800389	Oil Seal Spacer (22mm)	2	
23	DW800412	Rotor Stub Shaft	1	
24	DW800413	Bearing Housing	1	
25	DW800414	Cover Plate	1	
26	DW800415	Gasket	2	
27	DW800416	Oil Seal Spacer (19mm)	1	
28	DW801016	Trailing Board	1	70-70 model
29	DW800499	Tab Washer	4	
30	DW801282	Trunnion	2	
31	DW803822	19T Jackshaft Gear	1	
32	DWS1452	Gearcase LH	1	
33	DW804182	Ground Skid LH	1	
34	DW804189	Gearcase Gasket	1	
35	DW804190	Gear Cover Gasket	1	
36	DW804191	Gear Cover	1	
37	DWS1454	Idler Shaft	1	
38				
39				
40				
41	DW202025700	'O' Ring (Ø2.425"x0.103")	1	
42	DW202030580	1/4" UNF Grease Nipple	1	
43				
44	DW202071150	'O' Ring (Ø69.5x3mm)	3	
45	DW202072470	'V' Seal (Ø140)	1	
46	DW208013570	Dowel Pin	4	
47	DW208016760	Split Pin (Ø5x80)	1	
48	DW208101570	Internal Circlip (Ø112)	1	
49	DW208101630	Internal Circlip (Ø140)	1	
50	DW208109300	M55 Lock Nut	1	
51	DW208109310	Locking Washer (Ø55)	1	
52	DW208109490	Locking Washer (Ø60)	1	
53	DW252644121	Taper Roller Bearing	2	

POWAVATOR 400 SPARE PARTS

2.5b

LH Hull Assembly (70-70 models)

Assy No DWS1315 & DWS1447

Item	Part No.	Description	Qty.	Remarks
54	DW256013311	Bearing	1	
55	DW256512411	Bearing	1	
56	DW256514591	Bearing	1	
57	DW261185131	Oil Seal (110x85x13mm)	1	
58	DW261185181	Oil Seal (110x85x18mm)	2	
59	DW331320350	M20 x35 Special Setscrew	8	
60	DW308100120	M10 'Schnorr' Washer	21	
61				
62				
63				
64				
65				
66				
67				
68				
69			2	
70	DWS214	RH Wear Plate	1	
71	DWS503	Dubo Retaining Ring M12	22	
72	DWS528	LH Wear Plate	1	
73	DWS533	Front Guard LH	1	70-70 model
74	DWS538	3/4" BSP Breather	1	
75	DWS605	3/4" BSP 90° Elbow	2	
76				
77	DWS1293	Gearcase Backplate	1	
78	DWS1294	Bearing Housing	1	
79	DWS1295	Gasket	1	
80	DWS1296	Rotor Drive Shaft	1	
81	DWS1297	Idler Shaft Retainer	1	
82	DWS1298	Jackshaft	1	
83	DWS1299	Bearing Housing	1	
84	DWS1300	Side plate	1	
85	DWS1301	Jackshaft Housing Support	1	
85a	DWS1301A	Jackshaft Housing Support	1	
86				
87	DWS1302	Jackshaft Housing LH	1	
88	DWS1306	Gasket	1	
89	DWS1307	Guard Mount	1	
90	DWS1446	Hull LH	1	70-70 model
91	DWS1311	Guard Spacer	1	
91a	DWS1311A	Guard Spacer	1	
92	DWS1328	Driveshaft Guard	1	
93	DWS1368	Side Shield	2	
94	DWS1484	Trailing Board Extension	1	70-70 model
95				
96				
97	RPGM246540	'O' Ring (Ø12x2mm)	2	
98				
99	MSF65	Bearing	1	
100				

2.5c**POWAVATOR 400 SPARE PARTS****LH Hull Assembly (70-70 models)****Assy No DWS1315 & DWS1447**

Item	Part No.	Description	Qty.	Remarks
101	RFB01032	Shaft Nut	1	
102	RPS200.458513	Oil Seal	1	
103	RPF200.065250	Ø65 External Circlip	1	
104				
105	22015012/025	M12x25 Cap Screw	2	
106	22015012/035	M12x35 Cap Screw	15	
107	22015012/040	M12x40 Cap Screw	10	
108	22046039B	M39 Flat Washer	1	
109				
110	DWS1427	Trunnion Arm LH	2	
111	DWS1428	Trunnion Arm RH	2	
112	DWS1429	Selector Plate LH	2	
113	DWS1431	Support Bracket	2	
114	DWS1432	Spring Rod	2	
115	DWS1433	M16 'U' Bolt	2	
116				
117				
118				
119				
120	SS025013/012	Steel Spacer	2	

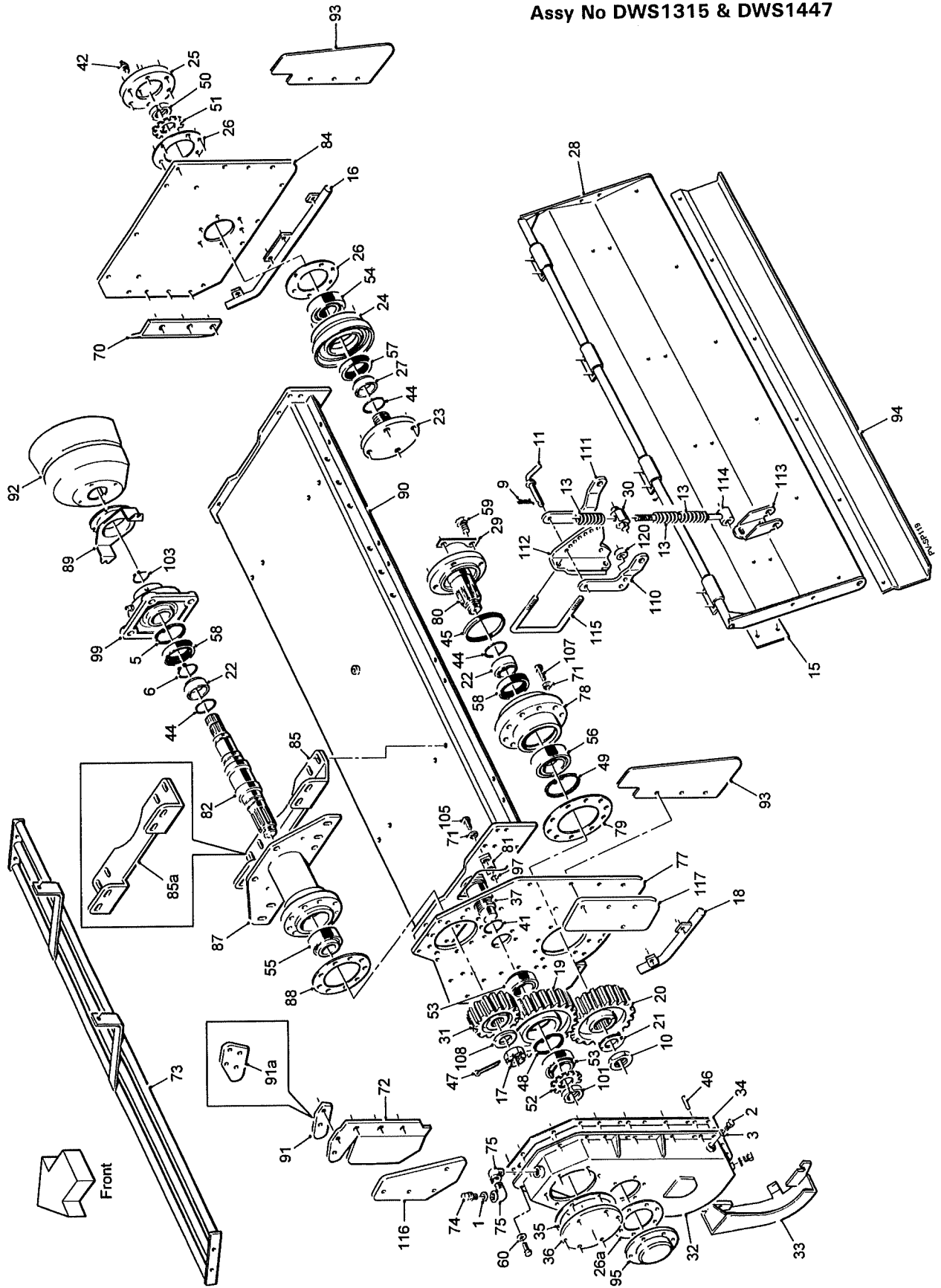
POWAVATOR 400 SPARE PARTS

2.5

Machines from Serial No PV400200-1034

LH Hull Assembly (70-70 models)

Assy No DWS1315 & DWS1447



2.5a

POWAVATOR 400 SPARE PARTS

Machines from Serial No PV400200-1034

LH Hull Assembly (70-70 models)

Assy No DWS1315 & DWS1447

Item	Part No.	Description	Qty.	Remarks
1	11123	3/4" BSP Dowty Seal	1	
2	11876/8	1/4" BSP Plug	2	
3	11337	1/4" BSP Dowty Seal	2	
4				
5	45042	Ø110 Internal Circlip	1	
6	56191	Ø70 External Circlip	1	
7				
8				
9	DW330237	'R' Clip	2	
10	DW650018	Special Nut	1	
11	DW650113	Pin	2	
12				
13	DW650124	Spring	6	
14				
15	DW650784	Backing Plate	2	
16	DW800168	Skid RH (long)	1	
17	DW800330	M40 Castellated Nut	1	
18	DW800380	Skid LH (short)	1	
19	DW800384	35T Idler Gear	1	
20	DW800387	30T Rotor Drive Gear	1	
21	DW800388	Tab Washer	1	
22	DW800389	Oil Seal Spacer (22mm)	2	
23	DW800412	Rotor Stub Shaft	1	
24	DW800413	Bearing Housing	1	
25	DW800414	Cover Plate	1	
26	DW800415	Gasket (Ø110 hole)	2	
26a	DW800415A	Gasket (Ø121 hole)	1	
27	DW800416	Oil Seal Spacer (19mm)	1	
28	DW801016	Trailing Board	1	70-70 model
29	DW800499	Tab Washer	4	
30	DW801282	Trunnion	2	
31	DW803822	19T Jackshaft Gear	1	
32	DWS1452A	Gearcase LH	1	
33	DW804182	Ground Skid LH	1	
34	DW804189	Gearcase Gasket	1	
35	DW804190	Gear Cover Gasket	1	
36	DW804191	Gear Cover	1	
37	DWS1454	Idler Shaft	1	
38				
39				
40				
41	DW202025700	'O' Ring (Ø2.425"x0.103")	1	
42	DW202030580	1/4" UNF Grease Nipple	1	
43				
44	DW202071150	'O' Ring (Ø69.5x3mm)	3	
45	DW202072470	'V' Seal (Ø140)	1	
46	DW208013570	Dowel Pin	4	
47	DW208016760	Split Pin (Ø5x80)	1	
48	DW208101570	Internal Circlip (Ø112)	1	
49	DW208101630	Internal Circlip (Ø140)	1	
50	DW208109300	M55 Lock Nut	1	
51	DW208109310	Locking Washer (Ø55)	1	
52	DW208109490	Locking Washer (Ø60)	1	
53	DW252644121	Taper Roller Bearing	2	

POWAVATOR 400 SPARE PARTS**2.5b**

Machines from Serial No PV400200-1034

LH Hull Assembly (70-70 models)**Assy No DWS1315 & DWS1447**

Item	Part No.	Description	Qty.	Remarks
54	DW256013311	Bearing	1	
55	DW256512411	Bearing	1	
56	DWS432	Bearing	1	
57	DW261185131	Oil Seal (110x85x13mm)	1	
58	DW261185181	Oil Seal (110x85x18mm)	2	
59	DW331320350	M20 x35 Special Setscrew	8	
60	DW308100120	M10 'Schnorr' Washer	21	
61				
62				
63				
64				
65				
66				
67				
68				
69			2	
70	DWS214	RH Wear Plate	1	
71	DWS503	Dubo Retaining Ring M12	22	
72	DWS528	LH Wear Plate	1	
73	DWS533	Front Guard LH	1	70-70 model
74	DWS538	3/4" BSP Breather	1	
75	DWS605	3/4" BSP 90° Elbow	2	
76				
77	DWS1293	Gearcase Backplate	1	
78	DWS1294	Bearing Housing	1	
79	DWS1295	Gasket	1	
80	DWS1296	Rotor Drive Shaft	1	
81	DWS1297	Idler Shaft Retainer	1	
82	DWS1298A	Jackshaft	1	
83				
84	DWS1300	Side plate	1	
85	DWS1301	Jackshaft Housing Support	1	
85a	DWS1301A	Jackshaft Housing Support	1	
86				
87	DWS1302A	Jackshaft Housing LH	1	
88	DWS1306	Gasket	1	
89	DWS1307	Guard Mount	1	
90	DWS1446	Hull LH	1	70-70 model
91	DWS1311	Guard Spacer	1	
91a	DWS1311A	Guard Spacer	1	
92	DWS1328	Driveshaft Guard	1	
93	DWS1368	Side Shield	2	
94	DWS1484	Trailing Board Extension	1	70-70 model
95	DWS1535	Support Boss	1	
96				
97	RPGM246540	'O'Ring (Ø12x2mm)	2	
98				
99	MSF65	Bearing	1	
100				

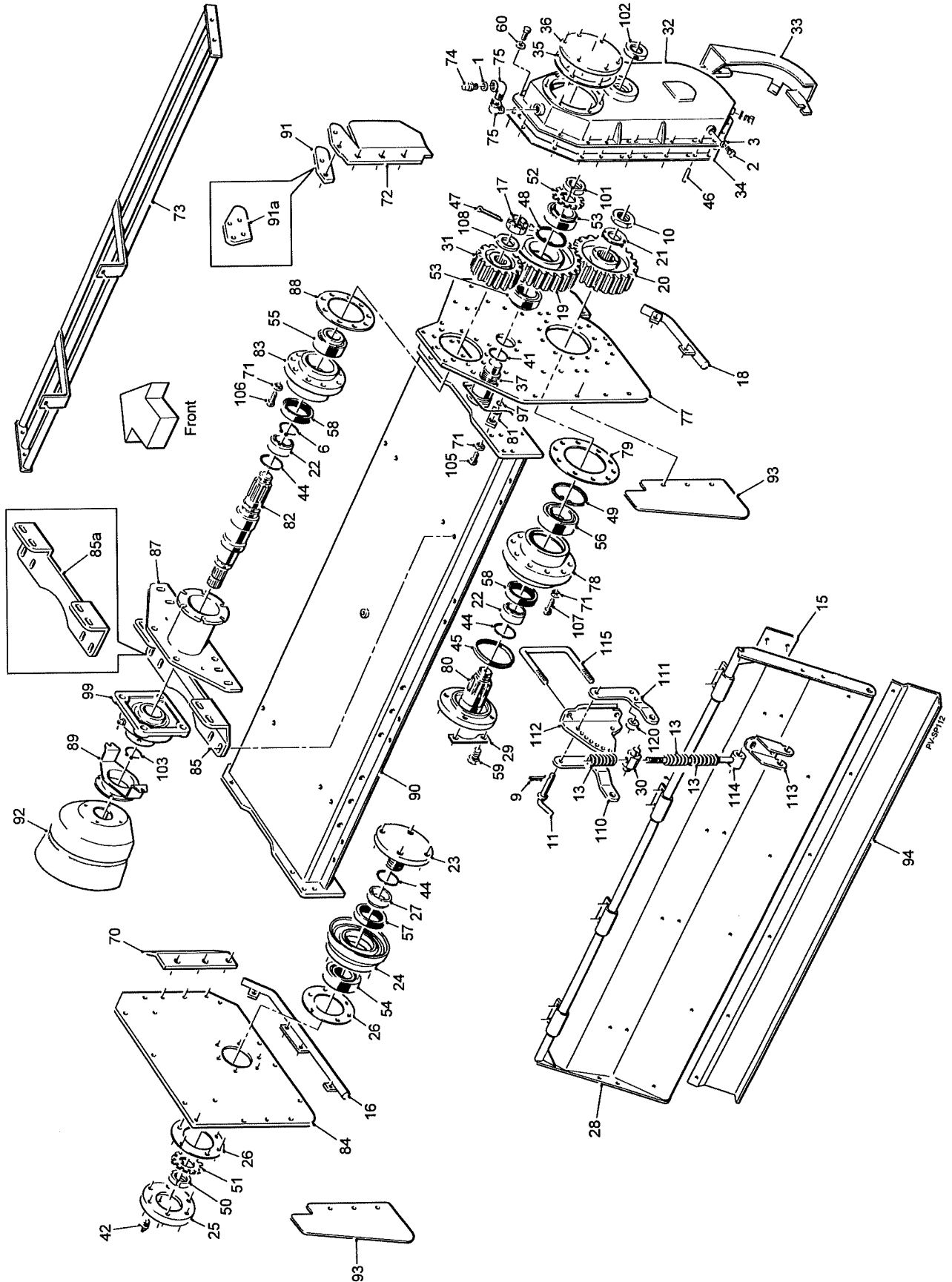
2.5c**POWAVATOR 400 SPARE PARTS**

Machines from Serial No PV400200-1034

LH Hull Assembly (70-70 models)**Assy No DWS1315 & DWS1447**

Item	Part No.	Description	Qty.	Remarks
101	RFB01032	Shaft Nut	1	
102				
103	RPF200.065250	Ø65 External Circlip	1	
104				
105	22015012/025	M12x25 Cap Screw	2	
106	22015012/035	M12x35 Cap Screw	15	
107	22015012/040	M12x40 Cap Screw	10	
108	22046039B	M39 Flat Washer	1	
109				
110	DWS1427	Trunnion Arm LH	2	
111	DWS1428	Trunnion Arm RH	2	
112	DWS1429	Selector Plate LH	2	
113	DWS1431	Support Bracket	2	
114	DWS1432	Spring Rod	2	
115	DWS1433	M16 'U' Bolt	2	
116	DWS1531	Strengthener Plate Front	1	
117	DWS1532	Strengthener Plate Rear	1	
118				
119				
120	SS025013/012	Steel Spacer	2	

RH Hull Assembly (70-70 models) Assy No DWS1316 & DWS1447



2.6a

POWAVATOR 400 SPARE PARTS

RH Hull Assembly (70-70 models)

Assy No DWS1316 & DWS1447

Item	Part No.	Description	Qty.	Remarks
1	11123	3/4"BSP Dowty Seal	1	
2	11876/8	1/4"BSP Plug	2	
3	11337	1/4"BSP Dowty Seal	2	
4				
5				
6	56191	Ø70 External Circlip	1	
7				
8				
9	DW330237	'R'Clip	2	
10	DW650018	Special Nut	1	
11	DW650113	Pin	2	
12				
13	DW650124	Spring	6	
14				
15	DW650784	Backing Plate	2	
16	DWS197	Skid LH (long)	1	
17	DW800330	M40 Castellated Nut	1	
18	DWS196	Skid RH (short)	1	
19	DW800384	35T Idler Gear	1	
20	DW800387	30T Rotor Drive Gear	1	
21	DW800388	Tab Washer	1	
22	DW800389	Oil Seal Spacer (22mm)	2	
23	DW800412	Rotor Stub Shaft	1	
24	DW800413	Bearing Housing	1	
25	DW800414	Cover Plate	1	
26	DW800415	Gasket	2	
27	DW800416	Oil Seal Spacer (19mm)	1	
28	DW801016	Trailing Board	1	70-70 model
29	DW800499	Tab Washer	4	
30	DW801282	Trunnion	2	
31	DW803822	19T Jackshaft Gear	1	
32	DWS1453	Gearcase RH	1	
33	DW804182A	Ground Skid RH	1	
34	DW804189	Gearcase Gasket	1	
35	DW804190	Gear Cover Gasket	1	
36	DW804191	Gear Cover	1	
37	DWS1454	Idler Shaft	1	
38				
39				
40				
41	DW202025700	'O'Ring (Ø2.425"x0.103")	1	
42	DW202030580	1/4"UNF Grease Nipple	1	
43				
44	DW202071150	'O'Ring (Ø69.5x3mm)	3	
45	DW202072470	'V'Seal (Ø140)	1	
46	DW208013570	Dowel Pin	4	
47	DW208016760	Split Pin (Ø5x80)	1	
48	DW208101570	Internal Circlip (Ø112)	1	
49	DW208101630	Internal Circlip (Ø140)	1	
50	DW208109300	M55 Lock Nut	1	
51	DW208109310	Locking Washer (Ø55)	1	
52	DW208109490	Locking Washer (Ø60)	1	
53	DW252644121	Taper Roller Bearing	2	

POWAVATOR 400 SPARE PARTS

2.6b

RH Hull Assembly (70-70 models)

Assy No DWS1316 & DWS1447

Item	Part No.	Description	Qty.	Remarks
54	DW256013311	Bearing	1	
55	DW256512411	Bearing	1	
56	DW256514591	Bearing	1	
57	DW261185131	Oil Seal (110x85x13mm)	1	
58	DW261185181	Oil Seal (110x85x18mm)	2	
59	DW331320350	M20 x35 Special Setscrew	8	
60	DW308100120	M10 'Schnorr' Washer	21	
61				
62				
63				
64				
65				
66				
67				
68				
69				
70	DWS213	LH Wear Plate	1	
71	DWS503	Dubo Retaining Ring M12	22	
72	DWS529	RH Wear Plate	1	
73	DWS534	Front Guard RH	1	70-70 model
74	DWS538	3/4"BSP Breather	1	
75	DWS605	3/4"BSP 90°Elbow	2	
76				
77	DWS1293	Gearcase Backplate	1	
78	DWS1294	Bearing Housing	1	
79	DWS1295	Gasket	1	
80	DWS1296	Rotor Drive Shaft	1	
81	DWS1297	Idler Shaft Retainer	1	
82	DWS1298	Jackshaft	1	
83	DWS1299	Bearing Housing	1	
84	DWS1300	Side plate	1	
85	DWS1301	Jackshaft Housing Support	1	
85a	DWS1301A	Jackshaft Housing Support	1	
86				
87	DWS1303	Jackshaft Housing RH	1	
88	DWS1306	Gasket	1	
89	DWS1307	Guard Mount	1	
90	DWS1445	Hull RH	1	70-70 model
91	DWS1311	Guard Spacer	1	
91a	DWS1311A	Guard Spacer	1	
92	DWS1328	Driveshaft Guard	1	
93	DWS1368	Side Shield	2	
94	DWS1484	Trailing Board Extension	1	70-70 model
95				
96				
97	RPGM246540	'O'Ring (Ø12x2mm)	2	
98				
99	MSF65	Bearing	1	
100				

2.6c

POWAVATOR 400 SPARE PARTS

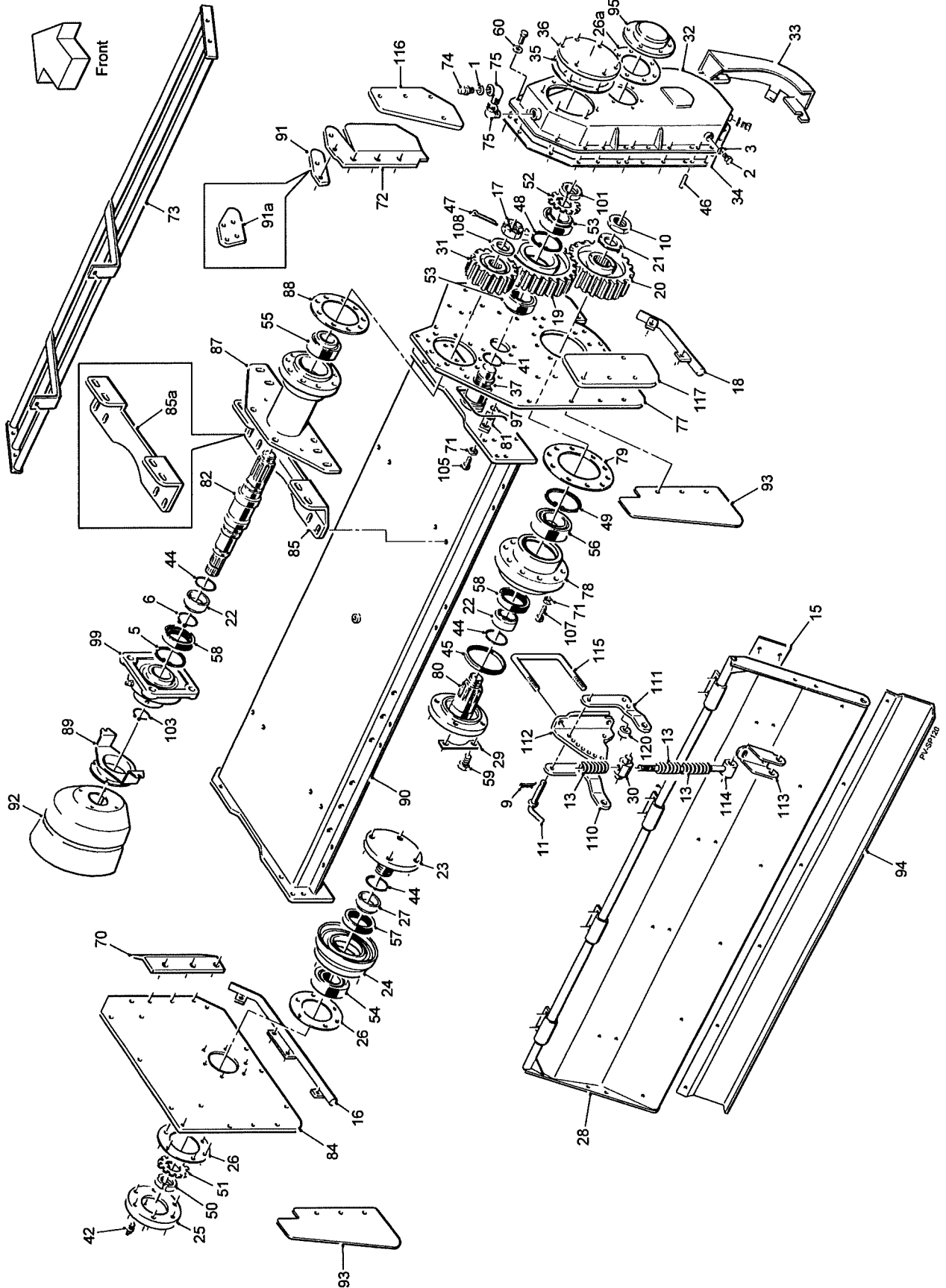
RH Hull Assembly (70-70 models)

Assy No DWS1316 & DWS1447

Item	Part No.	Description	Qty.	Remarks
101	RFB01032	Shaft Nut	1	
102	RPS200.458513	Oil Seal	1	
103	RPF200.065250	Ø65 External Circlip	1	
104				
105	22015012/025	M12x25 Cap Screw	2	
106	22015012/035	M12x35 Cap Screw	15	
107	22015012/040	M12x40 Cap Screw	10	
108	22046039B	M39 Flat Washer	1	
109				
110	DWS1427	Trunnion Arm LH	2	
111	DWS1428	Trunnion Arm RH	2	
112	DWS1430	Selector Plate RH	2	
113	DWS1431	Support Bracket	2	
114	DWS1432	Spring Rod	2	
115	DWS1433	M16 'U' Bolt	2	
116				
117				
118				
119				
120	SS025013/012	Steel Spacer	2	

Machines from Serial No PV400200-1034

RH Hull Assembly (70-70 models) Assy No DWS1316 & DWS1447



2.6a

POWAVATOR 400 SPARE PARTS

Machines from Serial No PV400200-1034

RH Hull Assembly (70-70 models)

Assy No DWS1316 & DWS1447

Item	Part No.	Description	Qty.	Remarks
1	11123	3/4" BSP Dowty Seal	1	
2	11876/8	1/4" BSP Plug	2	
3	11337	1/4" BSP Dowty Seal	2	
4				
5	45042	Ø110 Internal Circlip	1	
6	56191	Ø70 External Circlip	1	
7				
8				
9	DW330237	'R'Clip	2	
10	DW650018	Special Nut	1	
11	DW650113	Pin	2	
12				
13	DW650124	Spring	6	
14				
15	DW650784	Backing Plate	2	
16	DWS197	Skid LH (long)	1	
17	DW800330	M40 Castellated Nut	1	
18	DWS196	Skid RH (short)	1	
19	DW800384	35T Idler Gear	1	
20	DW800387	30T Rotor Drive Gear	1	
21	DW800388	Tab Washer	1	
22	DW800389	Oil Seal Spacer (22mm)	2	
23	DW800412	Rotor Stub Shaft	1	
24	DW800413	Bearing Housing	1	
25	DW800414	Cover Plate	1	
26	DW800415	Gasket (Ø110 hole)	2	
26a	DW800415A	Gasket (Ø121 hole)		
27	DW800416	Oil Seal Spacer (19mm)	1	
28	DW801016	Trailing Board	1	70-70 model
29	DW800499	Tab Washer	4	
30	DW801282	Trunnion	2	
31	DW803822	19T Jackshaft Gear	1	
32	DWS1453A	Gearcase RH	1	
33	DW804182A	Ground Skid RH	1	
34	DW804189	Gearcase Gasket	1	
35	DW804190	Gear Cover Gasket	1	
36	DW804191	Gear Cover	1	
37	DWS1454	Idler Shaft	1	
38				
39				
40				
41	DW202025700	'O'Ring (Ø2.425"x0.103")	1	
42	DW202030580	1/4"UNF Grease Nipple	1	
43				
44	DW202071150	'O'Ring (Ø69.5x3mm)	3	
45	DW202072470	'V'Seal (Ø140)	1	
46	DW208013570	Dowel Pin	4	
47	DW208016760	Split Pin (Ø5x80)	1	
48	DW208101570	Internal Circlip (Ø112)	1	
49	DW208101630	Internal Circlip (Ø140)	1	
50	DW208109300	M55 Lock Nut	1	
51	DW208109310	Locking Washer (Ø55)	1	
52	DW208109490	Locking Washer (Ø60)	1	
53	DW252644121	Taper Roller Bearing	2	

POWAVATOR 400 SPARE PARTS**2.6b**

Machines from Serial No PV400200-1034

RH Hull Assembly (70-70 models)**Assy No DWS1316 & DWS1447**

Item	Part No.	Description	Qty.	Remarks
54	DW256013311	Bearing	1	
55	DW256512411	Bearing	1	
56	DWS432	Bearing	1	
57	DW261185131	Oil Seal (110x85x13mm)	1	
58	DW261185181	Oil Seal (110x85x18mm)	2	
59	DW331320350	M20 x35 Special Setscrew	8	
60	DW308100120	M10 'Schnorr' Washer	21	
61				
62				
63				
64				
65				
66				
67				
68				
69				
70	DWS213	LH Wear Plate	1	
71	DWS503	Dubo Retaining Ring M12	22	
72	DWS529	RH Wear Plate	1	
73	DWS534	Front Guard RH	1	70-70 model
74	DWS538	3/4" BSP Breather	1	
75	DWS605	3/4" BSP 90° Elbow	2	
76				
77	DWS1293	Gearcase Backplate	1	
78	DWS1294	Bearing Housing	1	
79	DWS1295	Gasket	1	
80	DWS1296	Rotor Drive Shaft	1	
81	DWS1297	Idler Shaft Retainer	1	
82	DWS1298A	Jackshaft	1	
83				
84	DWS1300	Side plate	1	
85	DWS1301	Jackshaft Housing Support	1	
85a	DWS1301A	Jackshaft Housing Support	1	
86				
87	DWS1303A	Jackshaft Housing RH	1	
88	DWS1306	Gasket	1	
89	DWS1307	Guard Mount	1	
90	DWS1445	Hull RH	1	70-70 model
91	DWS1311	Guard Spacer	1	
91a	DWS1311A	Guard Spacer	1	
92	DWS1328	Driveshaft Guard	1	
93	DWS1368	Side Shield	2	
94	DWS1484	Trailing Board Extension	1	70-70 model
95	DWS1535	Support Boss	1	
96				
97	RPGM246540	'O' Ring (Ø12x2mm)	2	
98				
99	MSF65	Bearing	1	
100				

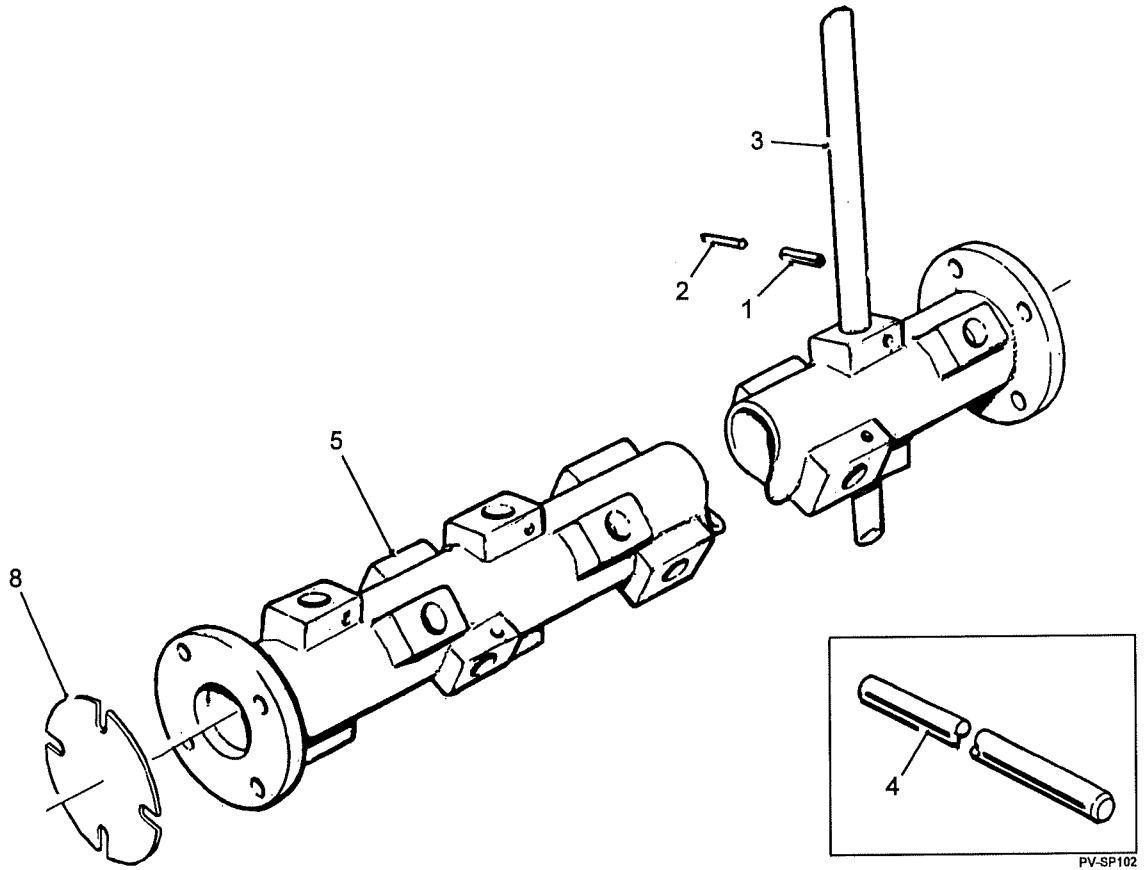
2.6c**POWAVATOR 400 SPARE PARTS**

Machines from Serial No PV400200-1034

RH Hull Assembly (70-70 models)**Assy No DWS1316 & DWS1447**

Item	Part No.	Description	Qty.	Remarks
101	RFB01032	Shaft Nut	1	
102				
103	RPF200.065250	Ø65 External Circlip	1	
104				
105	22015012/025	M12x25 Cap Screw	2	
106	22015012/035	M12x35 Cap Screw	15	
107	22015012/040	M12x40 Cap Screw	10	
108	22046039B	M39 Flat Washer	1	
109				
110	DWS1427	Trunnion Arm LH	2	
111	DWS1428	Trunnion Arm RH	2	
112	DWS1430	Selector Plate RH	2	
113	DWS1431	Support Bracket	2	
114	DWS1432	Spring Rod	2	
115	DWS1433	M16 'U' Bolt	2	
116	DWS1531	Strengthener Plate Front	1	
117	DWS1532	Strengthener Plate Rear	1	
118				
119				
120	SS025013/012	Steel Spacer	2	

Spike Rotor Assemblies



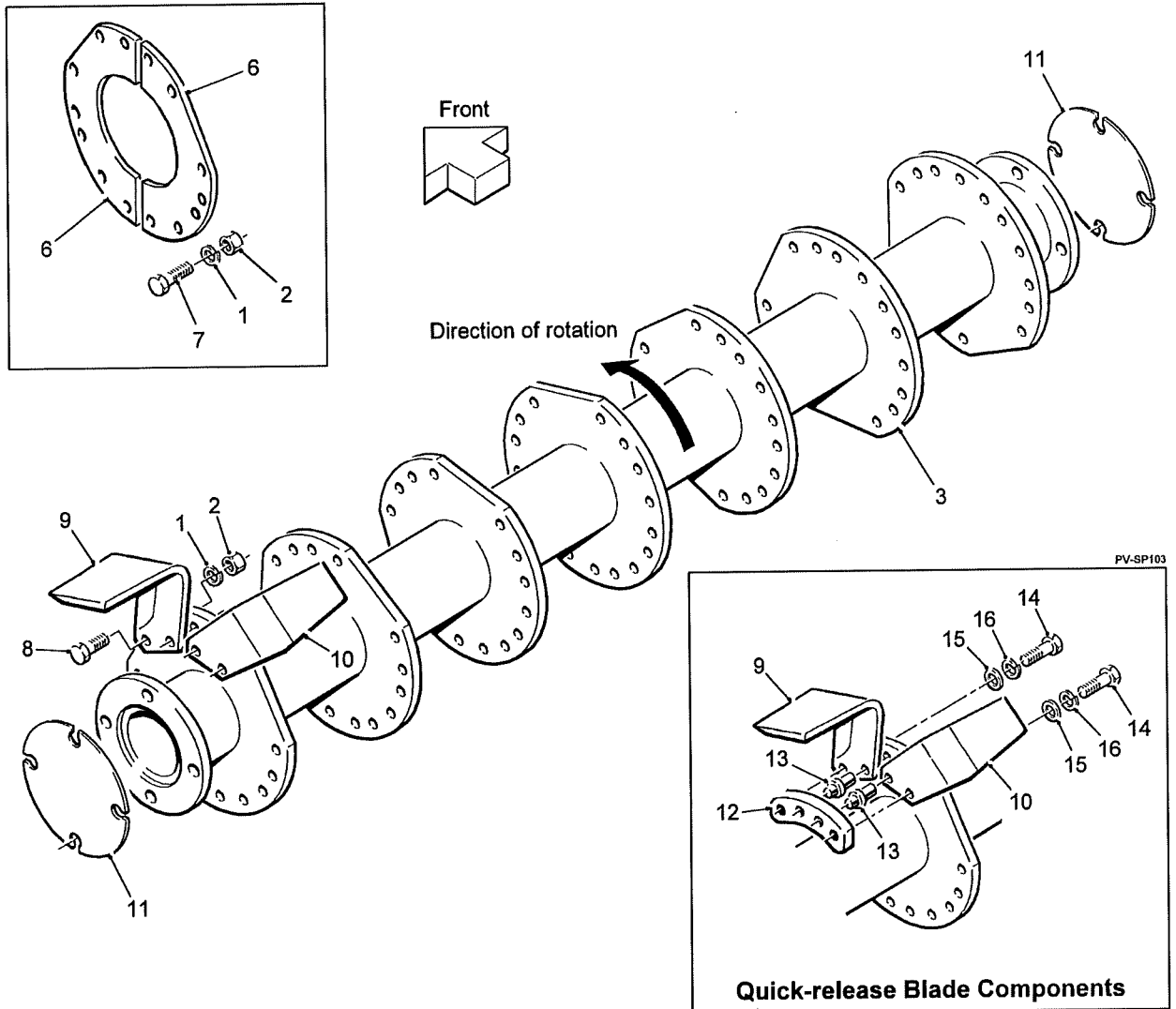
2.7a

POWAVATOR 400 SPARE PARTS

Spike Rotor Assemblies

Item	Part No.	Description	Qty.	Remarks
1	DW208015420	Spirol Pin (Ø1/2"x2 1/4")	29	(70" rotor)
	DW208015420	Spirol Pin (Ø1/2"x2 1/4")	41	(100" rotor)
	DW208015420	Spirol Pin (Ø1/2"x2 1/4")	50	(120" rotor)
2	DW208086300	Spirol Pin (Ø5x40mm)	29	(70" rotor)
	DW208086300	Spirol Pin (Ø5x40mm)	41	(100" rotor)
	DW208086300	Spirol Pin (Ø5x40mm)	50	(120" rotor)
3	DW305434	Spike	29	(70" rotor)
	DW305434	Spike	41	(100" rotor)
	DW305434	Spike	50	(120" rotor)
4	DW330291	Pin Removal Bar	1	
5	DW800297	70" Spike Rotor	1	
	DW800458	100" Spike Rotor	1	
	DW800697	120" Spike Rotor	1	
6				
7				
8	DWS241	Shim (1mm)	a/r	
	DWS242	Shim (2mm)	a/r	
	DWS243	Shim (4mm)	a/r	

Blade Rotor Assemblies

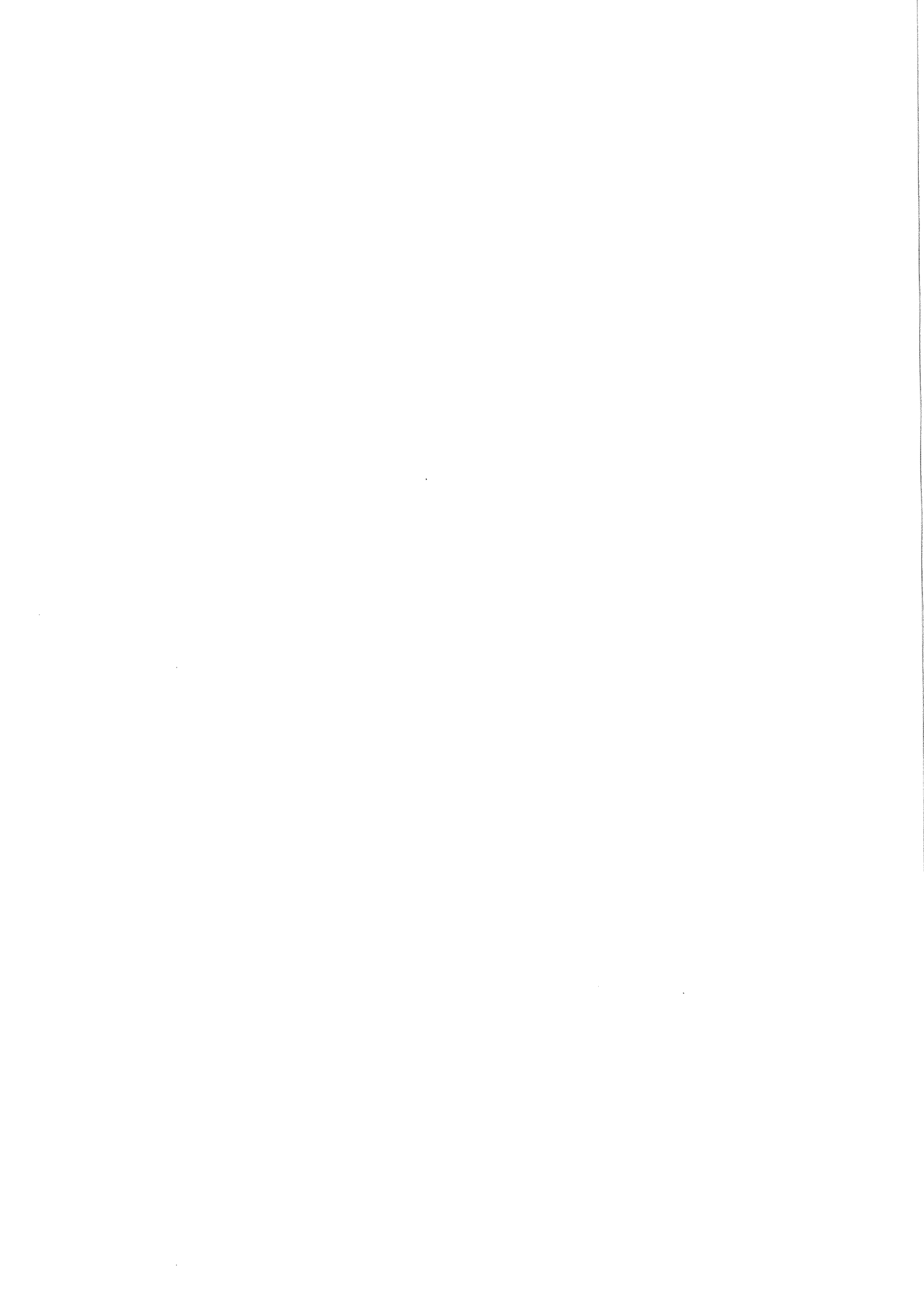


Blade Rotor Assemblies

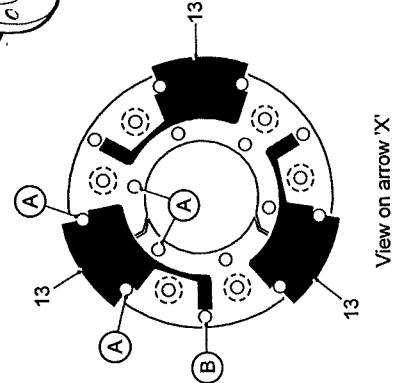
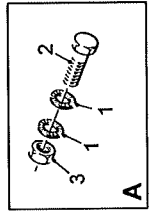
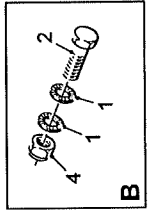
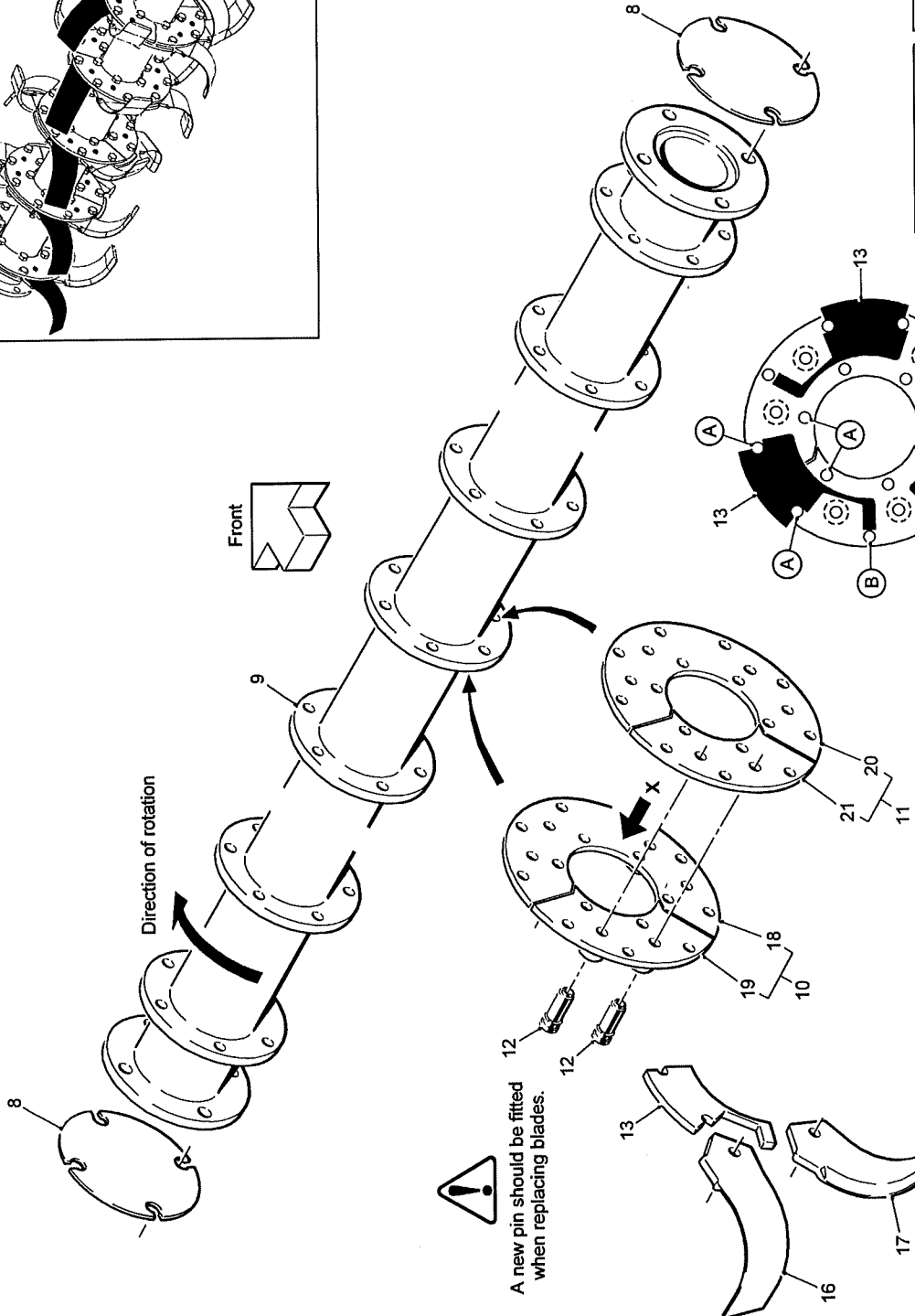
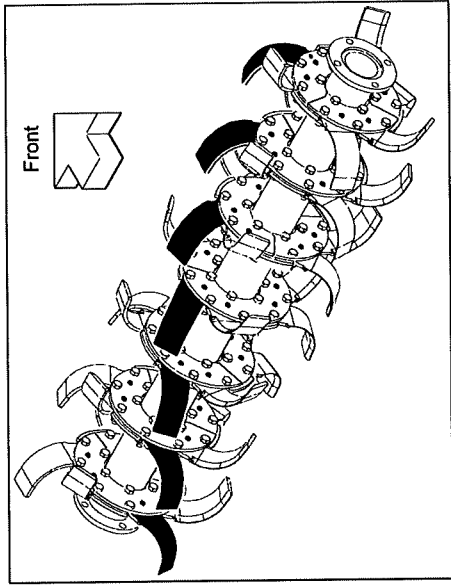
Item	Part No.	Description	Qty.	Remarks
1	DW209019420	M16 Spring Washer	84	(70" rotor)
	DW209019420	M16 Spring Washer	120	(100" rotor)
	DW209019420	M16 Spring Washer	144	(120" rotor)
2	DW67557	5/8"UNF Special Nut	84	(70" rotor)
	DW67557	5/8"UNF Special Nut	120	(100" rotor)
	DW67557	5/8"UNF Special Nut	144	(120" rotor)
3	DWS1195/70	70"Rotor	1	
	DWS1195/100	100"Rotor	1	
	DWS1195/120	120"Rotor	1	
4				
5				
6	DW804225	Blade Support Flange (optional)	14	(70" rotor)
	DW804225	Blade Support Flange (optional)	20	(100" rotor)
	DW804225	Blade Support Flange (optional)	24	(120" rotor)
7	DW804226	5/8"UNFx2 3/8"Special Bolt (optional)	84	(70" rotor)
	DW804226	5/8"UNFx2 3/8"Special Bolt (optional)	120	(100" rotor)
	DW804226	5/8"UNFx2 3/8"Special Bolt (optional)	144	(120" rotor)
8	DW9850	5/8"UNFx1 7/8"Special Bolt	84	(70" rotor)
	DW9850	5/8"UNFx1 7/8"Special Bolt	120	(100" rotor)
	DW9850	5/8"UNFx1 7/8"Special Bolt	144	(120" rotor)
9	DW9862	'L' Blade LH	21	(70" rotor)
	DW9862	'L' Blade LH	30	(100" rotor)
	DW9862	'L' Blade LH	36	(120" rotor)
10	DW9863	'L' Blade RH	21	(70" rotor)
	DW9863	'L' Blade RH	30	(100" rotor)
	DW9863	'L' Blade RH	36	(120" rotor)
9	DW9950	'Speed' Blade LH (standard)	21	(70" rotor)
	DW9950	'Speed' Blade LH (standard)	30	(100" rotor)
	DW9950	'Speed' Blade LH (standard)	36	(120" rotor)
10	DW9951	'Speed' Blade RH (standard)	21	(70" rotor)
	DW9951	'Speed' Blade RH (standard)	30	(100" rotor)
	DW9951	'Speed' Blade RH (standard)	36	(120" rotor)
9	DWS1236LH	'Speed' Blade LH (wide)	21	(70" rotor)
	DWS1236LH	'Speed' Blade LH (wide)	30	(100" rotor)
	DWS1236LH	'Speed' Blade LH (wide)	36	(120" rotor)
10	DWS1236RH	'Speed' Blade RH (wide)	21	(70" rotor)
	DWS1236RH	'Speed' Blade RH (wide)	30	(100" rotor)
	DWS1236RH	'Speed' Blade RH (wide)	36	(120" rotor)
11	DWS241	Shim (1mm)	a/r	
	DWS242	Shim (2mm)	a/r	
	DWS243	Shim (4mm)	a/r	

Blade Rotor Assemblies

Item	Part No.	Description	Qty.	Remarks
12	DWS955	Quick-release Blade Components	21	(70" rotor)
	DWS955	Blade Securing Double Plate	30	(100" rotor)
	DWS955	Blade Securing Double Plate	36	(120" rotor)
13	DWS956	Blade Securing Pin	42	(70" rotor)
	DWS956	Blade Securing Pin	60	(100" rotor)
	DWS956	Blade Securing Pin	72	(120" rotor)
14	DW9850	5/8"UNFx1 7/8"Special Bolt	42	(70" rotor)
	DW9850	5/8"UNFx1 7/8"Special Bolt	60	(100" rotor)
	DW9850	5/8"UNFx1 7/8"Special Bolt	72	(120" rotor)
15	22046016	M16 Flat Washer	42	(70" rotor)
	22046016	M16 Flat Washer	60	(100" rotor)
	22046016	M16 Flat Washer	72	(120" rotor)
16	22053062	M16 Spring Washer	42	(70" rotor)
	22053062	M16 Spring Washer	60	(100" rotor)
	22053062	M16 Spring Washer	72	(120" rotor)



Rapid-Pin Blade Rotor Assemblies



!
A new pin should be fitted when replacing blades.

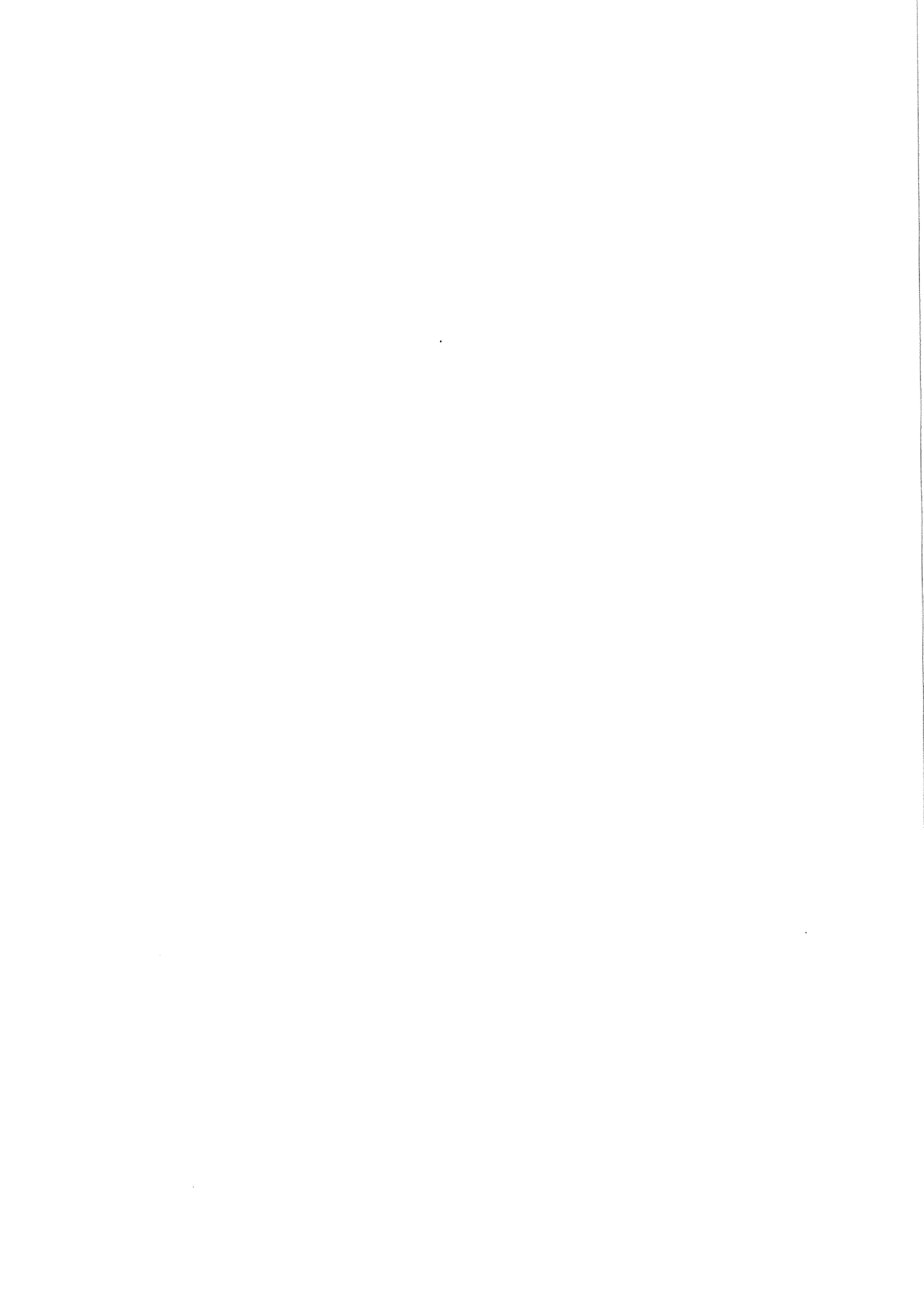
- Bolts (A) Torque to 345 Nm (255 lb/ft).
- Bolts (B) Tighten to set blade space between flange plates.

Rapid-Pin Blade Rotor Assemblies

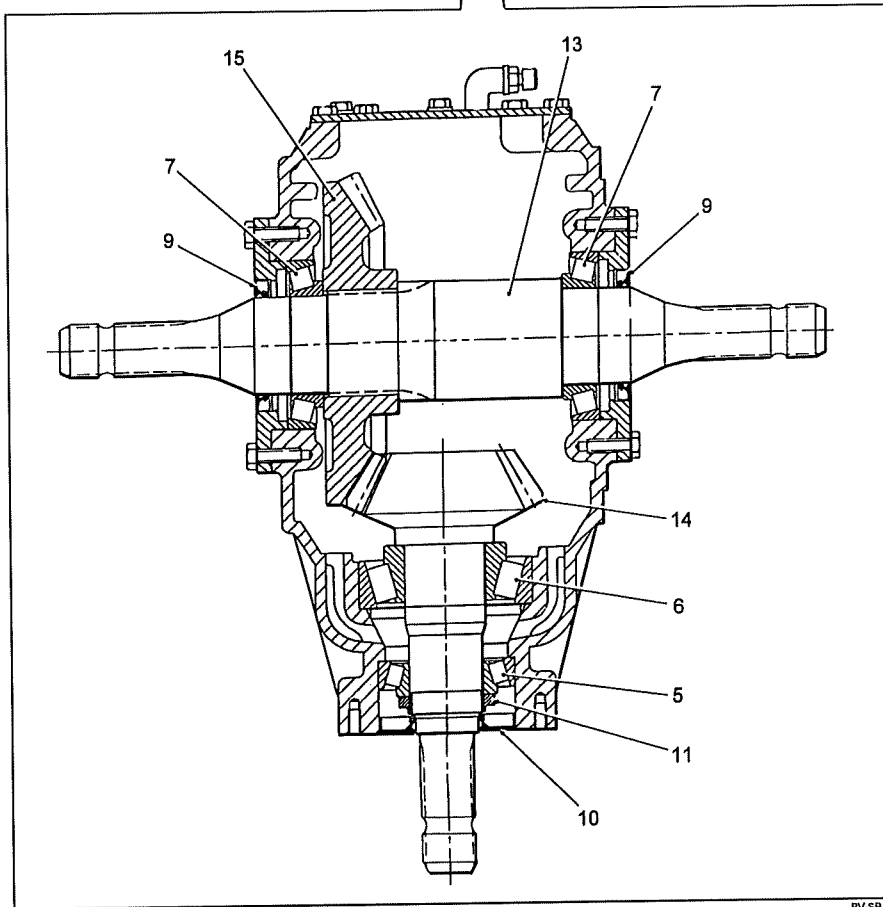
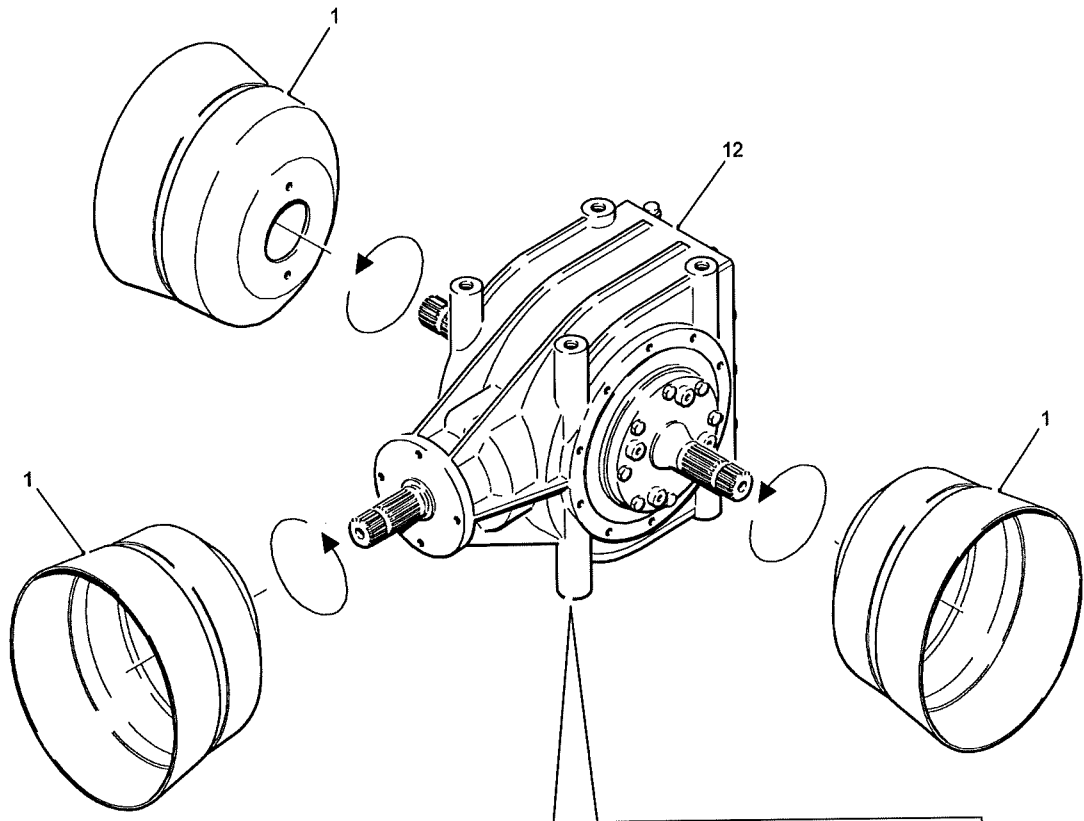
Item	Part No.	Description	Qty.	Remarks
		70" Rapid-Pin Blade Rotor Assembly		
		Consists Of:		
1	22121016	M16 Nordlock Washer	168	
2	22126016/055	M16x55 Bolt (grade 12.9)	105	
3	22127016	M16 Full Nut (grade 12.9)	84	
4	22041016	M16 Nyloc Nut	21	
5				
6				
7				
8	DWS241	1mm Shim	1	
	DWS242	2mm Shim	1	
	DWS243	4mm Shim	1	
9	DWS1121A/70	70" Rotor Shaft	1	
10	DWS1173	Bossed Flange Assembly	7	(see list at end)
11	DWS1174	Plain Flange Assembly	7	(see list at end)
12	DWS1127	Knock-In Pin Assembly	42	
13	DWS1172	Spacer Plate	21	
14				
15				
16	DWS1091L	'L' Blade LH	21	
	DWS1091SL	'Speed' Blade LH	21	
17	DWS1091R	'L' Blade RH	21	
	DWS1091SR	'Speed' Blade RH	21	
		100" Rapid-Pin Blade Rotor Assembly		
		Consists Of:		
1	22121016	M16 Nordlock Washer	300	
2	22126016/055	M16x55 Bolt (grade 12.9)	150	
3	22127016	M16 Full Nut (grade 12.9)	120	
4	22041016	M16 Nyloc Nut	30	
5				
6				
7				
8	DWS241	1mm Shim	1	
	DWS242	2mm Shim	1	
	DWS243	4mm Shim	1	
9	DWS1121A/100	100" Rotor Shaft	1	
10	DWS1173	Bossed Flange Assembly	10	(see list at end)
11	DWS1174	Plain Flange Assembly	10	(see list at end)
12	DWS1127	Knock-In Pin Assembly	60	
13	DWS1172	Spacer Plate	30	
14				
15				
16	DWS1091L	'L' Blade LH	30	
	DWS1091SL	'Speed' Blade LH	30	
17	DWS1091R	'L' Blade RH	30	
	DWS1091SR	'Speed' Blade RH	30	

Rapid-Pin Blade Rotor Assemblies

Item	Part No.	Description	Qty.	Remarks
		120" Rapid-Pin Blade Rotor Assembly		
		Consists Of:		
1	22121016	M16 Nordlock Washer	360	
2	22126016/055	M16x55 Bolt (grade 12.9)	180	
3	22127016	M16 Full Nut (grade 12.9)	144	
4	22041016	M16 Nyloc Nut	36	
5				
6				
7				
8	DWS241	1mm Shim	1	
	DWS242	2mm Shim	1	
	DWS243	4mm Shim	1	
9	DWS1121A/120	120" Rotor Shaft	1	
10	DWS1173	Bossed Flange Assembly	12	(see list at end)
11	DWS1174	Plain Flange Assembly	12	(see list at end)
12	DWS1127	Knock-In Pin Assembly	72	
13	DWS1172	Spacer Plate	36	
14				
15				
16	DWS1091L	'L' Blade LH	36	
	DWS1091SL	'Speed' Blade LH	36	
17	DWS1091R	'L' Blade RH	36	
	DWS1091SR	'Speed' Blade RH	36	
	DWS1173	Bossed Flange Plate Assembly		
		Consists Of:		
18	DWS1173A	Bossed Flange Segment (large)	1	
19	DWS1173B	Bossed Flange Segment (small)	1	
	DWS1174	Plain Flange Plate Assembly		
		Consists Of:		
20	DWS1174A	Plain Flange Segment (large)	1	
21	DWS1174B	Plain Flange Segment (small)	1	



Centre Gearbox

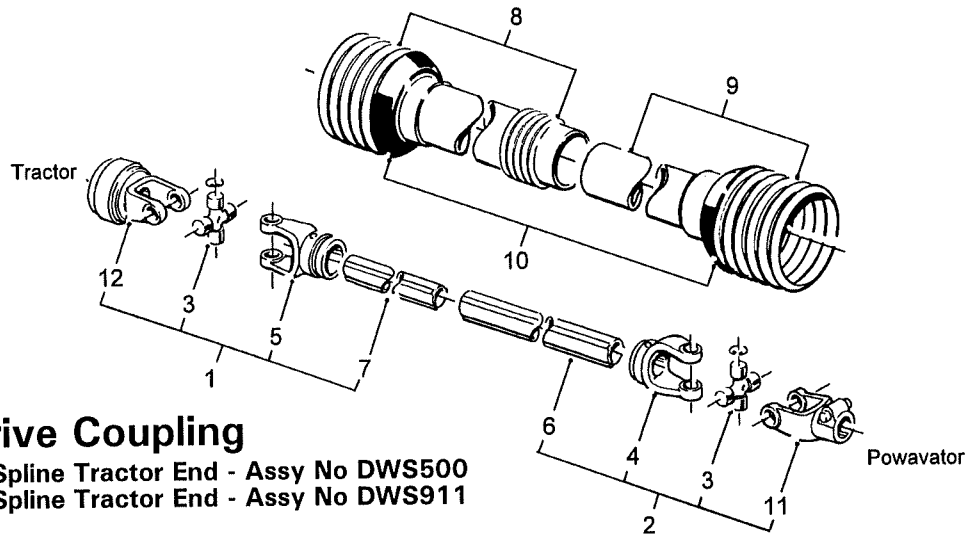


PV-SP100

2.11a**POWAVATOR 400 SPARE PARTS****Centre Gearbox**

Item	Part No.	Description	Qty.	Remarks
1	DWS1312	PTO Guard	3	
2				
3				
4				
5	RFB01144	Bearing (32212)	1	
6	RFB01145	Bearing (32313)	1	
7	RFB01146	Bearing (30216)	2	
8				
9	RFRE0436	Oil Seal (80x110x10)	2	
10	RFRE0437	Oil Seal (50x110x12)	1	
11	RFRE0454	M60 Nut	1	
12	RFRE0536	Gearbox Complete	1	
13	RFRE0571	Shaft (20 spline)	1	
14	RFRE0587	17T Pinion Shaft (20 spline)	1	
15	RFRE0601	33T Crown Wheel	1	

Drive Couplings



PTO Drive Coupling

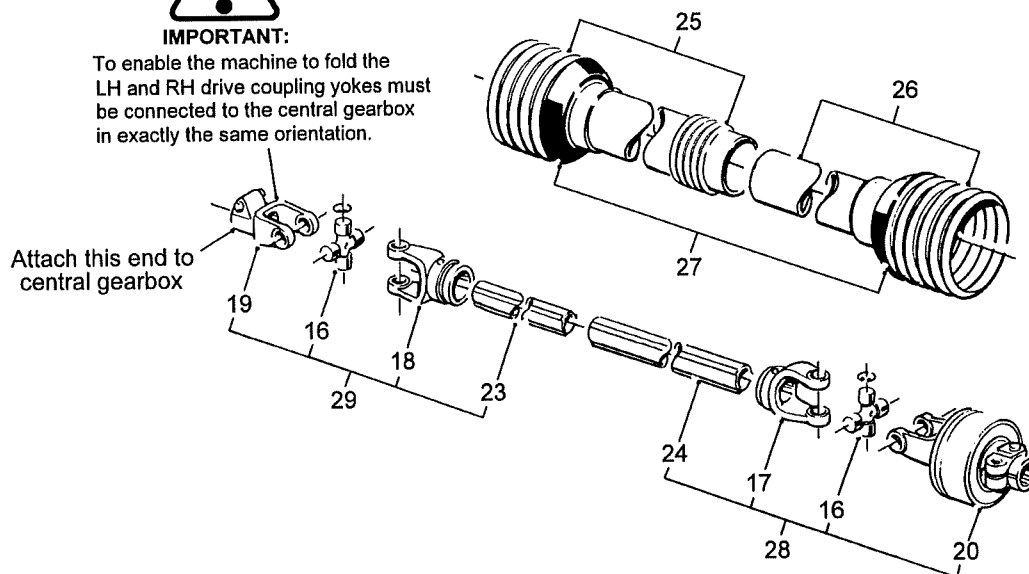
- 1 3/4" 20 Spline Tractor End - Assy No DWS500
- 1 3/8" 21 Spline Tractor End - Assy No DWS911

PV-SP101



IMPORTANT:

To enable the machine to fold the LH and RH drive coupling yokes must be connected to the central gearbox in exactly the same orientation.



Jackshaft Drive Couplings

- 200 & 70-70 Model RH Drive Coupling - Assy No DWS1313
- 200 & 70-70 Model LH Drive Coupling - Assy No DWS1314

- 240 Model RH Drive Coupling - Assy No DWS1493
- 240 Model LH Drive Coupling - Assy No DWS1494

2.12a

POWAVATOR 400 SPARE PARTS

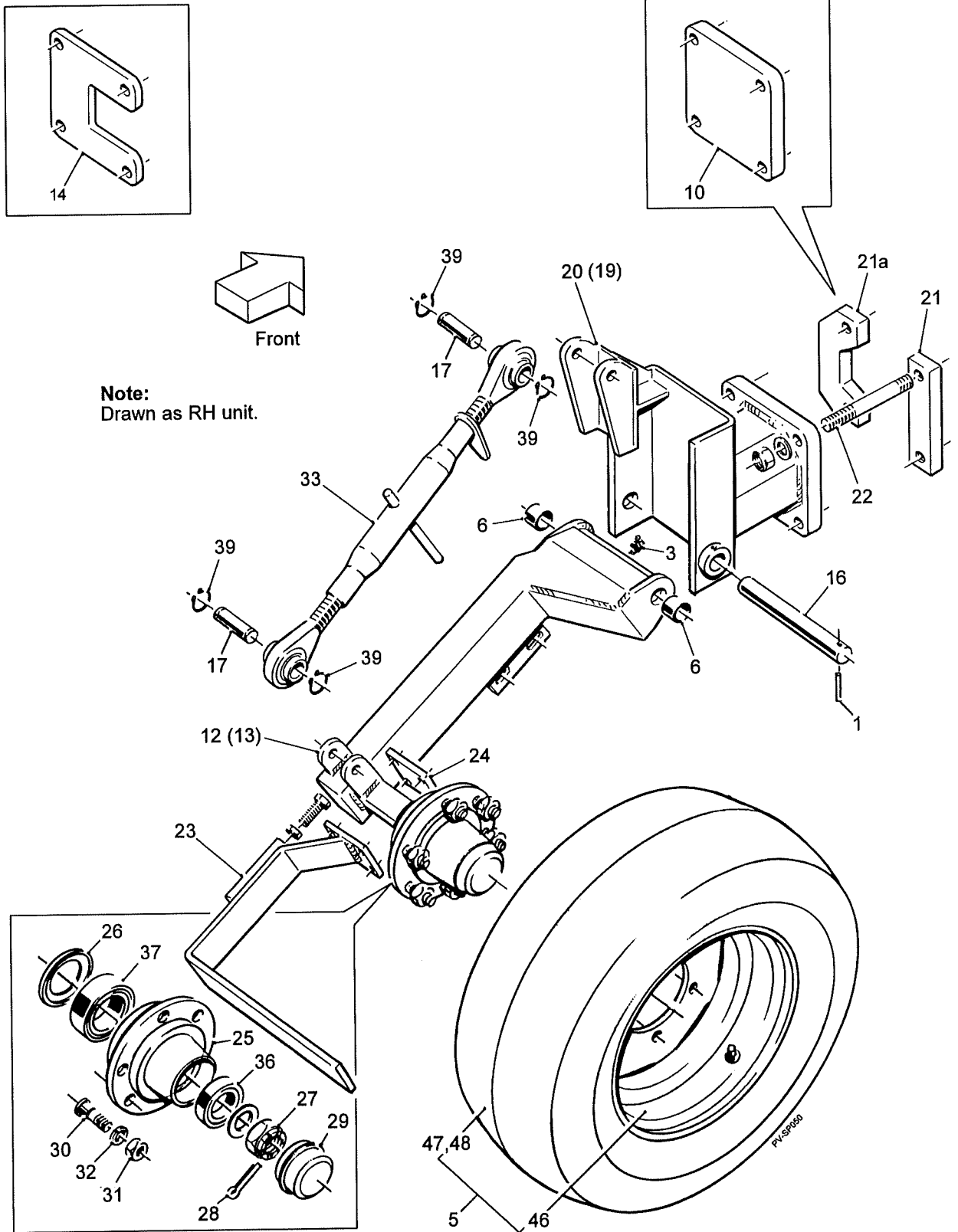
Drive Couplings

Item	Part No.	Description	Qty.	Remarks
	DWS500	1 3/4" 20 Spline PTO Drive Coupling		
	DWS911	1 3/8" 21 Spline PTO Drive Coupling		
		Consist Of:		
1	DWS500/1	1 3/8" 21 Spline Half Shaft c/w Guard	1	
	DWS500/2	1 3/4" 20 Spline Half Shaft c/w Guard	1	
	DWS500/3	1 3/8" 6 Spline Half Shaft c/w Guard	1	
	DWS500/4	1 3/4" 6 Spline Half Shaft c/w Guard	1	
2	DWS500/5	Half Shaft c/w Guard	1	
3	DWS500/6	Cross Journal Set	2	
4	DWS500/7	Outer Yoke	1	
5	DWS500/8	Inner Yoke	1	
6	DWS500/9	Outer Tube	1	
7	DWS500/10	Inner Tube	1	
8	DWS500/11	Half Guard (female)	1	
9	DWS500/12	Half Guard (male)	1	
10	DWS500/13	Guard Complete	1	
11	DWS500/14	1 3/4" 20 Spline Yoke	1	
12	DWS500/15	1 3/8" 21 Spline Quick Release Yoke	1	Assy DWS911 only
	DWS500/16	1 3/4" 20 Spline Quick Release Yoke	1	Assy DWS500 only
		<hr/>		
	DWS1313	RH Jackshaft Drive Coupling		200 & 70-70 Model
	DWS1314	LH Jackshaft Drive Coupling		200 & 70-70 Model
		Consist Of:		
16	DWS451/1	Cross Journal Set	2	
17	DWS451/2	Outer Yoke	1	
18	DWS451/3	Inner Yoke	1	
19	DWS451/4	1 3/4" 20 Spline Yoke	1	
20	*****	1 3/4" 20 Spline RH Clutch Yoke	1	Assy DWS1313 only
	*****	1 3/4" 20 Spline LH Clutch Yoke	1	Assy DWS1314 only
21				
22				
23	DWS451/6	Inner Tube	1	
24	DWS451/7	Outer Tube	1	
25	DWS451/8	Half Guard (female)	1	
26	DWS451/9	Half Guard (male)	1	
27	DWS451/10	Guard Complete	1	
28	DWS451/11	Half Female Shaft	1	
29	DWS451/12	Half Male Shaft	1	
		<hr/>		
	DWS1493	RH Jackshaft Drive Coupling		240 Model
	DWS1494	LH Jackshaft Drive Coupling		240 Model
		Consist Of:		
16	DWS451/1	Cross Journal Set		
17	DWS451/2	Outer Yoke		
18	DWS451/3	Inner Yoke		
19	DWS451/4	1 3/4" 20 Spline Yoke		
20	*****	1 3/4" 20 Spline RH Clutch Yoke		Assy DWS1493 only
	*****	1 3/4" 20 Spline LH Clutch Yoke		Assy DWS1494 only

Drive Couplings

Item	Part No.	Description	Qty.	Remarks
21				
22				
23	*****	Inner Tube	1	
24	*****	Outer Tube	1	
25	*****	Half Guard (female)	1	
26	*****	Half Guard (male)	1	
27	*****	Guard Complete	1	
28	*****	Half Female Shaft	1	
29	*****	Half Male Shaft		

Rear Depth Control Wheels
Assy No DWS593



3.1a

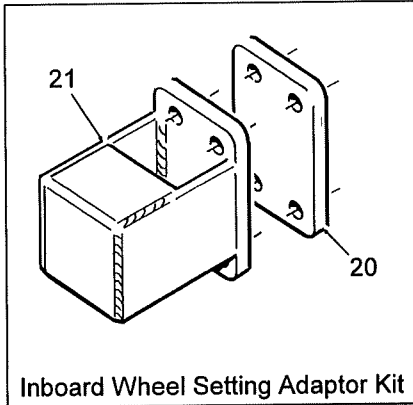
POWAVATOR 400 SPARE PARTS

Rear Depth Control Wheels

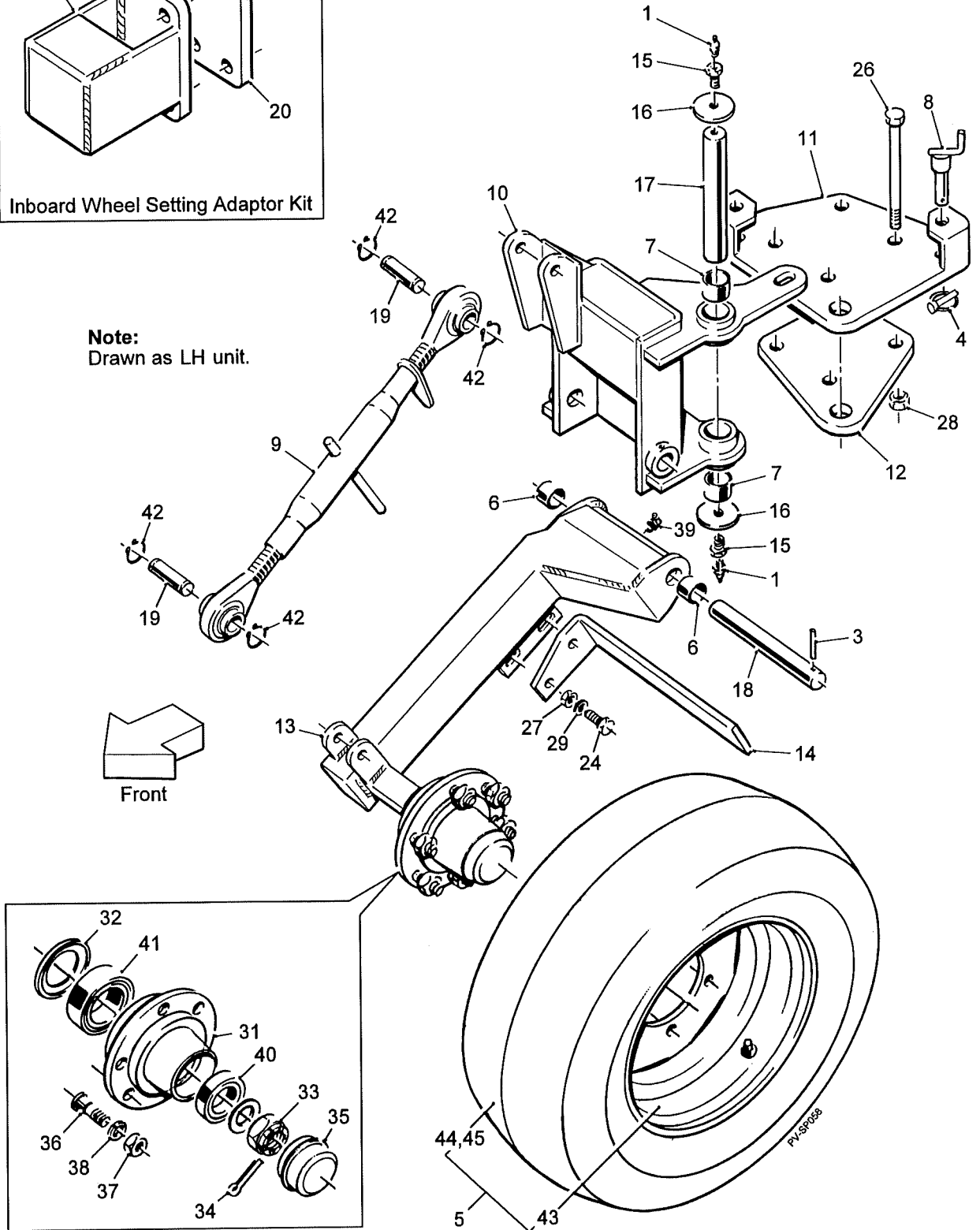
Assy No DWS593

Item	Part No.	Description	Qty.	Remarks
1	22067008/050	Ø8x50mm Roll Pin	4	
2				
3	RPC648.061002	M6 90° Grease Nipple	2	
4				
5	DW209055880	Wheel Complete	4	(see list at end)
6	DW253034303	Bush	8	
7				
8	DW50934	Clip Pin	2	
9				
10	DW801997	Flange Plate (for outer wheels)	2	
11				
12	DWS718	RH Wheel Arm	2	
13	DWS719	LH Wheel Arm	2	(not shown)
14	DWS1365	Spacer Plate	2	
15				
16	DW802850	Wheel Arm Pivot	4	
17	DWS723	Pin	8	
18				
19	DWS721	Depth Wheel Mounting LH	2	(not shown)
20	DWS722	Depth Wheel Mounting RH	2	
21	DWS614	Clamp Strip (for inner wheels)	2	
21a	DWS614A	Offset Clamp Strip (for inner wheels)	2	
22	DWS615	Clamp Stud (for inner wheels)	8	
23	DWS669	Scraper	4	
24	DWS670	Clamp Plate	4	
25	DW802842/1	Hub	2	
26	DW802842/2	Retaining Ring	2	
27	DW802842/3	Castellated Nut	2	
28	DW802842/4	Split Pin	2	
29	DW802842/5	Hub Cap	2	
30	DW802842/6	M18 Wheel Stud	12	
31	DW802842/7	M18 Wheel Nut	12	
32	DW802842/8	Washer	12	
33	DW208007980	Top Link Complete	4	
34				
35				
36	TH00500304	Outer Bearing	2	
37	TH00500307	Inner Bearing	2	
38				
39	PS843	Ø25 External Circlip	16	
40				
41				
42				
43				
44				
45				
	DW209055880	Wheel Complete Consists Of:		
46	DW209028220	Rim	1	
47	DW209058520	Tyre	1	
48	DW209061130	Tube	1	

Front Depth Control Wheels
Assy No DWS892



Note:
Drawn as LH unit.



3.2a

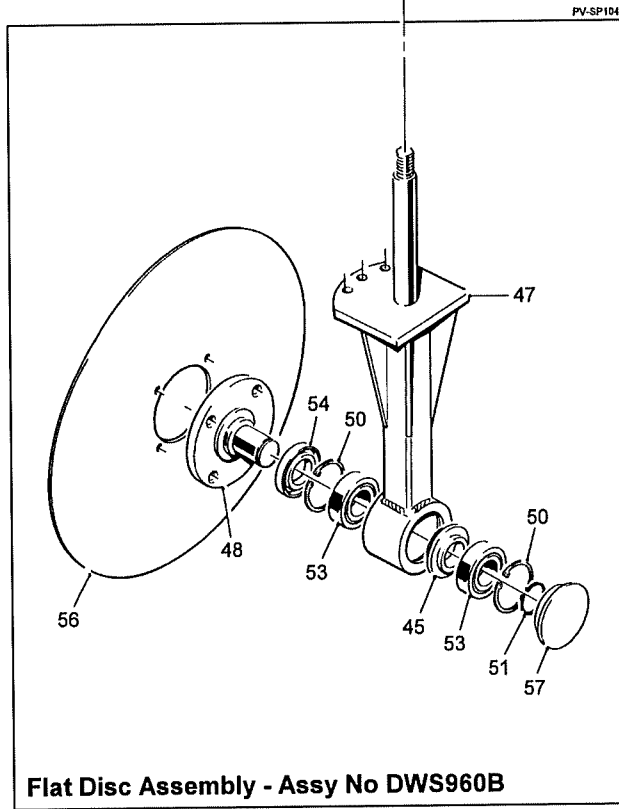
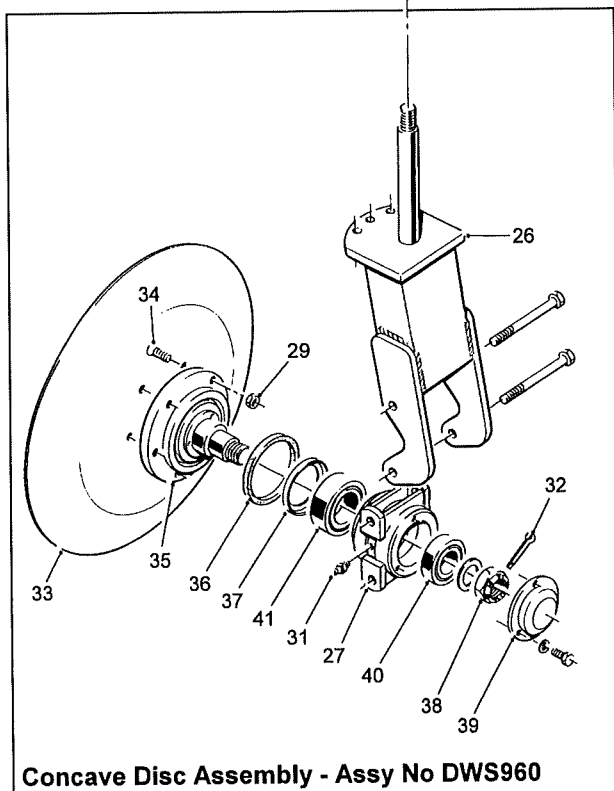
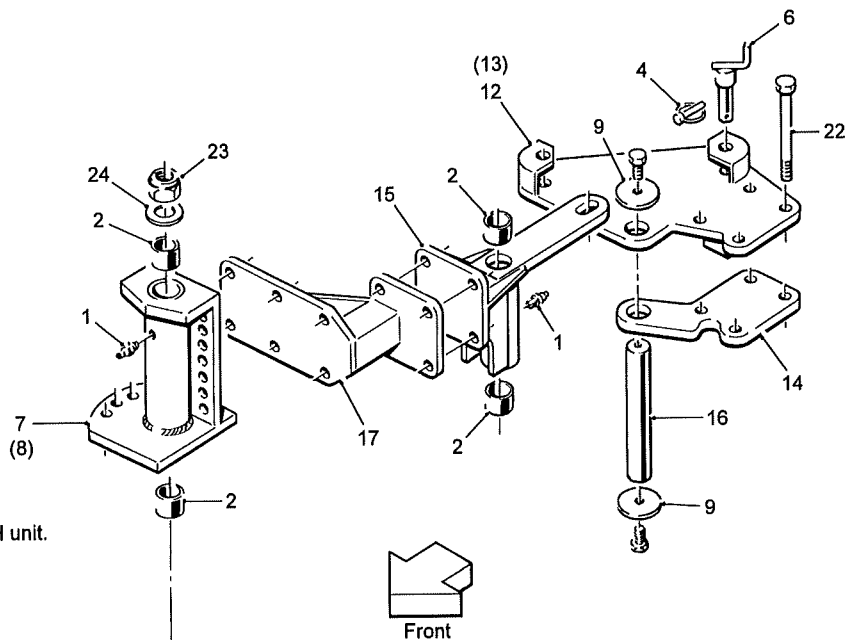
POWAVATOR 400 SPARE PARTS

Front Depth Control Wheels

Assy No DWS892

Item	Part No.	Description	Qty.	Remarks
1	DW202030870	M6 Straight Grease Nipple	4	
2				
3	22067008/050	Ø8x50 Roll Pin	2	
4	DW50934	Clip Pin	2	
5	DW209055880	Wheel Complete	2	(see list at end)
6	DW253034303	Bush	4	
7	DW254044300	Bush	4	
8	DW800647	Mounting Pin	2	
9	DW208007980	Top Link Complete	2	
10	DWS887	LH Bracket	1	
	DWS888	RH Bracket	1	(not shown)
11	DWS889	LH Upper Plate	1	
	DWS890	RH Upper Plate	1	(not shown)
12	DWS891	Lower Plate	2	
13	DWS718	RH Wheel Arm and Hub Complete	1	
	DWS717	LH Wheel Arm and Hub Complete	1	(not shown)
14	DW802845	RH Wheel Scraper	1	
	DW802846	LH Wheel Scraper	1	(not shown)
15	DW802847	Screw	4	
16	DW802848	Pivot Washer	4	
17	DW802849	Vertical Pin	2	
18	DW802850	Wheel Arm Pivot	2	
19	DWS723	Pin	4	
20	DWS962/1	Clamp Plate	2	
21	DWS962	Adaptor Bracket	2	
22				
23				
24	22012016/055	M16x55 Bolt	4	
25				
26	22012020/220	M20x220 Bolt	8	
27	22041016	M16 Nyloc Nut	4	
28	22041020	M20 Nyloc Nut	8	
29	22046016C	M16 Flat Washer	4	
30				
31	DW802842/1	Hub	2	
32	DW802842/2	Retaining Ring	2	
33	DW802842/3	Castellated Nut	2	
34	DW802842/4	Split Pin	2	
35	DW802842/5	Hub Cap	2	
36	DW802842/6	M18 Wheel Stud	12	
37	DW802842/7	M18 Wheel Nut	12	
38	DW802842/8	Washer	12	
39	RPC648.061002	M6 90°Grease Nipple	2	
40	TH00500304	Outer Bearing	2	
41	TH00500307	Inner Bearing	2	
42	PS843	Ø25 External Circlip	8	
	DW209055880	Wheel Complete Consists Of:		
43	DW209028220	Rim	1	
44	DW209058520	Tyre	1	
45	DW209061130	Tube	1	

Ø26" Intake Discs
Assy No DWS959



PV-SP104

3.3a

POWAVATOR 400 SPARE PARTS

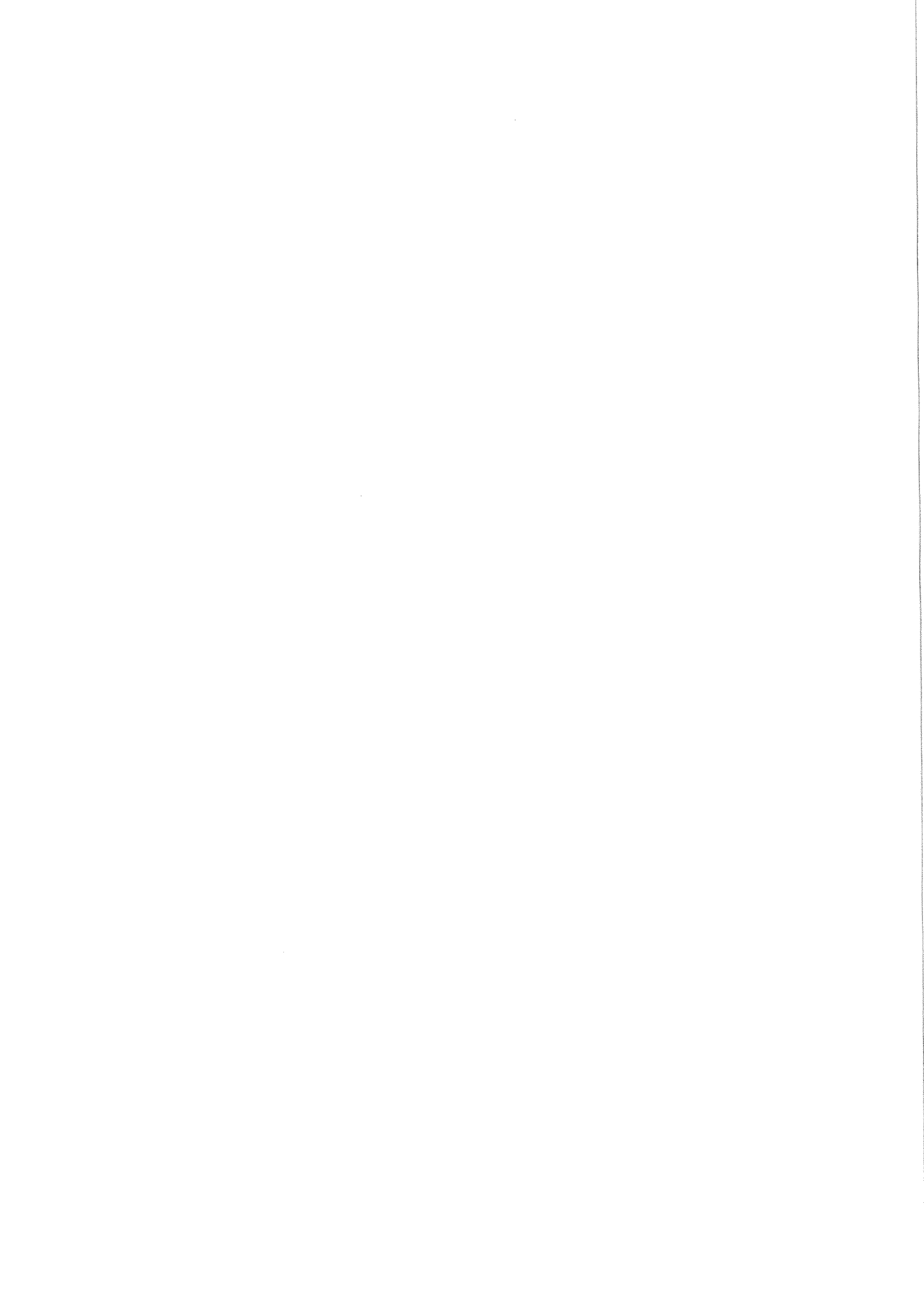
Ø26" Intake Discs

Assy No DWS959

Item	Part No.	Description	Qty.	Remarks
1	DW202030030	1/4"UNF Grease Nipple Straight	4	
2	DW254044300	Bush	8	
3				
4	DW50934	Clip Pin	2	
5				
6	DW800647	Mounting Pin	2	
7	DW801858	Pivot Plate LH	1	
8	DW801859	Pivot Plate RH	1	(not shown)
9	DW802848	Pivot Washer	4	
10				
11				
12	DWS882	Upper Plate LH	1	
13	DWS883	Upper Plate RH	1	(not shown)
14	DWS884	Lower Plate	2	
15	DWS885	Disc Arm	2	
16	DWS886	Pivot Pin	2	
17	DWS923	Adaptor Bracket	2	
18				
19				
20				
21				
22	22012020/220	M20x220 Bolt	8	
23	22041030	M30 Nyloc Nut	2	
24	22046030B	M30 Flat Washer	2	
25				
	DWS960	Concave Disc Assembly Consists Of:		
26	DW801844	Hub Mounting	2	
27	DW801847	Hub	2	
28				
29	DW307512055	M12 Fine Nyloc Nut	10	Was DW107107015
30				
31	DW202030870	M6 Grease Nipple Straight	2	Was DW202030030
32	DW208010475	Split Pin (Ø1/4"x3")	2	
33	DW222008001	Ø26" Concave Disc	2	
34	DW331112455	M12x45 Fine Bolt	10	Was DW222008004
35	DW222008005	Disc Spindle	2	
36	DW222008006	Felt Seal	2	
37	DW222008007	Grease Retainer	2	
38	DW222008009	Castellated Nut	2	
39	DW222008010	Hub Cap	2	
40	DW251736110	Bearing	2	
41	DW256711301	Bearing	2	
42				
	DWS960B	Flat Disc Assembly Consists Of:		
45	59711	Bearing Spacer	2	
46				
47	DWS384	Disc Leg	2	
48	DWS385	Disc Spindle	2	
49				
50	W0116	Ø75 Internal Circlip	4	
51	W0117	Ø45 External Circlip	2	

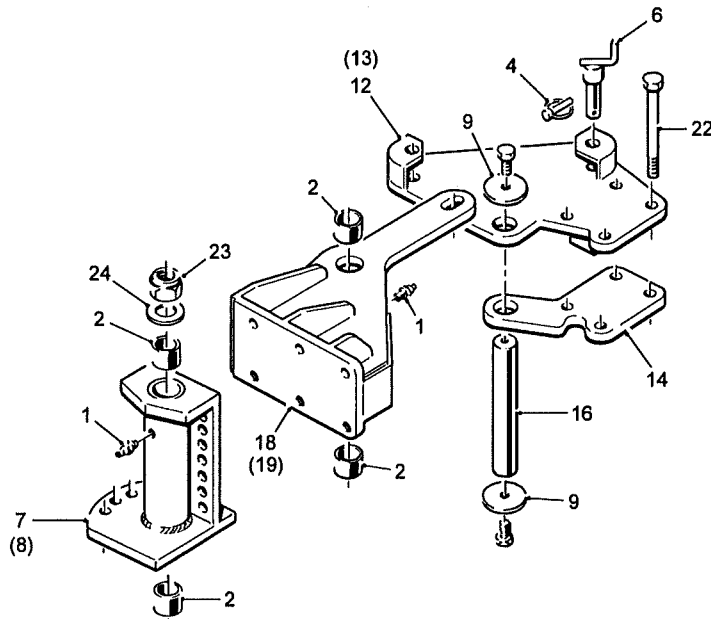
POWAVATOR 400 SPARE PARTS**3.3b****Ø26" Intake Discs****Assy No DWS959**

Item	Part No.	Description	Qty.	Remarks
52				
53	6009RS	Bearing	4	
54	6009ZJV	Nilos Ring	2	
55				
56	0000200003	Ø26" Flat Disc	2	
57	2000703003	Dust Cap	2	

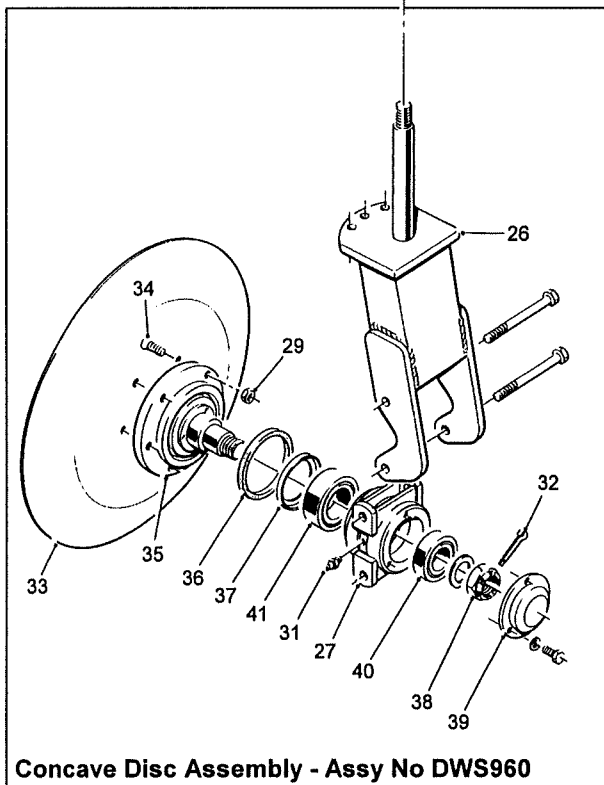


Machines from 2024

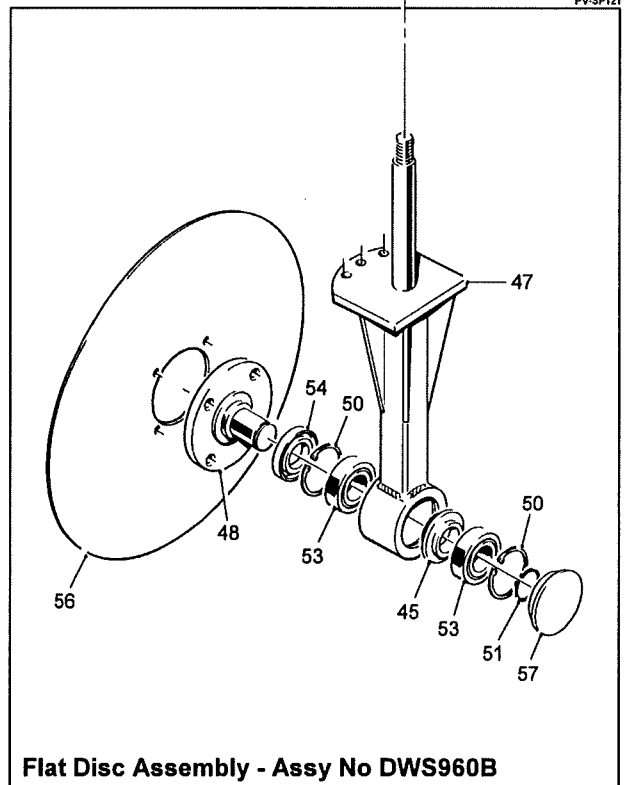
Ø26" Intake Discs
Assy No DWS959A



Drawn as LH unit.



Concave Disc Assembly - Assy No DWS960



Flat Disc Assembly - Assy No DWS960B

PV-SP121

3.3a

POWAVATOR 400 SPARE PARTS

Machines from 2024

Ø26" Intake Discs

Assy No DWS959A

Item	Part No.	Description	Qty.	Remarks
1	DW202030030	1/4"UNF Grease Nipple Straight	4	
2	DW254044300	Bush	8	
3				
4	DW50934	Clip Pin	2	
5				
6	DW800647	Mounting Pin	2	
7	DW801858	Pivot Plate LH	1	
8	DW801859	Pivot Plate RH	1	(not shown)
9	DW802848	Pivot Washer	4	
10				
11				
12	DWS882	Upper Plate LH	1	
13	DWS883	Upper Plate RH	1	(not shown)
14	DWS884	Lower Plate	2	
15			2	
16	DWS886	Pivot Pin	2	
17				
18	DWS1489	Disc Arm LH	1	
19	DWS1490	Disc Arm RH	1	(not shown)
20				
21				
22	22012020/220	M20x220 Bolt	8	
23	22041030	M30 Nyloc Nut	2	
24	22046030B	M30 Flat Washer	2	
25				
	DWS960	Concave Disc Assembly Consists Of:		
26	DW801844	Hub Mounting	2	
27	DW801847	Hub	2	
28				
29	DW307512055	M12 Fine Nyloc Nut	10	
30				
31	DW202030870	M6 Grease Nipple Straight	2	
32	DW208010475	Split Pin (Ø1/4"x3")	2	
33	DW222008001	Ø26" Concave Disc	2	
34	DW331112455	M12x45 Fine Bolt	10	
35	DW222008005	Disc Spindle	2	
36	DW222008006	Felt Seal	2	
37	DW222008007	Grease Retainer	2	
38	DW222008009	Castellated Nut	2	
39	DW222008010	Hub Cap	2	
40	DW251736110	Bearing	2	
41	DW256711301	Bearing	2	
42				
	DWS960B	Flat Disc Assembly Consists Of:		
45	59711	Bearing Spacer	2	
46				
47	DWS384	Disc Leg	2	
48	DWS385	Disc Spindle	2	
49				
50	W0116	Ø75 Internal Circlip	4	
51	W0117	Ø45 External Circlip	2	

POWAVATOR 400 SPARE PARTS

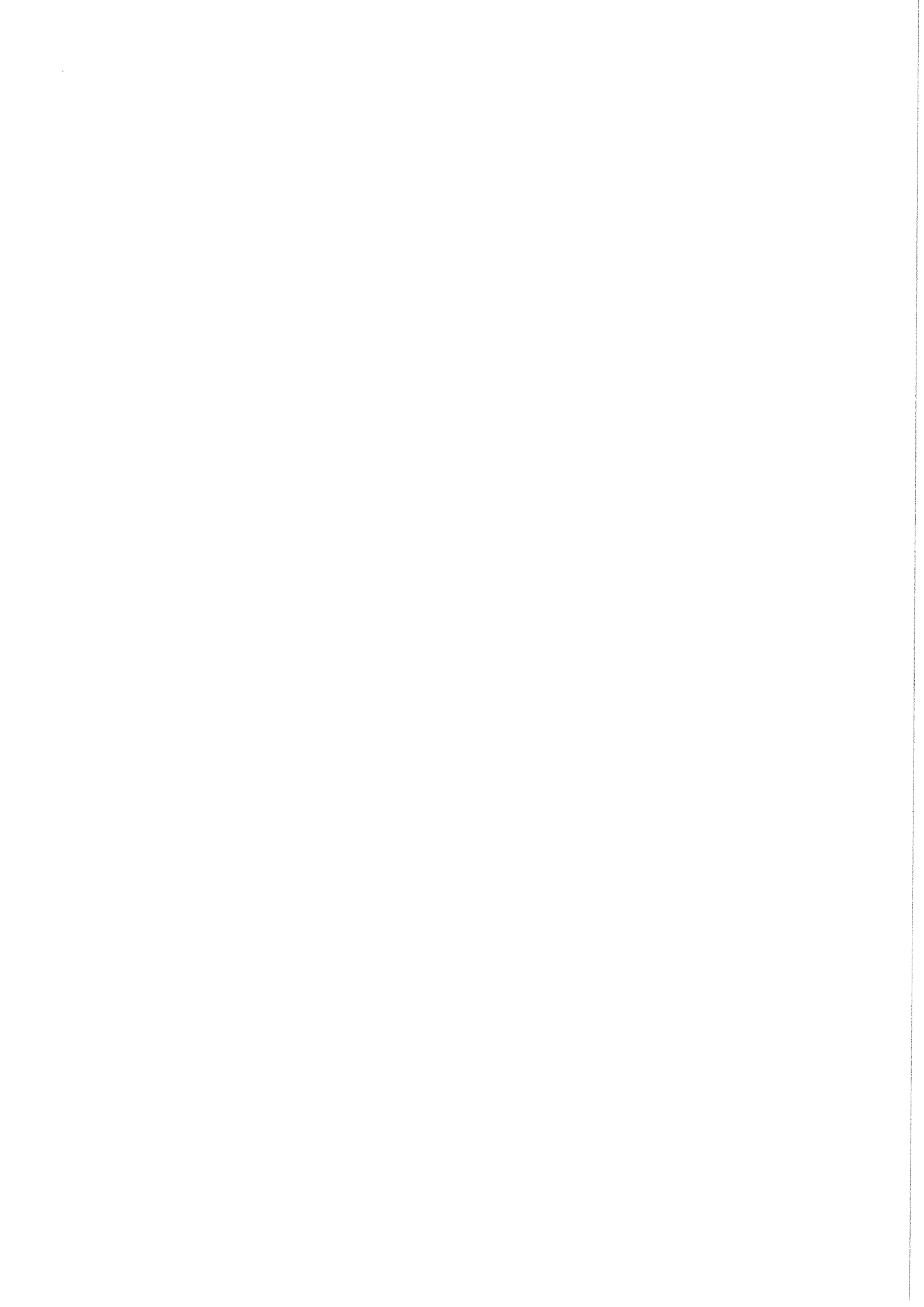
3.3b

Machines from 2024

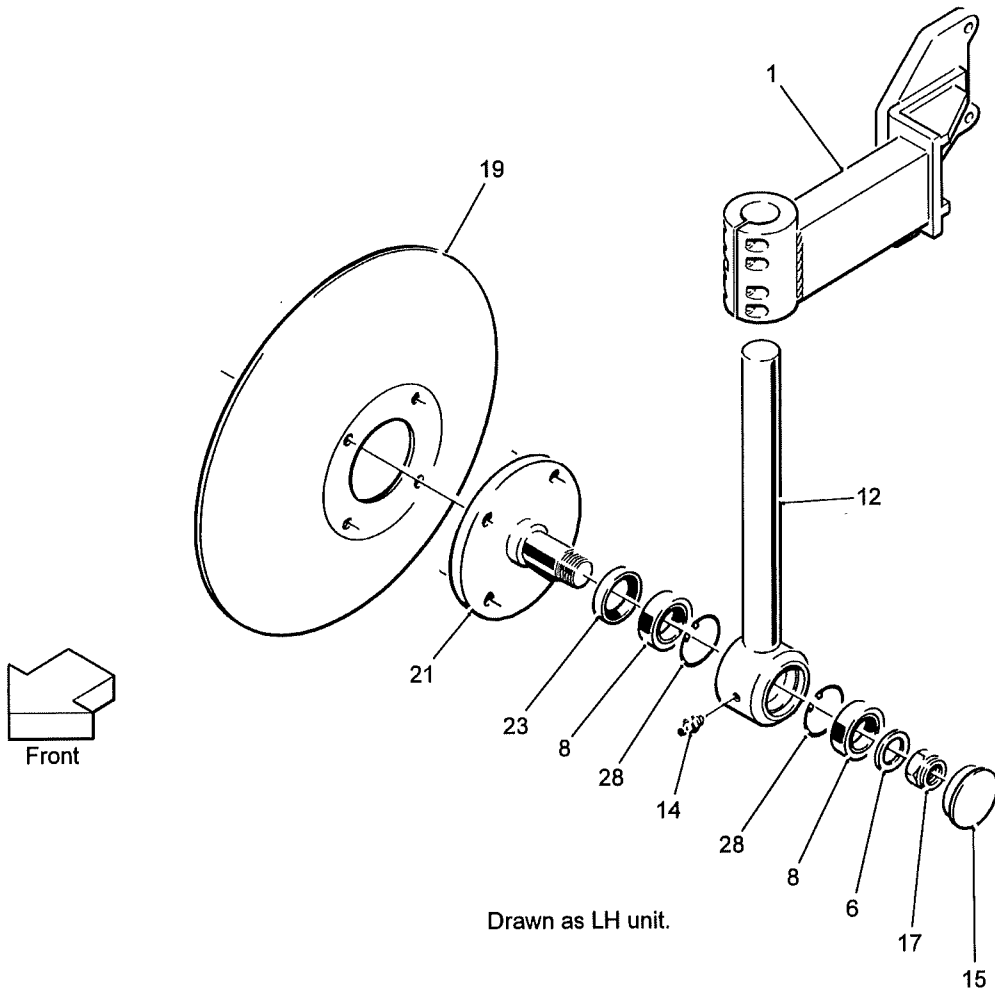
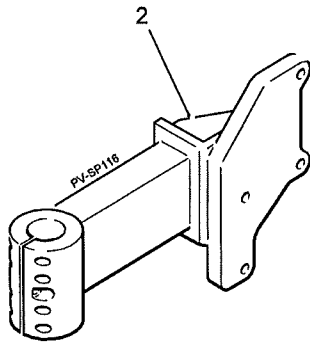
Ø26" Intake Discs

Assy No DWS959A

Item	Part No.	Description	Qty.	Remarks
52				
53	6009RS	Bearing	4	
54	6009ZJV	Nilos Ring	2	
55				
56	0000200003	Ø26" Flat Disc	2	
57	2000703003	Dust Cap	2	



Ø18" Intake Discs
Assy No RPA580.309454/5B



3.4a

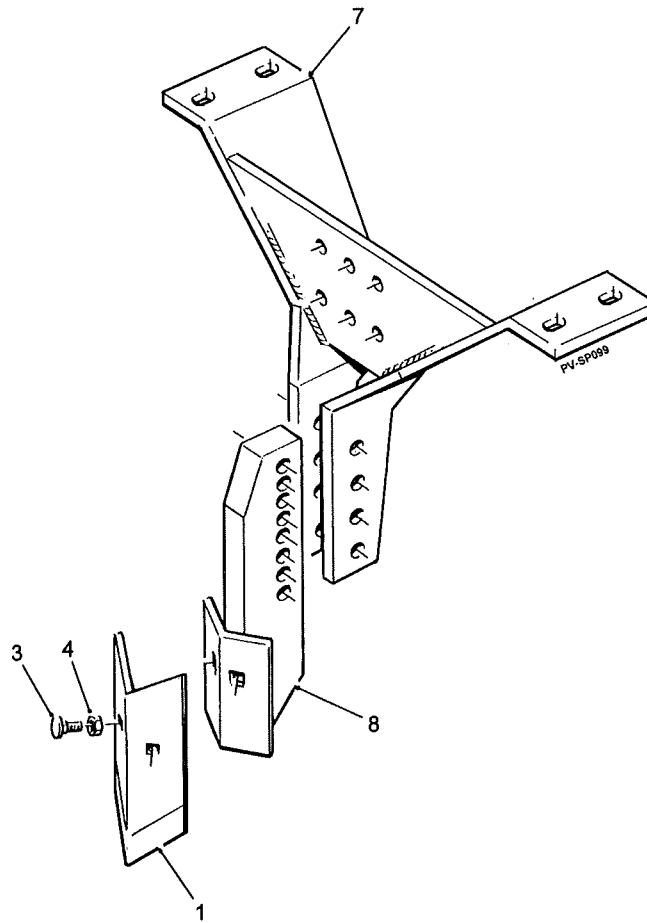
POWAVATOR 400 SPARE PARTS

Ø18" Intake Discs

Assy No RPA580.309454/5B

Item	Part No.	Description	Qty.	Remarks
1	DWS1469A	Disc Mounting Arm LH	1	
2	DWS1470A	Disc Mounting Arm RH	1	
3				
4				
5				
6	22046030B	M30 Flat Washer	2	
7				
8	60072RS	Bearing	4	
9				
10				
11				
12	RPA610.307364	Disc Shank	2	
13				
14	RPC648.081250	M8 Grease Nipple Straight	2	
15	RPC700.300441	Plastic End Cap	2	
16				
17	RPF180.230000	M30 Special Lock Nut	2	
18				
19	RPGMRP089.01825	Ø18" Concave Disc	2	
20				
21	RPM180.300241	Disc Spindle	2	
22				
23	RPS200.406810	Oil Seal	2	
24				
25				
26				
27				
28	W0168	Ø62 Internal Circlip	4	

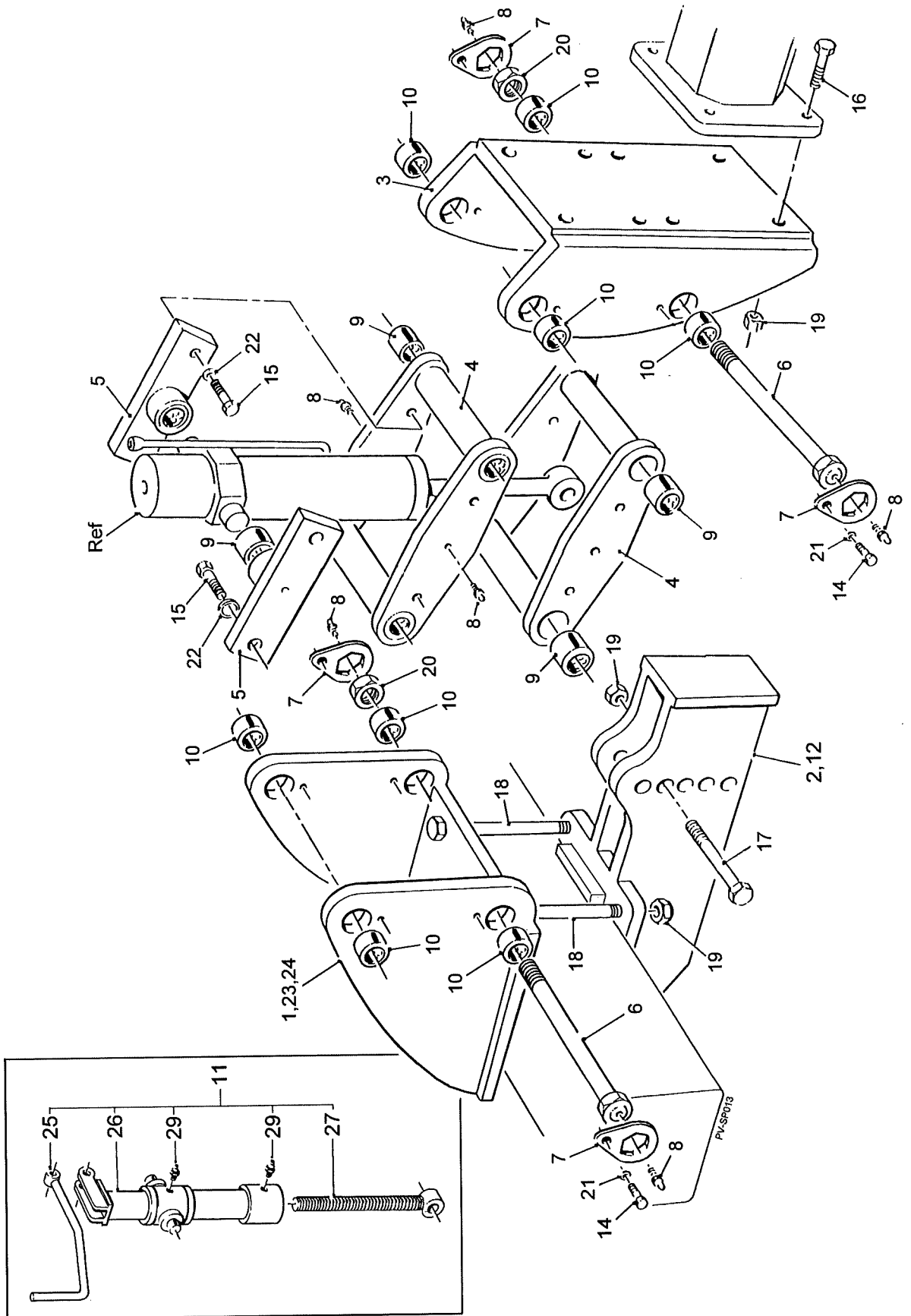
Centre Divider



3.5a**POWAVATOR 400 SPARE PARTS****Centre Divider**

Item	Part No.	Description	Qty.	Remarks
1	DW801276	Point	1	
2				
3	DW222008069	M12x42mm Special Taper Bolt	2	
4	DW307512055	M12 Nyloc Nut	2	
5				
6				
7	DWS532	Divider Mounting	1	
8	DWS604	Straight Divider Tine	1	

Parallel Linkage



3.6a

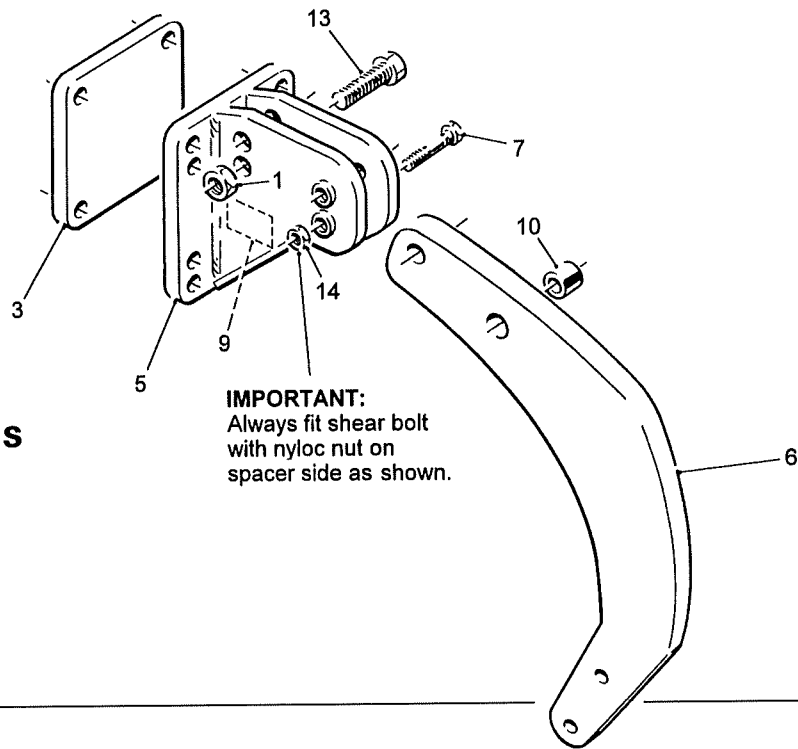
POWAVATOR 400 SPARE PARTS

Parallel Linkage

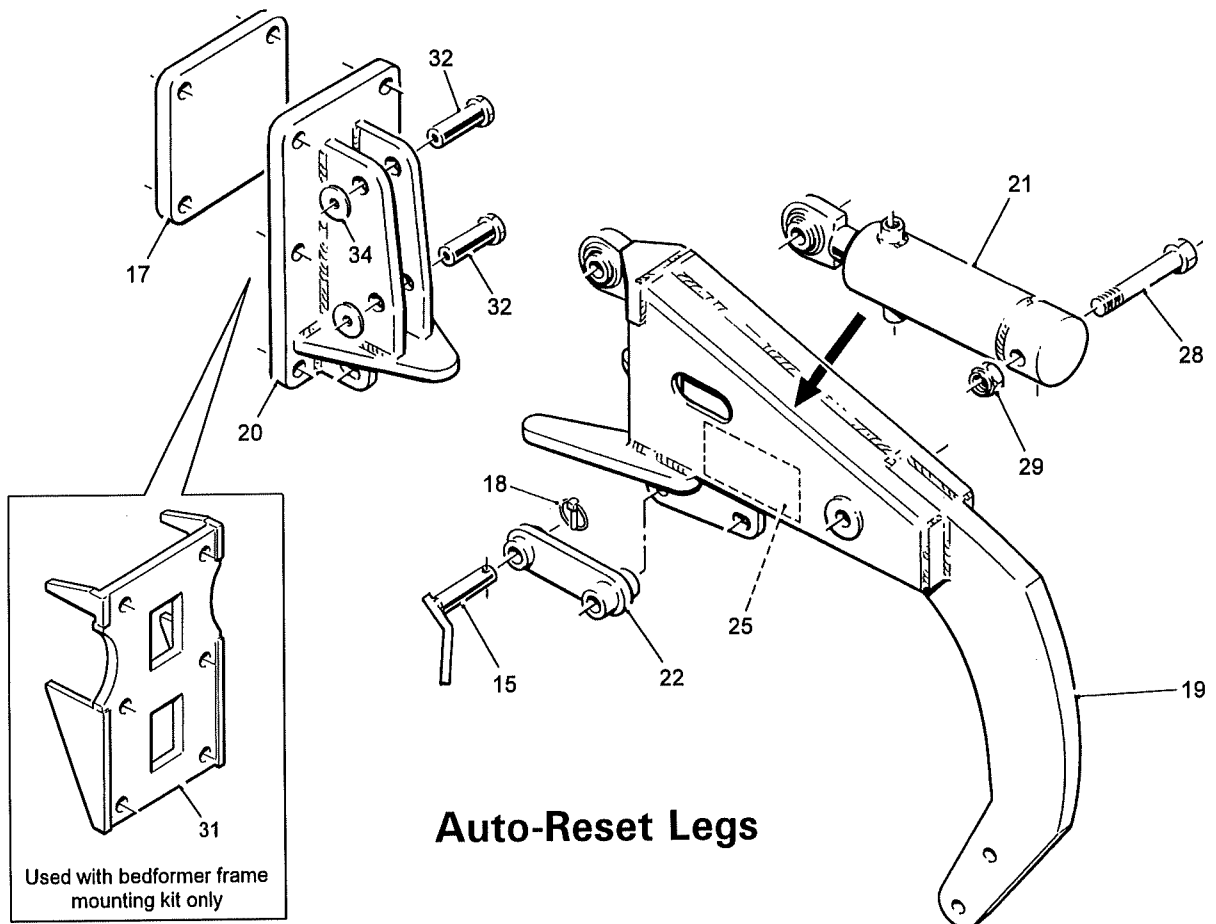
Item	Part No.	Description	Qty.	Remarks
1	DW802501	Linkage Bracket	4	Qty x2 for 76"work
2	DW802505	Bottom Bracket (outer furrowers)	2	
3	DW802508	Bracket	4	
4	DW802512	Link	8	
5	DW802515	Ram Pivot	8	
6	DW802683	Pivot Pin	16	
7	DW802685	Lock Plate	32	
8	DW202030870	M6 Grease Nipple	40	
9	DW252528203	Bush	40	
10	DW252531200	Bush	32	
11	DWS315	Manual Adjuster	2	(see list at end)
12	DWS348	Bottom Bracket (centre furrowers)	2	
	DWS576	Bottom Bracket (LH centre furrower)	1	76"work only
	DWS577	Bottom Bracket (RH centre furrower)	1	76"work only
13				
14	22011008/020	M8x20mm Hex Head Bolt	32	
15	22011016/040	M16x40mm Hex Head Bolt	16	
16	22012020/070	M20x70mm Hex Head Bolt	16	
17	22012020/110	M20x110mm Hex Head Bolt	4	
18	22012020/220	M20x220mm Hex Head Bolt	16	
19	22041020	M20 Nyloc Nut	36	
20	22041024	M24 Nyloc Nut	16	
21	22052008	M8 Spring Washer	32	
22	22052016	M16 Spring Washer	16	
23	DWS574	LH Linkage Bracket	1	For 76"work only
24	DWS575	RH Linkage Bracket	1	For 76"work only
	DWS315	Manual Adjuster Consists Of:		
25	50039	Depth Handle	1	
26	DWS312	Adjuster	1	
27	DWS313	Adjuster Screw	1	
28				
29	RPC648.081250	M8 Grease Nipple Straight	2	Was GS411

Furrower Legs

Shear Bolt Legs



PV-SP000



3.7a

POWAVATOR 400 SPARE PARTS

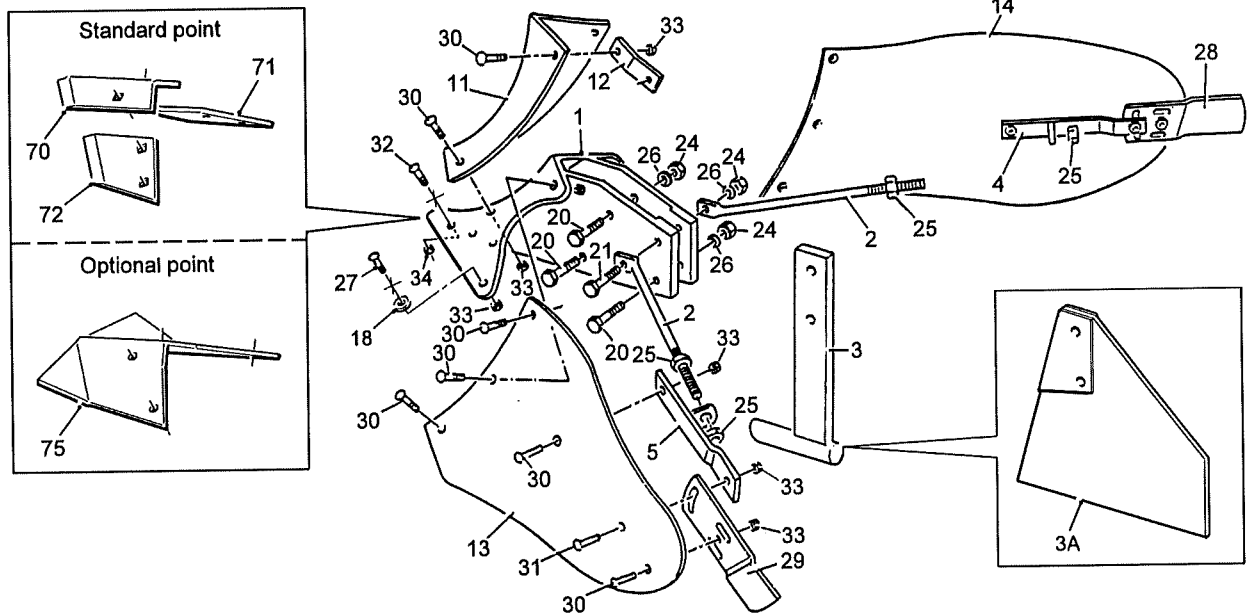
Furrower Legs

Item	Part No.	Description	Qty.	Remarks
1	DW107116015	Shear Bolt Leg Consists Of: 1"UNF Full Nut	1	
2				
3	DW801997	Flange Plate	1	
4				
5	DWS707	Leg Mounting	1	
6	DWS505	Shear Bolt Leg	1	
7	DWS506	Shear Bolt	1	
8				
9	TR473	"Shear Bolt Fitting" Decal	1	
10	DWS933	Shear Bolt Bush	1	
11				
12				
13	22025100/375	1"UNF x 3 3/4" Setscrew	1	
14	22041016	M16 Nyloc Nut	1	
		<hr/>		
		Auto-Reset Leg Consists Of:		
15	43025	Hitch Pin	1	
16				
17	DW801997	Flange Plate	1	
18	DWS1533	Linch Pin	1	Was DW50934
19	DWS509	Hydraulic Leg	1	
20	DWS510	Hydraulic Leg Mount	1	
21	DWS714	Break-back Ram	1	
22	DWS787	Leg Locking Arm	1	
23				
24				
25	TR476	"Warning Leg Locking" Decal	1	
26				
27				
28	22012024/160	M24x160 Bolt	1	
29	22041024	M24 Nyloc Nut	1	
30				
31	DWS1375	Anti-twist Plate	1	Used with bedformer frame kit
32	DWS1095	Pivot Pin	2	
33				
34	SS040011/003	Steel Spacer	2	

Furrower Bodies

Standard Furrower

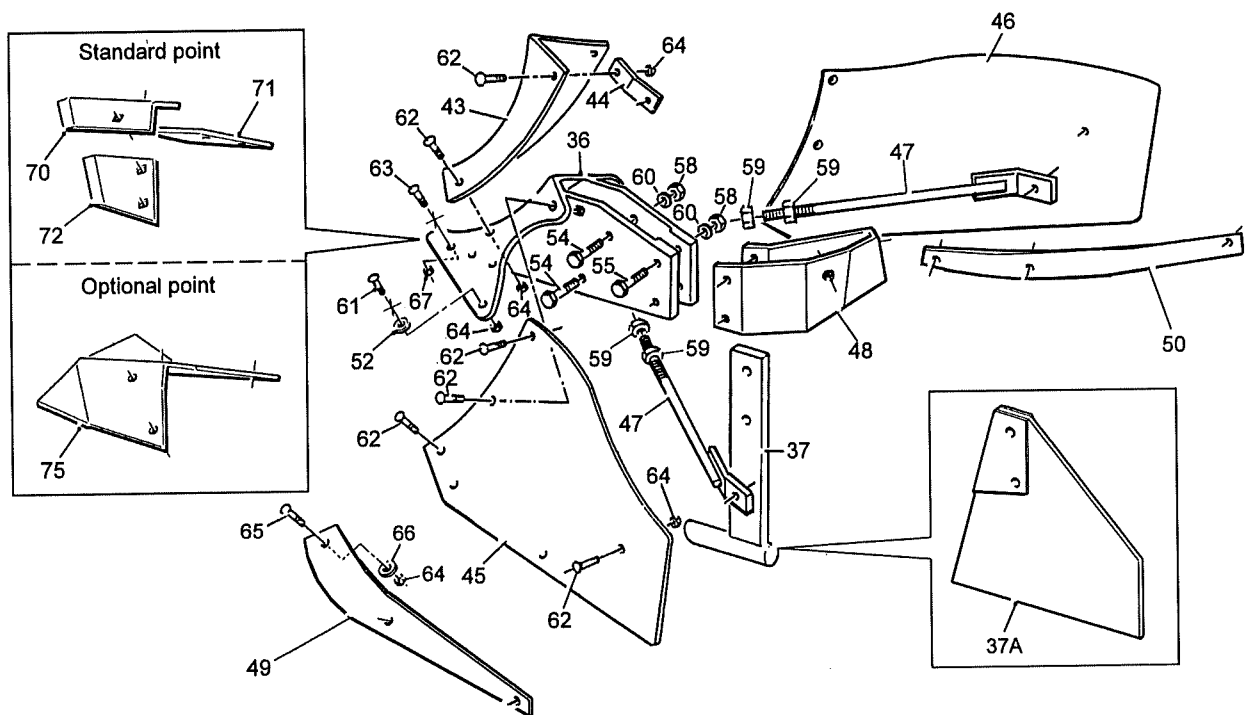
Assy No DWS662A



BF-SP062

Convex Furrower

Assy No DWS661A



3.8a

POWAVATOR 400 SPARE PARTS

Furrower Assemblies

Standard Furrower - Assy No DWS662A

Convex Furrower - Assy No DWS661A

Item	Part No.	Description	Qty.	Remarks
	DWS662A	Standard Furrower Consists Of:		
1	DWS579	Frog	1	
2	DW801080	Adjustable Stay	2	
3	DW801084	Mole	1	Option
3A	DWS330	Tracking Fin	1	Option
4	DW801087	Stay Bracket RH	1	
5	DW801088	Stay Bracket LH	1	
6				
7				
8				
9				
10				
11	DW801934	Shin	1	
12	DW801937	Connecting Strap	2	
13	DW801938	High Mouldboard LH	1	
14	DW801939	High Mouldboard RH	1	
15				
16				
17				
18	DWS932	Grey Board Washer	4	
19				
20	22028075/325	3/4"UNCx 3 1/4"Bolt	3	
21	22028075/375	3/4"UNCx 3 3/4"Bolt	1	
22				
23			1	
24	22090075	3/4"UNC Nut	4	
25	22029020	M20 Plain Nut	4	
26	DW108122045	3/4" Spring Washer	4	
27	DW222008077	M12 Fine x37 Taper Head Bolt	4	
28	DW222008064	Tail RH	1	
29	DW222008065	Tail LH	1	
30	DW222008072	M12 Fine x30 CSK Nibbed Bolt	14	
31	DW222008074	M12 Fine x45 CSK Nibbed Bolt	2	
32	DW222008020	M12 Fine x32 Taper Head Bolt	2	
33	DWS113	M12 Fine Whiz-locknut	20	
34	DW307512055	M12 Fine Nyloc Nut	2	
35				
	DWS661A	Convex Furrower Consists Of:		
36	DWS579	Frog	1	
37	DW801084	Mole	1	Option
37A	DWS330	Tracking Fin	1	Option
38				
39				
40				
41				
42				
43	DW801934	Shin	1	
44	DW801937	Connecting Strap	2	
45	DWS151	Convex Mouldboard LH	1	
46	DWS152	Convex Mouldboard RH	1	
47	DW802854	Adjustable Stay	2	

POWAVATOR 400 SPARE PARTS

3.8b

Furrower Assemblies

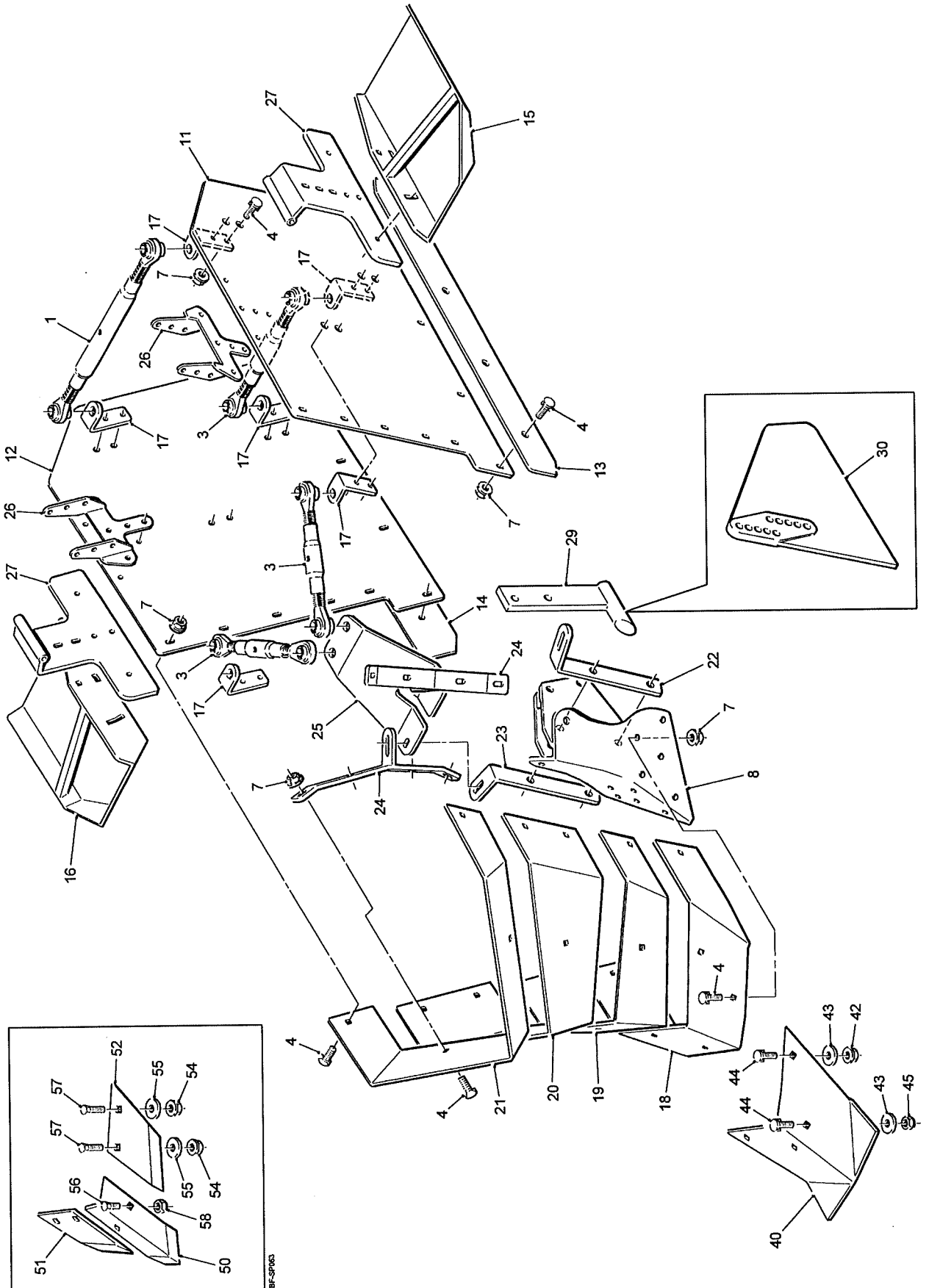
Standard Furrower - Assy No DWS662A

Convex Furrower - Assy No DWS661A

Item	Part No.	Description	Qty.	Remarks
48	DW802855	Stay Bracket	1	
49	DWS153	LH Wear Strip	1	
50	DWS154	RH Wear Strip	1	
51				
52	DWS932	Grey Board Washer	4	
53				
54	22028075/325	3/4"UNCx 3 1/4"Bolt	2	
55	22028075/400	3/4"UNCx 4"Bolt	2	
56				
57				
58	22090075	3/4"UNC Nut	4	
59	22029020	M20 Plain Nut	4	
60	DW108122045	3/4"Spring Washer	4	
61	DW222008077	M12 Fine x37 Taper Head Bolt	4	
62	DW222008072	M12 Fine x30 CSK Nibbed Bolt	12	
63	DW222008020	M12 Fine x32 Taper Head Bolt	2	
64	DWS113	M12 Fine Whiz-locknut	22	
65	DW222008073	M12 Fine x35 CSK Nibbed Bolt	6	
66	SS040013/003	Washer	6	
67	DW307512055	M12 Fine Nyloc Nut	2	
<hr/>				
	DWS1413	Standard Wear Point Consists Of:		
70	DW801276	Point	1	
71	DW801277	Wing RH	1	
72	DW801278	Wing LH	1	
<hr/>				
		Optional Wear Point Consists Of:		
75	DWS1392	Large Wear Point	1	



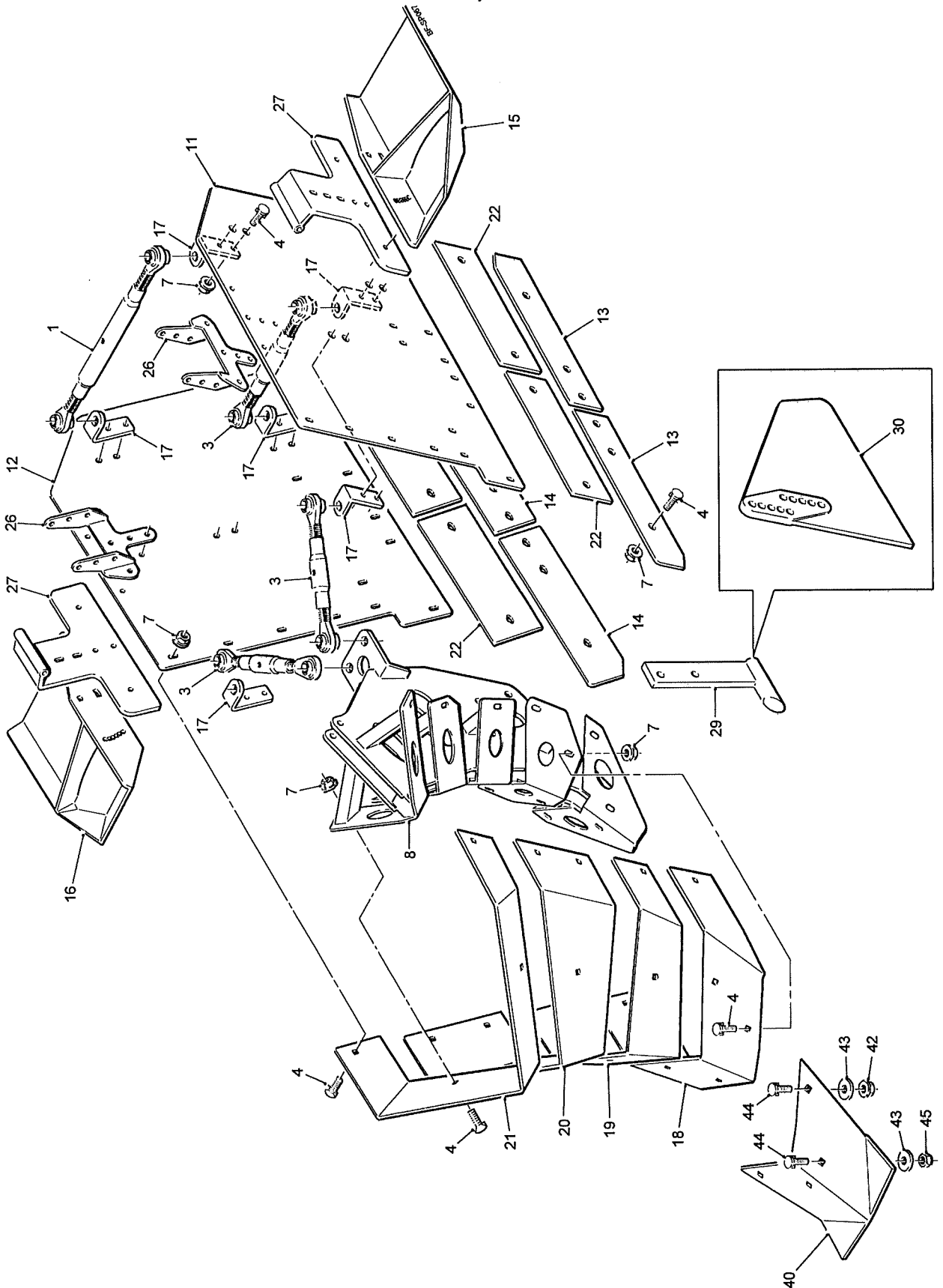
Square Sided Furrower Assembly
Assy No DWS1415



3.9a**POWAVATOR 400 SPARE PARTS****Square Sided Furrower Assembly****Assy No DWS1415**

Item	Part No.	Description	Qty.	Remarks
1	43048	Adjustable Link	1	
2				
3	DW208007970	Adjustable Link	3	
4	DW222008073	M12 Fine x35 CSK Nibbed Bolt	40	
5				
6				
7	DWS113	M12 Fine Whiz-locknut	40	
8	DWS579	Frog	1	
9				
10				
11	DWS1350	Mouldboard LH	1	
12	DWS1351	Mouldboard RH	1	
13	DWS1352	Wear Plate LH	1	
14	DWS1353	Wear Plate RH	1	
15	DWS1354	Shaper Wing LH	1	
16	DWS1355	Shaper Wing RH	1	
17	DWS1359	Link Support Plate	6	
18	DWS1400	Lower Board	1	
19	DWS1401	Lower Middle Board	1	
20	DWS1402	Upper Middle Board	1	
21	DWS1403	Upper Board	1	
22	DWS1404	Support LH	1	
23	DWS1405	Support RH	1	
24	DWS1406	Support Bracket	2	
25	DWS1407	Link Plate	1	
26	DWS1416	Shaper Mounting Bracket	2	
27	DWS1417	Shaper Hinge Bracket	2	
28				
29	DW801084	Mole	1	Option
30	DWS330	Tracking Fin	1	Option
		Standard Wear Point Consists Of:		
40	DWS1392	Large Wear Point	1	
41				
42	DWS113	M12 Fine Whiz-locknut	2	
43	DWS932	Grey Board Washer	4	
44	DW222008073	M12 Fine x35 CSK Nibbed Bolt	4	
45	DW307512055	M12 Fine Nyloc Nut	2	
		Optional Wear Point Consists Of:		
50	DW801276	Point	1	
51	DW801277	Wing RH	1	
52	DW801278	Wing LH	1	
53				
54	DWS113	M12 Fine Whiz-locknut	4	
55	DWS932	Grey Board Washer	4	
56	DW222008020	M12 Fine x32 Taper Head Bolt	2	
57	DW222008077	M12 Fine x37 Taper Head Bolt	4	
58	DW307512055	M12 Fine Nyloc Nut	2	

Square Sided Furrower Assembly
Assy No DWS1415



3.9a

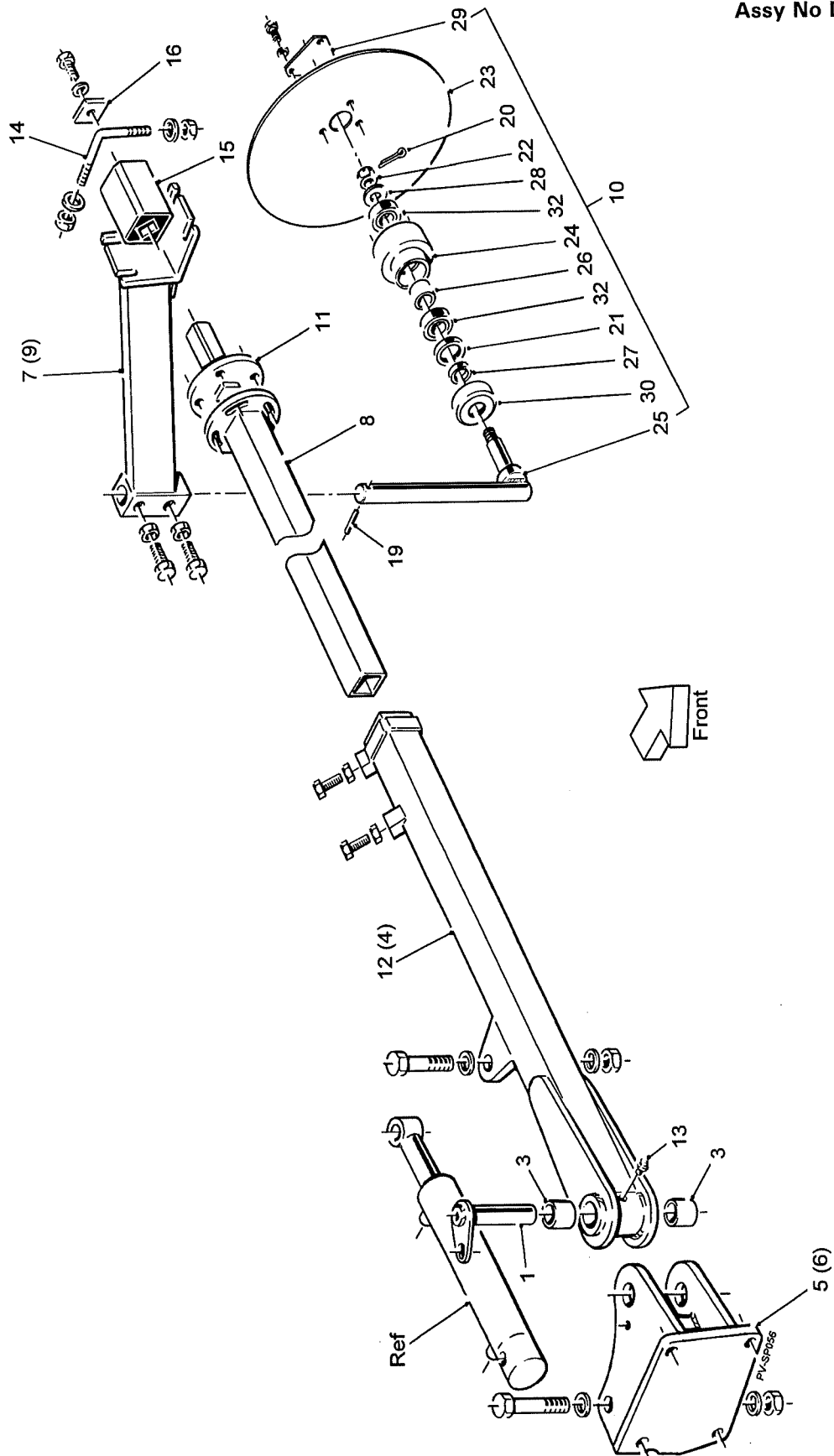
POWAVATOR 400 SPARE PARTS

Square Sided Furrower Assembly

Assy No DWS1415

Item	Part No.	Description	Qty.	Remarks
1	43048	Adjustable Link	1	
2				
3	DW208007970	Adjustable Link	3	
4	DW222008072	M12 Fine x30 CSK Nibbed Bolt	54	
5				
6				
7	DWS113	M12 Fine Whiz-locknut	48	
8	DWS1480	Frog	1	
9				
10				
11	DWS1350	Mouldboard LH	1	
12	DWS1351	Mouldboard RH	1	
13	DWS1352A	Wear Plate LH	2	
14	DWS1353A	Wear Plate RH	2	
15	DWS1354A	Shaper Wing LH	1	
16	DWS1355A	Shaper Wing RH	1	
17	DWS1359	Link Support Plate	6	
18	DWS1400	Lower Board	1	
19	DWS1401	Lower Middle Board	1	
20	DWS1402	Upper Middle Board	1	
21	DWS1403	Upper Board	1	
22	DWS1495	Wear Plate	4	
23				
24				
25				
26	DWS1416	Shaper Mounting Bracket	2	
27	DWS1417	Shaper Hinge Bracket	2	
28				
29	DW801084	Mole	1	Option
30	DWS330	Tracking Fin	1	Option
<hr/>				
40	DWS1392	Standard Wear Point Consists Of: Large Wear Point	1	
41				
42	DWS113	M12 Fine Whiz-locknut	2	
43	DWS932	Grey Board Washer	4	
44	DW222008072	M12 Fine x30 CSK Nibbed Bolt	4	
45	DW307512055	M12 Fine Nyloc Nut	2	

Disc Markers
Assy No DWS783



3.10a

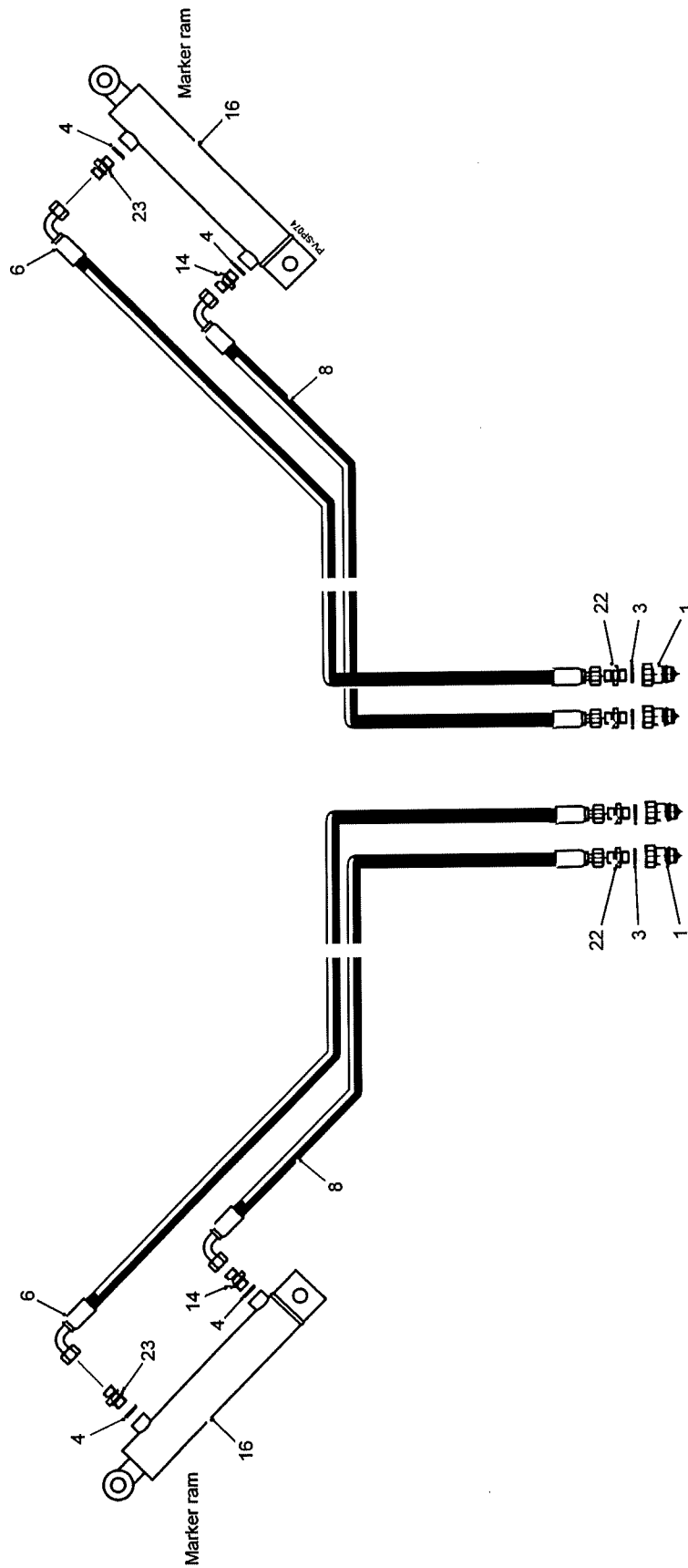
POWAVATOR 400 SPARE PARTS

Disc Markers

Assy No DWS783

Item	Part No.	Description	Qty.	Remarks
1	DWS854	Pivot Pin	2	
2				
3	DWS171	Nylon Bush	4	
4	DWS739	Marker Arm	1	(not shown)
5	DWS740	LH Mounting Bracket	1	
6	DWS741	RH Mounting Bracket	1	(not shown)
7	DWS815	Leg Mounting Bracket	1	
8	DWS816	Leg Mounting Arm	2	
9	DWS815	Leg Mounting Bracket	1	(not shown)
10	DWS837	Disc Assembly	2	(see list at end)
11	DWS841	Marker Arm Tension Bracket	2	
12	DWS963	Marker Arm	1	
13	GS412	1/8" BSP Straight Grease Nipple	2	
14	RPF122.116115	M16 'L' Bolt	4	
15	RPGMRP084.00001	Rubber Torsion Unit	2	
16	RPM152.303434	Retainer	2	
17				
18				
19	22067008/050	Ø8x50 Roll Pin	2	
	DWS837	Disc Assembly Consists Of:		
20	DW208016780	Split Pin	1	
21	DW266240071	Seal	1	
22	DW307212080	M12 Castellated Nut	1	
23	DW802703	Disc	1	
24	DWS839	Hub	1	
25	DWS838	Disc Leg	1	
26	DW802933	Spacer	1	
27	DW802934	Sealing Ring	1	
28	DW802935	Washer	1	
29	DWS840	Hub Cover Plate	1	
30	DW802937	Dust Cover	1	
31			1	
32	62062RS	Bearing	2	

Disc Marker Individual Operation Hydraulics
Assy No DWS900



4.1a

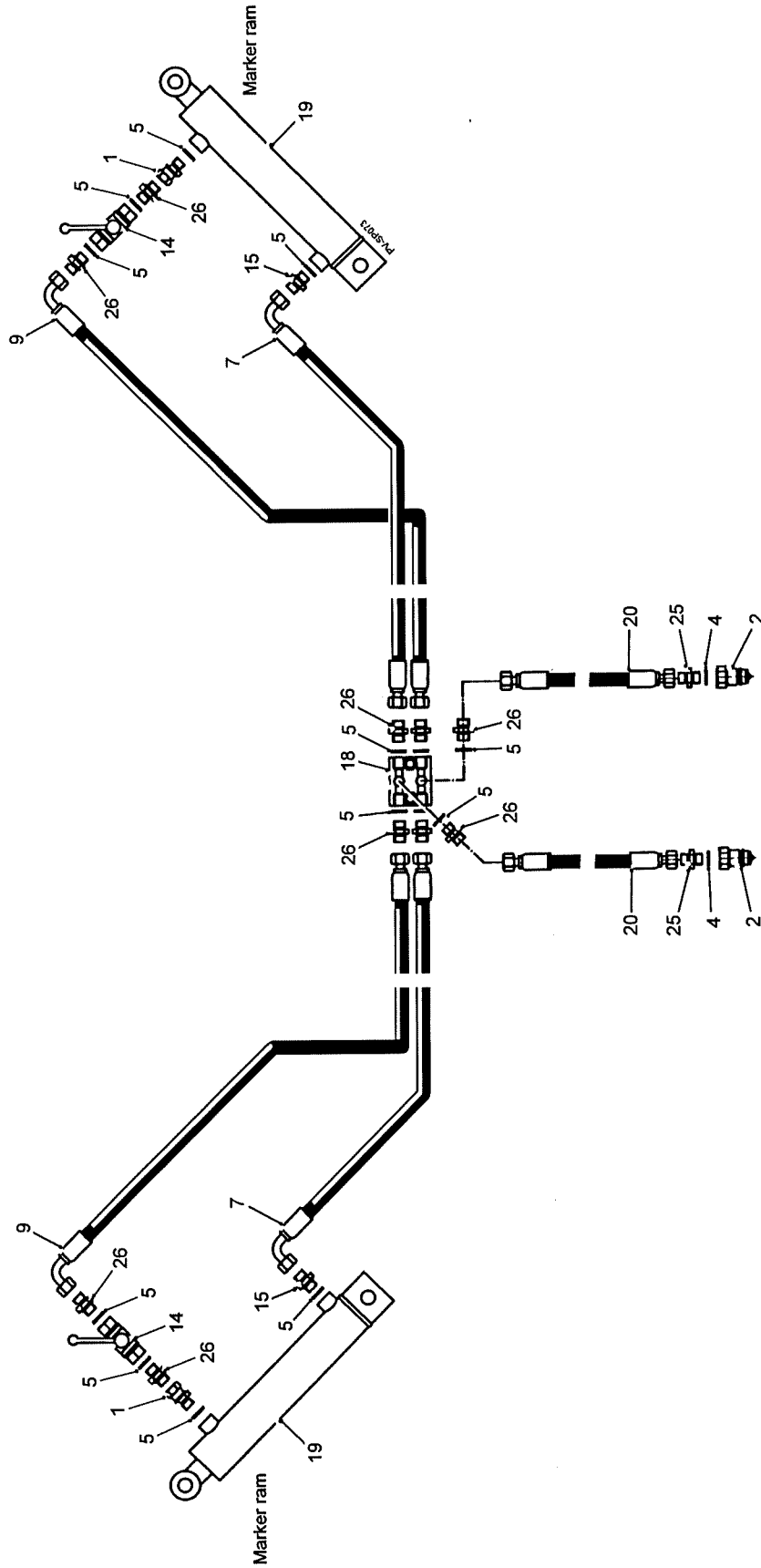
POWAVATOR 400 SPARE PARTS

Disc Marker Individual Operation Hydraulics

Assy No DWS900

Item	Part No.	Description	Qty.	Remarks
1	10140	1/2"BSP Probe	4	
2				
3	11124	1/2"BSP Dowty Seal	4	
4	11125	3/8"BSP Dowty Seal	4	
5				
6	13352	3/8"Hose Assembly (6000mm)	2	
7				
8	60375	3/8"Hose Assembly (5700mm)	2	
9				
10				
11				
12				
13				
14	DW222008066	3/8"BSP M M Restrictor	2	
15				
16	DW802611	Hydraulic Ram	2	
17				
18				
19				
20				
21				
22	UC25	1/2"BSP x 3/8"BSP M M Adaptor	2	
23	UC31A	3/8"BSP M M Adaptor	2	

Disc Marker Dual Operation Hydraulics
Assy No DWS1145



4.2a

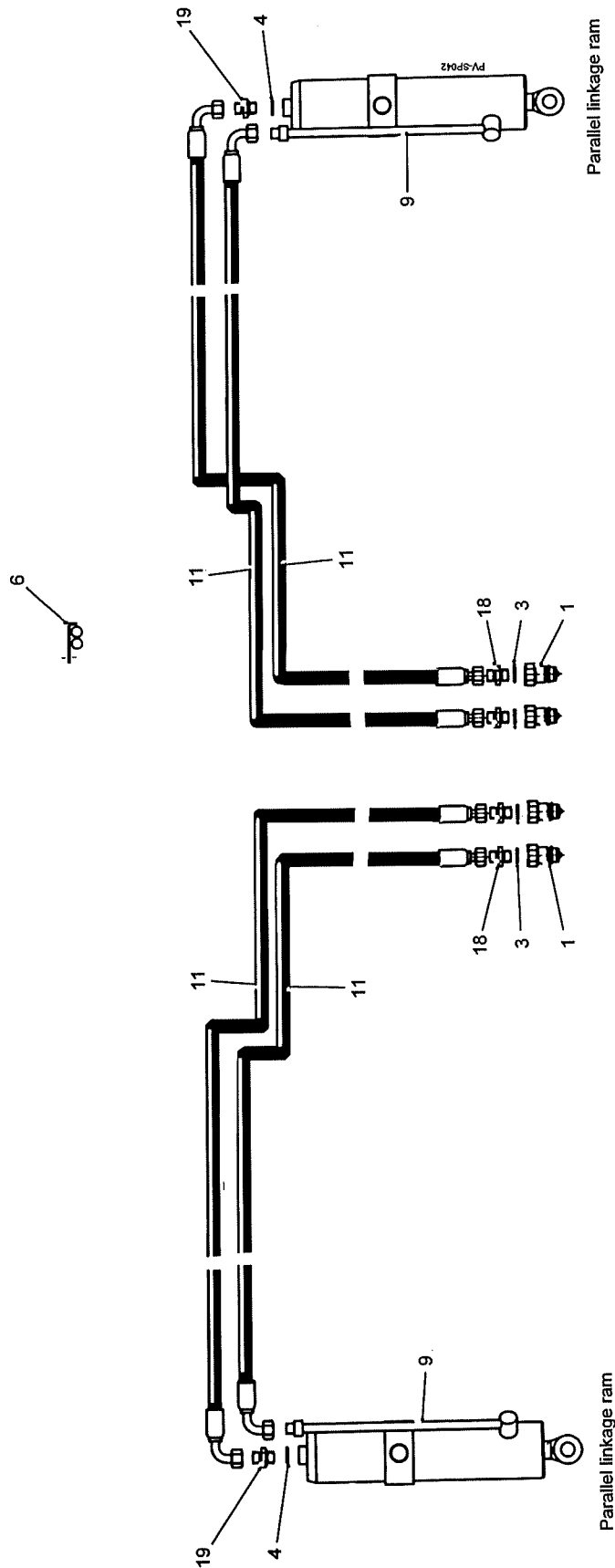
POWAVATOR 400 SPARE PARTS

Disc Marker Dual Operation Hydraulics

Assy No DWS1145

Item	Part No.	Description	Qty.	Remarks
1	10128	3/8"BSP M F Swivel Adaptor	2	
2	10140	1/2"BSP Probe	2	
3				
4	11124	1/2"BSP Dowty Seal	2	
5	11125	3/8"BSP Dowty Seal	14	
6				
7	52099	3/8"Hose Assembly (5200mm)	2	
8				
9	60375	3/8"Hose Assembly (5700mm)	2	
10				
11				
12				
13				
14	DW202046270	3/8"BSP 2-Way Ball Valve	2	
15	DW222008066	3/8"BSP M M Restrictor	2	
16				
17				
18	DW801992	Junction Block	1	
19	DW802611	Hydraulic Ram	2	
20	DW8100	3/8"Hose Assembly (2750mm)	2	
21				
22				
23				
24				
25	UC25	1/2"BSP x 3/8"BSP M M Adaptor	2	
26	UC31A	3/8"BSP M M Adaptor	10	

Parallel Linkage Individual Operation Hydraulics
Assy No DWS489



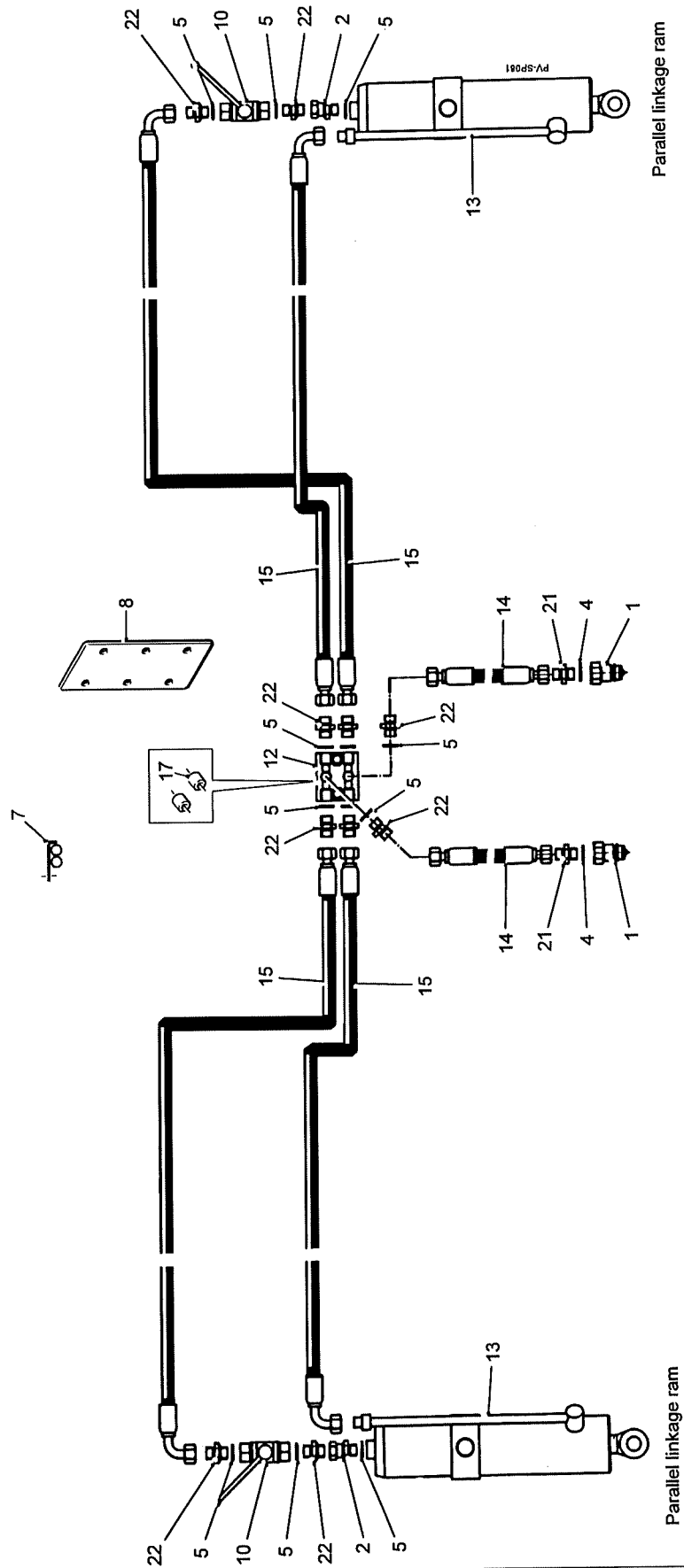
4.3a

POWAVATOR 400 SPARE PARTS

Parallel Linkage Individual Operation Hydraulics Assy No DWS489

Item	Part No.	Description	Qty.	Remarks
1	10140	1/2"BSP Male Probe	4	
2				
3	11124	1/2"BSP Dowty Seal	4	
4	11125	3/8"BSP Dowty Seal	2	
5				
6	DWS677	Hose Clamp	2	
7				
8				
9	DW802509	Hydraulic Ram	2	
10				
11	DWS488	3/8"Hose Assembly (5300mm)	4	
12				
13				
14				
15				
16				
17				
18	UC25	1/2"BSPx3/8"BSP M M Adaptor	4	
19	UC31A	3/8"BSP M M Adaptor	2	

Parallel Linkage Dual Operation Hydraulics
Assy No DWS317 & DWS317A



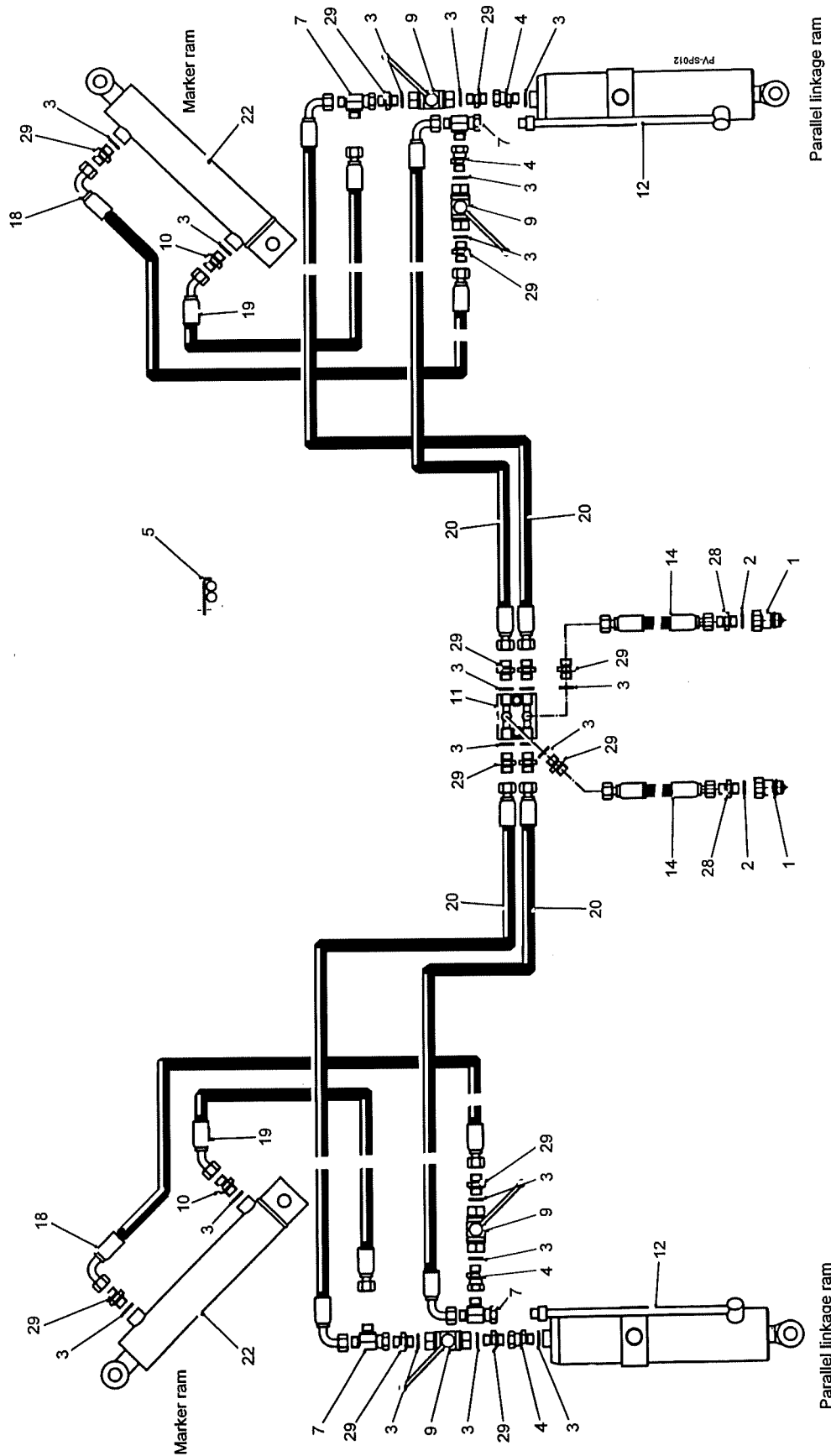
4.4a

POWAVATOR 400 SPARE PARTS

Parallel Linkage Dual Operation Hydraulics Assy No DWS317 & DWS317A

Item	Part No.	Description	Qty.	Remarks
1	10140	1/2"BSP Male Probe	2	
2	10128	3/8"BSP M F Swivel Adaptor	2	
3				
4	11124	1/2"BSP Dowty Seal	2	
5	11125	3/8"BSP Dowty Seal	12	
6				
7	DWS677	Hose Clamp	2	
8	DWS1208	Double Junction Block Plate	1	Used with double dual operation
9				
10	DW202046270	3/8"BSP 2-Way Ball Valve	2	
11				
12	DW801992	3/8"BSP Junction Block	1	
13	DW802509	Hydraulic Ram	2	
14	DW802591	3/8"Hose Assembly (2000mm)	2	
15	60374	3/8"Hose Assembly (4200mm)	4	Outer bodies
	52312	3/8"Hose Assembly (3000mm)	4	Centre bodies
16				
17	SS012009/015	Steel Spacer	2	
18				
19				
20				
21	UC25	1/2"BSPx3/8"BSP M M Adaptor	2	
22	UC31A	3/8"BSP M M Adaptor	10	

Parallel Linkage/Disc Marker Hydraulics



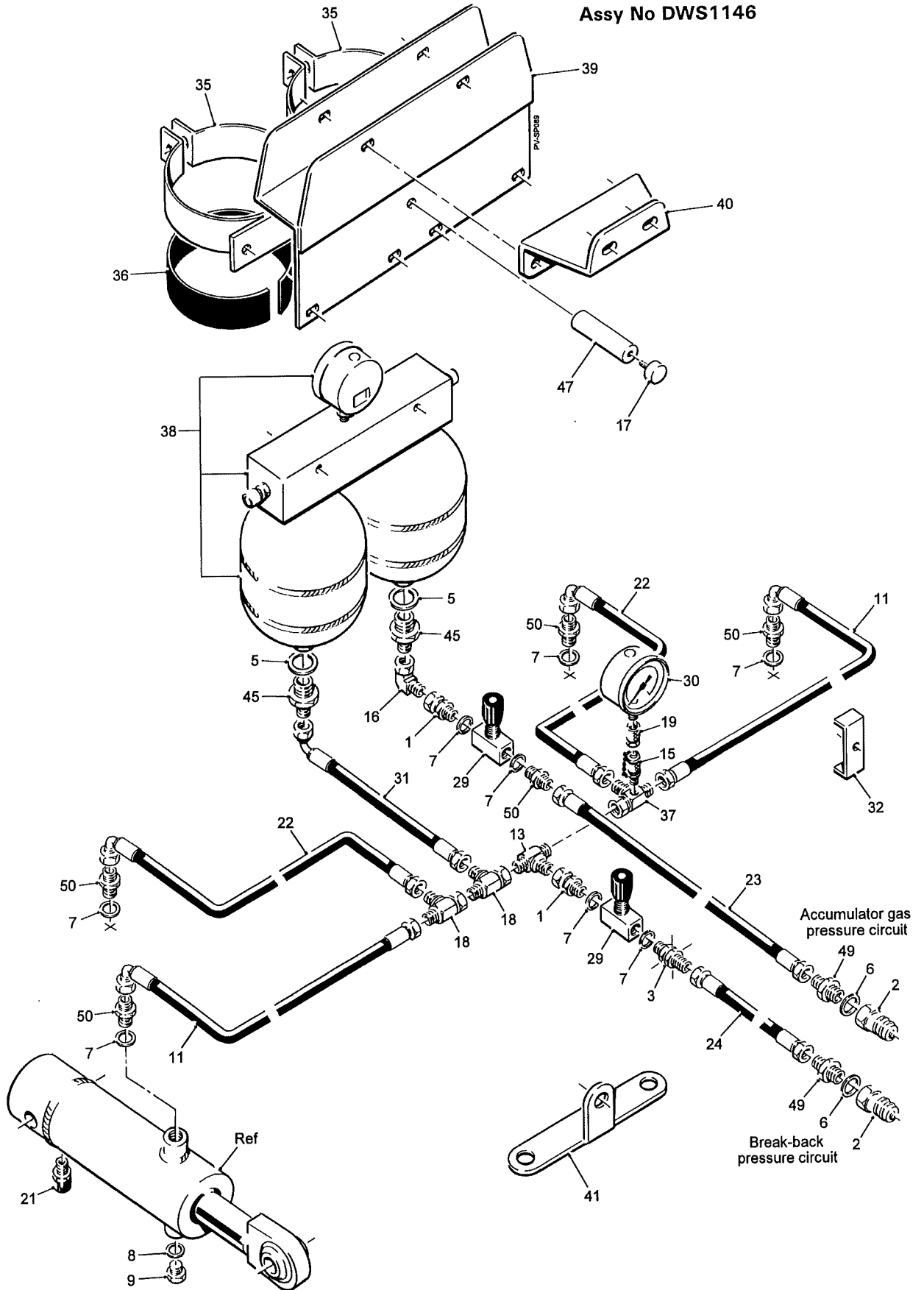
4.5a

POWAVATOR 400 SPARE PARTS

Parallel Linkage/Disc Marker Hydraulics

Item	Part No.	Description	Qty.	Remarks
1	10140	1/2"BSP Male Probe	2	
2	11124	1/2"BSP Dowty Seal	2	
3	11125	3/8"BSP Dowty Seal	20	
4	10128	3/8"BSP M F Swivel Adaptor	4	
5	DWS677	Hose Clamp	2	
6				
7	46939	3/8"BSP FMM Tee	4	
8				
9	DW202046270	3/8"BSP 2-Way Ball Valve	4	
10	DW222008066	3/8"BSP Restrictor	2	
11	DW801992	3/8"BSP Junction Block	1	
12	DW802509	Hydraulic Ram	2	
13				
14	DW802591	3/8"Hose Assembly (2000mm)	2	
15				
16				
17				
18	DW802794	3/8"Hose Assembly (1110mm)	2	
19	DW802596	3/8"Hose Assembly (1000mm)	2	
20	60374	3/8"Hose Assembly (4200mm)	4	
21				
22	DW802611	Hydraulic Ram	2	
23				
24				
25				
26				
27				
28	UC25	1/2"BSPx3/8"BSP M M Adaptor	2	
29	UC31A	3/8"BSP M M Adaptor	14	

Auto-Reset Hydraulics
 Assy No DWS1146



4.6a

POWAVATOR 400 SPARE PARTS

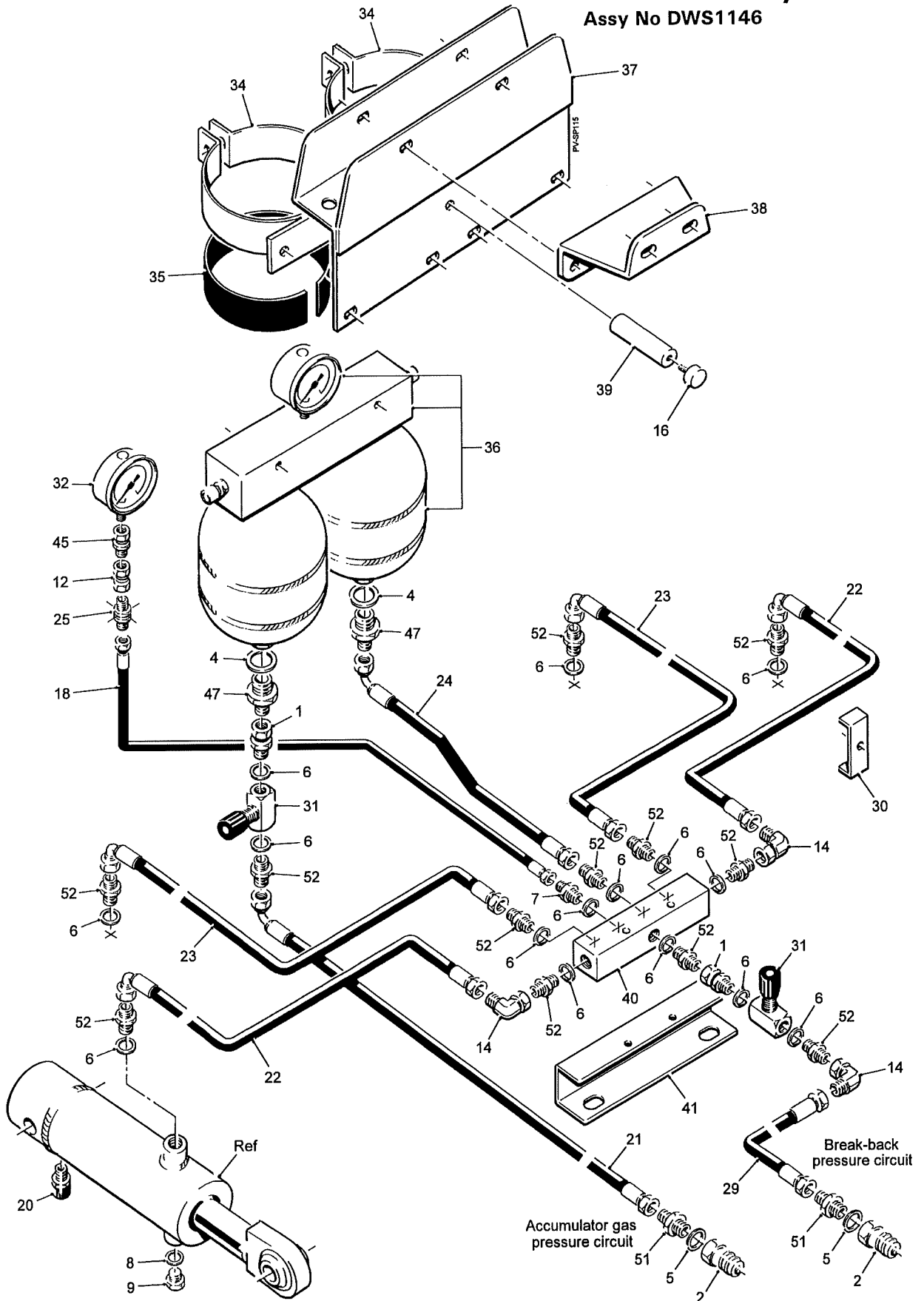
Auto-Reset Hydraulics

Assy No DWS1146

Item	Part No.	Description	Qty.	Remarks
1	10128	3/8"BSP M F Swivel Adaptor	2	
2	10140	1/2"BSP Probe	2	
3	10466	3/8"BSP Bulkhead Adaptor	1	
4				
5	11123	3/4"BSP Dowty Seal	2	
6	11124	1/2"BSP Dowty Seal	2	
7	11125	3/8"BSP Dowty Seal	8	
8	11337	1/4"BSP Dowty Seal	4	
9	11876/8	1/4"BSP Blanking Plug	4	
10				
11	60575	3/8"Hose Assembly (5000mm)	2	Standard
	DW802888	3/8"Hose Assembly (4000mm)	2	For 2-bodied bedformer frame kit
12				
13	23139	3/8"BSP M M M Tee	1	
14				
15	42305	Gauge Port	1	
16	42343	3/8"BSP M F Compact 90° Adaptor	1	
17	43288	Bump Stop	1	
18	46939	3/8"BSP F M M Tee	2	
19	46960	Pressure Gauge Adaptor	1	
20				
21	60370	1/4"BSP Breather	4	
22	60713	3/8"Hose Assembly (2000mm)	2	
23	60480	3/8"Hose Assembly (3200mm)	1	
24	DW8100	3/8"Hose Assembly (2750mm)	1	
25				
26				
27				
28				
29	DW202009220	Tap	2	
30	DW202085010	Pressure Gauge	1	
31	DW801307	3/8"Hose Assembly (460mm)	1	
32	DW802633	Hose Clamp	2	
33				
34				
35	DWS120	Accumulator Bracket	2	
36	DWS347	Rubber Packer	2	
37	DWS443	3/8"BSP F M M Gauge Tee	1	
38	DWS724	Dual Accumulator Complete	1	
39	DWS744	Accumulator Plate	1	
40	DWS1097	Accumulator Mounting	1	
41	DWS1194	Bulkhead Bracket	1	
42				
43				
44				
45	SPCT7	3/8"BSPx3/4"BSP M M Adaptor	2	
46				
47	DWS1235	Bump Stop Support	1	
48				
49	UC25	1/2"BSPx3/8"BSP M M Adaptor	2	
50	UC31A	3/8"BSP M M Adaptor	5	

Machines from 2023

Auto-Reset Hydraulics Assy No DWS1146



4.6a

POWAVATOR 400 SPARE PARTS

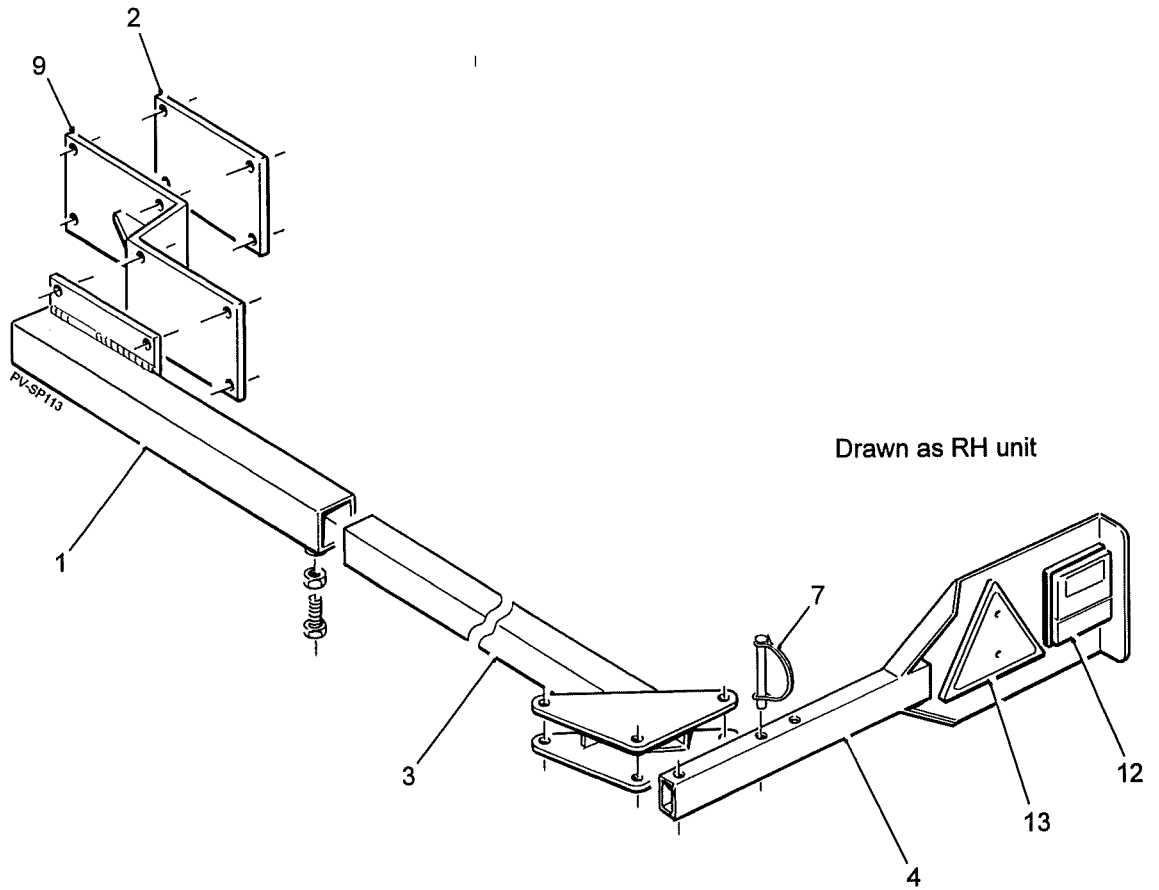
Machines from 2023

Auto-Reset Hydraulics

Assy No DWS1146

Item	Part No.	Description	Qty.	Remarks
1	10128	3/8"BSP M F Swivel Adaptor	2	
2	10140	1/2"BSP Probe	2	
3				
4	11123	3/4"BSP Dowty Seal	2	
5	11124	1/2"BSP Dowty Seal	2	
6	11125	3/8"BSP Dowty Seal	15	
7	11336	1/4"BSPx3/8"BSP M M Adaptor	1	
8	11337	1/4"BSP Dowty Seal	4	
9	11876/8	1/4"BSP Blanking Plug	4	
10				
11				
12	27450	1/4"BSP F F Swivel Adaptor	1	
13				
14	42343	3/8"BSP M F Compact 90°Adaptor	3	
15				
16	43288	Bump Stop	1	
17				
18	44042	1/4"Hose Assembly (900mm)	1	
19				
20	60370	1/4"BSP Breather	4	
21	60480	3/8"Hose Assembly (3200mm)	1	
22	60575	3/8"Hose Assembly (5000mm)	2	Standard
	DW802888	3/8"Hose Assembly (4000mm)	2	For 2-bodied bedformer frame kit
23	60713	3/8"Hose Assembly (2000mm)	2	
24	60822	3/8"Hose Assembly (600mm)	1	
25	60483	1/4"BSP Bulkhead Adaptor	1	
26				
27				
28				
29	DW8100	3/8"Hose Assembly (2750mm)	1	
30	DW802633	Hose Clamp	2	
31	DW202009220	3/8"BSP Tap	2	
32	DW202085010	Pressure Gauge	1	
33				
34	DWS120	Accumulator Bracket	2	
35	DWS347	Rubber Packer	2	
36	DWS724	Dual Accumulator Complete	1	
37	DWS744	Accumulator Plate	1	
38	DWS1097	Accumulator Mounting	1	
39	DWS1235	Bump Stop Support	1	
40	DWS1475	7-Way Manifold Block	1	
41	DWS1476	Manifold Bracket	1	
42				
43				
44				
45	KA20602	1/4"BSP Mx1/4"BSP F Gauge Adaptor	1	
46				
47	SPCT7	3/8"BSPx3/4"BSP M M Adaptor	2	
48				
49	TR563	'CAUTION' Decal	1	Not shown
50				
51	UC25	3/8"BSPx1/2"BSP M M Adaptor	2	
52	UC31A	3/8"BSP M M Adaptor	12	

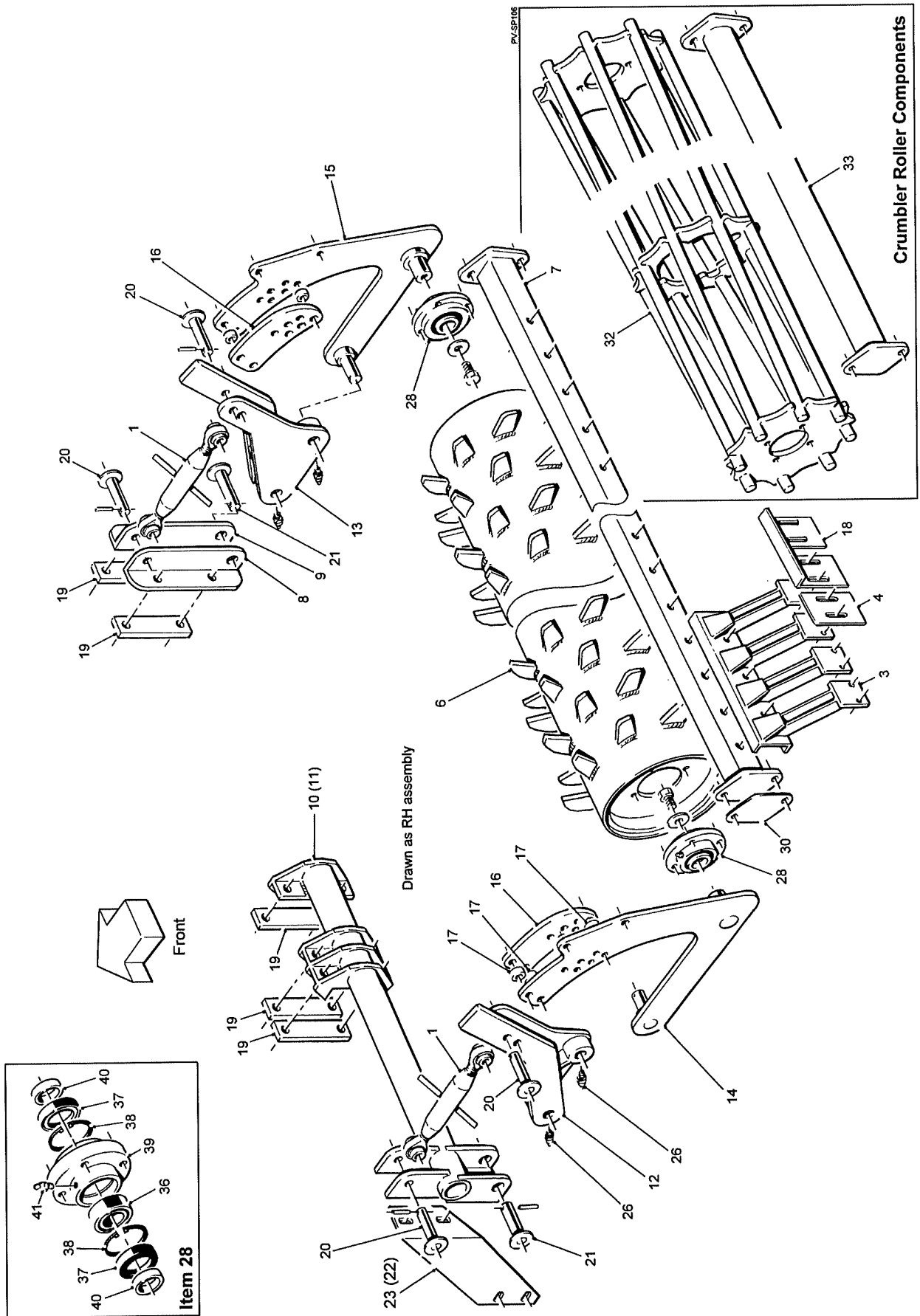
Road Light Kit
Assy No DWS358



4.10a**POWAVATOR 400 SPARE PARTS****Road Light Kit****Assy No DWS358**

Item	Part No.	Description	Qty.	Remarks
1	DWS353	Mounting Bracket	2	
2	DWS354	Clamp Plate	2	
3	DWS355	Mounting Arm	2	
4	DWS934A	Light Plate	2	
5	DWS357	Wiring Loom	1	(not shown)
6				
7	DWS1487	Ø11 Locking Pin	2	
8				
9	DWS716	Light Mounting Plate	2	
10				
11				
12	62217A	LED Rear Light	2	
13	RPE272.307748	Red Triangle Reflector	2	

Packer Roller & Crumbler Roller Assemblies



5.1a

POWAVATOR 400 SPARE PARTS

Packer & Crumbler Roller Assemblies

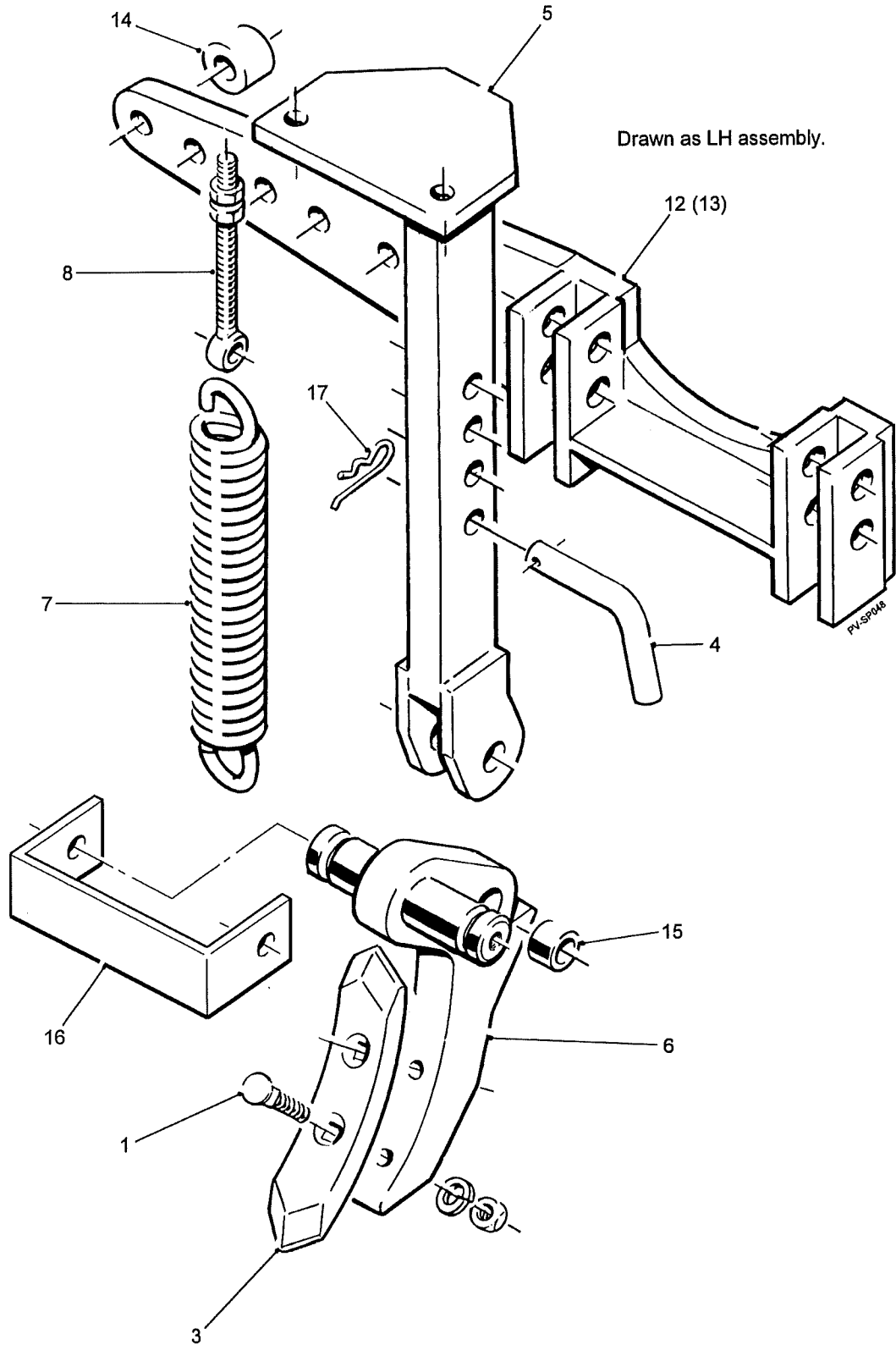
Item	Part No.	Description	Qty.	Remarks
1	42678	Top Link Assembly	4	
2				
3	DW821922	Scraper Bank	10	Qty x12 on 240 model
4	DW821926	Scraper Plate	38	Qty x46 on 240 model
5				
6	DWS552	Ø14" 100" Packer Roller	2	200 model
	DWS702	Ø14" 120" Packer Roller	2	240 model
	DWS1178/100	Ø16" 100" Packer Roller	2	200 model
	DWS1178/120	Ø16" 120" Packer Roller	2	240 model
7	DWS553	100"Scraper Bar	2	200 model
	DWS703	120"Scraper Bar	2	240 model
8	DWS554	LH Mounting	2	
9	DWS555	RH Mounting	2	
10	DWS556	RH Inner Support	1	
11	DWS557	LH Inner Support	1	(not shown)
12	DWS558	LH Arm	2	
13	DWS559	RH Arm	2	
14	DWS560	LH Roller Arm (for Ø14" packer roller)	2	
	DWS1179	LH Roller Arm (for Ø16" packer roller)	2	
15	DWS561	RH Roller Arm (for Ø14" packer roller)	2	
	DWS1180	RH Roller Arm (for Ø16" packer roller)	2	
16	DWS562	Adjuster Plate	4	
17	DWS563	Adjuster Spacer	12	
18	DWS564	End Scraper	2	
19	DWS565	Clamp Plate	10	
20	DWS566	Top Link Pin	8	
21	DWS567	Arm Pin	4	
22	DWS601	LH Inner Support	1	(not shown)
23	DWS602	RH Inner Support	1	
24				
25				
26	GS412	1/8"BSP Straight Grease Nipple	8	
27				
28	DWS727	Bearing Assembly (see list at end)	4	
29				
30	DWS115	2mm Shim	2	
	DWS116	3mm Shim	2	
	DWS117	5mm Shim	2	
31				
32	DWS1037/100	Ø15" 100" Crumbler Roller	2	200 model
	DWS1037/120	Ø15" 120" Crumbler Roller	2	240 model
	DWS1064/120	Ø20" 120" Crumbler Roller	2	240 model
33	DWS1039/100	100"Spacer Bar	2	200 model
	DWS1039/120	120"Spacer Bar	2	240 model
34				
35				

POWAVATOR 400 SPARE PARTS**5.1b****Packer & Crumbler Roller Assemblies**

Item	Part No.	Description	Qty.	Remarks
	DWS727	Bearing Assembly Consists Of:		
36	3210E	Bearing	1	
37	46546	Seal (60x90x8)	2	
38	46564	Ø90 Internal Circlip	2	
39	DWS725	Hub	1	
40	DWS726	Spacer	2	
41	RPC648.061000	M6 Straight Grease Nipple	1	



Spring-Loaded Eradicator Tine Assembly
Assy No DWS622

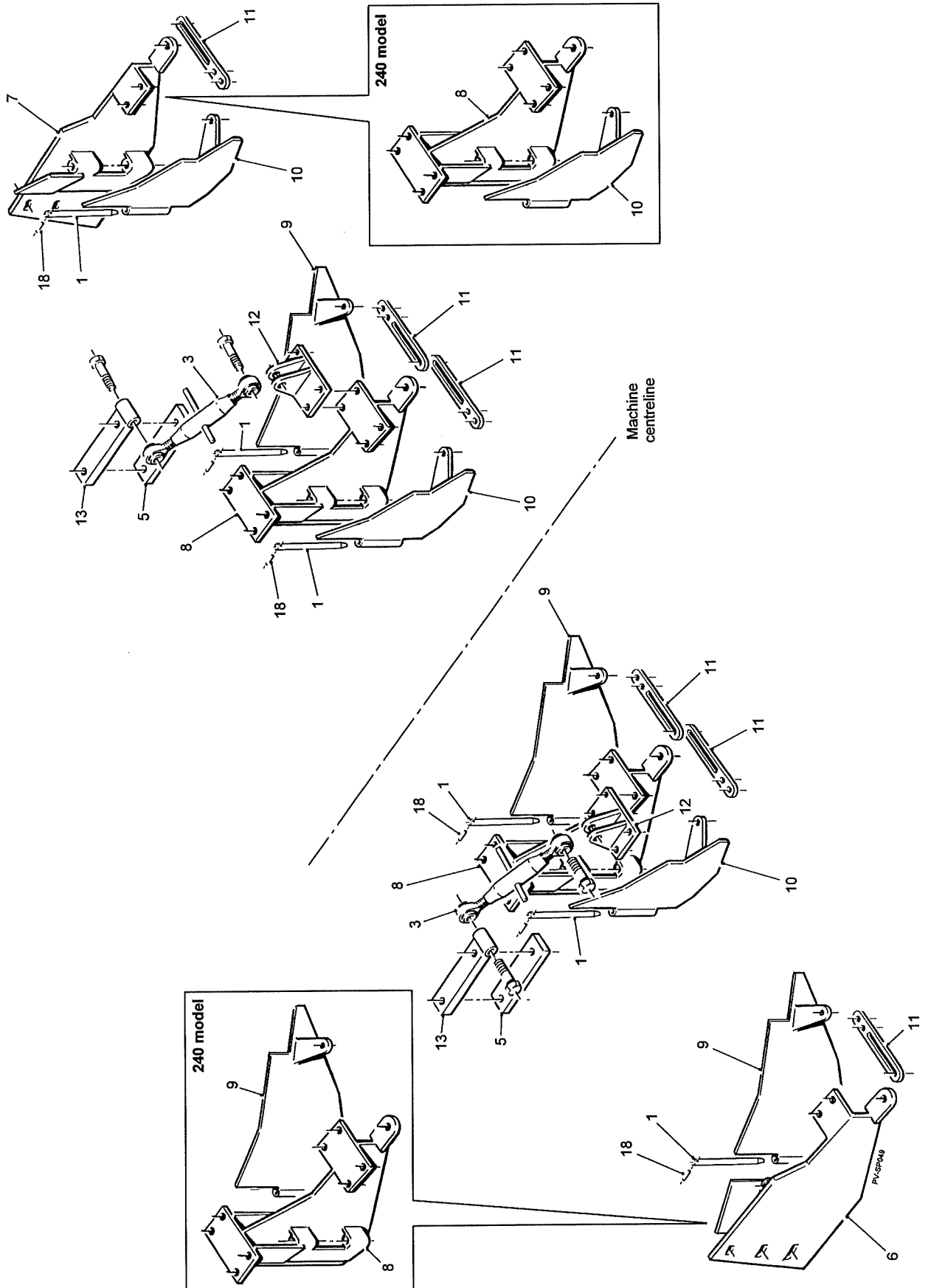


5.2a**POWAVATOR 400 SPARE PARTS****Spring-Loaded Eradicator Tine Assembly**

Assy No DWS622

Item	Part No.	Description	Qty.	Remarks
1	RPF106.112060	M12x60 Plough Bolt	8	
2				
3	DW820650	Point	4	
4	DW820841	Pin	4	
5	DW821951	Leg	4	
6	DW821961	Foot	4	
7	DW821964	Tension Spring	8	
8	RPF120.116140	Eyebolt	8	
9				
10				
11				
12	DWS619	Mounting Bracket LH	1	
13	DWS620	Mounting Bracket RH	1	(not shown)
14	DWS621	Spacer	6	
15	DWS623	Bush	4	
16	DWS1525	Spring Retainer	4	Fitted from 2024
17				
18	H105A	R' Clip	8	

Bed Forming Kit



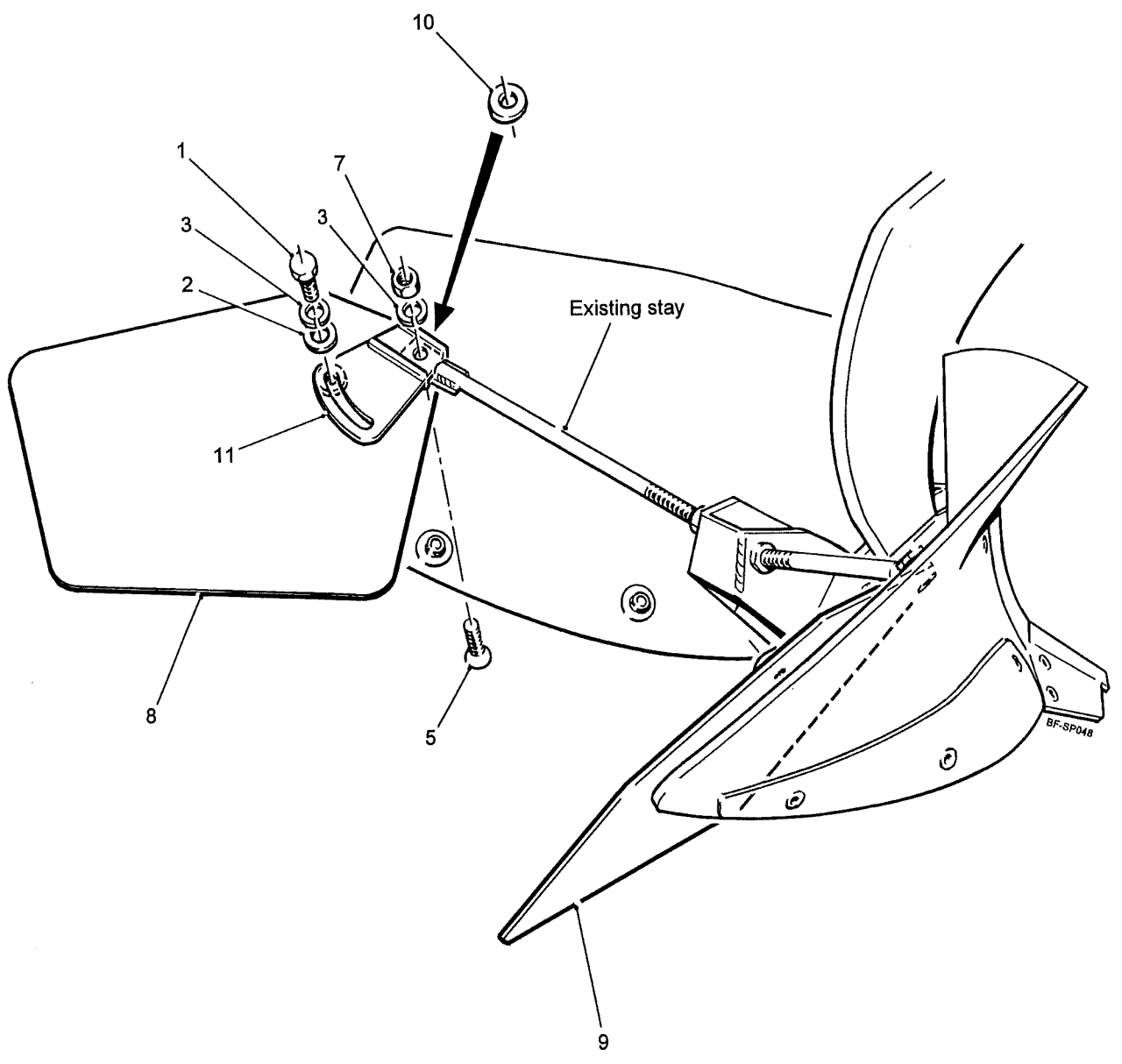
5.3a

POWAVATOR 400 SPARE PARTS

Bed Forming Kit

Item	Part No.	Description	Qty.	Remarks
1	43650	Pivot Pin	6	
2				
3	54327	Top Link Assembly	2	
4				
5	DWS565	Clamp Plate	2	
6	DWS683	LH Mounting	1	
7	DWS684	RH Mounting	1	
8	DWS685	Centre Mounting	2	Qty. x4 on 240 model
9	DWS686	LH Wing	3	
10	DWS687	RH Wing	3	
11	DWS688	Link	6	
12	DWS689	Top Link Bracket	2	
13	DWS690	Top Link Mounting	2	
14				
15				
16				
17				
18	22067006/026	Ø6x26 Roll Pin	6	

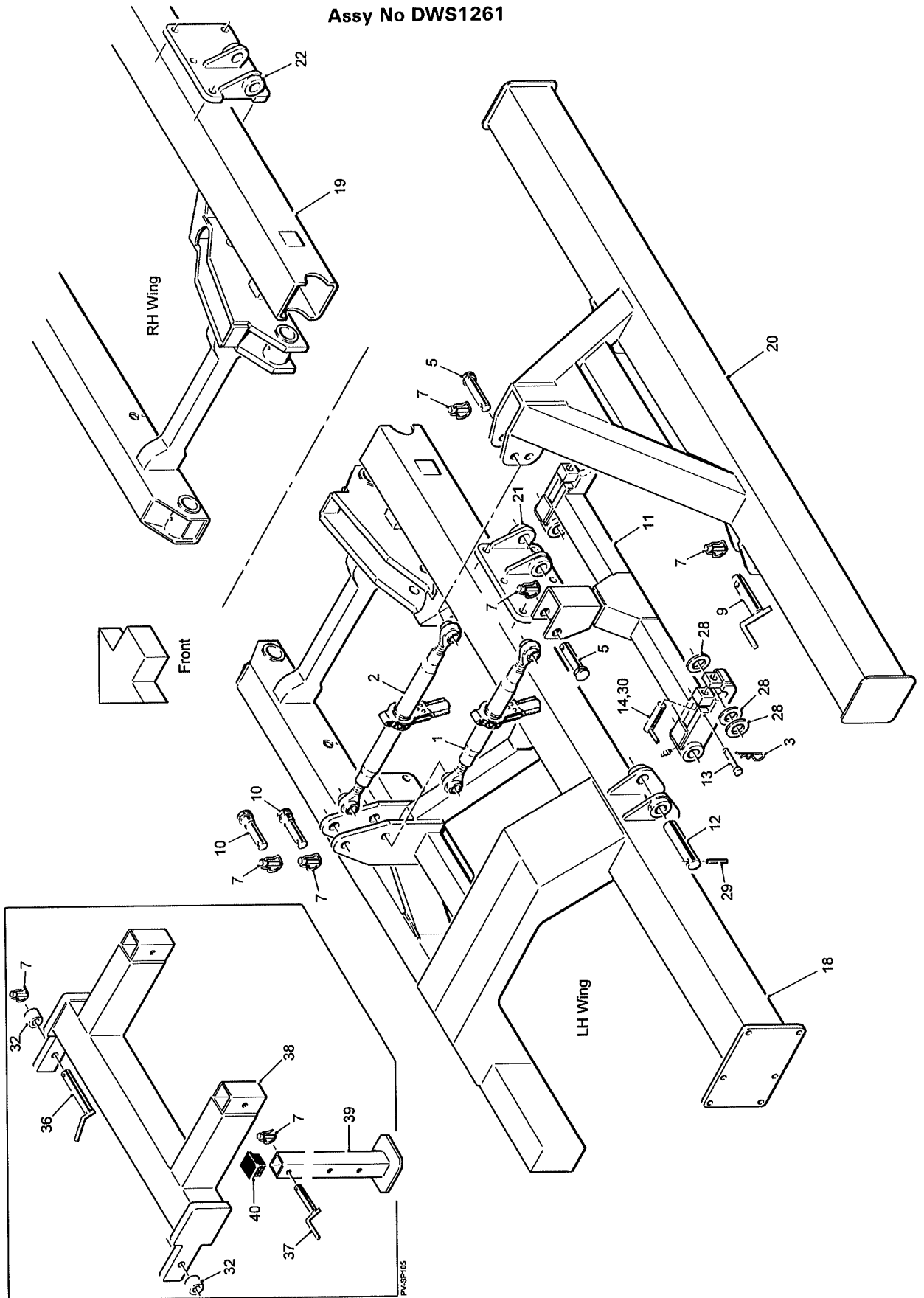
Convex Body Extension Kit
Assy No DWS734



5.5a**POWAVATOR 400 SPARE PARTS****Convex Body Extension Kit****Assy No DWS734**

Item	Part No.	Description	Qty.	
1	22011012/020	M12x20 Setscrew	2	
2	22046012C	M12 Flat Washer	2	
3	22052012	M12 Spring Washer	4	
4				
5	DW222008132	M12x50 Special CSK Nibbed Bolt	2	
6				
7	DWS113	M12 Whiz Lock Nut	2	
8	DWS731	LH Extension Plate	1	
9	DWS732	RH Extension Plate	1	
10	DWS751	Tapered Spacer	2	
11	DWS828	Adaptor Plate	2	

2-Bodyed Bedformer Frame Mounting Kit
Assy No DWS1261



5.6a

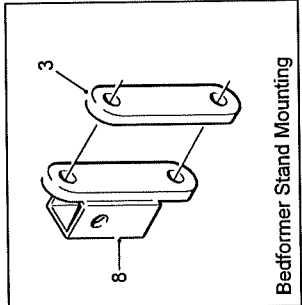
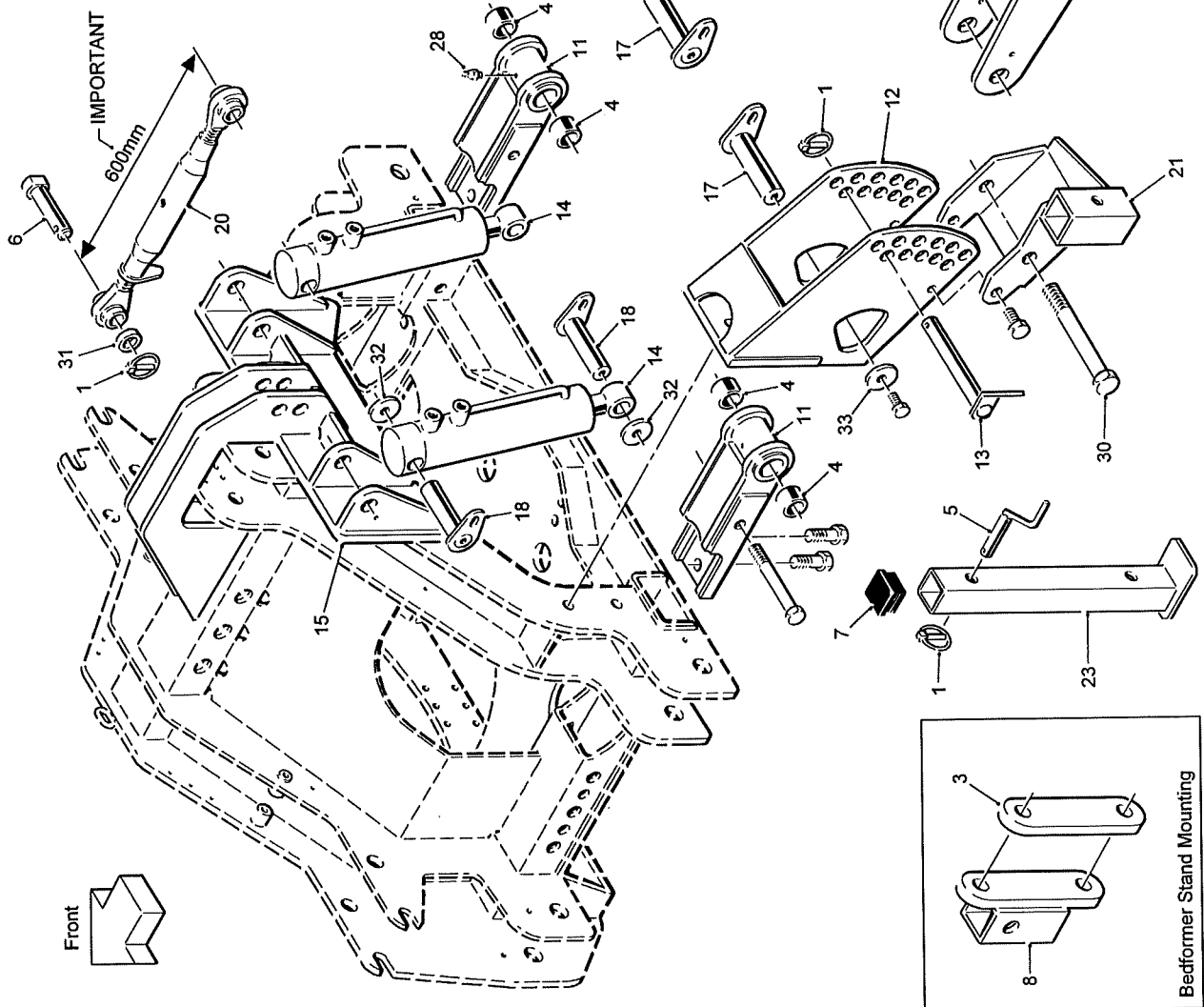
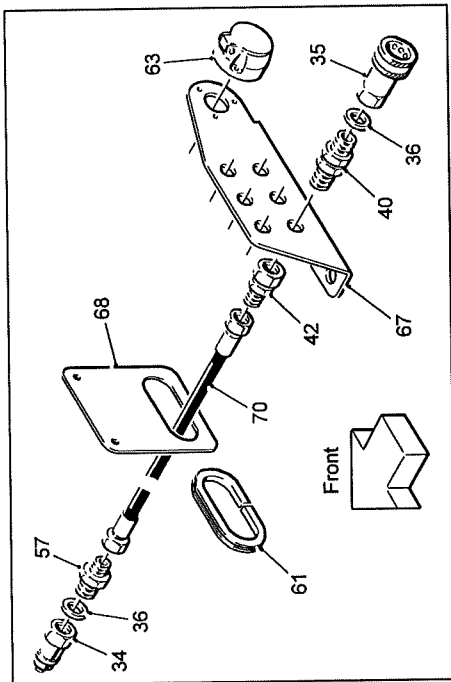
POWAVATOR 400 SPARE PARTS

2-Bodied Bedformer Frame Mounting Kit

Assy No DWS1261

Item	Part No.	Description	Qty.	Remarks
1	DW208007940	Ratchet Jack (short)	2	
2	DW208007950	Ratchet Jack (long)	2	
3	DW208014390	R' Clip	2	
4				
5	DW305098	Drawpin (CAT 2)	4	
6				
7	DW50934	Clip Pin	16	
8				
9	DW800186	Bottom Link Pin (CAT 2)	4	
10	DW800230	Top Hitch Pin (CAT 2)	4	
11	DW801044	Hitch Frame	2	
12	DW801057	Pivot Pin	4	
13	DW801136	Locking Pin	4	
14	DW801143	Sliding Bolt	4	
15				
16				
17				
18	DWS1309/72	LH Wing	1	72" wheelings
19	DWS1310/72	RH Wing	1	72" wheelings
20	DWS1255	2-Bodied Bedformer Frame	2	
21	DWS1257	LH Pivot Bracket	1	
22	DWS1258	RH Pivot Bracket	1	
23				
24				
25				
26				
27				
28	22046030	M30 Flat Washer	12	
29	22067006/060	Ø6x60 Roll Pin	4	
30	22067010/060	Ø10x60 Roll Pin	4	
31				
32	SS038026/045	Steel Spacer	2	
33				
34				
35				
36	DWS309	Stand Pin (Ø25)	2	
37	DWS597	Stand Pin (Ø20)	2	
38	DWS804	Centre Frame	1	
39	DWS813	Stand	2	
40	DWS871	Plastic Insert (70x70)	2	

4-Bodied Bedformer Hydraulic Linkage
 Assy No DWS1043



5.7a

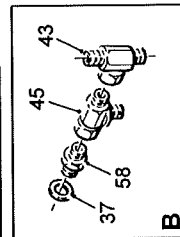
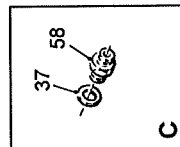
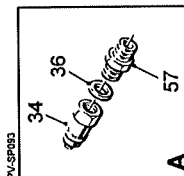
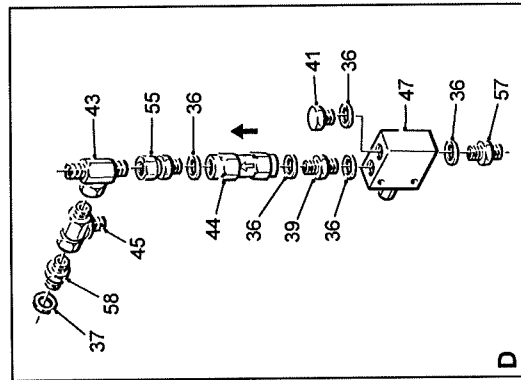
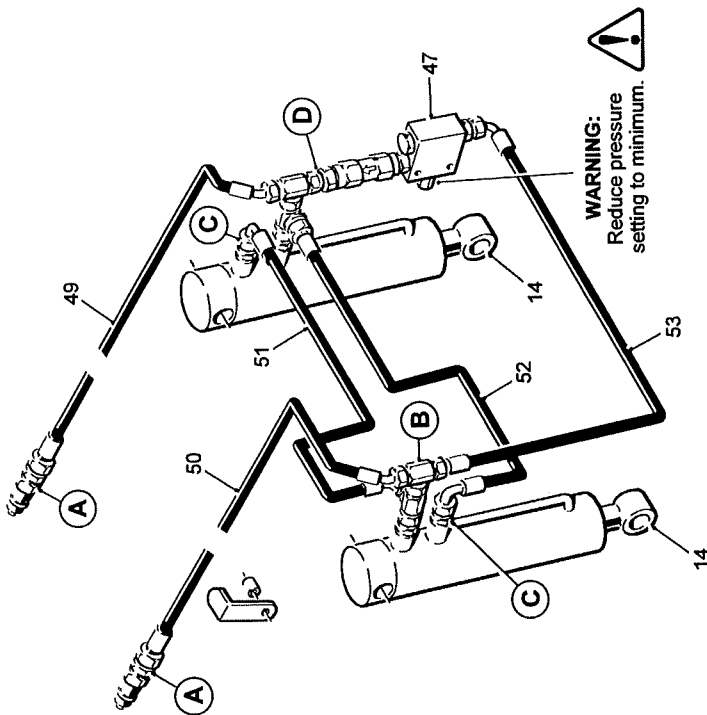
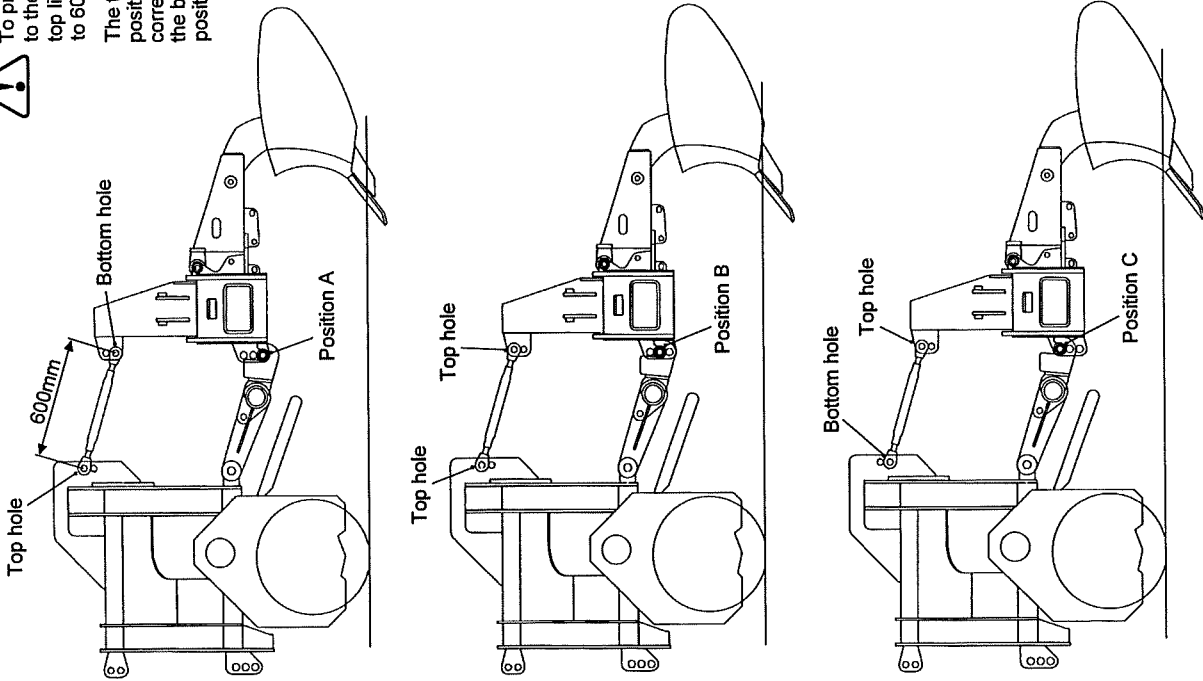
POWAVATOR 400 SPARE PARTS

4-Bodied Bedformer Hydraulic Linkage Assy No DWS1043

WARNING:
To prevent damage to the machine, the top link must be set to 600mm centres.
The top link must be positioned in the correct holes in the bottom lift arm the position A, B, or C.



Parallel Linkage Positions



POWAVATOR 400 SPARE PARTS

5.7b

4-Bodied Bedformer Hydraulic Linkage

Assy No DWS1043

Item	Part No.	Description	Qty.	Remarks
1	DW50934	Clip Pin	6	
2				
3	DWS134	Clamp Plate	2	For Bedformer
4	DWS171	Nylon Bush	4	
5	DWS597	Pin	2	
6	DWS599	Top Link Pin	1	
7	DWS871	Plastic Insert (70x70)	2	
8	DWS925	Stand Mounting Bracket	2	For Bedformer
9				
10				
11	DWS1044	Bottom Arm Pivot	2	
12	DWS1045	Depth Bracket	2	
13	DWS1046	Depth Set Pin	2	
14	DWS1047	Hydraulic Ram	2	
15	DWS1048	Ram Mounting (weld-on)	1	
16	DWS1049	Bottom Lift Arms	1	
17	DWS1050	Pivot Pin	2	
18	DWS1051	Pivot Pin	4	
19	DWS1052	CAT3 Ball with CAT3 Hole	2	
20	DWS1053	CAT3 Top Link Assembly	1	
21	DWS1168	Stand Bracket LH	1	
22	DWS1169	Stand Bracket LH	1	
23	DWS1170	Stand	2	
24				
25				
26	TR567	Warning Decal	1	
27				
28	GS412	1/8"BSP Grease Nipple Straight	2	
29				
30	22012030/280	M30x280 Bolt	2	
31	SS042036/010	Steel Spacer	1	
32	SS060013/005	Steel Spacer	4	
33	SS060017/005	Steel Spacer	2	
		Hydraulic Components Consists Of:		
34	10140	1/2"BSP Male Probe	8	
35	10141	1/2"BSP Carrier	6	
36	11124	1/2"BSP Dowty Seal	19	
37	11125	3/8"BSP Dowty Seal	4	
38				
39	12315	1/2"BSP M M Adaptor	1	
40	12321	1/2"BSP Bulkhead Adaptor	6	
41	24383	1/2"BSP Blanking Plug	1	
42	44044	1/2"BSPFx3/8"BSP M Swivel Adaptor	1	
43	42344	3/8"BSP M M F Tee	2	
44	46807	1/2"BSP Inline Check Valve	1	
45	46939	3/8"BSP F M M Tee	2	
46				
47	51516	Pressure Relief Valve	1	
48				
49	71013	3/8"Hose Assembly (2950mm)	1	
50	71014	3/8"Hose Assembly (2850mm)	1	
51	71015	3/8"Hose Assembly (950mm)	1	
52	71016	3/8"Hose Assembly (850mm)	1	

5.7c**POWAVATOR 400 SPARE PARTS****4-Bodied Bedformer Hydraulic Linkage**

Assy No DWS1043

Item	Part No.	Description	Qty.	Remarks
53	60855	3/8"Hose Assembly (750mm)	1	
54				
55	KA17325	3/8"BSPFx1/2"BSPM Swivel Adaptor	1	
56				
57	UC25	3/8"BSPx1/2"BSP M M Adaptor	9	
58	UC31A	3/8"BSP M M Adaptor	4	
59				
60				
61	43227	Edging Strip	a/r	
62				
63	46495	7-Pin Socket	1	
64				
65				
66				
67	DWS1371	Quick Release Mounting plate	1	
68	DWS1374	Hose Support	1	
69				
70	DW802591	3/8"Hose Assembly (2000mm)	6	