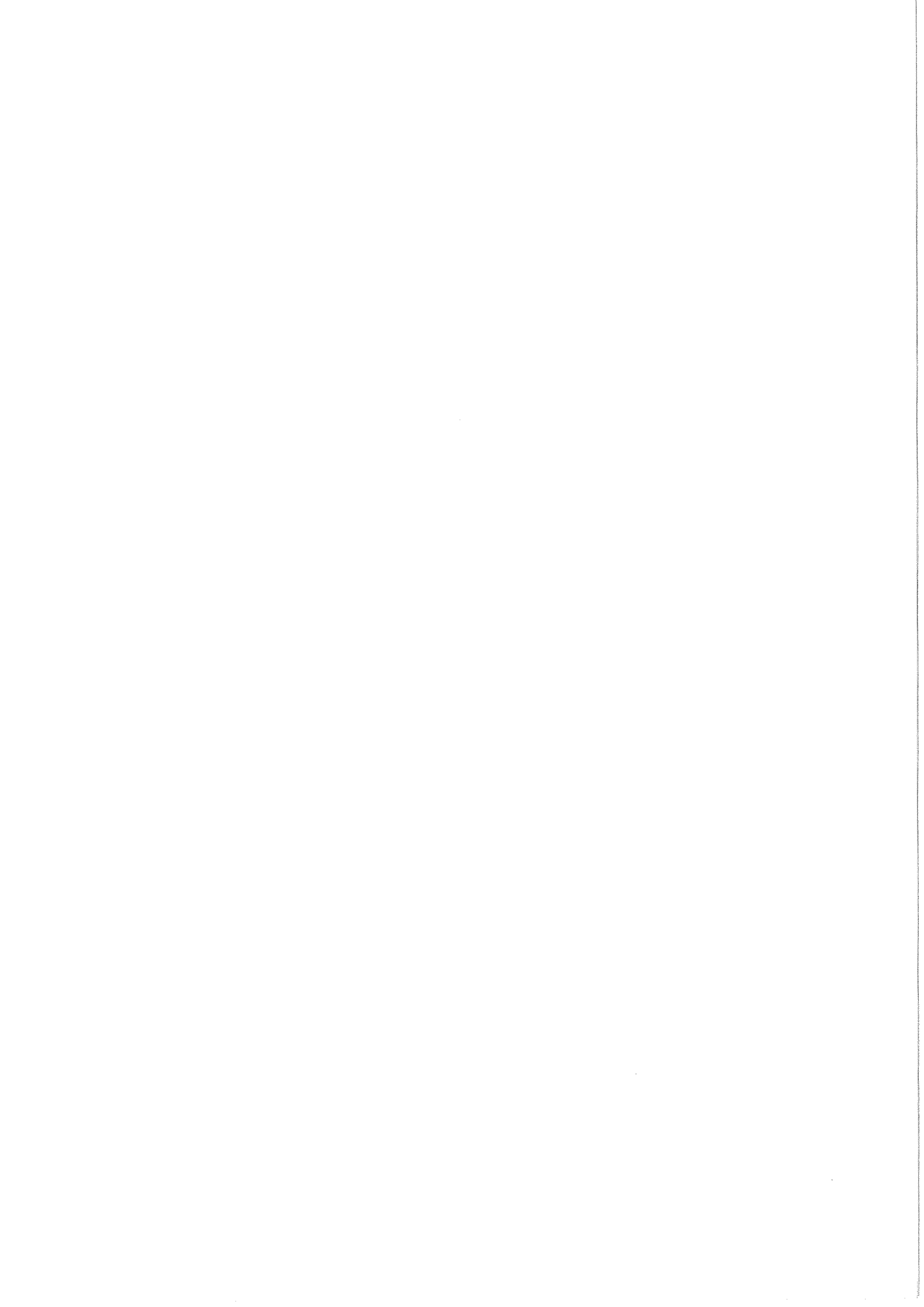


CONTENTS

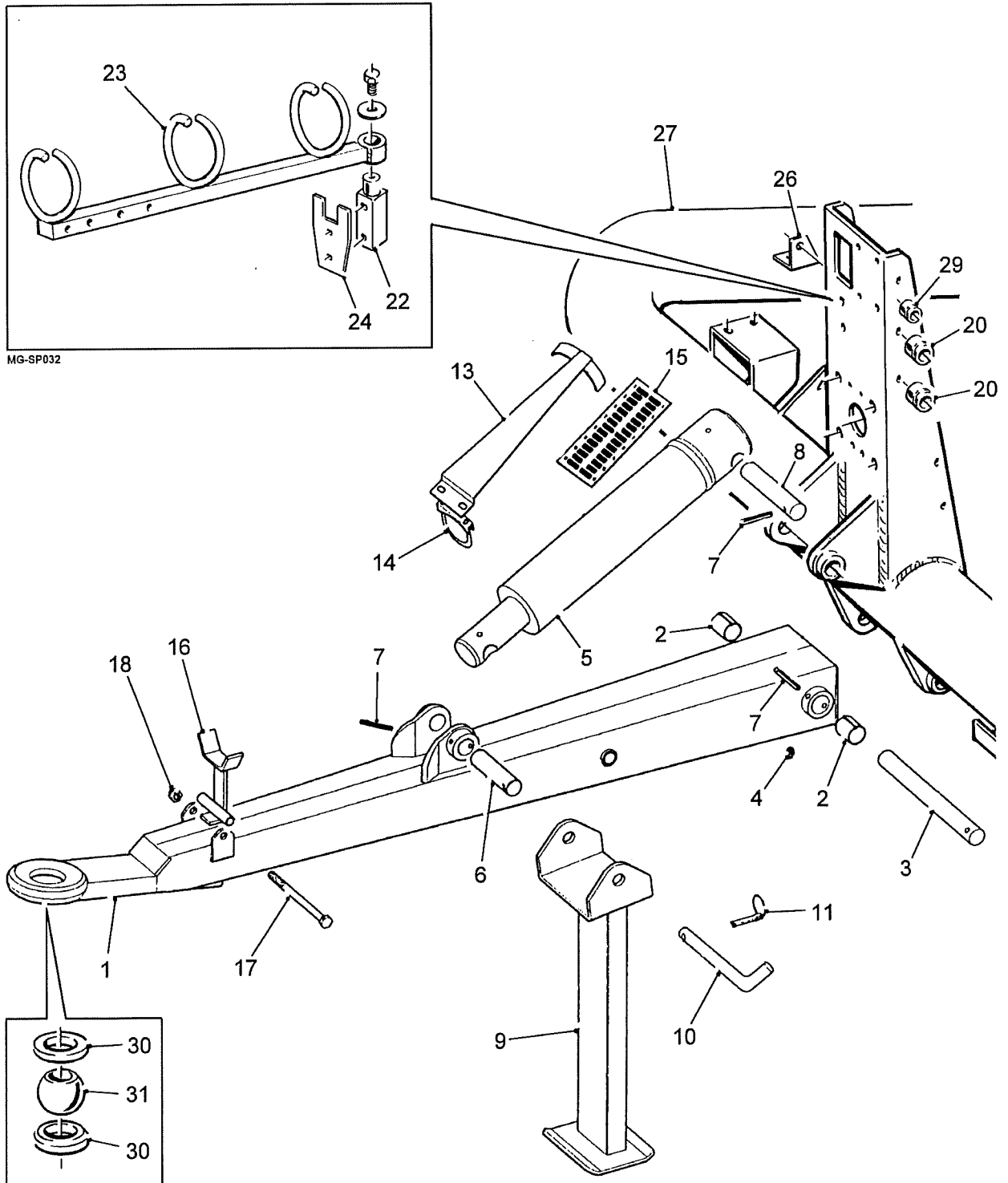
MEGASTAR GEN-2 SPARE PARTS

Mainframe and Drawbar Assembly	3.1
Hydraulic Drawbar Assembly	3.2
Axle Assembly	3.3
Diablo Depth Roller Assembly	3.4
Disc Assemblies	3.5
Share Assemblies	3.6
Star Assemblies	3.7
Vari-Flow Assembly	3.8
Clod Mat Assembly	3.9
Cross Conveyor Assembly	3.10
Boulder Box Assembly	3.11
Input Drives	3.12
Star Shaft Drives	3.13
Guards and Side Panels	3.14
Hydraulic Assembly	3.15
Electrical Control System	3.16
Road Light Kit	3.17
Braked Axle Assembly	3.18
Top Mesh Cover Kit	3.19
Discharge Elevator (rhizome)	3.20

Note: When using the following pages to order replacement parts, please quote the full serial number of your machine.



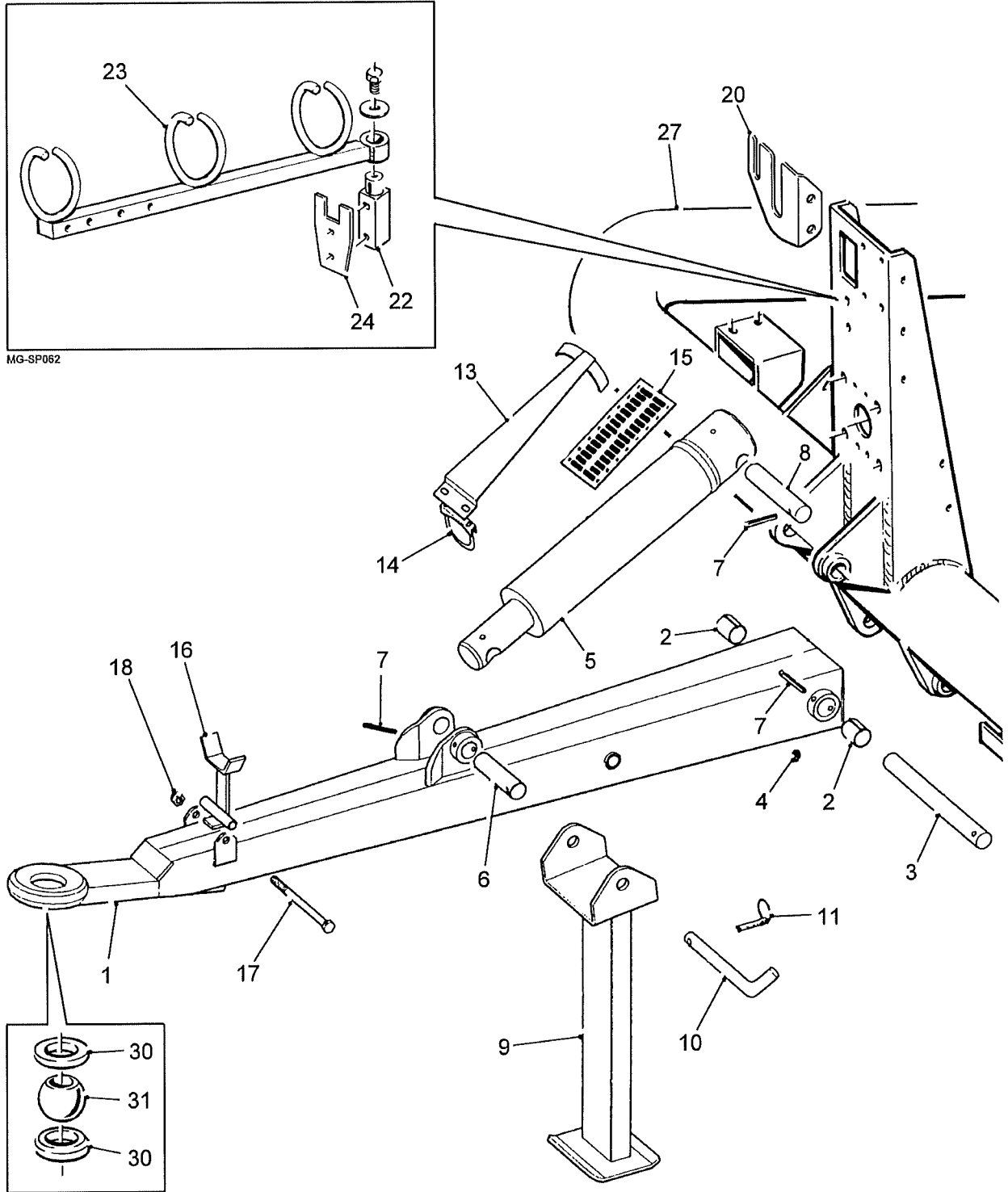
Mainframe and Drawbar Assembly Assy No RP050-1



Machines from 2017

Mainframe and Drawbar Assembly

Assy No RP050-1



3.1a**MEGASTAR GEN-2 SPARE PARTS**

Machines from 2020

Mainframe and Drawbar Assembly

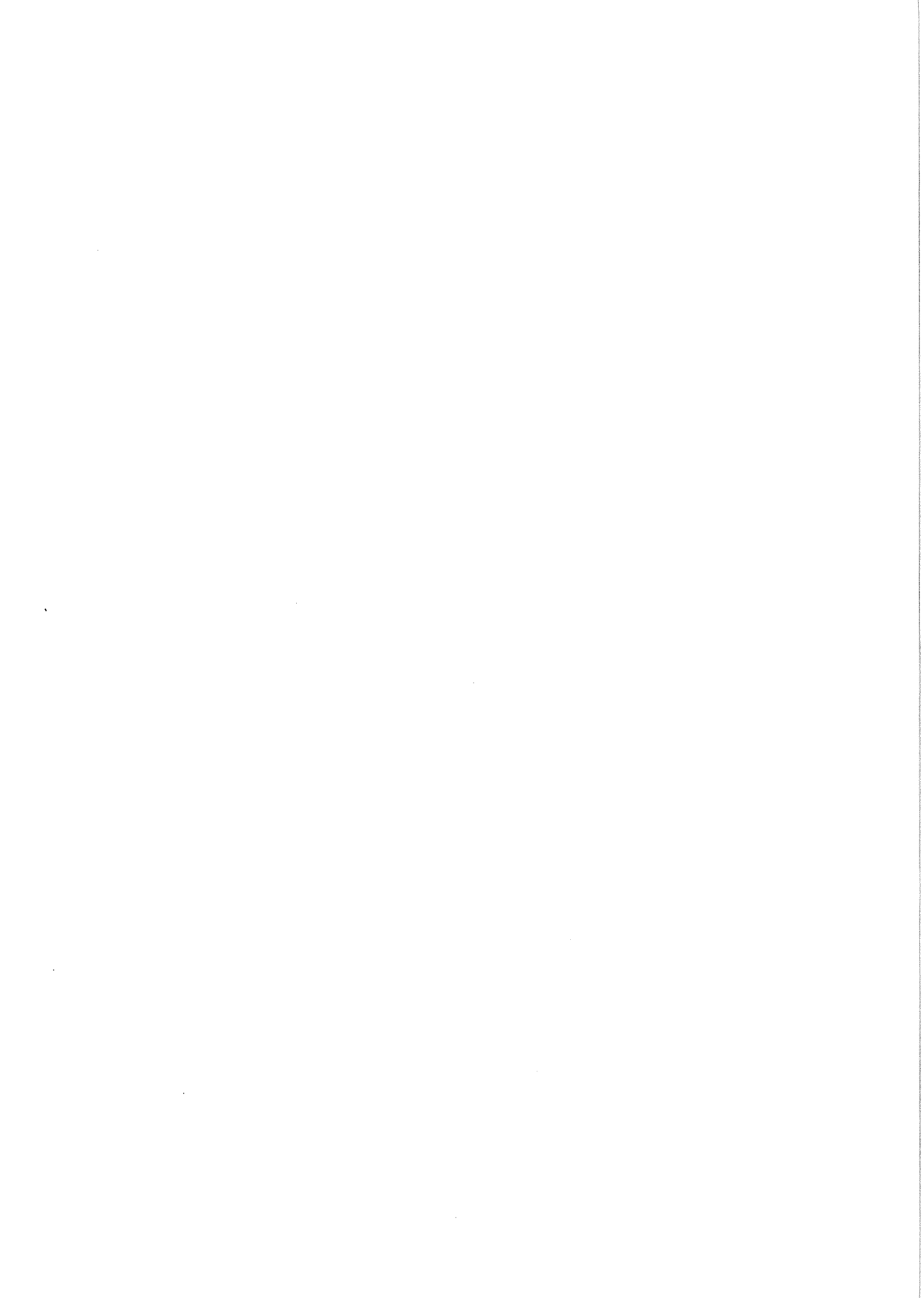
Item	Part No.	Description	Qty.	Remarks
1	42379	Top Hat Washer	2	
2				
3	58001	Main Frame	1	
4	58274	Drawbar	1	
5	58278	PTO Rest	1	
6				
7	59570	Hose Support Arm	1	
8				
9	61514	Hose Support Plate	1	
10	61894	Drawbar Eye	1	
11	61895	Cover Plate	1	
12	58288	Blanking Plate	1	
13	61901	Ø20 Grommet	1	
14				
15	68031	Spoon Hitch	1	
16	68072	Drawbar Eye Mounting (4 holes)	1	
17				
18				
19	RPA610.300014	Drawbar Eye	1	
20	RPA610.305156	Drawbar Stand	1	
21	RPA610.305162	Depth Indicator	1	
22				
23	RPB250.303440	Bush	2	
24				
25	RPC626.305182	Clamp	1	
26	RPC632.305158	Depth Indicator Decal	1	
27	RPC648.081250	M8 Straight Grease Nipple	1	
28	RPC648.081252	M8 90° Grease Nipple	2	
29				
30	RPF232.060000	Linch Pin	1	
31				
32	RPH872.305149	Hydraulic Ram	1	
33				
34	RPM146.301668	Ram Pin Bottom	1	
35	RPM146.305150	Stand Pin	1	
36	RPM146.305151	Ram Pin Top	1	
37	RPM146.305157	Drawbar Pin	1	
38				
39	RPP500.202000	1/8" BSP Breather	1	
40				
41	RPS230	Pivot Block	1	
42	RPS232	Stop Plate	1	
43				
44	SS040009/003	Steel Spacer	2	
45	SS070017/005	Steel Spacer	1	
46	22046030B	M30 Flat Washer	2	
47	22067008/050	Ø8x50 Roll Pin	4	
48	58278A	PTO Rest	1	
48a	58294	Pivot Pin	1	
48b	58296	Drawbar	1	
49	68203	CAT3 Lower Link Drawbar	1	
49a	68204	Thrust Washer	2	
49b	68206	Swivel Hitch	1	

MEGASTAR GEN-2 SPARE PARTS**3.1b**

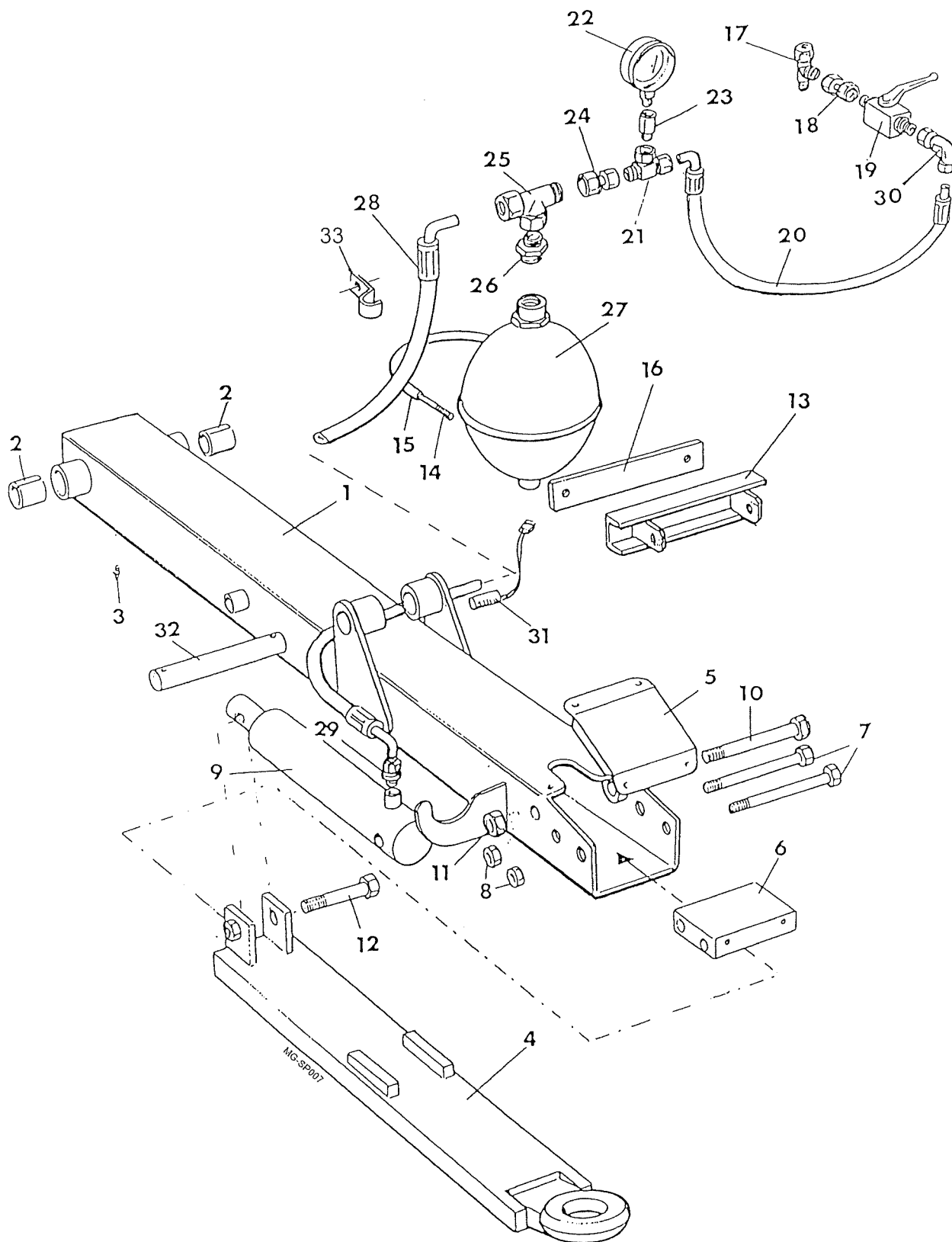
Machines from 2020

Mainframe and Drawbar Assembly

Item	Part No.	Description	Qty.	Remarks
	61959	Drawbar Jack Kit Consists Of:		
50	41060	Jack Pin	1	
51	61024	Jack Complete	1	
52	61025	Stowage Spigot	1	
53	61957	Eye Bush	1	
54	61958	Mounting Bracket	1	
55	REK215	Ø60 Linch Pin	1	



Hydraulic Drawbar Assembly
Assy No RPA580.301602



3.2a

MEGASTAR GEN-2 SPARE PARTS

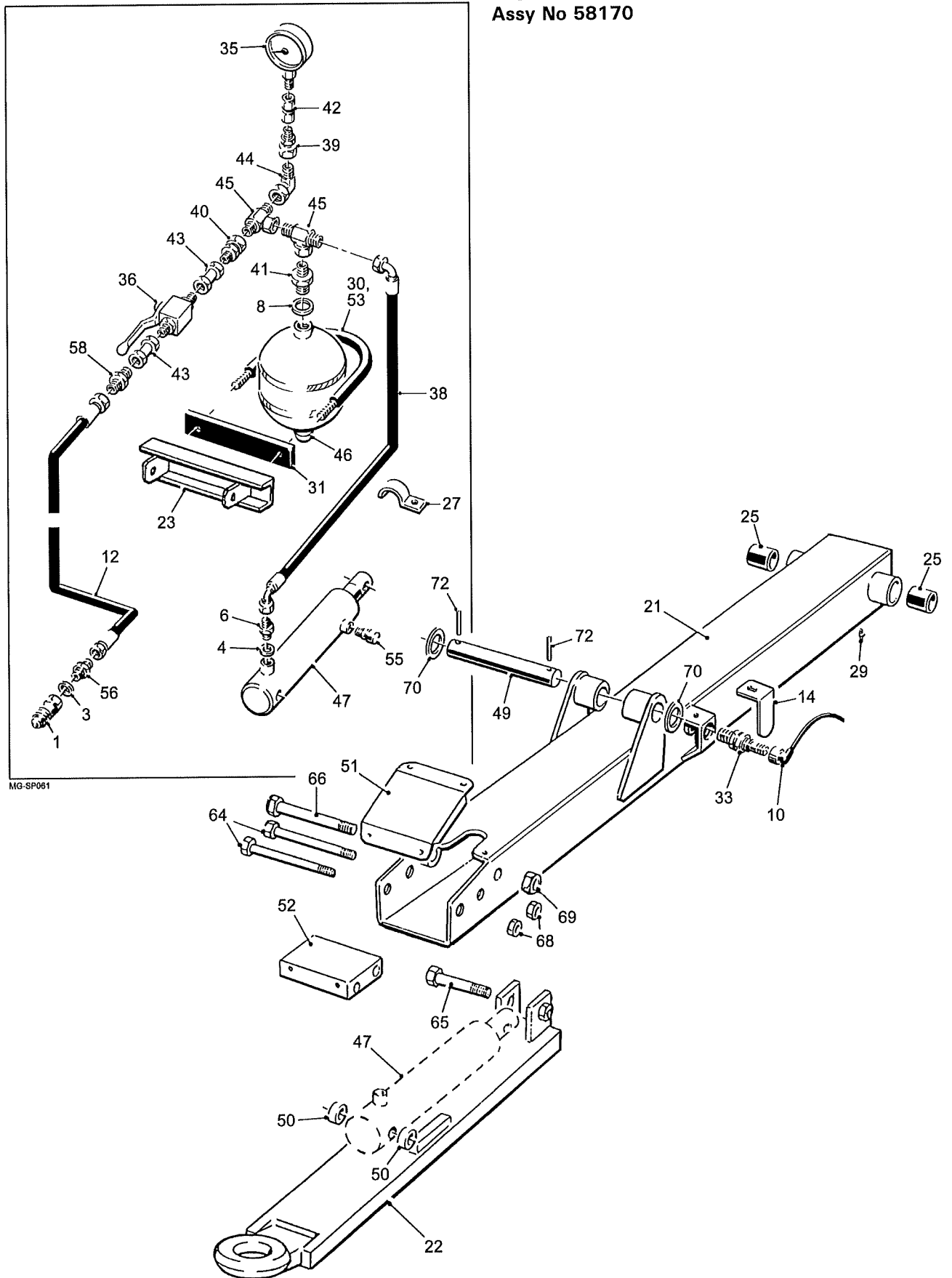
Hydraulic Drawbar Assembly

Assy No RPA580.301602

Item	Part No.	Description	Qty.	Remarks
1	RPA610.301556	Drawbar	1	
2	RPB250.303440	Bush	2	
3	RPC648.081252	Grease Nipple	1	
4	RPA610.301557	Sliding Section	1	
5	RPM206.301561	Cover	1	
6	RPM225.301555	Block	1	
7	22012016/170	M16x170 Bolt	2	
8	22041016	M16 Nyloc Nut	2	
9	RPH872.301552	Hydraulic Ram	1	
x9	RPP500.202000	1/8"BSP Breather	1	
x	RPM176.301696	Spacer	2	
10	22012020/180	M20x180 Bolt	1	
11	22041020	M20 Nyloc Nut	1	
12	22012020/085	M20x85 Bolt	1	
13	RPA610.301694	Bracket	1	
14	RPM254.301644	Strap	1	
15	RPC700.301645	Plastic Cover	1	
16	RPC730.301681	Rubber	1	
17	RPH546.100122	12mm MFM Coupling	1	
18	RPH522.100122	12L Double Standpipe Coupling	1	
19	RPGMB92.04031	Safety Lock Valve	1	
20	RPH401.301658	1/4"Hose Assembly (1500mm)	1	
21	RPH546.100082	8L Adjustable MFM Tee	1	
22	RPGMB92.03258	Pressure Gauge	1	
23	RPH516.204082	Pressure Gauge Coupling	1	
24	RPH510.115082	15mmx8mm Reducing Coupling	1	
25	RPH542.100152	15L Adjustable MFM Tee	1	
26	RPH512.122152	M22x15mm Male Stud Coupling	1	
27	RPH802.301657	Accumulator	1	
28	RPH405.301659	1/2"Hose Assembly (2080mm)	1	
x	RPC632.308429	Pressurised System Decal	1	
29	27391	3/8"BSPx15mm Male Stud Coupling	1	
30	RPH532.100122	12L Adjustable Elbow	1	
31	RPE282.303483	Proximity Switch	1	
32	RPM146.301668	Pin	1	
x	22046030B	M30 Flat Washer	2	
x	22067008/050	Ø8x50 Roll Pin	2	
33	RPC626.311691	Hose Clamp	2	
34	RPA530.303466	Drawbar Electrics Complete	1	(not shown)

Machines from 2011

Hydraulic Drawbar Assembly Assy No 58170



3.2a

MEGASTAR GEN-2 SPARE PARTS

Machines from 2011

Hydraulic Drawbar Assembly

Assy No 58170

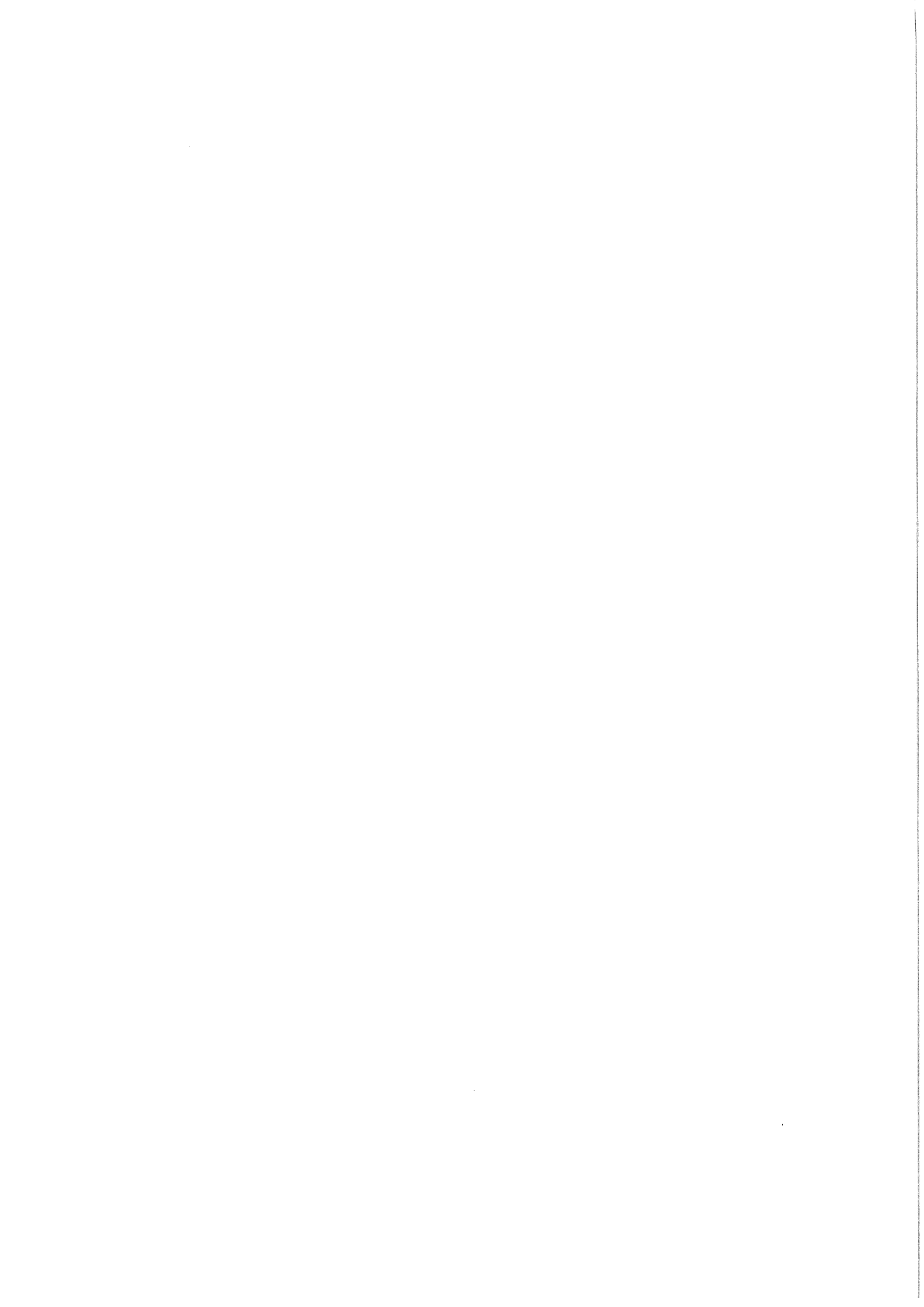
Item	Part No.	Description	Qty.	Remarks
1	10140	1/2"BSP Probe	1	
2				
3	11124	1/2"BSP Dowty Seal	1	
4	11125	3/8"BSP Dowty Seal	1	
5				
6	27391	3/8"BSPx15mm Male Stud Coupling	1	
7				
8	31167	M22 Dowty Seal	1	
9				
10	32037/4	Sensor Cable (10m)	1	
11				
12	- ?	3/8"Hose Assembly (3000mm)	1	Part No. was 52312
13				
14	57990	Sensor Shield	1	
15				
16				
17				
18				
19				
20				
21	RPA610.301556	Drawbar	1	
22	RPA610.301557	Sliding Section	1	
23	RPA610.301694	Bracket	1	
24				
25	RPB250.303440	Bush	2	
26				
27	RPC626.311691	Hose Clamp	2	
28	RPC632.308429	"Pressurised System" Decal	1	(not shown)
29	RPC648.081252	M8 90°Grease Nipple	1	
30	RPC700.301645	Plastic Cover	1	
31	RPC730.301681	Rubber	1	
32				
33	RPE282.303483X/1	Proximity Sensor	1	
34				
35	RPGMB92.03258	Pressure Gauge	1	
36	RPGMB92.04031	Safety Lock Valve	1	
37				
38	RPH405.301659	1/2"Hose Assembly (2080mm)	1	
39	RPH510.115082	15mmx8mm Reducing Coupling	1	
40	RPH510.115122	12L Mx15L FM Reducer	1	
41	RPH512.122152	M22xØ15 Male Stud Coupling	1	
42	RPH516.204082	Pressure Gauge Coupling	1	
43	RPH522.100122	12L Straight Double Standpipe	2	
44	RPH532.100152	15L M F 90°Adjustable Elbow	1	
45	RPH542.100152	15L M M F Tee	2	
46	RPH802.301657	Accumulator (50 bar)	1	
47	RPH872.301552	Hydraulic Ram	1	
48				
49	RPM146.301668	Pin	1	
50	RPM176.301696	Spacer	2	
51	RPM206.301561	Cover	1	
52	RPM225.301555	Block	1	
53	RPM254.301644	Strap	1	
54				
55	RPP500.202000	1/8"BSP Muffler	1	

MEGASTAR GEN-2 SPARE PARTS**3.2b**

Machines from 2011

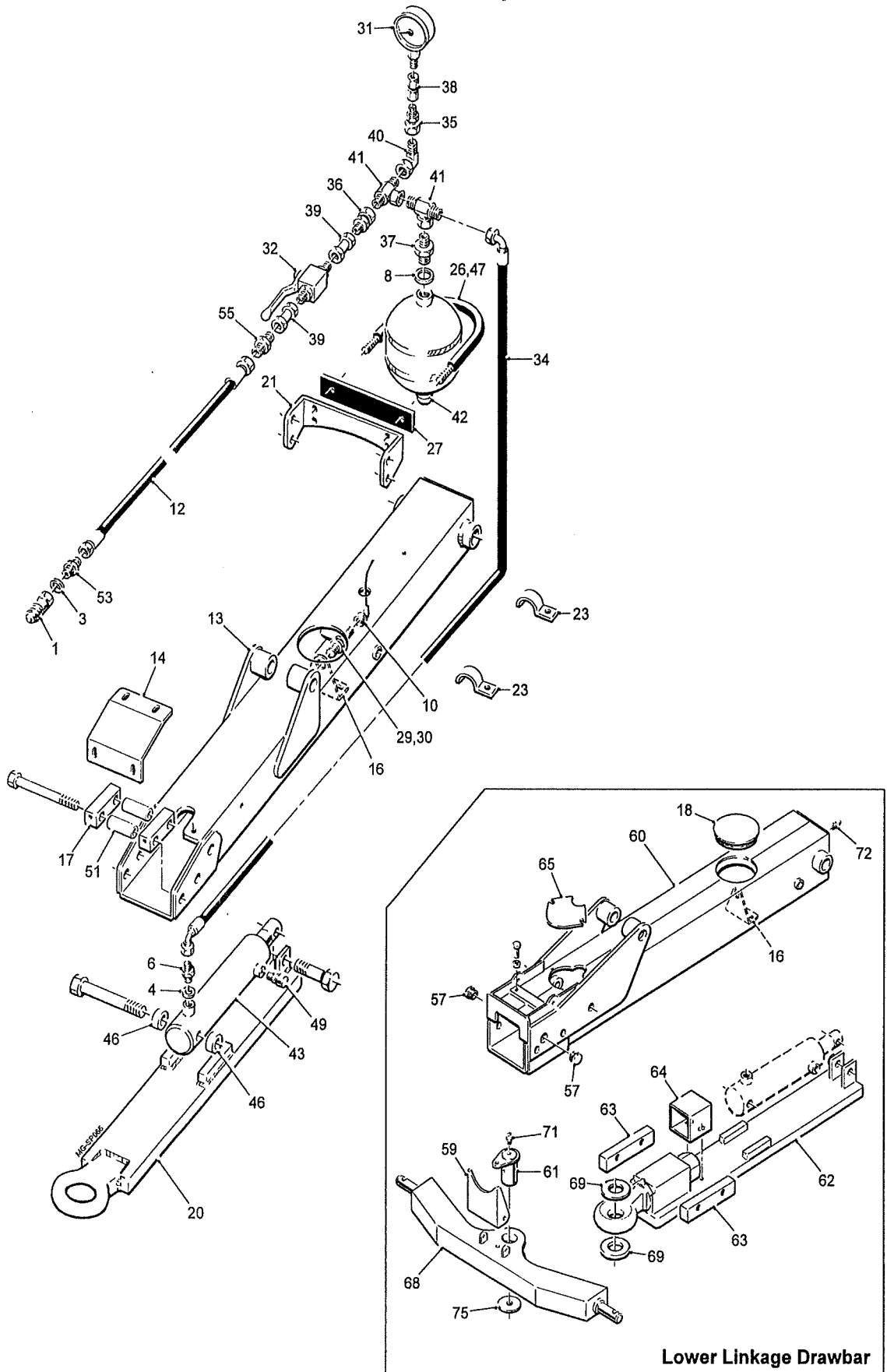
Hydraulic Drawbar Assembly**Assy No 58170**

Item	Part No.	Description	Qty.	Remarks
56	UC25	1/2"BSPx3/8"BSP M M Adaptor	1	
57				
58	W0847	12Lx3/8"BSP M M Adaptor	1	
59				
60				
61				
62				
63				
64	22012016/170	M16x170 Bolt	2	
65	22012020/085	M20x 85 Bolt	1	
66	22012020/180	M20x180 Bolt	1	
67				
68	22041016	M16 Nyloc Nut	2	
69	22041020	M20 Nyloc Nut	1	
70	22046030B	M30 Flat Washer	2	
71				
72	22067008/050	Ø8x50 Roll Pin	2	



Machines from 2020

Hydraulic Drawbar Assembly



3.2a**MEGASTAR GEN-2 SPARE PARTS**

Machines from 2020

Hydraulic Drawbar Assembly

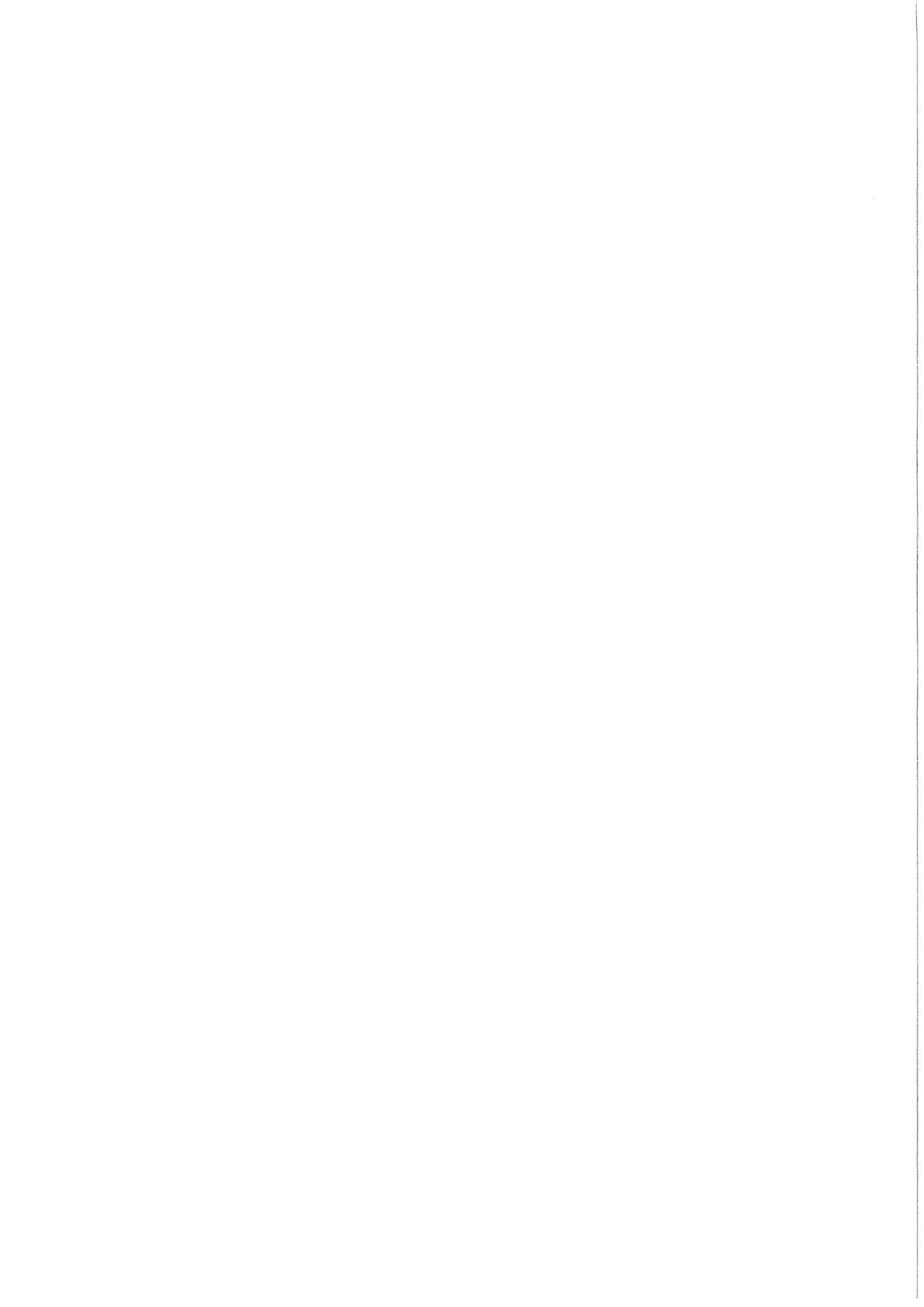
Item	Part No.	Description	Qty.	Remarks
1	10140	1/2"BSP Probe	1	
2				
3	11124	1/2"BSP Dowty Seal	1	
4	11125	3/8"BSP Dowty Seal	1	
5				
6	27391	3/8"BSPx15mm Male Stud Coupling	1	
7				
8	11123	3/4"BSP Dowty Seal	1	Was 31167
9				
10	32037/4	Sensor Cable (10m)	1	
11				
12	52312	3/8"Hose Assembly (3000mm)	1	
13	58274	Drawbar	1	
14	58276	Cover	1	
15				
16	61892	Sensor Mounting	1	
17	61897	Block	2	
18	61900	Blanking Plug	1	
19				
20	RPA610.301557	Sliding Section	1	
21	57365	Bracket	1	Was RPA610.301694
22				
23	RPC626.311691	Hose Clamp	2	
24	RPC632.308429	"Pressurised System" Decal	1	(not shown)
25				
26	RPC700.301645	Plastic Cover	1	
27	RPC730.301681	Rubber	1	
28				
29	RPE282.303483X/1	Proximity Sensor	1	
30	RPGMRPB99.00918	M18 Shakeproof Washer	2	
31	RPGMB92.03258	Pressure Gauge	1	
32	RPGMB92.04031	Safety Lock Valve	1	
33				
34	RPH405.301659	1/2"Hose Assembly (2080mm)	1	
35	RPH510.115082	15mmx8mm Reducing Coupling	1	
36	RPH510.115122	12L Mx15L FM Reducer	1	
37	60963	3/4"BSPxØ15 Male Stud Coupling	1	Was RPH512.122152
38	RPH516.204082	Pressure Gauge Coupling	1	
39	RPH522.100122	12L Straight Double Standpipe	2	
40	RPH532.100152	15L M F 90°Adjustable Elbow	1	
41	RPH542.100152	15L M M F Tee	2	
42	RPH802.301657	3/4"BSP Accumulator (50 bar)	1	Accumulator was M22
43	RPH872.301552	Hydraulic Ram	1	
44				
45				
46	RPM176.301696	Spacer	2	
47	RPM254.301644	Strap	1	
48				
49	RPP500.202000	1/8"BSP Muffler	1	
50				
51	SS030017/072	Steel Spacer	2	
52				
53	UC25	1/2"BSPx3/8"BSP M M Adaptor	1	
54				
55	W0847	12Lx3/8"BSP M M Adaptor	1	

MEGASTAR GEN-2 SPARE PARTS**3.2b**

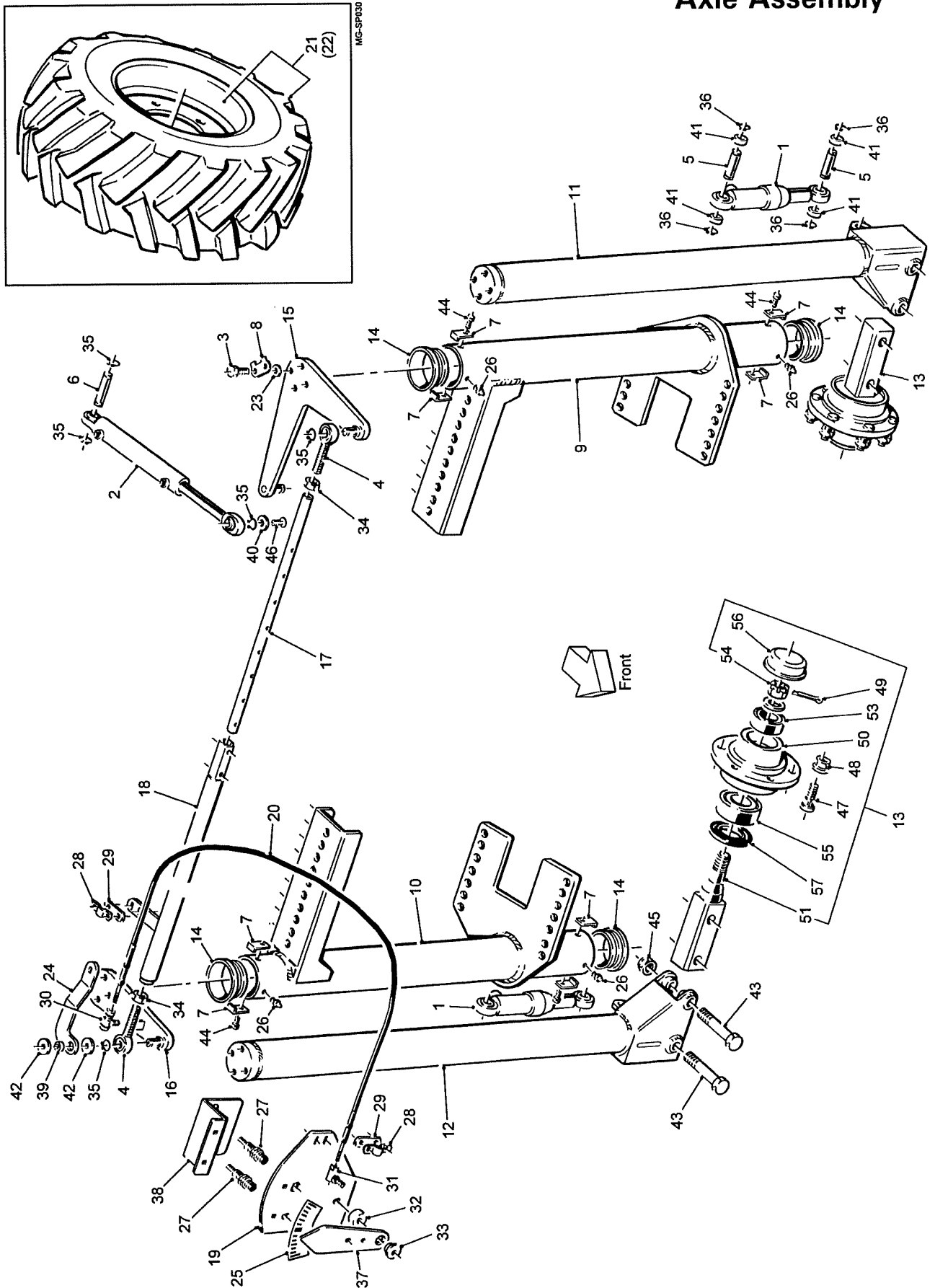
Machines from 2020

Hydraulic Drawbar Assembly

Item	Part No.	Description	Qty.	Remarks
56				
57	37391	Plastic Insert	2	
58				
59	58278A	PTO Rest	1	
60	58291	Drawbar	1	
61	58294	Pivot Pin	1	
62	58297	Sliding Section	1	
63	58298	Block	2	
64	58299	Extension Box	1	
65	58300	Capping Plate	1	
66				
67				
68	68203	CAT3 Lower Link Drawbar	1	
69	68204	Thrust Washer	2	
70				
71	RPC648.081250	M8 Grease Nipple Straight	1	
72	RPC648.081252	M8 Grease Nipple 90°	1	
73				
74				
75	SS017017/005	Steel Spacer	1	



Axle Assembly



3.3a

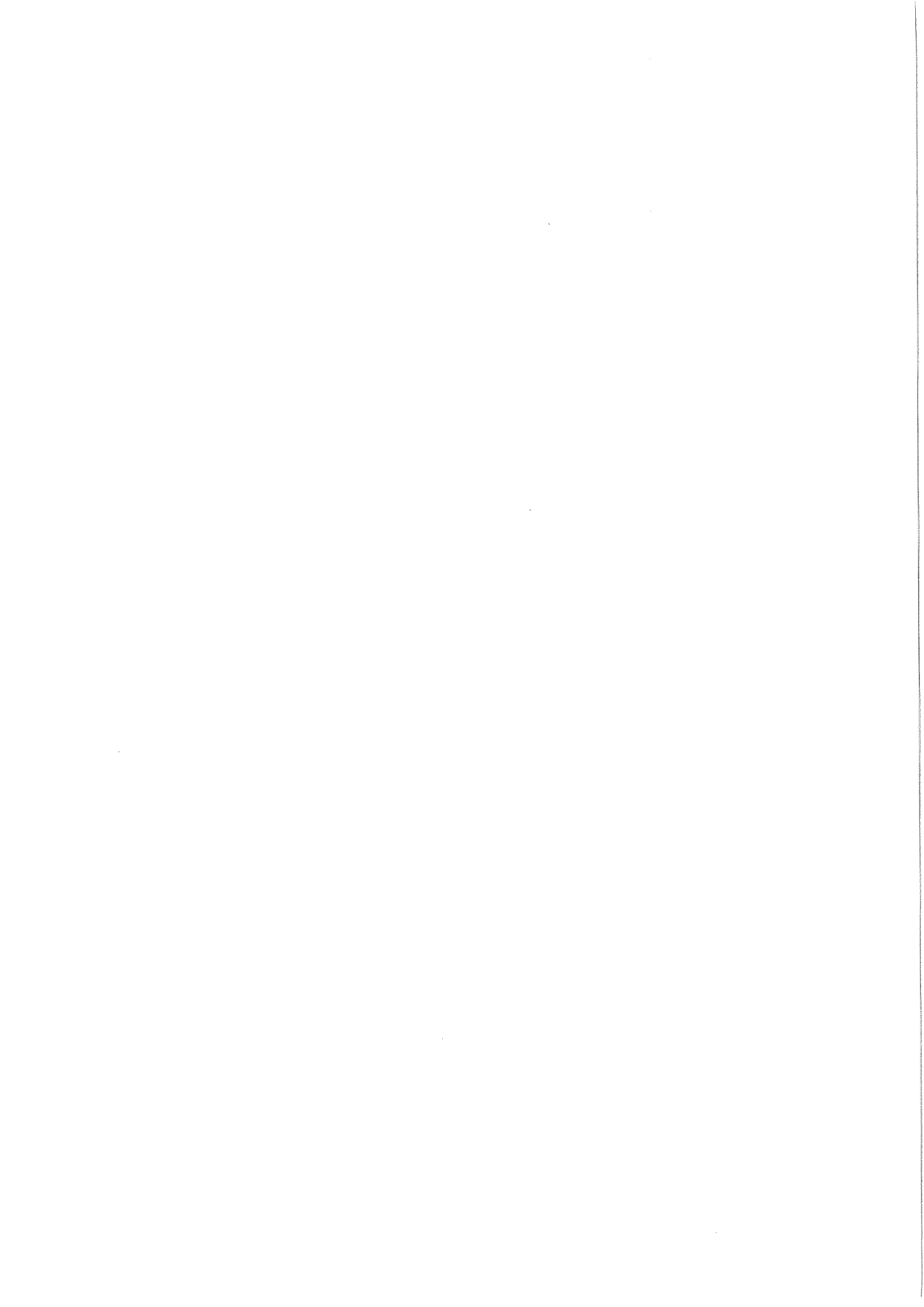
MEGASTAR GEN-2 SPARE PARTS

Axle Assembly

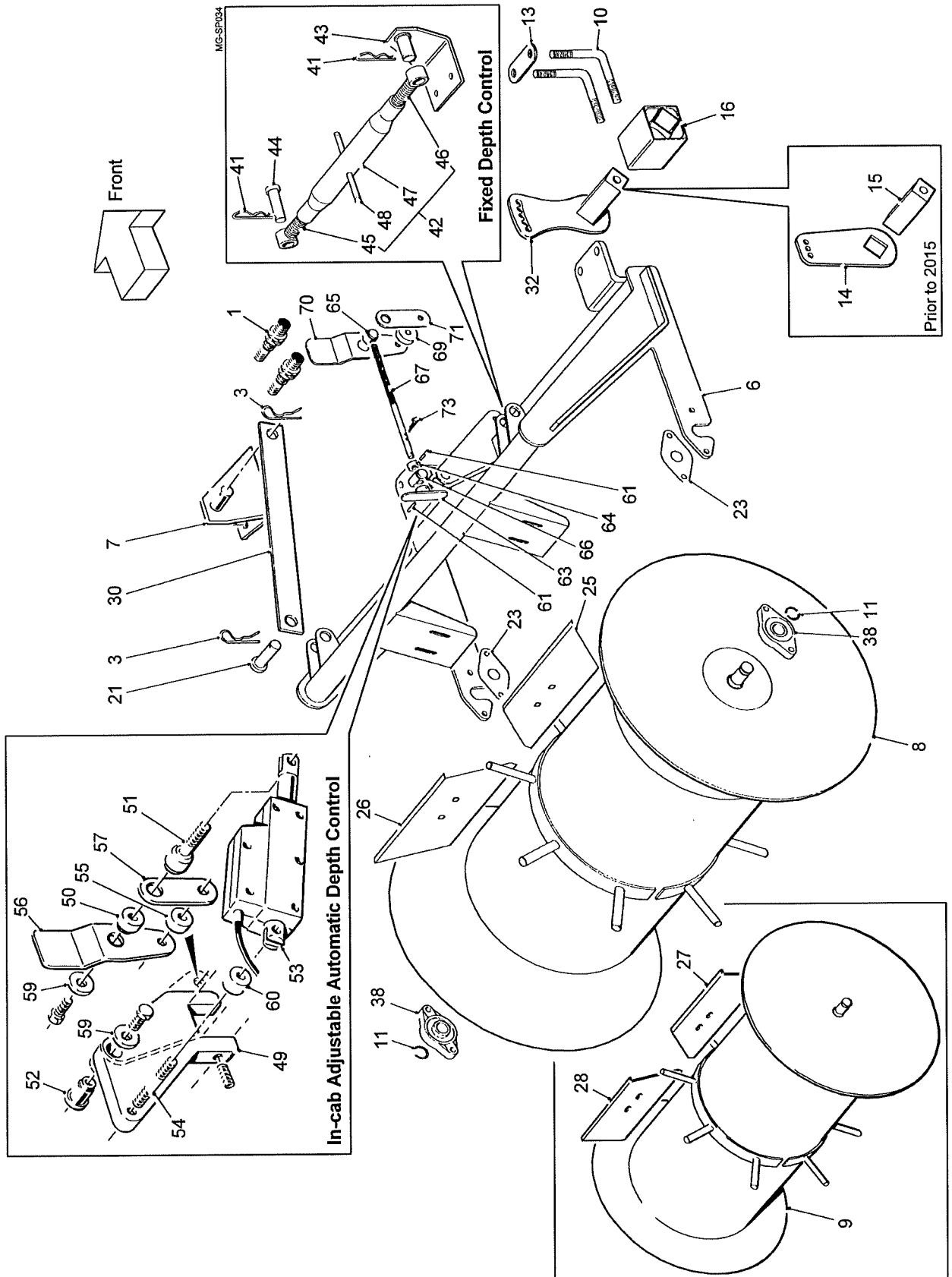
Item	Part No.	Description	Qty.	Remarks
1	57028	Hydraulic Ram	2	
2	57029	Hydraulic Ram	1	
3	22123018/050	M18x50 Setscrew	8	Part No. was 57034
4	57035	Male Rod End	2	
5	57069	Ram Pin	4	
6	57161	Ram Pin	1	
7	57985	Bush Retainer Lug	8	
8	58272	Locking Tab	4	
9	58002	LH Outer Axle Leg	1	
10	58003	RH Outer Axle Leg	1	
11	58004	LH Inner Axle Leg	1	
12	58005	RH Axle Inner Leg	1	
13	58006	Stub Axle Assembly	2	(see list at end)
14	58007	Axle Bush	4	
15	58008	LH Steer Arm	1	
16	58009	RH Steer Arm	1	
17	58010	Inner Track Rod	1	
18	58011	Outer Track Rod	1	
19	58012	Indicator Plate	1	
20	58101	Indicator Cable	1	
21	58131	LH Wheel (TG AS12.5/80 18 12PR)	1	
	RPW412.118022	LH Wheel (TG AS11.5/80-15.3 12PR)	1	
	RPGMRPB93.08130	Wheel (AW 11.5/80-15.3 12PR)	1	
	RPGMRPB93.08140	Wheel (Mich Pilote XP27 275/65 R18)	1	
22	58132	RH Wheel (TG AS12.5/80 18 12PR)	1	
	RPW412.118032	RH Wheel (TG AS11.5/80-15.3 12PR)	1	
	RPGMRPB93.08130	Wheel (AW 11.5/80-15.3 12PR)	1	
	RPGMRPB93.08140	Wheel (Mich Pilote XP27 275/65 R18)	1	
23	23255	M18 Spherical Spring Washer	8	
24	58273	Anti-twist Brace	1	
25	RPC632.304377	"Axle Steer" Decal	1	
26	RPC648.081250	M8 Straight Grease Nipple	4	
27	RPE282.303483X/1	Proximity Sensor	2	
28	RPGMRP084.00018	Cable Clamp	2	
29	RPGMRP084.00019	Cable Shim	2	
30	RPGMRP084.00020	1/4"UNF Quick Release Ball Joint	1	
31	RPGMRP084.00021	1/4"UNF Ball Joint	1	
32	RPM148.305576	Pivot Bush	1	
33	RPM148.305577	Pivot Bush	1	
34	RPF174.524000	M24 Half Nut	2	
35	RPF200.025200	Ø25 External Circlip	5	
36	RPF200.030200	Ø30 External Circlip	8	
37	RPM225.305120	Pointer	1	
38	58310	Guard	1	Part was RPM225.305122
39	SS025011/010	Steel Spacer	1	
40	65532	Countersunk Washer	1	Part was SS030011/005
41	SS040031/008	Steel Spacer	8	
42	SS040011/003	Steel Spacer	2	
43	22012030/160	M30x160 Bolt	4	
44	22011008/016	M8x16 Hex Head Setscrew	8	Part was 22018008/016
45	22041030	M30 Nyloc Nut	4	
46	22016010/020	M10x20 CSK Setscrew	1	

Axle Assembly

Item	Part No.	Description	Qty.	Remarks
	58006	Stub Axle Assembly Consists Of:		
47	13208	M18 Stud	6	
48	13209	M18 Nut	6	
49	23248	Split Pin	1	
50	23252C	Housing	1	
51	58006/1	Axle	1	
52				
53	DW256512255	Outer Bearing	1	
54	RPB178.539000	M39 Nut	1	
55	RPB214.302100	Inner Bearing	1	
56	RPC620.303955	Hub Cap	1	
57	RPS206.652000	Seal	1	



Diablo Depth Roller Assembly Assy No RPS701



3.4a

MEGASTAR GEN-2 SPARE PARTS

Diablo Depth Roller Assembly

Assy No RPS701

Item	Part No.	Description	Qty.	Remarks
1	RPE282.303483X/1	Proximity Sensor	2	Not used with fixed depth control
2				
3	H105A	Quick Release Pin	2	Not used with fixed depth control
4				
5				
6	58137	40"Diablo Frame	1	
	58138	46"Diablo Frame	1	
7	RPA610.305165	LH Mounting	1	Not used with fixed depth control
8	RPA610.308411	40"Posi-drive Diablo Roller	1	
	RPA610.308412	46"Posi-drive Diablo Roller	1	
9	RPA610.308411A	40"Posi-drive Flat End Roller	1	
	RPA610.308412A	46"Posi-drive Flat End Roller	1	
10	RPF122.116115	M16x115mm 'L' Bolt	4	
11	RPF200.025200	Ø25mm External Circlip	2	
12				
13	RPGMRP025.01058	Keep Plate	4	
14	RPGMRP025.01189	Pre-load Quadrant	2	Prior to 2015 only
15	RPGMRP046.00248	Pre-load Bush	2	Prior to 2015 only
16	RPGMRP084.00001	Rubber Torsion Unit	2	
17				
18				
19				
20				
21	RPM146.305170	Pin	1	Not used with fixed depth control
22				
23	RPM170.301487	Shield	2	
24				
25	RPM225.308420	40"Diablo LH Scraper	1	
	RPM225.308423	46"Diablo LH Scraper	1	
26	RPM225.308421	40"Diablo RH Scraper	1	
	RPM225.308424	46"Diablo RH Scraper	1	
27	RPM225.308420A	40"LH Flat End Scraper	1	
	RPM225.308423A	46"LH Flat End Scraper	1	
28	RPM225.308421A	40"RH Flat End Scraper	1	
	RPM225.308424A	46"RH Flat End Scraper	1	
29				
30	RPM254.305171	Strap	1	Not used with fixed depth control
31				
32	58262	Quadrant Arm	2	
33				
34				
35				
36				
37				
38	SFT25	Bearing	2	
39				
40				
	RPA580.304966	Fixed Depth Control Components		
		Consist Of:		
41	H105A	R'Clip	2	
42	RPA530.303753	Adjustable Stay Complete	2	
43	RPA610.305166	RH Pin Mounting	1	
44	RPM146.305170	Pin	1	

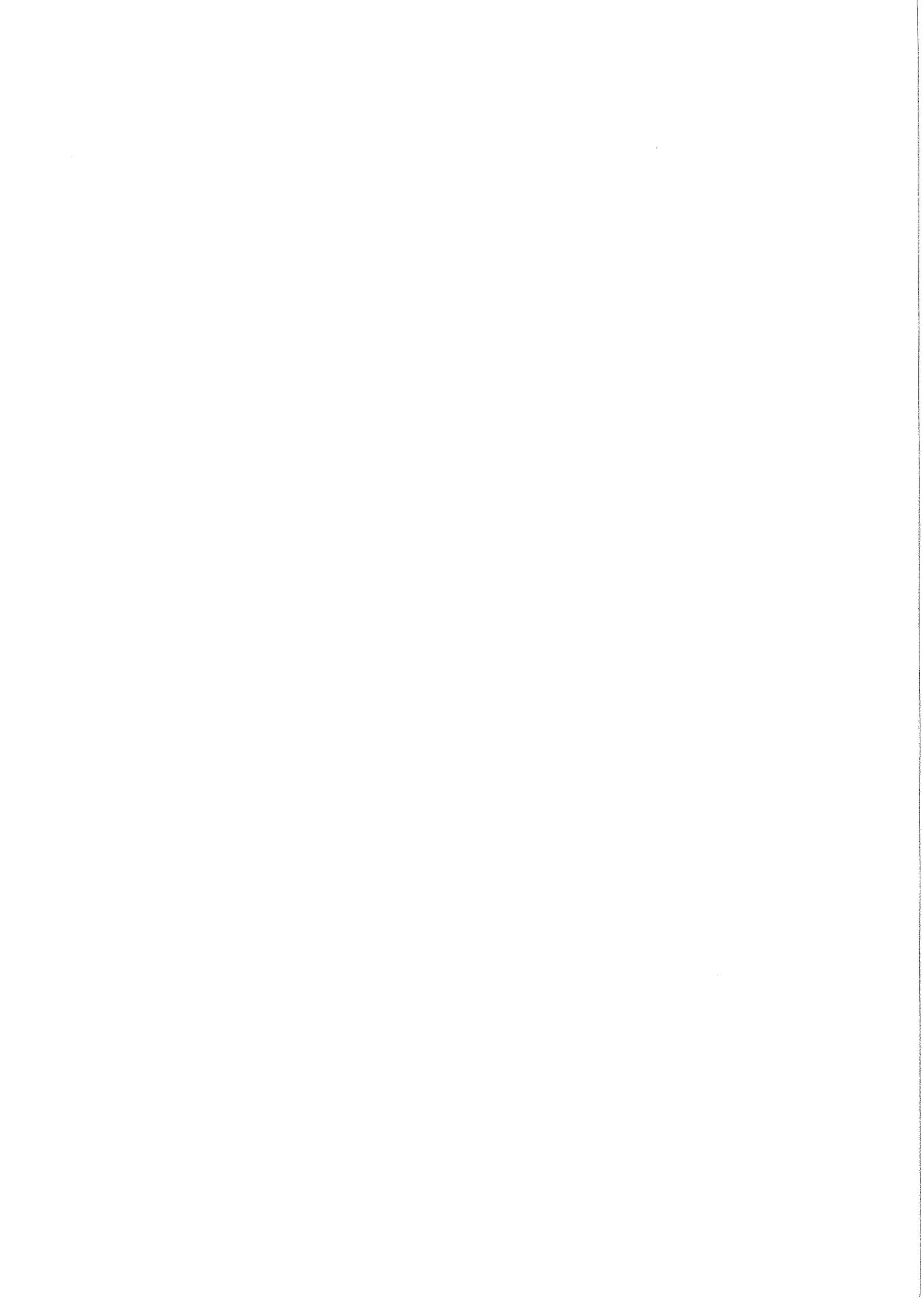
MEGASTAR GEN-2 SPARE PARTS

3.4b

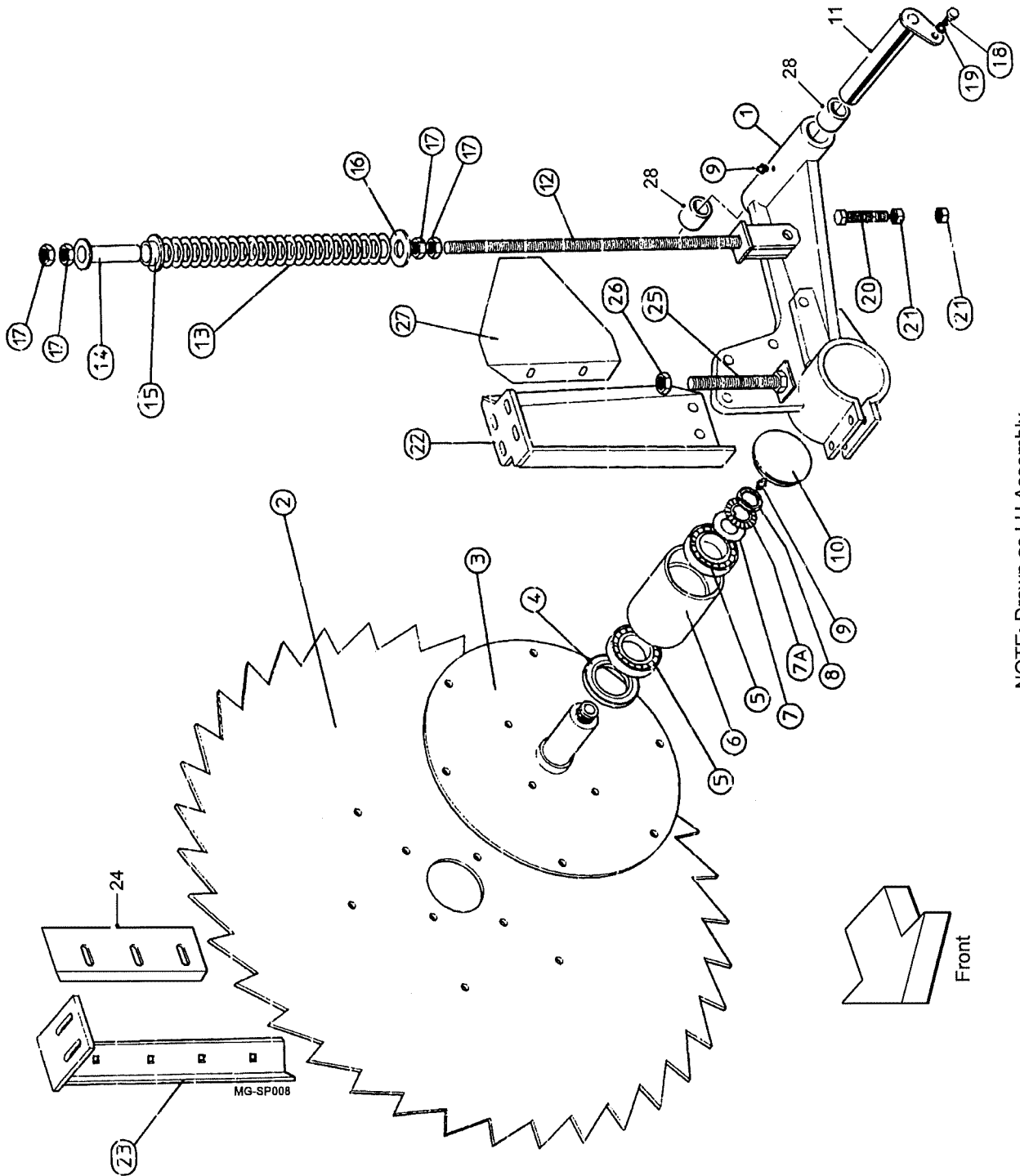
Diablo Depth Roller Assembly

Assy No RPS701

Item	Part No.	Description	Qty.	Remarks
45	RPA610.303754	Ø24 Eye	1	
46	RPA610.303755	Ø27 Eye	1	
47	RPM172.303760	Sleeve	1	
48	RPM217.303762	Handle	1	
	58143	In-cab Adjustable Automatic Depth Control Components Consist Of:		
49	58139	Actuator Mounting Bracket	1	
50	58140	Spacer	1	
51	58141	Actuator Mounting Boss	1	
52	58142	Locking Pin	1	
53	58144	Linear Actuator	1	
54	58151	M10 Threaded Rod	1	
55	RPM176.309315	Spacer (15mm)	1	
56	RPM225.309310	Target Plate	1	
57	RPM225.309311	Plate Support	1	
58				
59	SS035011/005	Steel Spacer	2	
60	SS030011/024	Steel Spacer	1	
	58149	Manually Adjustable Automatic Depth Control Components Consist Of:		
61	22067004/025	Ø4x25 Roll Pin	2	
62				
63	RPA610.300744	Adjuster Handle	1	
64	RPM114.300741	Collar	1	
65	RPM114.300746	Tapped Collar	1	
66	RPM114.300747	Collar	1	
67	RPM162.300745	Rod	1	
68				
69	RPM176.309315	Spacer (15mm)	1	
70	RPM225.309310	Target Plate	1	
71	RPM225.309311	Plate Support	1	
72				
73	S86-82-002	Ø3x64 R' Clip	1	



Disc Assemblies
Assy No RP060-2



NOTE: Drawn as LH Assembly

3.5a

MEGASTAR GEN-2 SPARE PARTS

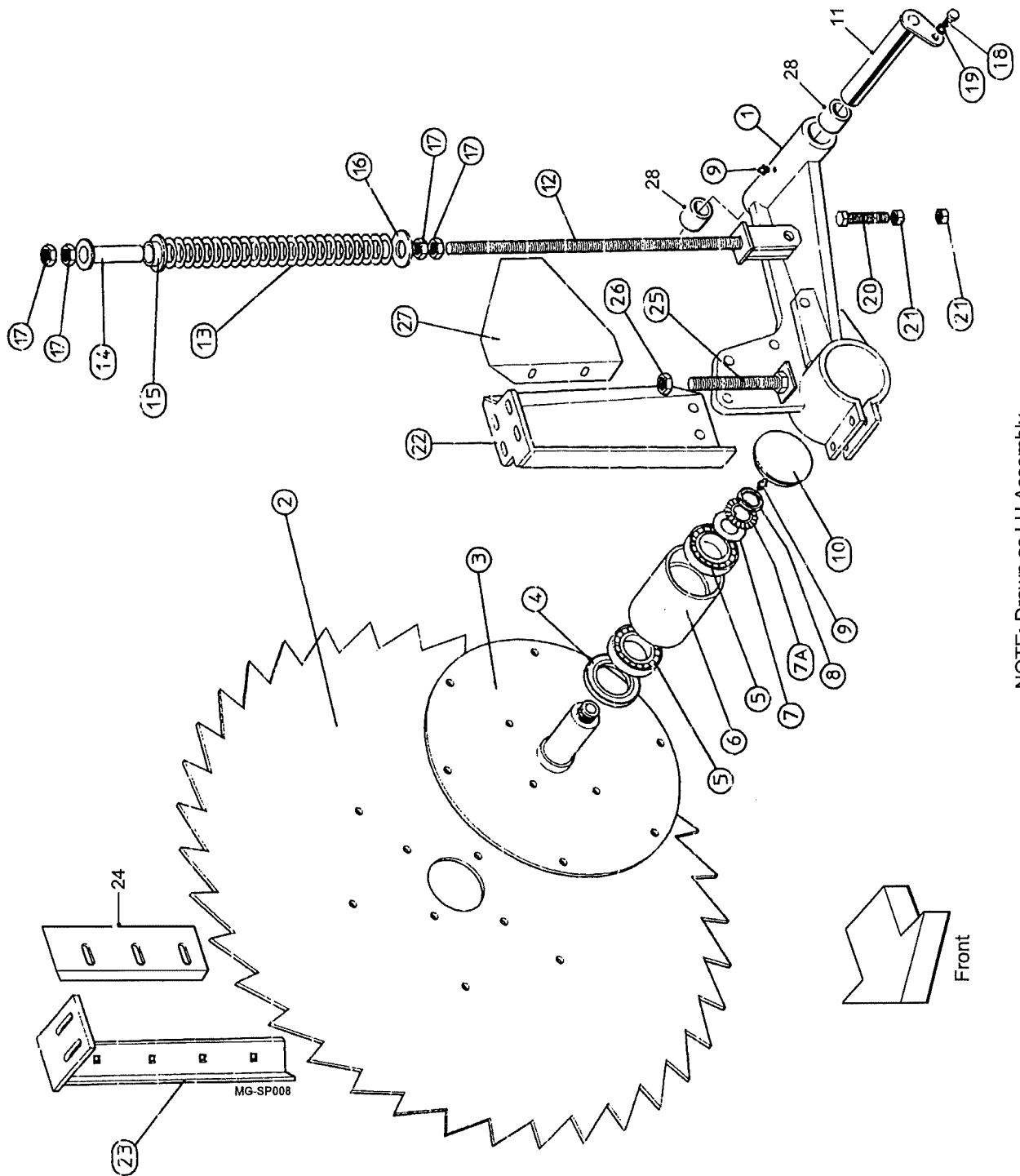
Disc Assemblies

Assy No RP060-2

Item	Part No.	Description	Qty.	Remarks
1	RPA610.306650	Disc Arm LH	1	
x	RPA610.306651	Disc Arm RH	1	
2	RPM120.306751	Saw Tooth Disc	2	Standard Option
	RPM120.306671	Plain Disc	2	
3	RPA610.306663	Disc Spindle	2	
4	RPS200.609510	Oil Seal (Ø60xØ95x10)	2	
5	RPB214.302100	Bearing	4	
6	RPM132.306662	Housing	2	
7	BM12	Thrust Washer	2	
7A	RPF284.130000	Tab Washer	2	
8	RPF180.230000	M30 Special Locknut	4	
9	RPC648.081250	M8 Straight Grease Nipple	4	
10	RPM132.306672	Cap	2	
11	RPA610.306669	Pivot Pin	2	
12	RPA610.306747	Adjuster Rod	2	
13	RPC675.309312	Compression Spring	2	
14	RPM114.309313	Collar	2	
15	RPC700.309314	Spacer	2	
16	RPM196.309317	Washer	2	
17	22029020	M20 Full Nut	8	
18	22011010/025	M10x25 Setscrew	2	
19	22052010	M10 Spring Washer	2	
20	22011016/060	M16x60 Setscrew	2	
21	22029016	M16 Full Nut	4	
22	RPA610.308432	LH Disc Scraper	1	
x	RPA610.308433	RH Disc Scraper	1	
23	RPA610.306677	LH Disc Scraper	1	
x	RPA610.306678	RH Disc Scraper	1	
24	RPM224.308557LH	LH Scraper	1	Was RPM224.308557
x	RPM224.308557RH	RH Scraper	1	Was RPM224.308557
25	RPA610.306688	Adjuster	2	
26	22029020	M20 Full Nut	2	
27	RPM224.308899	Guard Panel	2	
28	58218	Bush	4	

Machines from 2016

Disc Assemblies Assy No RP060-2



3.5a

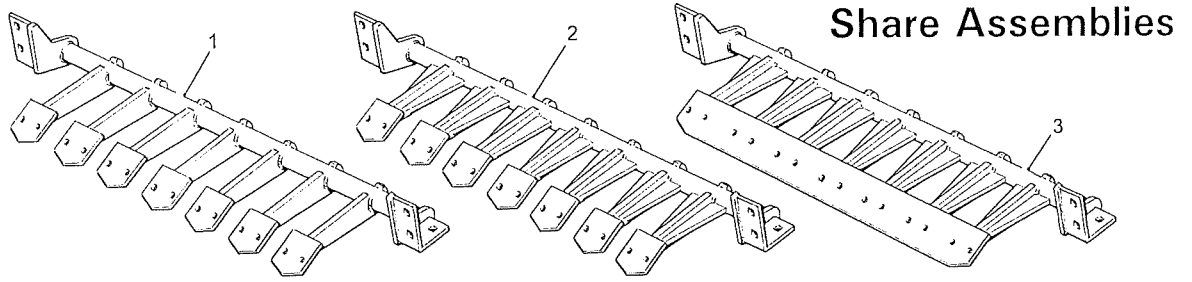
MEGASTAR GEN-2 SPARE PARTS

Machines from 2016

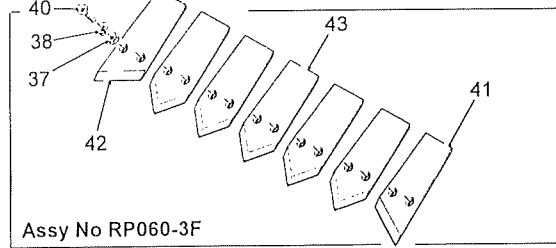
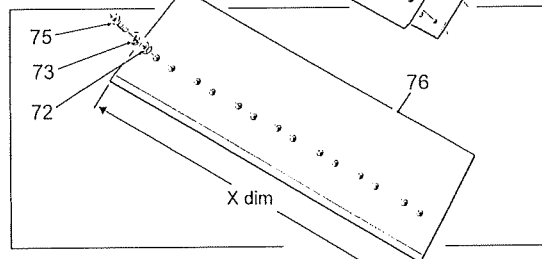
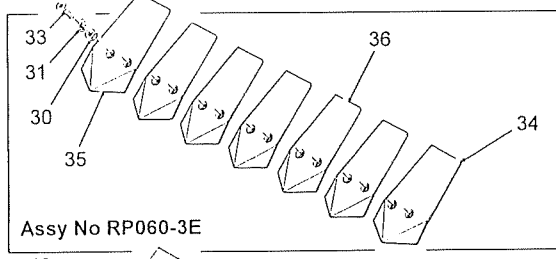
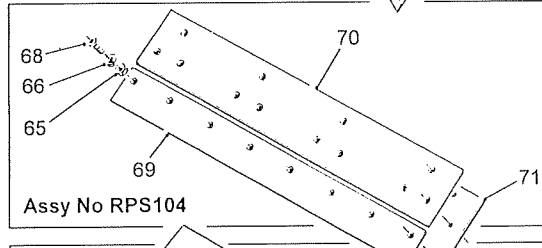
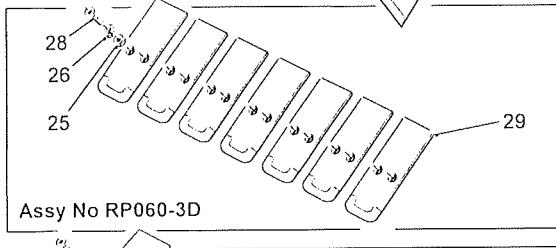
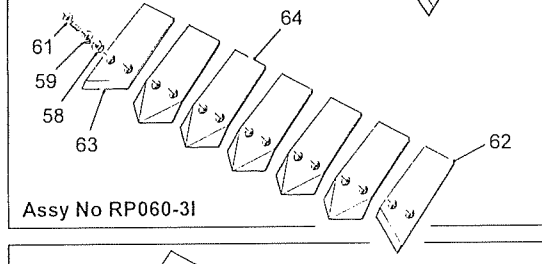
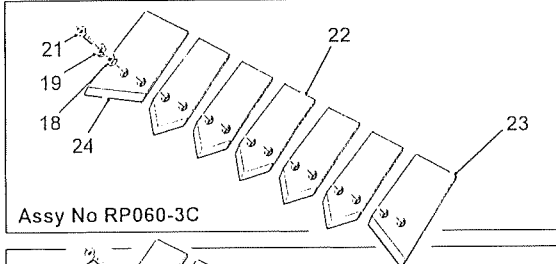
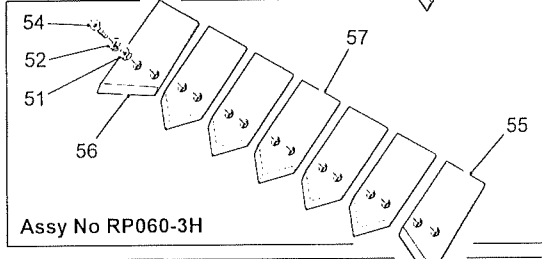
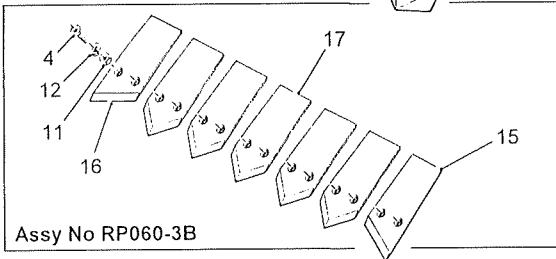
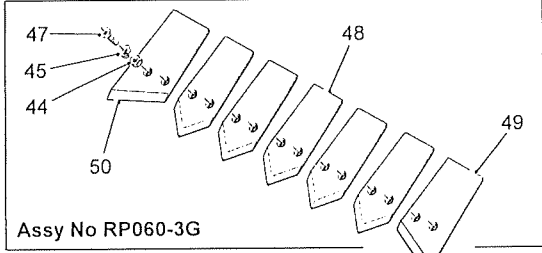
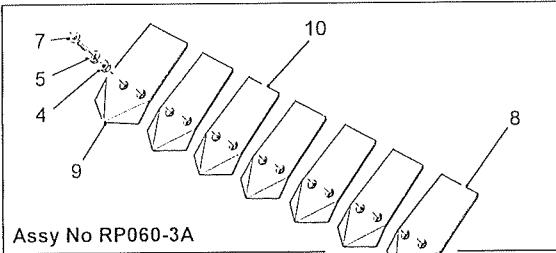
Disc Assemblies

Assy No RP060-2

Item	Part No.	Description	Qty.	Remarks
1	RPA610.306650	Disc Arm LH	1	
x	RPA610.306651	Disc Arm RH	1	
2	RPM120.306751	Saw Tooth Disc	2	Standard Option
	RPM120.306671	Plain Disc	2	
3	RPA610.306663B	Disc Spindle	2	
4	RPS1228	Oil Seal (Ø75xØ95x10)	2	
5	RPB214.302100	Bearing	4	
6	RPM132.306662	Housing	2	
7	SS075031/005	Thrust Washer	2	
7A	RPF284.130000	Tab Washer	2	
8	RPF180.230000	M30 Special Locknut	4	
9	RPC648.081250	M8 Straight Grease Nipple	4	
10	RPM132.306672	Cap	2	
11	RPA610.306669	Pivot Pin	2	
12	RPA610.306747	Adjuster Rod	2	
13	RPC675.309312	Compression Spring	2	
14	RPM114.309313	Collar	2	
15	RPC700.309314	Spacer	2	
16	RPM196.309317	Washer	2	
17	22029020	M20 Full Nut	8	
18	22011010/025	M10x25 Setscrew	2	
19	22052010	M10 Spring Washer	2	
20	22011016/060	M16x60 Setscrew	2	
21	22029016	M16 Full Nut	4	
22	RPA610.308432	LH Disc Scraper	1	
x	RPA610.308433	RH Disc Scraper	1	
23	RPA610.306677	LH Disc Scraper	1	
x	RPA610.306678	RH Disc Scraper	1	
24	RPM224.308557LH	LH Scraper	1	
x	RPM224.308557RH	RH Scraper	1	
25	RPA610.306688	Adjuster	2	
26	22029020	M20 Full Nut	2	
27	RPM224.308899	Guard Panel	2	
28	58218	Bush	4	



MG-SP033



3.6a

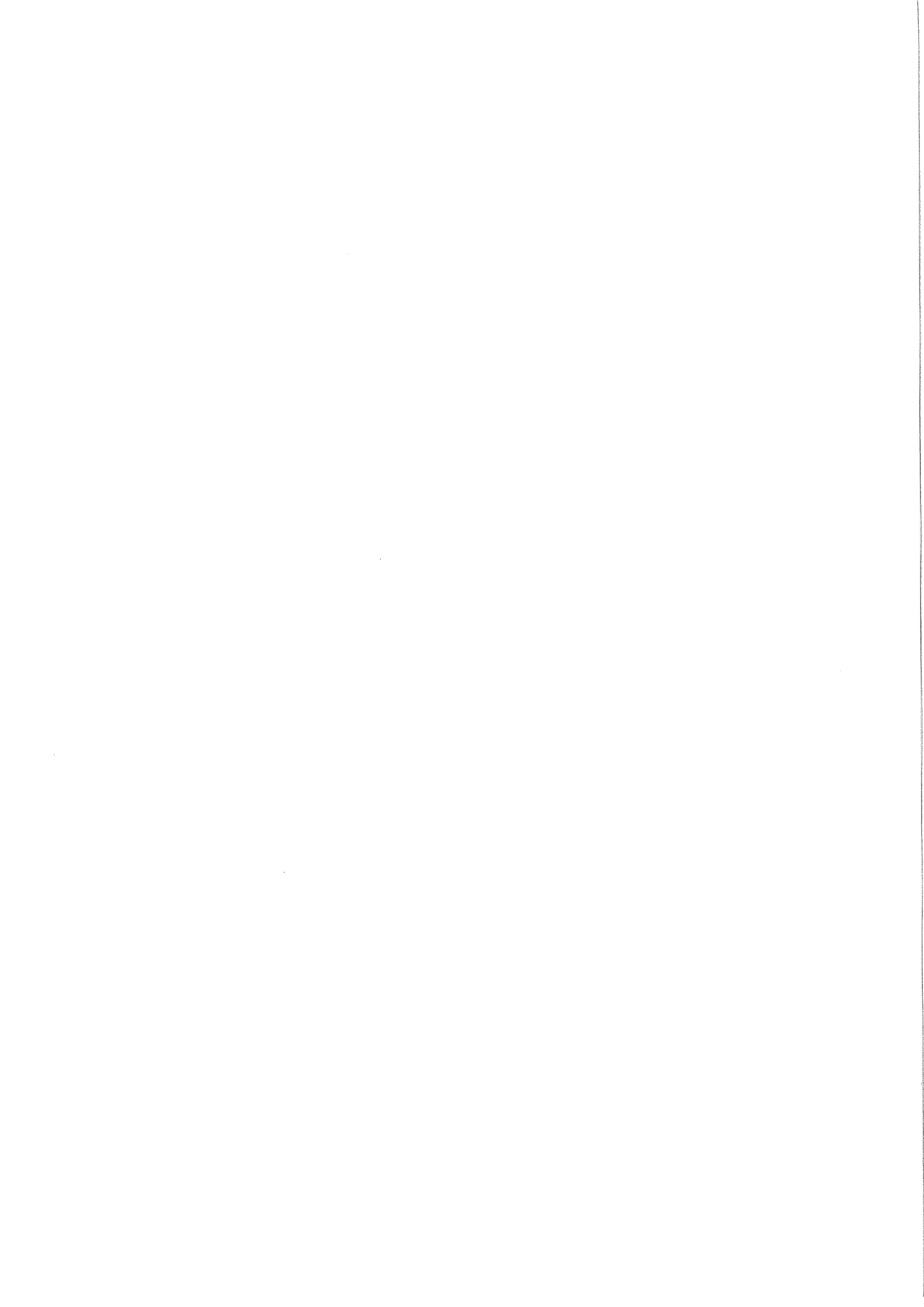
MEGASTAR GEN-2 SPARE PARTS

Share Assemblies

Item	Part No.	Description	Qty.	Remarks
1	58029	Standard Share Frame	1	
2	58030	Heavy Duty Share Frame	1	
3	-	Full Width Share Frame	1	
	RP060-3A	Share Assembly Consists Of:		
4	22029012	M12 Full Nut	14	
5	22052012	M12 Spring Washer	14	
6				
7	RPF134.112030	M12x30mm CSK Socket Setscrew	14	
8	RPW242.303537	LH Share Blade	1	
9	RPW242.303538	RH Share Blade	1	
10	RPW242.303539	Centre Share Blade	5	
	RP060-3B	Share Assembly Consists Of:		
11	22029012	M12 Full Nut	14	
12	22052012	M12 Spring Washer	14	
13				
14	RPF134.112030	M12x30mm CSK Socket Setscrew	14	
15	RPW242.301365	LH Share Blade	1	
16	RPW242.301366	RH Share Blade	1	
17	RPW242.301367	Centre Share Blade	5	
	RP060-3C	Share Assembly Consists Of:		
18	22029012	M12 Full Nut	14	
19	22052012	M12 Spring Washer	14	
20				
21	RPF134.112030	M12x30mm CSK Socket Setscrew	14	
22	RPW242.301367	Centre Share Blade	5	
23	RPW242.301370	LH Share Blade	1	
24	RPW242.301371	RH Share Blade	1	
	RP060-3D	Share Assembly Consists Of:		
25	22029012	M12 Full Nut	14	
26	22052012	M12 Spring Washer	14	
27				
28	RPF134.112030	M12x30mm CSK Socket Setscrew	14	
29	RPW242.301381	Share Blade	7	
	RP060-3E	Share Assembly Consists Of:		
30	22029012	M12 Full Nut	14	
31	22052012	M12 Spring Washer	14	
32				
33	RPF134.112030	M12x30mm CSK Socket Setscrew	14	
34	RPW242.309503	LH Share Blade	1	
35	RPW242.309504	RH Share Blade	1	
36	RPW242.309505	Centre Share Blade	5	
	RP060-3F	Share Assembly Consists Of:		
37	22029012	M12 Full Nut	14	
38	22052012	M12 Spring Washer	14	
39				
40	RPF134.112030	M12x30mm CSK Socket Setscrew	14	
41	RPW242.309506	LH Share Blade	1	
42	RPW242.309507	RH Share Blade	1	
43	RPW242.309508	Centre Share Blade	5	

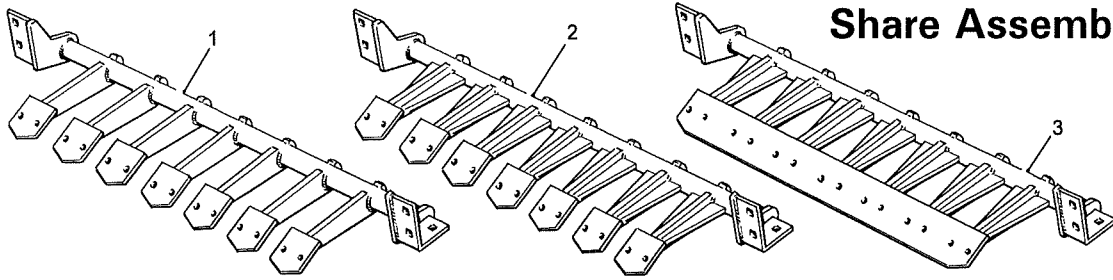
Share Assemblies

Item	Part No.	Description	Qty.	Remarks
	RP060-3G	Share Assembly Consists Of:		
44	22029012	M12 Full Nut	14	
45	22052012	M12 Spring Washer	14	
46				
47	RPF134.112030	M12x30mm CSK Socket Setscrew	14	
48	RPW242.309508	Centre Share Blade	5	
49	RPW242.309509	LH Share Blade	1	
50	RPW242.309510	RH Share Blade	1	
	RP060-3H	Share Assembly Consists Of:		
51	22029012	M12 Full Nut	14	
52	22052012	M12 Spring Washer	14	
53				
54	RPF134.112030	M12x30mm CSK Socket Setscrew	14	
55	RPGMRP089.00623	LH Share Blade	1	
56	RPGMRP089.00624	RH Share Blade	1	
57	RPGMRP089.00625	Centre Share Blade	5	
	RP060-3I	Share Assembly Consists Of:		
58	22029012	M12 Full Nut	14	
59	22052012	M12 Spring Washer	14	
60				
61	RPF134.112030	M12x30mm CSK Socket Setscrew	14	
62	RPW242.301365	LH Share Blade	1	
63	RPW242.301366	RH Share Blade	1	
64	RPW242.303539	Centre Share Blade	5	
	RPS104	Full Width (1350mm wide) Two Piece Share Assembly Consists Of:		
65	22029012	M12 Full Nut	34	
66	22052012	M12 Spring Washer	34	
67				
68	RPF134.112040	M12x40mm CSK Socket Setscrew	34	
69	RPS101	Full Width Share Blade	1	
70	RPS102	Plastic Share Extension	1	
71	RPS103	Share Support Plate	1	
	-	Full Width 1 Piece Share Assembly Consists Of:		
72	22029012	M12 Full Nut	14	
73	22052012	M12 Spring Washer	14	
74				
75	RPF134.112030	M12x30mm CSK Socket Setscrew	14	
76	RPS177	One Piece Share Blade	1	X dim = 1400mm
	RPW242.301736	One Piece Share Blade	1	X dim = 1305mm

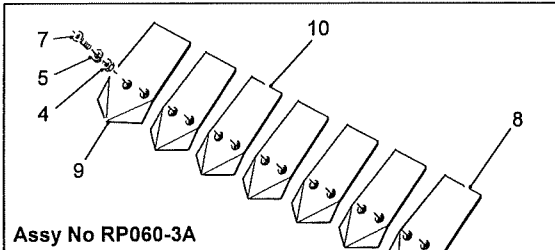


Machines from 2011

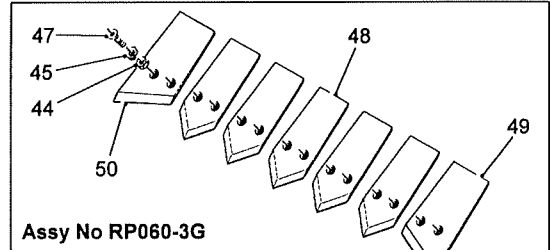
Share Assemblies



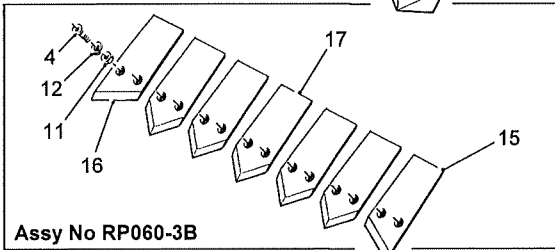
MG-SP049



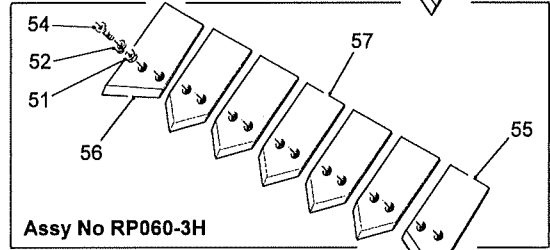
Assy No RP060-3A



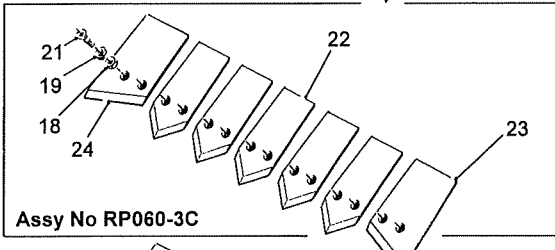
Assy No RP060-3G



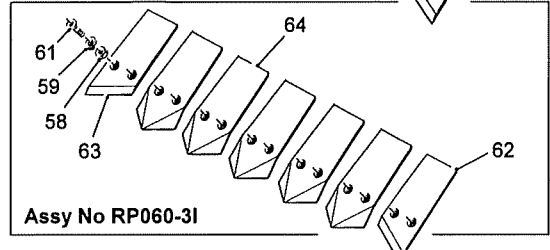
Assy No RP060-3B



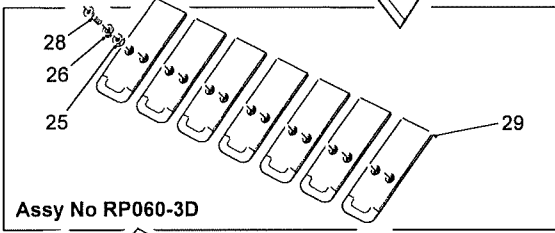
Assy No RP060-3H



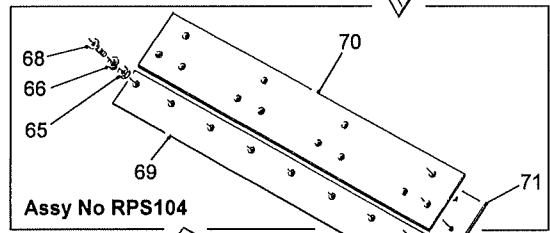
Assy No RP060-3C



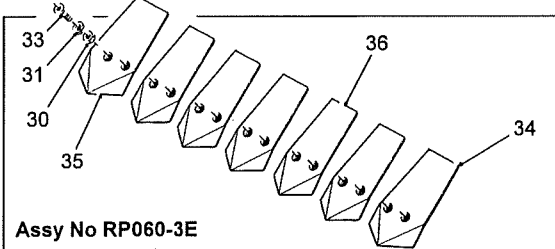
Assy No RP060-3I



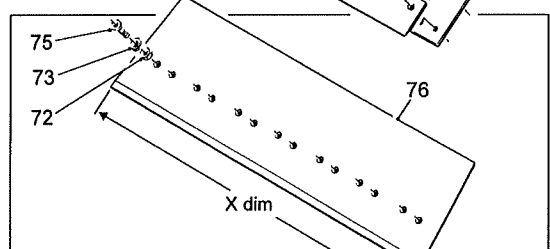
Assy No RP060-3D



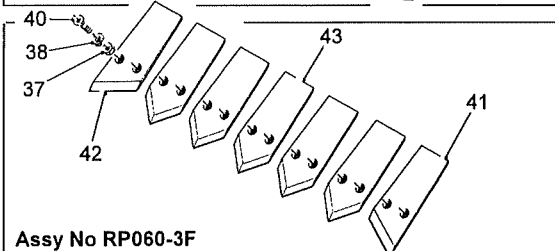
Assy No RPS104



Assy No RP060-3E



Assy No RP060-3J



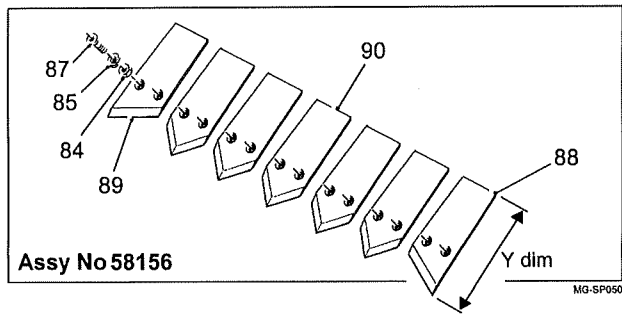
Assy No RP060-3F

3.6a

MEGASTAR GEN-2 SPARE PARTS

Machines from 2011

Share Assemblies



MEGASTAR GEN-2 SPARE PARTS**3.6b**

Machines from 2011

Share Assemblies

Item	Part No.	Description	Qty.	Remarks
1	58029	Standard Share Frame	1	
2	58030	Heavy Duty Share Frame	1	
3	-	Full Width Share Frame	1	
	RP060-3A	Share Assembly Consists Of:		
4	22029012	M12 Full Nut	14	
5	22052012	M12 Spring Washer	14	
6				
7	RPF134.112030	M12x30mm CSK Socket Setscrew	14	
8	RPW242.303537	LH Share Blade	1	
9	RPW242.303538	RH Share Blade	1	
10	RPW242.303539	Centre Share Blade	5	
	RP060-3B	Share Assembly Consists Of:		
11	22029012	M12 Full Nut	14	
12	22052012	M12 Spring Washer	14	
13				
14	RPF134.112030	M12x30mm CSK Socket Setscrew	14	
15	RPW242.301365	LH Share Blade	1	
16	RPW242.301366	RH Share Blade	1	
17	RPW242.301367	Centre Share Blade	5	
	RP060-3C	Share Assembly Consists Of:		
18	22029012	M12 Full Nut	14	
19	22052012	M12 Spring Washer	14	
20				
21	RPF134.112030	M12x30mm CSK Socket Setscrew	14	
22	RPW242.301367	Centre Share Blade	5	
23	RPW242.301370	LH Share Blade	1	
24	RPW242.301371	RH Share Blade	1	
	RP060-3D	Share Assembly Consists Of:		
25	22029012	M12 Full Nut	14	
26	22052012	M12 Spring Washer	14	
27				
28	RPF134.112030	M12x30mm CSK Socket Setscrew	14	
29	RPW242.301381	Share Blade	7	
	RP060-3E	Share Assembly Consists Of:		
30	22029012	M12 Full Nut	14	
31	22052012	M12 Spring Washer	14	
32				
33	RPF134.112030	M12x30mm CSK Socket Setscrew	14	
34	RPW242.309503	LH Share Blade	1	
35	RPW242.309504	RH Share Blade	1	
36	RPW242.309505	Centre Share Blade	5	
	RP060-3F	Share Assembly Consists Of:		
37	22029012	M12 Full Nut	14	
38	22052012	M12 Spring Washer	14	
39				
40	RPF134.112030	M12x30mm CSK Socket Setscrew	14	
41	RPW242.309506	LH Share Blade	1	
42	RPW242.309507	RH Share Blade	1	
43	RPW242.309508	Centre Share Blade	5	

3.6c

MEGASTAR GEN-2 SPARE PARTS

Machines from 2011

Share Assemblies

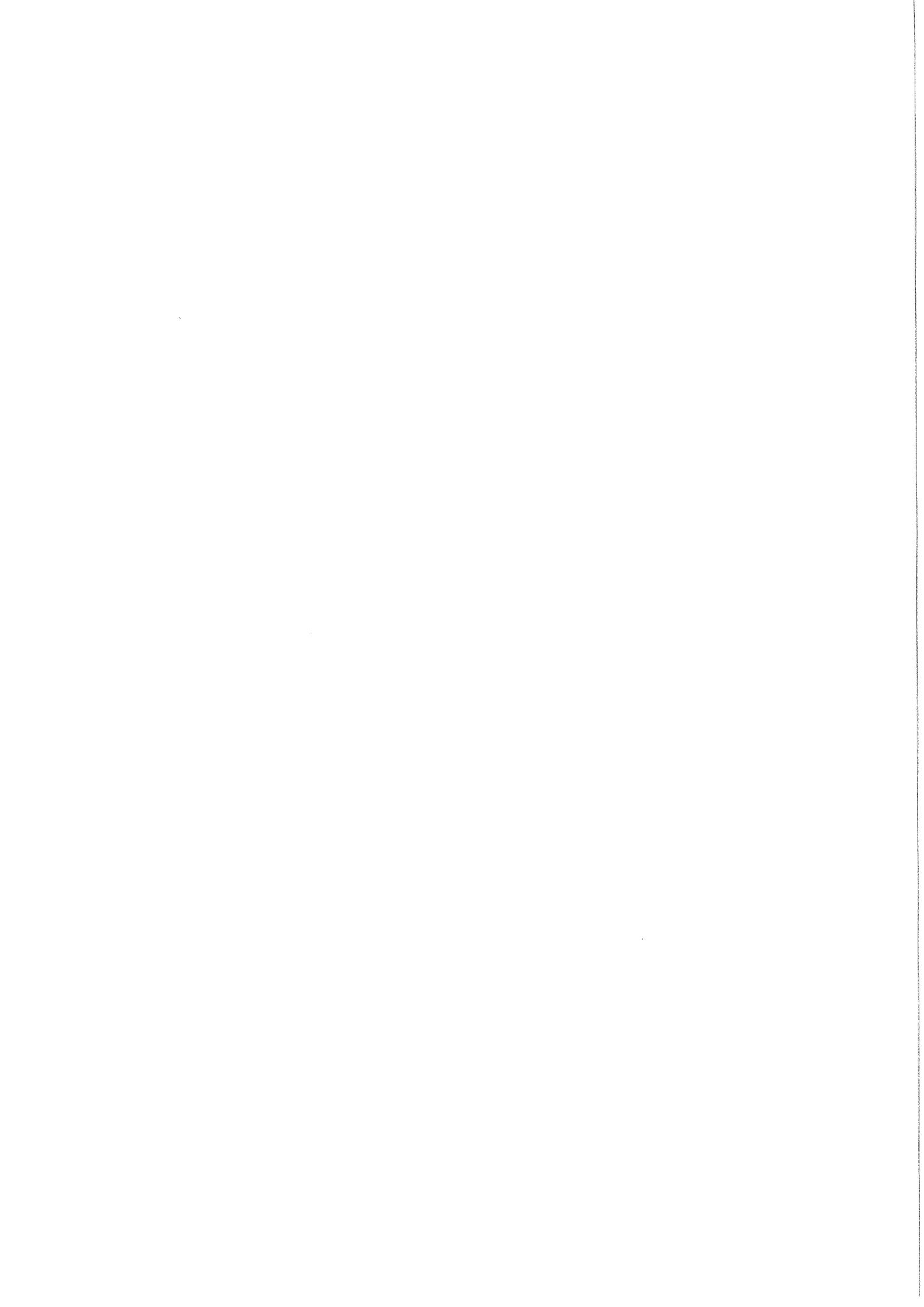
Item	Part No.	Description	Qty.	Remarks
	RP060-3G	Share Assembly Consists Of:		
44	22029012	M12 Full Nut	14	
45	22052012	M12 Spring Washer	14	
46				
47	RPF134.112030	M12x30mm CSK Socket Setscrew	14	
48	RPW242.309508	Centre Share Blade	5	
49	RPW242.309509	LH Share Blade	1	
50	RPW242.309510	RH Share Blade	1	
	RP060-3H	Share Assembly Consists Of:		
51	22029012	M12 Full Nut	14	
52	22052012	M12 Spring Washer	14	
53				
54	RPF134.112030	M12x30mm CSK Socket Setscrew	14	
55	RPGMRP089.00623	LH Share Blade	1	
56	RPGMRP089.00624	RH Share Blade	1	
57	RPGMRP089.00625	Centre Share Blade	5	
	RP060-3I	Share Assembly Consists Of:		
58	22029012	M12 Full Nut	14	
59	22052012	M12 Spring Washer	14	
60				
61	RPF134.112030	M12x30mm CSK Socket Setscrew	14	
62	RPW242.301365	LH Share Blade	1	
63	RPW242.301366	RH Share Blade	1	
64	RPW242.303539	Centre Share Blade	5	
	RPS104	Full Width (1350mm wide) Two Piece Share Assembly Consists Of:		
65	22029012	M12 Full Nut	34	
66	22052012	M12 Spring Washer	34	
67				
68	RPF134.112040	M12x40mm CSK Socket Setscrew	34	
69	RPS101	Full Width Share Blade	1	
70	RPS102	Plastic Share Extension	1	
71	RPS103	Share Support Plate	1	
	-	Full Width 1 Piece Share Assembly Consists Of:		
72	22029012	M12 Full Nut	14	
73	22052012	M12 Spring Washer	14	
74				
75	RPF134.112030	M12x30mm CSK Socket Setscrew	14	
76	RPS177	One Piece Share Blade	1	X dim = 1400mm
	RPW242.301736	One Piece Share Blade	1	X dim = 1305mm
	RP060-3J	Share Assembly Consists Of:		
77	22029012	M12 Full Nut	14	
78	22052012	M12 Spring Washer	14	
79				
80	RPF134.112030	M12x30mm CSK Socket Setscrew	14	
81	RPW242.301381	Centre Share Blade	5	
82	58164	LH Share Blade	1	
83	58165	RH Share Blade	1	

MEGASTAR GEN-2 SPARE PARTS**3.6d**

Machines from 2011

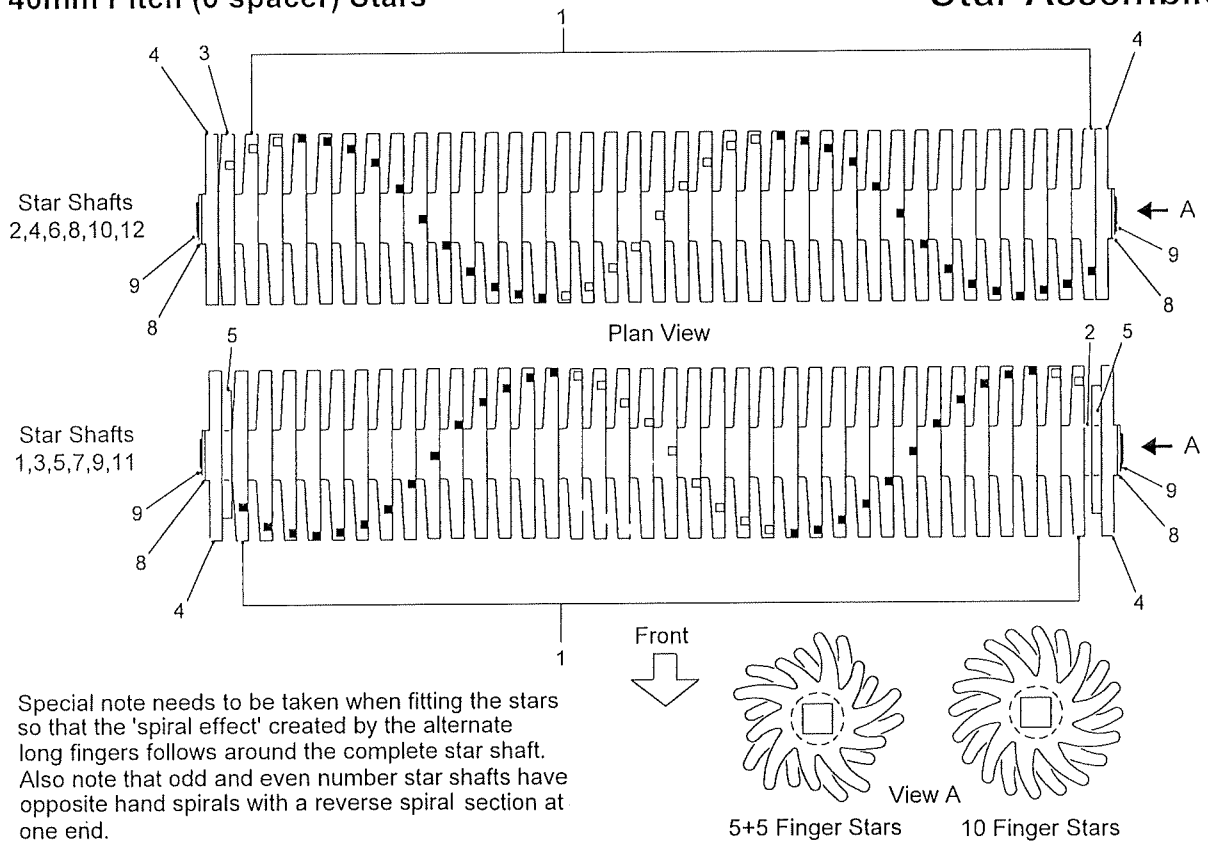
Share Assemblies

Item	Part No.	Description	Qty.	Remarks
	58156	Share Assembly Consists Of:		
84	22029012	M12 Full Nut	14	
85	22052012	M12 Spring Washer	14	
86				
87	RPF134.112030	M12x30mm CSK Socket Setscrew	14	
88	58153	Short LH Share Blade	1	Y dim = 335mm
89	58154	Short RH Share Blade	1	Y dim = 335mm
90	58155	Short Centre Share Blade	5	Y dim = 335mm

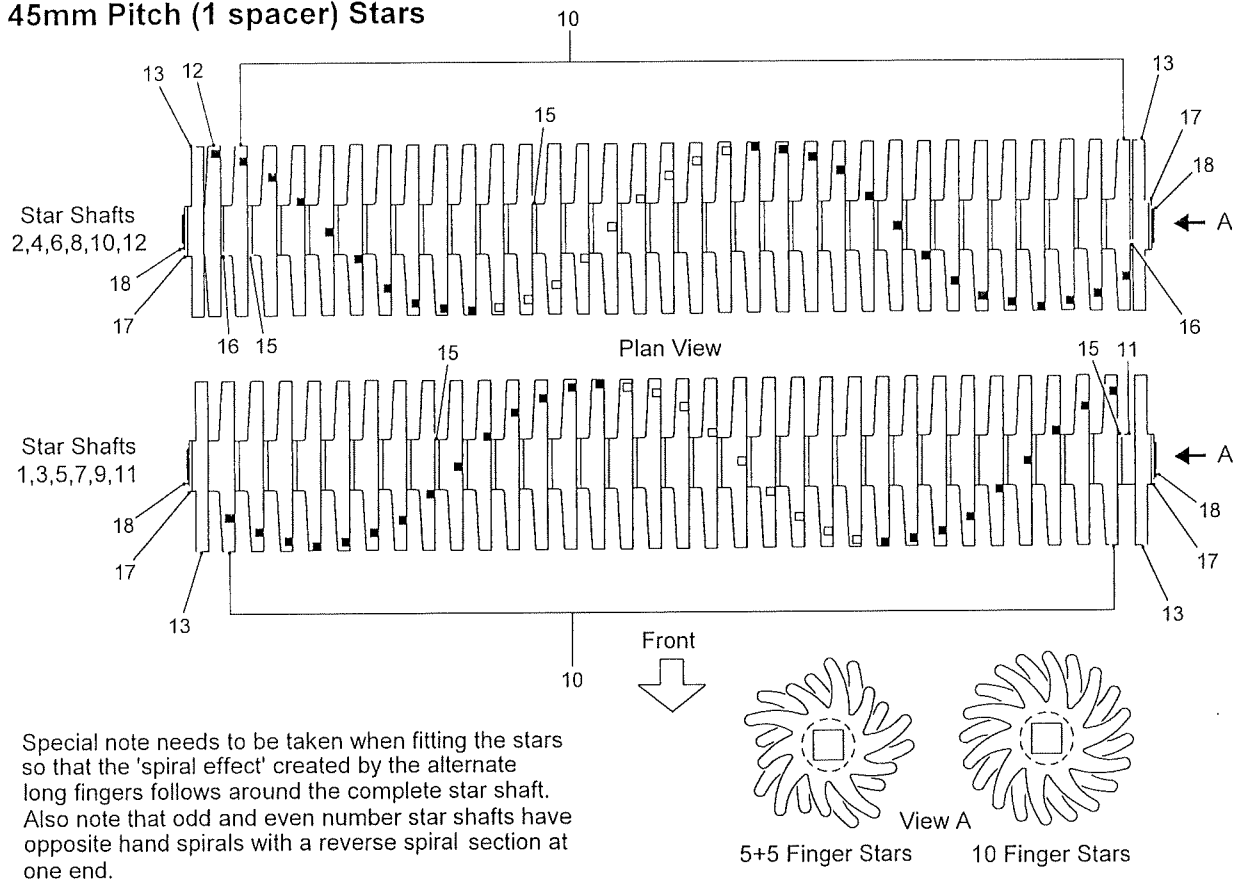


40mm Pitch (0 spacer) Stars

Star Assemblies



45mm Pitch (1 spacer) Stars

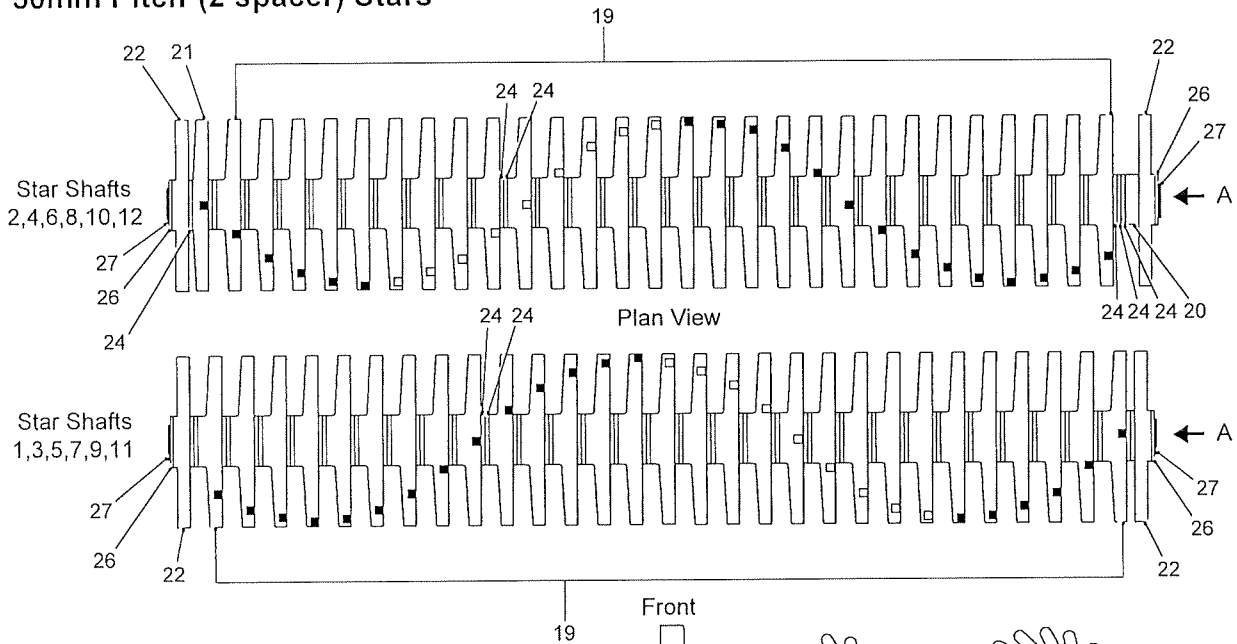


3.7a

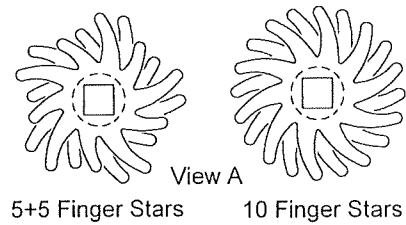
MEGASTAR GEN-2 SPARE PARTS

Star Assemblies

50mm Pitch (2 spacer) Stars

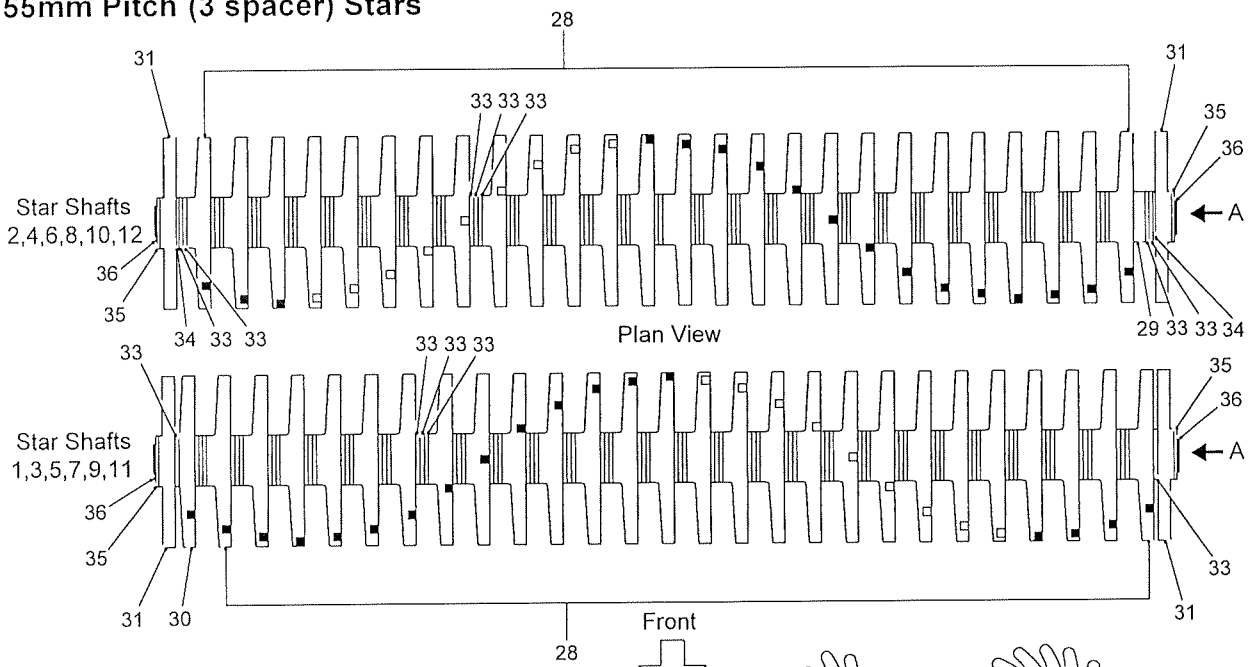


Special note needs to be taken when fitting the stars so that the 'spiral effect' created by the alternate long fingers follows around the complete star shaft. Also note that odd and even number star shafts have opposite hand spirals with a reverse spiral section at one end.

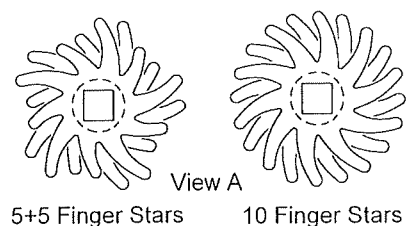


MG-SP04

55mm Pitch (3 spacer) Stars



Special note needs to be taken when fitting the stars so that the 'spiral effect' created by the alternate long fingers follows around the complete star shaft. Also note that odd and even number star shafts have opposite hand spirals with a reverse spiral section at one end.



Star Assemblies

Item	Part No.	Description	Qty.	Remarks
		40mm Pitch (0 spacer) Star Assemblies Consist Of:		
1	RPC700.308283	5 + 5 Finger Star (40mm wide)	432	
	RPC700.308282	10 Finger Star (40mm wide)	432	
2	RPC700.303217	20mm Spacer	6	
3	RPC700.308284	5 + 5 Finger Star (20mm wide)	6	
	RPC700.308285	10 Finger Star (20mm wide)	6	
4	RPA610.308556	Steel End Disc	24	
5	RPC700.305183	Spacer	12	
6				
7				
8	RPF280.417025	Ø70 Retaining Washer	24	
9	RPF200.040250	Ø40 External Circlip	24	
		<hr/>		
		45mm Pitch (1 spacer) Star Assemblies Consist Of:		
10	RPC700.308283	5 + 5 Finger Star (40mm wide)	384	
	RPC700.308282	10 Finger Star (40mm wide)	384	
11	RPC700.303217	20mm Spacer	6	
12	RPC700.308284	5 + 5 Finger Star (20mm wide)	6	
	RPC700.308285	10 Finger Star (20mm wide)	6	
13	RPA610.308556	Steel End Disc	24	
14				
15	RPC700.303209	5mm Spacer	378	
16	RPM196.308288	2.5mm Washer	12	
17	RPF280.417025	Ø70 Retaining Washer	24	
18	RPF200.040250	Ø40 External Circlip	24	
		<hr/>		
		50mm Pitch (2 spacer) Star Assemblies Consist Of:		
19	RPC700.308283	5 + 5 Finger Star (40mm wide)	342	
	RPC700.308282	10 Finger Star (40mm wide)	342	
20	RPC700.303217	20mm Spacer	6	
21	RPC700.308284	5 + 5 Finger Star (20mm wide)	6	
	RPC700.308285	10 Finger Star (20mm wide)	6	
22	RPA610.308556	Steel End Disc	24	
23				
24	RPC700.303209	5mm Spacer	720	
25				
26	RPF280.417025	Ø70 Retaining Washer	24	
27	RPF200.040250	Ø40 External Circlip	24	
		<hr/>		
		55mm Pitch (3 spacer) Star Assemblies Consist Of:		
28	RPC700.308283	5 + 5 Finger Star (40mm wide)	312	
	RPC700.308282	10 Finger Star (40mm wide)	312	
29	RPC700.303217	20mm Spacer	6	
30	RPC700.308284	5 + 5 Finger Star (20mm wide)	6	
	RPC700.308285	10 Finger Star (20mm wide)	6	
31	RPA610.308556	Steel End Disc	24	
32				
33	RPC700.303209	5mm Spacer	954	

3.7c

MEGASTAR GEN-2 SPARE PARTS

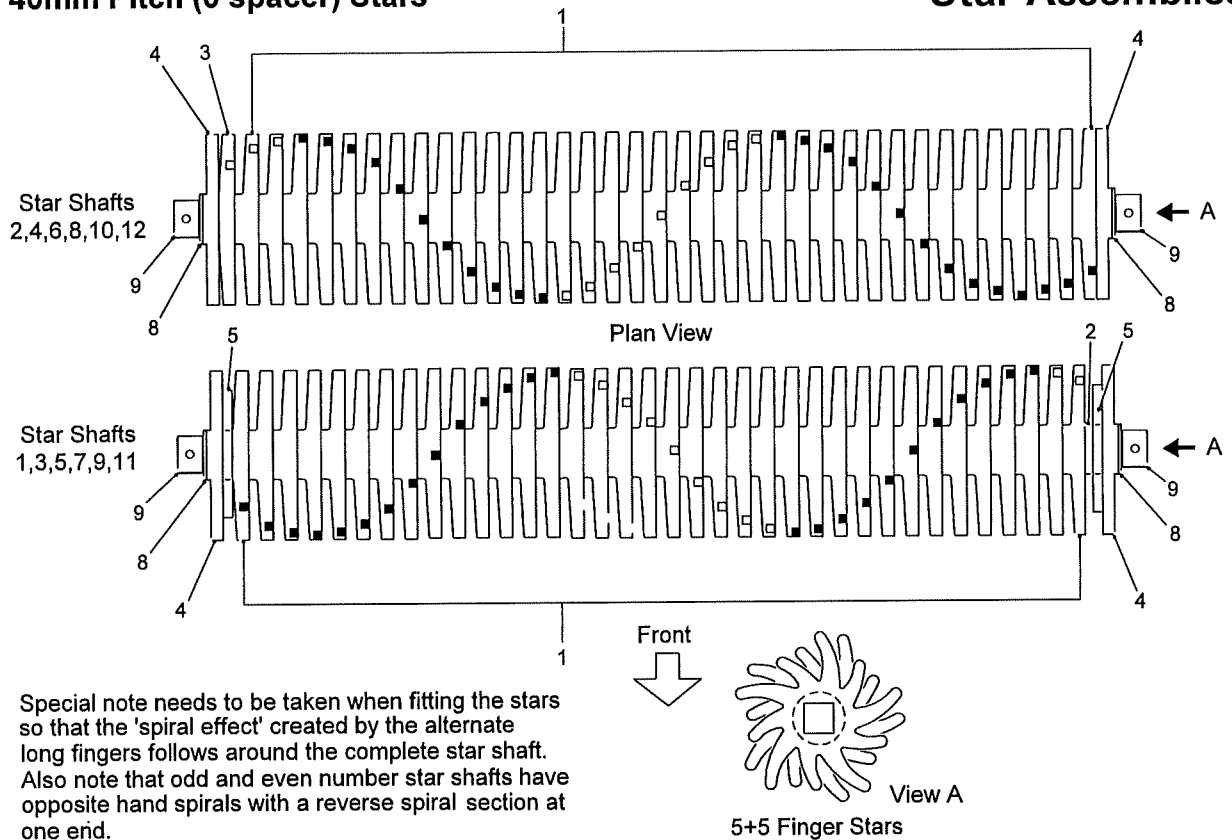
Star Assemblies

Item	Part No.	Description	Qty.	Remarks
34	RPM196.308288	2.5mm Washer	12	
35	RPF280.417025	Ø70 Retaining Washer	24	
36	RPF200.040250	Ø40 External Circlip	24	

Machines from 2017

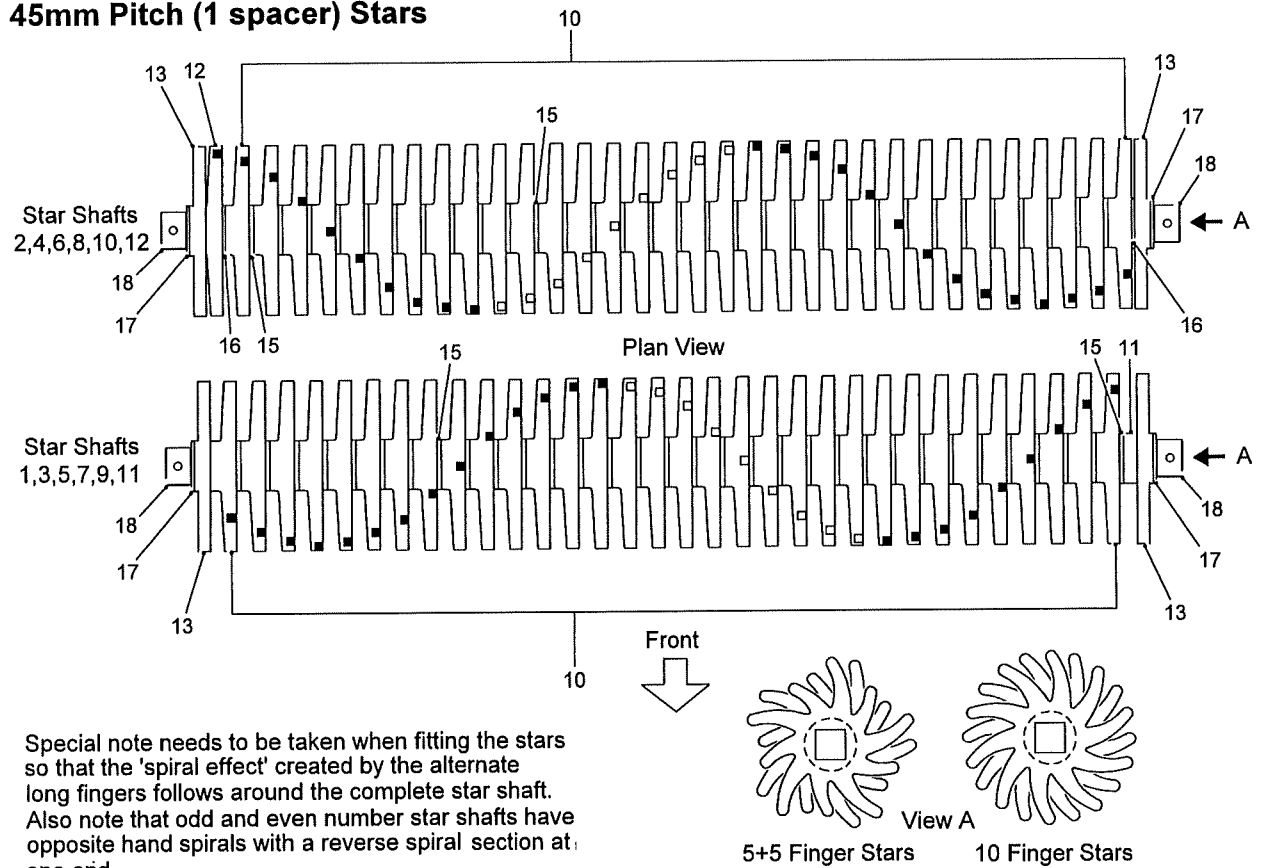
40mm Pitch (0 spacer) Stars

Star Assemblies



MG-SP063

45mm Pitch (1 spacer) Stars



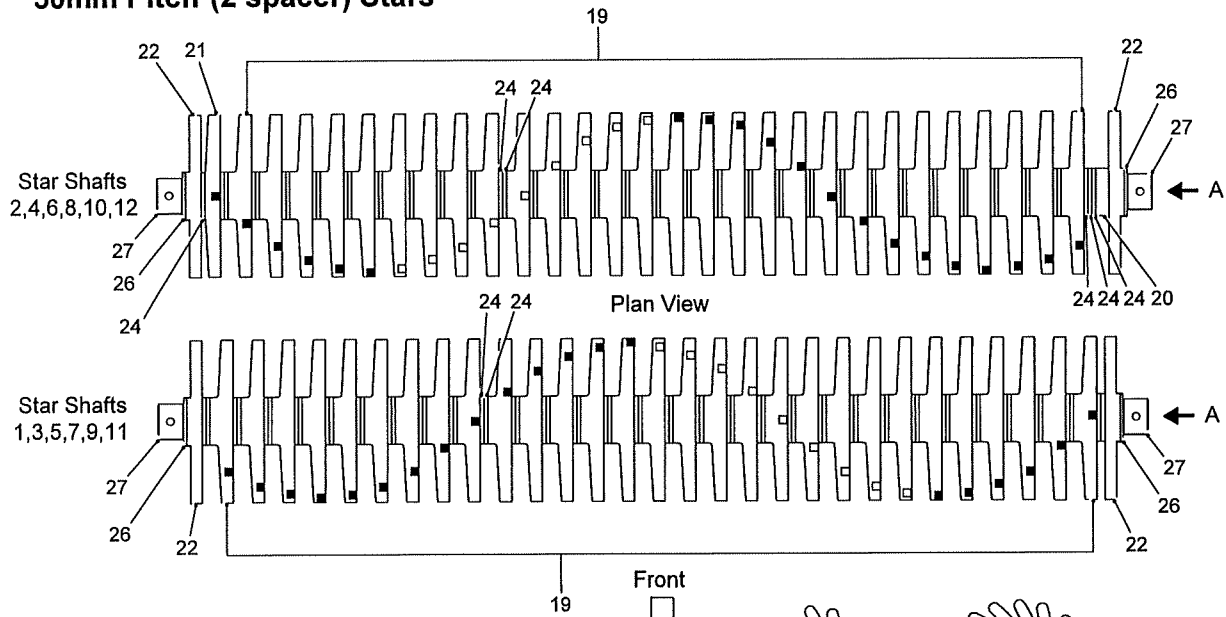
3.7a

MEGASTAR GEN-2 SPARE PARTS

Machines from 2017

Star Assemblies

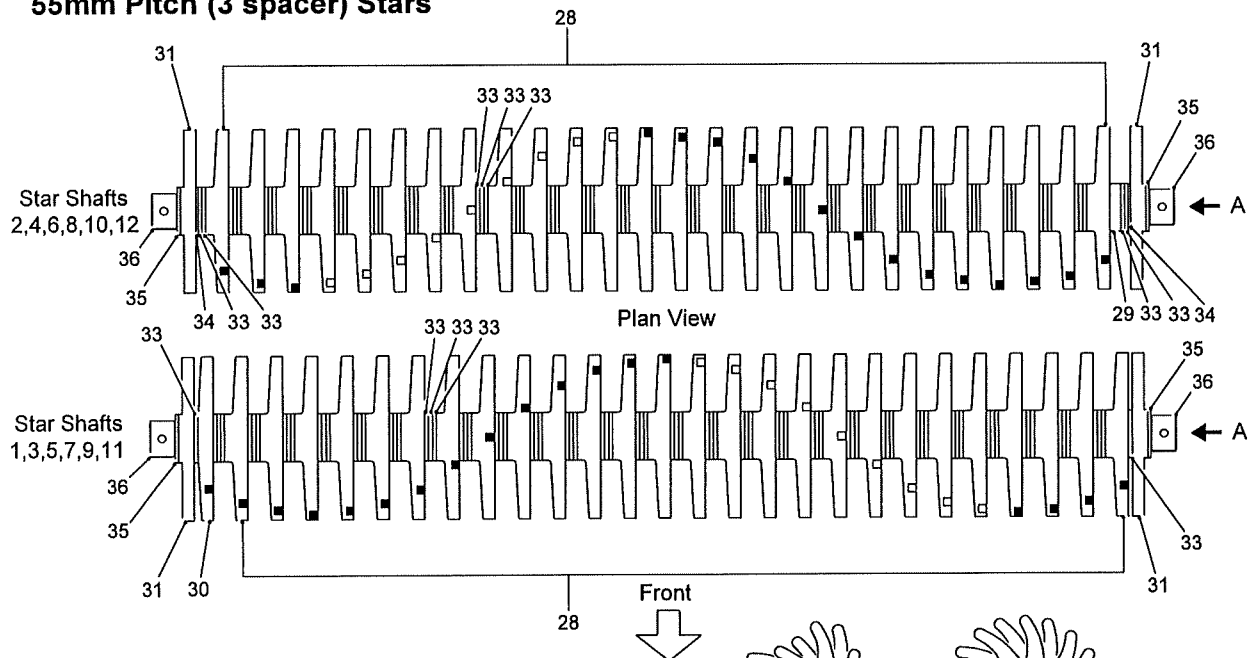
50mm Pitch (2 spacer) Stars



Special note needs to be taken when fitting the stars so that the 'spiral effect' created by the alternate long fingers follows around the complete star shaft. Also note that odd and even number star shafts have opposite hand spirals with a reverse spiral section at one end.

MG-SP004

55mm Pitch (3 spacer) Stars



Special note needs to be taken when fitting the stars so that the 'spiral effect' created by the alternate long fingers follows around the complete star shaft. Also note that odd and even number star shafts have opposite hand spirals with a reverse spiral section at one end.

MEGASTAR GEN-2 SPARE PARTS

3.7b

Machines from 2017

Star Assemblies

Item	Part No.	Description	Qty.	Remarks
1	58258	40mm Pitch (0 spacer) Star Assemblies Consist Of: 5 + 5 Finger Star (40mm wide)	432	
2	RPC700.303217	20mm Spacer	6	
3	58258A	5 + 5 Finger Star (20mm wide)	6	
4	RPA610.308556	Steel End Disc	24	
5	RPC700.305183	Spacer	12	
6				
7				
8	RPF280.417025	Ø70 Retaining Washer	24	
9	58260	Stop Collar	24	
<hr/>				
10	RPC700.308283	45mm Pitch (1 spacer) Star Assemblies Consist Of: 5 + 5 Finger Star (40mm wide)	384	
	RPC700.308282	10 Finger Star (40mm wide)	384	
11	RPC700.303217	20mm Spacer	6	
12	RPC700.308284	5 + 5 Finger Star (20mm wide)	6	
	RPC700.308285	10 Finger Star (20mm wide)	6	
13	RPA610.308556	Steel End Disc	24	
14				
15	RPC700.303209	5mm Spacer	378	
16	RPM196.308288	2.5mm Washer	12	
17	RPF280.417025	Ø70 Retaining Washer	24	
18	58260	Stop Collar	24	
<hr/>				
19	RPC700.308283	50mm Pitch (2 spacer) Star Assemblies Consist Of: 5 + 5 Finger Star (40mm wide)	342	
	RPC700.308282	10 Finger Star (40mm wide)	342	
20	RPC700.303217	20mm Spacer	6	
21	RPC700.308284	5 + 5 Finger Star (20mm wide)	6	
	RPC700.308285	10 Finger Star (20mm wide)	6	
22	RPA610.308556	Steel End Disc	24	
23				
24	RPC700.303209	5mm Spacer	720	
25				
26	RPF280.417025	Ø70 Retaining Washer	24	
27	58260	Stop Collar	24	
<hr/>				
28	RPC700.308283	55mm Pitch (3 spacer) Star Assemblies Consist Of: 5 + 5 Finger Star (40mm wide)	312	
	RPC700.308282	10 Finger Star (40mm wide)	312	
29	RPC700.303217	20mm Spacer	6	
30	RPC700.308284	5 + 5 Finger Star (20mm wide)	6	
	RPC700.308285	10 Finger Star (20mm wide)	6	
31	RPA610.308556	Steel End Disc	24	
32				
33	RPC700.303209	5mm Spacer	954	

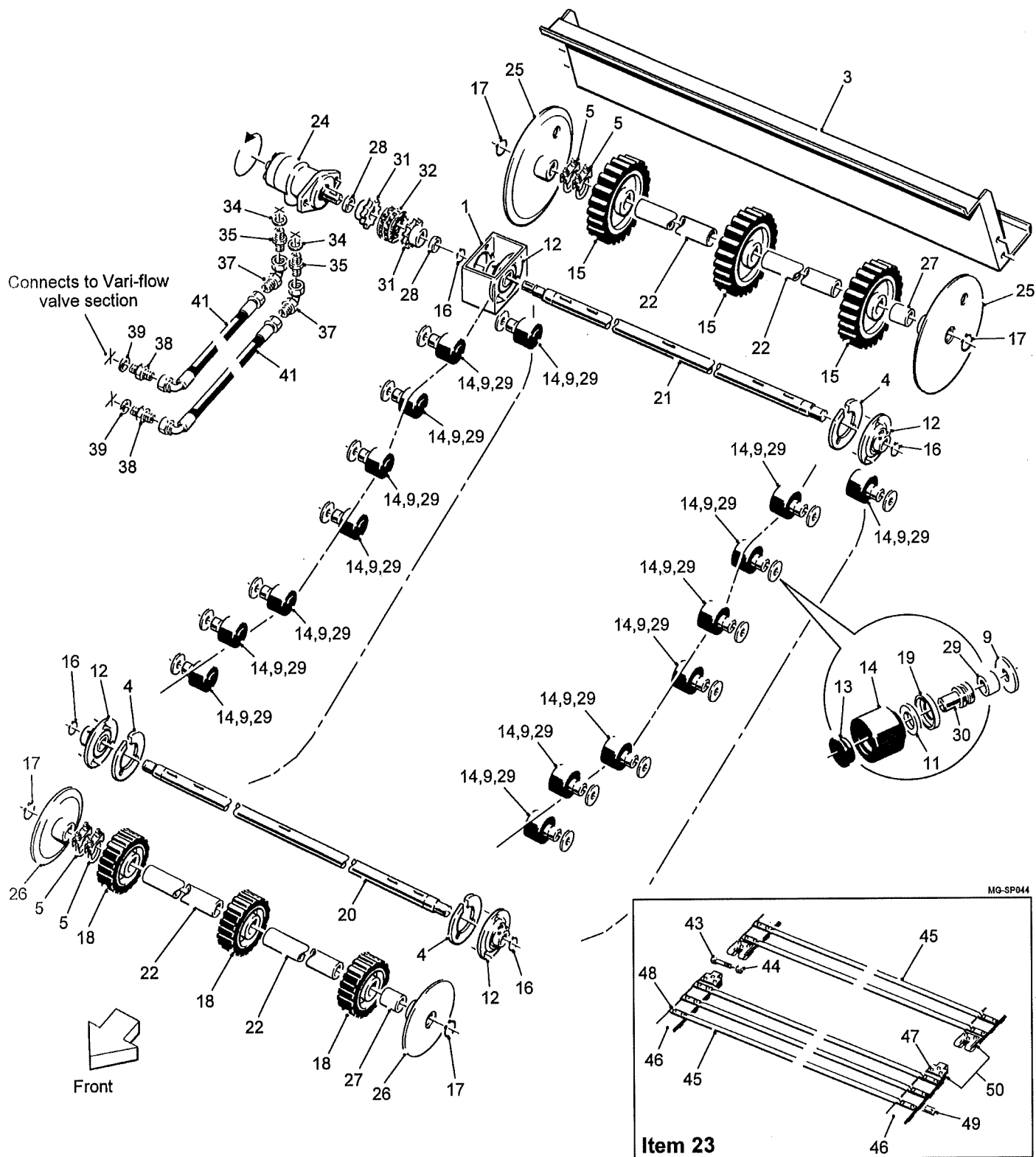
3.7c**MEGASTAR GEN-2 SPARE PARTS**

Machines from 2017

Star Assemblies

Item	Part No.	Description	Qty.	Remarks
34	RPM196.308288	2.5mm Washer	12	
35	RPF280.417025	Ø70 Retaining Washer	48	
36	58260	Stop Collar	24	

Vari-Flow Assembly Assy No 58093



3.8a

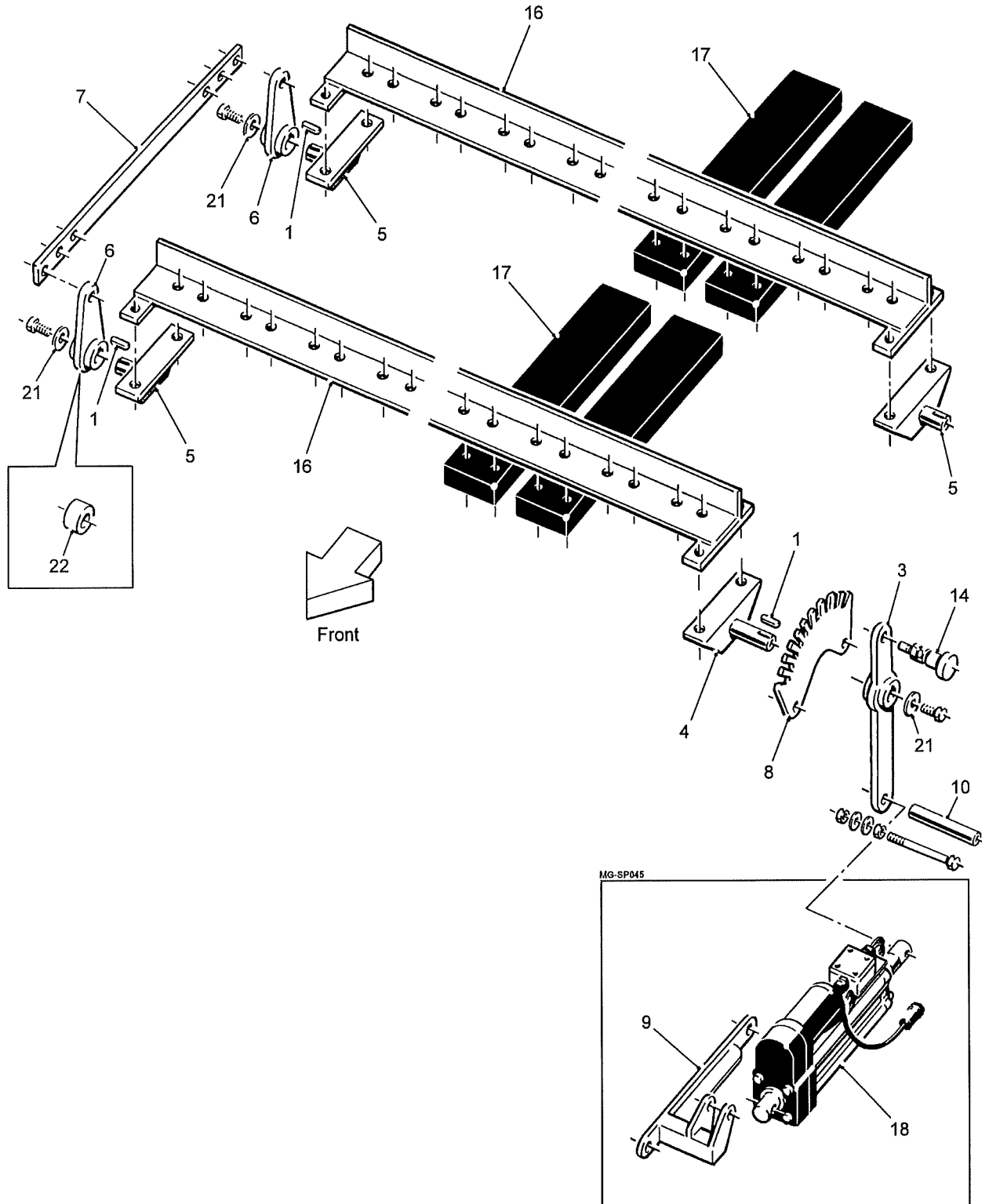
MEGASTAR GEN-2 SPARE PARTS

Vari-Flow Assembly

Assy No 58093

Item	Part No.	Description	Qty.	Remarks
1	57260	Motor Mounting	1	
2				
3	58080	Stone Deflector	1	
4	58096	Bearing Plate	3	
5	58122	Ø35 Clamp Complete	4	
6				
7				
8				
9	SS070017/005	Steel Spacer	16	
10				
11	RPGM070.00446	Felt Seal	16	
12	RPB210.022062	Bearing	4	
13	RPC620.303070	Cap	16	
14	RPC700.300148	Support Roller c/w Bearings	16	
15	RPC700.302947	Drive Roller	3	
16	RPF200.030200	Ø30 External Circlip	4	
17	RPF200.035200	Ø35 External Circlip	4	
18	RPGM076.00704	Front Roller	3	
19	RPGM089.00565	Roller Shield	16	
20	RPGMRP037.00104	Shaft	1	
21	RPGMRP037.00105	Shaft	1	
22	RPGMRP057.00266	Spacer Tube (long)	4	
23	RPGMRP300.01738	80mm Pitch Web Assembly	1	(see list at end)
24	44563	Hydraulic Motor	1	Part was RPH850.302181
25	RPM124.303188	Rear Flange	2	
26	RPM124.303321	Front Flange	2	
27	RPM176.302951	Spacer Tube (short)	2	
28	RPM176.303034	5mm Spacer	2	
29	RPM176.306318	20mm Spacer	16	
30	RPM180.303071	Pivot Bush	16	
31	RPM182.303035	12T 3/4"Pitch Sprocket	2	
32	RPT738.600012	3/4"Pitch Duplex Chain	1	
33				
		Hydraulic Components Consist Of:		
34	11124	1/2"BSP Dowty Seal	2	
35	12315	1/2"BSP M M Adaptor	2	
36				
37	26086	1/2"BSP M F Swept 90°Adaptor	2	
38	27459	M18x1/2"BSP M M Adaptor	2	
39	27461	M18 Dowty Seal	2	
40				
41	51552	1/2"Hose Assembly (3200mm)	2	Prior to MG-521 was 43207
42				
	RPGMRP300.01738	80mm Pitch Web Assembly Consists Of:		
43	22016010/080	M10x80 CSK Bolt	2	
44	22041010	M10 Nyloc Nut	2	
45	RPGMRP032.00311	Web Rod	72	
46	-	Web Belt	2	
47	RPF240.150300	Connector Rivet	12	
48	RPF240.160250	Web Rod Rivet	288	
49	RPGM019.00069	Back Plate	144	
50	RPM419.264032	Connector Plates	2 pair	

Clod Mat Assembly
Assy No 58118

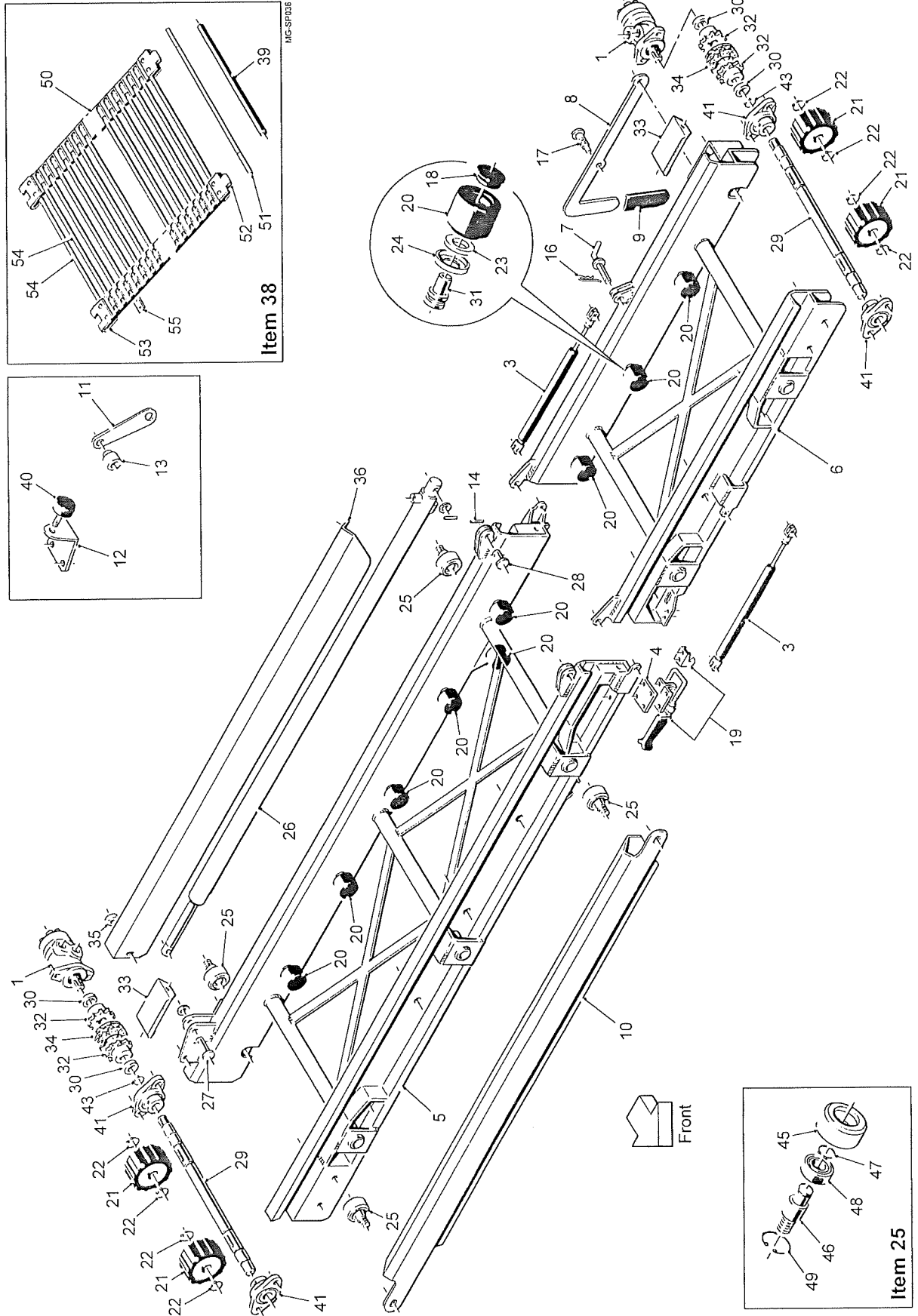


3.9a**MEGASTAR GEN-2 SPARE PARTS****Clod Mat Assembly**

Assy No 58118

Item	Part No.	Description	Qty.	Remarks
1	22062008/020	Key (8x7x20)	3	
2				
3	58123	Adjuster Arm	1	
4	58124	Pivot (long)	1	
5	58125	Pivot (short)	3	
6	58126	Link Arm	2	
7	58127	Link	1	
8	58128	Selector Plate	1	Manual control only
9	58129	Actuator Bracket	1	Electric control only
10	58177	Handle Tube	1	
11				
12				
13				
14	HERF7012	Indexing Plunger	1	Manual control only
15				
16	RPA610.303042	Clod Bracket	2	
17	RPC700.301088	Clod Mat Rubber	22	
18	RPE202.305394	Linear Actuator c/w Switch & Harness	1	Electric control only
19				
20				
21	SS040011/003	Steel Spacer	3	
22	SS040026/022	Steel Spacer	1	Used with single clod mat

Cross Conveyor Assembly
Assy No 58088



3.10a

MEGASTAR GEN-2 SPARE PARTS

Cross Conveyor Assembly

Assy No 58088

Item	Part No.	Description	Qty.	Remarks
1	11201	Hydraulic Motor	2	
2				
3	57081	Gas Strut	2	
4	57485	Packer Plate	2	
5	57177	Conveyor Main Section	1	
6	57178	Conveyor End Section	1	
7	57284	Transport Pin	1	
8	57445	Handle	1	
9	57446	Handle Grip	1	
10	58028	Front Panel	1	
11	58047	Transport Strap	1	
12	58102	Bump Stop Bracket	1	
13	58103	Strap Spigot	1	
14	22067006/030	Ø6x30 Roll Pin	2	
15				
16	H105A	'R'Clip	1	
17	HERF7012	Indexing Plunger	1	
18	RPC620.303070	Cap	18	
19	58115	Latch Complete	2	
20	RPC700.300148	Plain Roller c/w Bearings	18	
21	RPC700.301543	Drive Roller	4	
22	RPF200.035250	Ø35 External Circlip	8	
23	RPGM070.00446	Felt Seal	18	
24	RPGM089.00565	Roller Shield	18	
25	RPGMRP200.16854	Roller Assembly	4	(see list at end)
26	RPH871.303039	Hydraulic Ram	1	
27	RPM146.303066	Ram Pin	1	
28	RPM146.304845	Conveyor Pivot Pin	2	
29	RPM162.304844	Drive Shaft	2	
30	RPM176.303034	Spacer	4	
31	RPM180.303071	Pivot Bush	18	
32	RPM182.303035	12T 3/4"Pitch Sprocket	2	
33	RPM206.304847	Cover	2	
34	RPT738.600012	3/4"Pitch Drive Chain	2	
35	RPM176.303064	Spacer (12mm)	1	
36	RPM224.304848	Ram Shield	1	
37				
38	RPW300.303144A	20mm Pitch Web Assembly	1	(see list at end)
	RPW300.303144	28mm Pitch Web Assembly	1	(see list at end)
	RPW300.303145	40mm Pitch Web Assembly	1	(see list at end)
39	RA580.303229	28mm Pitch Web Bar Cover Kit	1	Optional
40	DW901922	Rubber Bump Stop	1	
41	SFT30	Bearing	4	
42				
43	W0166	Ø30 External Circlip	2	
44				
	RPGMRP200.16854	Roller Assembly Consists Of:		
45	RPM156.303068	Plain Roller	1	
46	RPM180.303067	Spindle	1	
47	RPF200.020175	Ø20 External Circlip	1	
48	63042RS	Bearing	1	
49	W0167	Ø52 Internal Circlip	1	

MEGASTAR GEN-2 SPARE PARTS

3.10b

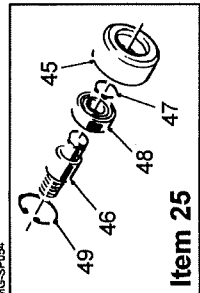
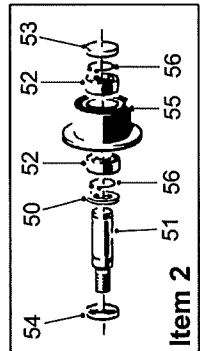
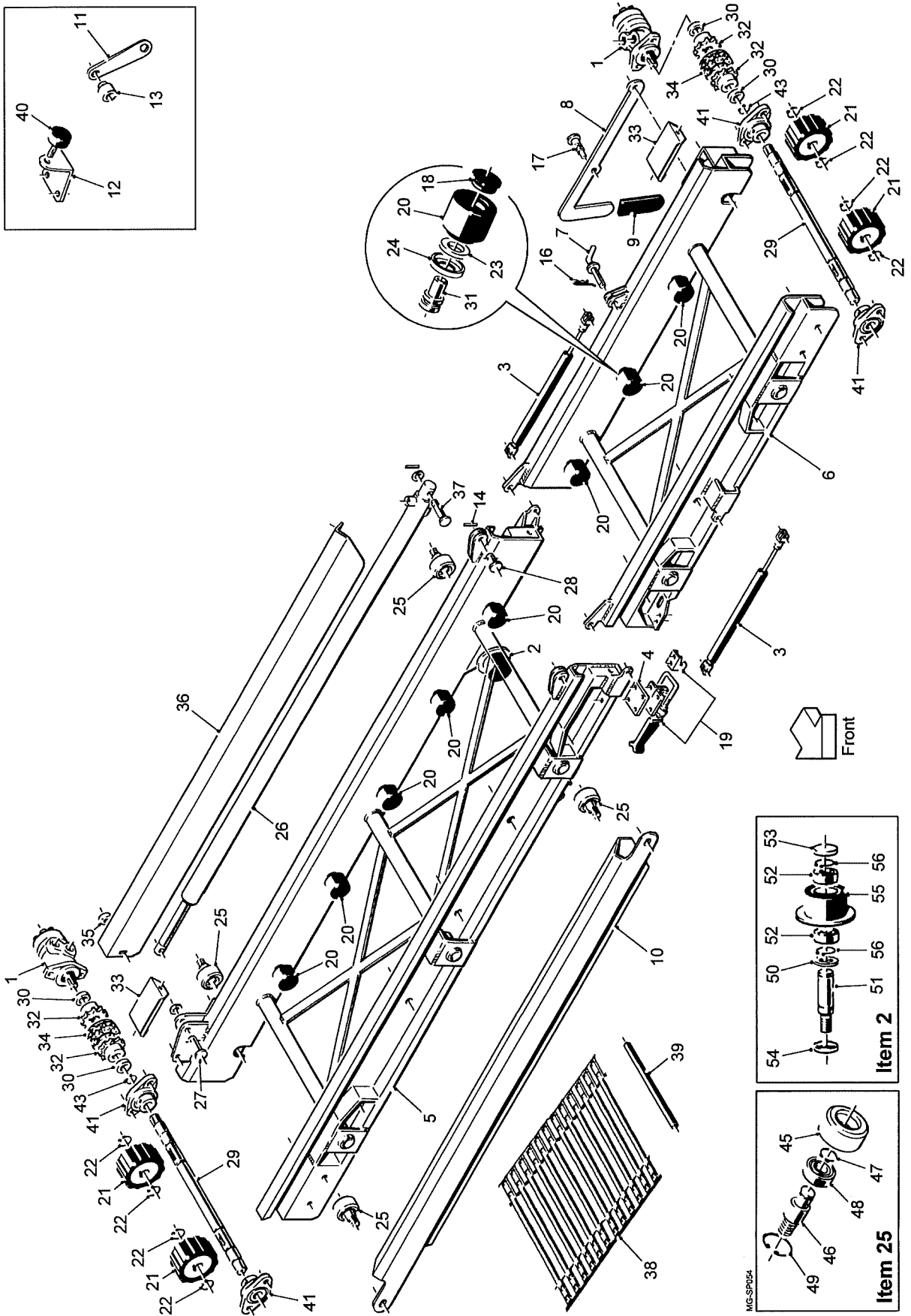
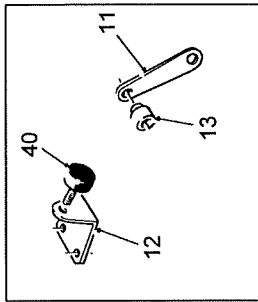
Cross Conveyor Assembly

Assy No 58088

Item	Part No.	Description	Qty.	Remarks
50	RPW300.303144A	20mm Pitch Web Assy Consists Of:		
	-	Web Belt	2	
51	RPW300.303144A4	Joining Rod	1	
52	RPW300.303144A5	Male Connector	2	
53	RPW300.303144A6	Female Connector	2	
54	RPW300.303144A1	Web Rod	371	
55	RPW300.303144A3	Clamp Plate	742	
56	RPW300.303144A2	Web Bar Rivet	1484	
57	RPW300.303144A7	Connector Rivet	16	
58				
	RPW300.303144	28mm Pitch Web Assy Consists Of:		
50	-	Web Belt	2	
51	RPM222.101008	Joining Rod	1	
52	RPM419.252824	'J' Clip Connectors	2 pairs	
53				
54	RPM222.304121	Web Rod	265	
55	RPGM019.00155	Clamp Plate	530	
56	RPF240.150220	Web Bar Rivet	1060	
57	RPF240.150250	Connector Rivet	16	
58				
	RPW300.303145	40mm Pitch Web Assy Consists Of:		
50	-	Web Belt	2	
51	RPM222.101008	Joining Rod	1	
52	RPM419.254024	'J' Clip Connectors	2 pairs	
53				
54	RPM222.304121	Web Rod	-	
55	RPGM019.00155	Clamp Plate	-	
56	RPF240.150220	Web Bar Rivet	-	
57	RPF240.150250	Connector Rivet	16	
58				



Cross Conveyor Assembly Assy No 58088

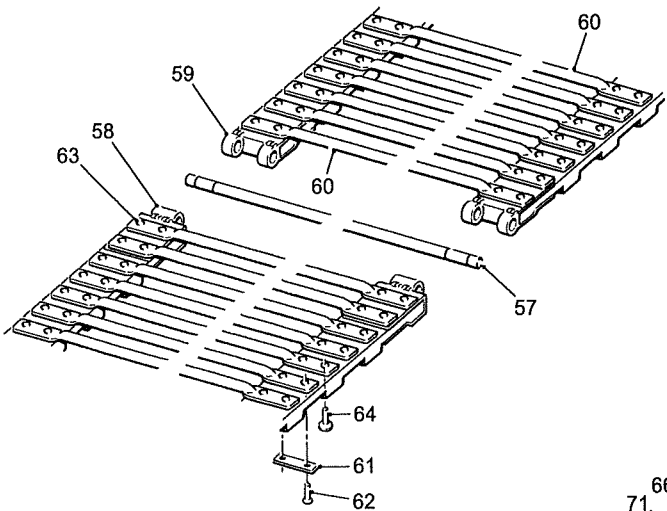


MG-SPR054

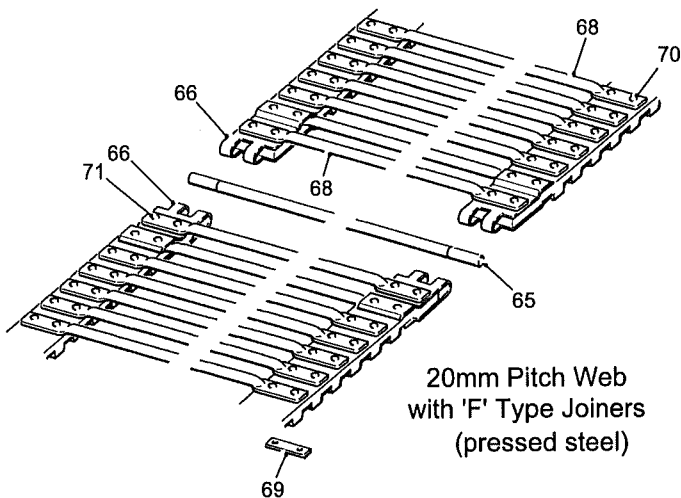
3.10a

MEGASTAR GEN-2 SPARE PARTS

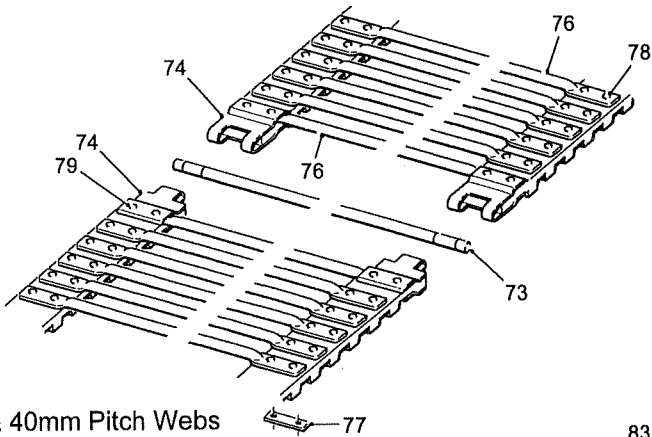
Cross Conveyor Assembly Assy No 58088



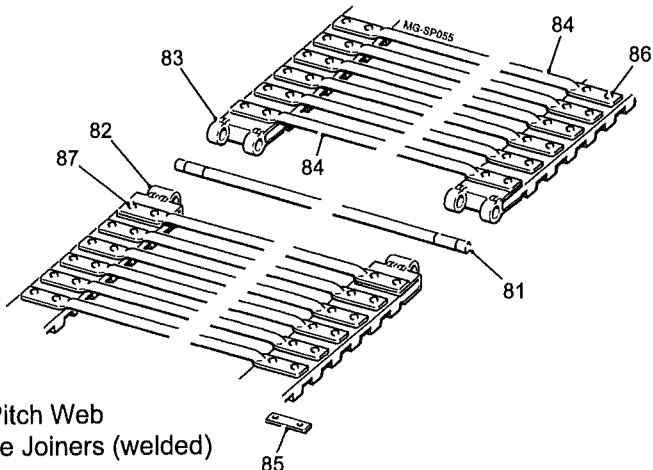
20mm Pitch Web
with Male/Female Joiners (welded)



20mm Pitch Web
with 'F' Type Joiners
(pressed steel)



28mm & 40mm Pitch Webs
with Male/Female Joiners
(pressed steel)



32mm Pitch Web
with Male/Female Joiners (welded)

MEGASTAR GEN-2 SPARE PARTS

3.10b

Cross Conveyor Assembly

Assy No 58088

Item	Part No.	Description	Qty.	Remarks	
1	11201	Hydraulic Motor	2	(see list at end)	
2	12506	Roller Assembly	2		
3	57081	Gas Strut	2		
4	57485	Packer Plate	2		
5	57177	Conveyor Main Section	1		
6	57178	Conveyor End Section	1		
7	57284	Transport Pin	1		
8	57445	Handle	1		
9	57446	Handle Grip	1		
10	58028	Front Panel	1		
11	58047	Transport Strap	1		
12	58102	Bump Stop Bracket	1		
13	58103	Strap Spigot	1		
14	22067006/030	Ø6x30 Roll Pin	2		
15					
16	H105A	'R'Clip	1	(see list at end)	
17	HERF7012	Indexing Plunger	1		
18	RPC620.303070	Cap	18		
19	58115	Latch Complete	2		
20	RPC700.300148	Plain Roller c/w Bearings	16		
21	RPC700.301543	Drive Roller	4		
22	RPF200.035250	Ø35 External Circlip	8		
23	RPGM070.00446	Felt Seal	18		
24	RPGM089.00565	Roller Shield	18		
25	RPGMRP200.16854	Roller Assembly	4		
26	RPH871.303039	Hydraulic Ram	1		
27	RPM146.303066	Ram Pin	1		
28	RPM146.304845	Conveyor Pivot Pin	2		
29	RPM162.304844	Drive Shaft	2		
30	RPM176.303034	Spacer	4		
31	RPM180.303071	Pivot Bush	18		
32	RPM182.303035	12T 3/4"Pitch Sprocket	2		
33	RPM206.304847	Cover	2		
34	RPT738.600012	3/4"Pitch Duplex Drive Chain	2		
35	RPM176.303064	Spacer (12mm)	1		
36	RPM224.304848	Ram Shield	1		
37	RPM146.303065	Pin	1		
38	RPW300.303144A	20mm Pitch Web Assembly	1		
	RPW300.303144	28mm Pitch Web Assembly	1		
	RPW300.303144B	32mm Pitch Web Assembly	1		
	RPW300.303145	40mm Pitch Web Assembly	1		
39	RA580.303229	28mm Pitch Web Bar Cover Kit	1		Optional
40	DW901922	Rubber Bump Stop	1		
41	SFT30	Bearing	4		
42					
43	W0166	Ø30 External Circlip	2		
44					
	RPGMRP200.16854	Roller Assembly Consists Of:			
45	RPM156.303068	Plain Roller	1		
46	RPM180.303067	Spindle	1		
47	RPF200.020175	Ø20 External Circlip	1		
48	63042RS	Bearing	1		
49	W0167	Ø52 Internal Circlip	1		

3.10c

MEGASTAR GEN-2 SPARE PARTS

Cross Conveyor Assembly

Assy No 58088

Item	Part No.	Description	Qty.	Remarks
	12506	Roller Assembly Consists Of:		
50	0000300504	Felt Seal	1	
51	11265	Roller Spindle	1	
52	6005RS	Bearing	2	
53	PH407	Seal	1	
54	PH408	Seal	1	
55	PH51AR	Flanged Roller	1	
56	PS843	Circlip	2	
	RPW300.303144A	20mm Pitch Web with Male/Female Joiners (welded) Consists Of:		
57	RPW300.303144A4	Ø11 Joining Rod	1	
58	RPW300.303144A5	20mm Pitch Male Joiner (4 hole)	2	
59	RPW300.303144A6	20mm Pitch Female Joiner (4 hole)	2	
60	RPW300.303144A1	Ø10 Web Rod	371	
61	RPW300.303144A3	Clamp Plate	366	Fitted to alternate rods
62	RPW300.303144A2	Ø5 Rivet (small head)	732	Fitted to alternate rods
63	RPW300.303144A7	Ø5x26 Rivet	16	
64	RPW300.303144A10	Ø5x19 Rivet (large head)	736	Fitted to alternate rods
	RPW300.303144A	20mm Pitch Web with 'F' Type Joiners (pressed steel) Consists Of:		
65	RPW300.303144A8	Ø10 Joining Rod	1	
66	RPW300.303144A9	20mm Pitch 'F' Type Joiner (4 hole)	4	
67				
68	RPM222.304121	Ø10 Web Rod	377	
69	RPGM019.00155	Clamp Plate	746	
70	RPF240.155200	Ø5x20 Rivet	1492	
71	RPW300.303144A7	Ø5x26 Rivet	16	
72				
	RPW300.303144B	28mm Pitch Web with Male/Female Joiners (pressed steel) Consists Of:		
73	RPM222.101008	Ø10 Joining Rod	1	
	RPW300.303144A4	Ø11 Joining Rod	1	
74	RPM419.252824	28mm Pitch M & F Joiners (2 hole)	2 pairs	
75				
76	RPM222.304121	Ø10 Web Rod	265	
77	RPGM019.00155	Clamp Plate	526	
78	RPF240.150220	Ø5x22 Rivet	1052	
79	RPF240.150250	Ø5x25 Rivet	8	
80				
	RPW300.303144B	32mm Pitch Web with Male/Female Joiners (welded) Consists Of:		
81	RPW300.303144A4	Ø11 Joining Rod	1	
82	RPW300.303144B5	32mm Pitch Male Joiner (2 hole)	2	
83	RPW300.303144B6	32mm Pitch Female Joiner (2 hole)	2	
84	RPW300.303144A1	Ø10 Web Rod	232	
85	RPW300.303144A3	Clamp Plate	460	
86	RPW300.303144A2	Ø5 Rivet	920	
87	RPW300.303144A7	Ø5x26 Rivet	8	
88				

MEGASTAR GEN-2 SPARE PARTS**3.10d****Cross Conveyor Assembly****Assy No 58088**

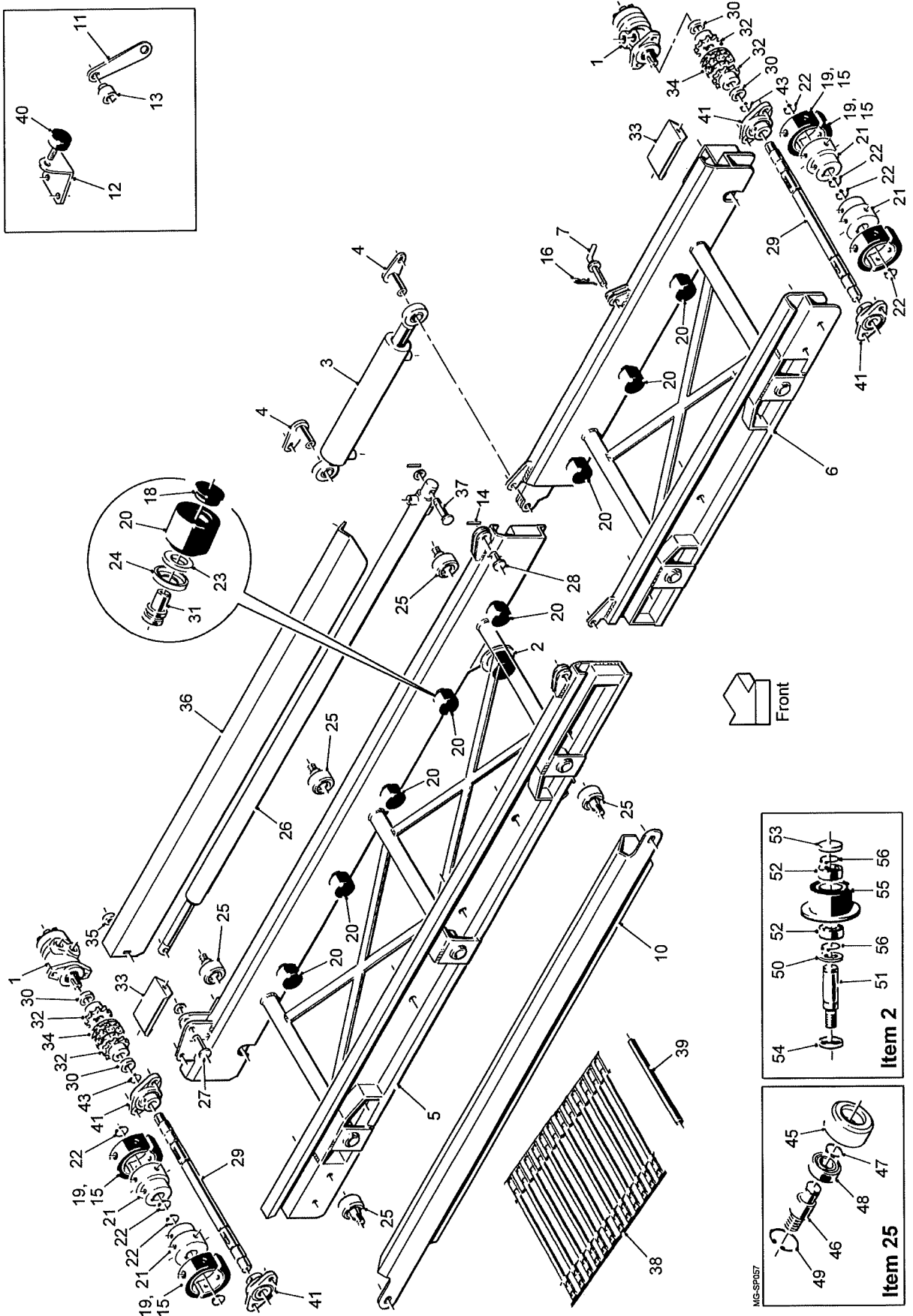
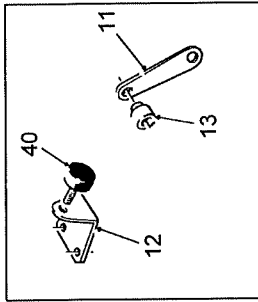
Item	Part No.	Description	Qty.	Remarks
	RPW300.303145	40mm Pitch Web with Male/Female Joiners (pressed steel) Consists Of:		
73	RPM222.101008	Ø10 Joining Rod	1	
	RPW300.303144A4	Ø11 Joining Rod	1	
74	RPM419.254024	40mm Pitch M & F Joiners (3 hole)	2 pairs	
75				
76	RPM222.304121	Ø10 Web Rod	186	
77	RPGM019.00155	Clamp Plate	368	
78	RPF240.150220	Ø5x22 Rivet	736	
79	RPF240.150250	Ø5x25 Rivet	12	
80				



Machines from 2014

Cross Conveyor Assembly

Assy No 58088



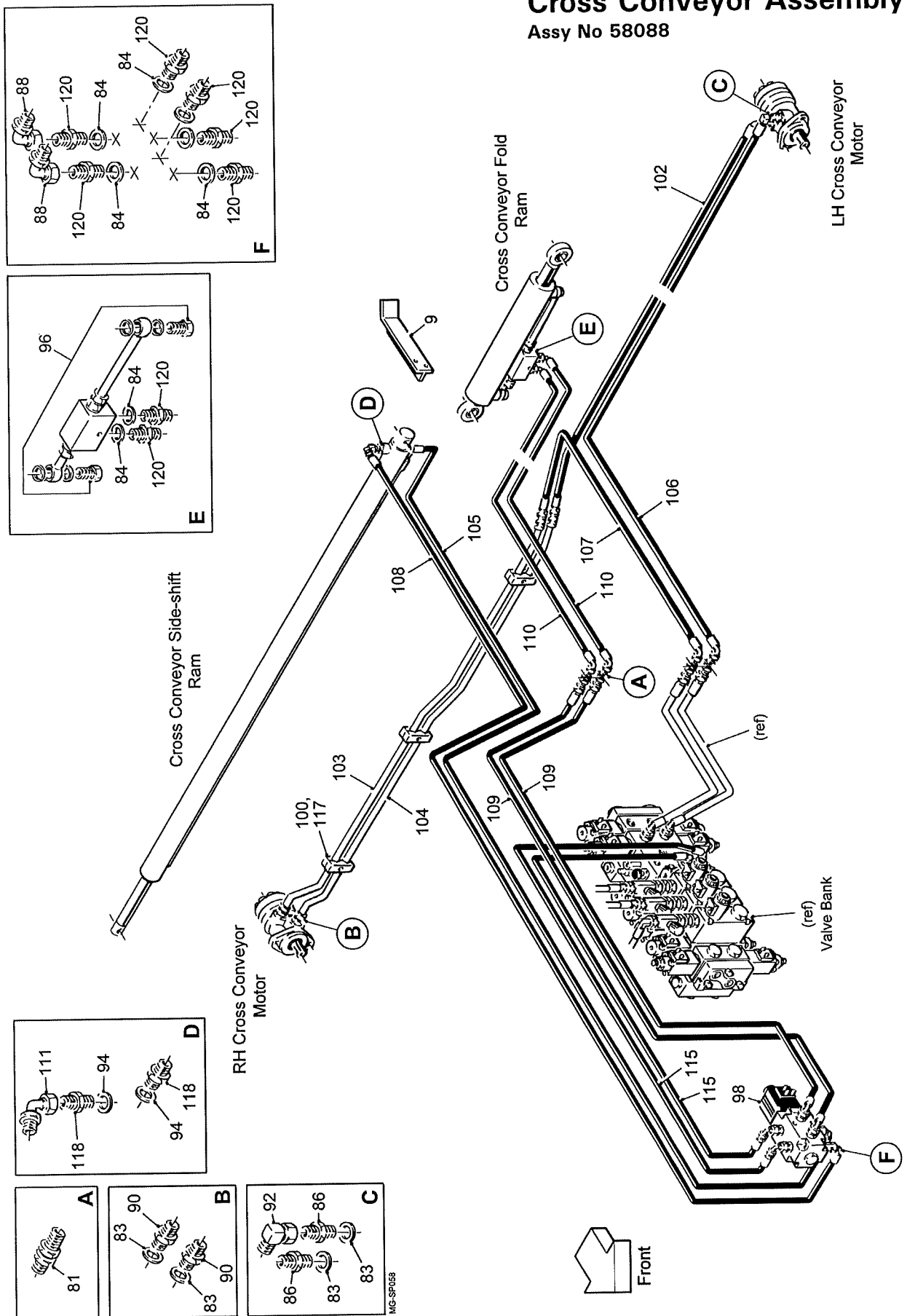
3.10a

MEGASTAR GEN-2 SPARE PARTS

Machines from 2014

Cross Conveyor Assembly

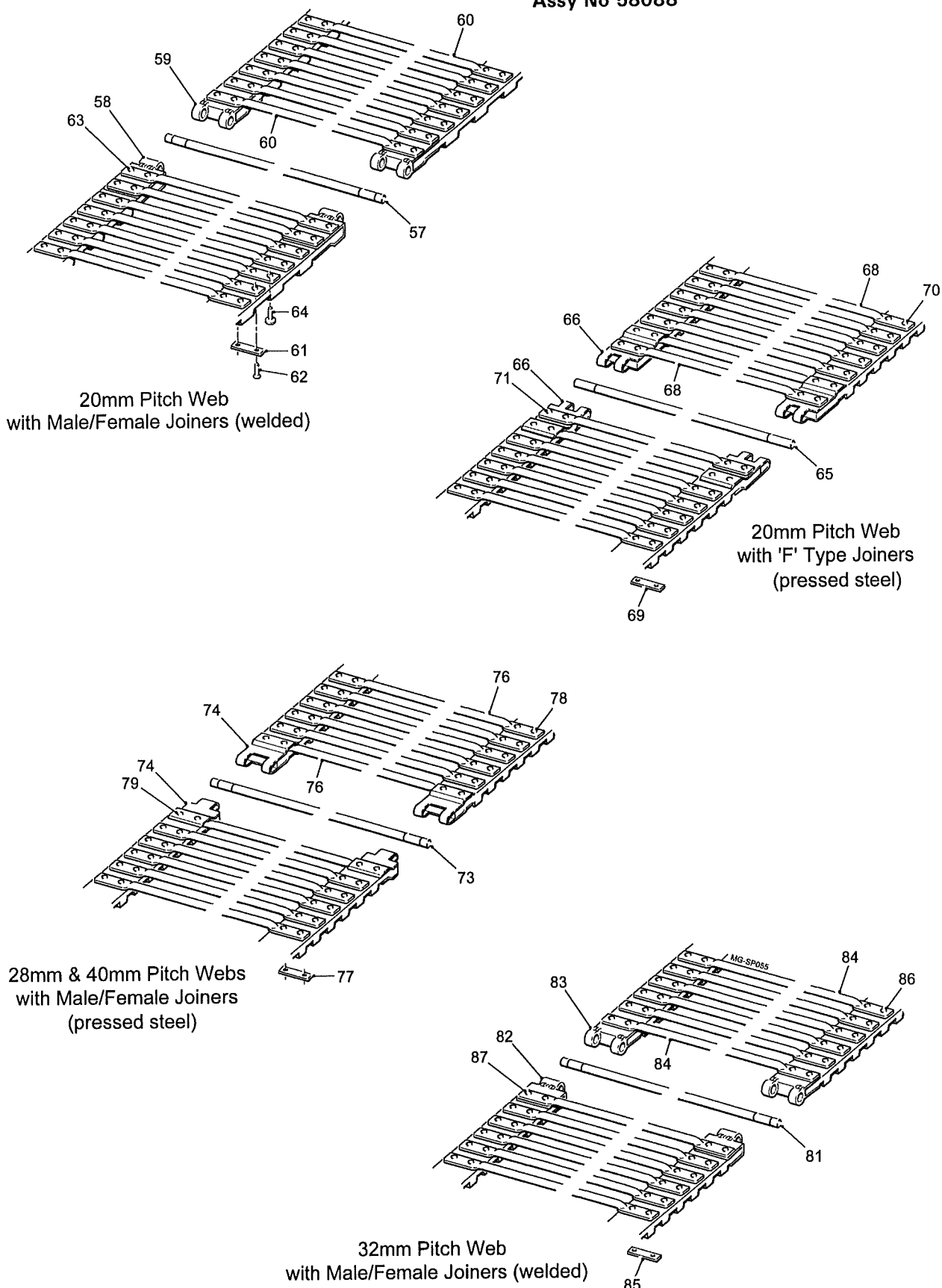
Assy No 58088



Machines from 2014

Cross Conveyor Assembly

Assy No 58088



3.10c

MEGASTAR GEN-2 SPARE PARTS

Machines from 2014

Cross Conveyor Assembly

Assy No 58088

Item	Part No.	Description	Qty.	Remarks
1	11201	Hydraulic Motor	2	
2	12506	Roller Assembly	2	(see list at end)
3	57029	Hydraulic Ram	1	
4	RPA610.300659	Ram Pin	2	
5	58253	Conveyor Main Section	1	
6	58254	Conveyor End Section	1	
7	57284	Transport Pin	1	
8				
9	58259	Hose Retainer	1	
10	58028	Front Panel	1	
11	58047	Transport Strap	1	
12	58102	Bump Stop Bracket	1	
13	58103	Strap Spigot	1	
14	22067006/030	Ø6x30 Roll Pin	2	
15	22015008/025	M8x25 Socket Head Cap Screw	24	
16	H105A	'R'Clip	1	
17				
18	RPC620.303070	Cap	18	
19	61035	Drive Shoe Half	8	
20	RPC700.300148	Plain Roller c/w Bearings	16	
21	61036	Drive Hub	4	
22	RPF200.035250	Ø35 External Circlip	8	
23	RPGM070.00446	Felt Seal	18	
24	RPGM089.00565	Roller Shield	18	
25	RPGMRP200.16854	Roller Assembly	5	(see list at end)
26	RPH871.303039	Hydraulic Ram	1	
27	RPM146.303066	Ram Pin	1	
28	RPM146.304845	Conveyor Pivot Pin	2	
29	RPM162.304844	Drive Shaft	2	
30	RPM176.303034	Spacer	4	
31	RPM180.303071	Pivot Bush	18	
32	RPM182.303035	12T 3/4"Pitch Sprocket	2	
33	RPM206.304847	Cover	2	
34	RPT738.600012	3/4"Pitch Duplex Drive Chain	2	
35	RPM176.303064	Spacer (12mm)	1	
36	RPM224.304848	Ram Shield	1	
37	RPM146.303065	Pin	1	
38	RPW300.303144A	20mm Pitch Web Assembly	1	(see list at end)
	RPW300.303144	28mm Pitch Web Assembly	1	(see list at end)
	RPW300.303144B	32mm Pitch Web Assembly	1	(see list at end)
	RPW300.303145	40mm Pitch Web Assembly	1	(see list at end)
39	RA580.303229	28mm Pitch Web Bar Cover Kit	1	Optional
40	DW901922	Rubber Bump Stop	1	
41	SFT30	Bearing	4	
42				
43	W0166	Ø30 External Circlip	2	
44				
	RPGMRP200.16854	Roller Assembly Consists Of:		
45	RPM156.303068	Plain Roller	1	
46	RPM180.303067	Spindle	1	
47	RPF200.020175	Ø20 External Circlip	1	
48	63042RS	Bearing	1	
49	W0167	Ø52 Internal Circlip	1	

MEGASTAR GEN-2 SPARE PARTS

3.10d

Machines from 2014

Cross Conveyor Assembly

Assy No 58088

Item	Part No.	Description	Qty.	Remarks
	12506	Roller Assembly Consists Of:		
50	0000300504	Felt Seal	1	
51	11265	Roller Spindle	1	
52	6005RS	Bearing	2	
53	PH407	Seal	1	
54	PH408	Seal	1	
55	PH51AR	Flanged Roller	1	
56	PS843	Circlip	2	
	RPW300.303144A	20mm Pitch Web with Male/Female Joiners (welded) Consists Of:		
57	RPW300.303144A4	Ø11 Joining Rod	1	
58	RPW300.303144A5	20mm Pitch Male Joiner (4 hole)	2	
59	RPW300.303144A6	20mm Pitch Female Joiner (4 hole)	2	
60	RPW300.303144A1	Ø10 Web Rod	371	
61	RPW300.303144A3	Clamp Plate	366	Fitted to alternate rods
62	RPW300.303144A2	Ø5 Rivet (small head)	732	Fitted to alternate rods
63	RPW300.303144A7	Ø5x26 Rivet	16	
64	RPW300.303144A10	Ø5x19 Rivet (large head)	736	Fitted to alternate rods
	RPW300.303144A	20mm Pitch Web with 'F' Type Joiners (pressed steel) Consists Of:		
65	RPW300.303144A8	Ø10 Joining Rod	1	
66	RPW300.303144A9	20mm Pitch 'F' Type Joiner (4 hole)	4	
67				
68	RPM222.304121	Ø10 Web Rod	377	
69	RPGM019.00155	Clamp Plate	746	
70	RPF240.155200	Ø5x20 Rivet	1492	
71	RPW300.303144A7	Ø5x26 Rivet	16	
72				
	RPW300.303144A	28mm Pitch Web with Male/Female Joiners (pressed steel) Consists Of:		
73	RPM222.101008	Ø10 Joining Rod	1	
	RPW300.303144A4	Ø11 Joining Rod	1	
74	RPM419.252824	28mm Pitch M & F Joiners (2 hole)	2 pairs	
75				
76	RPM222.304121	Ø10 Web Rod	265	
77	RPGM019.00155	Clamp Plate	526	
78	RPF240.150220	Ø5x22 Rivet	1052	
79	RPF240.150250	Ø5x25 Rivet	8	
80				
	RPW300.303144B	32mm Pitch Web with Male/Female Joiners (welded) Consists Of:		
81	RPW300.303144A4	Ø11 Joining Rod	1	
82	RPW300.303144B5	32mm Pitch Male Joiner (2 hole)	2	
83	RPW300.303144B6	32mm Pitch Female Joiner (2 hole)	2	
84	RPW300.303144A1	Ø10 Web Rod	232	
85	RPW300.303144A3	Clamp Plate	460	
86	RPW300.303144A2	Ø5 Rivet	920	
87	RPW300.303144A7	Ø5x26 Rivet	8	
88				

3.10e

MEGASTAR GEN-2 SPARE PARTS

Machines from 2014

Cross Conveyor Assembly

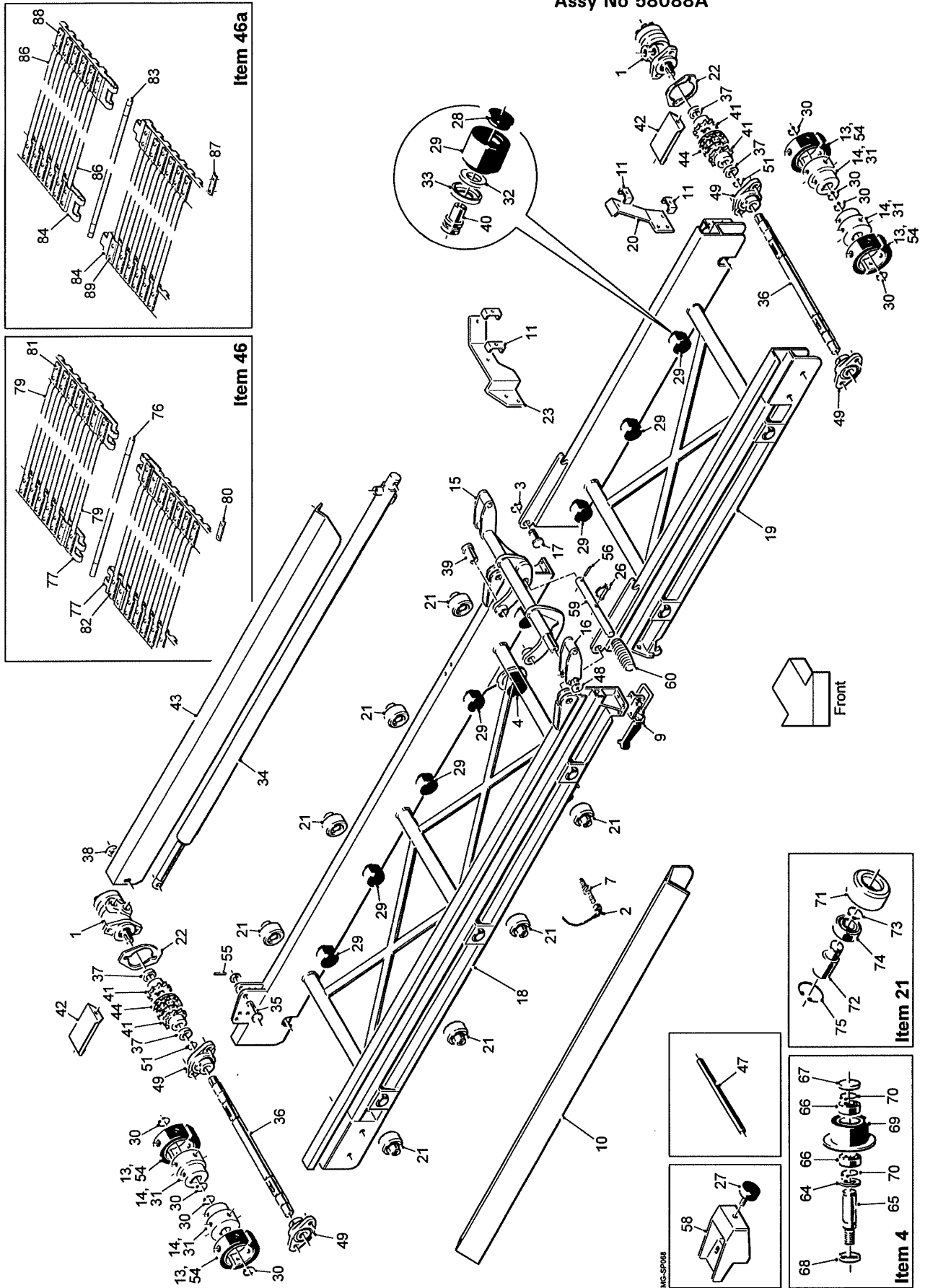
Assy No 58088

Item	Part No.	Description	Qty.	Remarks
	RPW300.303145	40mm Pitch Web with Male/Female Joiners (pressed steel) Consists Of:		
73	RPM222.101008	Ø10 Joining Rod	1	
	RPW300.303144A4	Ø11 Joining Rod	1	
74	RPM419.254024	40mm Pitch M & F Joiners (3 hole)	2 pairs	
75				
76	RPM222.304121	Ø10 Web Rod	186	
77	RPGM019.00155	Clamp Plate	368	
78	RPF240.150220	Ø5x22 Rivet	736	
79	RPF240.150250	Ø5x25 Rivet	12	
80				
		Hydraulic Components Consists Of:		
81	10466	3/8"BSP Bulkhead Adaptor	2	
82				
83	11124	1/2"BSP Dowty Seal	4	
84	11125	3/8"BSP Dowty Seal	8	
85				
86	12315	1/2"BSP M M Adaptor	2	
87				
88	13189	3/8"BSP MF Compact 90° Adaptor	2	
89				
90	27388	1/2"BSPxØ15 Pipe Stud Coupling	2	
91				
92	32475	1/2"BSP MF Compact 90° Adaptor	1	
93				
94	37104	M16 Dowty Seal	2	
95				
96	57115	Check Valve & Banjo Assembly	1	
97				
98	58255	6-Way Diverter Valve	1	
99				
100	41401	Pipe Clamp	3	
101				
102	60273	1/2"Hose Assembly (1970mm)	1	
103	60284	Ø15mm Steel Pipe Assembly	1	
104	60285	Ø15mm Steel Pipe Assembly	1	
105	60652	3/8"Hose Assembly (2130mm)	1	Part No. was 60288
106	60293	1/2"Hose Assembly (1900mm)	1	
107	60294	1/2"Hose Assembly (3700mm)	1	
108	60369	3/8"Hose Assembly (1780mm)	1	
109	60648	3/8"Hose Assembly (1400mm)	2	
110	60649	3/8"Hose Assembly (4000mm)	2	
111	60491	3/8"BSP MF Swept 45° Adaptor	1	
112				
113				
114				
115	60141	3/8"Hose Assembly (800mm)	2	Part No. was DW802596
116				
117	RPC654.308052	Pipe Clamp Plate	3	
118	RPH700.170616	M16x3/8"BSP M M Adaptor	2	
119				
120	UC31A	3/8"BSP M M Adaptor	8	

Machines from 2020

Cross Conveyor Assembly

Assy No 58088A

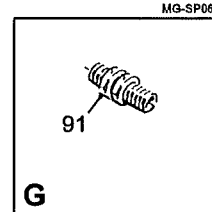
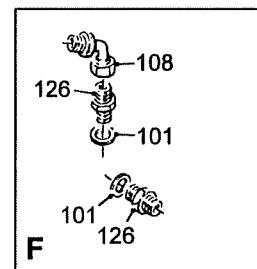
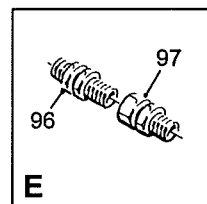
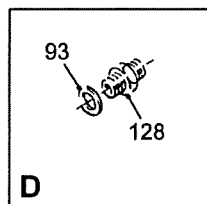
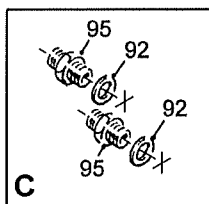
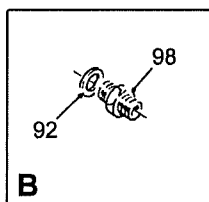
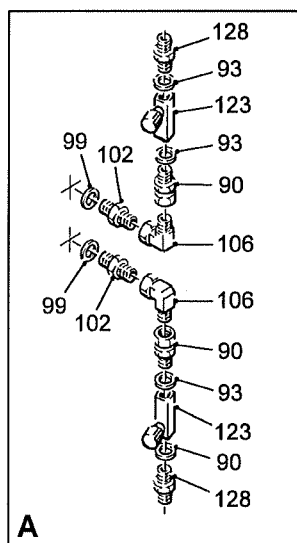
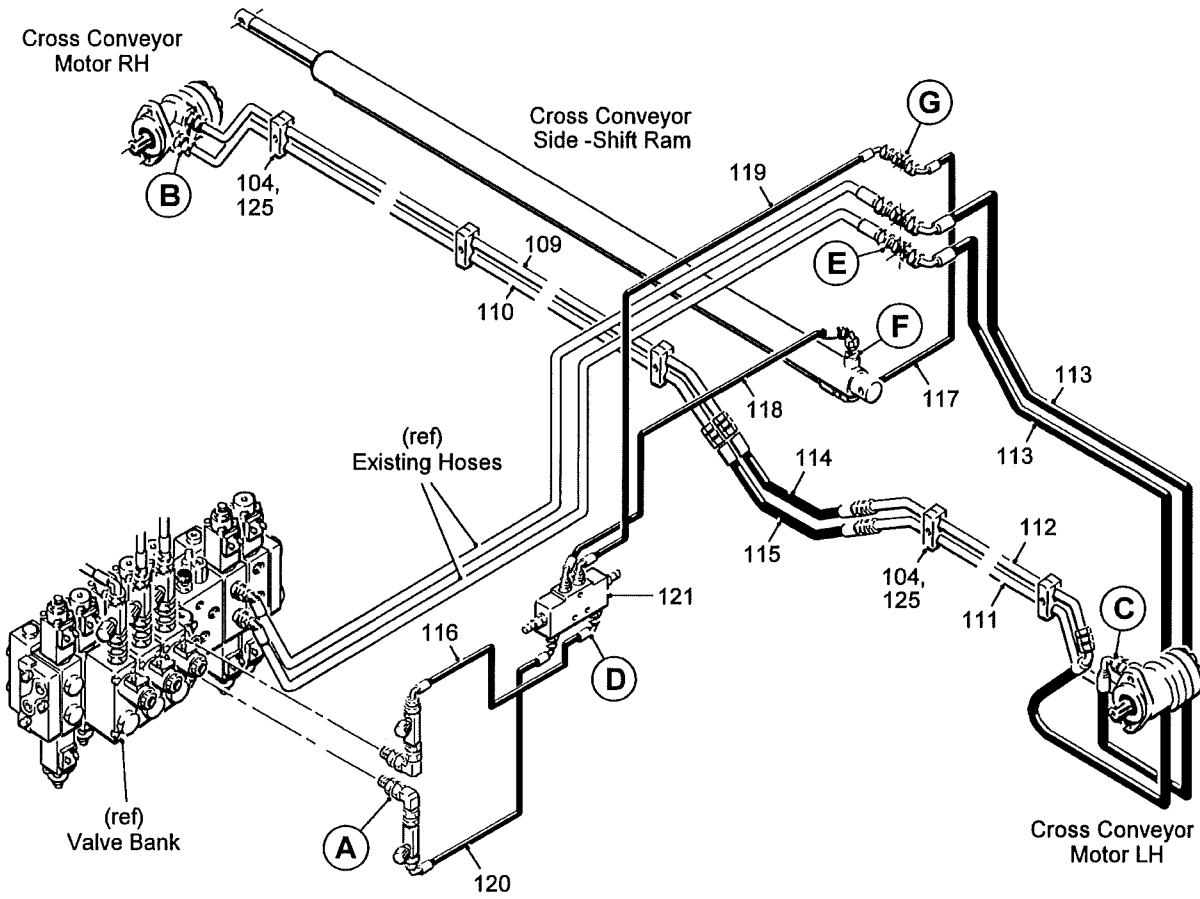


3.10a

MEGASTAR GEN-2 SPARE PARTS

Machines from 2020

Cross Conveyor Assembly Assy No 58088A



MEGASTAR GEN-2 SPARE PARTS**3.10b**

Machines from 2020

Cross Conveyor Assembly**Assy No 58088A**

Item	Part No.	Description	Qty.	Remarks
1	11201	Hydraulic Motor	2	
2	32037/2	90° Sensor Cable (5m)	1	
3	12298	Ø20 External Circlip	2	
4	12506	Flanged Roler Assembly	2	(see list at end)
5				
6				
7	41504	Proximity Sensor	1	
8				
9	58115	Latch Clamp	2	
10	58285	Front Panel	1	
11	59295	Pipe Clamp	4	
12				
13	61035	Drive Shoe Half	8	
14	61036	Drive Hub	4	
15	58286A	Latch Frame	1	┌ Replaces 58286
16	68137	Adjustable Hook Point	1	└
17	61935	Conveyor Pivot Pin	2	
18	61938	Conveyor Main Section	1	
19	61939	Conveyor End Section	1	
20	61962	Pipe Support Bracket	1	
21	61985	Steel Roller Assembly	8	(see list at end)
22	62832A	Motor Spacer	2	
23	68028	Hose Retainer	1	
24				
25				
26	10282	Linchpin	1	
27	DW901922	Bump Stop	1	
28	RPC620.303070	Cap	16	
29	RPC700.300148	Ø75 Plain Roller c/w Bearings	16	
30	RPF200.035250	Ø35 External Circlip	8	
31	RPF210.088040	8x8x40 RBE Key	4	
32	RPGM070.00446	Felt Seal	16	
33	RPGM089.00565	Roller Shield	16	
34	RPH871.303039	Hydraulic Ram	1	
35	RPM146.303066	Pin	1	
36	RPM162.304844	Drive Shaft	2	
37	RPM176.303034	Spacer (5mm)	4	
38	RPM176.303064	Spacer	1	
39	RPM178.307356	Spigot	2	
40	RPM180.303071	Pivot Bush	16	
41	RPM182.303035	12T 3/4" Pitch Sprocket	4	
42	RPM206.304847	Cover	2	
43	RPM224.304848	Ram Shield	1	
44	RPT738.600012	3/4" Pitch Duplex Chain	2	
45				
46	RPW300.303144A	20mm Pitch Web Assembly	1	(see list at end)
46a	RPW300.303144	28mm Pitch Web Assembly	1	(see list at end)
	RPW300.303145	40mm Pitch Web Assembly	1	(see list at end)
47	RPA580.303229	28mm Pitch Web Bar Cover Kit	1	Optional
48	SS040013/005	Steel Spacer	1	
49	SFT30	Bearing	4	
50				
51	W0166	Ø30 External Circlip	2	

3.10c

MEGASTAR GEN-2 SPARE PARTS

Machines from 2020

Cross Conveyor Assembly

Assy No 58088A

Item	Part No.	Description	Qty.	Remarks
52				
53				
54	22015008/020	M8x20 Socket Head Cap Screw	24	
55	22067005/030	Ø5x30 Roll Pin	1	
56	22067006/035	Ø6x35 Roll Pin	1	
57				
58	58283	Bump Stop Bracket	1	Was 58282
59	58284	Locking Pin	1	
60	58287	Handle Grip	1	
	12506	Flanged Roller Assembly Consists Of:		
64	0000300504	Felt Seal	1	
65	11265	Roller Spindle	1	
66	6005RS	Bearing	2	
67	PH407	Seal	1	
68	PH408	Seal	1	
69	PH51AR	Flanged Roller	1	
70	PS843	Circlip	2	
	61985	Steel Roller Assembly Consists Of:		
71	RPM156.303068	Plain Roller	1	
72	61984	Spindle	1	
73	RPF200.020175	Ø20 External Circlip	1	
74	63042RS	Bearing	1	
75	W0167	Ø52 Internal Circlip	1	
	RPW300.303144A	20mm Pitch Web with 'F' Type Joiners (pressed steel) Consists Of:		
76	RPW300.303144A8	Ø10 Joining Rod	1	
77	RPW300.303144A9	20mm Pitch 'F' Type Joiner (4 hole)	4	
78				
79	RPM222.304121	Ø10 Web Rod	377	
80	RPGM019.00155	Clamp Plate	746	
81	RPF240.155200	Ø5x20 Rivet	1492	
82	RPW300.303144A7	Ø5x26 Rivet	16	
	RPW300.303144	28mm Pitch Web with Male/Female Joiners (pressed steel) Consists Of:		
83	RPM222.101008	Ø10 Joining Rod	1	
	RPW300.303144A4	Ø11 Joining Rod	1	
84	RPM419.252824	28mm Pitch M & F Joiners (2 hole)	2 pairs	
85				
86	RPM222.304121	Ø10 Web Rod	265	
87	RPGM019.00155	Clamp Plate	526	
88	RPF240.150220	Ø5x22 Rivet	1052	
89	RPF240.150250	Ø5x25 Rivet	8	

MEGASTAR GEN-2 SPARE PARTS

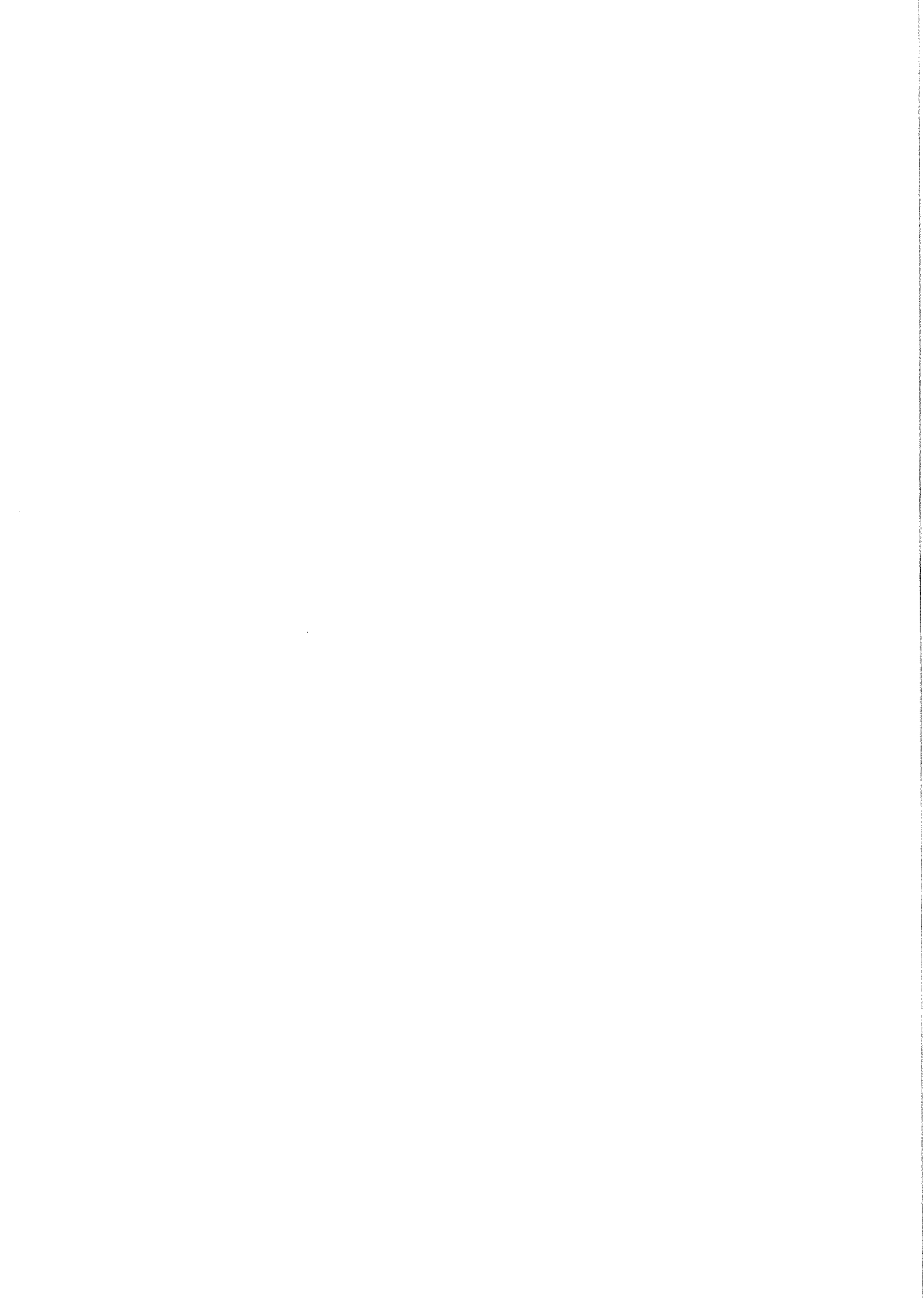
3.10d

Machines from 2020

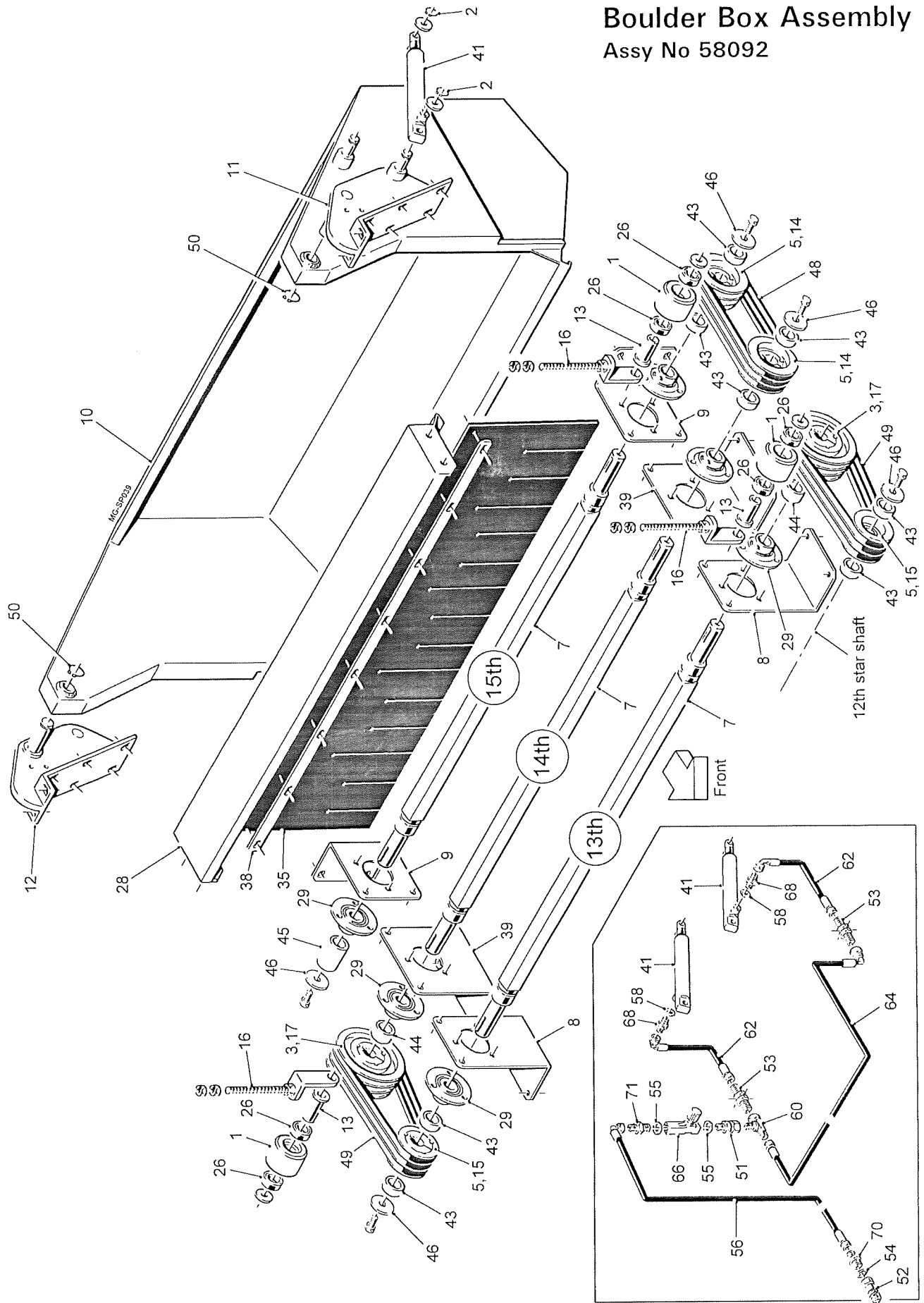
Cross Conveyor Assembly

Assy No 58088A

Item	Part No.	Description	Qty.	Remarks
	RPW300.303145	40mm Pitch Web with Male/Female Joiners (pressed steel) Consists Of:		
83	RPM222.101008	Ø10 Joining Rod	1	
	RPW300.303144A4	Ø11 Joining Rod	1	
84	RPM419.254024	40mm Pitch M & F Joiners (3 hole)	2 pairs	
85				
86	RPM222.304121	Ø10 Web Rod	186	
87	RPGM019.00155	Clamp Plate	368	
88	RPF240.150220	Ø5x22 Rivet	736	
89	RPF240.150250	Ø5x22 Rivet	12	
		<hr/>		
		Hydraulic Components Consist Of:		
90	10128	3/8"BSP MF Swivel Adaptor	2	
91	10466	3/8"BSP Bulkhead Adaptor	1	
92	11124	1/2"BSP Dowty Seal	4	
93	11125	3/8"BSP Dowty Seal	8	
94				
95	12315	1/2"BSP M M Adaptor	2	
96	12321	1/2"BSP Bulkhead Adaptor	2	
97	12602	1/2"BSP M F Swivel Adaptor	2	
98	27388	1/2"BSPx15L Male Stud Coupling	2	
99	27461	M18 Dowty Seal	2	
100				
101	37104	M16 Dowty Seal	2	
102	37599	M18x3/8"BSP M M Adaptor	2	
103				
104	41401	Pipe Clamp (15-15)	5	
105				
106	42343	3/8"BSP MF Compact 90°Adaptor	3	
107				
108	60491	3/8"BSP Swept 45°Adaptor	2	
109	60842	Ø15 Steel Pipe Assembly (top)	1	
110	60843	Ø15 Steel Pipe Assembly (bottom)	1	
111	60844	Ø15 Steel Pipe Assembly	1	
112	60845	Ø15 Steel Pipe Assembly	1	
113	60850	1/2"Hose Assembly (2810mm)	2	
114	60851	1/2"Hose Assembly (580mm)	1	
115	60852	1/2"Hose Assembly (630mm)	1	
116	60853	3/8"Hose Assembly (900mm)	1	
117	60738	3/8"Hose Assembly (850mm)	1	
118	60755	3/8"Hose Assembly (1250mm)	1	
119	60897	3/8"Hose Assembly (750mm)	1	
120	60898	3/8"Hose Assembly (650mm)	1	
121	DWS1134/1	3/8"BSP Over-centre Valve	1	
122				
123	KA17102	3/8"BSP Adjustable Restrictor Valve	2	
124				
125	RPC654.308052	Pipe Clamp Plate	5	
126	RPH700.170616	M16x3/8"BSP M M Adaptor	2	
127				
128	UC31A	3/8"BSP M M Adaptor	6	



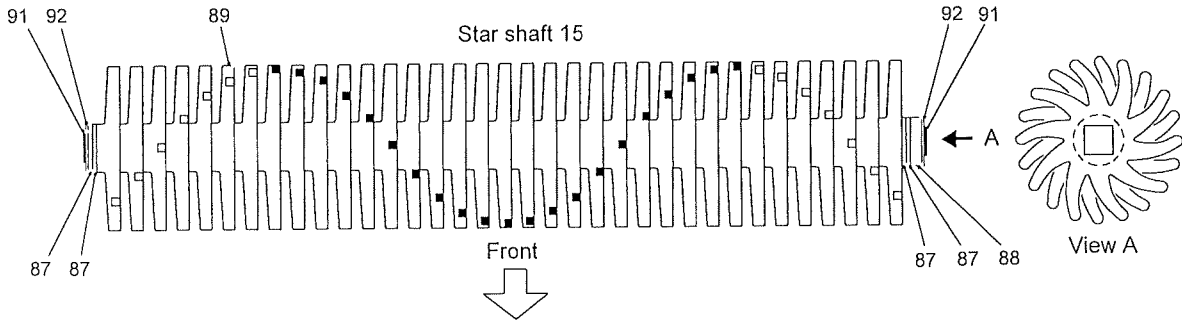
Boulder Box Assembly
Assy No 58092



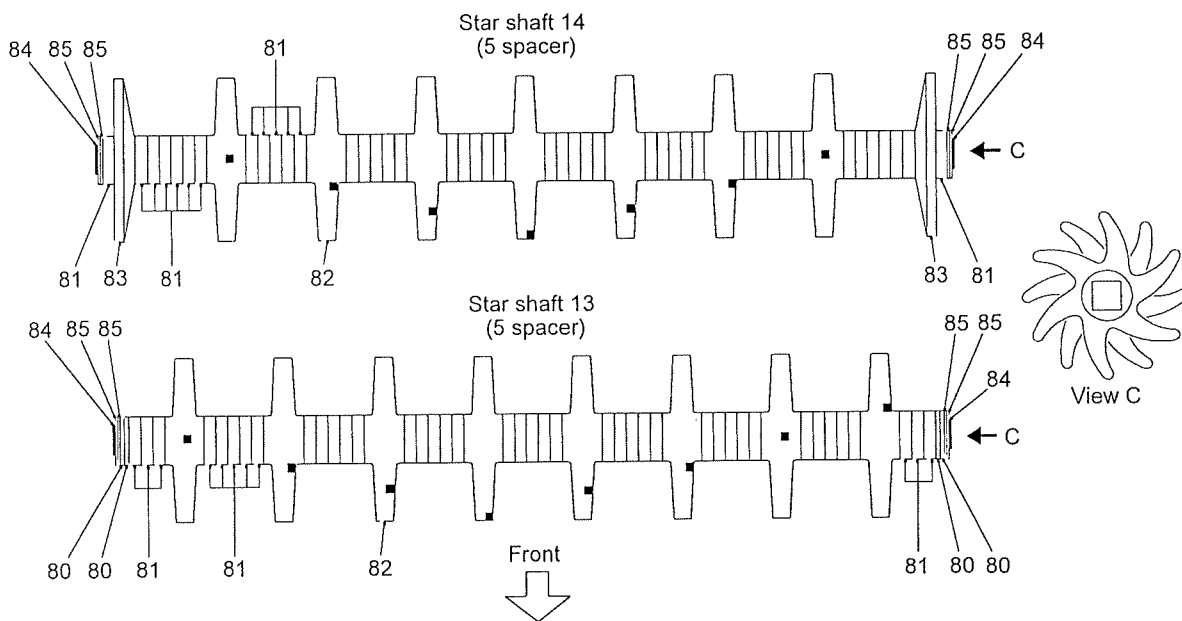
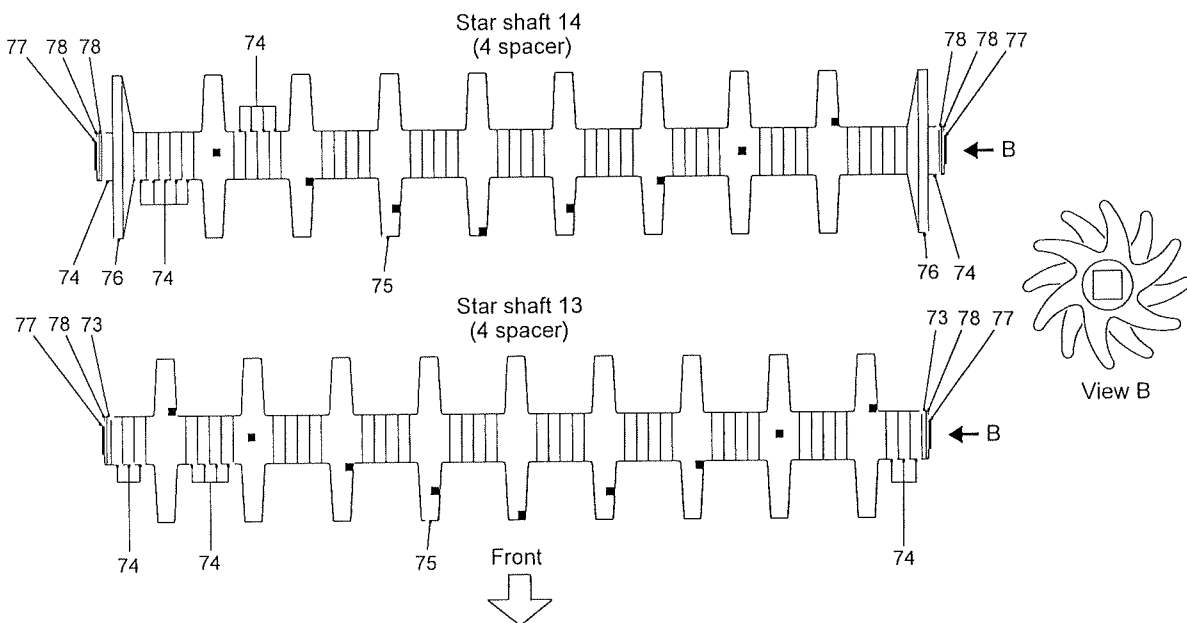
3.11a

MEGASTAR GEN-2 SPARE PARTS

Boulder Box Assembly Assy No 58092



MG-SP041



MEGASTAR GEN-2 SPARE PARTS

3.11b

Boulder Box Assembly

Assy No 58092

Item	Part No.	Description	Qty.	Remarks
1	11506	Tension Roller	3	
2	12298	Ø20 External Circlip	4	
3	27670	Taper Lock Bush (2517-35)	2	
4				
5	32151	Taper Lock Bush (2012-35)	4	
6				
7	58015	Star Shaft	3	
8	58024	Front Bearing Plate	2	
9	58025	Rear Bearing Plate	2	
10	58031	Boulder Box	1	
11	58032	LH Mounting Bracket	1	
12	58033	RH Mounting Bracket	1	
13	58058	Roller Spindle	3	
14	58074	Ø132 Pulley	2	
15	58104	Ø118 Pulley	2	
16	58113	Adjuster	3	
17	58145	Ø212 Pulley	2	
18				
19				
20				
21				
22				
23				
24				
25				
26	6005RS	Bearing	6	
27				
28	RPA610.301494	Rear Curtain Mounting Panel	1	
29	RPB210.042072	Bearing	6	
30				
31				
32				
33				
34				
35	RPC730.301490	Rear Curtain	1	
36				
37				
38	RPGMRP024.00178	Clamp Strip	1	
39	RPM225.302819	Centre Bearing Plate	2	
40				
41	RPS414	Hydraulic Ram	2	
42				
43	SS042036/015	Steel Spacer	8	
44	SS042036/018	Steel Spacer	2	
45	SS042036/064	Steel Spacer	1	
46	SS050013/004	Steel Spacer	5	
47				
48	VB92	V'Belt	3	
49	VB93	V'Belt	6	
50	W0166	Ø30 External Circlip	2	
		Hydraulic Components Consist Of:		
51	10128	3/8"BSP M F Swivel Adaptor	1	
52	10140	1/2"BSP Male Quick Release Coupling	1	
53	10466	3/8"BSP Bulkhead Adaptor	2	

3.11c

MEGASTAR GEN-2 SPARE PARTS

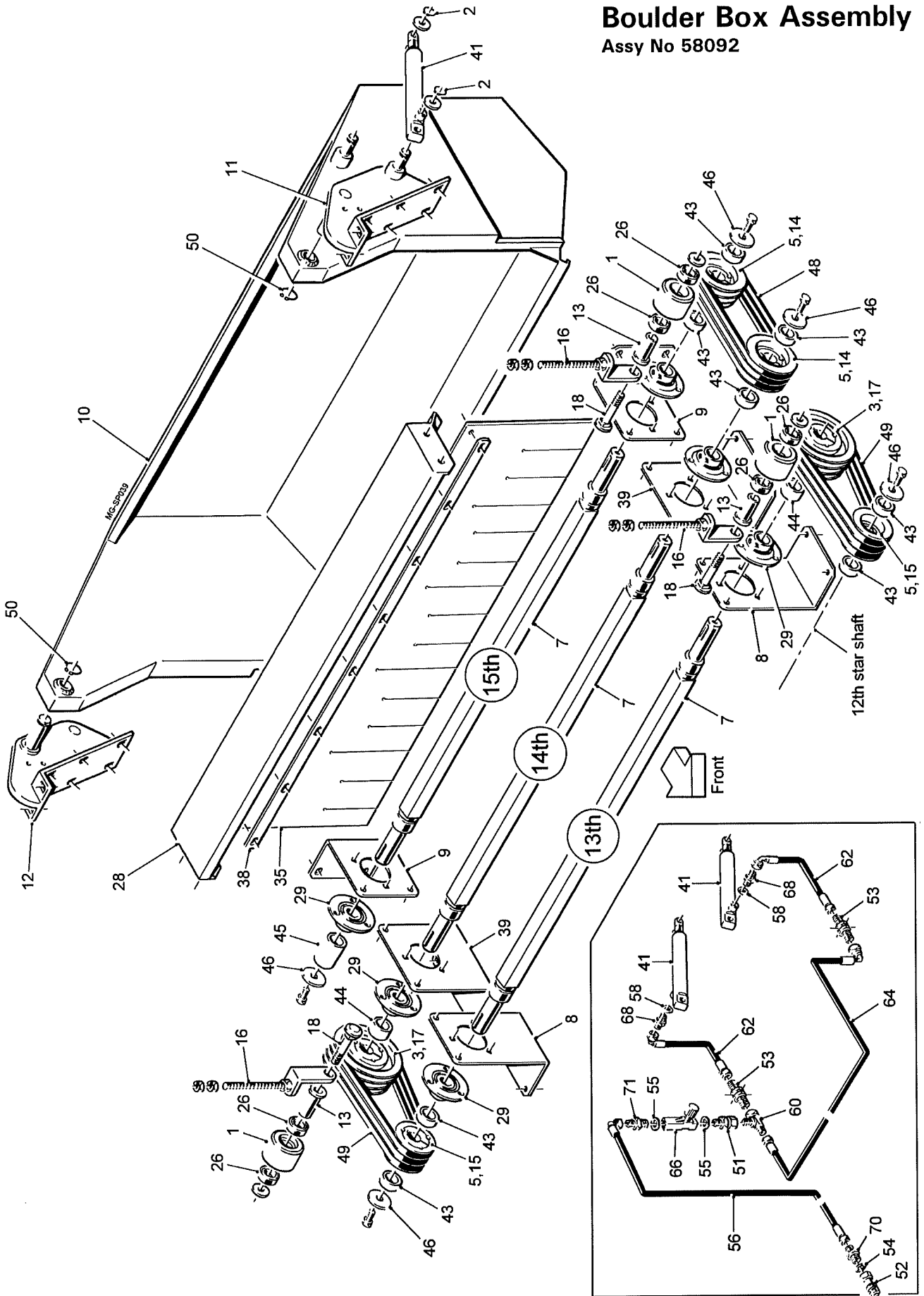
Boulder Box Assembly

Assy No 58092

Item	Part No.	Description	Qty.	Remarks
54	11124	1/2"BSP Dowty Seal	1	
55	11125	3/8"BSP Dowty Seal	2	
56	11843	3/8"Hose Assembly (9000mm)	1	
57				
58	37104	M16 Dowty Seal	2	
59				
60	46939	3/8"BSP FMM Tee	1	
61				
62	60280	3/8"Hose Assembly (510mm)	2	
63				
64	DW802595	3/8"Hose Assembly (5000mm)	1	
65				
66	KA17102	3/8"BSP Adjustable Restrictor Valve	1	
67				
68	RPH700.170616	M16x3/8"BSP M M Adaptor	2	
69				
70	UC25	1/2"BSPx3/8"BSP M M Adaptor	1	
71	UC31A	3/8"BSP M M Adaptor	1	
72				
		13th & 14th Star Shafts (4 spacer)		
		Consists Of:		
73	RPC700.303209	5mm Spacer	2	
74	RPC700.303217	20mm Spacer	78	
75	RPC700.303218	6 Finger Star	17	
76	RPC700.308287	End Disc	2	
77	RPF200.040250	Ø40 External Circlip	4	
78	RPF280.417025	2.5mm Retaining Washer	6	
79				
		13th & 14th Star Shafts (5 spacer)		
		Consists Of:		
80	RPC700.303209	5mm Spacer	4	
81	RPC700.303217	20mm Spacer	85	
82	RPC700.303218	6 Finger Star	15	
83	RPC700.308287	End Disc	2	
84	RPF200.040250	Ø40 External Circlip	4	
85	RPF280.417025	2.5mm Retaining Washer	8	
86				
		15th Star Shaft Consists Of:		
87	RPC700.303209	5mm Spacer	4	
88	RPC700.303217	20mm Spacer	1	
89	RPC700.308282	10 Finger Star	35	
90				
91	RPF200.040250	Ø40 External Circlip	2	
92	RPF280.417025	2.5mm Retaining Washer	2	
93				

Machines from 2017

Boulder Box Assembly
Assy No 58092



MEGASTAR GEN-2 SPARE PARTS

3.11b

Machines from 2017

Boulder Box Assembly

Assy No 58092

Item	Part No.	Description	Qty.	Remarks
1	11506	Tension Roller	3	Was 12298
2	RPF200.020175	Ø20 External Circlip	4	
3	27670	Taper Lock Bush (2517-35)	2	
4				
5	32151	Taper Lock Bush (2012-35)	4	
6				
7	58015	Star Shaft	3	
8	58024	Front Bearing Plate	2	
9	58025	Rear Bearing Plate	2	
10	58031	Boulder Box	1	
11	58032	LH Mounting Bracket	1	
12	58033	RH Mounting Bracket	1	
13	58058	Roller Spindle	3	
14	58074	Ø132 Pulley	2	
15	58104	Ø118 Pulley	2	
16	58113	Adjuster	3	
17	58145	Ø212 Pulley	2	
18	58309	M16x90 Special Cup Square Bolt	3	
19				
20				
21				
22				
23				
24				
25				
26	6005RS	Bearing	6	
27				
28	RPA610.301494	Rear Curtain Mounting Panel	1	
29	RPB210.042072	Bearing	6	
30				
31				
32				
33				
34				
35	RPC730.301490	Rear Curtain	1	
36				
37				
38	RPGMRP024.00178	Clamp Strip	1	
39	RPM225.302819	Centre Bearing Plate	2	
40				
41	RPS414	Hydraulic Ram	2	
42				
43	SS042036/015	Steel Spacer	8	
44	SS042036/018	Steel Spacer	2	
45	SS042036/064	Steel Spacer	1	
46	SS050013/004	Steel Spacer	5	
47				
48	VB92	V'Belt	3	
49	VB93	V'Belt	6	
50	W0166	Ø30 External Circlip	2	
		Hydraulic Components Consist Of:		
51	10128	3/8" BSP M F Swivel Adaptor	1	
52	10140	1/2" BSP Male Quick Release Coupling	1	
53	10466	3/8" BSP Bulkhead Adaptor	2	

3.11c

MEGASTAR GEN-2 SPARE PARTS

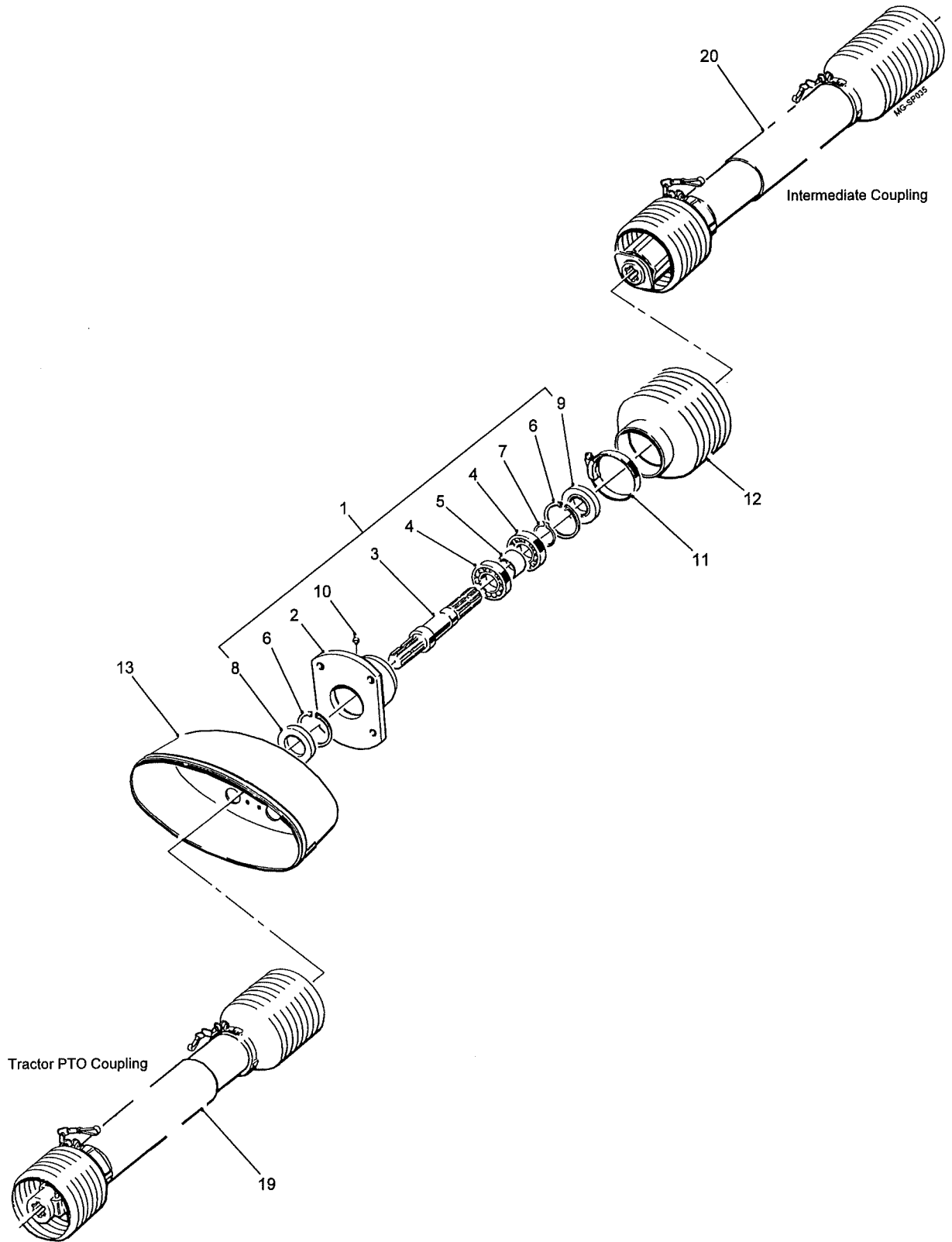
Machines from 2017

Boulder Box Assembly

Assy No 58092

Item	Part No.	Description	Qty.	Remarks
54	11124	1/2"BSP Dowty Seal	1	
55	11125	3/8"BSP Dowty Seal	2	
56	11843	3/8"Hose Assembly (9000mm)	1	
57				
58	37104	M16 Dowty Seal	2	
59				
60	46939	3/8"BSP FMM Tee	1	
61				
62	60280	3/8"Hose Assembly (510mm)	2	
63				
64	60333	3/8"Hose Assembly (4400mm)	1	Part was DW802595
65				
66	KA17102	3/8"BSP Adjustable Restrictor Valve	1	
67				
68	RPH700.170616	M16x3/8"BSP M M Adaptor	2	
69				
70	UC25	1/2"BSPx3/8"BSP M M Adaptor	1	
71	UC31A	3/8"BSP M M Adaptor	1	
72				
		13th & 14th Star Shafts (4 spacer) Consists Of:		
73	RPC700.303209	5mm Spacer	8	
74	RPC700.303217	20mm Spacer	78	
75	RPC700.303218	6 Finger Star	17	
76	RPC700.308287	End Disc	2	
77	58260	Stop Collar	4	
78	RPF280.417025	2.5mm Retaining Washer	4	
79				
		15th Star Shaft Consists Of:		
87	RPC700.303209	5mm Spacer	6	
88	RPC700.303217	20mm Spacer	2	
89	RPC700.308282	10 Finger Star	36	
90				
91	58260	Stop Collar	2	
92	RPF280.417025	2.5mm Retaining Washer	2	
93				

Input Drives
Part of Assy No 58086



3.12a

MEGASTAR GEN-2 SPARE PARTS

Input Drives

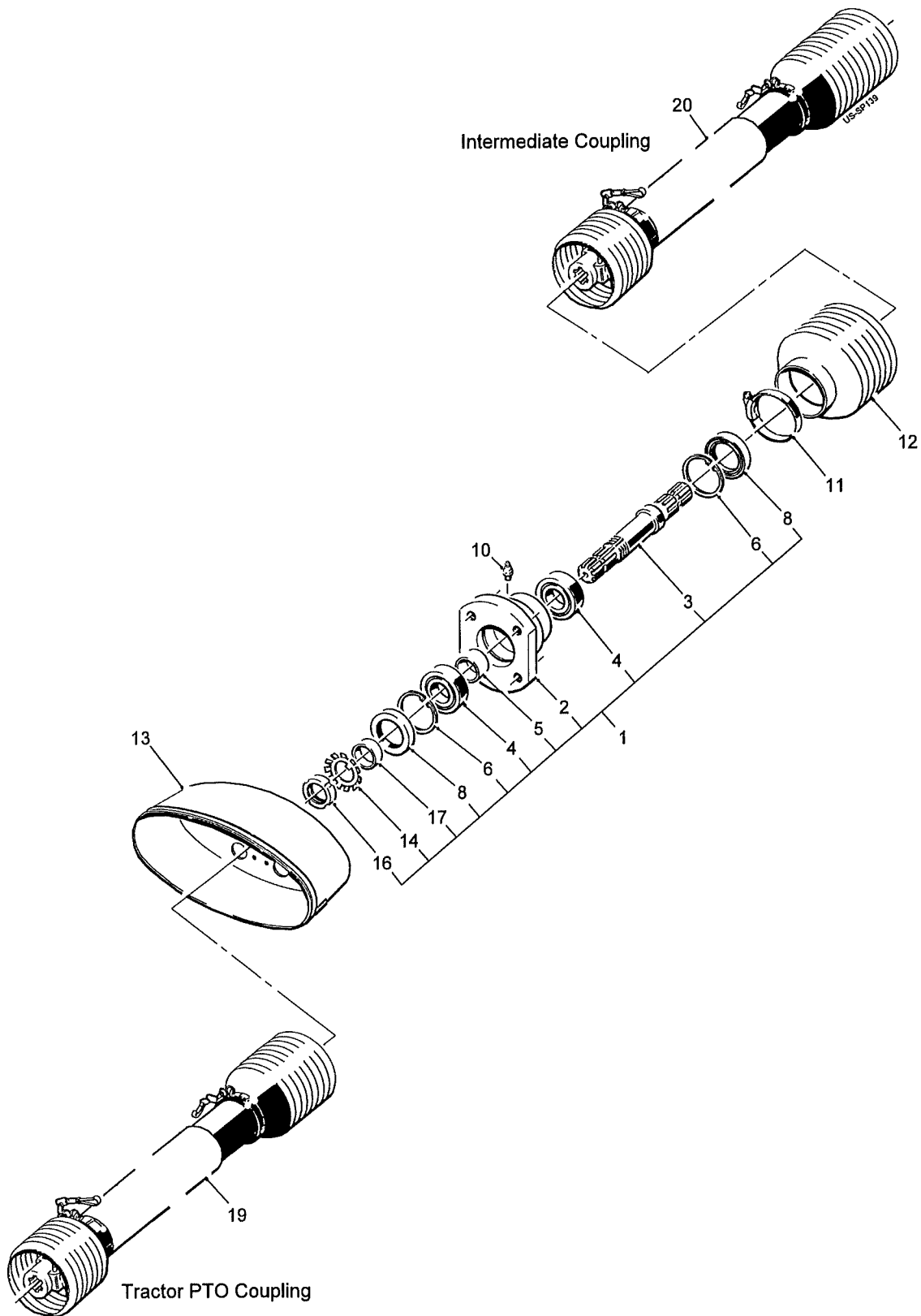
Part of Assy No 58086

Item	Part No.	Description	Qty.	Remarks
1	RPS972	Drive Housing Assembly	1	
2	RPA610.306283	Housing	1	
3	RPS787	Splined Shaft	1	
4	6208	Bearing	2	
5	RPGM060.00659	46x2x37 Spacer	1	
6	W0161	Ø80 Internal Circlip	2	
7	RPF200.040250	Ø40 External Circlip	1	
8	11876/4	50x80x13 Oil Seal	1	
9	RPS200.408013	40x80x13 Oil Seal	1	
10	RPC648.081250	M8 Straight Grease Nipple	1	
11	RPC654.303207	Hose Clip	1	
12	RPGMRPB95.01201	Guard Cone	1	
13	RPT842.306457	PTO Guard Cone (drilled)	1	
14				
15				
16				
17				
18				
19	RPT895.303205	PTO Drive Coupling Complete	1	
20	RPT895.303172	Intermediate Drive Coupling Complete	1	

Machines from 2015

Input Drives

Part of Assy No 58086



3.12a**MEGASTAR GEN-2 SPARE PARTS**

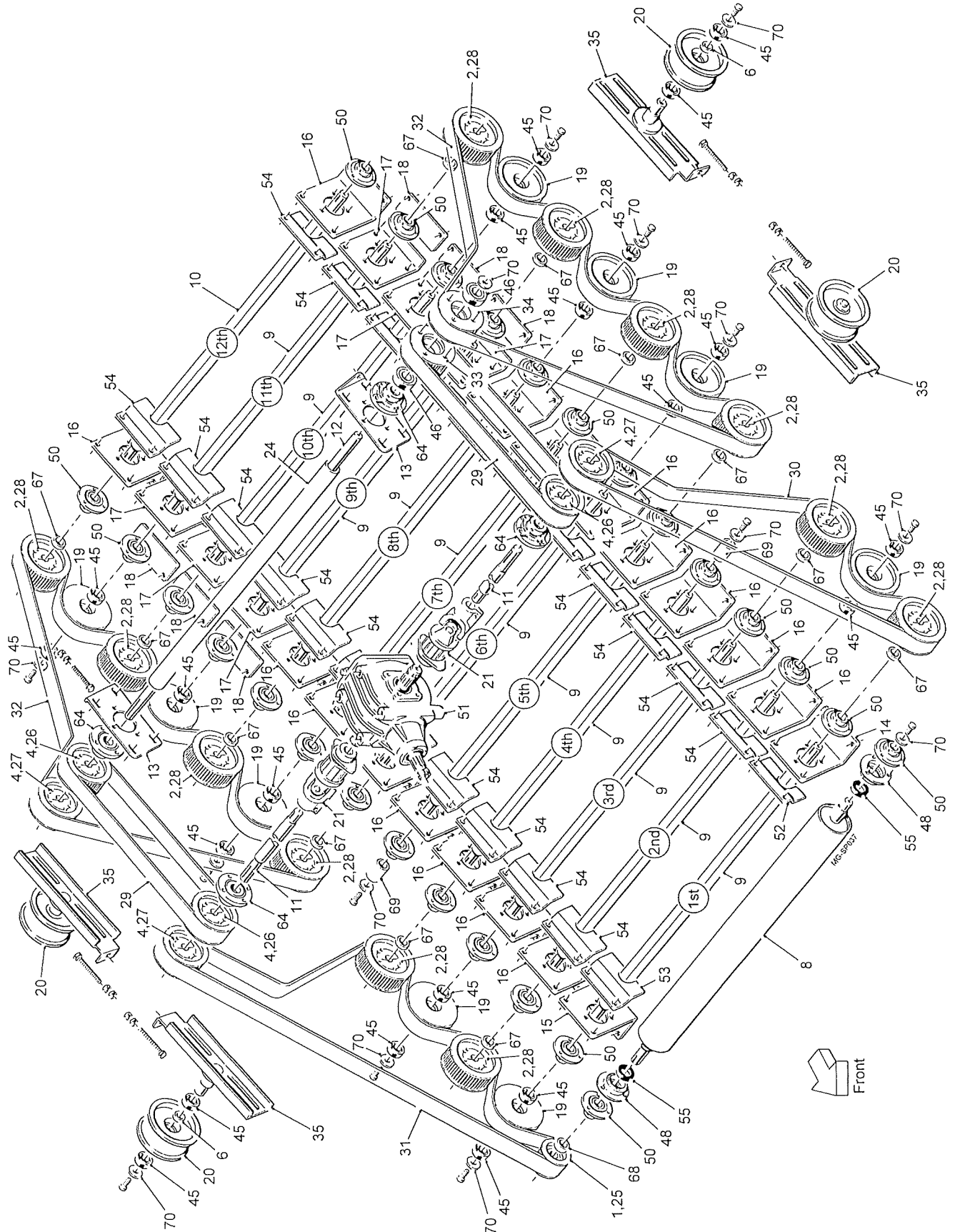
Machines from 2015

Input Drives

Part of Assy No 58086

Item	Part No.	Description	Qty.	Remarks
1	RPS972	Drive Housing Assembly	1	
2	RPA610.306283	Housing	1	
3	RPS787B	Splined Shaft	1	
4	6208	Bearing	2	
5	RPGM060.00659	Spacer (37mm)	1	
6	W0161	Ø80 Internal Circlip	2	
7				
8	11876/4	Oil Seal (50x80x13)	2	
9				
10	RPC648.081250	M8 Straight Grease Nipple	1	
11	RPC654.303207	Hose Clip	1	
12	RPGMRPB95.01201	Guard Cone	1	
13	RPT842.306457	PTO Guard Cone (drilled)	1	
14	RPF284.140000	Lock Washer	1	
15				
16	45038	M40 Lock Nut	1	
17	61234	Spacer (20mm)	1	
18				
19	RPT895.303205	PTO Drive Coupling Complete	1	
20	RPT895.303172	Intermediate Drive Coupling Complete	1	

Star Shaft Drives
Part of Assy No 58086



Front

3.13a

MEGASTAR GEN-2 SPARE PARTS

Star Shaft Drives

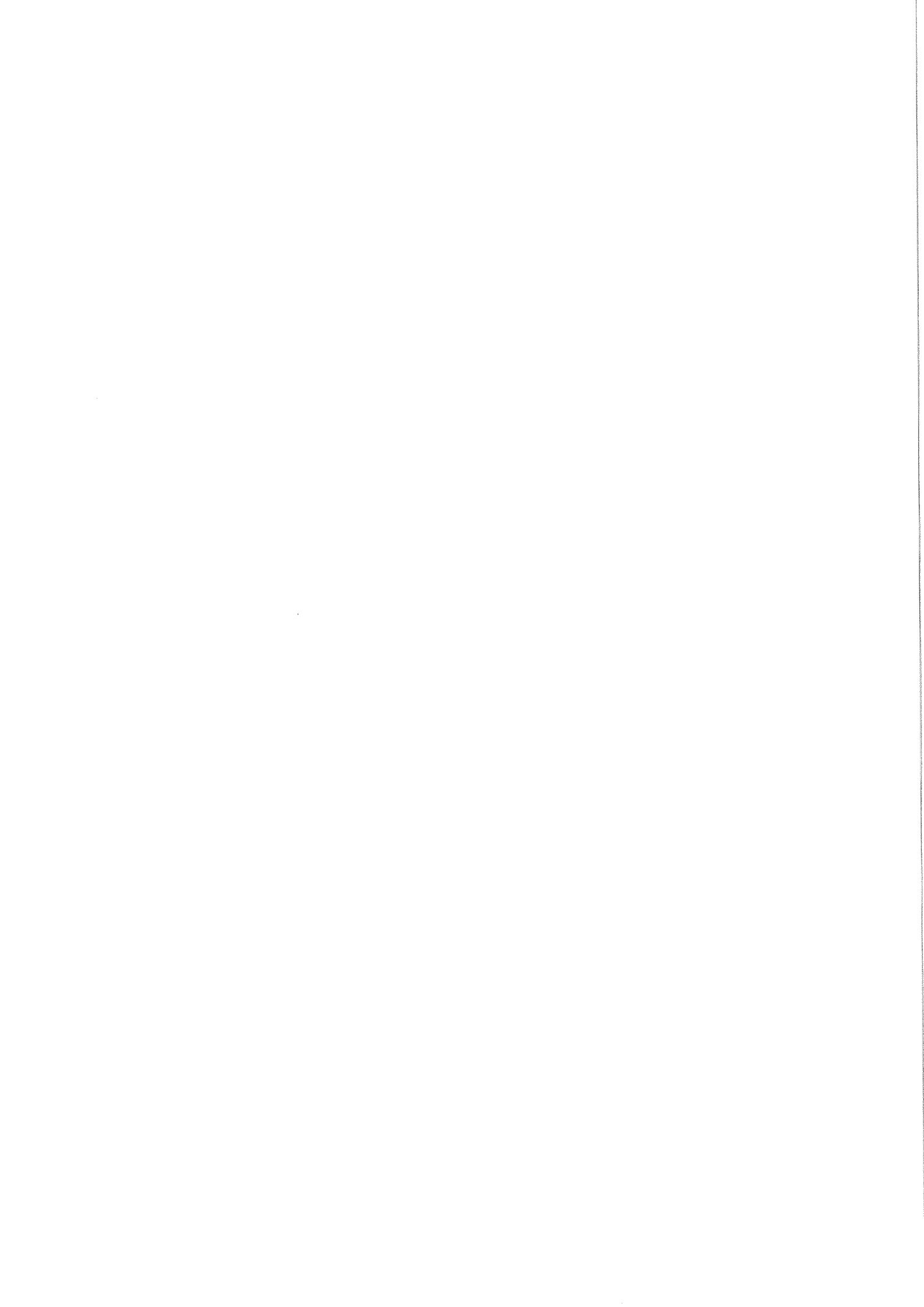
Part of Assy No 58086

Item	Part No.	Description	Qty.	Remarks
1	32151	Taper Lock Bush (2012-35)	1	
2	32152	Taper Lock Bush (3020-35)	12	
3				
4	33082	Taper Lock Bush (2517-40)	6	
5				
6	57043	Pulley Spacer (16mm)	4	
7				
8	58013	Front Roller	1	
9	58014	Star Shaft	11	
10	58015	Star Shaft	1	
11	58016	Gearbox Shaft	2	
12	58017	Layshaft	1	
13	58018	Adjuster Plate	2	
14	58019	LH Bearing Plate (shaft 1)	1	
15	58020	RH Bearing Plate (shaft 1)	1	
16	58021	Bearing Plate (shafts 2,3,4,5,6,7,8 & 12)	16	
17	58022	Bearing Plate (shafts 9, 10 & 11)	6	
18	58023	Under Plate	6	
19	58036	Idler Pulley	9	
20	58037	Tensioner Pulley	4	
21	58052	Clutch and Yoke Assembly	2	
22				
23				
24	58055	Layshaft Guard Tube	1	
25	58066	28T Pulley	1	
26	58067	40T Pulley	3	
27	58067	40T Pulley	3	Standard speed drive only
	58082	38T Pulley	3	Slow speed drive only
28	58068	44T Pulley	12	
29	58069	Drive Belt (1890mm)	2	
30	58070	Drive Belt (3500mm)	1	
31	58071	Drive Belt (4326mm)	1	
32	58072	Drive Belt (4578mm)	2	
33	58077	40T Pulley	1	
34	58078	40T Pulley	1	Standard speed drive only
	58083	38T Pulley	1	Slow speed drive only
35	58114	Tensioner Bracket	4	
36				
37				
38				
39				
40				
41				
42				
43				
44				
45	62072RS	Bearing	26	
46	6208RS	Bearing	2	
47				
48	RPA610.306285	Front Roller Housing	2	
49				
50	RPB210.042072	Bearing	26	
51	RPC647.312235	Gearbox Assembly	1	

MEGASTAR GEN-2 SPARE PARTS**3.13b****Star Shaft Drives**

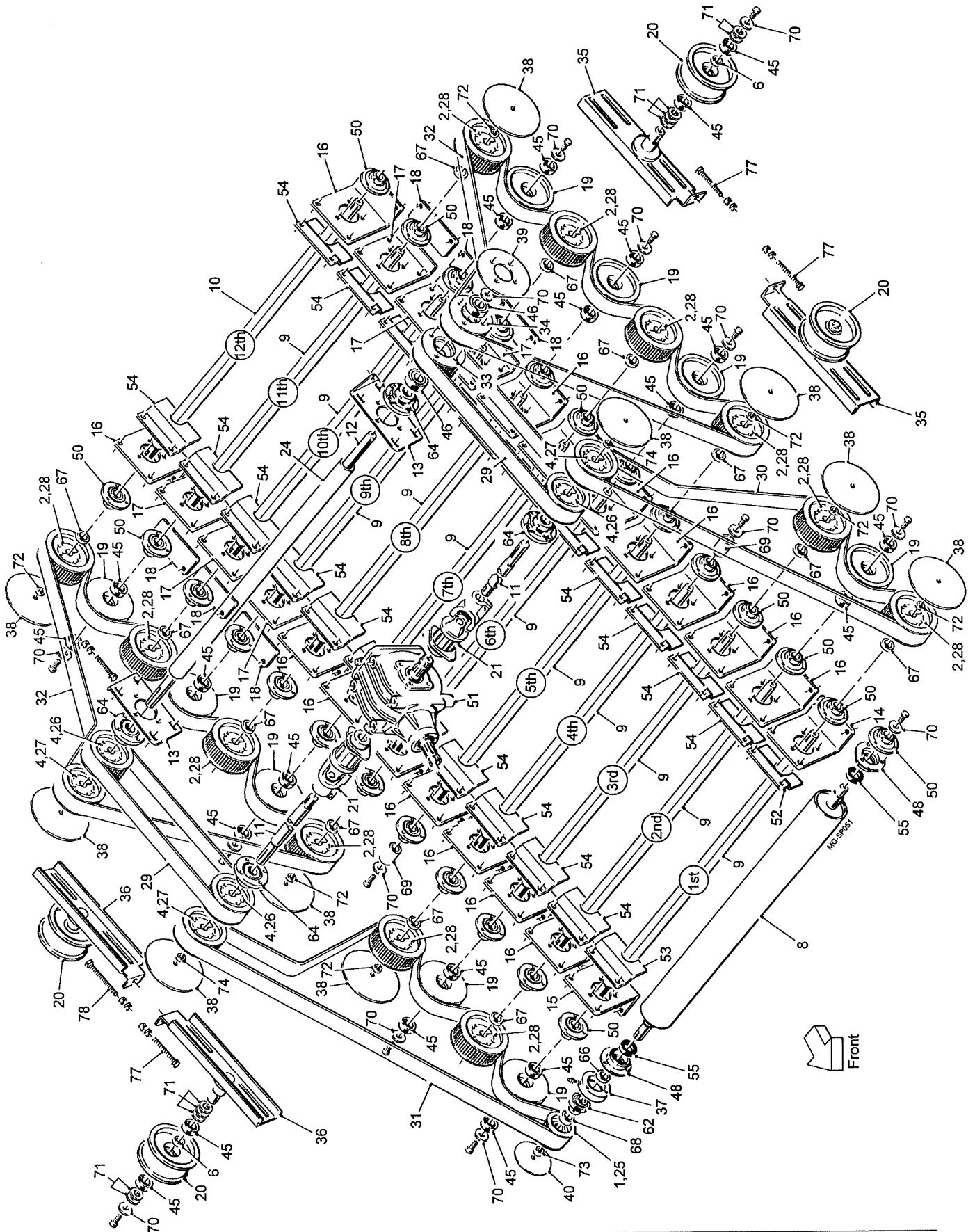
Part of Assy No 58086

Item	Part No.	Description	Qty.	Remarks
52	RPGMRP025.01297	LH Front Soil Deflector	1	
53	RPGMRP025.01298	RH Front Soil Deflector	1	
54	RPGMRP025.01299	Soil Deflector	22	
55	RPS204.406010	Seal	2	
56				
57				
58				
59				
60				
61				
62				
63				
64	SLFE40A	Bearing	4	
65				
66				
67	SS042036/010	Steel Spacer	12	
68	SS042036/018	Steel Spacer	1	
69	SS042036/064	Steel Spacer	2	
70	SS050013/004	Steel Spacer	17	



Machines from 2011

Star Shaft Drives Part of Assy No 58086



3.13a**MEGASTAR GEN-2 SPARE PARTS**

Machines from 2011

Star Shaft Drives

Part of Assy No 58086

Item	Part No.	Description	Qty.	Remarks
1	32151	Taper Lock Bush (2012-35)	1	
2	32152	Taper Lock Bush (3020-35)	12	
3				
4	33082	Taper Lock Bush (2517-40)	6	
5				
6	57043	Pulley Spacer (16mm)	4	
7				
8	58013	Front Roller	1	
9	58014	Star Shaft	11	
10	58015	Star Shaft	1	
11	58016	Gearbox Shaft	2	
12	58017	Layshaft	1	
13	58018	Adjuster Plate	2	
14	58019	LH Bearing Plate (shaft 1)	1	
15	58020	RH Bearing Plate (shaft 1)	1	
16	58021	Bearing Plate (shafts 2,3,4,5,6,7,8 & 12)	16	
17	58022	Bearing Plate (shafts 9, 10 & 11)	6	
18	58023	Under Plate	6	
19	58036	Idler Pulley	9	
20	58037	Tensioner Pulley	4	
21	58052	Clutch and Yoke Assembly	2	
22				
23				
24	58055	Layshaft Guard Tube	1	
25	58066	28T Pulley	1	
26	58067	40T Pulley	3	
27	58067	40T Pulley	3	Standard speed drive only
	58082	38T Pulley	3	Slow speed drive only
28	58068	44T Pulley	12	
29	58069	Drive Belt (1890mm)	2	
30	58070	Drive Belt (3500mm)	1	
31	58071	Drive Belt (4326mm)	1	
32	58072	Drive Belt (4578mm)	2	
33	58077	40T Pulley	1	
34	58078	40T Pulley	1	Standard speed drive only
	58083	38T Pulley	1	Slow speed drive only
35	58114LH	Tensioner Bracket LH	2	
36	58114RH	Tensioner Bracket RH	2	
37	58169	Bearing Housing	1	
38	58181	Ø220 Pulley Flange	10	
39	58182	Ø220 Pulley Flange	1	
40	58183	Ø130 Pulley Flange	1	
41				
42				
43				
44				
45	62072RS	Bearing	26	
46	6208RS	Bearing	2	
47				
48	RPA610.306285	Front Roller Housing	2	
49				
50	RPB210.042072	Bearing	25	
51	RPC647.312235	Gearbox Assembly	1	

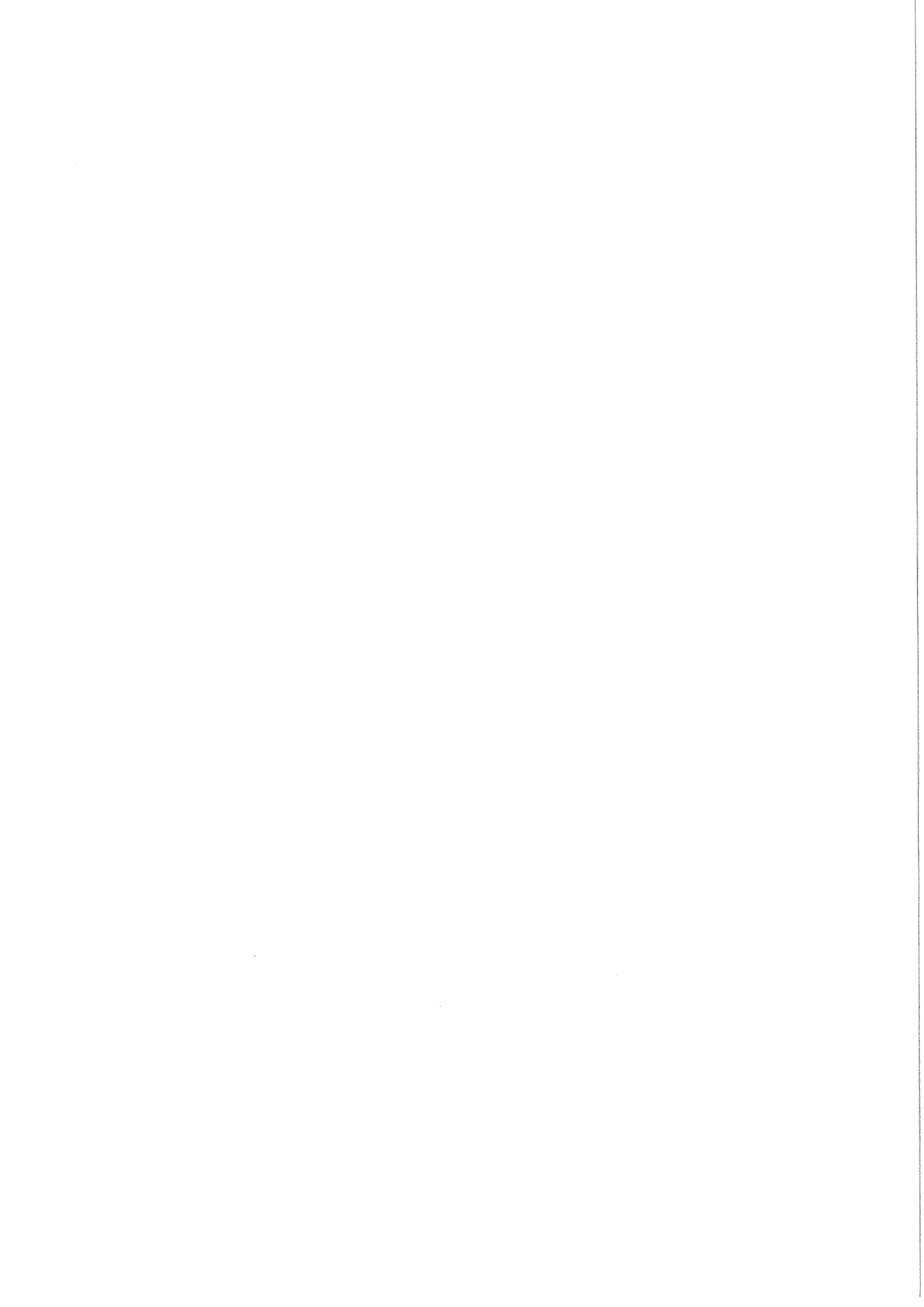
MEGASTAR GEN-2 SPARE PARTS**3.13b**

Machines from 2011

Star Shaft Drives

Part of Assy No 58086

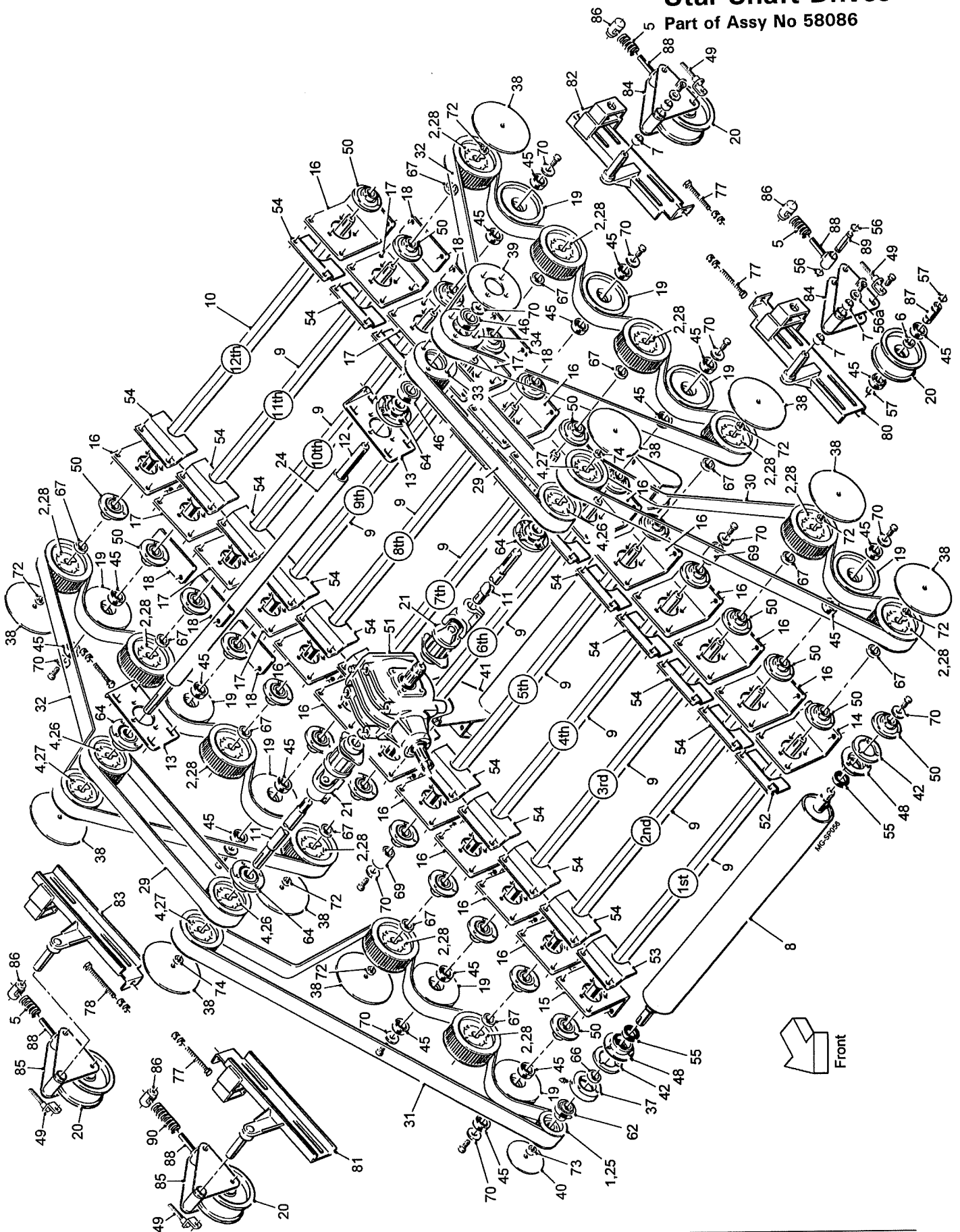
Item	Part No.	Description	Qty.	Remarks
52	RPGMRP025.01297	LH Front Soil Deflector	1	
53	RPGMRP025.01298	RH Front Soil Deflector	1	
54	RPGMRP025.01299	Soil Deflector	22	
55	RPS204.406010	Seal	2	
56				
57				
58				
59				
60				
61				
62	1040-35	Bearing	1	
63				
64	SLFE40A	Bearing	4	
65				
66	SS042036/007	Steel Spacer	1	
67	SS042036/010	Steel Spacer	12	
68	SS042036/018	Steel Spacer	1	
69	SS042036/064	Steel Spacer	2	
70	SS050013/004	Steel Spacer	17	
71	SS045036/003	Steel Spacer	20	
72	SS025013/007	Steel Spacer	7	
73	SS025013/018	Steel Spacer	1	
74	SS025013/012	Steel Spacer	2	
75				
76				
77	22011016/150	M16x150 Setscrew	3	
78	22011016/180	M16x180 Setscrew	1	



Machines with spring-loaded tensioners

Star Shaft Drives

Part of Assy No 58086



3.13a

MEGASTAR GEN-2 SPARE PARTS

Machines with spring-loaded tensioners

Star Shaft Drives

Part of Assy No 58086

Item	Part No.	Description	Qty.	Remarks
1	32151	Taper Lock Bush (2012-35)	1	
2	32152	Taper Lock Bush (3020-35)	12	
3				
4	33082	Taper Lock Bush (2517-40)	6	
5	57136	Spring (short)	3	
6	57043	Pulley Spacer (16mm)	4	
7	57129	Plastic Bush	8	
8	58013	Front Roller	1	
9	58014A	Star Shaft	11	Prior to 2017 was 58014
10	58015	Star Shaft	1	
11	58016	Gearbox Shaft	2	
12	58017	Layshaft	1	
13	58018	Adjuster Plate	2	
14	58019	LH Bearing Plate (shaft 1)	1	
15	58020	RH Bearing Plate (shaft 1)	1	
16	58021	Bearing Plate (shafts 2,3,4,5,6,7,8 & 12)	16	
17	58022	Bearing Plate (shafts 9, 10 & 11)	6	
18	58023	Under Plate	6	
19	58036	Idler Pulley	9	
20	58037	Tensioner Pulley	4	
21	58052	Clutch and Yoke Assembly	2	
22				
23				
24	58055	Layshaft Guard Tube	1	
25	58066	28T Pulley	1	
26	58067	40T Pulley	3	
27	58067	40T Pulley	3	Standard speed drive only
	58082	38T Pulley	3	Slow speed drive only
28	58068	44T Pulley	12	
29	58069	Drive Belt (1890mm)	2	
30	58070	Drive Belt (3500mm)	1	
31	58071	Drive Belt (4326mm)	1	
32	58072	Drive Belt (4578mm)	2	
33	58077	40T Pulley	1	
34	58078	40T Pulley	1	Standard speed drive only
	58083	38T Pulley	1	Slow speed drive only
35				
36				
37	58169	Bearing Housing	1	
38	58181	Ø220 Pulley Flange	10	
39	58182	Ø220 Pulley Flange	1	
40	58183	Ø130 Pulley Flange	1	
41	58214	Chassis Brace	1	
42	58263	Housing Spacer	2	
43				
44				
45	62072RS	Bearing	26	
46	6208RS	Bearing	2	
47				
48	RPA610.306285	Front Roller Housing	2	
49	RPA610.304444	Adjuster	4	
50	RPB210.042072	Bearing	25	
51	RPC647.312235	Gearbox Assembly	1	

MEGASTAR GEN-2 SPARE PARTS

3.13b

Machines with spring-loaded tensioners

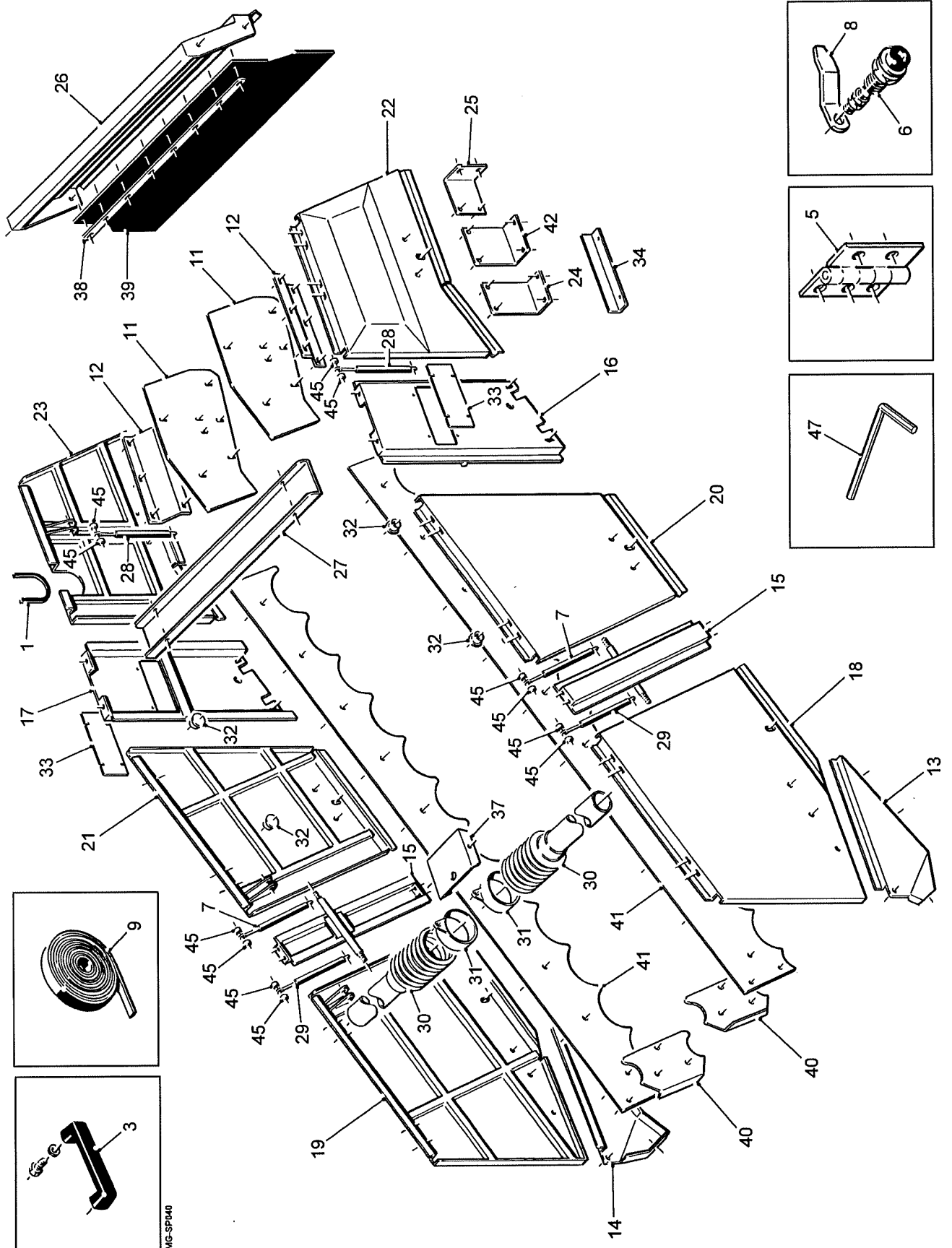
Star Shaft Drives

Part of Assy No 58086

Item	Part No.	Description	Qty.	Remarks
52	RPGMRP025.01297A	LH Front Soil Deflector	1	Prior to 2017 was RPGMRP025.01297
53	RPGMRP025.01298A	RH Front Soil Deflector	1	Prior to 2017 was RPGMRP025.01298
54	RPGMRP025.01299A	Soil Deflector	22	Prior to 2017 was RPGMRP025.01299
55	RPS204.406010	Seal	2	
56	RPF200.025200	Ø25 External Circlip	8	Qty was x12
56a	65532	Countersunk Washer	4	Was RPF200.025200
57	RPF200.035250	Ø35 External Circlip	8	
58				
59				
60				
61				
62	1040-35	Bearing	1	
63				
64	SLFE40A	Bearing	4	
65				
66	SS042036/007	Steel Spacer	1	
67	SS042036/010	Steel Spacer	12	
68				
69	SS042036/064	Steel Spacer	2	
70	SS050013/004	Steel Spacer	13	
71				
72	SS025013/007	Steel Spacer	7	
73	SS025013/018	Steel Spacer	1	
74	SS025013/012	Steel Spacer	2	
75				
76				
77	22011016/150	M16x150 Setscrew	3	
78	22011016/180	M16x180 Setscrew	1	
79				
80	58216LH	LH Front Tensioner Mounting	1	
81	58216RH	RH Front Tensioner Mounting	1	
82	58217LH	LH Rear Tensioner Mounting	1	
83	58217RH	RH Rear Tensioner Mounting	1	
84	58226	LH Tensioner Arm	2	
85	58227	RH Tensioner Arm	2	
86	58228	Trunnion	4	
87	58229	Tensioner Shaft	4	
88	58230	Tensioner Rod	4	
89	58231	Tensioner Pin	4	
90	58232	Spring (long)	1	



Guards and Side Panels
Assy No 58087



MG-SP140

3.14a

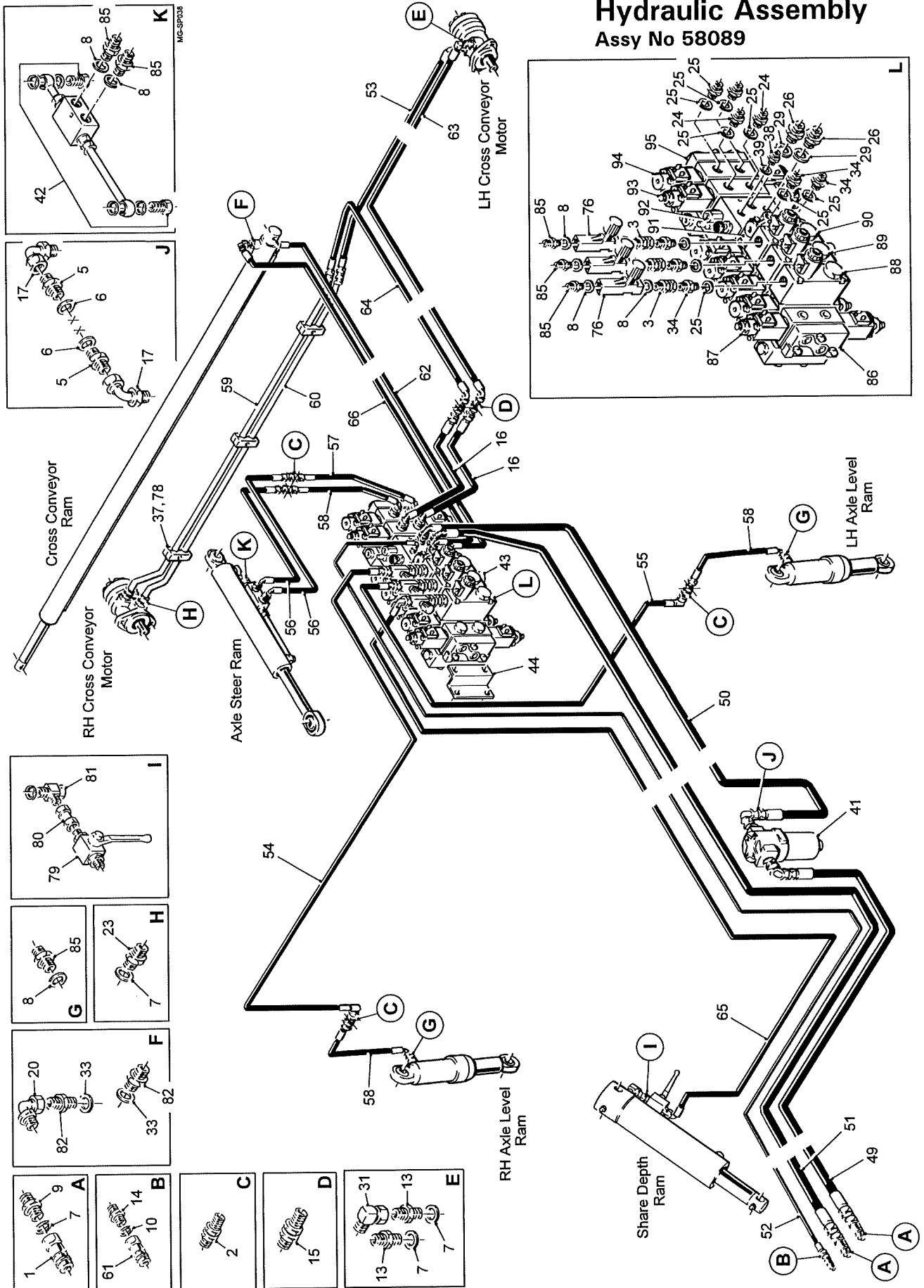
MEGASTAR GEN-2 SPARE PARTS

Guards and Side Panels

Assy No 58087

Item	Part No.	Description	Qty.	Remarks
1	43227	Edging Strip	1	Used with Vari-flow
2				
3	50047	Guard Handle	6	
4				
5	57195	Stainless Hinge	12	
6	57199	Lock Assembly	8	
7	57200	Gas Strut	2	
8	57219	Lock Arm	8	
9	57221	Foam Tape	25m	
10				
11	58026	Stainless Steel Wear Plate	2	
12	58027	Wear Plate Support	2	
13	58034C	Front Lower Panel LH	1	Prior to 2020 was 58034
14	58035C	Front Lower Panel RH	1	Prior to 2020 was 58035
15	58038	Guard Post	2	
16	58039	LH Axle Guard Post	1	
17	58040	RH Axle Guard Post	1	
18	58041	Guard 1 LH	1	
19	58042	Guard 1 RH	1	
20	58043	Guard 2 LH	1	
21	58044	Guard 2 RH	1	
22	58045	Guard 3 LH	1	
23	58046	Guard 3 RH	1	Used with Vari-flow
	58046A	Guard 3 RH	1	Used without Vari-flow
24	58097	Front Blanking Plate	2	Not used with boulder box
25	58098	Rear Blanking Plate	2	Not used with boulder box
26	58099	Rear Curtain Mounting	1	Not used with boulder box
27	58100	Pipe Tray	1	
28	58111	Gas Strut	2	
29	58112	Gas Strut	2	
30	58053	Gearbox Shaft Guard	2	
31	58054	Guard Support	2	
32	58133	Ø25 Plastic Insert	4	Not used with clod mat
33	58256	Access Panel	2	
34	58289	Cable Support	1	
35				
36				
37	RPGMRP016.02007	Gearbox Guard	1	
38	RPGMRP024.00178	Clamp Strip	1	Not used with boulder box
39	RPGMRP076.01816	Rear Curtain	1	Not used with boulder box
40	RPM224.303083	Stainless Steel Wear Panel	2	
41	RPM224.308206	Stainless Steel Wear Panel	2	
42	RPM225.302822	Centre Blanking Plate	2	Not used with boulder box
43				
44				
45	SS012009/015	Steel Spacer	12	
46				
47	-	8mm Allen Key	1	

Hydraulic Assembly Assy No 58089



3.15a

MEGASTAR GEN-2 SPARE PARTS

Hydraulic Assembly

Assy No 58089

Item	Part No.	Description	Qty.	Remarks
1	10140	1/2"BSP Male Quick Release Coupling	2	
2	10466	3/8"BSP Bulkhead Adaptor	4	
3	10128	3/8"BSP M F Swivel Adaptor	3	
4				
5	11115	3/4"BSP M M Adaptor	2	
6	11123	3/4"BSP Dowty Seal	2	
7	11124	1/2"BSP Dowty Seal	6	
8	11125	3/8"BSP Dowty Seal	10	
9	11295	1/2"BSPx3/4"BSP M M Adaptor	2	
10	11337	1/4"BSP Dowty Seal	1	
11				
12				
13	12315	1/2"BSP M M Adaptor	2	
14	12316	1/4"BSP M M Adaptor	1	
15	12321	1/2"BSP Bulkhead Adaptor	2	
16	12348	1/2"Hose Assembly (1000mm)	2	
17	12350	3/4"BSP M F Swept 90°Adaptor	2	
18				
19				
20	13189	3/8"BSP M F Compact 90°Adaptor	1	
21				
22				
23	27388	1/2"BSPxØ15 Pipe Stud Coupling	2	
24	27459	M18x1/2"BSP M M Adaptor	2	
25	27461	M18 Dowty Seal	9	
26	27904	M22x3/4"BSP M M Adaptor	2	
27				
28				
29	31167	M22 Dowty Seal	2	
30				
31	32475	1/2"BSP M F Compact 90°Adaptor	1	
32				
33	37104	M16 Dowty Seal	2	
34	37599	M18x3/8"BSP M M Adaptor	7	
35				
36				
37	41401	Pipe Clamp	3	
38	44207	M14x1/4"BSP M M Adaptor	1	
39	44208	M14 Dowty Seal	1	
40				
41	46859	Pressure Filter Assembly	1	Element only 37770/1
42	57115	Check Valve & Banjo Assembly	1	
43	58051	Valve Bank Assembly	1	(see list at end)
44	58079	Mounting Bracket	2	
45				
46				
47				
48				
49	60267	3/4"Hose Assembly (6070mm)	1	
50	60268	3/4"Hose Assembly (3200mm)	1	
51	60269	3/4"Hose Assembly (9100mm)	1	
52	60270	1/4"Hose Assembly (9050mm)	1	
53	60273	1/2"Hose Assembly (1970mm)	1	
54	60276	3/8"Hose Assembly (3560mm)	1	
55	60277	3/8"Hose Assembly (1760mm)	1	

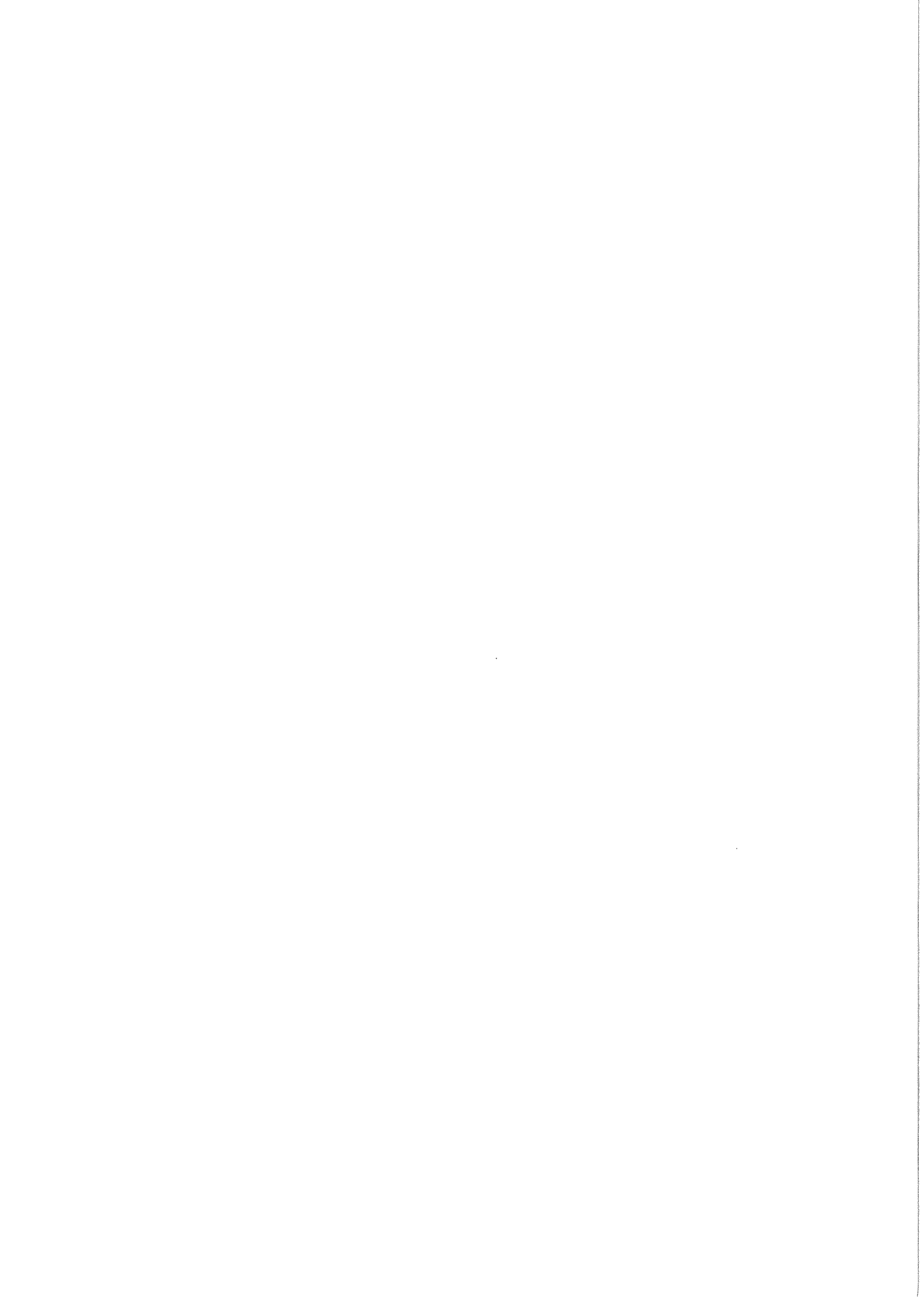
MEGASTAR GEN-2 SPARE PARTS

3.15b

Hydraulic Assembly

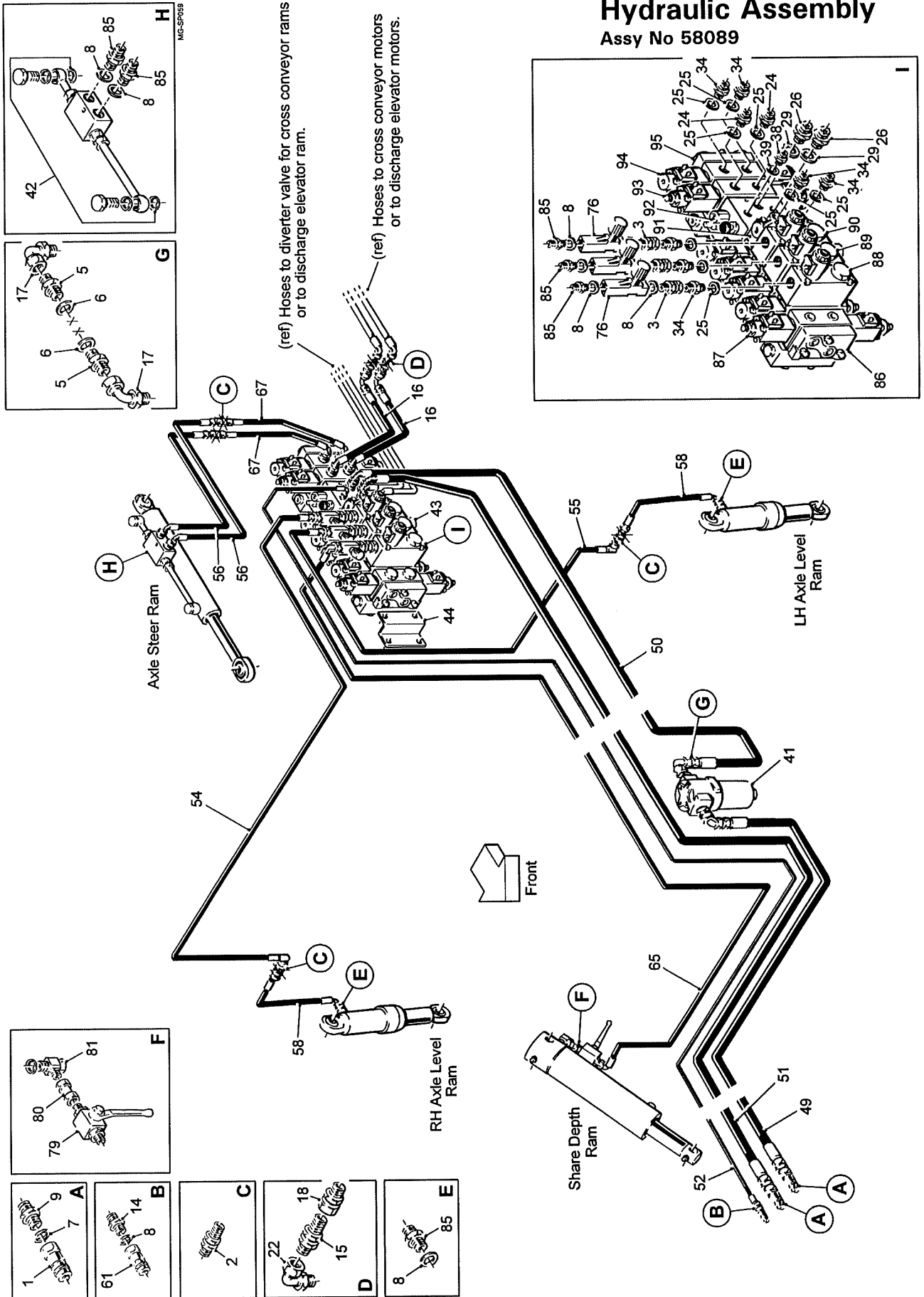
Assy No 58089

Item	Part No.	Description	Qty.	Remarks
56	60278	3/8"Hose Assembly (660mm)	2	
57	60279	3/8"Hose Assembly (760mm)	1	
58	60280	3/8"Hose Assembly (510mm)	3	
59	60284	Ø15mm Steel Pipe Assembly	1	
60	60285	Ø15mm Steel Pipe Assembly	1	
61	60286	1/4"BSP Male Quick Release Coupling	1	
62	60288	3/8"Hose Assembly (2970mm)	1	
63	60293	1/2"Hose Assembly (1900mm)	1	
64	60294	1/2"Hose Assembly (3700mm)	1	
65	60347	3/8"Hose Assembly (6000mm)	1	
66	60369	3/8"Hose Assembly (2050mm)	1	
67				
68				
69				
70				
71				
72				
73				
74				
75				
76	KA17102	3/8"BSP Adjustable Restrictor Valve	3	
77				
78	RPC654.308052	Pipe Clamp Plate	3	
79	RPGMB92.04031	Safety Lock Valve	1	
80	RPH522.100122	12L Double Standpipe Coupling	1	
81	RPH560.116122	M16xØ12 Pipe Banjo	1	
82	RPH700.170616	M16x3/8"BSP M M Adaptor	2	
83				
84				
85	UC31A	3/8"BSP M M Adaptor	7	
	58051	Valve Bank Assembly Consists Of:		
86	57085/2	End Plate	1	
87	57444	'Vari-Flow' Section	1	
88	57085/6	'Share Depth' Section	1	
89	57085/6	'LH Axle Level' Section	1	
90	57085/6	'RH Axle Level' Section	1	
91	57085/3	'Cross Conveyor Side-shift' Section	1	
92	46285/4	Inlet Section	1	
93	57085/5	'Cross Conveyor Motor' Section	1	
94	46285/10	'Axle Steer' Section	1	
95	57085/2	End Plate	1	



Machines from 2014

Hydraulic Assembly Assy No 58089



3.15a

MEGASTAR GEN-2 SPARE PARTS

Machines from 2014

Hydraulic Assembly

Assy No 58089

Item	Part No.	Description	Qty.	Remarks
1	10140	1/2"BSP Male Quick Release Coupling	2	
2	10466	3/8"BSP Bulkhead Adaptor	4	
3	10128	3/8"BSP M F Swivel Adaptor	3	
4				
5	11115	3/4"BSP M M Adaptor	2	
6	11123	3/4"BSP Dowty Seal	2	
7	11124	1/2"BSP Dowty Seal	2	
8	11125	3/8"BSP Dowty Seal	11	
9	11295	1/2"BSPx3/4"BSP M M Adaptor	2	
10	11337	1/4"BSP Dowty Seal	1	
11				
12				
13				
14	11336	1/4"x3/8"BSP M M Adaptor	1	Part No. was 12316
15	12321	1/2"BSP Bulkhead Adaptor	2	
16	12348	1/2"Hose Assembly (1000mm)	2	
17	12350	3/4"BSP M F Swept 90° Adaptor	2	
18	12602	1/2"BSP M F Swivel Adaptor	2	
19				
20				
21				
22	26086	1/2"BSP M F Swept 90° Adaptor	2	
23				
24	27459	M18x1/2"BSP M M Adaptor	2	
25	27461	M18 Dowty Seal	9	
26	27904	M22x3/4"BSP M M Adaptor	2	
27				
28				
29	31167	M22 Dowty Seal	2	
30				
31				
32				
33				
34	37599	M18x3/8"BSP M M Adaptor	7	
35				
36				
37				
38	44207	M14x1/4"BSP M M Adaptor	1	
39	44208	M14 Dowty Seal	1	
40				
41	46859	Pressure Filter Assembly	1	Element only 37770/1
42	57115	Check Valve & Banjo Assembly	1	
43	58051	Valve Bank Assembly	1	(see list at end)
44	58079	Mounting Bracket	2	
45				
46				
47				
48				
49	60267	3/4"Hose Assembly (6070mm)	1	
50	60268	3/4"Hose Assembly (3200mm)	1	
51	60269	3/4"Hose Assembly (9100mm)	1	
52	60270	1/4"Hose Assembly (9050mm)	1	
53				
54	60650	3/8"Hose Assembly (3260mm)	1	Part No. was 60276
55	60651	3/8"Hose Assembly (1460mm)	1	Part No. was 60277

MEGASTAR GEN-2 SPARE PARTS

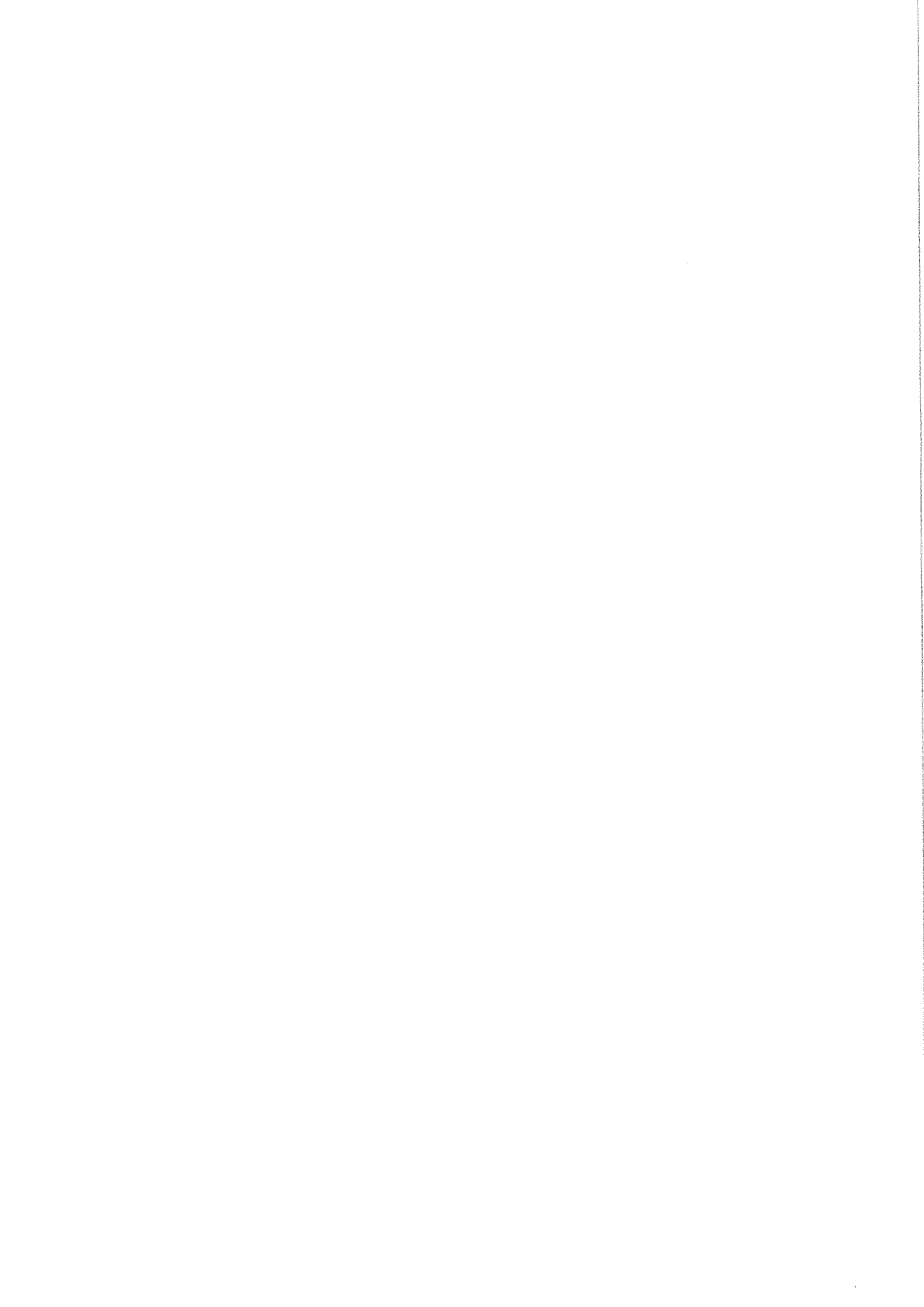
3.15b

Machines from 2014

Hydraulic Assembly

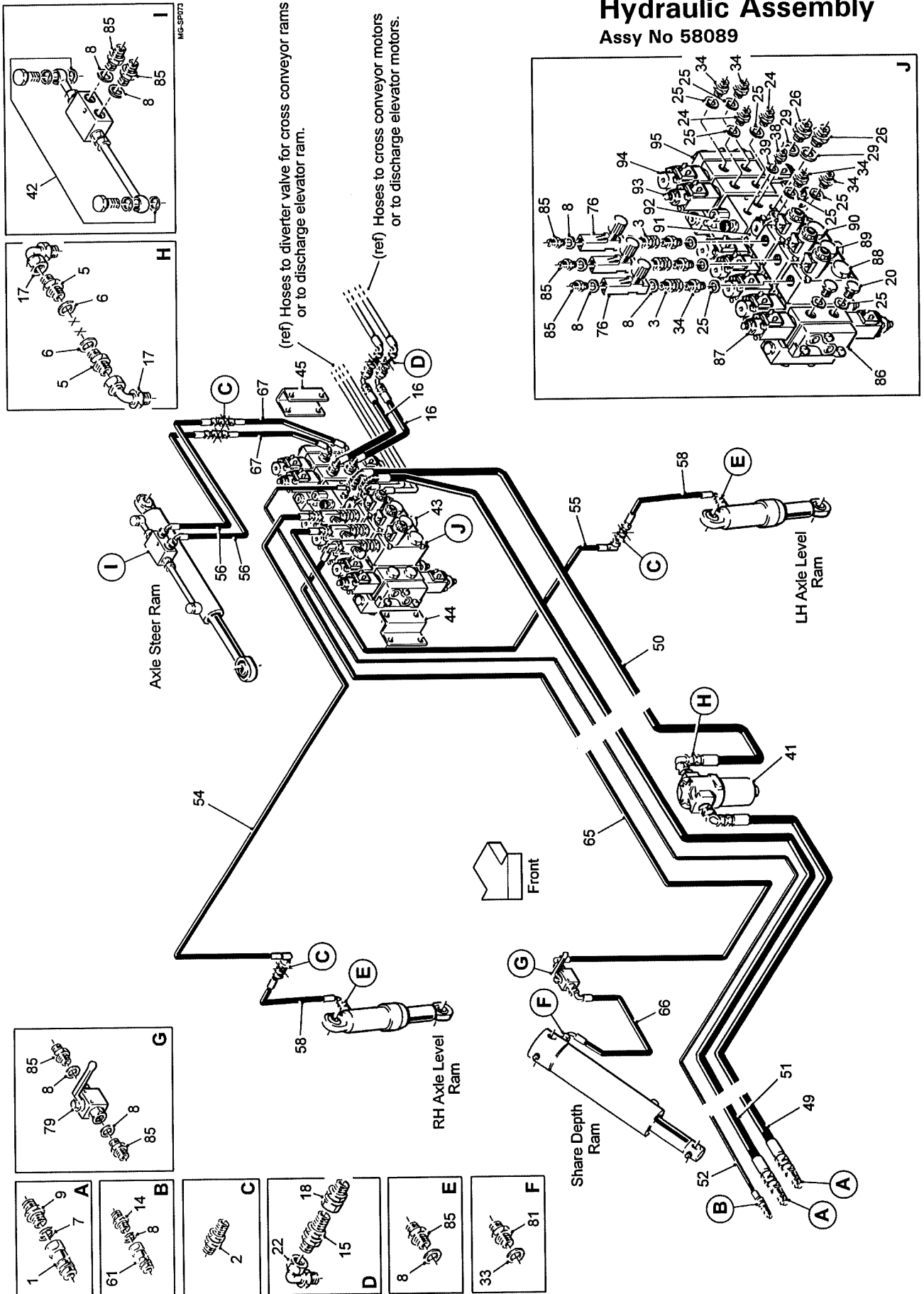
Assy No 58089

Item	Part No.	Description	Qty.	Remarks
56	60565	3/8"Hose Assembly (400mm)	2	Prior to 2017 was 60278
57				
58	60280	3/8"Hose Assembly (510mm)	2	
59				
60				
61	60166	3/8"BSP Male Quick Release Coupling	1	Part No. was 60286
62				
63				
64				
65	60347	3/8"Hose Assembly (6000mm)	1	
66				
67	60565	3/8"Hose Assembly (400mm)	2	
68				
69				
70				
71				
72				
73				
74				
75				
76	KA17102	3/8"BSP Adjustable Restrictor Valve	3	
77				
78				
79	RPGMB92.04031	Safety Lock Valve	1	
80	RPH522.100122	12L Double Standpipe Coupling	1	
81	RPH560.116122	M16xØ12 Pipe Banjo	1	
82				
83				
84				
85	UC31A	3/8"BSP M M Adaptor	7	
	58051	Valve Bank Assembly Consists Of:		
86	57085/2	End Plate	1	Part No. was 57085/3
87	57444	'Vari-Flow' Section	1	
88	57085/6	'Share Depth' Section	1	
89	57085/6	'LH Axle Level' Section	1	
90	57085/6	'RH Axle Level' Section	1	
91	58051/1	'Cross Conveyor Side-shift' Section	1	
92	46285/4	Inlet Section	1	
93	57085/5	'Cross Conveyor Motor' Section	1	
94	46285/10	'Axle Steer' Section	1	
95	57085/2	End Plate	1	



Machines from 2023

Hydraulic Assembly Assy No 58089



3.15a

MEGASTAR GEN-2 SPARE PARTS

Machines from 2023

Hydraulic Assembly

Assy No 58089

Item	Part No.	Description	Qty.	Remarks
1	10140	1/2"BSP Male Quick Release Coupling	2	
2	10466	3/8"BSP Bulkhead Adaptor	4	
3	10128	3/8"BSP M F Swivel Adaptor	3	
4				
5	11115	3/4"BSP M M Adaptor	2	
6	11123	3/4"BSP Dowty Seal	2	
7	11124	1/2"BSP Dowty Seal	2	
8	11125	3/8"BSP Dowty Seal	13	
9	11295	1/2"BSPx3/4"BSP M M Adaptor	2	
10	11337	1/4"BSP Dowty Seal	1	
11				
12				
13				
14	11336	1/4"x3/8"BSP M M Adaptor	1	
15	12321	1/2"BSP Bulkhead Adaptor	2	
16	12348	1/2"Hose Assembly (1000mm)	2	
17	12350	3/4"BSP M F Swept 90°Adaptor	2	
18	12602	1/2"BSP M F Swivel Adaptor	2	
19				
20	16454	M18 Blanking Plug	2	
21				
22	26086	1/2"BSP M F Swept 90°Adaptor	2	
23				
24	27459	M18x1/2"BSP M M Adaptor	2	
25	27461	M18 Dowty Seal	11	
26	27904	M22x3/4"BSP M M Adaptor	2	
27				
28				
29	31167	M22 Dowty Seal	2	
30				
31				
32				
33	37104	M16 Dowty Seal	1	
34	37599	M18x3/8"BSP M M Adaptor	7	
35				
36				
37				
38	44207	M14x1/4"BSP M M Adaptor	1	
39	44208	M14 Dowty Seal	1	
40				
41	46859	Pressure Filter Assembly	1	Element only 37770/1
42	57115	Check Valve & Banjo Assembly	1	
43	58051	Valve Bank Assembly	1	(see list at end)
44	58079B	Valve Mounting Bracket (front)	1	
45	58079C	Valve Mounting Bracket (rear)	1	
46				
47				
48				
49	71048	3/4"Hose Assembly (5450mm)	1	Was 60267
50	60268	3/4"Hose Assembly (3200mm)	1	
51	71049	3/4"Hose Assembly (8500mm)	1	Was 60269
52	71050	1/4"Hose Assembly (8450mm)	1	Was 60270
53				
54	60650	3/8"Hose Assembly (3260mm)	1	
55	60651	3/8"Hose Assembly (1460mm)	1	

MEGASTAR GEN-2 SPARE PARTS

3.15b

Machines from 2023

Hydraulic Assembly

Assy No 58089

Item	Part No.	Description	Qty.	Remarks
56	60565	3/8"Hose Assembly (400mm)	2	
57				
58	60280	3/8"Hose Assembly (510mm)	2	
59				
60				
61	60166	3/8"BSP Male Quick Release Coupling	1	
62				
63				
64				
65	71044	3/8"Hose Assembly (5350mm)	1	
66	52250	3/8"Hose Assembly (1000mm)	1	
67	60565	3/8"Hose Assembly (400mm)	2	
68				
69				
70				
71				
72				
73				
74				
75				
76	KA17102	3/8"BSP Adjustable Restrictor Valve	3	
77				
78				
79	DW202046270	Safety Lock Valve	1	
80				
81	RPH700.170616	M16x3/8"BSP M M Adaptor	1	
82				
83				
84				
85	UC31A	3/8"BSP M M Adaptor	9	
	58051	Valve Bank Assembly Consists Of:		
86	57085/2	End Plate	1	
87	57444	'Vari-Flow' Section	1	
88	57085/6	'Share Depth' Section	1	
89	57085/6	'LH Axle Level' Section	1	
90	57085/6	'RH Axle Level' Section	1	
91	58051/1	'Cross Conveyor Side-shift' Section	1	
92	46285/4	Inlet Section	1	
93	57085/5	'Cross Conveyor Motor' Section	1	
94	46285/10	'Axle Steer' Section	1	
95	57085/2	End Plate	1	



3.15a

MEGASTAR GEN-2 SPARE PARTS

Machines from Serial No MG-521

Hydraulic Assembly

Assy No 58089

Item	Part No.	Description	Qty.	Remarks
1	10140	1/2"BSP Male Quick Release Coupling	2	
2	10466	3/8"BSP Bulkhead Adaptor	4	
3	10128	3/8"BSP M F Swivel Adaptor	4	
4				
5	11115	3/4"BSP M M Adaptor	2	
6	11123	3/4"BSP Dowty Seal	2	
7	11124	1/2"BSP Dowty Seal	2	
8	11125	3/8"BSP Dowty Seal	9	
9	11295	1/2"BSPx3/4"BSP M M Adaptor	2	
10	11337	1/4"BSP Dowty Seal	1	
11				
12				
13				
14	11336	1/4"x3/8"BSP M M Adaptor	1	
15	12321	1/2"BSP Bulkhead Adaptor	2	
16	12348	1/2"Hose Assembly (1000mm)	2	
17	12350	3/4"BSP M F Swept 90° Adaptor	2	
18	12602	1/2"BSP M F Swivel Adaptor	2	
19				
20	16454	M18 Blanking Plug	2	
21				
22	26086	1/2"BSP M F Swept 90° Adaptor	2	
23				
24	27459	M18x1/2"BSP M M Adaptor	2	
25	27461	M18 Dowty Seal	11	
26	27904	M22x3/4"BSP M M Adaptor	2	
27				
28				
29	31167	M22 Dowty Seal	2	
30				
31				
32				
33	37104	M16 Dowty Seal	1	
34	37599	M18x3/8"BSP M M Adaptor	7	
35				
36				
37				
38	44207	M14x1/4"BSP M M Adaptor	1	
39	44208	M14 Dowty Seal	1	
40				
41	46859	Pressure Filter Assembly	1	Element only 37770/1
42				
43	61266	Valve Bank Assembly	1	(see list at end)
44	58079D	Valve Mounting Bracket (front)	1	
45	58079E	Valve Mounting Bracket (rear)	1	
46				
47				
48				
49	71048	3/4"Hose Assembly (5450mm)	1	
50	60268	3/4"Hose Assembly (3200mm)	1	
51	71049	3/4"Hose Assembly (8500mm)	1	
52	71050	1/4"Hose Assembly (8450mm)	1	
53				
54	60650	3/8"Hose Assembly (3260mm)	1	
55	60651	3/8"Hose Assembly (1460mm)	1	

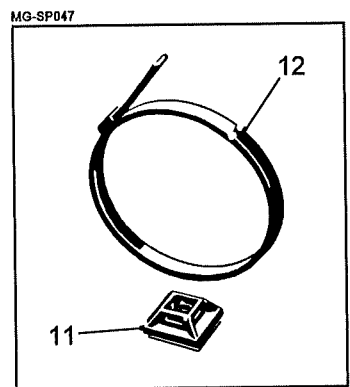
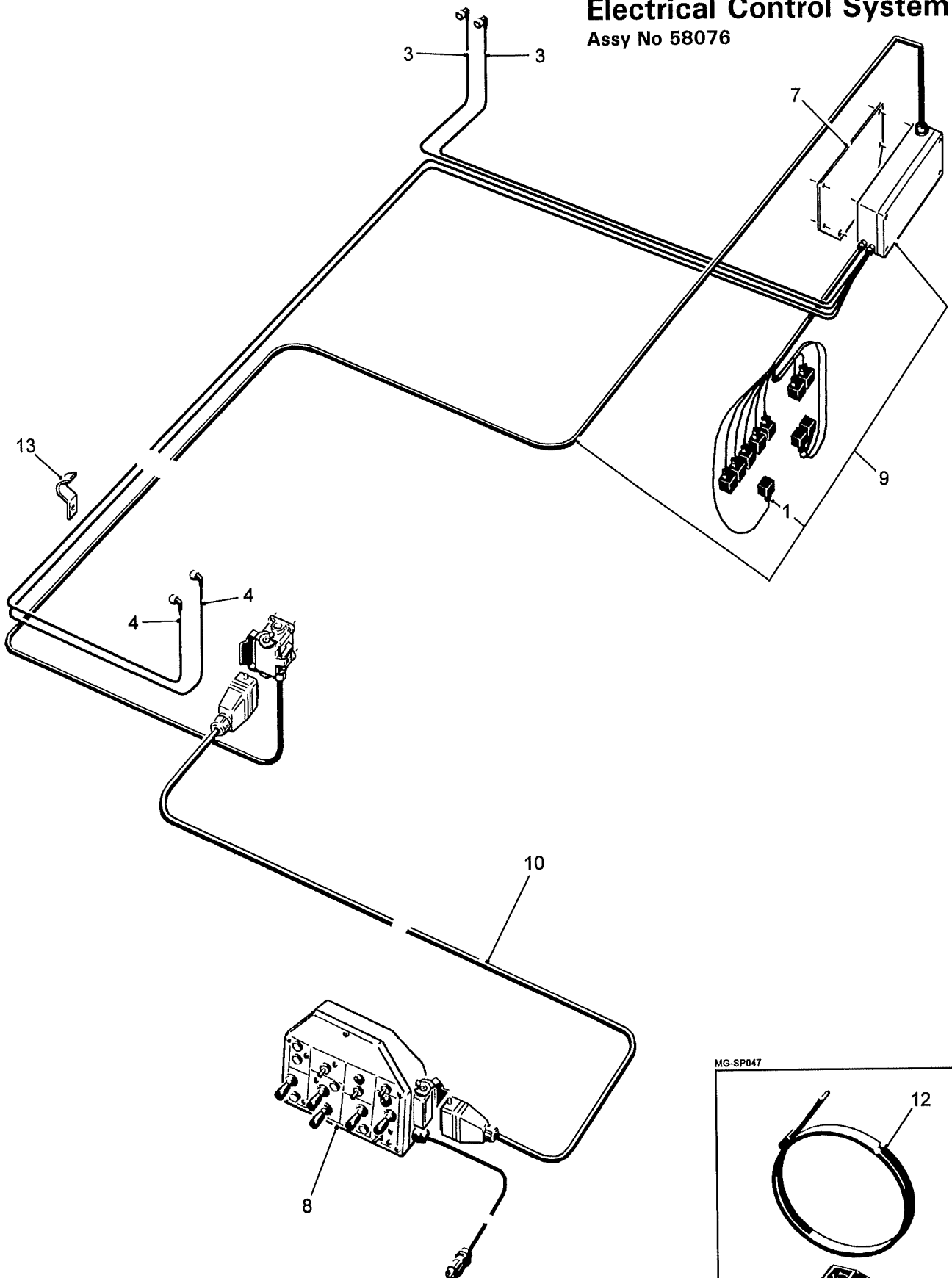
MEGASTAR GEN-2 SPARE PARTS**3.15b**

Machines from Serial No MG-521

Hydraulic Assembly**Assy No 58089**

Item	Part No.	Description	Qty.	Remarks
56	60565	3/8"Hose Assembly (400mm)	1	
57				
58	60280	3/8"Hose Assembly (510mm)	2	
59				
60				
61	60166	3/8"BSP Male Quick Release Coupling	1	
62				
63				
64				
65	71044	3/8"Hose Assembly (5650mm)	1	
66	52250	3/8"Hose Assembly (1000mm)	1	
67	60278	3/8"Hose Assembly (660mm)	3	
68				
69				
70				
71				
72				
73				
74				
75				
76	KA17102	3/8"BSP Adjustable Restrictor Valve	2	
77				
78				
79	DW202046270	Safety Lock Valve	1	
80				
81	RPH700.170616	M16x3/8"BSP M M Adaptor	1	
82				
83				
84				
85	UC31A	3/8"BSP M M Adaptor	7	
	61266	Valve Bank Assembly Consists Of:		
86	57085/2	End Plate	1	
87	57085/6	'RH Axle Level' Section	1	
88	57085/6	'LH Axle Level' Section	1	
89	58051/1	'Axle Steer' Section	1	
90	57085/7	'Share Depth' Section	1	
91	46285/10	'Conveyor Side Shift' Section	1	
92	46285/4	Inlet Section	1	
93	57085/5	'Cross Conveyor Motors' Section	1	
94				
95	57085/2	End Plate	1	

Electrical Control System
Assy No 58076

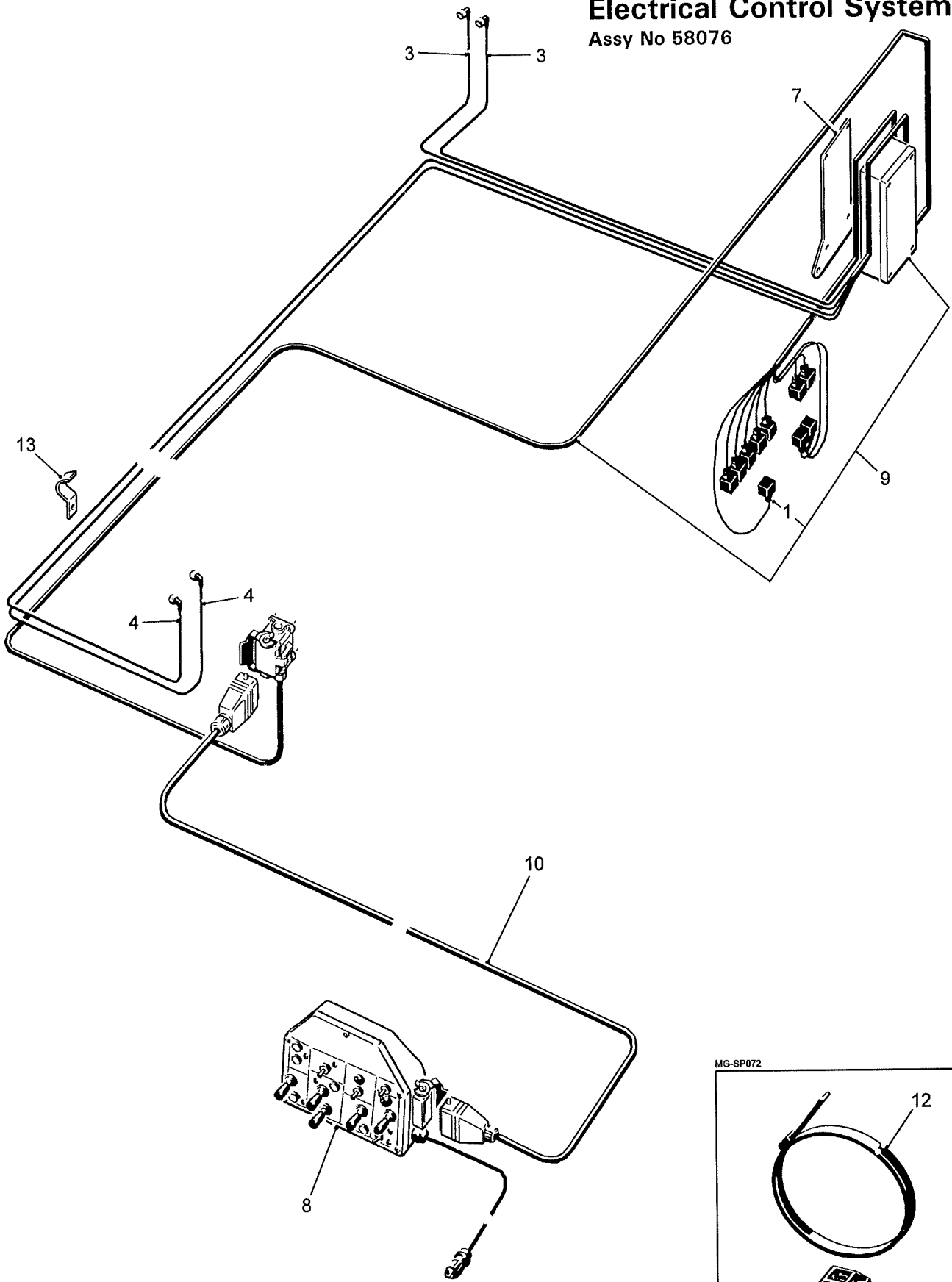


3.16a**MEGASTAR GEN-2 SPARE PARTS****Electrical Control System****Assy No 58076**

Item	Part No.	Description	Qty.	Remarks
1	27189	Valve Plug Only	10	
2				
3	32037/2	5m Sensor Cable c/w 90°Plug	2	
4	32037/4	10m Sensor Cable c/w 90°Plug	2	
5				
6				
7	58110	Junction Box Mounting Plate	1	
8	58157	Control Box Complete	1	
9	58159	Junction Box and Loom Complete	1	
10	58158	Control Box Loom Complete	1	
11	RPC618.303223	Cable Tie Mount	a/r	
12	RPC618.303224	Cable Tie	a/r	
13	RPC626.311691	Cable Clip	1	

Machines from 2023

Electrical Control System Assy No 58076



MG-SP072

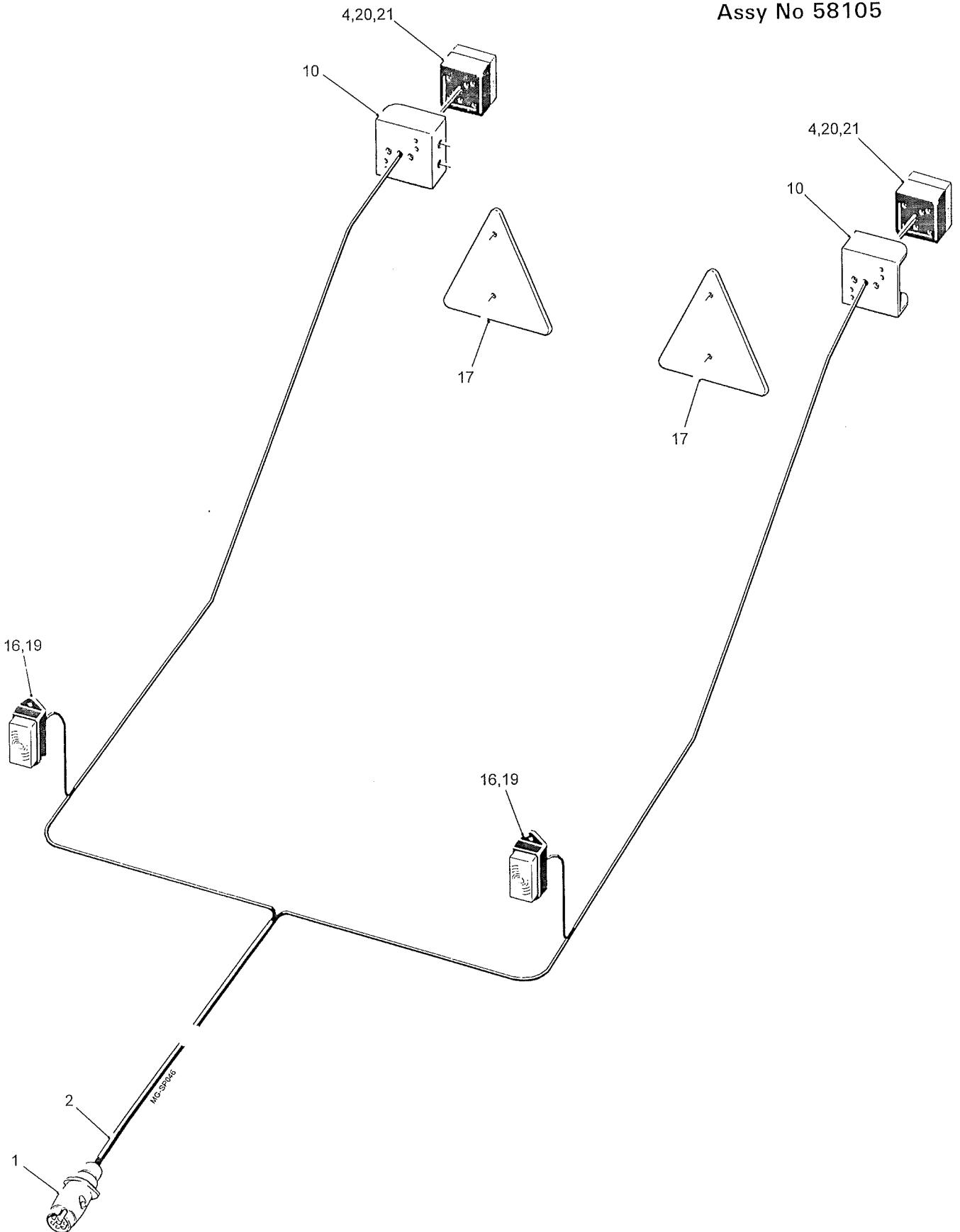
3.16a**MEGASTAR GEN-2 SPARE PARTS**

Machines from 2023

Electrical Control System**Assy No 58076**

Item	Part No.	Description	Qty.	Remarks
1	27189	Valve Plug Only	10	
2				
3	32037/2	5m Sensor Cable c/w 90°Plug	2	
4	32037/4	10m Sensor Cable c/w 90°Plug	2	
5				
6				
7	58110B	Junction Box Mounting Plate	1	
8	58157	Control Box Complete	1	
9	58159	Junction Box and Loom Complete	1	
10	58158	Control Box Loom Complete	1	
11	RPC618.303223	Cable Tie Mount	a/r	
12	RPC618.303224	Cable Tie	a/r	
13	RPC626.311691	Cable Clip	1	

Road Light Kit
Assy No 58105



3.17a

MEGASTAR GEN-2 SPARE PARTS

Road Light Kit

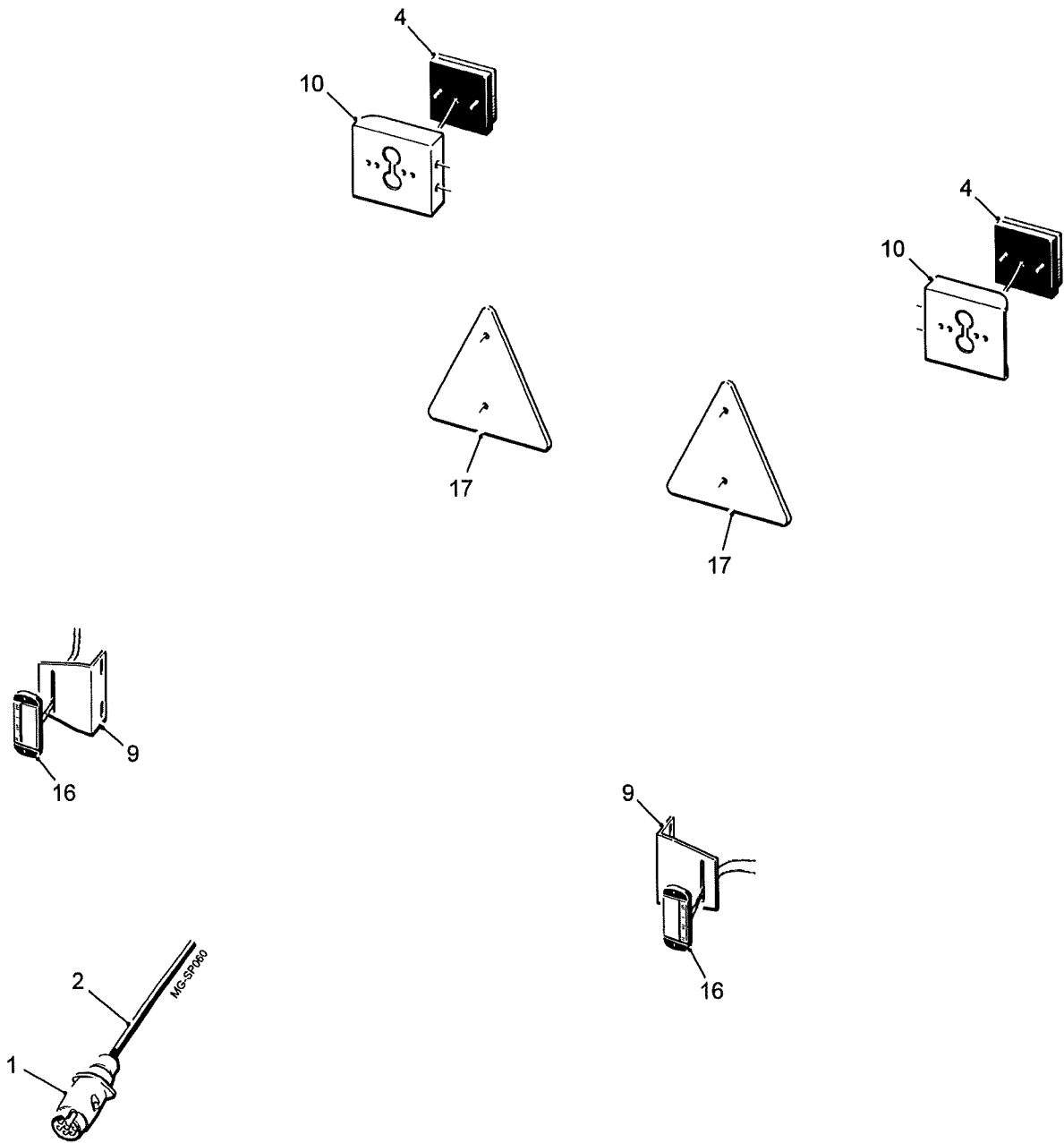
Assy No 58105

Item	Part No.	Description	Qty.	Remarks
1	10134	7 Pin Plug	1	
2	11369	7 Core Cable	3.5m	
3				
4	42088/4	Rear Light Assembly c/w Bulbs	2	
5				
6	51613	4 Core Cable	14m	(not shown)
7	52421	2 Core Cable	2m	(not shown)
8				
9				
10	57257	Rear Light Mounting Bracket	2	Used with boulder box only
11				
12				
13				
14	DWS570	Heat Shrink Sleeving	0.5m	(not shown)
15				
16	RPE258.307746	Front Light Assembly	2	
17	RPE272.307748	Red Triangle Reflector	2	
18				
19	RPS1	Front Light Bulb	2	
20	RPS2	Rear Stop Bulb	2	
21	RPS3	Rear Indicator Bulb	2	

Machines from 2013

Road Light Kit

Assy No 58105



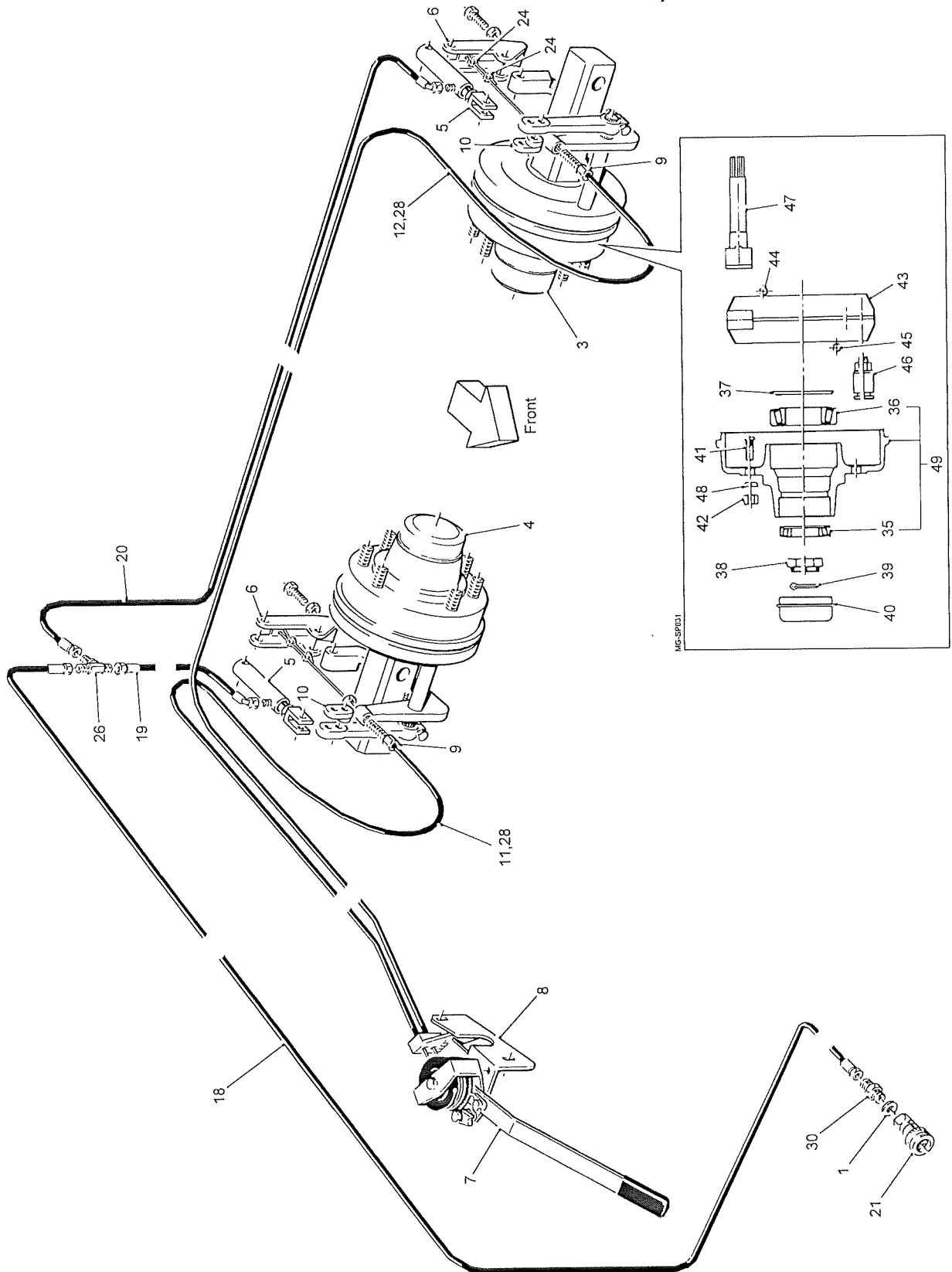
3.17a**MEGASTAR GEN-2 SPARE PARTS**

Machines from 2013

Road Light Kit**Assy No 58105**

Item	Part No.	Description	Qty.	Remarks
1	10134	7 Pin Plug	1	
2	11369	7 Core Cable	3.5m	
3				
4	62217A	LED Rear Light	2	Part No. was 62217
5				
6	51613	4 Core Cable	14m	(not shown)
7	52421	2 Core Cable	2m	(not shown)
8				
9	57222A	Light Plate	2	
10	57257A	Rear Light Mounting Bracket	2	Used with boulder box only
11				
12				
13				
14	DWS570	Heat Shrink Sleeving	0.5m	(not shown)
15				
16	62470	LED Front Light	2	
17	RPE272.307748	Red Triangle Reflector	2	

Braked Axle Assembly
Assy No 58094



3.18a

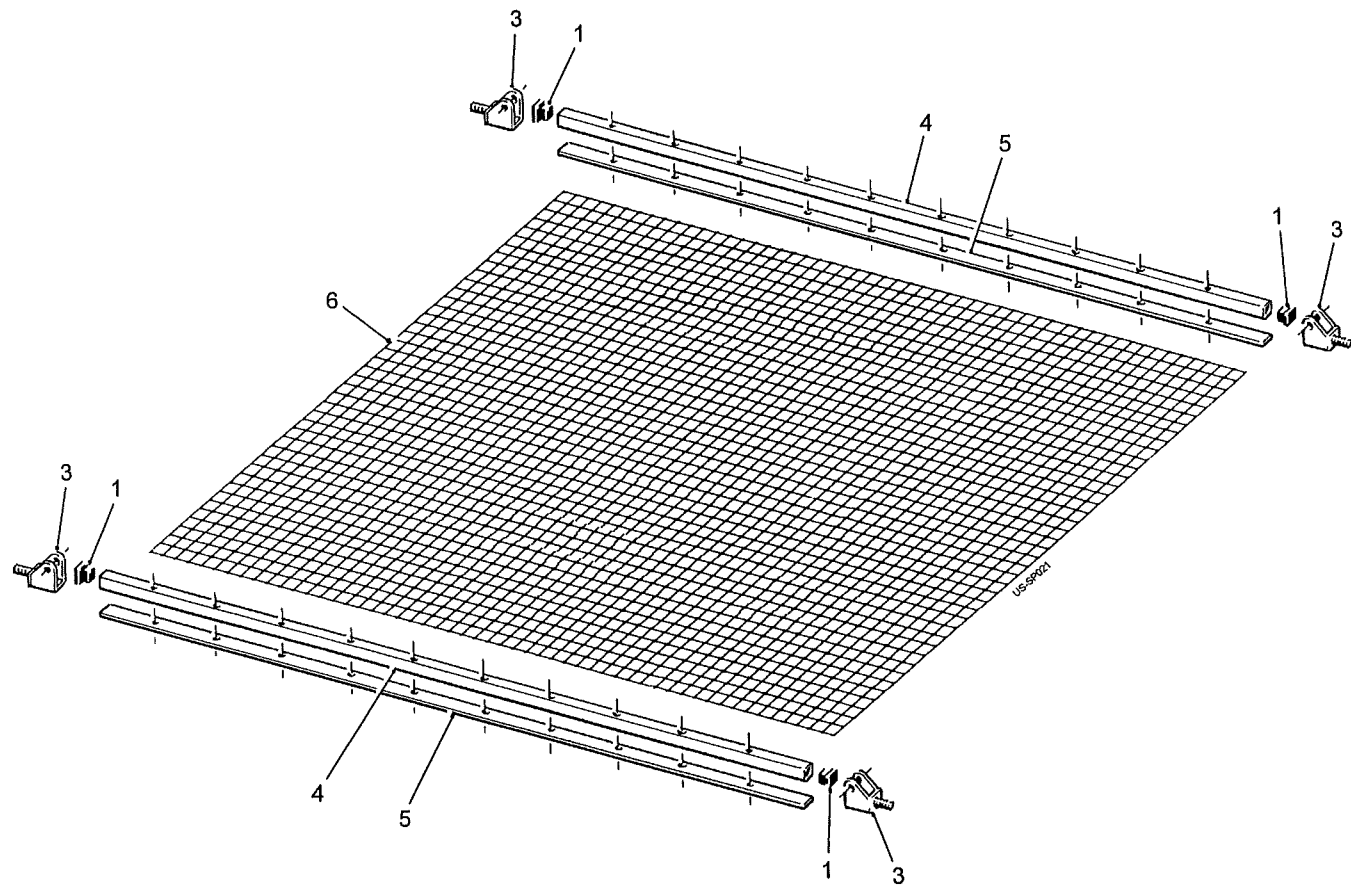
MEGASTAR GEN-2 SPARE PARTS

Braked Axle Assembly

Assy No 58094

Item	Part No.	Description	Qty.	Remarks
1	11124	1/2"BSP Dowty Seal	1	
2				
3	58049	LH Braked Axle Assembly	1	
4	58048	RH Braked Axle Assembly	1	
5	57345	Brake Ram	2	
6	57346	Brake Ram Arm	2	
7	57347	Handbrake Assembly	1	
8	57348	Handbrake Mounting	1	
9	57353	Cable Adjuster	2	
10	58050	Brake Arm Clevis	2	
11	-	Outer Cable (****mm)	1	
12	-	Outer Cable (****mm)	1	
13				
14				
15				
16				
17				
18	-	3/8"Hose Assembly (****mm)	1	
19	-	3/8"Hose Assembly (****mm)	1	
20	-	3/8"Hose Assembly (****mm)	1	
21	60342	1/2"BSP Trail Brake Carrier	1	
22				
23				
24	DWS486	Ø4 Wire Rope Grip	4	
25				
26	SPCL597	3/8"BSP M M M Tee	1	
27				
28	-	Inner Cable	**m	
29				
30	UC25	1/2"BSPx3/8"BSP M M Adaptor	1	
31				
32				
33				
34				
35	RPB214.302090	Outer Bearing	1	
36	RPB214.302120	Inner Bearing	1	
37	-	Retaining Ring	1	
38	-	Castellated Nut	1	
39	-	Split Pin	1	
40	-	Hub Cap	1	
41	13208	Wheel Stud	8	
42	13209	Wheel Nut	8	
43	-	Shoe with Lining	2	
44	-	Upper Brake Shoe Return Spring	1	
45	-	Lower Brake Shoe Return Spring	1	
46	-	Shoe Anchor Pin	1	
47	-	Camshaft	1	
48	-	Spring Washer	8	
49	-	Hub c/w Bearings	1	

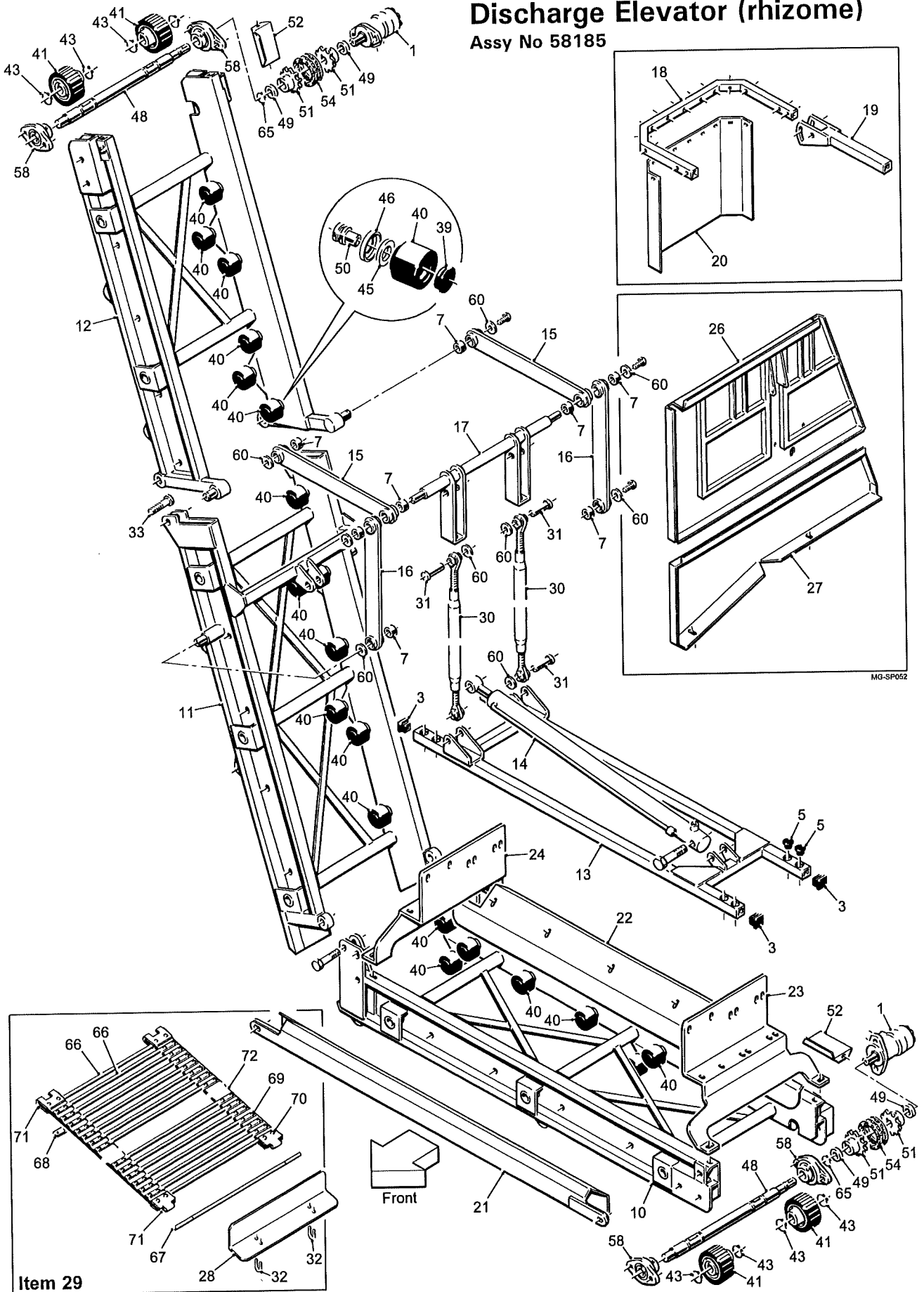
Top Mesh Cover Kit
Assy No 58174



3.19a**MEGASTAR GEN-2 SPARE PARTS****Top Mesh Cover Kit****Assy No 58174**

Item	Part No.	Description	Qty.	Remarks
1	37753	Plastic Insert (30x30)	4	
2				
3	57289	Mesh Guard Support	4	
4	58171	Mounting Bar	2	
5	58172	Clamp Strip	2	
6	RPC700.311611	Mesh Guard	1	

Discharge Elevator (rhizome) Assy No 58185

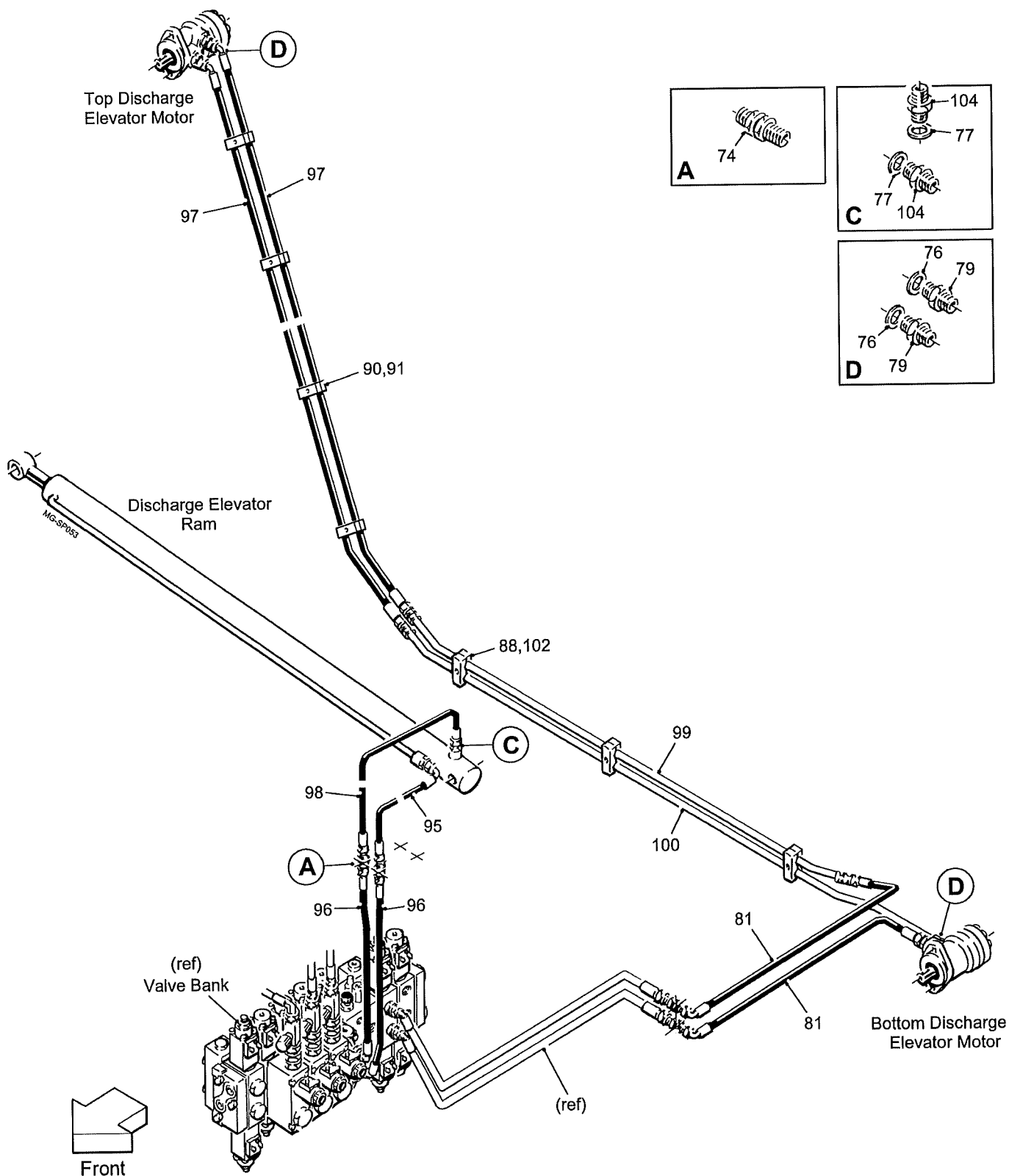


3.20a

MEGASTAR GEN-2 SPARE PARTS

Discharge Elevator (rhizome)

Assy No 58185



MEGASTAR GEN-2 SPARE PARTS

3.20b

Discharge Elevator (rhizome)

Assy No 58185

Item	Part No.	Description	Qty.	Remarks
1	11201	Hydraulic Motor	2	
2				
3	27159	40x40 Plastic Insert	4	
4				
5	37391	Plasic Insert	8	
6				
7	57129	Plastic Bush	8	
8				
9				
10	58186	Elevator Bottom Section	1	
11	58187	Elevator Centre Section	1	
12	58188	Elevator Top Section	1	
13	58189	Ram Mounting Frame	1	
14	58190	Hydraulic Ram	1	
15	58191	Upper Link (long)	2	
16	58192	Lower Link (short)	2	
17	58193	Support Bar	1	
18	58194	Deflector Mounting	1	
19	58195	Deflector Mounting Arm	2	
20	58196	Deflector Rubber	1	
21	58197	Front Deflector	1	
22	58198	Rear Deflector	1	
23	58199	LH Support Plate	1	
24	58200	RH Support Plate	1	
25				
26	58202	RH Rear Guard Door	1	
27	58203	Guard Panel	1	
28	58204	Web Flight (@ 28mm pitch)	25	every 17th rod
	58204	Web Flight (@ 20mm pitch)	27	every 22nd rod
29	58205	28mm Pitch Web Assembly	1	(see list at end)
	58205A	20mm Pitch Web Assembly	1	(see list at end)
30	58206	Top Link Assembly	2	
31	58207	Top Link Pin	4	
32	58208	'U' Bolt	120	
33	58277	Machined Bolt	2	
34				
35				
36				
37				
38				
39	RPC620.303070	Cap	42	
40	RPC700.300148	Ø75 Plain Roller c/w Bearings	42	
41	RPC700.301543	Ø132 Drive Roller	4	
42				
43	RPF200.035250	Ø35 External Circlip	8	
44				
45	RPGM070.00446	Felt Seal Ring	42	
46	RPGM089.00565	Roller Shield	42	
47				
48	RPM162.304844	Drive Shaft	2	
49	RPM176.303034	Spacer	4	
50	RPM180.303071	Pivot Bush	42	
51	RPM182.303035	12T 3/4"Pitch Sprocket	4	
52	RPM206.304847	Cover	2	
53				

3.20c

MEGASTAR GEN-2 SPARE PARTS

Discharge Elevator (rhizome)

Assy No 58185

Item	Part No.	Description	Qty.	Remarks
54	RPT738.600012	3/4"Pitch Duplex Chain	2	
55				
56				
57				
58	SFT30	Bearing	4	
59				
60	SS040011/003	Steel Spacer	10	
61				
62				
63				
64				
65	W0166	Ø30 External Circlip	2	
	58205	28mm Pitch Web Assy Consists Of:		
66	RPM222.304121	Web Rod	423	
67	RPM222.101008	Joining Rod	1	
68	RPGM019.00155	Clamp Plate	1140	
69	RPF240.150220	Web Bar Rivet	2280	
70	RPF240.150250	Connector Rivet	16	
71	RPM419.252824	Joining Clip (28mm pitch)	2 pair	
72	-	Web Belt	2	
73				
	58205A	20mm Pitch Web Assy Consists Of:		
66	RPM222.304121	Web Rod	593	
67	RPW300.303144A4	Joining Rod	1	
68	RPGM019.00155	Clamp Plate	1186	
69	RPF240.150220	Web Bar Rivet	2372	
70	RPW300.303144A7	Connector Rivet	16	
71	RPW300.303144A5	Male Joining Clip (20mm pitch)	2	
	RPW300.303144A6	Female Joining Clip (20mm pitch)	2	
72	-	Web Belt	2	
73				
		Hydraulic Components Consist Of:		
74	10466	3/8"BSP Bulkhead Adaptor	2	
75				
76	11124	1/2"BSP Dowty Seal	4	
77	11125	3/8"BSP Dowty Seal	2	
78				
79	12315	1/2"BSP M M Adaptor	3	
80				
81	12348	1/2"Hose Assembly (1000mm)	2	
82				
83				
84				
85				
86				
87				
88	41401	Pipe Clamp (15-15)	3 pair	
89				
90	57224	Pipe Clamp (22-22)	7 pair	
91	57225	Clamp Plate	7	
92				

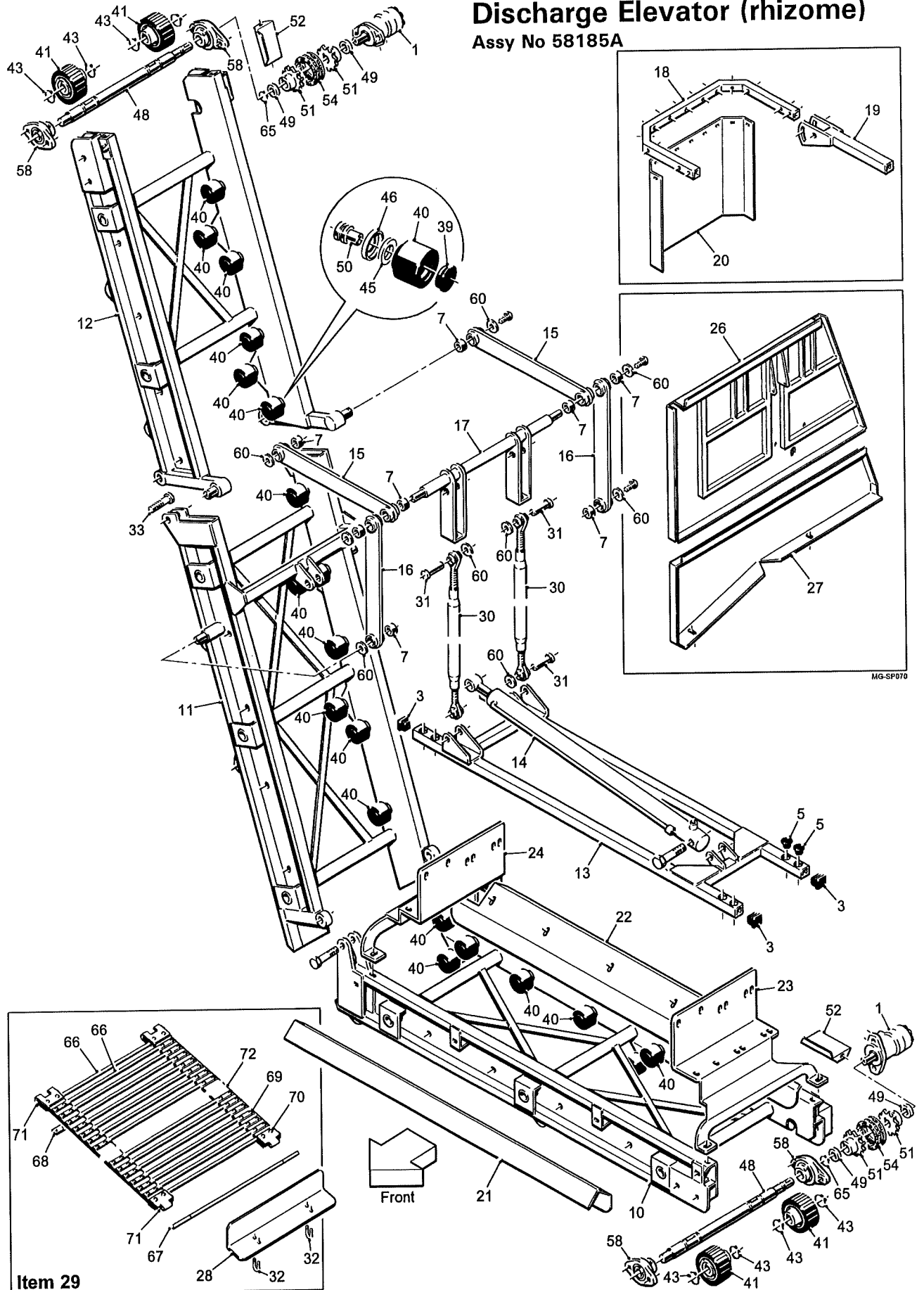
MEGASTAR GEN-2 SPARE PARTS**3.20d****Discharge Elevator (rhizome)****Assy No 58185**

Item	Part No.	Description	Qty.	Remarks
93				
94				
95	60278	3/8"Hose Asembly (660mm)	1	
96	60279	3/8"Hose Assembly (760mm)	2	
97	60427	1/2"Hose Assembly (4400mm)	2	
98	60554	3/8"Hose Assembly (600mm)	1	
99	60555	Steel Pipe Assembly (short)	1	
100	60556	Steel Pipe Assembly (long)	1	
101				
102	RPC654.308052	Clamp Plate	3	
103				
104	UC31A	3/8"BSP M M Adaptor	2	



Machines from 2020

Discharge Elevator (rhizome) Assy No 58185A



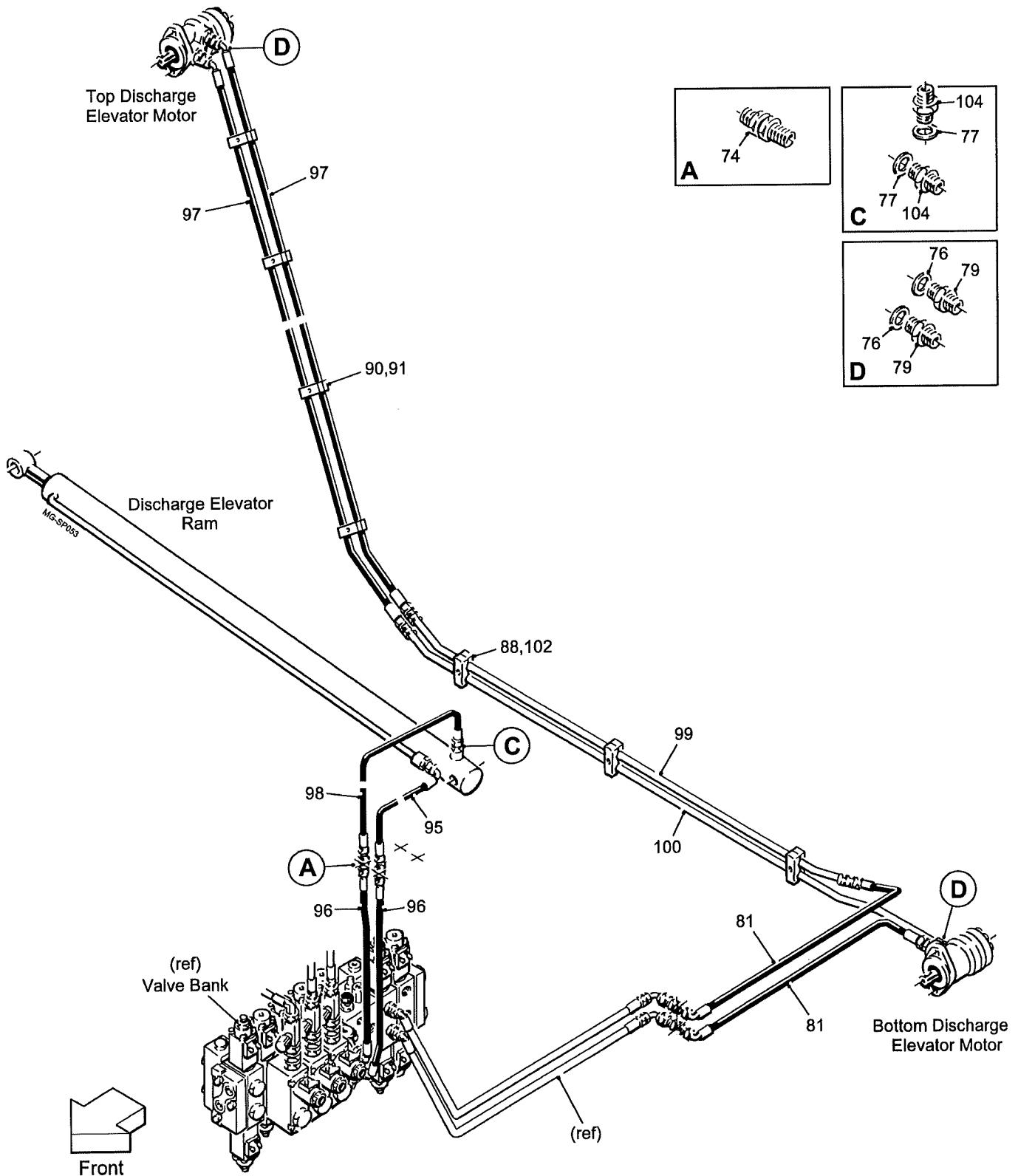
3.20a

MEGASTAR GEN-2 SPARE PARTS

Machines from 2020

Discharge Elevator (rhizome)

Assy No 58185A



MEGASTAR GEN-2 SPARE PARTS

3.20b

Machines from 2020

Discharge Elevator (rhizome)

Assy No 58185A

Item	Part No.	Description	Qty.	Remarks
1	11201	Hydraulic Motor	2	
2				
3	27159	40x40 Plastic Insert	4	
4				
5	37391	Plasic Insert	8	
6				
7	57129	Plastic Bush	8	
8				
9				
10	58186A	Elevator Bottom Section	1	
11	58187	Elevator Centre Section	1	
12	58188	Elevator Top Section	1	
13	58189	Ram Mounting Frame	1	
14	58190	Hydraulic Ram	1	
15	58191	Upper Link (long)	2	
16	58192	Lower Link (short)	2	
17	58193	Support Bar	1	
18	58194	Deflector Mounting	1	
19	58195	Deflector Mounting Arm	2	
20	58196	Deflector Rubber	1	
21	58285	Front Panel	1	
22	58198	Rear Deflector	1	
23	58199A	LH Support Plate	1	
24	58200A	RH Support Plate	1	
25				
26	58202	RH Rear Guard Door	1	
27	58203	Guard Panel	1	
28	58204	Web Flight (@ 28mm pitch)	25	every 17th rod
	58204	Web Flight (@ 20mm pitch)	27	every 22nd rod
29	58205	28mm Pitch Web Assembly	1	(see list at end)
	58205A	20mm Pitch Web Assembly	1	(see list at end)
30	58206	Top Link Assembly	2	
31	58207	Top Link Pin	4	
32	58208	'U' Bolt	120	
33	58277	Machined Bolt	2	
34				
35				
36				
37				
38				
39	RPC620.303070	Cap	42	
40	RPC700.300148	Ø75 Plain Roller c/w Bearings	42	
41	RPC700.301543	Ø132 Drive Roller	4	
42				
43	RPF200.035250	Ø35 External Circlip	8	
44				
45	RPGM070.00446	Felt Seal Ring	42	
46	RPGM089.00565	Roller Shield	42	
47				
48	RPM162.304844	Drive Shaft	2	
49	RPM176.303034	Spacer	4	
50	RPM180.303071	Pivot Bush	42	
51	RPM182.303035	12T 3/4"Pitch Sprocket	4	
52	RPM206.304847	Cover	2	
53				

3.20c

MEGASTAR GEN-2 SPARE PARTS

Machines from 2020

Discharge Elevator (rhizome)

Assy No 58185A

Item	Part No.	Description	Qty.	Remarks
54	RPT738.600012	3/4"Pitch Duplex Chain	2	
55				
56				
57				
58	SFT30	Bearing	4	
59				
60	SS040011/003	Steel Spacer	10	
61				
62				
63				
64				
65	W0166	Ø30 External Circlip	2	
	58205	28mm Pitch Web Assy Consists Of:		
66	RPM222.304121	Web Rod	423	
67	RPM222.101008	Joining Rod	1	
68	RPGM019.00155	Clamp Plate	1140	
69	RPF240.150220	Web Bar Rivet	2280	
70	RPF240.150250	Connector Rivet	16	
71	RPM419.252824	Joining Clip (28mm pitch)	2 pair	
72	-	Web Belt	2	
73				
	58205A	20mm Pitch Web Assy Consists Of:		
66	RPM222.304121	Web Rod	593	
67	RPW300.303144A4	Joining Rod	1	
68	RPGM019.00155	Clamp Plate	1186	
69	RPF240.150220	Web Bar Rivet	2372	
70	RPW300.303144A7	Connector Rivet	16	
71	RPW300.303144A5	Male Joining Clip (20mm pitch)	2	
	RPW300.303144A6	Female Joining Clip (20mm pitch)	2	
72	-	Web Belt	2	
73				
		Hydraulic Components Consist Of:		
74	10466	3/8"BSP Bulkhead Adaptor	2	
75				
76	11124	1/2"BSP Dowty Seal	4	
77	11125	3/8"BSP Dowty Seal	2	
78				
79	12315	1/2"BSP M M Adaptor	3	
80				
81	12348	1/2"Hose Assembly (1000mm)	2	
82				
83				
84				
85				
86				
87				
88	41401	Pipe Clamp (15-15)	3 pair	
89				
90	57224	Pipe Clamp (22-22)	7 pair	
91	57225	Clamp Plate	7	
92				

MEGASTAR GEN-2 SPARE PARTS**3.20d**

Machines from 2020

Discharge Elevator (rhizome)**Assy No 58185A**

Item	Part No.	Description	Qty.	Remarks
93				
94				
95	60278	3/8"Hose Asembly (660mm)	1	
96	60279	3/8"Hose Assembly (760mm)	2	
97	60427	1/2"Hose Assembly (4400mm)	2	
98	60554	3/8"Hose Assembly (600mm)	1	
99	60555	Steel Pipe Assembly (short)	1	
100	60556	Steel Pipe Assembly (long)	1	
101				
102	RPC654.308052	Clamp Plate	3	
103				
104	UC31A	3/8"BSP M M Adaptor	2	