

# CONTENTS

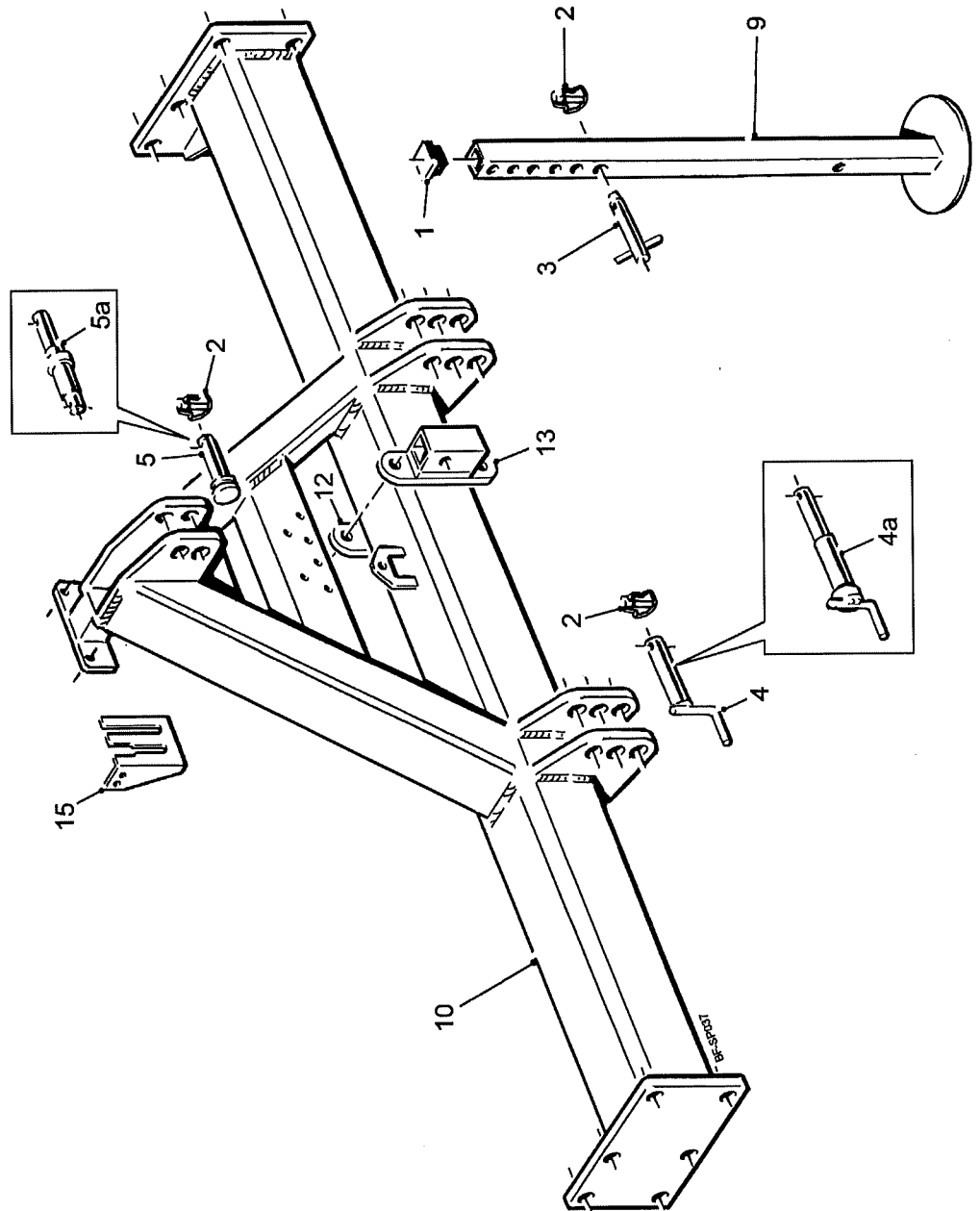
## BX SERIES BEDFORMER SPARE PARTS

2-Bodied and 3-Bodied Frame Assemblies	2.1
4-Bodied Folding Frame Assembly	2.2
Furrower Leg Assemblies	2.3
Standard Furrower Assembly	2.4
Convex Furrower Assembly	2.4
4-Bodied Parallel Linkage Assembly	2.5
4-Bodied Depth Wheels (manual folding)	2.6
2-Bodied Disc/Tine Markers (used with outrigger arms)	2.7
2&4-Bodied Disc/Tine Markers (used without outrigger arms)	2.8
Subsoiler Assembly	2.9
Bed Loosening Tines	2.10
2-Bodied Bed Loosening Tine Brackets	2.11
4-Bodied Bed Loosening Tine Brackets	2.12
2-Bodied Auto-reset Hydraulics	2.13
3-Bodied Auto-reset Hydraulics	2.14
4-Bodied Auto-reset Hydraulics	2.15
4-Bodied Road Lighting Kit (machines prior to 2024)	2.17
2-Bodied Outrigger Arms	2.18
Standard Furrower Facing Kit	2.19
Convex Body Extension Kit	2.20
Powavator/harrow Mounting Frames	2.21
3-Bodied Folding Frame Assembly	2.22
3-Bodied Bed Loosening Tine Brackets	2.23
3-Bodied Road Lighting Kit (machines prior to 2024)	2.24
3 & 4-Bodied Road Lighting Kit (machines from 2024)	2.25
Square Sided Furrower Assembly	2.26
4-Bodied Hydraulics (with combined fold-up rams)	2.27
4-Bodied Hydraulics (with independent fold-up rams)	2.28
3-Bodied Hydraulics (with combined fold-up rams)	2.29
4-Bodied Depth Wheels (hydraulic folding)	2.30

**Note:** When using the following pages to order replacement parts, please quote the full serial number of your machine.



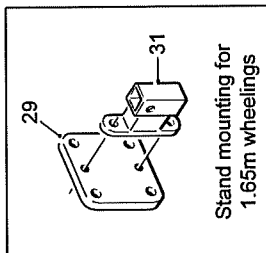
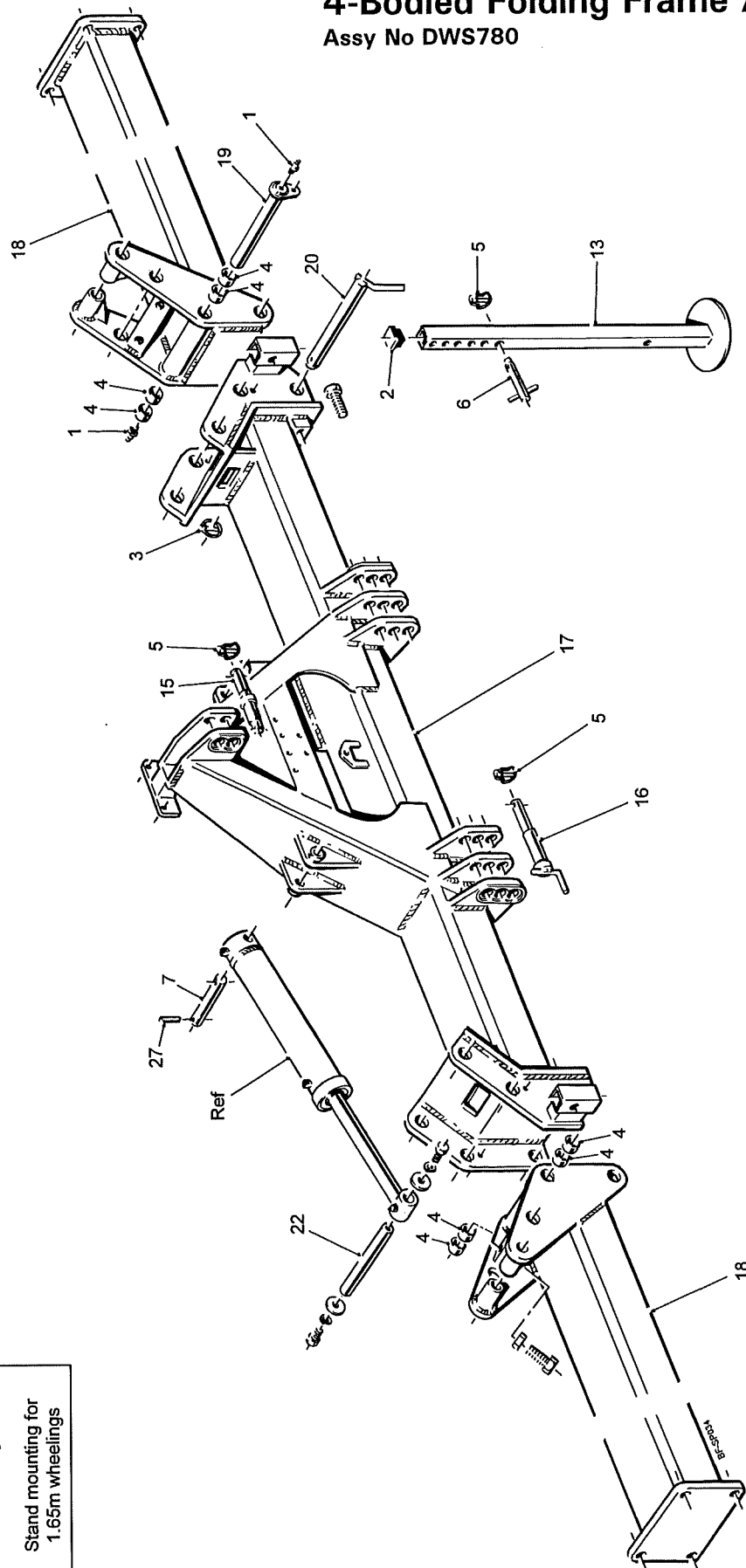
**2-Bodied and 3-Bodied Frame Assemblies**



**2.1a****BX SERIES BEDFORMER SPARE PARTS****2-Bodied and 3-Bodied Frame Assemblies**

Item	Part No.	Description	Qty.	Remarks
1	DW208044090	Plastic Insert (2"x2")	1	
2	DW50934	Clip Pin	3	
3	DW650247	Stand Pin	1	
4	DW800186	Bottom Link Pin (CAT 2)	2	
4a	DWS415	Bottom Link Pin (CAT 2&3)	2	
5	DW305098	Top Link Pin (CAT 2)	1	
5a	DWS414	Top Link Pin (CAT 2&3)	1	
6				
7				
8				
9	DW801201	Stand	1	
10	DWS823	2 Bodied Frame (CAT 2)	1	
	DWS693	3-Bodied Frame (CAT 2&3)	1	
	DWS943	2 Bodied Frame (CAT 2&3)	1	
11				
12	DWS134	Clamp Plate	1	
13	DWS925	Stand Mounting Bracket	1	
14				
15	DWS1336	Hose Carrier	1	

**4-Bodied Folding Frame Assembly**  
Assy No DWS780



## 2.2a

## BX SERIES BEDFORMER SPARE PARTS

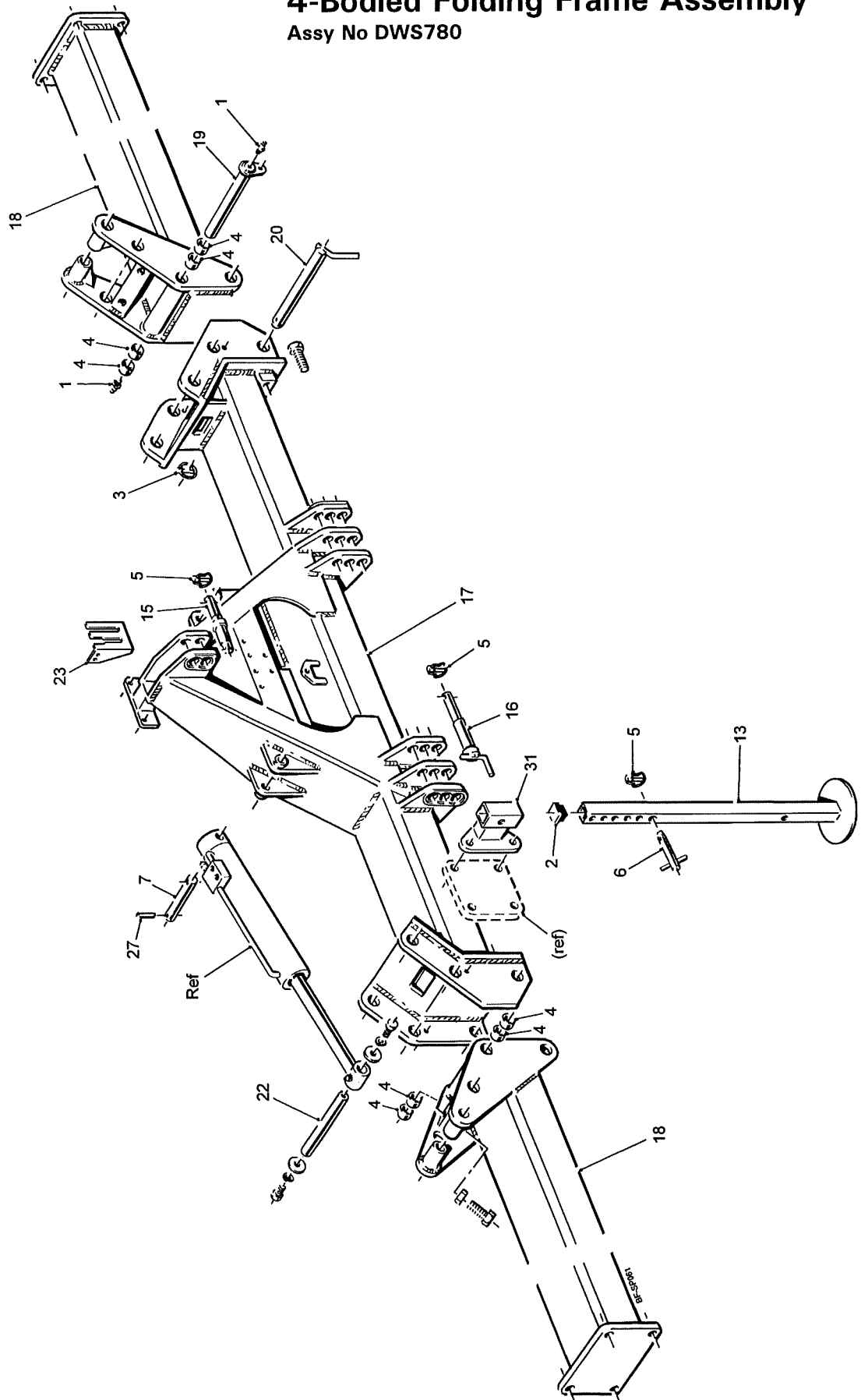
## 4-Bodied Folding Frame Assembly

Assy No DWS780

Item	Part No.	Description	Qty.	Remarks
1	DW202030870	M6 Grease Nipple	4	
2	DW208044090	Plastic Insert (2"x2")	2	
3	DW208092100	Linch Pin	2	
4	DW254044203	Bush	8	Prior to 2011 Qty was x4
5	DW50934	Clip Pin	5	
6	DW650247	Stand Pin	2	
7	DWS937	Ram Pin	2	Part No. was DW802559
8				
9				
10				
11				
12				
13	DW801201	Stand	2	
14				
15	DWS414	Top Link Pin (CAT 2&3)	1	
16	DWS415	Bottom Link Pin (CAT 2&3)	2	
17	DWS737	4 Bodied Frame	1	
18	DWS738	Side Arm	2	
19	DWS742	Pivot Pin	2	
20	DWS743	Locking Pin	2	
21				
22	DWS774	Ram Pin	2	
23				
24				
25				
26				
27	22067008/040	Ø8x40 Roll Pin	2	
28				
29	DWS1348	Flange Plate	2	1.65m wheelings only
30				
31	65176	Stand Mounting	2	1.65m wheelings only

Machines from 2021

**4-Bodied Folding Frame Assembly**  
Assy No DWS780



**2.2a****BX SERIES BEDFORMER SPARE PARTS**

Machines from 2021

**4-Bodied Folding Frame Assembly**

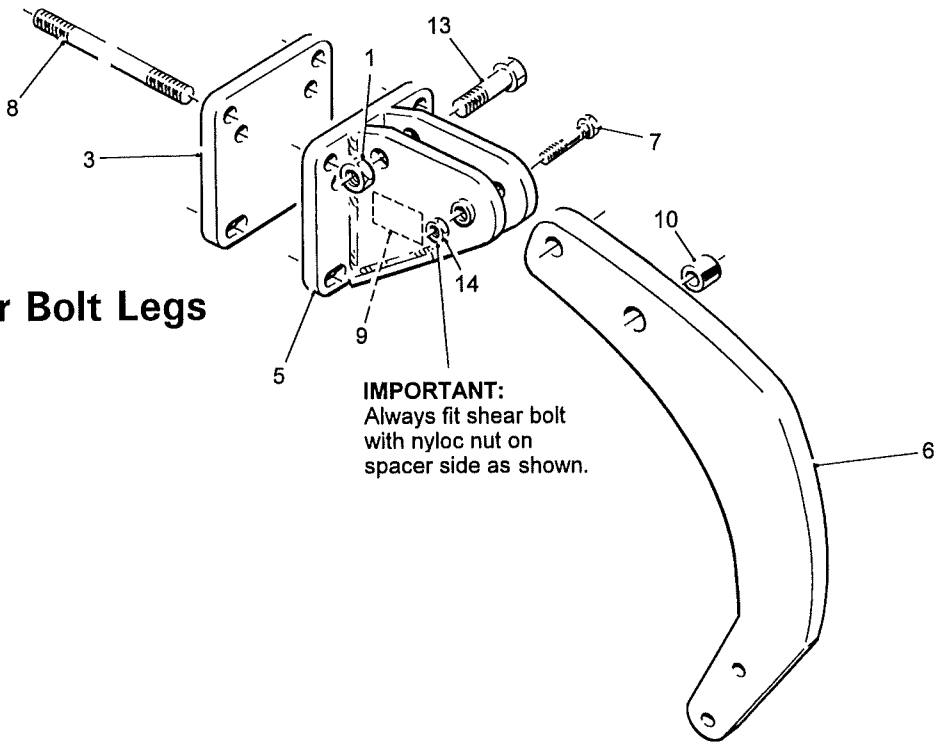
Assy No DWS780

Item	Part No.	Description	Qty.	Remarks
1	DW202030870	M6 Grease Nipple	4	
2	DW208044090	Plastic Insert (2"x2")	2	
3	DW208092100	Linch Pin	2	
4	DW254044203	Bush	8	
5	DW50934	Clip Pin	5	
6	DW650247	Stand Pin	2	
7	DWS937	Ram Pin	2	
8				
9				
10				
11				
12				
13	DW801201	Stand	2	
14				
15	DWS414	Top Link Pin (CAT 2&3)	1	
16	DWS415	Bottom Link Pin (CAT 2&3)	2	
17	DWS737	4 Bodied Frame	1	
18	DWS738	Side Arm	2	
19	DWS742	Pivot Pin	2	
20	DWS743	Locking Pin	2	
21				
22	DWS774	Ram Pin	2	
23	DWS1336	Hose Carrier	1	
24				
25				
26				
27	22067008/040	Ø8x40 Roll Pin	2	
28				
29				
30				
31	DWS1386	Stand Mounting	2	



**Furrower Leg Assemblies**

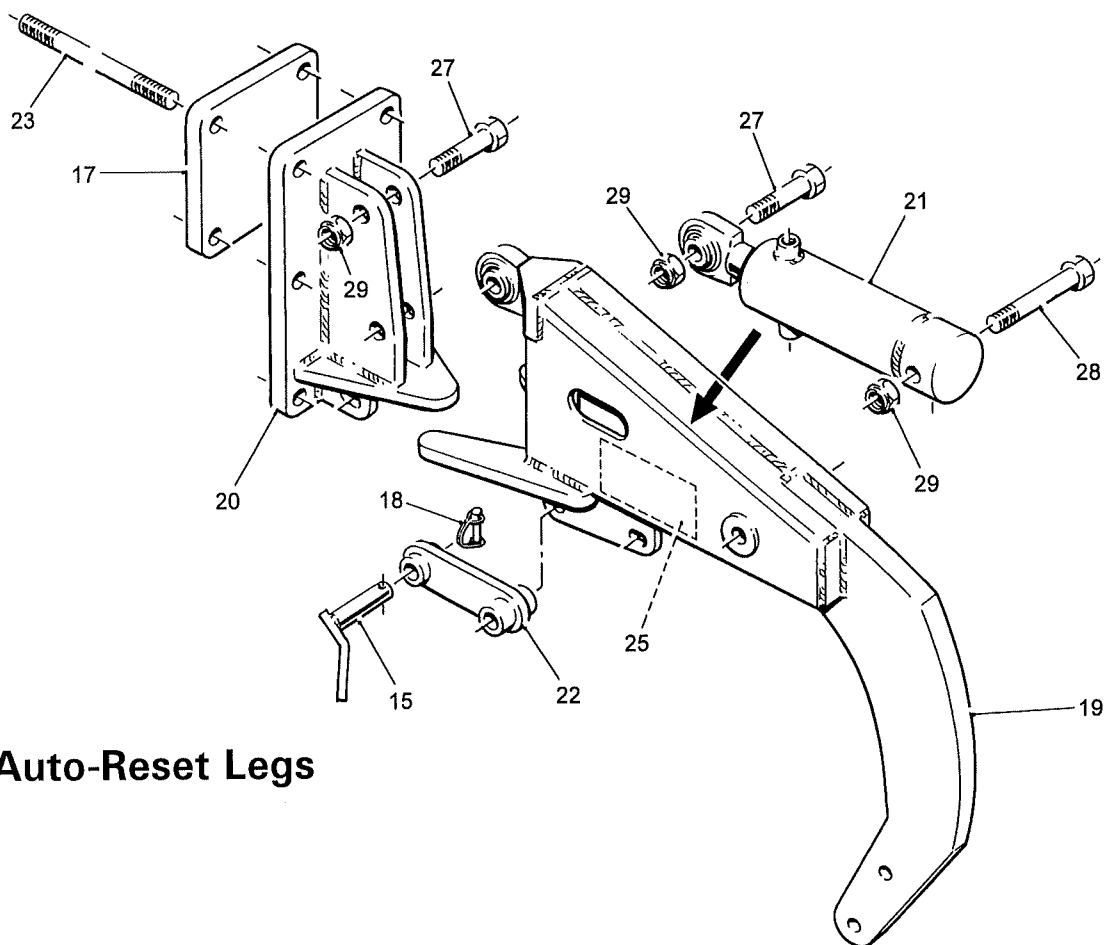
**Shear Bolt Legs**



**IMPORTANT:**  
Always fit shear bolt  
with nyloc nut on  
spacer side as shown.

BF-SP016

**Auto-Reset Legs**



## 2.3a

## BX SERIES BEDFORMER SPARE PARTS

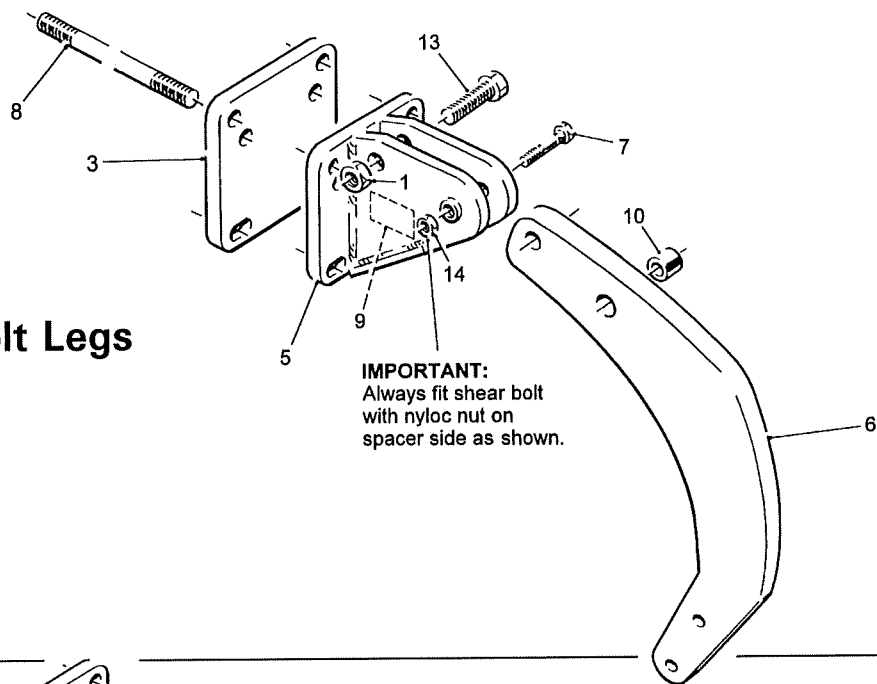
## Furrower Leg Assemblies

Item	Part No.	Description	Qty.	Remarks
1	DW107116015	<b>Shear Bolt Leg Consists Of:</b> 1"UNF Full Nut	1	
2				
3	DW801997A	Flange Plate	1	
4				
5	DWS504	Leg Mounting	1	
6	DWS505	Shear Bolt Leg	1	
7	DWS506	Shear Bolt	1	
8	DWS860	Retaining Bolt	4	4-bodied only
9	TR473	"Shear Bolt Fitting" Decal	1	
10	DWS933	Shear Bolt Bush	1	
11				
12				
13	22025100/375	1"UNF x 3 3/4"Bolt	1	
14	22041016	M16 Nyloc Nut	1	
		<hr/>		
		<b>Auto-Reset Leg Consists Of:</b>		
15	43025	Hitch Pin	1	
16				
17	DW801997	Flange Plate	1	
18	DW50934	Clip Pin	1	
19	DWS509	Hydraulic Leg	1	
20	DWS510	Hydraulic Leg Mount	1	
21	DWS714	Break-back Ram	1	
22	DWS787	Leg Locking Arm	1	
23	DWS860	Retaining Bolt	4	4-bodied only
24				
25	TR476	"Warning Leg Locking" Decal	1	
26				
27	22012024/100	M24x100 Bolt	2	
28	22012024/160	M24x160 Bolt	1	
29	22041024	M24 Nyloc Nut	3	

Machines from 2014

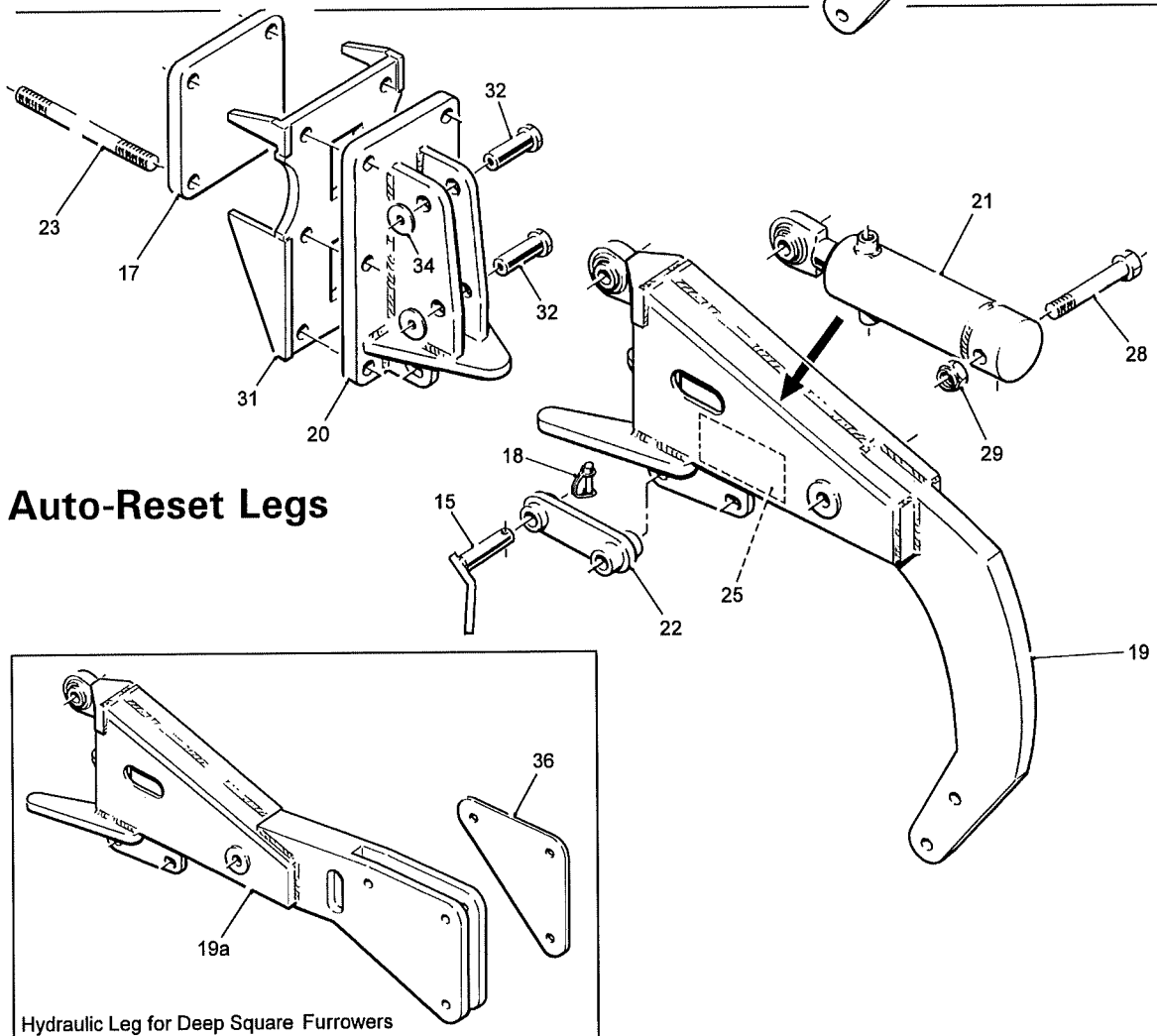
## Furrower Leg Assemblies

### Shear Bolt Legs



BF-SP059

### Auto-Reset Legs



## 2.3a

**BX SERIES BEDFORMER SPARE PARTS**

Machines from 2014

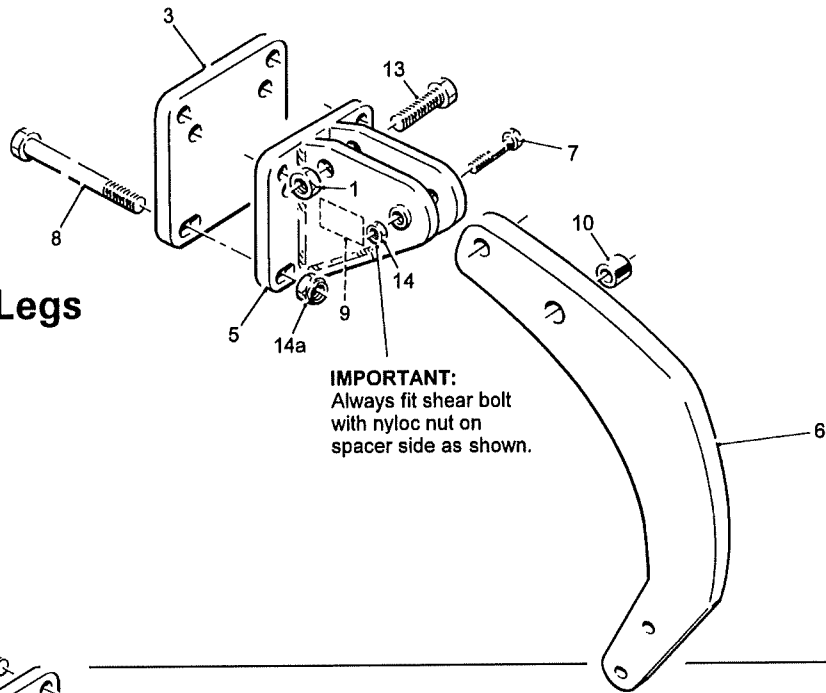
**Furrower Leg Assemblies**

Item	Part No.	Description	Qty.	Remarks
1	DW107116015	<b>Shear Bolt Leg Consists Of:</b> 1"UNF Full Nut	1	
2				
3	DW801997A DWS1473	Flange Plate (plain holes) Flange Plate (threaded holes)	1 1	3-bodied outers legs only
4				
5	DWS504	Leg Mounting	1	
6	DWS505	Shear Bolt Leg	1	
7	DWS506	Shear Bolt	1	
8	DWS860	Retaining Bolt	4	4-bodied only
9	TR473	"Shear Bolt Fitting" Decal	1	
10	DWS933	Shear Bolt Bush	1	
11				
12				
13	22025100/375	1"UNF x 3 3/4" Setscrew	1	
14	22041016	M16 Nyloc Nut	1	
		<b>Auto-Reset Leg Consists Of:</b>		
15	43025	Hitch Pin	1	
16				
17	DW801997 DWS1473	Flange Plate (plain holes) Flange Plate (threaded holes)	1 1	3-bodied outer legs only
18	DW50934	Clip Pin	1	
19	DWS509	Hydraulic Leg	1	Standard & convex furrowers
19a	DWS1256	Hydraulic Leg	1	Deep square furrowers
20	DWS510	Hydraulic Leg Mount	1	
21	DWS714	Break-back Ram	1	
22	DWS787	Leg Locking Arm	1	
23	DWS1017	Retaining Bolt	4	4-bodied only
24				
25	TR476	"Warning Leg Locking" Decal	1	
26				
27				
28	22012024/160	M24x160 Bolt	1	
29	22041024	M24 Nyloc Nut	1	
30				
31	DWS1375	Anti-twist Plate	1	Used from 2021
32	DWS1095	Pivot Pin	2	
33				
34	SS040011/003	Steel Spacer	2	
35				
36	DWS1133	Spacer Plate	1	Deep square furrowers only

Machines from 2024

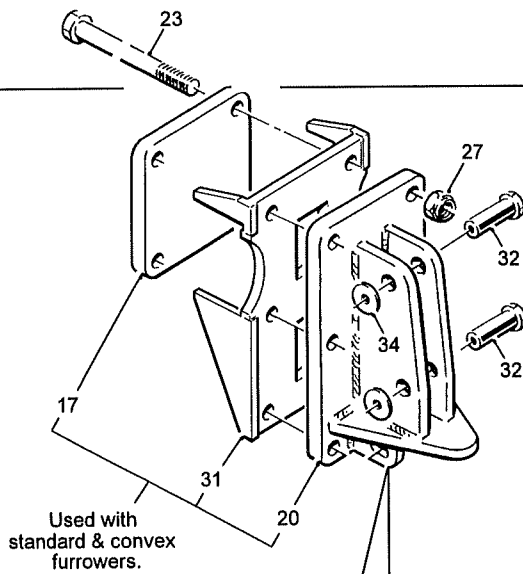
## Furrower Leg Assemblies

### Shear Bolt Legs

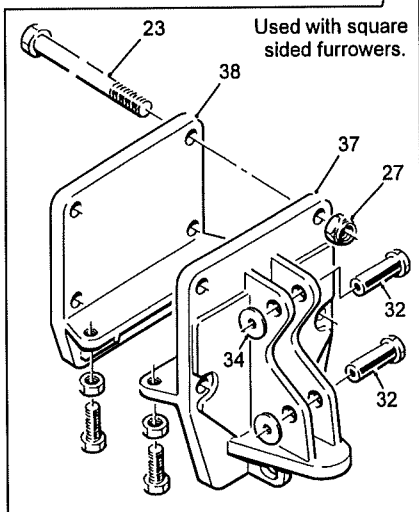


**IMPORTANT:**  
Always fit shear bolt  
with nyloc nut on  
spacer side as shown.

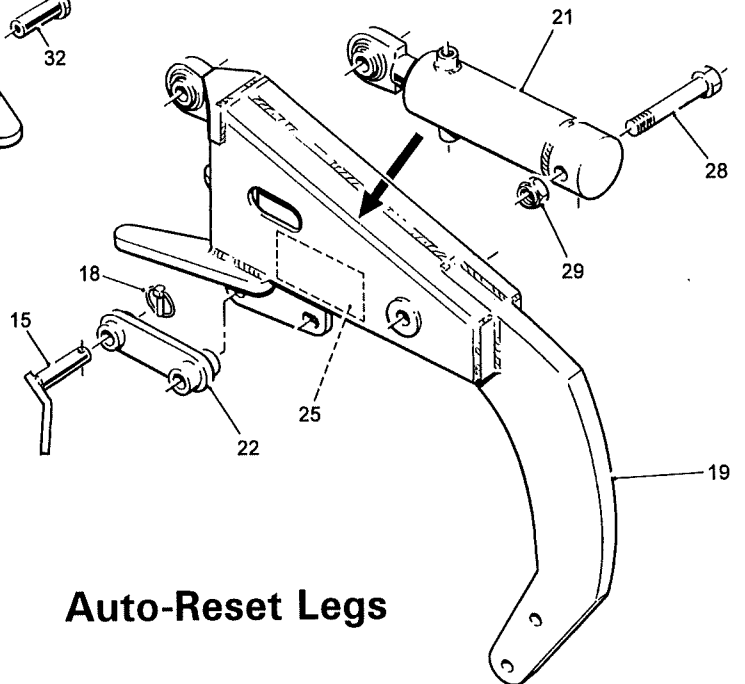
BF-SP068



Used with  
standard & convex  
furrowers.



Used with square  
sided furrowers.



### Auto-Reset Legs

## 2.3a

## BX SERIES BEDFORMER SPARE PARTS

Machines from 2024

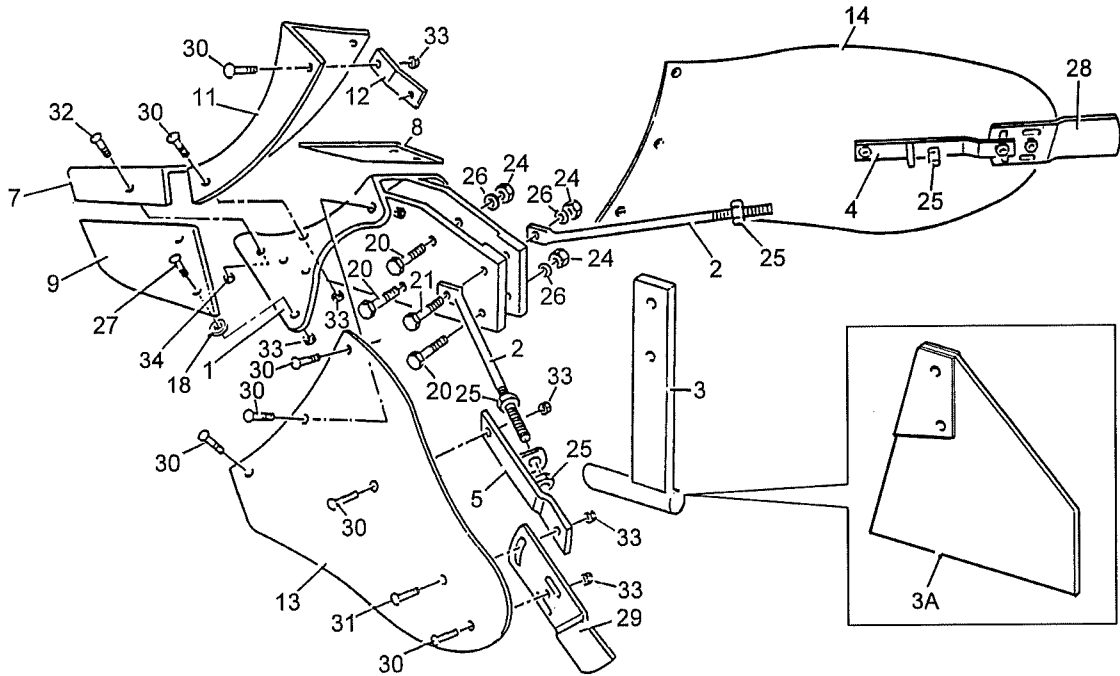
## Furrower Leg Assemblies

Item	Part No.	Description	Qty.	Remarks
1	DW107116015	<b>Shear Bolt Leg Consists Of:</b> 1"UNF Full Nut	1	
2				
3	DW801997A DWS1473	Flange Plate (plain holes) Flange Plate (threaded holes)	1 1	3-bodied outers legs only
4				
5	DWS504	Leg Mounting	1	
6	DWS505	Shear Bolt Leg	1	
7	DWS506	Shear Bolt	1	
8	22012020/240 22134020/350 22134020/370	M20x240 Bolt M20x350 Bolt M20x370 Bolt	4 4 4	2-bodied 3 & 4-bodied without stand 3 & 4-bodied with stand
9	TR473	"Shear Bolt Fitting" Decal	1	
10	DWS933	Shear Bolt Bush	1	
11				
12				
13	22025100/375	1"UNF x 3 3/4"Setscrew	1	
14	22041016	M16 Nyloc Nut	1	
14a	22041020	M20 Nyloc Nut	4	
		<b>Auto-Reset Leg Consists Of:</b>		
15	43025	Hitch Pin	1	
16				
17	DW801997 DWS1473	Flange Plate (plain holes) Flange Plate (threaded holes)	1 1	3-bodied outer legs only
18	DWS1533	Linch Pin	1	Was DW50934
19	DWS509	Hydraulic Leg	1	
20	DWS510	Hydraulic Leg Mount	1	
21	DWS714	Break-back Ram	1	
22	DWS787	Leg Locking Arm	1	
23	22012020/240 22134020/350 22134020/370	M20x240 Bolt M20x350 Bolt M20x370 Bolt	4 4 4	2-bodied 3 & 4-bodied without stand 3 & 4-bodied with stand
24				
25	TR476	"Warning Leg Locking" Decal	1	
26				
27	22041020	M20 Nyloc Nut	4	
28	22012024/160	M24x160 Bolt	1	
29	22041024	M24 Nyloc Nut	1	
30				
31	DWS1375	Anti-twist Plate	1	
32	DWS1095	Pivot Pin	2	
33				
34	SS040011/003	Steel Spacer	2	
35				
36				
37	DWS510C	Hydraulic Leg Mount	1	
38	DWS1496	Clamp Bracket	1	

**Furrower Assemblies**

**Standard Furrower**

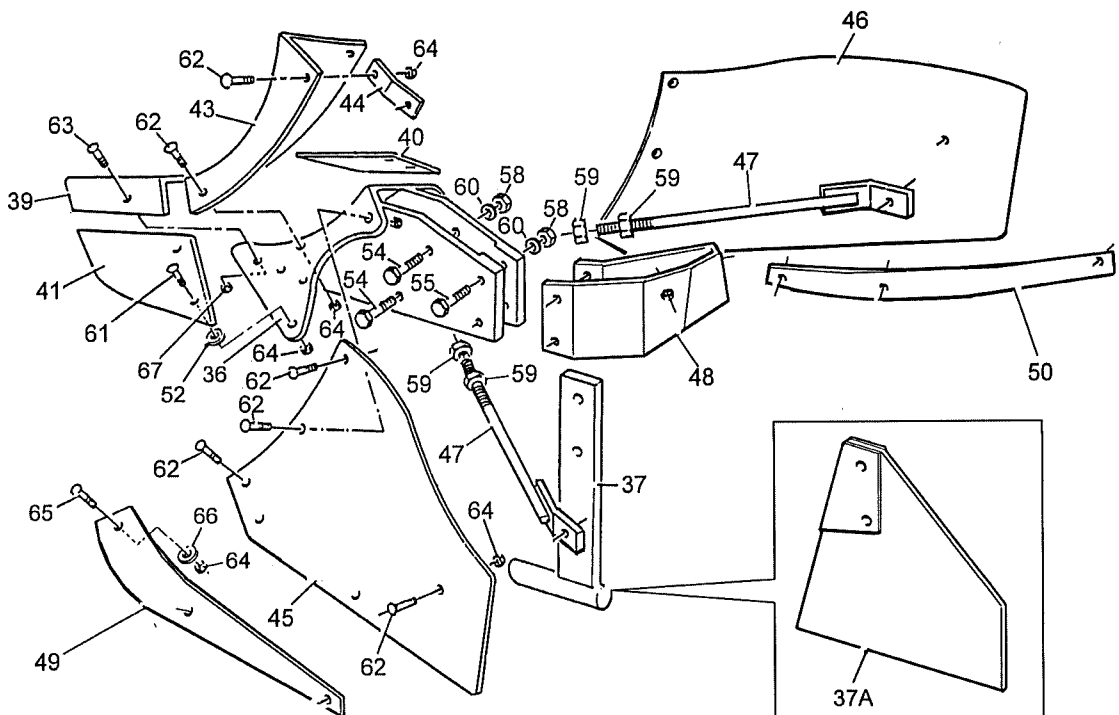
Assy No DWS662



BF-SP045

**Convex Furrower**

Assy No DWS661



## 2.4a

## BX SERIES BEDFORMER SPARE PARTS

## Furrower Assemblies

Standard Furrower - Assy No DWS662

Convex Furrower - Assy No DWS661

Item	Part No.	Description	Qty.	Remarks
	<b>DWS662</b>	<b>Standard Furrower Consists Of:</b>		
1	DWS579	Frog	1	
2	DW801080	Adjustable Stay	2	
3	DW801084	Mole	1	Option
3A	DWS330	Tracking Fin	1	Option
4	DW801087	Stay Bracket RH	1	
5	DW801088	Stay Bracket LH	1	
6				
7	DW801276	Point	1	
8	DW801277	Wing RH	1	
9	DW801278	Wing LH	1	
10				
11	DW801934	Shin	1	
12	DW801937	Connecting Strap	2	
13	DW801938	High Mouldboard LH	1	
14	DW801939	High Mouldboard RH	1	
15				
16				
17				
18	DWS932	Grey Board Washer	4	
19				
20	22028075/325	3/4"UNCx 3 1/4"Bolt	3	
21	22028075/375	3/4"UNCx 3 3/4"Bolt	1	
22				
23				
24	22090075	3/4"UNC Nut	4	
25	22029020	M20 Plain Nut	4	Part was 22068075
26	DW108122045	3/4" Spring Washer	4	
27	DW222008077	M12 Fine x37 Taper Head Bolt	4	
28	DW222008064	Tail RH	1	
29	DW222008065	Tail LH	1	
30	DW222008072	M12 Fine x30 CSK Nibbed Bolt	14	
31	DW222008074	M12 Fine x45 CSK Nibbed Bolt	2	
32	DW222008020	M12 Fine x32 Taper Head Bolt	2	
33	DWS113	M12 Fine Whiz-locknut	20	
34	DW307512055	M12 Fine Nyloc Nut	2	
35				
	<b>DWS661</b>	<b>Convex Furrower Consists Of:</b>		
36	DWS579	Frog	1	
37	DW801084	Mole	1	Option
37A	DWS330	Tracking Fin	1	Option
38				
39	DW801276	Point	1	
40	DW801277	Wing RH	1	
41	DW801278	Wing LH	1	
42				
43	DW801934	Shin	1	
44	DW801937	Connecting Strap	2	
45	DWS151	Convex Mouldboard LH	1	
46	DWS152	Convex Mouldboard RH	1	
47	DW802854	Adjustable Stay	2	



**BX SERIES BEDFORMER SPARE PARTS****2.4b****Furrower Assemblies****Standard Furrower - Assy No DWS662****Convex Furrower - Assy No DWS661**

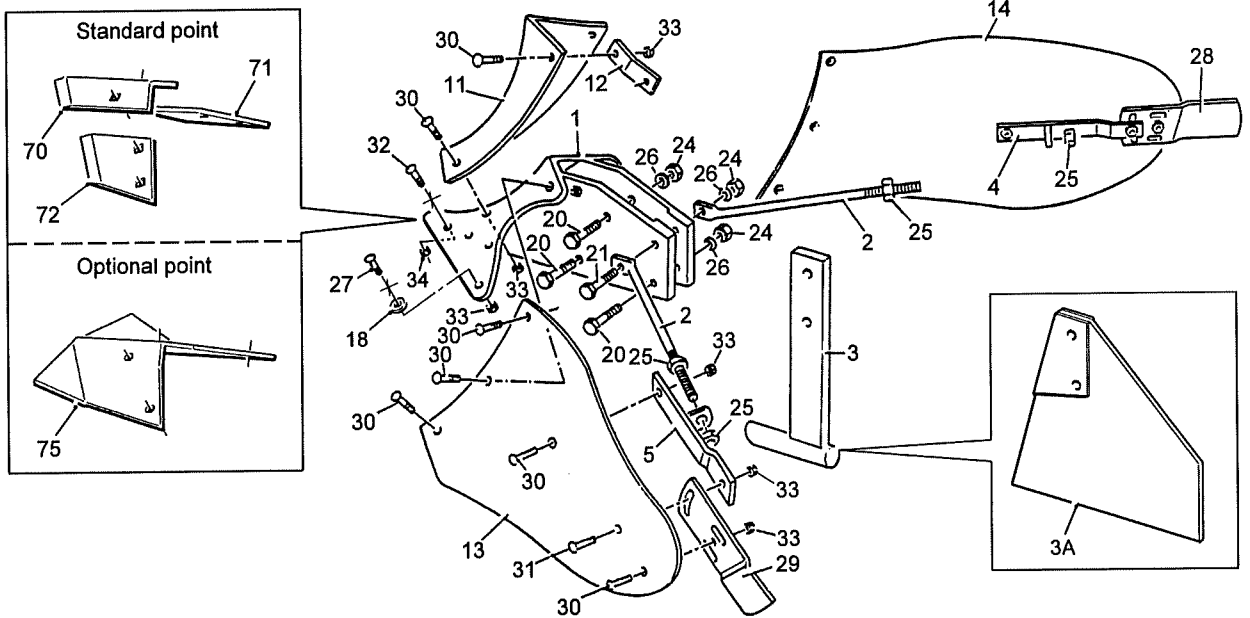
<b>Item</b>	<b>Part No.</b>	<b>Description</b>	<b>Qty.</b>	<b>Remarks</b>
48	DW802855	Stay Bracket	1	
49	DWS153	LH Wear Strip	1	
50	DWS154	RH Wear Strip	1	
51				
52	DWS932	Grey Board Washer	4	
53				
54	22028075/325	3/4"UNCx 3 1/4"Bolt	2	
55	22028075/400	3/4"UNCx 4"Bolt	2	
56				
57				
58	22090075	3/4"UNC Nut	4	
59	22029020	M20 Plain Nut	4	Part was 22068075
60	DW108122045	3/4"Spring Washer	4	
61	DW222008077	M12 Fine x37 Taper Head Bolt	4	
62	DW222008072	M12 Fine x30 CSK Nibbed Bolt	12	
63	DW222008020	M12 Fine x32 Taper Head Bolt	2	
64	DWS113	M12 Fine Whiz-locknut	22	
65	DW222008073	M12 Fine x35 CSK Nibbed Bolt	6	
66	SS040013/003	Washer	6	
67	DW307512055	M12 Fine Nyloc Nut	2	



## Furrower Assemblies

### Standard Furrower

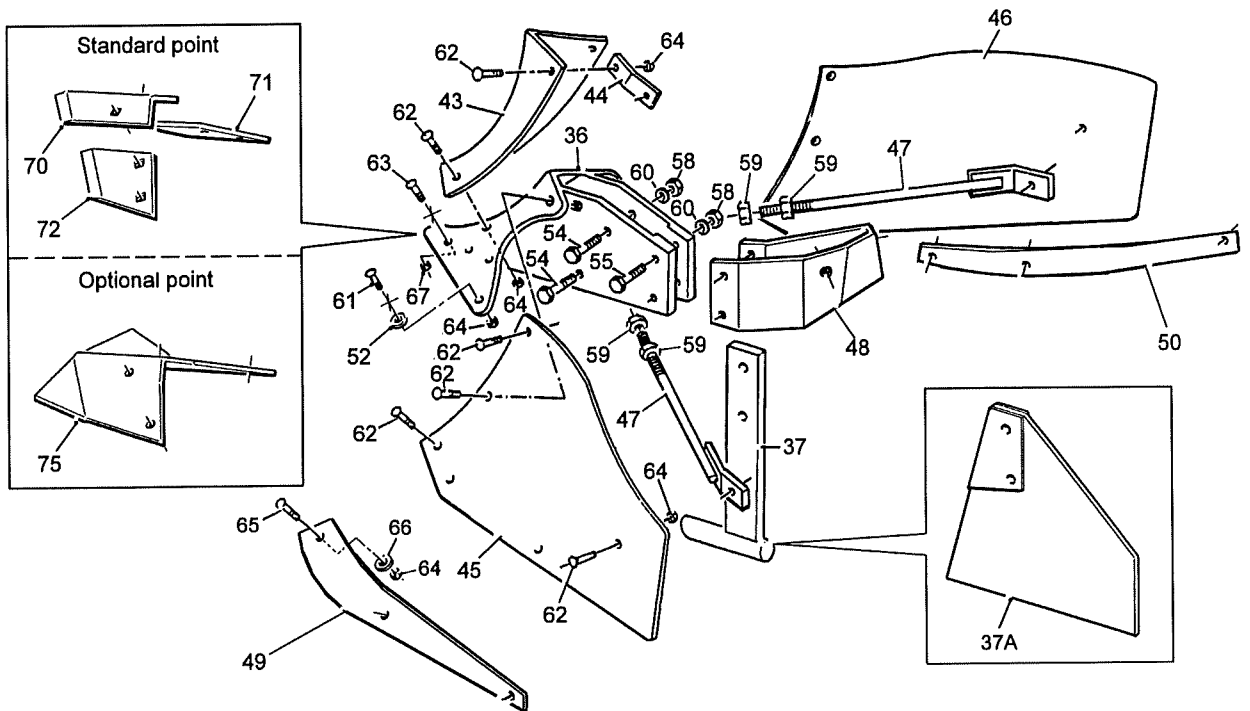
Assy No DWS662A



BF-SP062

### Convex Furrower

Assy No DWS661A



## 2.4a

**BX SERIES BEDFORMER SPARE PARTS****Furrower Assemblies**

Standard Furrower - Assy No DWS662A

Convex Furrower - Assy No DWS661A

Item	Part No.	Description	Qty.	Remarks
	<b>DWS662A</b>	<b>Standard Furrower Consists Of:</b>		
1	DWS579	Frog	1	
2	DW801080	Adjustable Stay	2	
3	DW801084	Mole	1	Option
3A	DWS330	Tracking Fin	1	Option
4	DW801087	Stay Bracket RH	1	
5	DW801088	Stay Bracket LH	1	
6				
7				
8				
9				
10				
11	DW801934	Shin	1	
12	DW801937	Connecting Strap	2	
13	DW801938	High Mouldboard LH	1	
14	DW801939	High Mouldboard RH	1	
15				
16				
17				
18	DWS932	Grey Board Washer	4	
19				
20	22028075/325	3/4"UNCx 3 1/4"Bolt	3	
21	22028075/375	3/4"UNCx 3 3/4"Bolt	1	
22				
23			1	
24	22090075	3/4"UNC Nut	4	
25	22029020	M20 Plain Nut	4	
26	DW108122045	3/4" Spring Washer	4	
27	DW222008077	M12 Fine x37 Taper Head Bolt	4	
28	DW222008064	Tail RH	1	
29	DW222008065	Tail LH	1	
30	DW222008072	M12 Fine x30 CSK Nibbed Bolt	14	
31	DW222008074	M12 Fine x45 CSK Nibbed Bolt	2	
32	DW222008020	M12 Fine x32 Taper Head Bolt	2	
33	DWS113	M12 Fine Whiz-locknut	20	
34	DW307512055	M12 Fine Nyloc Nut	2	
35				
	<b>DWS661A</b>	<b>Convex Furrower Consists Of:</b>		
36	DWS579	Frog	1	
37	DW801084	Mole	1	Option
37A	DWS330	Tracking Fin	1	Option
38				
39				
40				
41				
42				
43	DW801934	Shin	1	
44	DW801937	Connecting Strap	2	
45	DWS151	Convex Mouldboard LH	1	
46	DWS152	Convex Mouldboard RH	1	
47	DW802854	Adjustable Stay	2	

# BX SERIES BEDFORMER SPARE PARTS

2.4b

## Furrower Assemblies

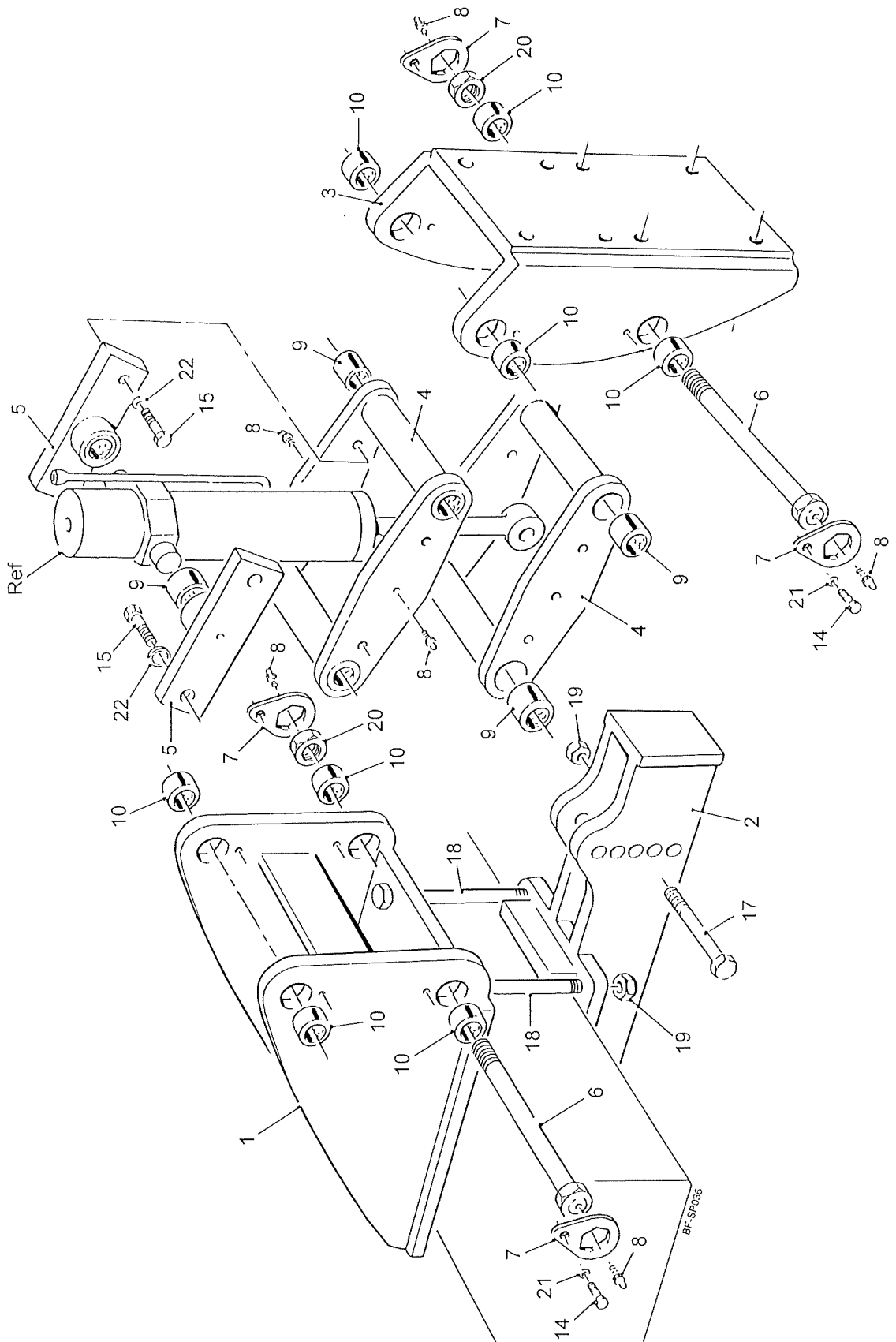
Standard Furrower - Assy No DWS662A

Convex Furrower - Assy No DWS661A

Item	Part No.	Description	Qty.	Remarks
48	DW802855	Stay Bracket	1	
49	DWS153	LH Wear Strip	1	
50	DWS154	RH Wear Strip	1	
51				
52	DWS932	Grey Board Washer	4	
53				
54	22028075/325	3/4"UNCx 3 1/4"Bolt	2	
55	22028075/400	3/4"UNCx 4"Bolt	2	
56				
57				
58	22090075	3/4"UNC Nut	4	
59	22029020	M20 Plain Nut	4	
60	DW108122045	3/4"Spring Washer	4	
61	DW222008077	M12 Fine x37 Taper Head Bolt	4	
62	DW222008072	M12 Fine x30 CSK Nibbed Bolt	12	
63	DW222008020	M12 Fine x32 Taper Head Bolt	2	
64	DWS113	M12 Fine Whiz-locknut	22	
65	DW222008073	M12 Fine x35 CSK Nibbed Bolt	6	
66	SS040013/003	Washer	6	
67	DW307512055	M12 Fine Nyloc Nut	2	
	<b>DWS1413</b>	<b>Standard Wear Point Consists Of:</b>		
70	DW801276	Point	1	
71	DW801277	Wing RH	1	
72	DW801278	Wing LH	1	
		<b>Optional Wear Point Consists Of:</b>		
75	DWS1392	Large Wear Point	1	



4-Bodied Parallel Linkage Assembly  
Assy No DWS790



## 2.5a

## BX SERIES BEDFORMER SPARE PARTS

## 4-Bodied Parallel Linkage Assembly

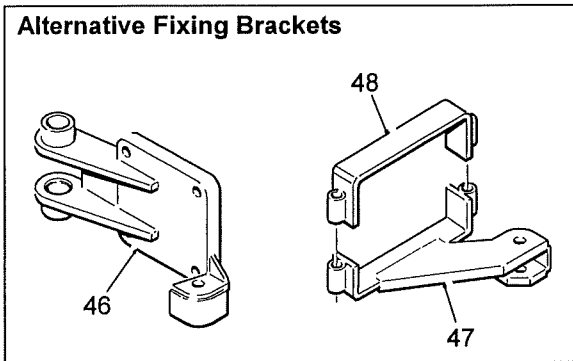
Assy No DWS790

Item	Part No.	Description	Qty.	Remarks
1	DWS747	Linkage Bracket	1	
2	DWS756	Bottom Bracket	1	
3	DW802508	Bracket	1	
4	DW802512	Link	2	
5	DW802515	Ram Pivot	2	
6	DW802683	Pivot Pin	4	
7	DW802685	Lock Plate	8	
8	DW202030870	M6 Grease Nipple	10	
9	DW252528203	Bush	10	
10	DW252531200	Bush	8	
11				
12				
13				
14	22011008/020	M8x20mm Hex Head Bolt	8	
15	22011016/040	M16x40mm Hex Head Bolt	4	
16				
17	22012020/110	M20x110mm Hex Head Bolt	1	
18	22012020/220	M20x220mm Hex Head Bolt	4	
19	22041020	M20 Nyloc Nut	5	
20	22041024	M24 Nyloc Nut	4	
21	22052008	M8 Spring Washer	8	
22	22052016	M16 Spring Washer	4	

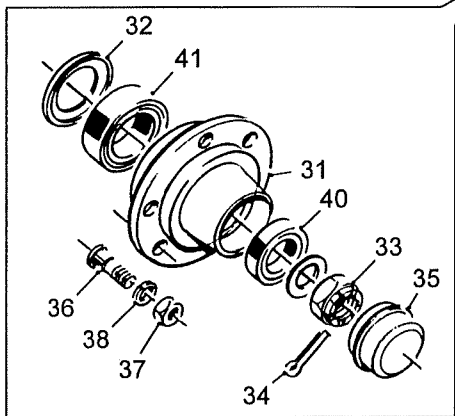
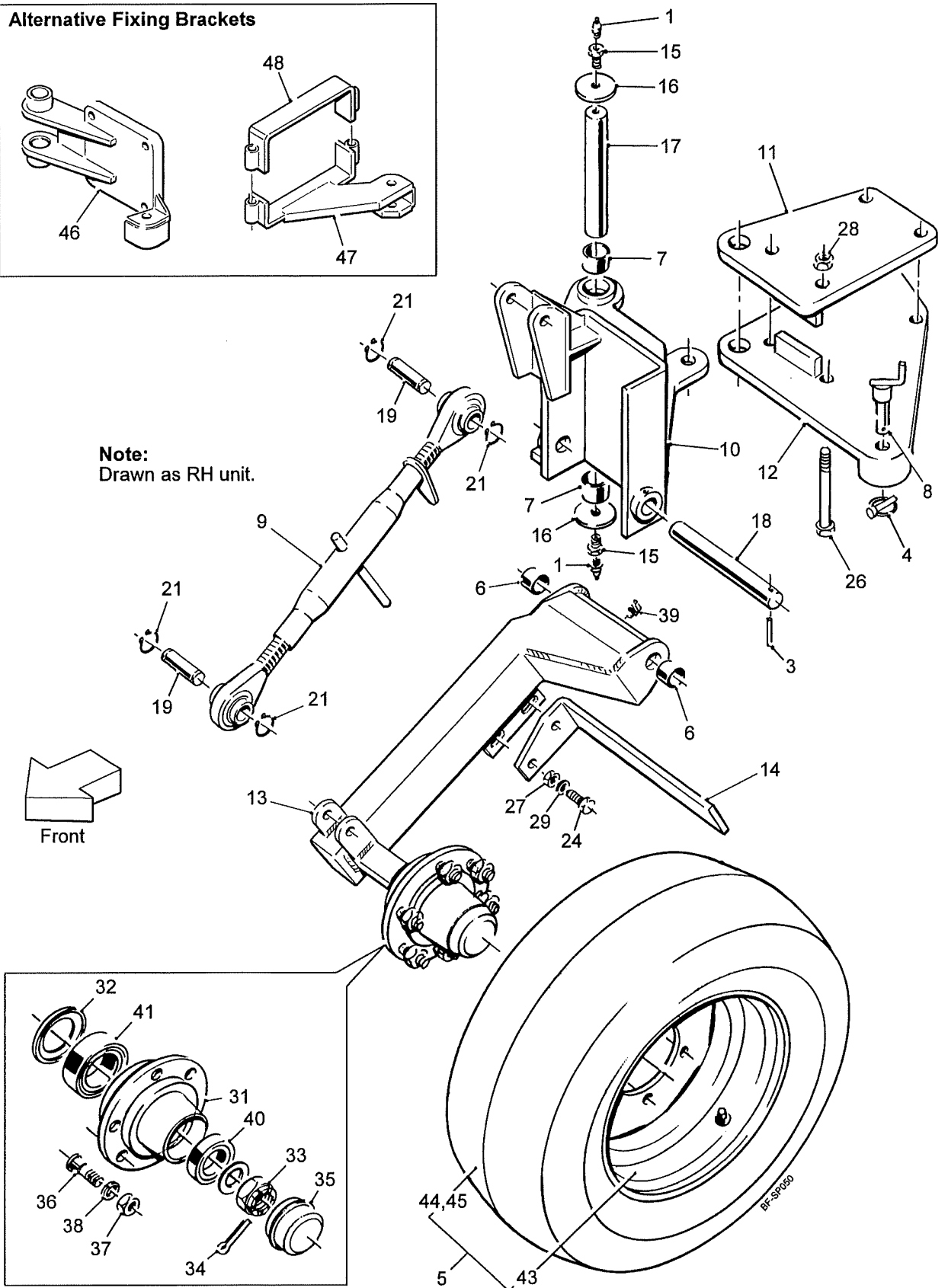


## 4-Bodied Depth Wheels Assy No DWS789

### Alternative Fixing Brackets



**Note:**  
Drawn as RH unit.



## 2.6a

## BX SERIES BEDFORMER SPARE PARTS

## 4-Bodied Depth Wheels

Assy No DWS789

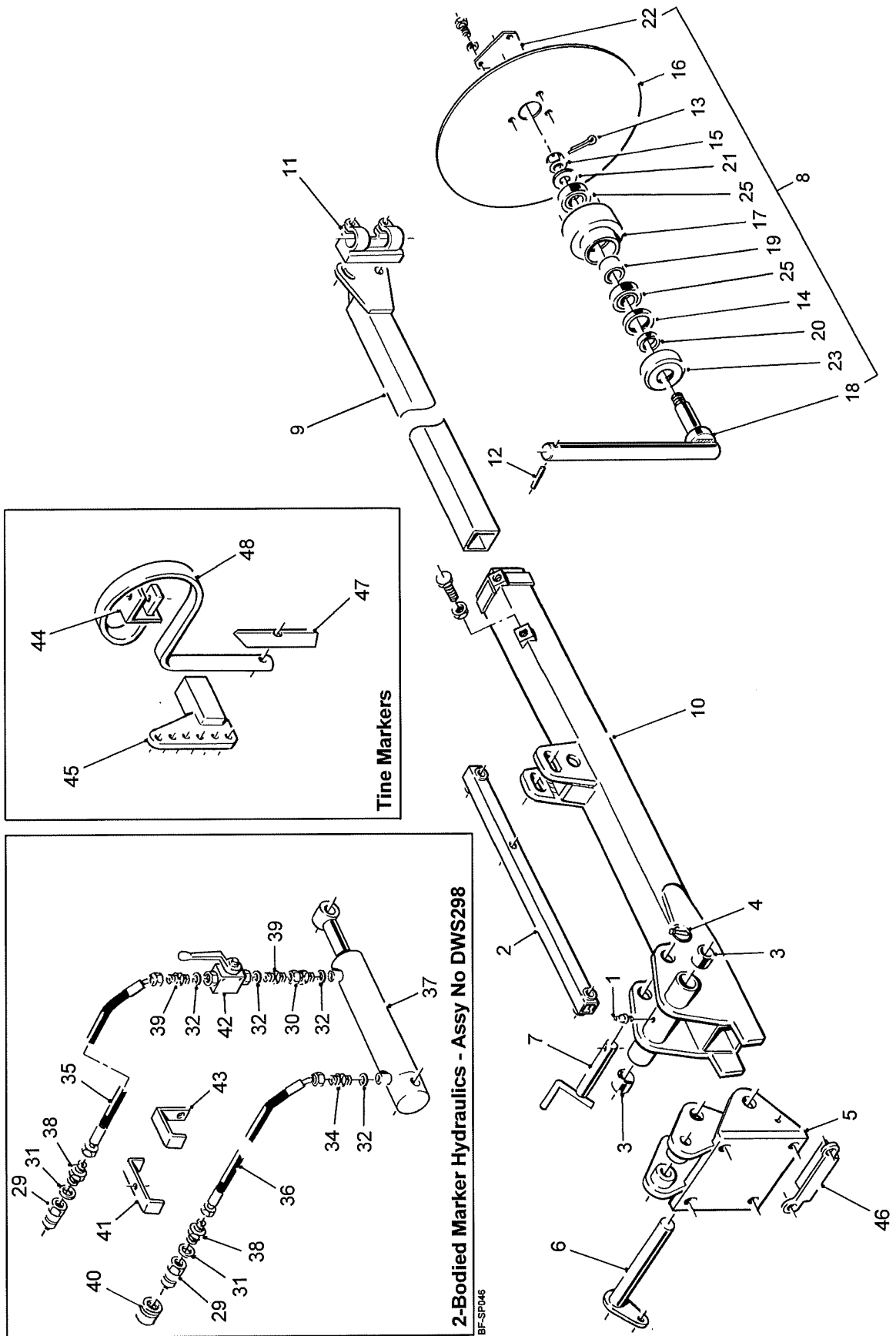
Item	Part No.	Description	Qty.	Remarks
1	DW202030870	M6 Grease Nipple	7	
2				
3	DW208012690	Ø8x50 Roll Pin	2	
4	DW208092060	Linch Pin	2	
5	DW209055880	Wheel Complete	2	(see list at end)
6	DW253034303	Bush	4	
7	DW254044300	Bush	4	
8	DW800647	Mounting Pin	2	
9	DW208007980	Top Link Complete	2	
10	DWS755	RH Bracket	1	
	DWS754	LH Bracket	1	(not shown)
11	DWS749	RH Upper Plate	1	
	DWS748	LH Upper Plate	1	(not shown)
12	DWS753	RH Lower Plate	1	
	DWS752	LH Lower Plate	1	(not shown)
13	DWS718	RH Wheel Arm and Hub Complete	1	
	DWS717	LH Wheel Arm and Hub Complete	1	(not shown)
14	DW802845	RH Wheel Scraper	1	
	DW802846	LH Wheel Scraper	1	(not shown)
15	DW802847	Screw	4	
16	DW802848	Pivot Washer	4	
17	DW802849	Vertical Pin	2	
18	DW802850	Wheel Arm Pivot	2	
19	DWS723	Pin	4	
20				
21	PS843	Ø25 External Circlip	8	
22				
23				
24	22012016/055	M16x55 Bolt	4	
25				
26	22012020/220	M20x220 Bolt	8	
27	22041016	M16 Nyloc Nut	4	
28	22041020	M20 Nyloc Nut	8	
29	22046016C	M16 Flat Washer	4	
30				
31	DW802842/1	Hub	2	
32	DW802842/2	Retaining Ring	2	
33	DW802842/3	Castellated Nut	2	
34	DW802842/4	Split Pin	2	
35	DW802842/5	Hub Cap	2	
36	DW802842/6	M18 Wheel Stud	12	
37	DW802842/7	M18 Wheel Nut	12	
38	DW802842/8	Washer	12	
39	RPC648.061002	M6 90°Grease Nipple	1	
40	TH00500304	Outer Bearing	2	
41	TH00500307	Inner Bearing	2	
42				
	<b>DW209055880</b>	<b>Wheel Complete Consists Of:</b>		
43	DW209028220	Rim	1	
44	DW209058520	Tyre	1	
45	DW209061130	Tube	1	

**BX SERIES BEDFORMER SPARE PARTS****2.6b****4-Bodied Depth Wheels****Assy No DWS789**

<b>Item</b>	<b>Part No.</b>	<b>Description</b>	<b>Qty.</b>	<b>Remarks</b>
46	DWS1182	<b>Alternative Fixing Brackets</b> RH Bracket	1	(not shown)
	DWS1181	LH Bracket	1	
47	DWS1184	RH Lock Bracket	1	(not shown)
	DWS1183	LH Lock Bracket	1	
48	DWS1185	Clamp	2	



**2-Bodied Disc/Tine Markers  
(Used with Outtrigger Arms)**

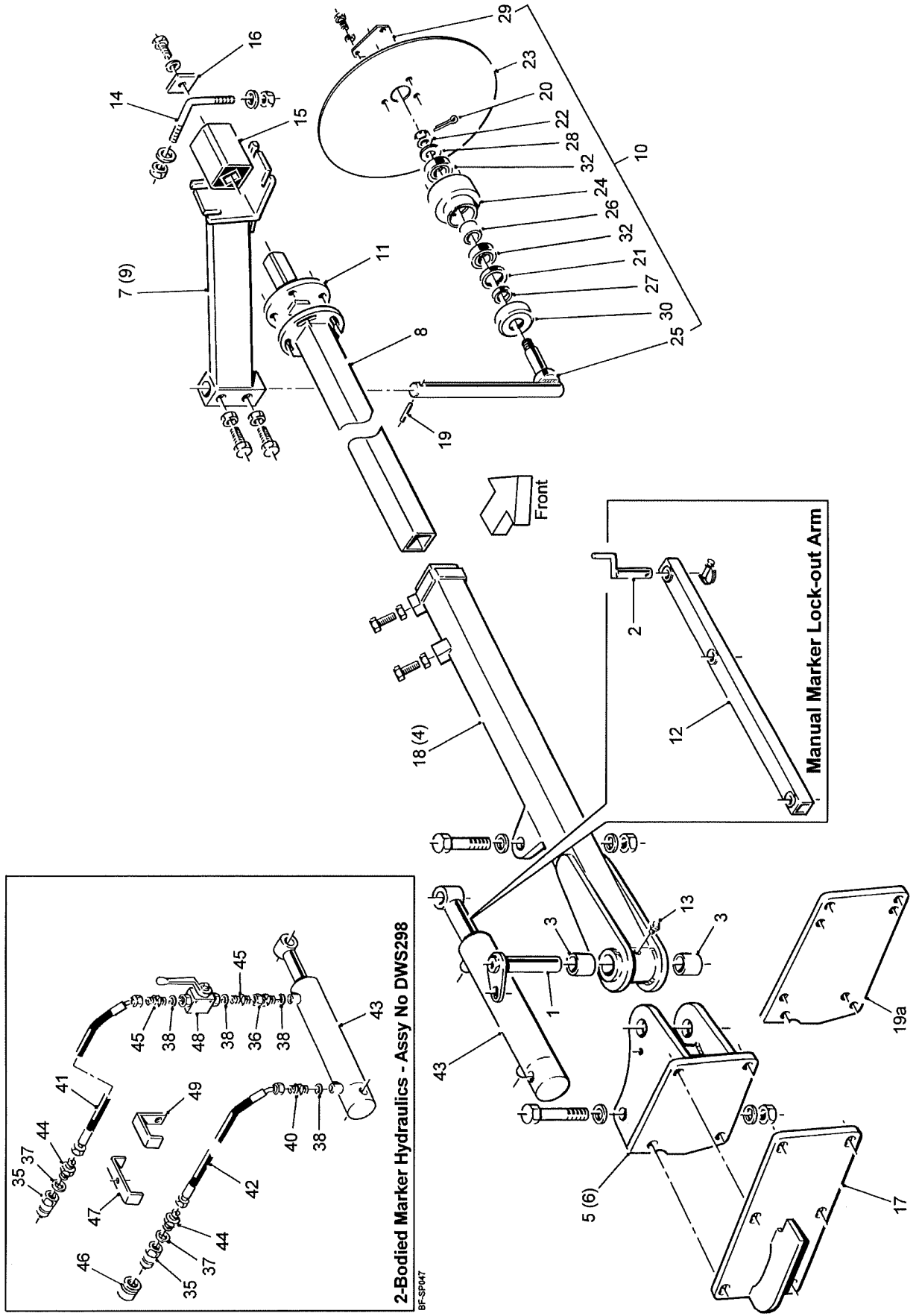


**2-Bodied Disc/Tine Markers**

(Used with Outrigger Arms)

Item	Part No.	Description	Qty.	Remarks
1	DW202030870	M6 Grease Nipple	2	(see list at end)
2	DWS596	Lock-out Arm	2	
3	10337	Bush	4	
4	DW50934	Linch Pin	2	
5	DWS446	Marker Bracket	2	
6	TBMW584	Pivot Pin	2	
7	DWS447	Lock Pin	2	
8	DWS837	Disc Assembly	2	
9	DWS539	Extension Arm	2	
10	DWS445	Marker Arm	2	
11	PS1002AM	Clamp	2	
12	22067008/050	Ø8x50 Roll Pin	2	
	DWS837	Disc Assembly Consists Of:		
13	DW208016780	Split Pin	1	
14	DW266240071	Seal	1	
15	DW307212080	M12 Castellated Nut	1	
16	DW802703	Disc	1	
17	DWS839	Hub	1	
18	DWS838	Disc Leg	1	
19	DW802933	Spacer	1	
20	DW802934	Sealing Ring	1	
21	DW802935	Washer	1	
22	DWS840	Hub Cover Plate	1	
23	DW802937	Dust Cover	1	
24				
25	62062RS	Bearing	2	
26				
27				
28				
	DWS298	2-Bodied Marker Hydraulics Consist Of:		
29	10140	1/2" BSP Male Probe	4	
30	10128	3/8" BSP MF Swivel Adaptor	2	
31	11124	1/2" BSP Dowty Seal	4	
32	11125	3/8" BSP Dowty Seal	8	
33				
34	DW222008066	3/8" BSP M M Restrictor	2	
35	DWS299	3/8" Hose Assembly (3000mm)	2	
36	DWS300	3/8" Hose Assembly (2660mm)	2	
37	DW802611	Hydraulic Ram	2	
38	UC25	1/2" BSP x 3/8" BSP M M Adaptor	4	
39	UC31A	3/8" BSP M M Adaptor	4	
40	KA17316	Hose Anchor	4	Prior to 2021 only
41	DW802633	Hose Clamp	1	
42	DW202046270	Ball Valve	2	
43	DWS856	Hose Support	2	
	DWS628	Marker Tine Assembly Consists Of:		
44	47142	Spring Tine Clamp	2	
45	DWS626	Tine Mounting Bracket	2	
46	DWS627	Tine Stop Plate	2	
47	KA20477	Marker Point c/w Nuts & Bolts	2	
48	KA20488	Marker Tine	2	

**2 & 4-Bodied Disc/Tine Markers  
(Used without Outrigger Arms)**



## 2.8a

## BX SERIES BEDFORMER SPARE PARTS

## 2 &amp; 4-Bodied Disc/Tine Markers

(Used without Outrigger Arms)

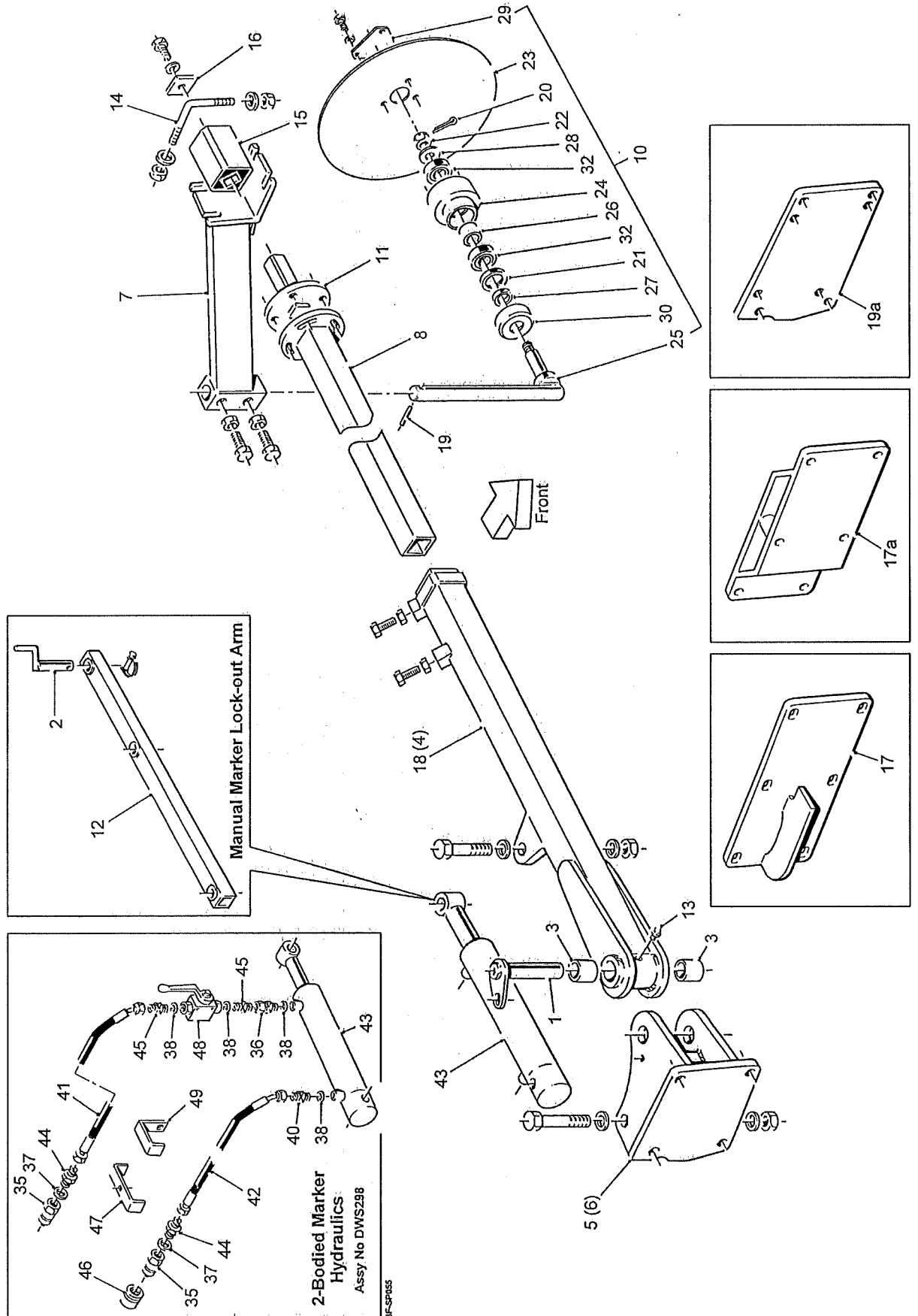
Item	Part No.	Description	Qty.	Remarks
1	DWS854	Pivot Pin	2	
2	DWS597	Pin	2	Optional
3	DWS171	Nylon Bush	4	
4	DWS739	Marker Arm (not shown)	1	Prior to 2011 Qty was x2
5	DWS740	LH Mounting Bracket	1	
6	DWS741	RH Mounting Bracket	1	(not shown)
7	DWS815	Leg Mounting Bracket LH	1	
8	DWS816	Leg Mounting Arm (1804mm long)	2	
	DWS953	Leg Mounting Arm (2404mm long)	2	For 4 bed work
9	DWS836	Leg Mounting Bracket RH	1	(not shown)
10	DWS837	Disc Assembly	2	(see list at end)
11	DWS841	Marker Arm Tension Bracket	2	
12	DWS834	Lock-out Arm	2	Optional
13	GS412	1/8" BSP Straight Grease Nipple	2	
14	RPF122.116115	M16 'L' Bolt	4	
15	RPGMRP084.00001	Rubber Torsion Unit	2	
16	RPM152.303434	Retainer	2	
17	DWS872	Arm Support Bracket (4 bodied only)	2	Used with convex body extensions
18	DWS963	Marker Arm	1	
19	22067008/050	Ø8x50 Roll Pin	2	
19a	DWS927	Adaptor Plate	2	For 80" centre line marking
	<b>DWS837</b>	<b>Disc Assembly Consists Of:</b>		
20	DW208016780	Split Pin	1	
21	DW266240071	Seal	1	
22	DW307212080	M12 Castellated Nut	1	
23	DW802703	Disc	1	
24	DWS839	Hub	1	
25	DWS838	Disc Leg	1	
26	DW802933	Spacer	1	
27	DW802934	Sealing Ring	1	
28	DW802935	Washer	1	
29	DWS840	Hub Cover Plate	1	
30	DW802937	Dust Cover	1	
31				
32	62062RS	Bearing	2	
	<b>DWS298</b>	<b>2-Bodied Marker Hydraulics</b>		
		<b>Consist Of:</b>		
35	10140	1/2" BSP Male Probe	4	
36	10128	3/8" BSP MF Swivel Adaptor	2	
37	11124	1/2" BSP Dowty Seal	4	
38	11125	3/8" BSP Dowty Seal	8	
39				
40	DW222008066	3/8" BSP M M Restrictor	2	
41	DWS299	3/8" Hose Assembly (3000mm)	2	
42	DWS300	3/8" Hose Assembly (2660mm)	2	
43	DW802611	Hydraulic Ram	2	
44	UC25	1/2" BSP x 3/8" BSP M M Adaptor	4	
45	UC31A	3/8" BSP M M Adaptor	4	
46	KA17316	Hose Anchor	4	
47	DW802633	Hose Clamp	1	
48	DW202046270	Ball Valve	2	
49	DWS856	Hose Support	2	



Machines from 2020

## 2 & 4-Bodied Disc/Tine Markers

(Used without Outrigger Arms)



## 2.8a

## BX SERIES BEDFORMER SPARE PARTS

Machines from 2020

## 2 &amp; 4-Bodied Disc/Tine Markers

(Used without Outrigger Arms)

Item	Part No.	Description	Qty.	Remarks
1	DWS854	Pivot Pin	2	
2	DWS597	Pin	2	Optional
3	DWS171	Nylon Bush	4	
4	DWS739	Marker Arm (not shown)	1	
5	DWS740	LH Mounting Bracket	1	
6	DWS741	RH Mounting Bracket	1	(not shown)
7	DWS815	Leg Mounting Bracket	2	
8	DWS816	Leg Mounting Arm (1804mm long)	2	
	DWS953	Leg Mounting Arm (2404mm long)	2	For 4 bed work
9				
10	DWS837	Disc Assembly	2	(see list at end)
11	DWS841	Marker Arm Tension Bracket	2	
12	DWS834	Lock-out Arm	2	Optional
13	GS412	1/8" BSP Straight Grease Nipple	2	
14	RPF122.116115	M16 'L' Bolt	4	
15	RPGMRP084.00001	Rubber Torsion Unit	2	
16	RPM152.303434	Retainer	2	
17	DWS872	Support Bracket (4 bodied only)	2	Used with convex body extensions
17a	DWS1164	H Duty Support Bracket (4 bodied only)	2	Used with convex body extensions
18	DWS963	Marker Arm	1	
19	22067008/050	Ø8x50 Roll Pin	2	
19a	DWS927	Adaptor Plate	2	For 80" centre line marking
	<b>DWS837</b>	<b>Disc Assembly Consists Of:</b>		
20	DW208016780	Split Pin	1	
21	DW266240071	Seal	1	
22	DW307212080	M12 Castellated Nut	1	
23	DW802703	Disc	1	
24	DWS839	Hub	1	
25	DWS838	Disc Leg	1	
26	DW802933	Spacer	1	
27	DW802934	Sealing Ring	1	
28	DW802935	Washer	1	
29	DWS840	Hub Cover Plate	1	
30	DW802937	Dust Cover	1	
31				
32	62062RS	Bearing	2	
	<b>DWS298</b>	<b>2-Bodied Marker Hydraulics</b>		
		<b>Consist Of:</b>		
35	10140	1/2" BSP Male Probe	4	
36	10128	3/8" BSP MF Swivel Adaptor	2	
37	11124	1/2" BSP Dowty Seal	4	
38	11125	3/8" BSP Dowty Seal	8	
39				
40	DW222008066	3/8" BSP M M Restrictor	2	
41	DWS299	3/8" Hose Assembly (3000mm)	2	
42	DWS300	3/8" Hose Assembly (2660mm)	2	
43	DW802611	Hydraulic Ram	2	
44	UC25	1/2" BSP x 3/8" BSP M M Adaptor	4	

**BX SERIES BEDFORMER SPARE PARTS****2.8b**

Machines from 2020

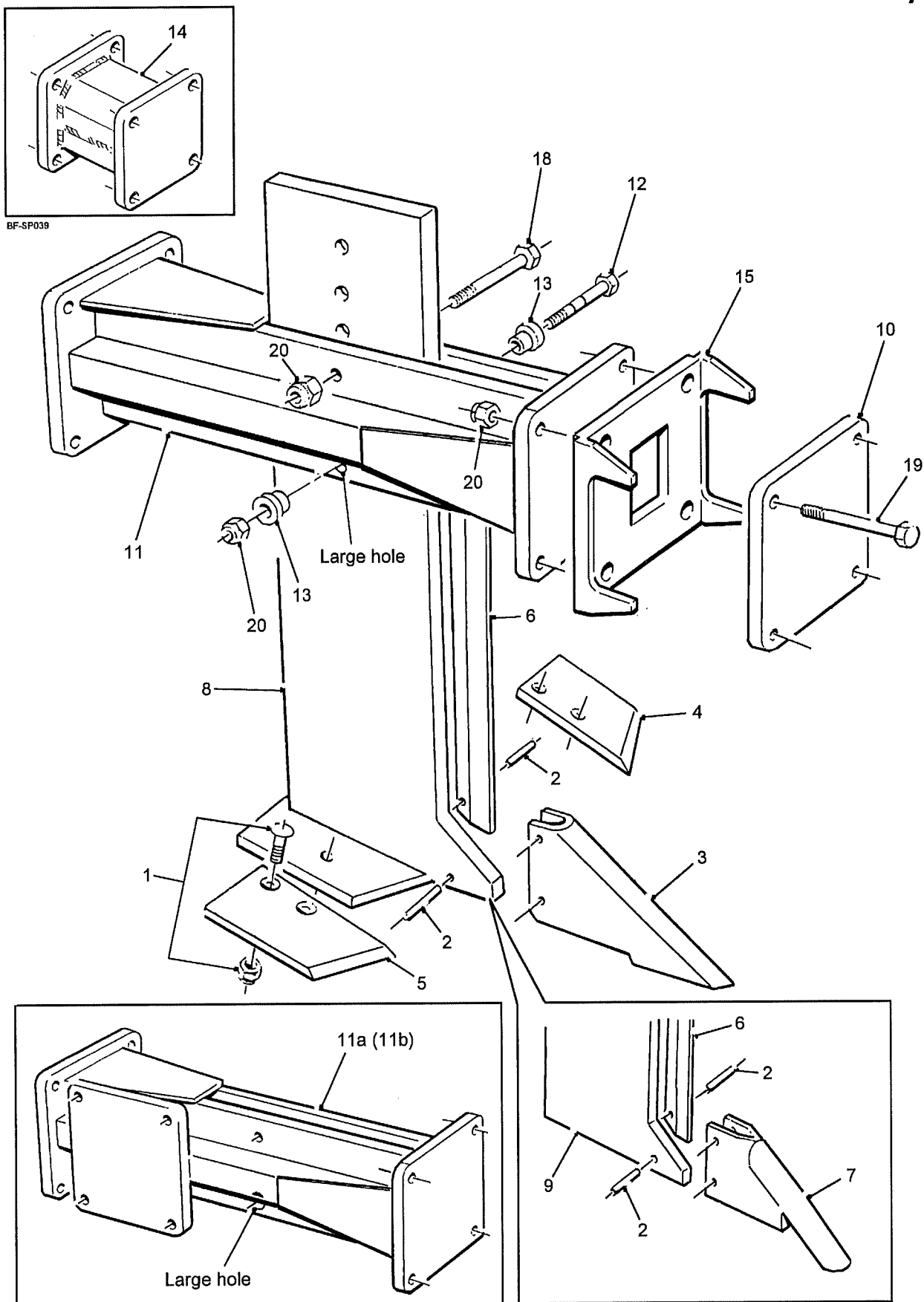
**2 & 4-Bodied Disc/Tine Markers**

(Used without Outrigger Arms)

<b>Item</b>	<b>Part No.</b>	<b>Description</b>	<b>Qty.</b>	<b>Remarks</b>
45	UC31A	3/8"BSP M M Adaptor	4	Prior to 2021 only
46	KA17316	Hose Anchor	4	
47	DW802633	Hose Clamp	1	
48	DW202046270	Ball Valve	2	
49	DWS856	Hose Support	2	



**Subsoiler Assembly**



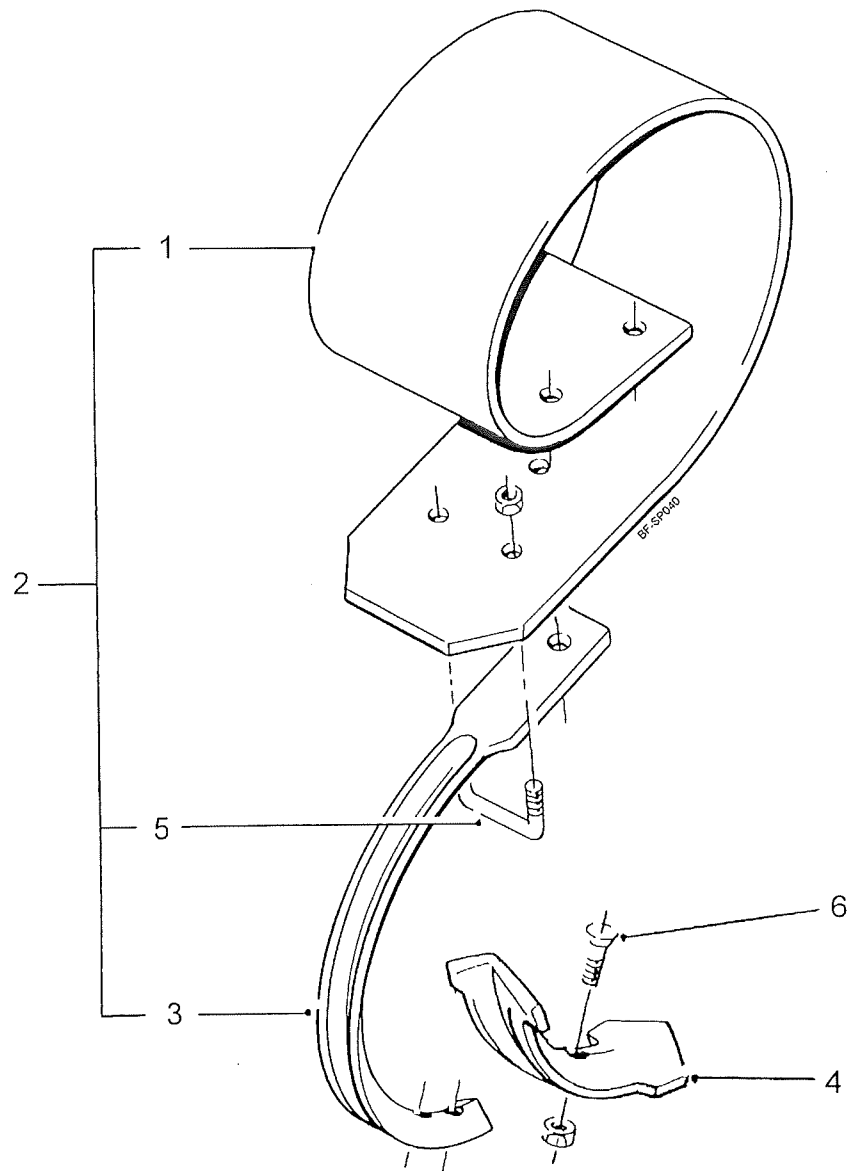
## 2.9a

## BX SERIES BEDFORMER SPARE PARTS

## Subsoiler Assembly

Item	Part No.	Description	Qty.	Remarks
1	DW154108115	1/2"UNFx1 3/8"Plough Bolt c/w Nut	4	
2	DW208089940	Tension Pin (Ø10x40mm)	2	
3	DW222035002	Chisel Point	1	
4	DW222035003	Wing Shear LH	1	
5	DW222035004	Wing Shear RH	1	
6	DW222035005	Knife	1	
7	DW222035011	Bullet Point	1	
8	DW801479	Leg (for chisel point)	1	
9	DW801480	Leg (for bullet point)	1	
10	DW801997	Clamp Plate	1	
11	DW801999	Subsoiler Bracket	1	Standard
11a	DWS595	RH Subsoiler Bracket	1	Used with outrigger arms
11b	DWS594	LH Subsoiler Bracket (not shown)	1	Used with outrigger arms
12	DW802337	Shear Bolt	1	
13	DW802338	Shear Bolt Bush	2	
14	DW801872	Extension Block (200mm)	1	
15	DWS1375A	Anti-twist Plate	1	Used from 2021
16				
17				
18	22012020/090	M20x90mm Bolt	1	
19	22012020/240	M20x240mm Bolt	4	Was 22012020/220
20	22041020	M20 Nyloc Nut	6	

Bed Loosening Tines  
Assy No DWS64



2.10a

**BX SERIES BEDFORMER SPARE PARTS**

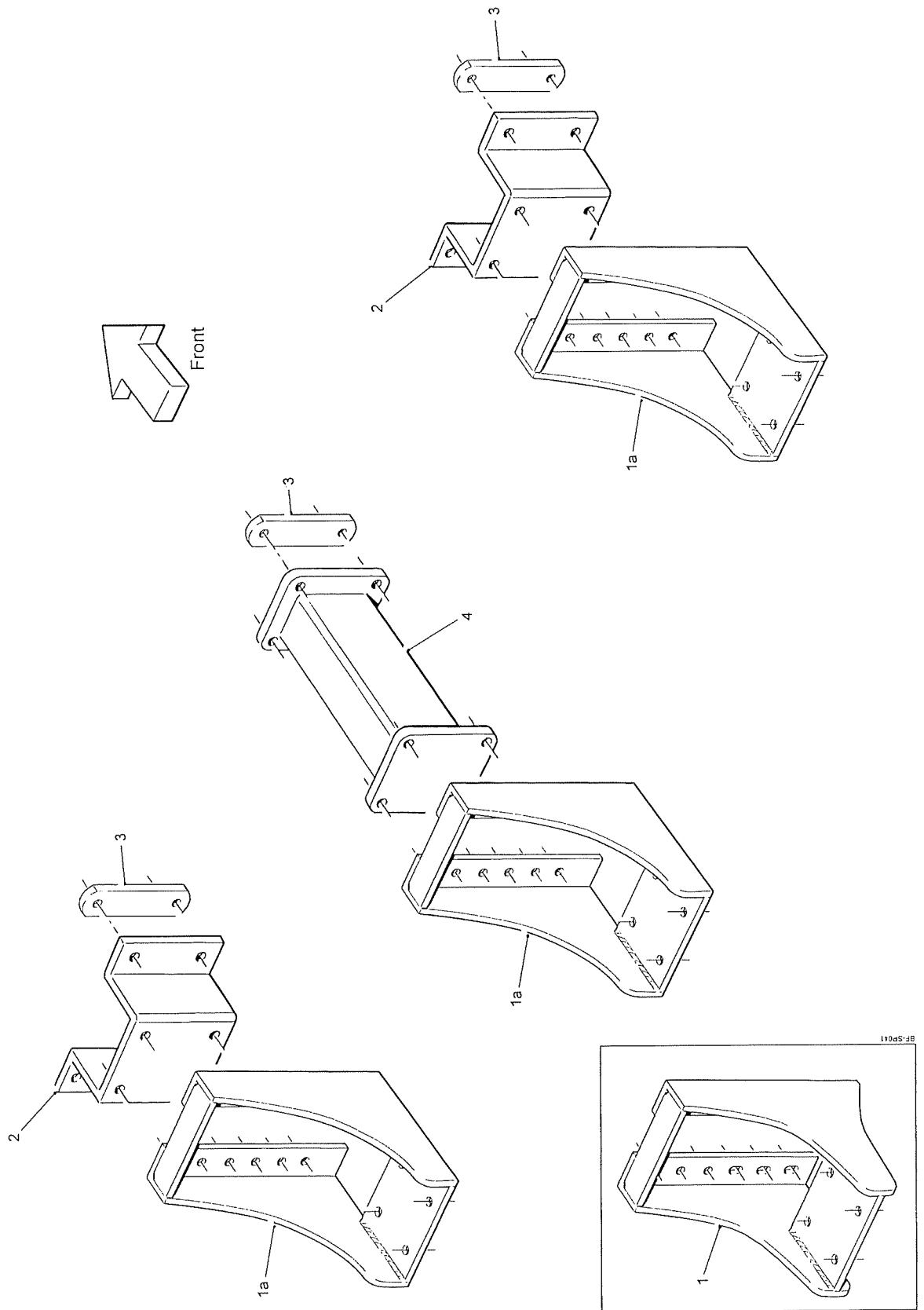
**Bed Loosening Tines**

Assy No DWS64

Item	Part No.	Description	Qty.	Remarks
1	DW222036001	Spring	1	
2	DW222036001S	Tine Assembly	1	
3	DW222036002	Tine	1	
4	DW222036003	Point	1	
5	DW222036004	U'Bolt c/w Nuts	1	
6	DW222036005	M12x50mm Oval Head Bolt c/w Nut	2	



2-Bodied Bed Loosening Tine Brackets  
Assy No DWS249



2.11a

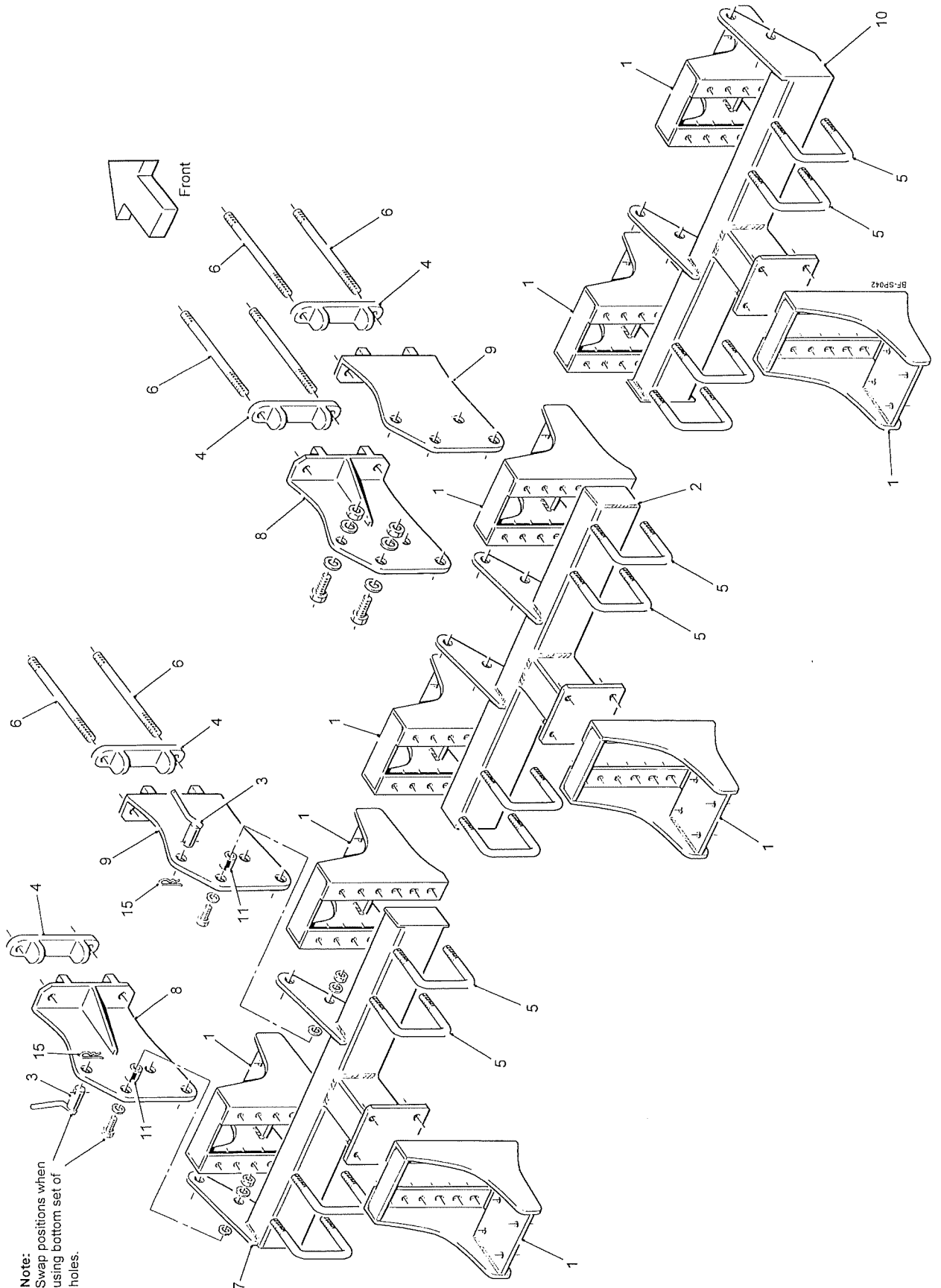
**BX SERIES BEDFORMER SPARE PARTS**

**2-Bodied Bed Loosening Tine Brackets**

Assy No DWS249

Item	Part No.	Description	Qty.	Remarks
1	DWS73	Mounting Bracket (for shear bolt leg)	3	
1a	DWS74	Mounting Bracket (for auto-reset leg)	3	
2	DWS129	Mounting Bracket	2	
3	DWS134	Clamp Plate	6	
4	DWS248	Mounting Beam	1	

**4-Bodied Bed Loosening Tine Brackets**  
 Assy No DWS786



2.12a

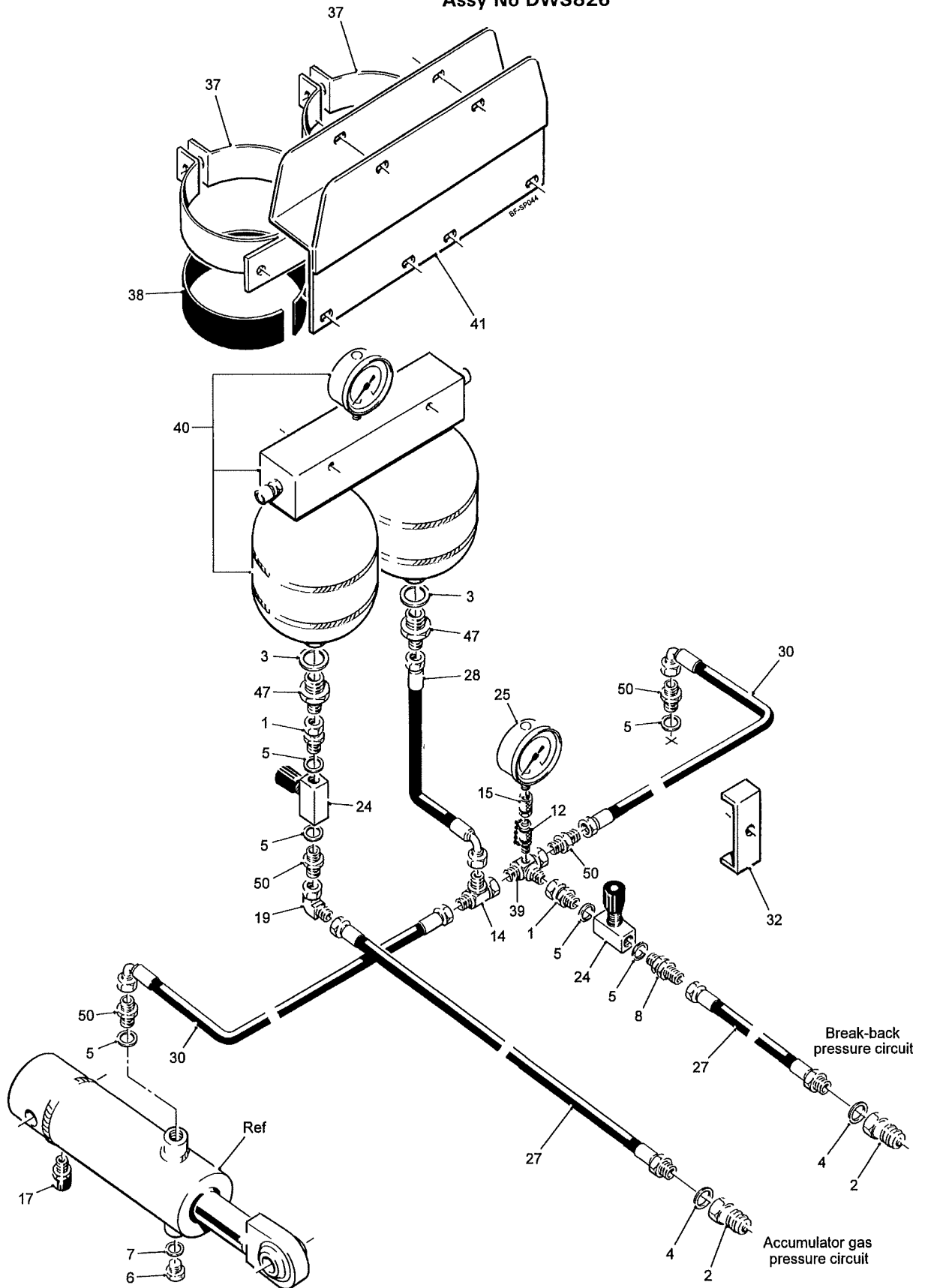
## BX SERIES BEDFORMER SPARE PARTS

## 4-Bodied Bed Loosening Tine Brackets

Assy No DWS786

Item	Part No.	Description	Qty.	Remarks
1	DWS73	Mounting Bracket	9	
2	DWS745	Tine Mounting Beam Centre	1	
3	DWS746	Locking Pin	4	
4	DWS750	Clamp Plate	6	
5	DWS757	M16 'U' Bolt	12	
6	DWS851	M24 Threaded Rod	12	
7	DWS855	Tine Mounting Beam LH	1	
8	DWS857	Tine Mounting Bracket LH	3	
9	DWS858	Tine Mounting Bracket RH	3	
10	DWS859	Tine Mounting Beam RH	1	
11	DWS867	Pivot Boss	4	
12				
13				
14				
15	H105A	'R' Clip	4	

**2-Bodyed Auto-reset Hydraulics**  
 Assy No DWS826

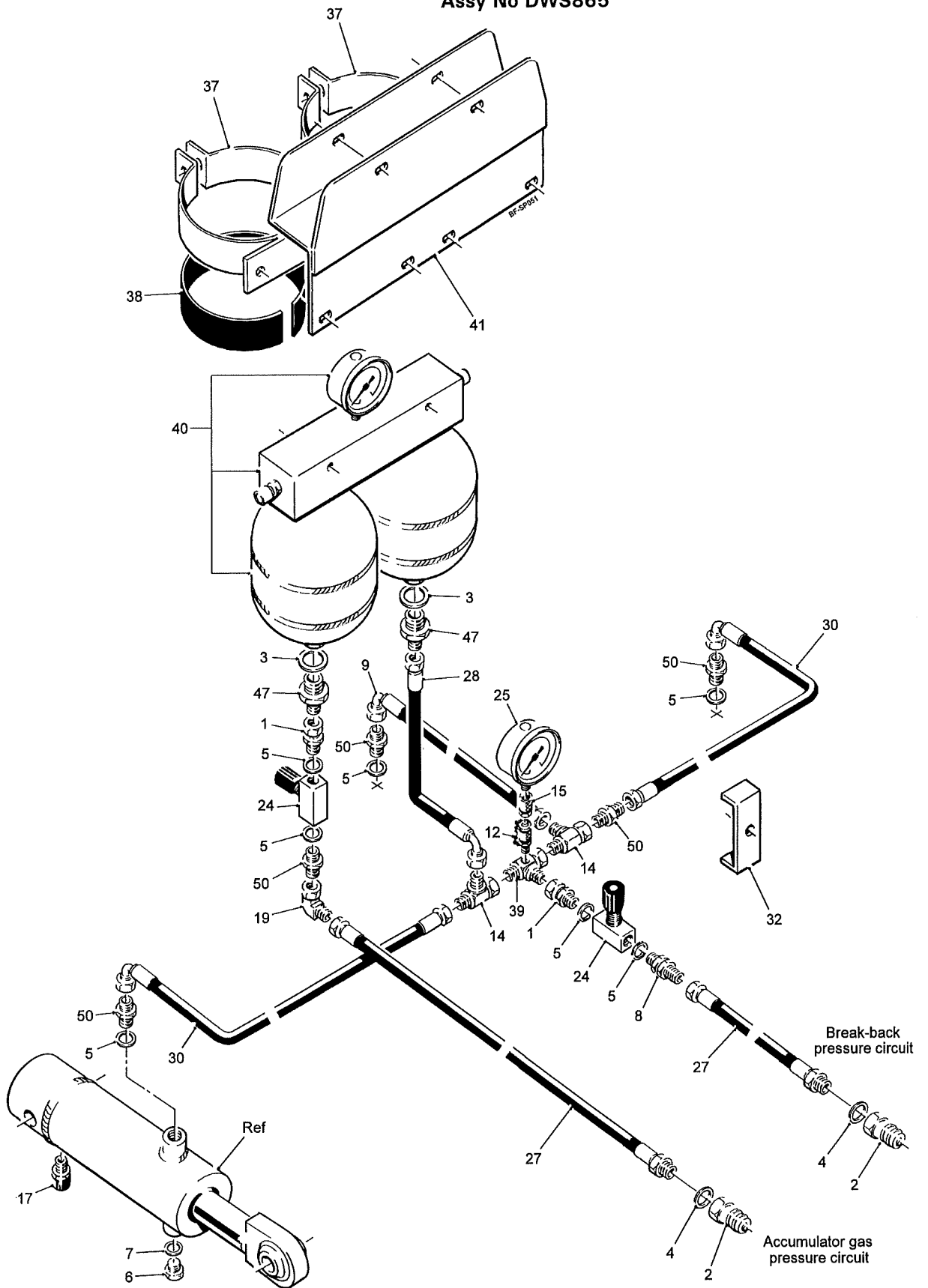


**2.13a****BX SERIES BEDFORMER SPARE PARTS****2-Bodied Auto-reset Hydraulics**

Assy No DWS826

Item	Part No.	Description	Qty.	Remarks
1	10128	3/8"BSP M F Swivel Adaptor	2	
2	10140	1/2"BSP Probe	2	
3	11123	3/4"BSP Dowty Seal	2	
4	11124	1/2"BSP Dowty Seal	2	
5	11125	3/8"BSP Dowty Seal	6	
6	11876/8	1/4"BSP Blanking Plug	4	
7	11337	1/4"BSP Dowty Seal	2	
8	10466	3/8"BSP Bulkhead Adaptor	1	
9				
10				
11				
12	42305	Gauge Port	1	
13				
14	46939	3/8"BSP F M M Tee	1	
15	46960	Pressure Gauge Adaptor	1	
16				
17	60370	1/4"BSP Breather	2	
18				
19	42343	3/8"BSP M F Compact 90°Adaptor	1	
20				
21				
22				
23				
24	DW202009220	Tap	2	
25	DW202085010	Pressure Gauge	1	
26				
27	DW801208	3/8"Hose Assembly (1360mm)	2	
28	DW801307	3/8"Hose Assembly (460mm)	1	
29				
30	60169	3/8"Hose Assembly (1450mm)	2	
31				
32	DW802633	Hose Clamp	2	
33				
34				
35				
36				
37	DWS120	Accumulator Bracket	2	
38	DWS347	Rubber Packer	2	
39	DWS443	3/8"BSP F M M Gauge Tee	1	
40	DWS724	Dual Accumulator Complete	1	
41	DWS744	Accumulator Plate	1	
42				
43				
44				
45				
46				
47	SPCT7	3/8"BSPx3/4"BSP M M Adaptor	2	
48				
49				
50	UC31A	3/8"BSP M M Adaptor	4	

**3-Bodyed Auto-reset Hydraulics**  
 Assy No DWS865



## 2.14a

## BX SERIES BEDFORMER SPARE PARTS

## 3-Bodied Auto-reset Hydraulics

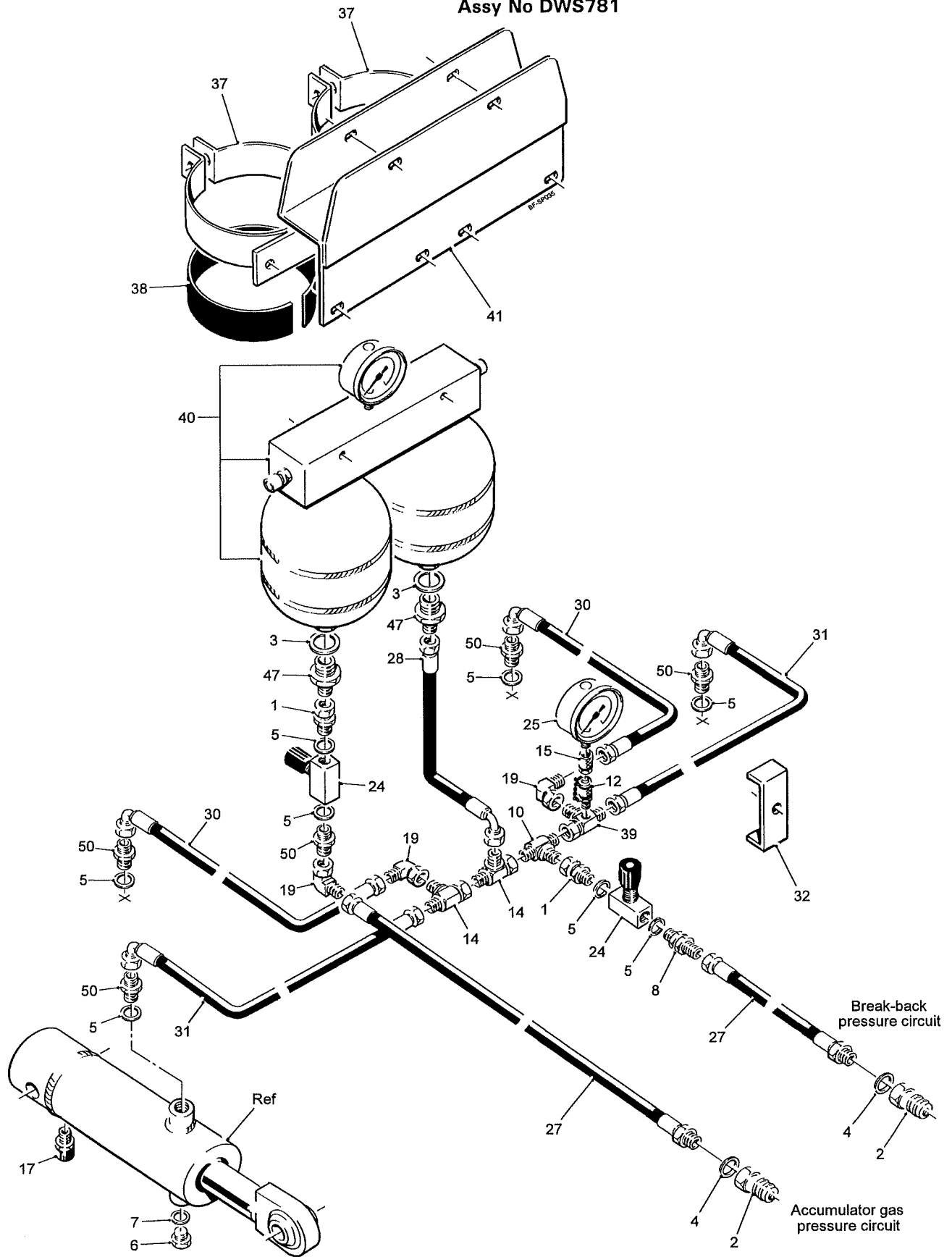
Assy No DWS865

Item	Part No.	Description	Qty.	Remarks
1	10128	3/8"BSP M F Swivel Adaptor	2	
2	10140	1/2"BSP Probe	2	
3	11123	3/4"BSP Dowty Seal	2	
4	11124	1/2"BSP Dowty Seal	2	
5	11125	3/8"BSP Dowty Seal	7	
6	11876/8	1/4"BSP Blanking Plug	5	
7	11337	1/4"BSP Dowty Seal	3	
8	10466	3/8"BSP Bulkhead Adaptor	1	
9	11746	3/8"Hose Assembly (500mm)	1	Standard
	DW802596	3/8"Hose Assembly (1000mm)	1	Used with subsoiler legs
10				
11				
12	42305	Gauge Port	1	
13				
14	46939	3/8"BSP F M M Tee	2	
15	46960	Pressure Gauge Adaptor	1	
16				
17	60370	1/4"BSP Breather	3	
18				
19	42343	3/8"BSP M F Compact 90° Adaptor	1	
20				
21				
22				
23				
24	DW202009220	Tap	2	
25	DW202085010	Pressure Gauge	1	
26				
27	DW801208	3/8"Hose Assembly (1360mm)	2	
28	DW801307	3/8"Hose Assembly (460mm)	1	
29				
30	60239	3/8"Hose Assembly (2500mm)	2	
31				
32	DW802633	Hose Clamp	2	
33				
34				
35				
36				
37	DWS120	Accumulator Bracket	2	
38	DWS347	Rubber Packer	2	
39	DWS443	3/8"BSP F M M Gauge Tee	1	
40	DWS724	Dual Accumulator Complete	1	
41	DWS744	Accumulator Plate	1	
42				
43				
44				
45				
46				
47	SPCT7	3/8"BSPx3/4"BSP M M Adaptor	2	
48				
49				
50	UC31A	3/8"BSP M M Adaptor	5	



**4-Bodied Auto-reset Hydraulics**

Assy No DWS781



## 2.15a

## BX SERIES BEDFORMER SPARE PARTS

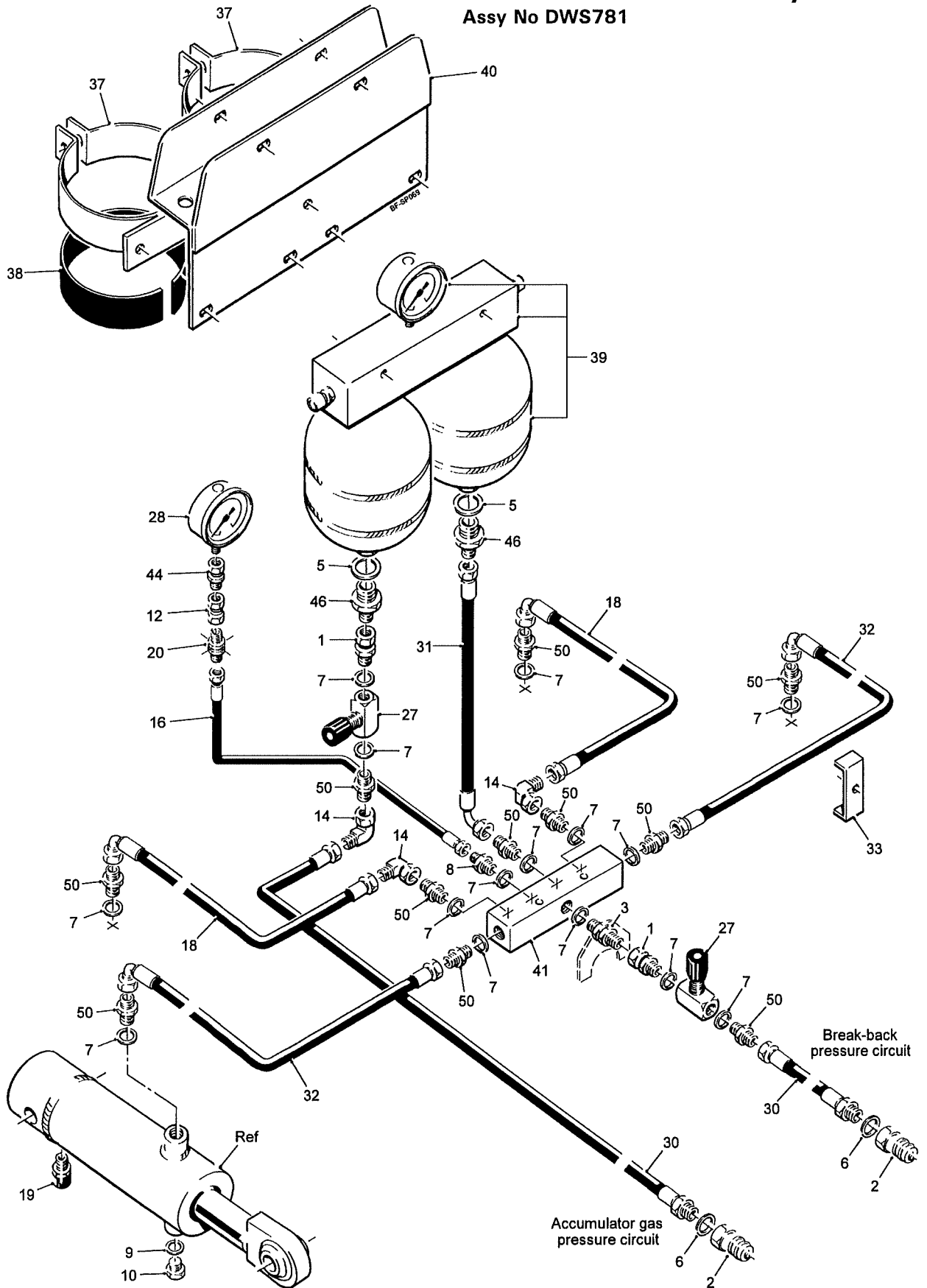
## 4-Bodied Auto-reset Hydraulics

Assy No DWS781

Item	Part No.	Description	Qty.	Remarks
1	10128	3/8"BSP M F Swivel Adaptor	2	
2	10140	1/2"BSP Probe	2	
3	11123	3/4"BSP Dowty Seal	2	
4	11124	1/2"BSP Dowty Seal	2	
5	11125	3/8"BSP Dowty Seal	8	
6	11876/8	1/4"BSP Blanking Plug	4	
7	11337	1/4"BSP Dowty Seal	4	
8	10466	3/8"BSP Bulkhead Adaptor	1	
9				
10	23139	3/8"BSP M M M Tee	1	
11				
12	42305	Gauge Port	1	
13				
14	46939	3/8"BSP F M M Tee	2	
15	46960	Pressure Gauge Adaptor	1	
16				
17	60370	1/4"BSP Breather	4	
18				
19	42343	3/8"BSP M F Compact 90° Adaptor	3	
20				
21				
22				
23				
24	DW202009220	Tap	2	
25	DW202085010	Pressure Gauge	1	
26				
27	DW801208	3/8"Hose Assembly (1360mm)	2	
28	DW801307	3/8"Hose Assembly (460mm)	1	
29				
30	60169	3/8"Hose Assembly (1450mm)	2	
31	DW802632	3/8"Hose Assembly (4050mm)	2	
32	DW802633	Hose Clamp	2	
33				
34				
35				
36				
37	DWS120	Accumulator Bracket	2	
38	DWS347	Rubber Packer	2	
39	DWS443	3/8"BSP F M M Gauge Tee	1	
40	DWS724	Dual Accumulator Complete	1	
41	DWS744	Accumulator Plate	1	
42				
43				
44				
45				
46				
47	SPCT7	3/8"BSPx3/4"BSP M M Adaptor	2	
48				
49				
50	UC31A	3/8"BSP M M Adaptor	5	

Machines from 2024

## 4-Bodied Auto-reset Hydraulics Assy No DWS781



**2.15a****BX SERIES BEDFORMER SPARE PARTS**

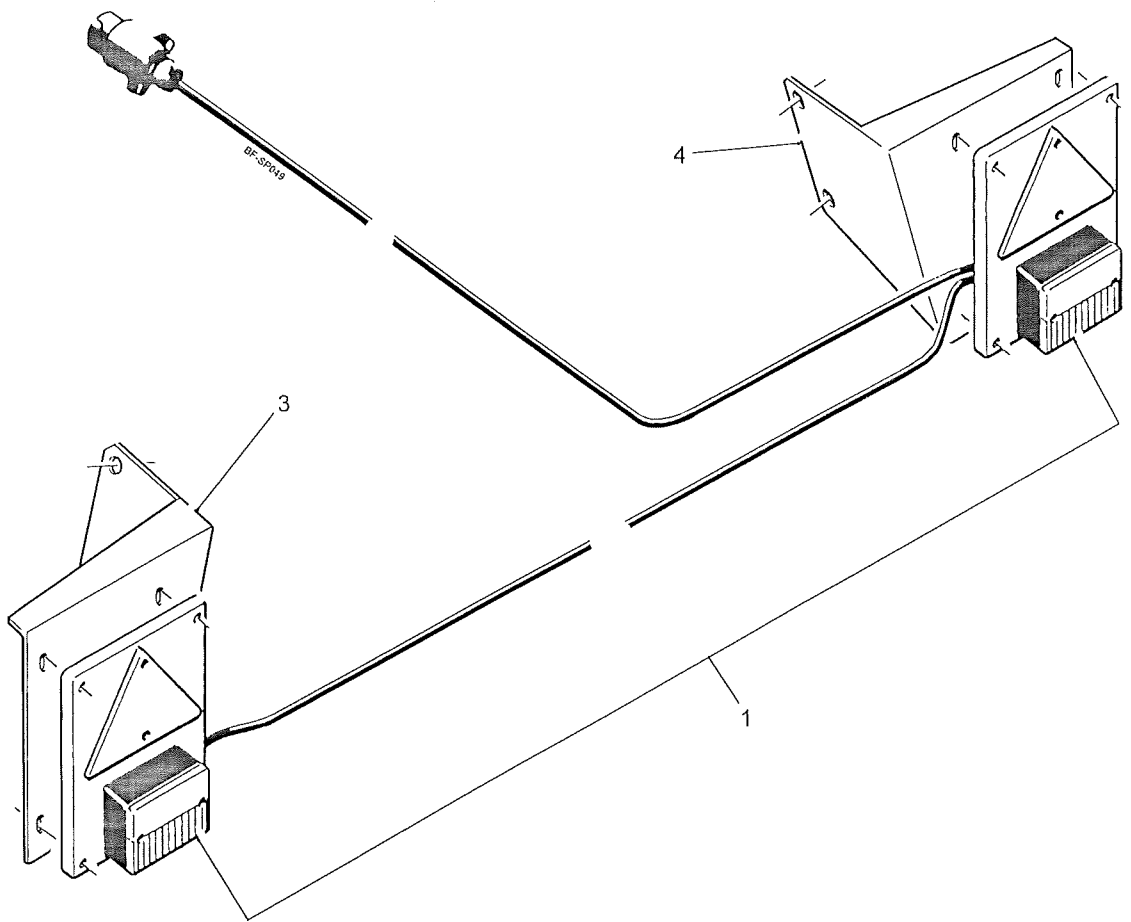
Machines from 2024

**4-Bodied Auto-reset Hydraulics**

Assy No DWS781

Item	Part No.	Description	Qty.	Remarks
1	10128	3/8"BSP M F Swivel Adaptor	2	
2	10140	1/2"BSP Probe	2	
3	10466	3/8"BSP Bulkhead Adaptor	1	
4				
5	11123	3/4"BSP Dowty Seal	2	
6	11124	1/2"BSP Dowty Seal	2	
7	11125	3/8"BSP Dowty Seal	15	
8	11336	1/4"BSPx3/8"BSP M M Adaptor	1	
9	11337	1/4"BSP Dowty Seal	4	
10	11876/8	1/4"BSP Blanking Plug	4	
11				
12	27450	1/4"BSP F F Swivel Adaptor	1	
13				
14	42343	3/8"BSP M F Compact 90° Adaptor	3	
15				
16	44042	1/4"Hose Assembly (900mm)	1	
17				
18	60169	3/8"Hose Assembly (1450mm)	2	
19	60370	1/4"BSP Breather	4	
20	60483	1/4"BSP Bulkhead Adaptor	1	
21				
22				
23				
24				
25				
26				
27	DW202009220	3/8"BSP Tap	2	
28	DW202085010	Pressure Gauge	1	
29				
30	DW801208	3/8"Hose Assembly (1360mm)	2	
31	DW801307	3/8"Hose Assembly (460mm)	1	
32	DW802632	3/8"Hose Assembly (4050mm)	2	
33	DW802633	Hose Clamp	2	
34				
35				
36				
37	DWS120	Accumulator Bracket	2	
38	DWS347	Rubber Packer	2	
39	DWS724	Dual Accumulator Complete	1	
40	DWS744	Accumulator Plate	1	
41	DWS1475	7-Way Manifold Block	1	
42				
43				
44	KA20602	1/4"BSP Mx1/4"BSP F Gauge Adaptor	1	
45				
46	SPCT7	3/8"BSPx3/4"BSP M M Adaptor	2	
47				
48	TR563	Accumulator Decal	1	Not shown
49				
50	UC31A	3/8"BSP M M Adaptor	11	

**4-Bodied Road Lighting Kit**  
Assy No DWS794



2.17a

**BX SERIES BEDFORMER SPARE PARTS**

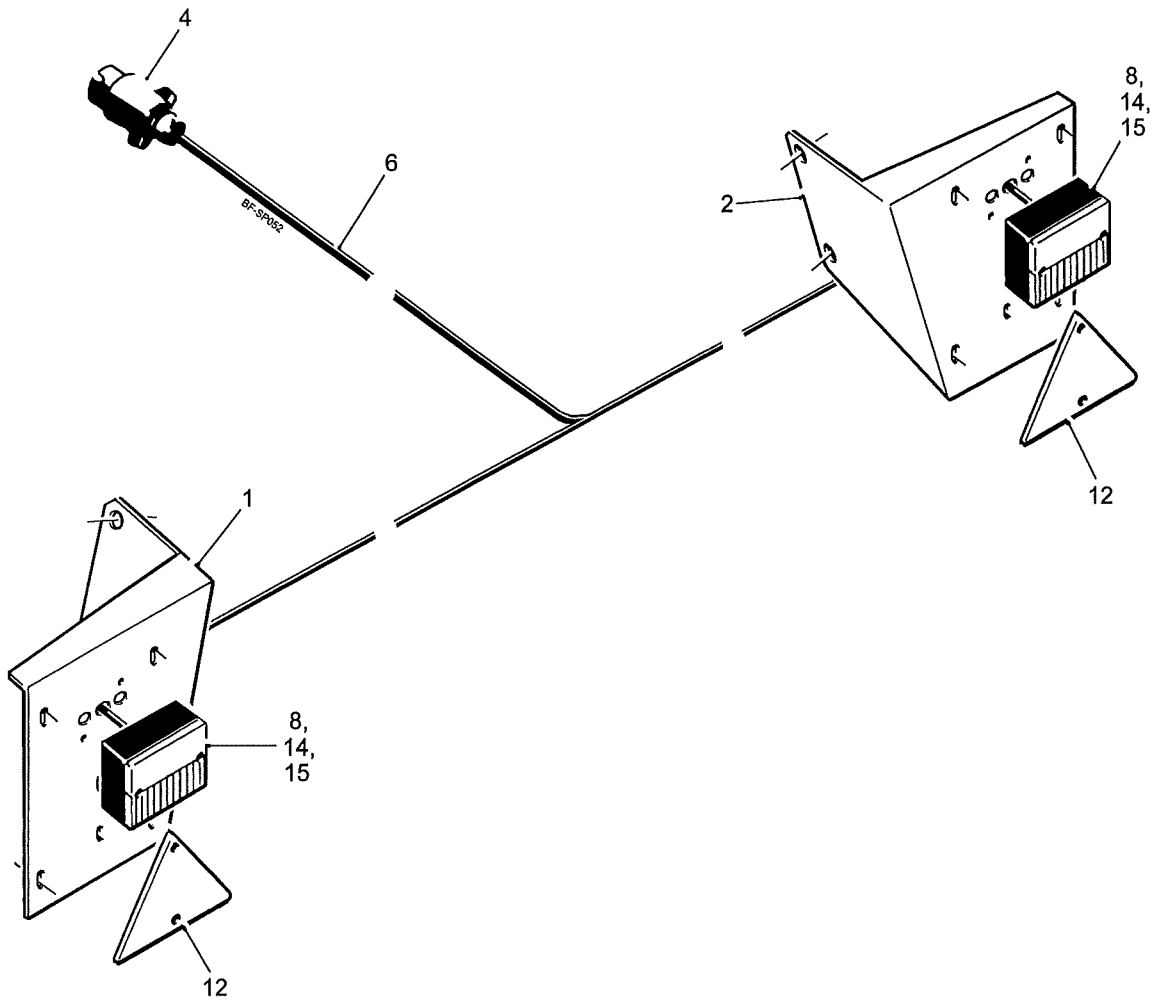
**4-Bodied Road Lighting Kit**

Assy No DWS794

Item	Part No.	Description	Qty.	
1	42088/2	Trailer Board Lighting Kit Complete	1	
2				
3	DWS795	LH Mounting Bracket	1	
4	DWS796	RH Mounting Bracket	1	

Machines from 2011

**4-Bodied Road Lighting Kit**  
Assy No DWS794



**2.17a****BX SERIES BEDFORMER SPARE PARTS**

Machines from 2011

**4-Bodied Road Lighting Kit****Assy No DWS794**

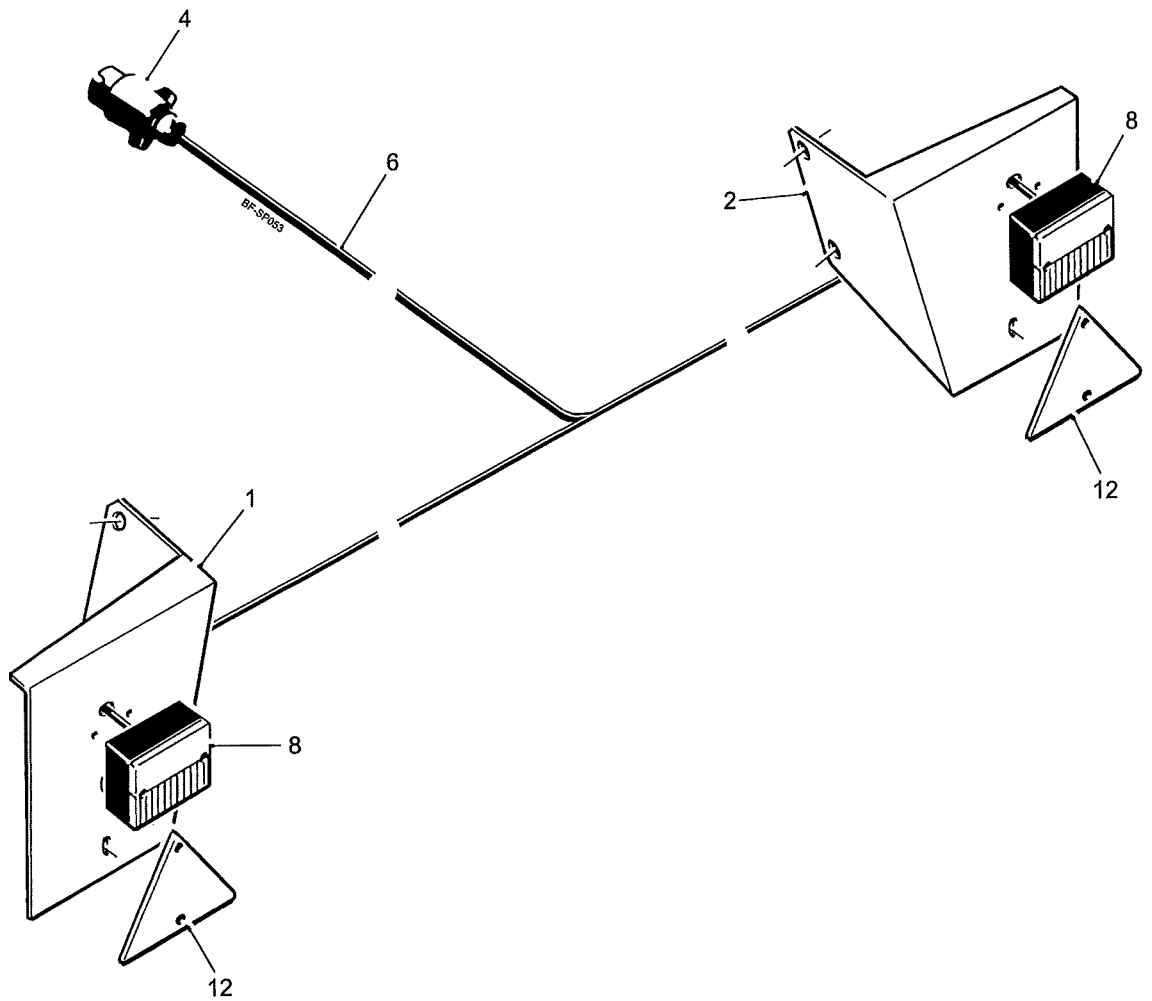
<b>Item</b>	<b>Part No.</b>	<b>Description</b>	<b>Qty.</b>	<b>Remarks</b>
1	DWS795	LH Mounting Bracket	1	
2	DWS796	RH Mounting Bracket	1	
3				
4	10134	7 Pin Plug	1	
5				
6	11369	7 Core Cable	a/r	
7				
8	42088/4	Rear Light c/w Bulbs	2	
9				
10				
11				
12	RPE272.307748	Red Triangle Reflector	2	
13				
14	RPS2	Rear Stop Bulb	2	
15	RPS3	Rear Indicator Bulb	2	



Machines from 2013

**4-Bodied Road Lighting Kit**

Assy No DWS794



**2.17a****BX SERIES BEDFORMER SPARE PARTS**

Machines from 2013

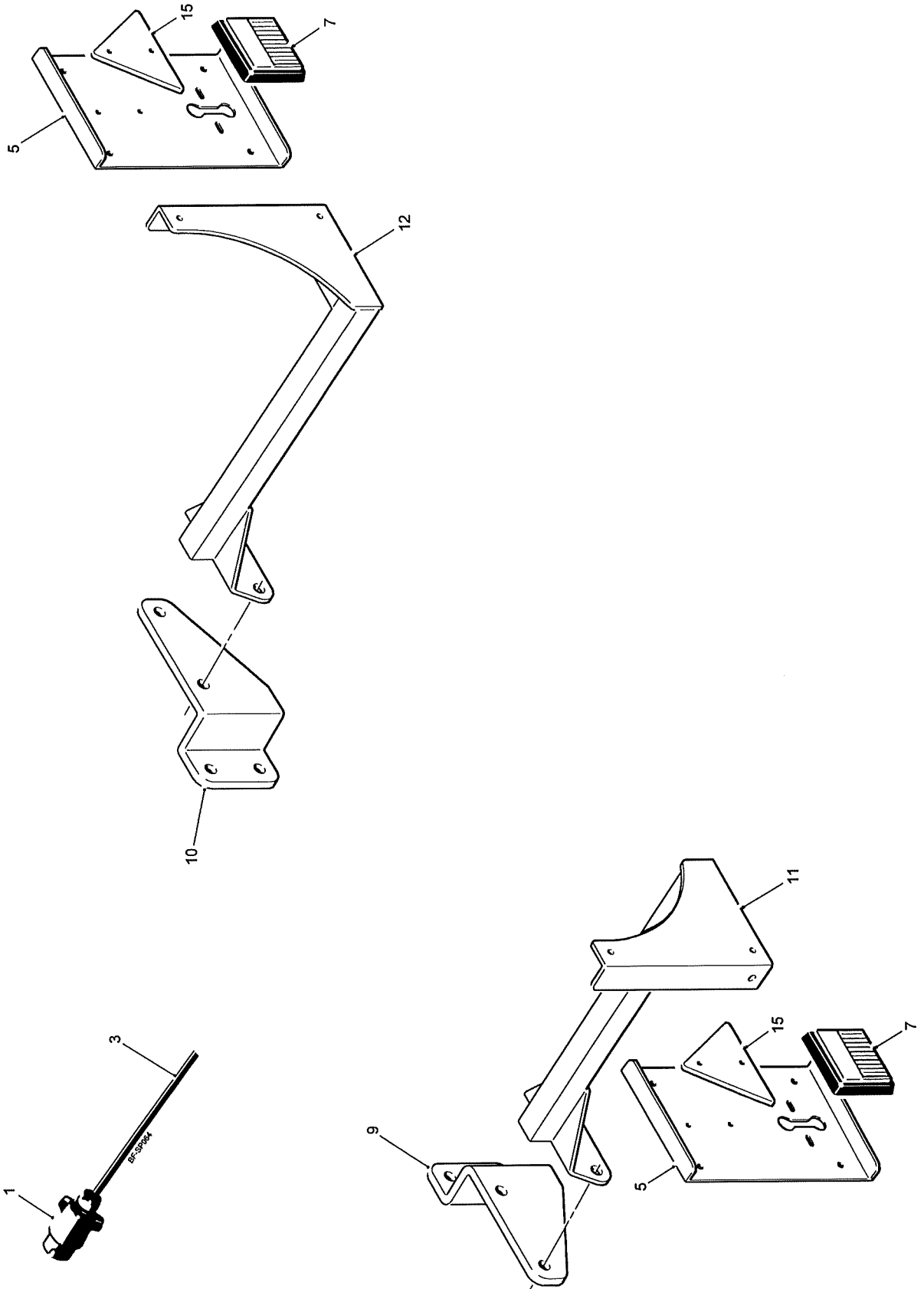
**4-Bodied Road Lighting Kit**

Assy No DWS794

Item	Part No.	Description	Qty.	Remarks
1	DWS795A	LH Mounting Bracket	1	
2	DWS796A	RH Mounting Bracket	1	
3				
4	10134	7 Pin Plug	1	
5				
6	11369	7 Core Cable	a/r	
7				
8	62217A	LED Rear Light	2	Prior to 2014 was 62217
9				
10				
11				
12	RPE272.307748	Red Triangle Reflector	2	

Machines prior to 2024

**4-Bodied Road Lighting Kit**



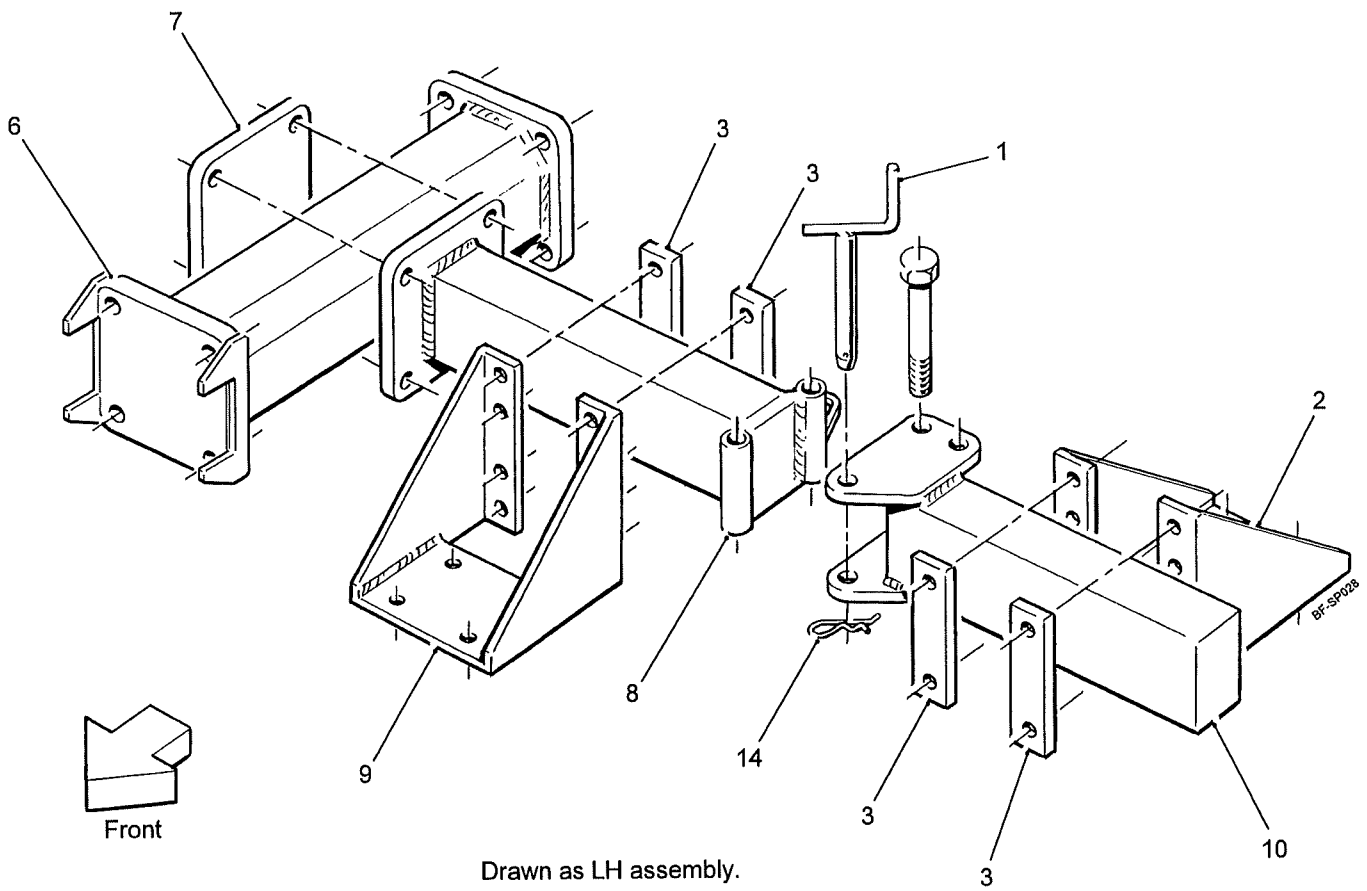
**2.17a****BX SERIES BEDFORMER SPARE PARTS**

Machines prior to 2024

**4-Bodied Road Lighting Kit**

<b>Item</b>	<b>Part No.</b>	<b>Description</b>	<b>Qty.</b>	<b>Remarks</b>
1	10134	7 Pin Plug	1	
2				
3	11369	7 Core Cable	a/r	
4				
5	46438	Light Plate	2	
6				
7	62217A	LED Rear Light	2	
8				
9	DWS1467	Mounting Bracket LH	1	
10	DWS1468	Mounting Bracket RH	1	
11	DWS1324	LH Light Bracket	1	
12	DWS1325	RH Light Bracket	1	
13				
14				
15	RPE272.307748	Red Triangle Reflector	2	

**2-Bodyed Outrigger Arms**  
Assy No DWS244

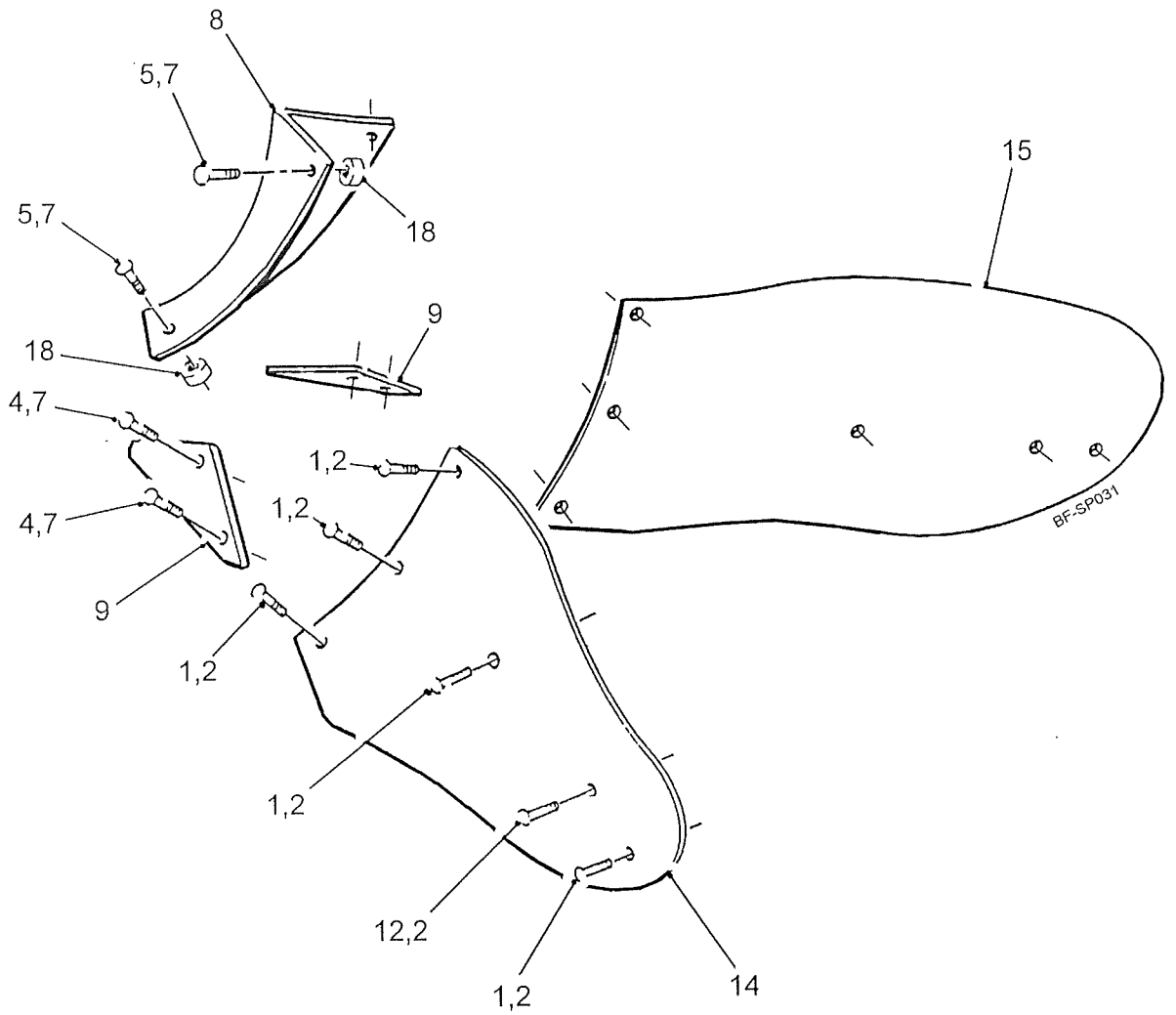


**2.18a****BX SERIES BEDFORMER SPARE PARTS****2-Bodied Outrigger Arms**

Assy No DWS244

Item	Part No.	Description	Qty.	Remarks
1	DW801486	Locking Pin	2	
2	DW801494	Tine Bracket (long)	2	
3	DW802344	Clamp Plate	8	
4				
5				
6	DWS142	Extension Arm (610mm)	2	
7	DWS470	Clamp Plate	2	
8	DWS472	Extension Bracket (72"work)	2	
9	DWS478	Tine Bracket (short)	2	
10	DWS487	Outrigger Arm	2	
11				
12				
13				
14	H105A	R' Clip	2	

**Standard Furrow Facing Kit**  
Assy No DWS418



2.19a

## BX SERIES BEDFORMER SPARE PARTS

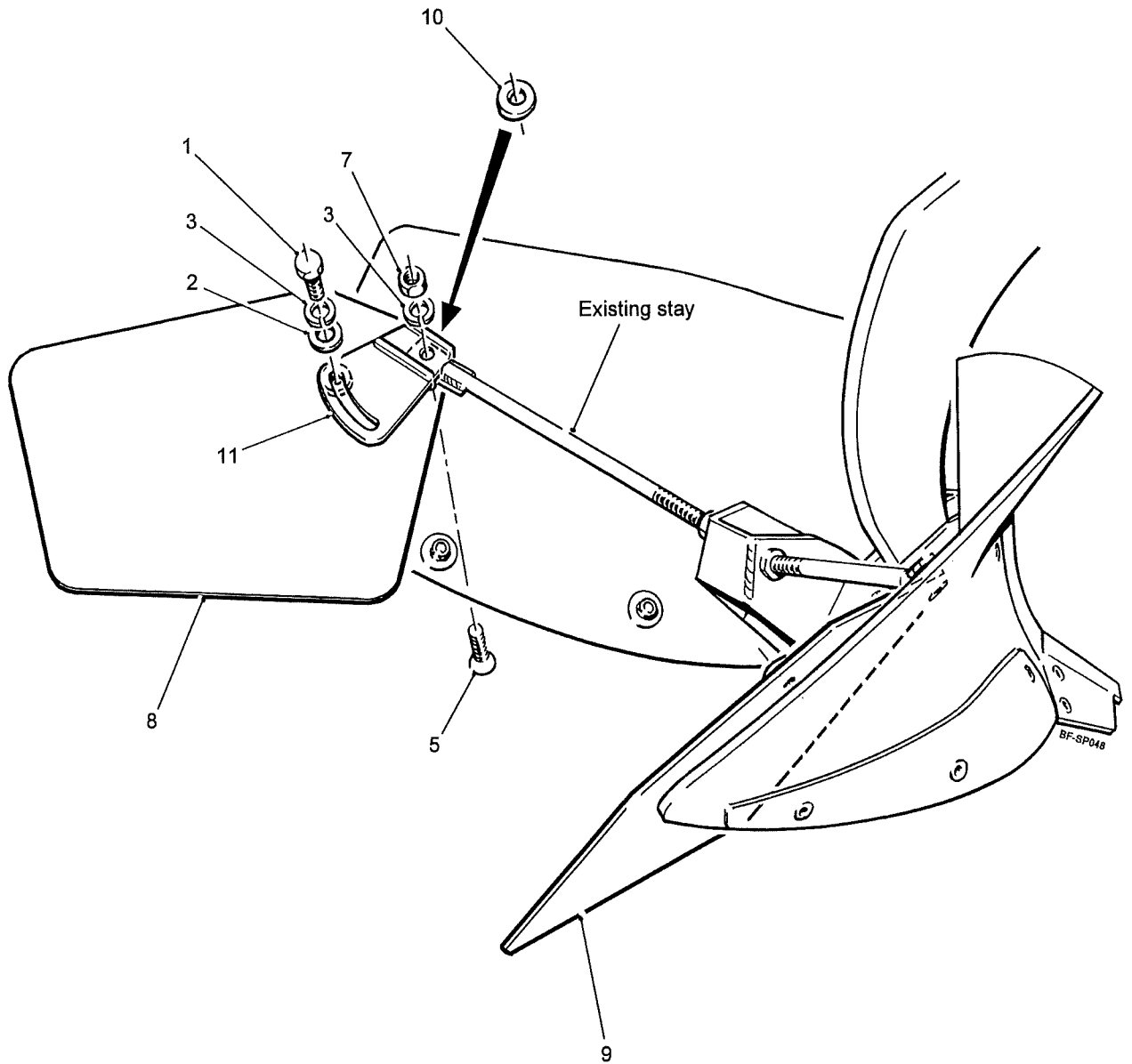
## Standard Furrower Facing Kit

Assy No DWS418

Item	Part No.	Description	Qty.
1	22016012/040	M12x40 CSK Socket Head Screw	10
2	22041012	M12 Nyloc Nut	12
3			
4	DW222008069	M12 Fine x42 Special Taper Bolt	4
5	DW222008074	M12 Fine x45 CSK Nibbed Bolt	4
6			
7	DWS113	M12 Fine Whiz-lock Nut	8
8	DWS501	Shin	1
9	DWS502	Wing Spacer	2
10			
11			
12	RPF134.112050	M12x50 CSK Socket Head Screw	2
13			
14	RPS123	LH Mouldboard Facing	1
15	RPS124	RH Mouldboard Facing	1
16			
17			
18	SS025013/008	Steel Spacer	4



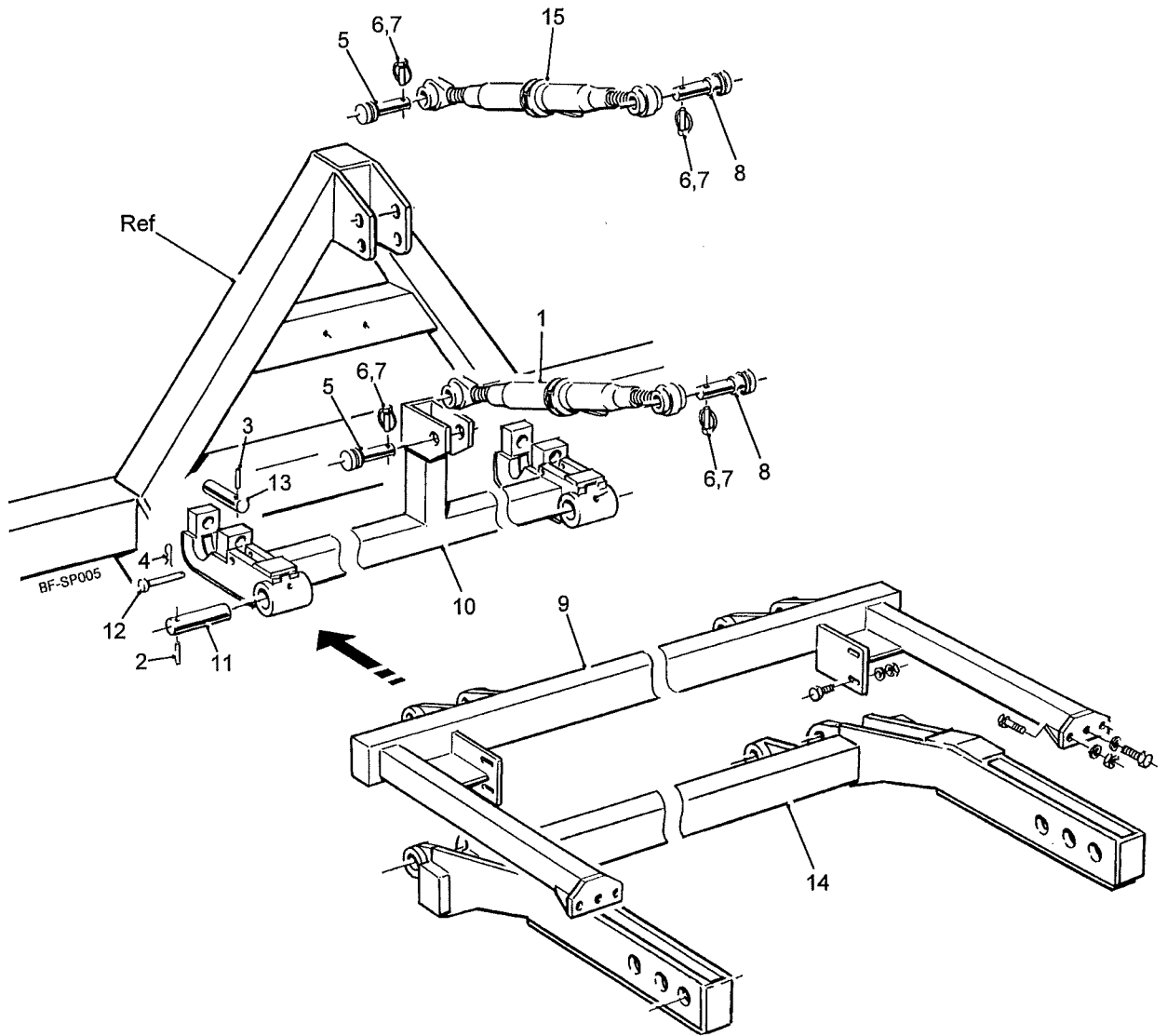
**Convex Body Extension Kit**  
Assy No DWS734



**2.20a****BX SERIES BEDFORMER SPARE PARTS****Convex Body Extension Kit****Assy No DWS734**

<b>Item</b>	<b>Part No.</b>	<b>Description</b>	<b>Qty.</b>	<b>Remarks</b>
1	22011012/020	M12x20 Setscrew	2	
2	22046012C	M12 Flat Washer	2	
3	22052012	M12 Spring Washer	4	
4				
5	DW222008132	M12x50 Special CSK Nibbed Bolt	2	Part was DW222008074
6				
7	DWS113	M12 Whiz Lock Nut	2	
8	DWS731	LH Extension Plate	1	
9	DWS732	RH Extension Plate	1	
10	DWS751	Tapered Spacer	2	
11	DWS828	Adaptor Plate	2	

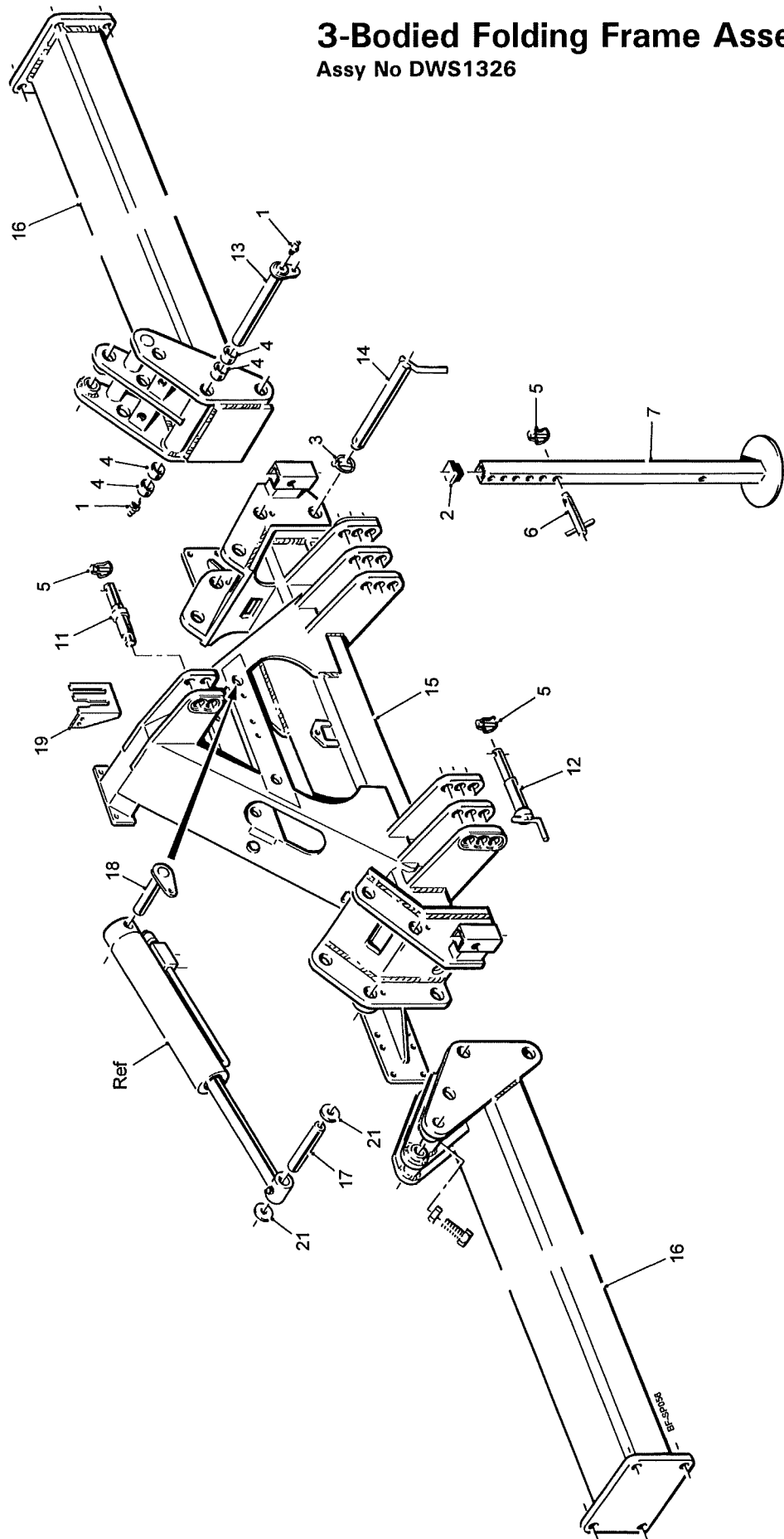
**Powavator/harrow Mounting Frames**



## Powavator/harrow Mounting Frames

Item	Part No.	Description	Qty.	Remarks
1	DW208007940	Ratchet Jack (small)	1	
2	DW208012670	Tension Pin (Ø6x60mm)	2	
3	DW208012745	Tension Pin (Ø10x60mm)	2	
4	DW208014390	R'Clip	2	
5	DW305098	Drawpin	2	
6	DW50934	Clip Pin	3	
7	DW60495	Clip Ring	3	
8	DW800230	Top Hitch Pin (CAT 2)	2	
9	DW801032	Powavator Mounting Frame	1	Used with Powavator only
10	DW801044	Hitch Frame (shown)	1	
	DW801044A	Hitch Frame (with quick hitch hooks)	1	
11	DW801057	Pivot Pin	2	
12	DW801136	Locking Pin	2	
13	DW801143	Sliding Bolt	2	
14	DW801174	Powerharrow Mounting Frame	1	Used with Powerharrow only
15	DW208007950	Ratchet Jack (large)	1	

**3-Bodyed Folding Frame Assembly**  
Assy No DWS1326

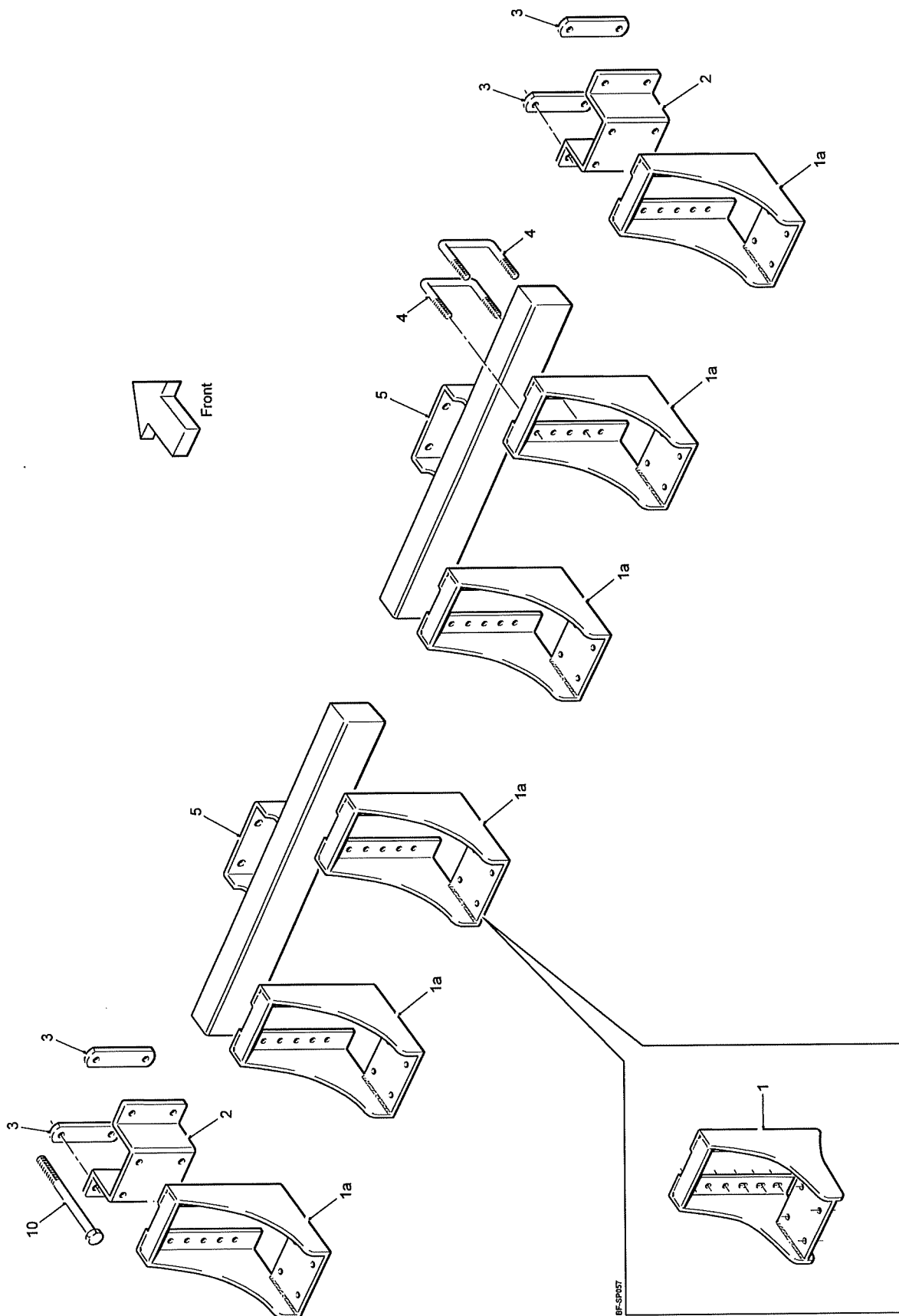


**2.22a****BX SERIES BEDFORMER SPARE PARTS****3-Bodied Folding Frame Assembly**

Assy No DWS1326

Item	Part No.	Description	Qty.	Remarks
1	DW202030870	M6 Grease Nipple	4	
2	DW208044090	Plastic Insert (2"x2")	2	
3	DW208092100	Linch Pin	2	
4	DW254044203	Bush	8	
5	DW50934	Clip Pin	5	
6	DW650247	Stand Pin	2	
7	DW801201	Stand	2	
8				
9				
10				
11	DWS414	Top Link Pin (CAT 2&3)	1	
12	DWS415	Bottom Link Pin (CAT 2&3)	2	
13	DWS742	Pivot Pin	2	
14	DWS743	Locking Pin	2	
15	DWS1319	3-Bodied Frame	1	
16	DWS1320	Side Arm	2	
17	DWS1321	Ram Pin	2	
18	DWS1323	Ram Pin	2	
19	DWS1336	Hose Carrier	1	
20				
21	SS050011/005	Steel Spacer	4	

**3-Bodied Bed Loosening Tine Brackets**  
Assy No DWS1327



BF-SPO57

**2.23a****BX SERIES BEDFORMER SPARE PARTS****3-Bodied Bed Loosening Tine Brackets**

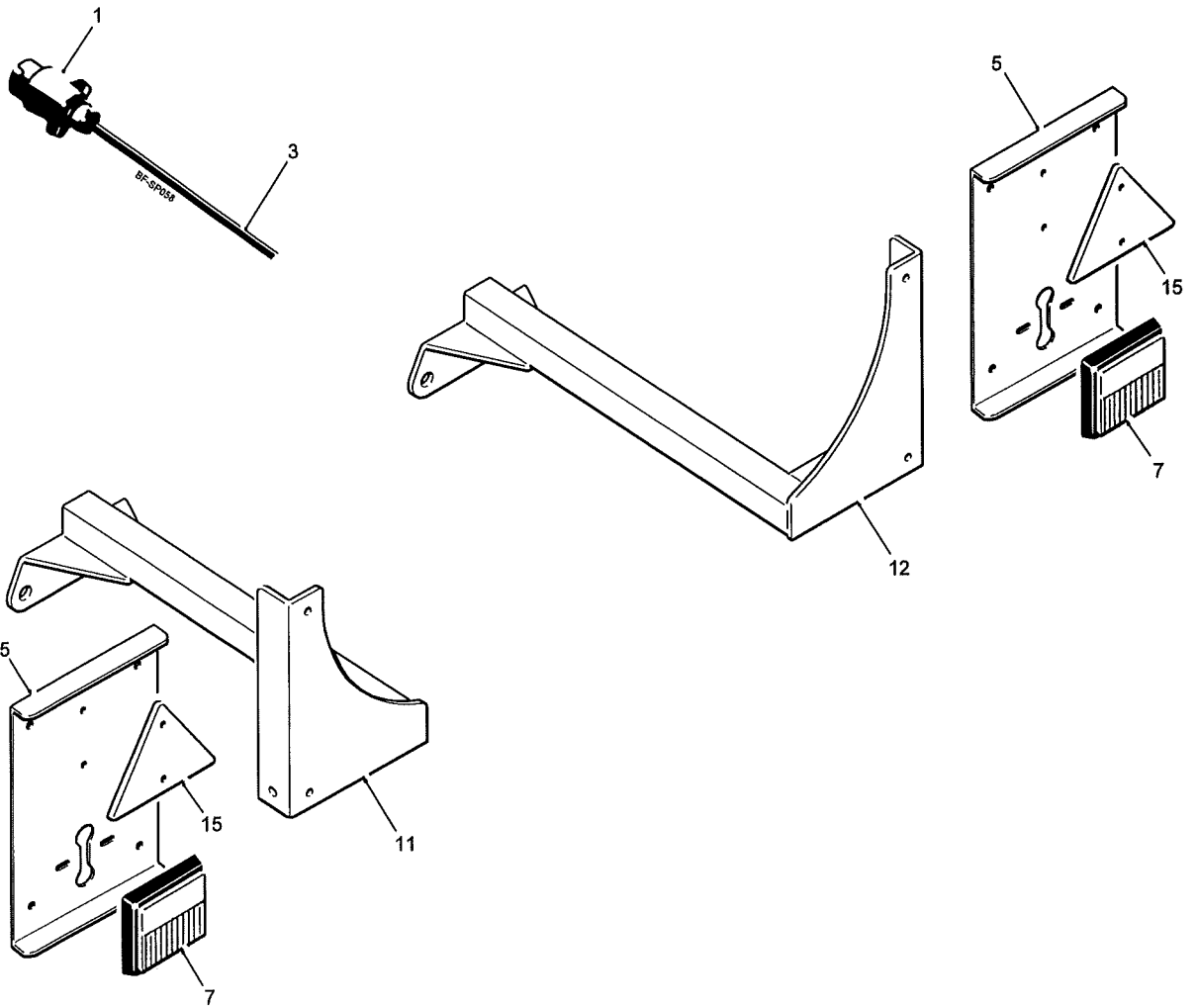
Assy No DWS1327

Item	Part No.	Description	Qty.	Remarks
1	DWS73	Mounting Bracket (for shear bolt leg)	6	
1a	DWS74	Mounting Bracket (for auto-reset leg)	6	
2	DWS129	Mounting Bracket	2	
3	DWS134	Clamp Plate	4	
4	DWS757	M16 'U' Bolt	8	
5	DWS1322	Tine Mounting Beam	2	
6				
7				
8				
9				
10	22012016/300	M16x300 Bolt	8	



Machines prior to 2024

**3-Bodied Road Lighting Kit**



**2.24a****BX SERIES BEDFORMER SPARE PARTS**

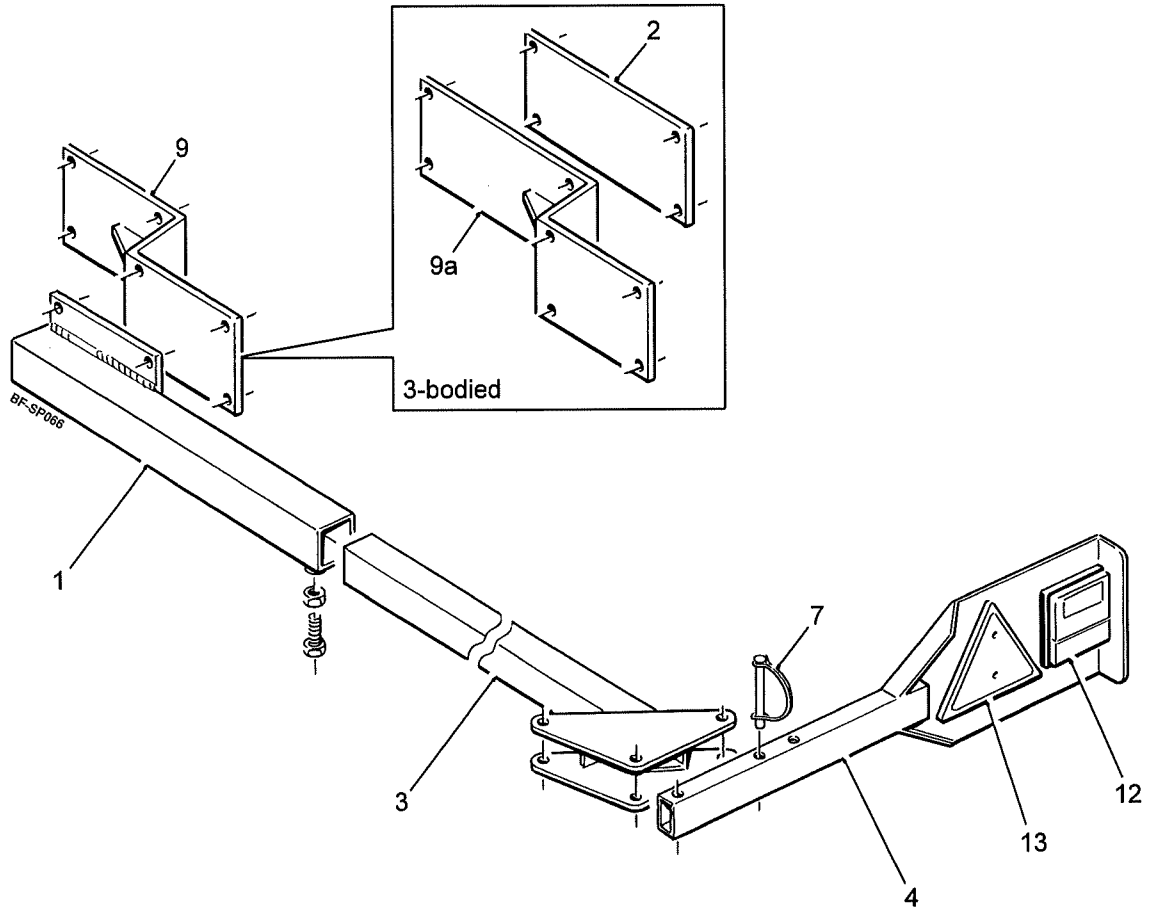
Machines prior to 2024

**3-Bodied Road Lighting Kit**

Item	Part No.	Description	Qty.	Remarks
1	10134	7 Pin Plug	1	
2				
3	11369	7 Core Cable	a/r	
4				
5	46438	Light Plate	2	
6				
7	62217A	LED Rear Light	2	
8				
9				
10				
11	DWS1324	LH Light Bracket	1	
12	DWS1325	RH Light Bracket	1	
13				
14				
15	RPE272.307748	Red Triangle Reflector	2	

Machines from 2024

**3 & 4-Bodied Road Lighting Kit**



Drawn as RH unit

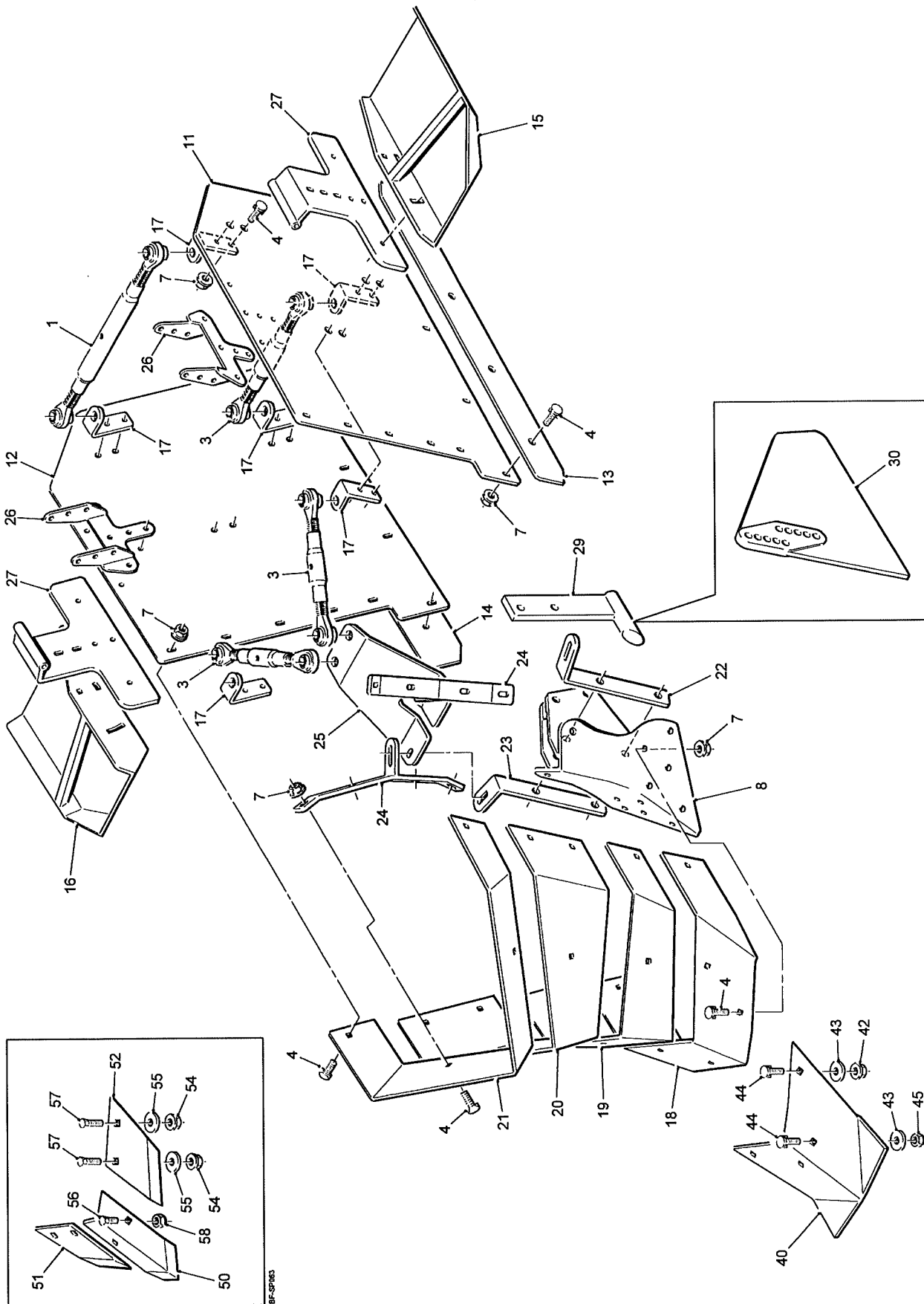
**2.25a****BX SERIES BEDFORMER SPARE PARTS**

Machines from 2024

**3 & 4-Bodied Road Lighting Kit**

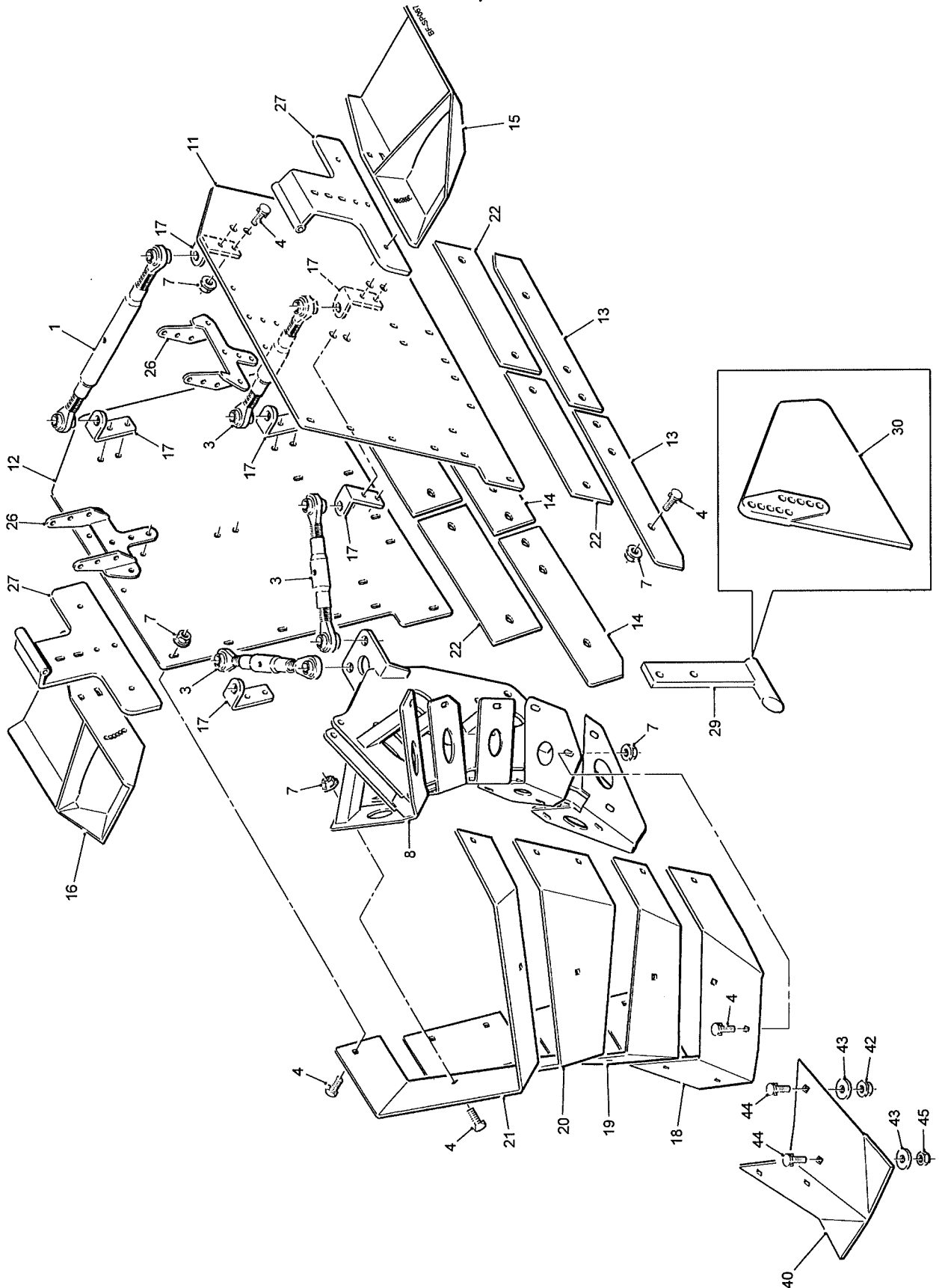
Item	Part No.	Description	Qty.	Remarks
1	DWS353	Mounting Bracket	2	
2	DWS354A	Clamp Plate	2	3-bodied only
3	DWS355	Mounting Arm	2	
4	DWS934A	Light Plate	2	
5	DWS357	Wiring Loom	1	(not shown)
6				
7	DWS1487	Ø11 Locking Pin	2	
8				
9	DWS716	Light Mounting Plate (short)	2	4-bodied only
9a	DWS716A	Light Mounting Plate (long)	2	3-bodied only
10				
12	62217A	LED Rear Light	2	
13	RPE272.307748	Red Triangle Reflector	2	

**Square Sided Furrower Assembly**  
Assy No DWS1415





**Square Sided Furrower Assembly**  
Assy No DWS1415

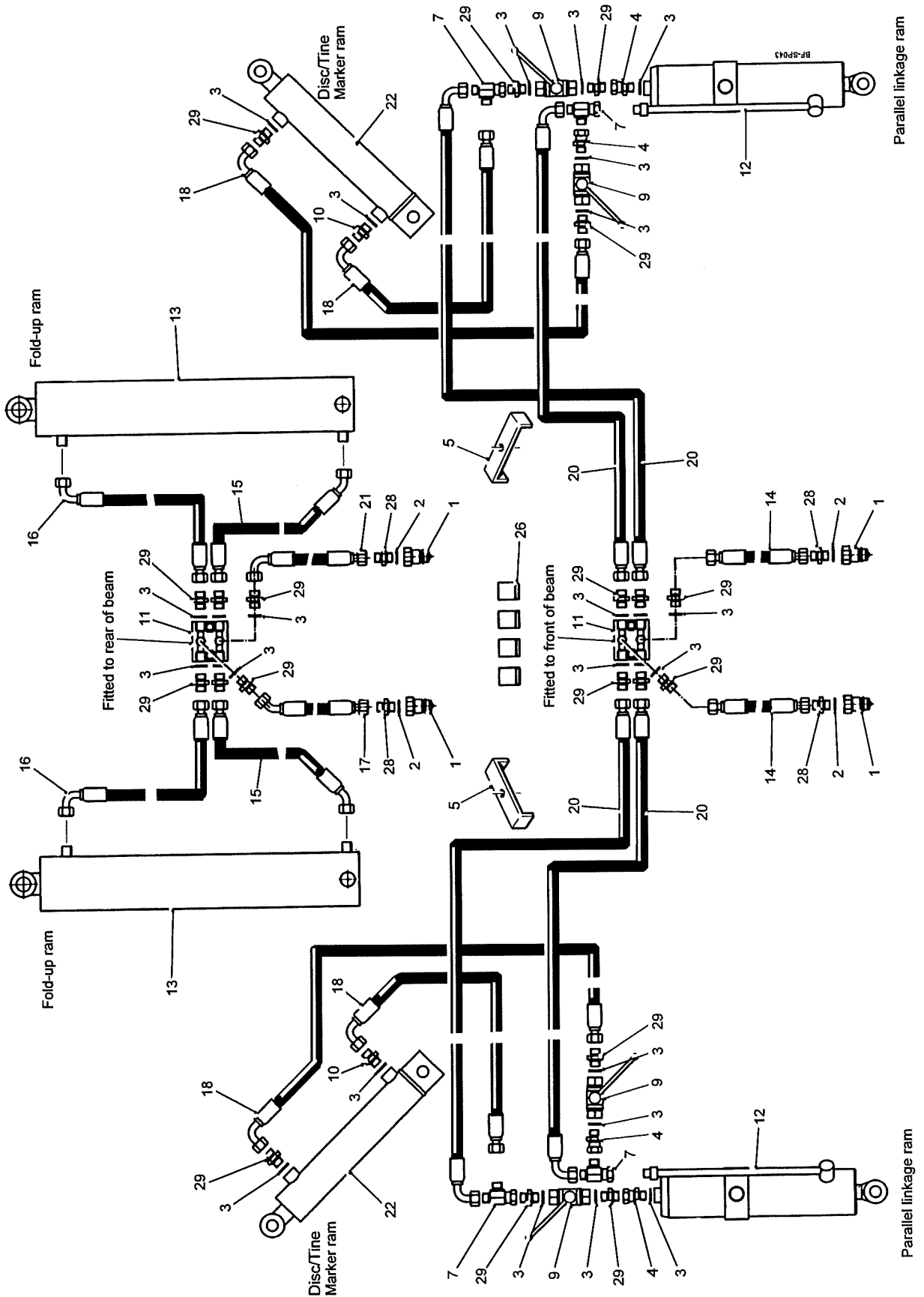






## 4-Bodyed Hydraulics (with combined fold-up rams)

Assy No DWS785



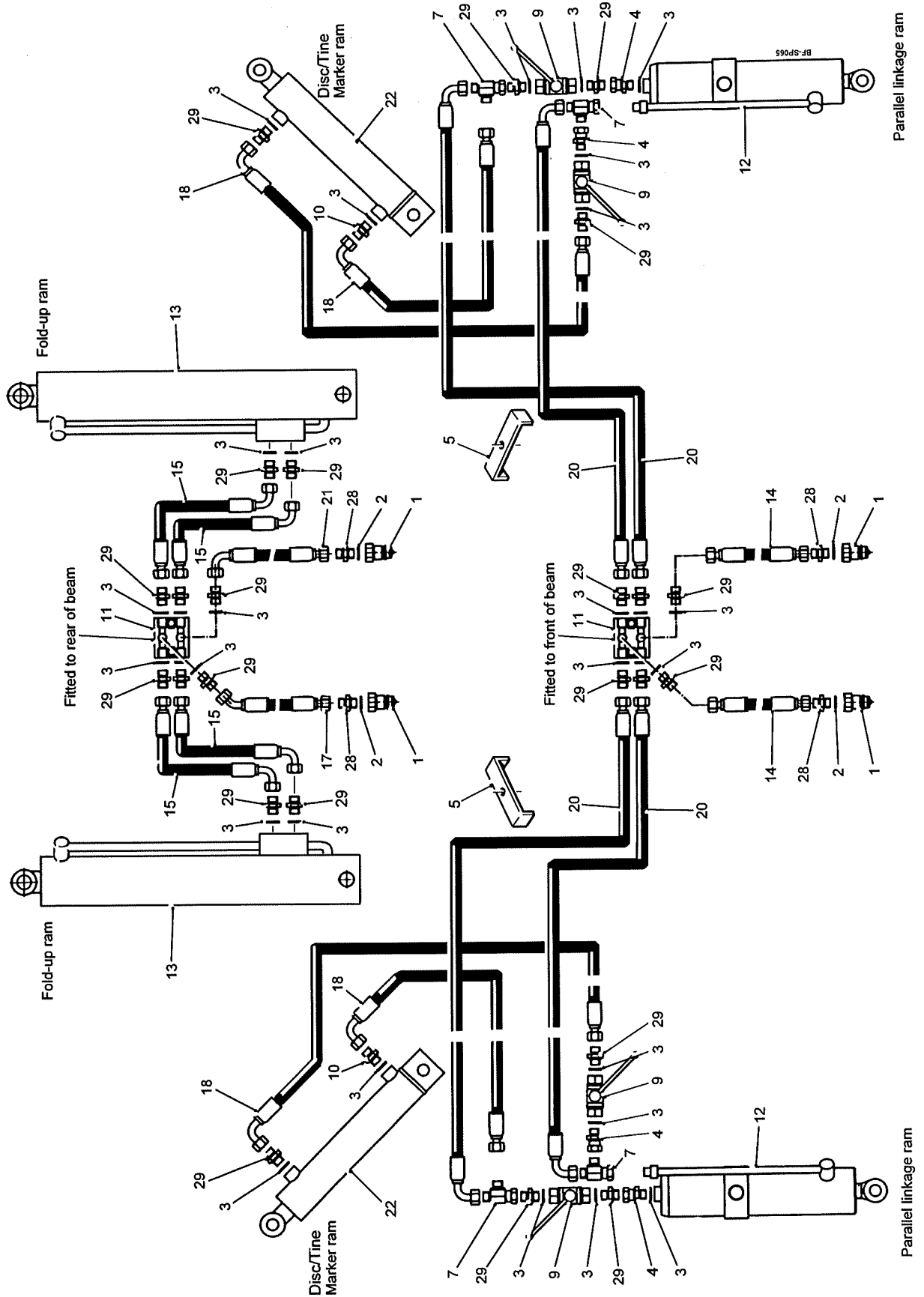
**2.27a****BX SERIES BEDFORMER SPARE PARTS****4-Bodied Hydraulics (with combined fold-up rams)****Assy No DWS785**

Item	Part No.	Description	Qty.	Remarks
1	10140	1/2"BSP Male Probe	4	
2	11124	1/2"BSP Dowty Seal	4	
3	11125	3/8"BSP Dowty Seal	26	
4	10128	3/8"BSP M F Swivel Adaptor	4	
5	DW802633	Hose Clamp	2	
6				
7	46939	3/8"BSP FMM Tee	4	
8				
9	DW202046270	3/8"BSP 2-Way Ball Valve	4	
10	DW222008066	3/8"BSP Restrictor	2	
11	DW801992	3/8"BSP Junction Block	2	
12	DW802509	Hydraulic Ram	2	
13	DW802590	Hydraulic Ram	2	
14	DW802591	3/8"Hose Assembly (2000mm)	2	
15	DW801307	3/8"Hose Assembly (460mm)	2	
16	DW802596	3/8"Hose Assembly (1000mm)	2	
17	DW802626	3/8"Hose Assembly (2000mm)	1	
18	DW802794	3/8"Hose Assembly (1110mm)	4	
19				
20	DW802796	3/8"Hose Assembly (3310mm)	4	80" work use 60479
21	DW802797	3/8"Hose Assembly (2000mm)	1	
22	DW802611	Hydraulic Ram	2	
23				
24				
25				
26	KA17316	1/2"Hose Anchor	4	
27				
28	UC25	1/2"BSPx3/8"BSP M M Adaptor	4	
29	UC31A	3/8"BSP M M Adaptor	20	

Machines from 2024

## 4 Bodied Hydraulics (with combined fold-up rams)

Assy No DWS785



**2.27a****BX SERIES BEDFORMER SPARE PARTS**

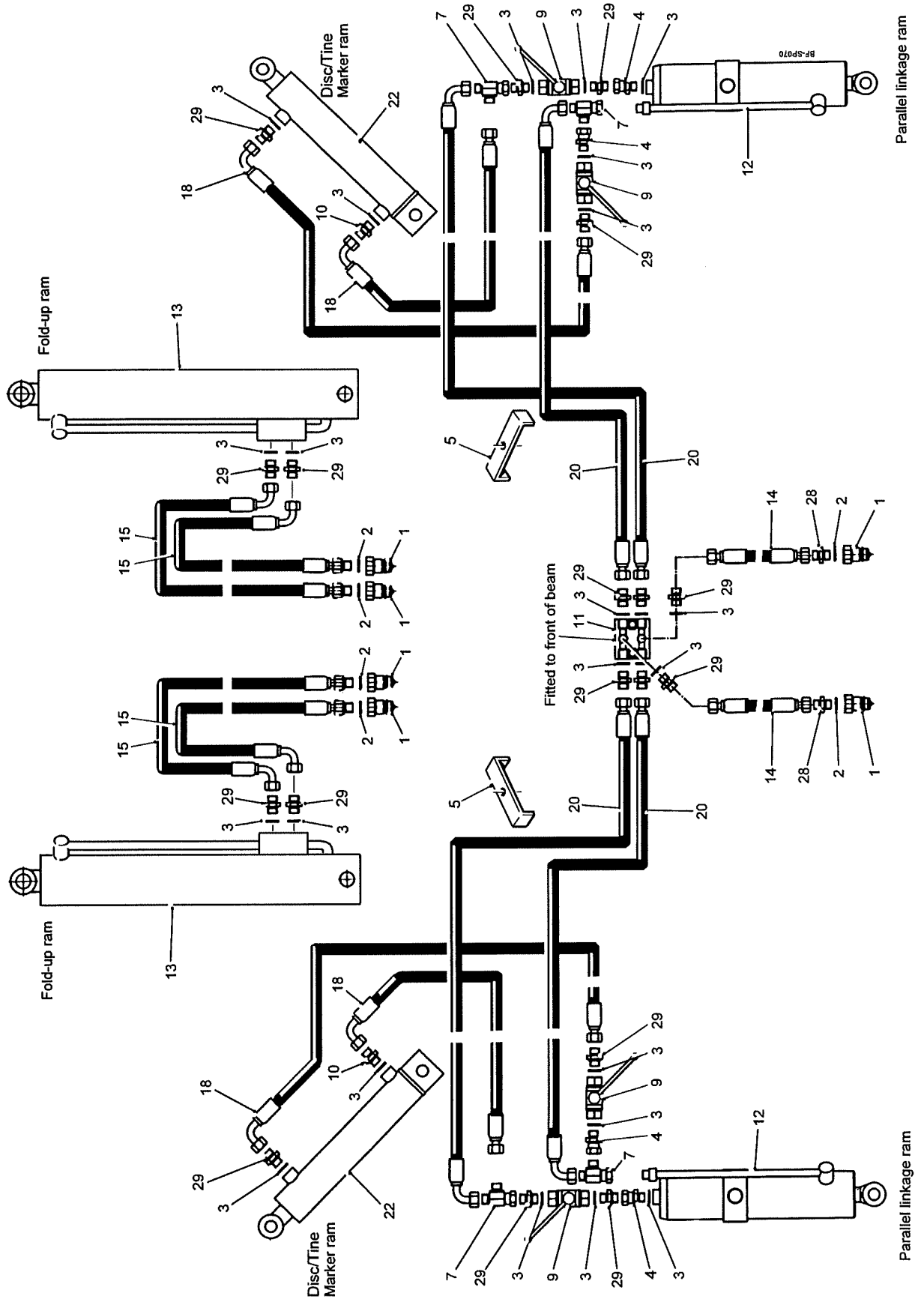
Machines from 2024

**4-Bodied Hydraulics (with combined fold-up rams)****Assy No DWS785**

Item	Part No.	Description	Qty.	Remarks
1	10140	1/2"BSP Male Probe	4	
2	11124	1/2"BSP Dowty Seal	4	
3	11125	3/8"BSP Dowty Seal	30	
4	10128	3/8"BSP M F Swivel Adaptor	4	
5	DW802633	Hose Clamp	2	
6				
7	46939	3/8"BSP FMM Tee	4	
8				
9	DW202046270	3/8"BSP 2-Way Ball Valve	4	
10	DW222008066	3/8"BSP Restrictor	2	
11	DW801992	3/8"BSP Junction Block	2	
12	DW802509	Hydraulic Ram	2	
13	DW802590	Hydraulic Ram	2	
14	DW802591	3/8"Hose Assembly (2000mm)	2	
15	60733	3/8"Hose Assembly (550mm)	4	
16				
17	DW802626	3/8"Hose Assembly (2000mm)	1	
18	DW802794	3/8"Hose Assembly (1110mm)	4	
19				
20	DW802796	3/8"Hose Assembly (3310mm)	4	80" work use 60479
21	DW802797	3/8"Hose Assembly (2000mm)	1	
22	DW802611	Hydraulic Ram	2	
23				
24				
25				
26				
27				
28	UC25	1/2"BSPx3/8"BSP M M Adaptor	4	
29	UC31A	3/8"BSP M M Adaptor	24	

## 4-Bodied Hydraulics (with independent fold-up rams)

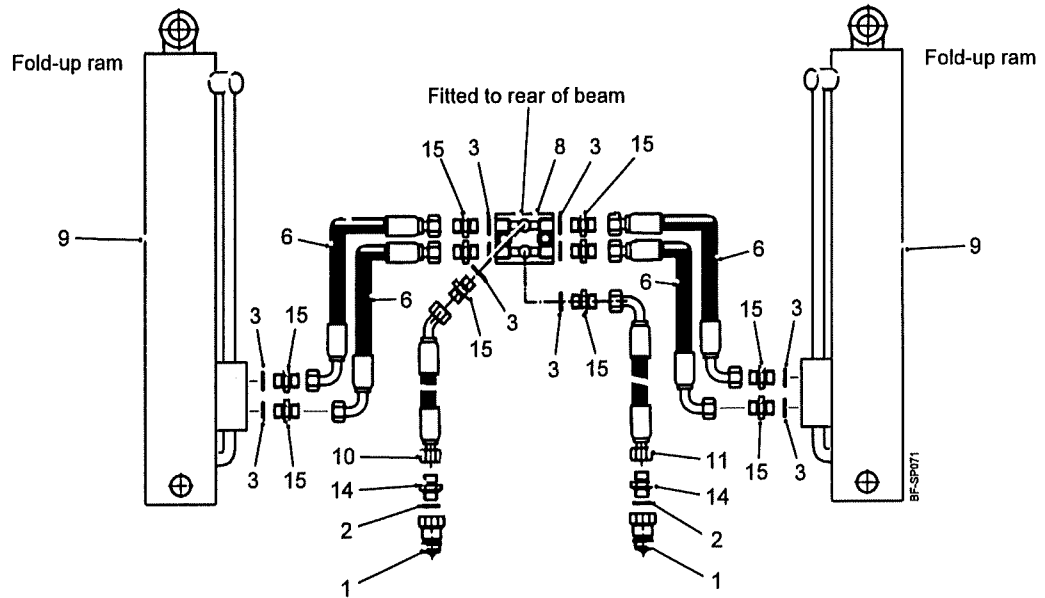
Assy No DWS1534



**2.28a****BX SERIES BEDFORMER SPARE PARTS****4-Bodied Hydraulics (with independent fold-up rams)****Assy No DWS1534**

Item	Part No.	Description	Qty.	Remarks
1	10140	1/2"BSP Male Probe	6	
2	11124	1/2"BSP Dowty Seal	6	
3	11125	3/8"BSP Dowty Seal	24	
4	10128	3/8"BSP M F Swivel Adaptor	4	
5	DW802633	Hose Clamp	2	
6				
7	46939	3/8"BSP FMM Tee	4	
8				
9	DW202046270	3/8"BSP 2-Way Ball Valve	4	
10	DW222008066	3/8"BSP Restrictor	2	
11	DW801992	3/8"BSP Junction Block	1	
12	DW802509	Hydraulic Ram	2	
13	DW802590	Hydraulic Ram	2	
14	DW802591	3/8"Hose Assembly (2000mm)	2	
15	71076	3/8"Hose Assembly (2500mm)	4	
16				
17				
18	DW802794	3/8"Hose Assembly (1110mm)	4	
19				
20	DW802796	3/8"Hose Assembly (3310mm)	4	80" work use 60479
21				
22	DW802611	Hydraulic Ram	2	
23				
24				
25				
26				
27				
28	UC25	1/2"BSPx3/8"BSP M M Adaptor	2	
29	UC31A	3/8"BSP M M Adaptor	14	

**3-Bodied Hydraulics (with combined fold-up rams)**

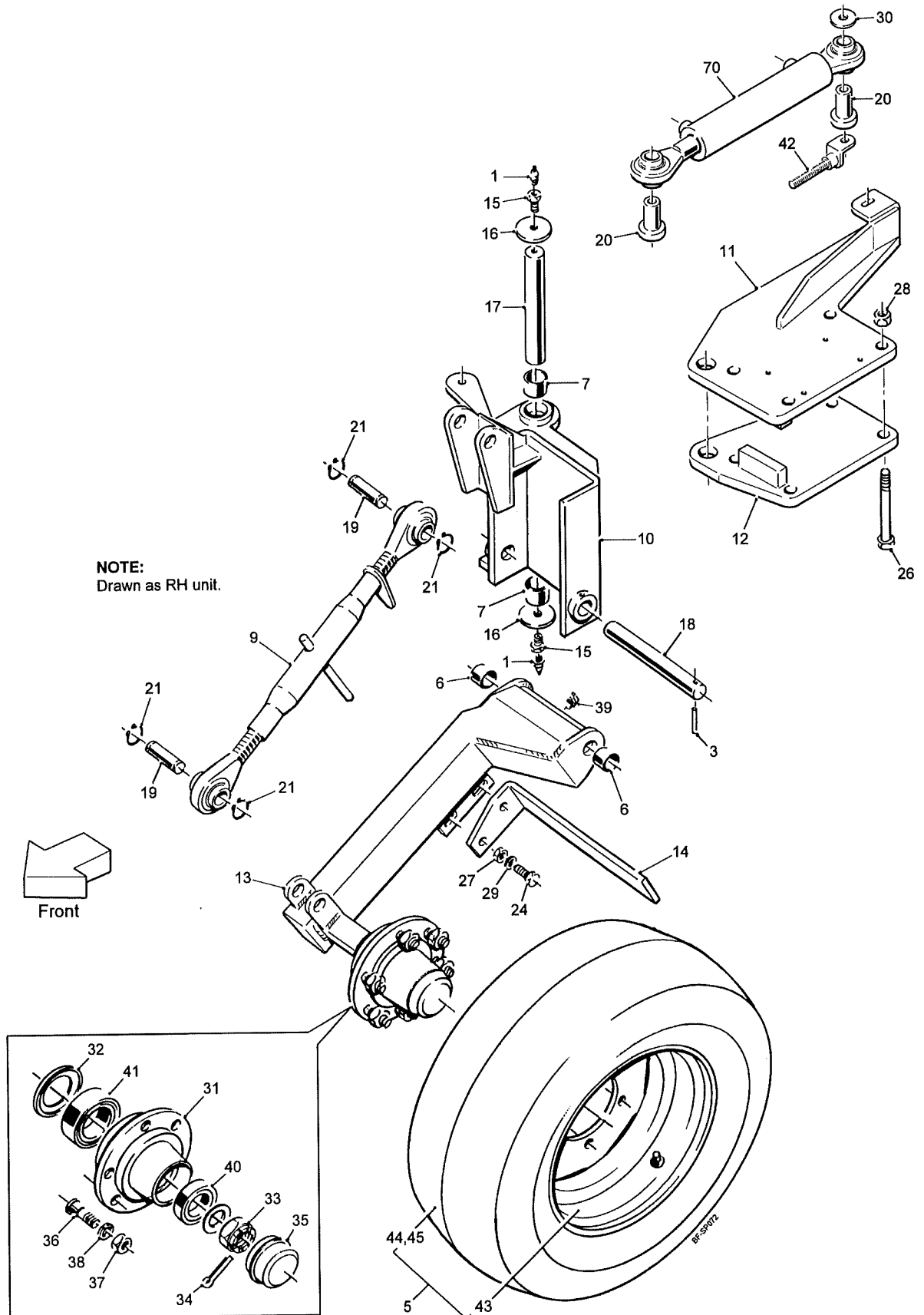


**2.29a****BX SERIES BEDFORMER SPARE PARTS****3-Bodied Hydraulics (with combined fold-up rams)**

Item	Part No.	Description	Qty.	Remarks
1	10140	1/2"BSP Male Probe	2	
2	11124	1/2"BSP Dowty Seal	2	
3	11125	3/8"BSP Dowty Seal	10	
4				
5				
6	60733	3/8"Hose Assembly (550mm)	4	
7				
8				
9	DW802590	Hydraulic Ram	2	
10	DW802626	3/8"Hose Assembly (2000mm)	1	
11	DW802797	3/8"Hose Assembly (2000mm)	1	
12				
13				
14	UC25	1/2"BSPx3/8"BSP M M Adaptor	2	
15	UC31A	3/8"BSP M M Adaptor	10	



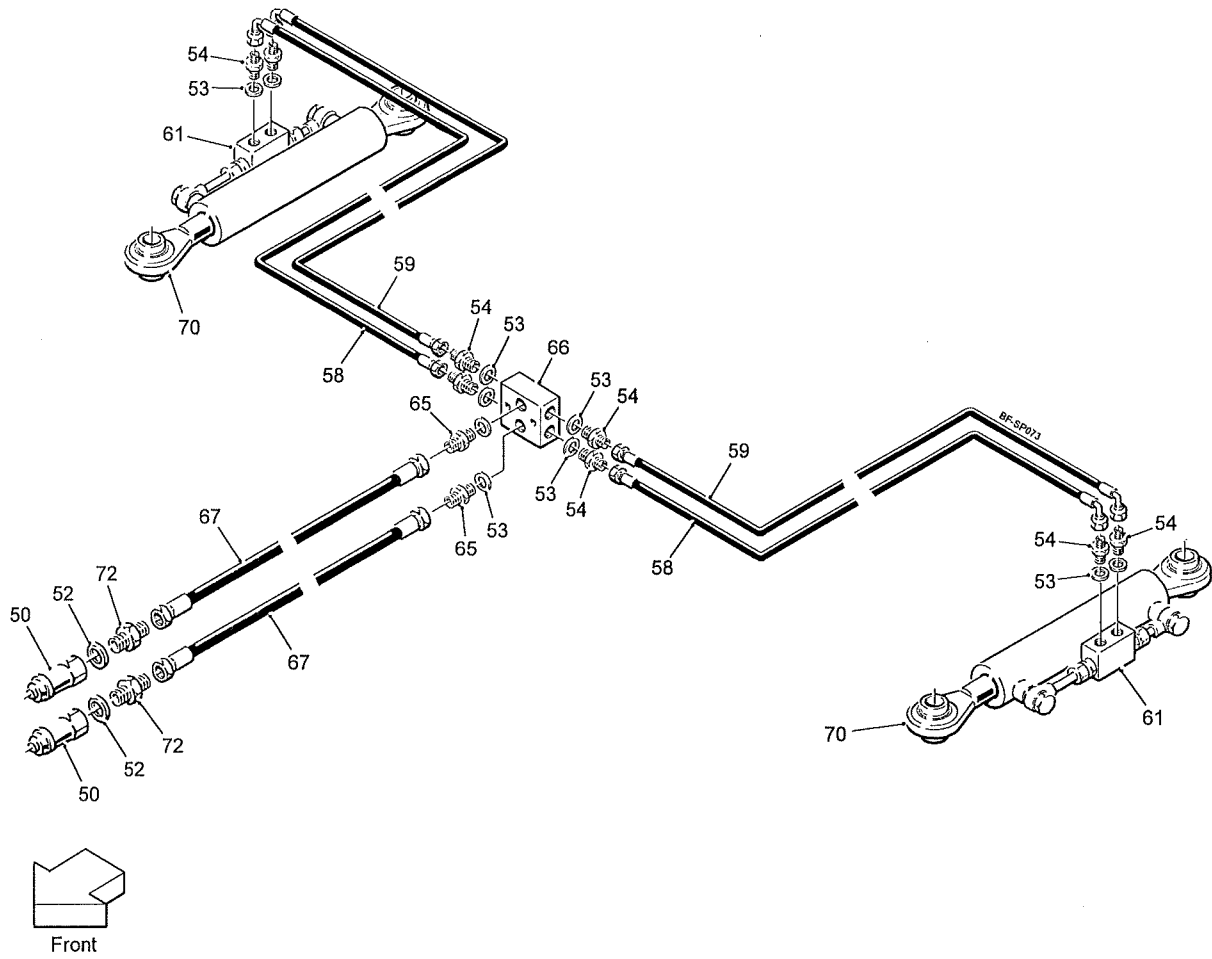
## 4-Bodied Depth Wheels (hydraulic folding) Assy No DWS789B



2.30a

# BX SERIES BEDFORMER SPARE PARTS

## 4-Bodied Depth Wheels (hydraulic folding) Assy No DWS789B



# BX SERIES BEDFORMER SPARE PARTS

2.30b

## 4-Bodied Depth Wheels (hydraulic folding)

Assy No DWS789B

Item	Part No.	Description	Qty.	Remarks
1	DW202030870	M6 Grease Nipple	7	
2				
3	DW208012690	Ø8x50 Roll Pin	2	
4				
5	DW209055880	Wheel Complete	2	(see list at end)
6	DW253034303	Bush	4	
7	DW254044300	Bush	4	
8				
9	DW208007980	Top Link Complete	2	
10	DWS755B	RH Bracket	1	
	DWS754B	LH Bracket	1	(not shown)
11	DWS749C	RH Upper Plate	1	
	DWS748C	LH Upper Plate	1	(not shown)
12	DWS753B	RH Lower Plate	1	
	DWS752B	LH Lower Plate	1	(not shown)
13	DWS718	RH Wheel Arm and Hub Complete	1	
	DWS717	LH Wheel Arm and Hub Complete	1	(not shown)
14	DW802845	RH Wheel Scraper	1	
	DW802846	LH Wheel Scraper	1	(not shown)
15	DW802847	Screw	4	
16	DW802848	Pivot Washer	4	
17	DW802849	Vertical Pin	2	
18	DW802850	Wheel Arm Pivot	2	
19	DWS723	Pin	4	
20	DWS1291	Ram Pin	2	
21	PS843	Ø25 External Circlip	8	
22				
23				
24	22012016/055	M16x55 Bolt	4	
25				
26	22012020/220	M20x220 Bolt	8	
27	22041016	M16 Nyloc Nut	4	
28	22041020	M20 Nyloc Nut	8	
29	22046016C	M16 Flat Washer	4	
30	SS040013/003	Steel Spacer	2	
31	DW802842/1	Hub	2	
32	DW802842/2	Retaining Ring	2	
33	DW802842/3	Castellated Nut	2	
34	DW802842/4	Split Pin	2	
35	DW802842/5	Hub Cap	2	
36	DW802842/6	M18 Wheel Stud	12	
37	DW802842/7	M18 Wheel Nut	12	
38	DW802842/8	Washer	12	
39	RPC648.061002	M6 90°Grease Nipple	1	
40	TH00500304	Outer Bearing	2	
41	TH00500307	Inner Bearing	2	
42	RPA610.304444	Adjuster	2	
	<b>DW209055880</b>	<b>Wheel Complete Consists Of:</b>		
43	DW209028220	Rim	1	
44	DW209058520	Tyre	1	
45	DW209061130	Tube	1	

**2.30c****BX SERIES BEDFORMER SPARE PARTS****4-Bodied Depth Wheels (hydraulic folding)**

Assy No DWS789B

Item	Part No.	Description	Qty.	Remarks
50	10140	<b>Hydraulic Components Consist Of:</b> 1/2"BSP Probe	1	
51				
52	11124	1/2"BSP Dowty Seal	2	
53	11125	3/8"BSP Dowty Seal	10	
54	11336	1/4"BSPx3/8"BSP M M Adaptor	8	
55				
56				
57				
58	46255	1/4"Hose Assembly (3000mm)	2	
59	46257	1/4"Hose Assembly (2900mm)	2	
60				
61	57115	Check Valve & Banjo Assembly	2	
62				
63				
64				
65	DW222008066	3/8"BSP M M Restrictor (Ø1.6mm)	2	
66	DW801992	3/8"BSP Junction Block	1	
67	DW802591	3/8"Hose Assembly (2000mm)	2	
68				
69				
70	DWS939	Hydraulic Ram	2	
71				
72	UC25	1/2"BSPx3/8"BSP M M Adaptor	2	